



## Carriage Drive Parts

### Belt

1 C7769-60182 Carriage belt (24-inch)

### Bracket/Guide

C7769-60170 Left cutter guide bracket and left encoder holder kit

### Cable Kit

3 C7769-60305 Carriage assembly trailing cable kit - Includes installation instructions, trailing cables, two mounting clips, and a ferrite - Cables are 1.4m (4.7ft) long with 30 pin (M) edge connectors - For 24-inch models

### Carriage

4 C7769-60272 Printhead carriage assembly - Includes carriage, bushings, pen latches, carriage position sensor, and line sensor

### Motor

5 C7769-60146 Carriage (scan-axis) motor assembly - Includes cable

### Strip

6 C7769-60183 Encoder strip (24-inch)

### Tensioner

7 C7769-60176 Belt tensioner kit - Keeps carriage belt tight - Includes pulley and pulley mount bracket

## Cutter Assembly Parts

### Bracket/Guide

C7769-60170 Left cutter guide bracket and left encoder holder kit

### Bushing

9 C7769-60169 Cutter bushing

### Cutter

10 C7769-60163 Cutter assembly

### Guide

11 C7769-60179 Cutter guide - Long rail installed near the pinch wheels

## Electronic Accessories

### Cable (Interface)

8120-8485 Universal Serial Bus (USB) interface cable - Type 'A' connector to type 'B' connector, 1.8m (6.0 ft) long

C2392A Universal serial bus (USB) interface cable - Type 'A' connector to type 'B' connector - 5.0m (16ft) long

### Interface (Product)

14 J3110A Ethernet 10Base-T (RJ-45) EIO network internal print server PC board

15 J3111A Ethernet 10Base-T/10Base2 and LocalTalk (RJ-45, BNC, LocalTalk) EIO network PCA

16 J3112A JetDirect 600N token ring LAN interface board - DB-9 and RJ-45 connectors  
NO LONGER SUPPLIED

17 J3113A JetDirect 600N internal print server (10Base-T and 100Base-TX) LAN interface board - Plugs into peripheral EIO slot

J3258B External JetDirect 170X LAN interface module - Interfaces a parallel printer to an ethernet 10Base-T (RJ-45) LAN

J3263A External JetDirect 300X LAN interface module - Interfaces a parallel printer to an ethernet 10Base-T (RJ-45) or 100Base-TX (RJ-45) LAN

J3264A External JetDirect 500X token ring interface module - Interfaces up to 3 parallel printers to a token ring (DB-9 or RJ-45) LAN

J3265A External JetDirect 500X LAN interface module - Interfaces up to 3 parallel printers to an ethernet 10Base-T (RJ-45), 10Base2 (BNC), or 100Base-TX (RJ-45) LAN

22 J4167A JetDirect 610N token ring LAN interface board - DB-9 and RJ-45 connectors

23 J4169A JetDirect 610N internal print server (10Base-T and 100Base-TX) LAN interface board - Plugs into peripheral EIO slot - Has a RJ-45 connector - Comes with software on CD-ROM and manual

J6057A JetDirect 615N internal print server (10Base-T and 100Base-TX) LAN interface board - Plugs into peripheral EIO slot - Has a RJ-45 connector - Comes with software on CD-ROM and manual

J6057AR JetDirect 615N internal print server (10Base-T and 100Base-TX) LAN interface board - Plugs into peripheral EIO slot - Has a RJ-45 connector - Comes with software on CD-ROM and manual



## Electronic Accessories

### Memory (Product)

- 26 C2387A 64MB SO-DIMM memory module
- 27 C2388A 128MB SO-DIMM memory module

### PC Board (Interface)

- 28 J3110-69001 JetDirect 600N EIO internal print server 10Base-T LAN interface board - Has one RJ-45 connector - (J3110A) - NOTE: EIO Interface Boards are NOT Interchangeable with MIO Boards  
*J6057-69001 New Part for J3110-69001*
- 29 J3111-69001 JetDirect 600N EIO internal print server 10Base-T, 10BASE-2, and LocalTalk LAN interface board - Has one RJ-45, BNC, and 8-pin DIN connector - (J3111A) - NOTE: EIO interface boards are NOT interchangeable with MIO boards REQUIRES RETURN OF DEFECTIVE PART  
*J3111-61001 New Part for J3111-69001*
- 30 J3112-69001 JetDirect 600N EIO internal print server token ring LAN interface board - Has one RJ-45 and DB-9 connector  
*J4167-69001 New Part for J3112-69001*
- 31 J3113-69001 JetDirect 600N EIO internal print server 10Base-T and 100Base-T LAN interface board - Has one RJ-45 connector
- 32 J4169-69001 JetDirect 610N internal print server 10Base-T and 100Base-T LAN interface board - Has one RJ-45 connector  
*J6057-69001 New Part for J4169-69001*

### Upgrade Kit

- 33 C7772A Formatter upgrade kit - Adds HP-GL/2 and RTL support and a slot for an additional memory module - Plugs into an EIO card slot

## Electronics/Power Supply

### Cable Kit

- 34 C7769-60298 Ribbon cable kit - Includes installation instructions and ribbon cable with ferrite - Cable has 40 pin (F) connectors - 1.6m (5.1ft) long

### Control Panel

- 35 C7769-60161 Control panel assembly - Includes ribbon cable and english overlay marked with 'Menu', 'Back', 'Enter', 'Cancel', and 'Form feed and cut'

### Fan

- 36 C7769-60150 Vacuum fan assembly - Installed under the main printer chassis

### Memory (DIMM)

- 37 C7769-60244 64MB SO-DIMM memory module - Can be Installed ONLY into the Formatter Board
- 38 C7769-60245 128MB SO-DIMM memory module - Can be Installed ONLY into the Formatter Board

### Module

- 39 C7779-69144 Electronics module - Contains main logic board, connectors for plug-in cards, connector for parallel interface cable, connector for USB cable, and cooling fan  
REQUIRES RETURN OF DEFECTIVE PART  
*C7779-60144 New Part for C7779-69144*

### PC Board

- 40 C7769-60173 Interconnect PC board - Installed in right-side of printer
- 41 C7769-69260 HP-GL/2 and RTL formatter PC board  
REQUIRES RETURN OF DEFECTIVE PART  
*C7769-60260 New Part for C7769-69260*

### PC Board (Interface)

- 42 J3113-69001 JetDirect 600N EIO internal print server 10Base-T and 100Base-T LAN interface board - Has one RJ-45 connector

### Power Cord

- 8120-0698 Power cord (Black) - 18 AWG, 2.3m (7.5ft) long - Has straight (F) receptacle (For 220V/240V in the USA and Canada)
- 8120-1351 Power cord (Mint Gray) - 17 AWG, 2.3m (7.5ft) long - Has straight (F) receptacle (For 240V in the UK, Hong Kong, Singapore, Malaysia, and Brunei)
- 8120-1369 Power cord (Mint Gray) - 17 AWG, 2.0m (6.6ft) long - Has straight (F) receptacle (For 240V in Australia, New Zealand, and China)



## Electronics/Power Supply

### Power Cord

8120-1378	Power cord (Jade Gray) - 18 AWG, 2.3m (7.5ft) long - Has straight (F) receptacle (For 120V in USA, Canada, Latin America, Korea, Taiwan, Thailand, Spain, Brazil, and Vietnam)
8120-1689	Power cord (Mint Gray) - 17 AWG, 2.0m (6.6ft) long - Has straight (F) receptacle (For 220V in Europe, Bangladesh, Indonesia, Pakistan, Burma, Sri Lanka, and Vietnam)
8120-2104	Power cord (Mint Gray) - 2.0m (6.6ft) long - Has straight (F) receptacle (For 220V in Switzerland)
8120-2956	Power cord (Mint Gray) - 2.0m (6.6ft) long - Has straight (F) receptacle (For 220V in Denmark)
8120-4211	Power cord (Mint Gray) - 17 AWG, 2.0m (6.6ft) long - Has straight (F) receptacle (For 240V in South Africa and India)

### Power Supply

51 C7769-60145	Power supply assembly - Includes power switch
----------------	---

### Sensor

52 C7769-60168	Media sensor - Installed in the front of the rear platen
53 C7769-60172	Drive roller encoder sensor - Installed on left end of paper drive roller
54 C7769-60194	Pincharm sensor - Installed in right front of print chassis

### Service Station

55 C7769-60149	Service station - Includes wipers, pen caps, and the right hand spittoon - Installed in Right Side of Printer
----------------	---

## Optional Interfaces

### Power Cord

8120-1351	Power cord (Mint Gray) - 17 AWG, 2.3m (7.5ft) long - Has straight (F) receptacle (For 240V in the UK, Hong Kong, Singapore, Malaysia, and Brunei)
8120-1369	Power cord (Mint Gray) - 17 AWG, 2.0m (6.6ft) long - Has straight (F) receptacle (For 240V in Australia, New Zealand, and China)
8120-1378	Power cord (Jade Gray) - 18 AWG, 2.3m (7.5ft) long - Has straight (F) receptacle (For 120V in USA, Canada, Latin America, Korea, Taiwan, Thailand, Spain, Brazil, and Vietnam)
8120-1689	Power cord (Mint Gray) - 17 AWG, 2.0m (6.6ft) long - Has straight (F) receptacle (For 220V in Europe, Bangladesh, Indonesia, Pakistan, Burma, Sri Lanka, and Vietnam)
8120-2104	Power cord (Mint Gray) - 2.0m (6.6ft) long - Has straight (F) receptacle (For 220V in Switzerland)
8120-2956	Power cord (Mint Gray) - 2.0m (6.6ft) long - Has straight (F) receptacle (For 220V in Denmark)

## Other Accessories

### CD-ROM (Support)

C7769-90066	DesignJet support CD ROM - Version A.04.01 - Has product information, user's manuals, service manuals, diagnostic software, test drawings, newsletters, and service notes
C7769-90221	DesignJet 500/800 series interactive support CD-ROM

### Cartridge

C4844-60053	No. 10 High Capacity Black Ink Cartridge (Holds 69ml of Ink)
C4844A	No. 10 high capacity Black ink cartridge (holds 69ml of ink) - Prints approximately 1400 pages at 5% printing density (USA)
C4844AA	No.10 high capacity Black ink cartridge (holds 69ml of ink) - Prints approximately 1400 pages at 5% printing density (for Asia/Pacific)
C4844AE	No.10 high capacity Black ink cartridge (holds 69ml of ink) - Prints approximately 1400 pages at 5% printing density (for Europe)
C4844AL	No.10 high capacity Black ink cartridge (holds 69ml of ink) - Prints approximately 1400 pages at 5% printing density (for Latin America)
C4911-61002	No.82 standard capacity cyan ink cartridge (69ml)
C4911A	No.82 standard capacity cyan ink cartridge (69ml ink)
C4912-61003	No.82 standard capacity magenta ink cartridge (69ml)
C4912A	No.82 standard capacity magenta ink cartridge (69ml ink)
C4913-61003	No.82 standard capacity yellow ink cartridge (69ml)



### Other Accessories

#### Cartridge

C4913A No.82 standard capacity yellow ink cartridge (69ml)

#### Printhead

C4810-60066 No. 11 Black Ink Printhead  
C4810A No. 11 Black ink printhead  
C4810-60067 No.11 cyan ink printhead  
C4811A No. 11 Cyan ink printhead  
C4812-60005 No.11 magenta ink printhead  
C4812A No. 11 Magenta ink printhead  
C4813-60004 No.11 yellow ink printhead  
C4813A No. 11 Yellow ink printhead

#### Return Kit

5183-5269 Return kit with box and instructions - For returning defective TIJ 3.0 printheads covered under the CREW program

### Other External Parts

#### Cover

84 C7769-60154 Top cover assembly (Gray)  
85 C7769-60158 Left end cover and EIO cover (Gray)  
86 C7769-60159 Right end cover (Gray)

#### Deflector Kit

87 C7769-60283 Media deflector kit - Kit includes 3 deflectors

#### Overlay

88 C7769-60111 Front panel overlay (English)  
89 C7769-60112 Front panel overlay (Korean)  
90 C7769-60113 Front panel overlay (Taiwanese)  
91 C7769-60114 Front panel overlay (German)  
92 C7769-60115 Front panel overlay (French)  
93 C7769-60116 Front panel overlay (Spanish)  
94 C7769-60117 Front panel overlay (Italian)  
95 C7769-60118 Front panel overlay (Japanese)  
96 C7769-60119 Front panel overlay (Portuguese)  
97 C7769-60120 Front panel overlay (Chinese)

#### Platen

98 C7769-60155 Back Platen Assembly - Curved cover/guide that is installed below the paper drive roller (24-inch)  
99 C7769-60174 Front Platen Kit - Includes platens for both the 24 inch and the 42 inch models

#### Trim Kit

100 C7769-60160 Trim kit - Installed between the main printer chassis and the left or right end covers (4 items in kit)

### Other Internal Parts

#### Bracket

101 C7769-60156 Service Station Bracket - Installed on right-side of service station

#### Cover

102 C7769-60171 Cover kit for drive roller encoder sensor

#### Ink Supply Station

103 C7769-60148 Ink Supply Station (ISS) - Includes ink pump motor, pump sensor, and out-of-ink sensors



## Other Internal Parts

### Ink Tubes Assembly

- 104 C7769-60256 Ink tubes assembly - Includes 4 ink tubes complete with hardware assemblies at both ends (Carriage crane and ink supply station crane), and 4 setup pens

### Printhead

- 105 C7769-60164 Setup Printhead kit - Used to prime the ink tubes - Includes 4 setup printheads

### Service Station

- 106 C7769-60149 Service station - Includes wipers, pen caps, and the right hand spittoon - Installed in Right Side of Printer

### Spittoon

- 107 C7769-60165 Left spittoon assembly - Contains absorbers which hold excess ink from printheads

## Paper Drive Parts

### Gear Assembly

- 159 C7769-60177 Paper drive transmission gear kit - Includes 2 gears used to drive the paper drive roller

### Lifter

- 160 C7769-60181 Pincharm lift mechanism - Includes cam (a long bar) , cam bushings, pincharm lever, pincharm lever bushing

### Motor

- 161 C7769-60152 Paper axis motor assembly - Includes cables

### Pincharm

- 162 C7769-60175 Pincharm assembly with wheels

### Roller

- 163 C7769-60276 Paper drive roller kit - Includes roller assembly, bushings, gear on roller, transmission gear kit, encoder disc, end thrust (Axial) spring, lint free cloth, rubber glove, and instruction sheets - For 24-inch model

## Paper and Other Media

### Canvas

- Q1696A Canvas Matte - 137.2cm (54in) x 10.7m (35ft) (USA)

### Film (Clear)

- C3876A Clear film (4 mil) - 61cm (24in) x 22.9m (75ft) roll

### Film (Cling)

- Q1914A Two View Cling film - 91.4cm (36in) x 22.9m (75ft)

- Q1915A Two View Cling film - 106.7cm (42in) x 22.9m (75ft)

### Film (Matte)

- C7909A Double Matte Eraseable Film - 61cm (24in) x 38.1m (125ft) (USA)

- 51642A Polyester matte film - 61cm (24in) x 36.6m (120ft) roll

### Paper

- C7923A Basic Heavyweight Paper - 61cm (24in) x 30.5m (100ft) (USA and Asia/Pacific)

- C7929A Super Heavyweight Paper - 61cm (24in) x 22.9m (75ft) (USA and Asia/Pacific)

- Q1396A Universal Bond Paper - 61cm (24in) x 30.5m (100ft)

- Q1903A Polypropylene with Matte finish - 91.4cm (36in) x 22.9m (75ft)

- Q1904A Polypropylene with Matte finish - 106.7cm (42in) x 22.9m (75ft)

- Q1906A Polypropylene with Matte finish - 137.2cm (54in) x 22.9m (75ft)

- Q1907A Polypropylene with Matte finish - 152.4cm (60in) x 22.9m (75ft)

- Q1908A Polypropylene Adhesive Back print media - 91.4cm (36in) x 21.3m (70ft)

### Paper (Banner)

- C6786A Banner paper with Tyvek (140 gsm) - UV ink only - 61cm (24in) x 15.2m (50ft) roll  
NO LONGER SUPPLIED

- Q1898A Scrim Banner - 91.4cm (36in) x 15.2m (50ft)



## Paper and Other Media

### Paper (Bright White)

C1860A Bright white InkJet paper - 61cm (24in) x 45.7m (150ft) roll

### Paper (Coated)

C8281A Basic Coated Paper - 61cm (24in) x 45.7m (150ft) (USA and Asia/Pacific)  
Q1412A Universal Heavyweight Coated paper - 61cm (24in) x 30.5m (100ft)  
Q1413A Universal Heavyweight Coated Paper - 91.4cm (36in) x 30.5m (100ft)  
Q1416A Heavyweight Coated Paper - 152.4cm (60in) x 30.5m (100ft)  
Q1961A Coated Paper - Architectural C size (18 x 24-inches) - 100 sheets  
Q1962A Coated Paper - Architectural D size (24 x 36-inches) - 100 sheets  
C6019B Coated paper (98 gsm) - 61cm (24in) x 45.7m (150ft) roll (USA, Canada, and Latin America)  
C6021B Heavyweight coated paper - 61cm (24in) x 30.5m (100ft) roll (USA, Canada, and Latin America)  
NO LONGER SUPPLIED  
C6029C Heavyweight coated paper - 61cm (24in) x 30.5m (100ft) roll - For regular or UV resistant ink

### Paper (Glossy)

C8315A High Gloss Photo Paper - 61cm (24in) x 30.5m (100ft) (USA and Asia/Pacific)  
Q1426A Universal High-Gloss Photo Paper - 61cm (24in) x 30.5m (100ft)  
Q1427A Universal High-Gloss Photo Paper - 91.4cm (36in) x 30.5m (100ft)  
Q1428A Universal High-Gloss Photo Paper - 106.7cm (42in) x 30.5m (100ft)  
Q1429A Universal High-Gloss Photo Paper - 137.2cm (54in) x 30.5m (100ft)  
Q1430A Universal High-Gloss Photo Paper - 152.4cm (60in) x 30.5m (100ft)  
Q1963A Proofing Gloss Paper - Architectural C size (18 x 24-inches) - 50 sheets  
Q1964A Proofing Gloss Paper - Architectural D size (24 x 36-inches) - 50 sheets  
Q1965A Proofing Gloss paper - 61cm (24in) x 30.5m (100ft)  
Q1970A Glossy Proofing Paper - 33.0 cm (13in) x 48.3cm (19in)  
C3882A High gloss photo paper - 61cm (24in) x 30.5m (100ft) roll  
C6025A High gloss photo paper - 61cm (24in) x 30.5m (100ft) roll (USA, Canada, and Latin America)

### Paper (Photo)

C6813A High gloss photo paper - 61cm (24in) x 30.5m (100ft) roll  
C8310A Basic Photo Satin paper - 61cm (24in) x 30.5m (100ft) (USA and Asia/Pacific)  
Q1420A Semi-Gloss Photo Paper - 61cm (24in) x 30.5m (100ft)  
Q1421A Semi-Gloss Photo Paper - 91.4cm (36in) x 30.5m (100ft)  
Q1422A Semi-Gloss Photo Paper - 106.7cm (42in) x 30.5m (100ft)  
Q1424A Semi-Gloss Photo Paper - 152.4cm (60in) x 30.5m (100ft)

### Paper (Semi-Glossy)

C6023A Semi-gloss photo paper - 61cm (24in) x 30.5m (100ft) roll (USA, Canada, and Latin America)  
Q1423A Semi-Gloss Photo Paper - 137.2cm (54in) x 30.5m (100ft)  
C3884A Semi-gloss photo paper - 61cm (24in) x 30.5m (100ft) roll  
NO LONGER SUPPLIED  
C6782A Paper based semi-gloss media - 61cm (24in) x 30.5m (100ft) roll  
NO LONGER SUPPLIED

### Paper (Tracing)

C3869A Natural tracing paper - 61cm (24in) x 45.7m (150ft) roll

### Paper (Translucent)

C3860A Translucent bond paper - 61cm (24in) x 45.7m (150ft) roll



## Paper and Other Media

### Vellum

C3862A Vellum - 61cm (24in) x 45.7m (150ft) roll

## Roll Feed Assembly Parts

### Mount Kit

164 C7769-60162 Rollfeed mount kit - Includes left and right housing

### Spindle Kit

165 C2389A 24-inch rollfeed spindle rod assembly for DesignJet 500/800 series - Includes spindle, hubs, and end caps

166 C7769-60242 24-inch rollfeed spindle rod assembly - Includes spindle, hubs, and end caps

## Stand Parts

### Bin

167 C7782-60001 Media bin (Flint gray) - Plastic tray that mounts to the printer stand legs

C7781-60007 *New Part for C7782-60001*

### Brace

168 C7769-60219 Foot brace

### Cross-Brace

169 C7781-60004 Cross-brace - Main structure that extends between stand legs

### Foot

170 C7770-60022 Foot assembly (includes casters)

### Hardware Kit

171 C7770-60018 Hardware kit for printer stand - Includes screwdriver and screws

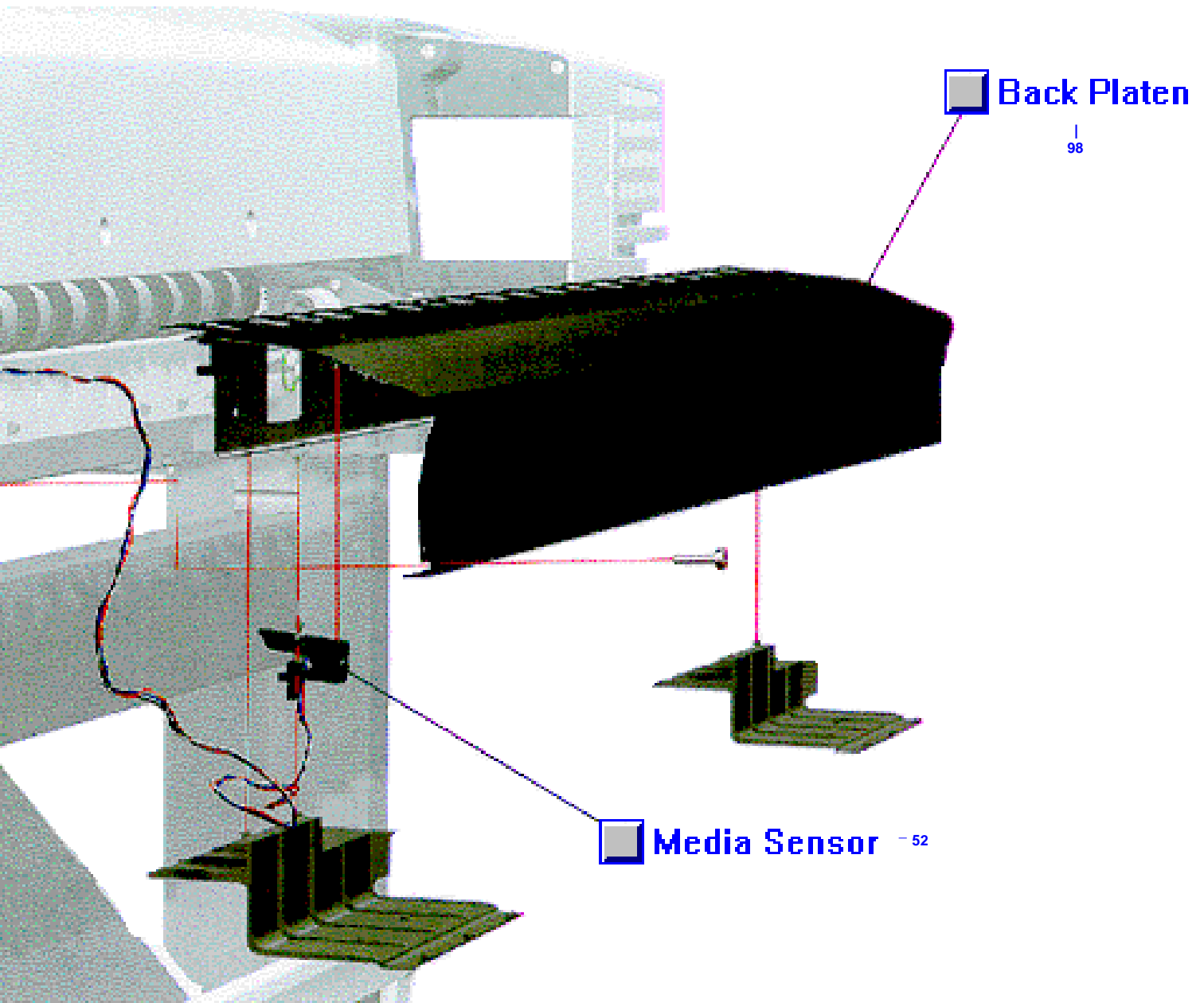
### Leg

172 C7770-60021 Leg assembly - Side support for the printer - Does NOT include the foot assembly

### Stand

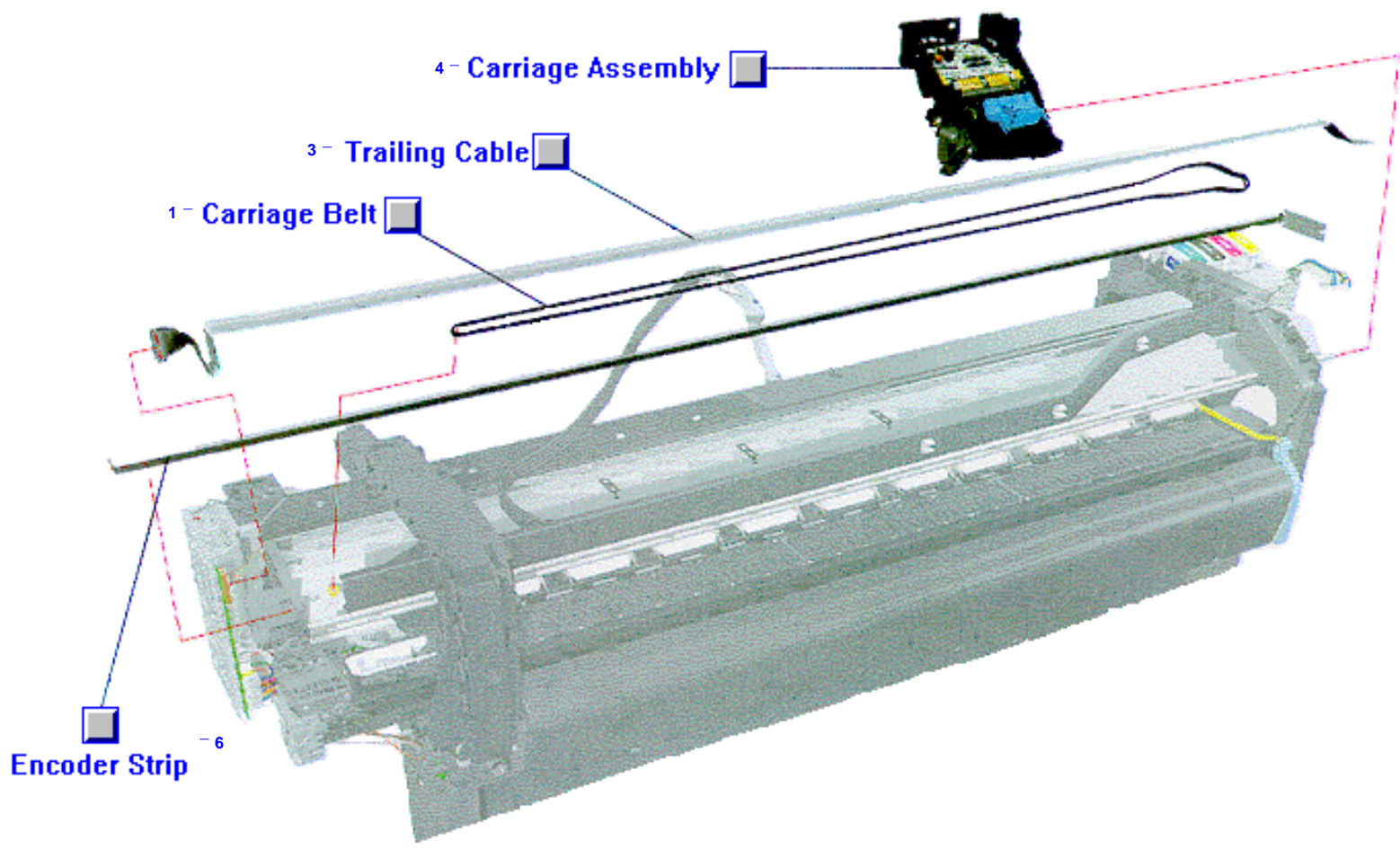
173 C7782A 24-inch printer stand and media bin kit for 500 series - Flint Gray

Back Platen and Media Sensor

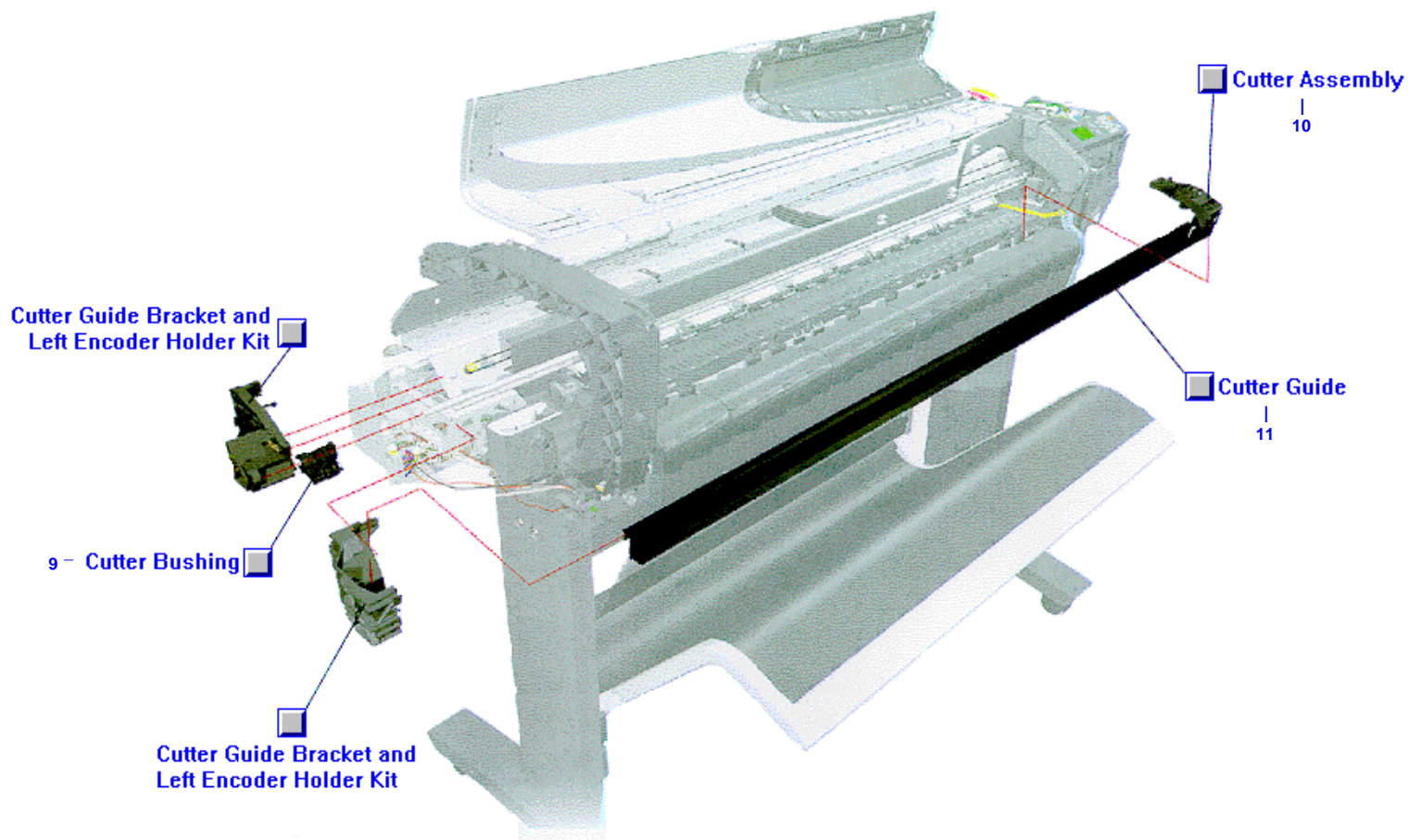




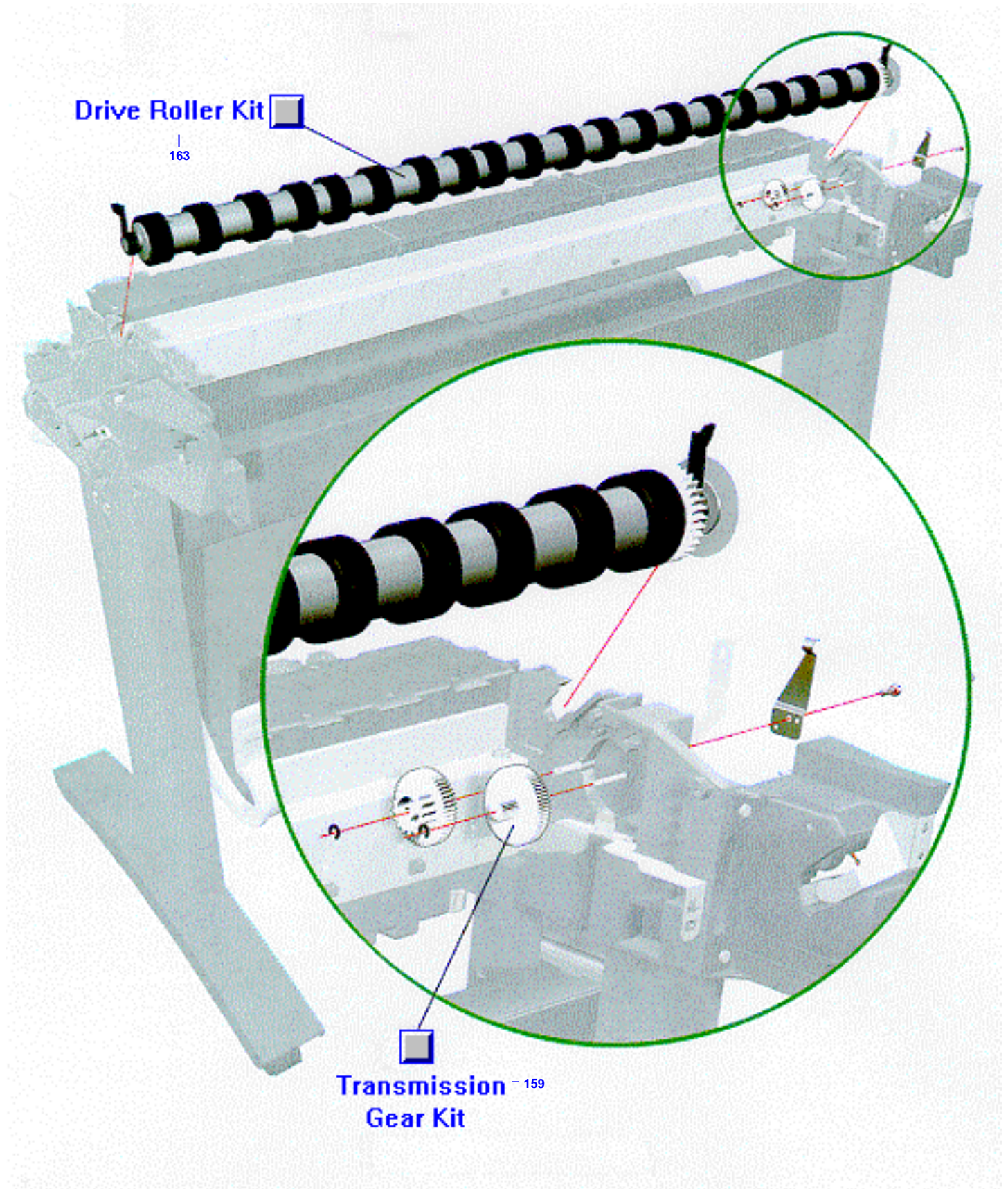
Carriage, Trailing Cable, Belt, Encoder Strip



Cutter



Drive Roller and Transmission Gears



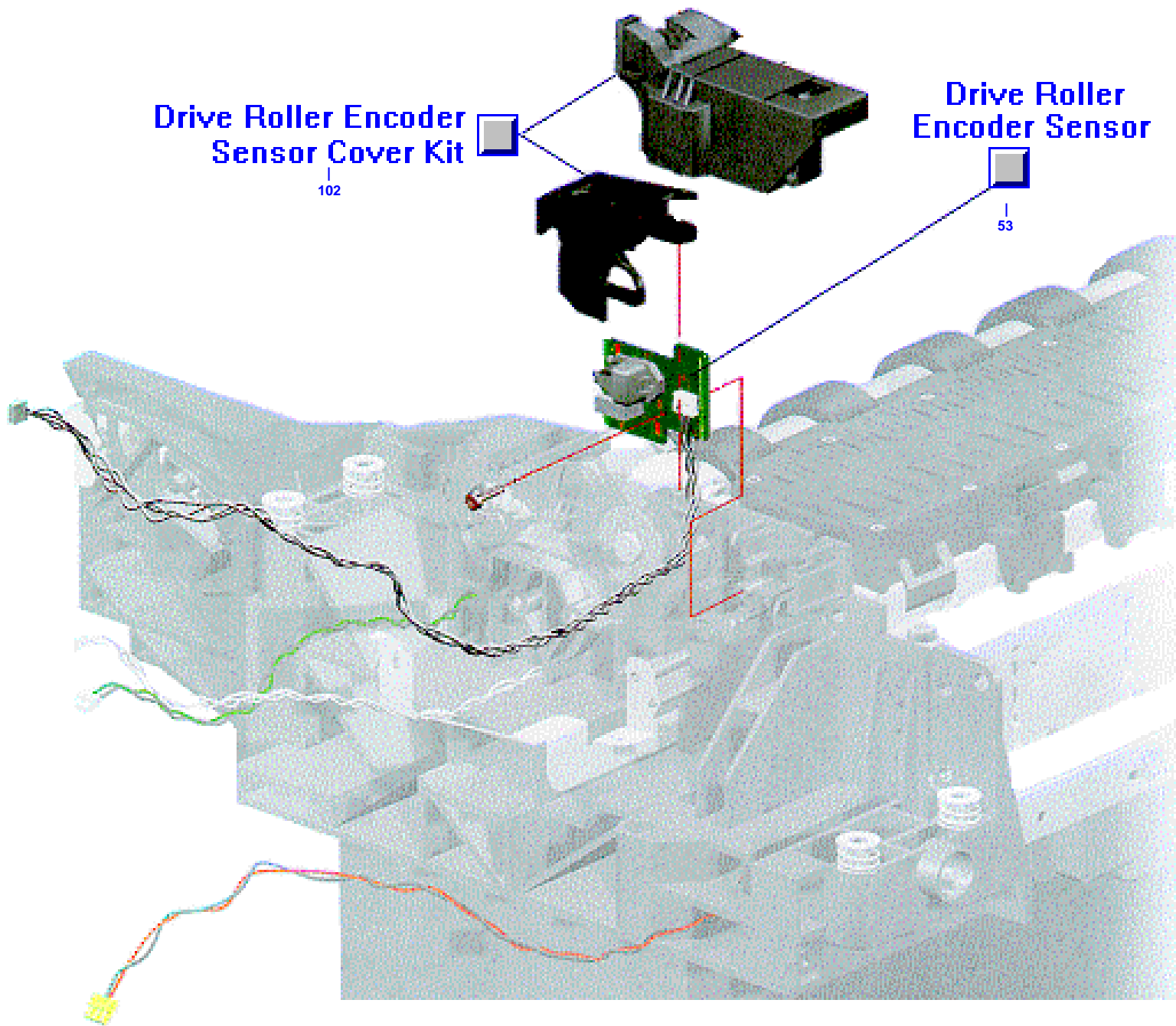
Drive Roller Encoder Sensor

Drive Roller Encoder  
Sensor Cover Kit

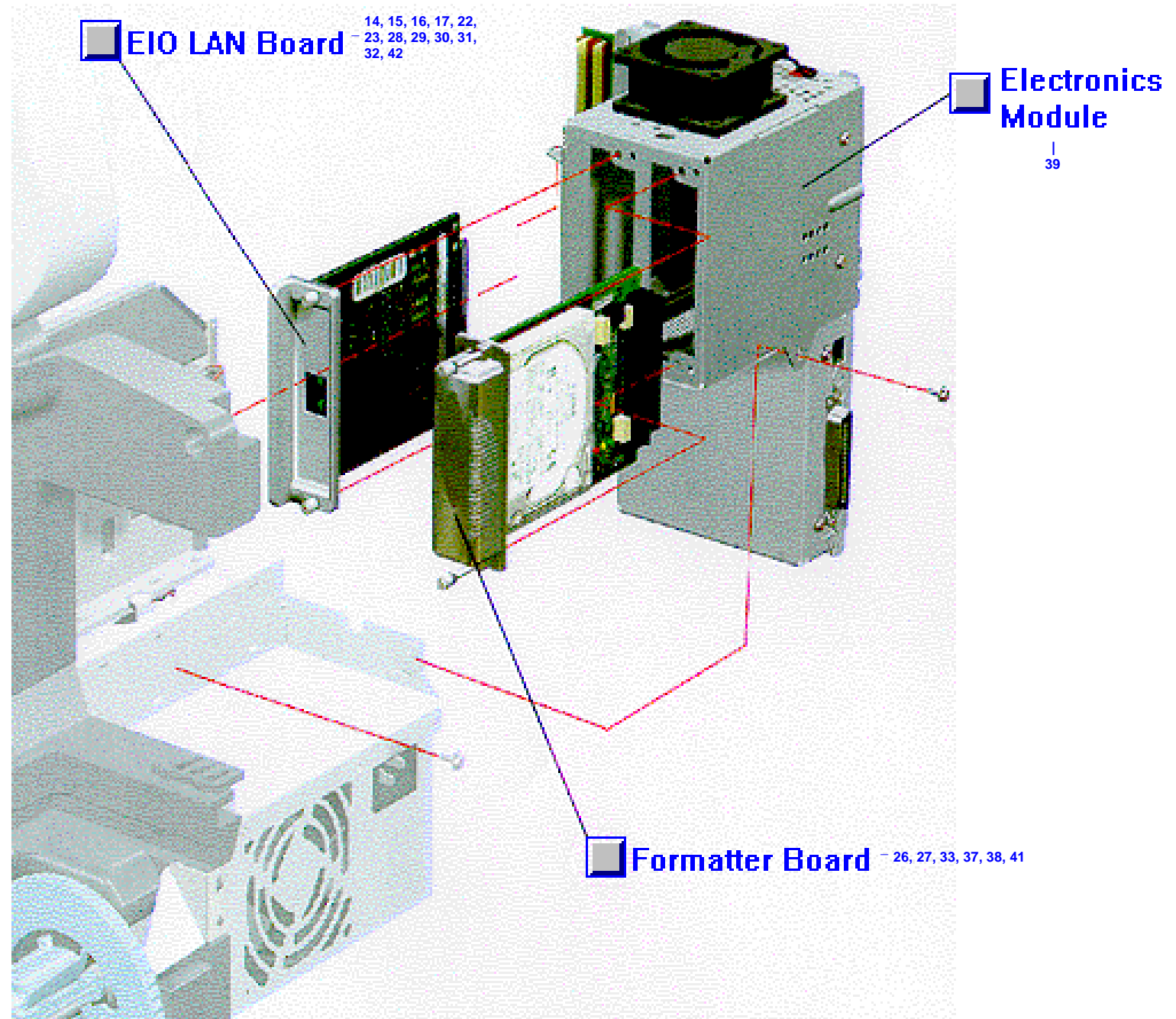
102

Drive Roller  
Encoder Sensor

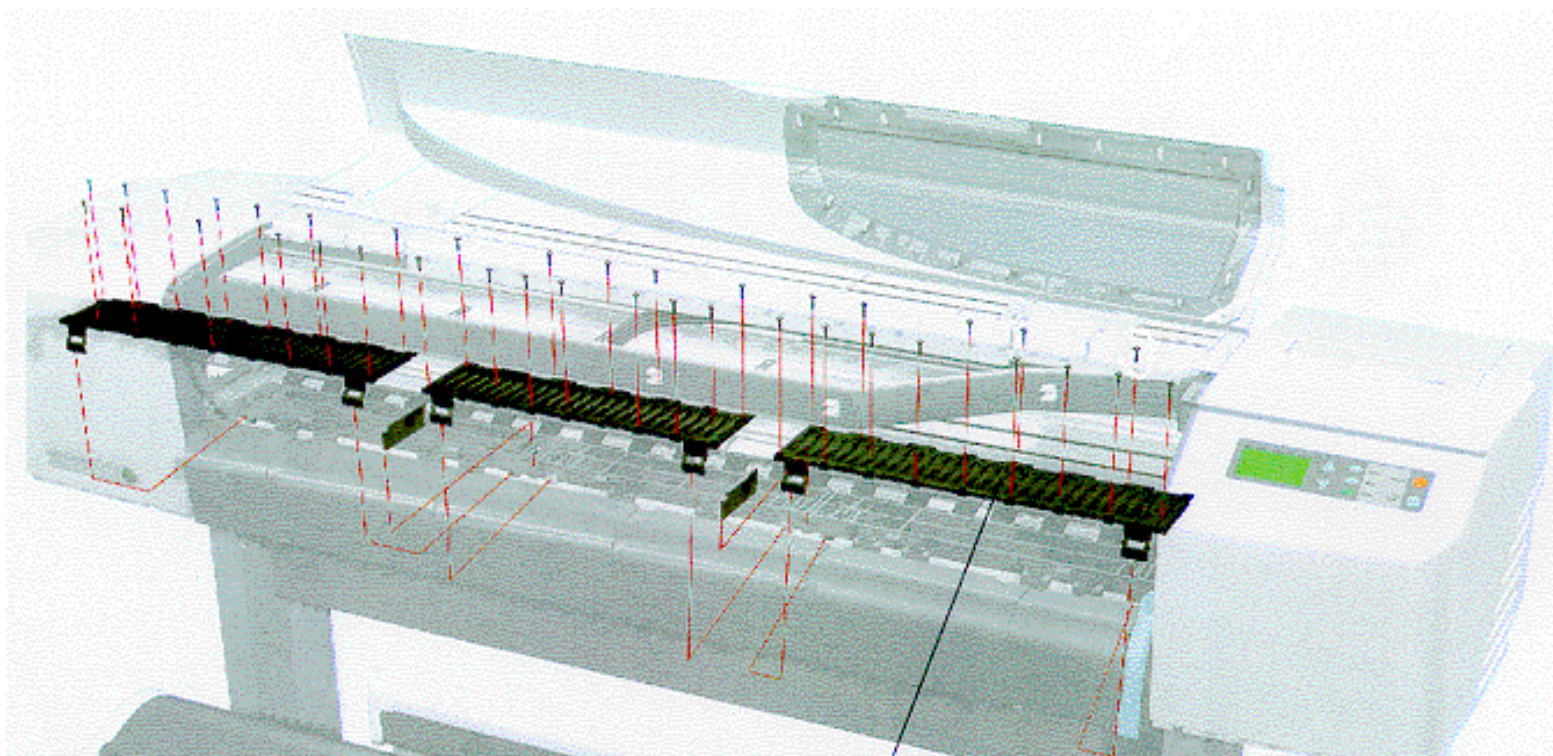
53



Electronics Module and Plugin Cards

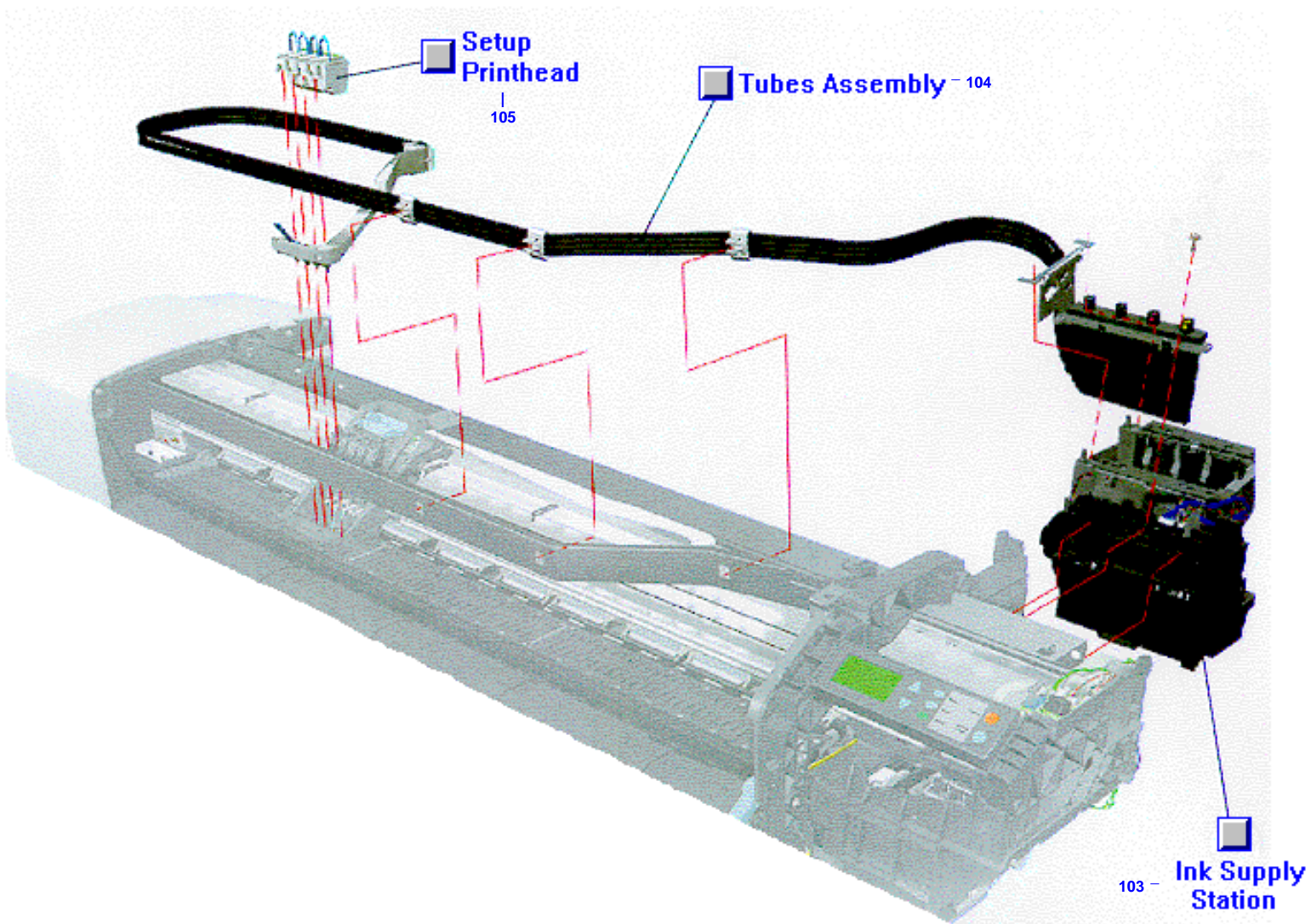


Front Platen

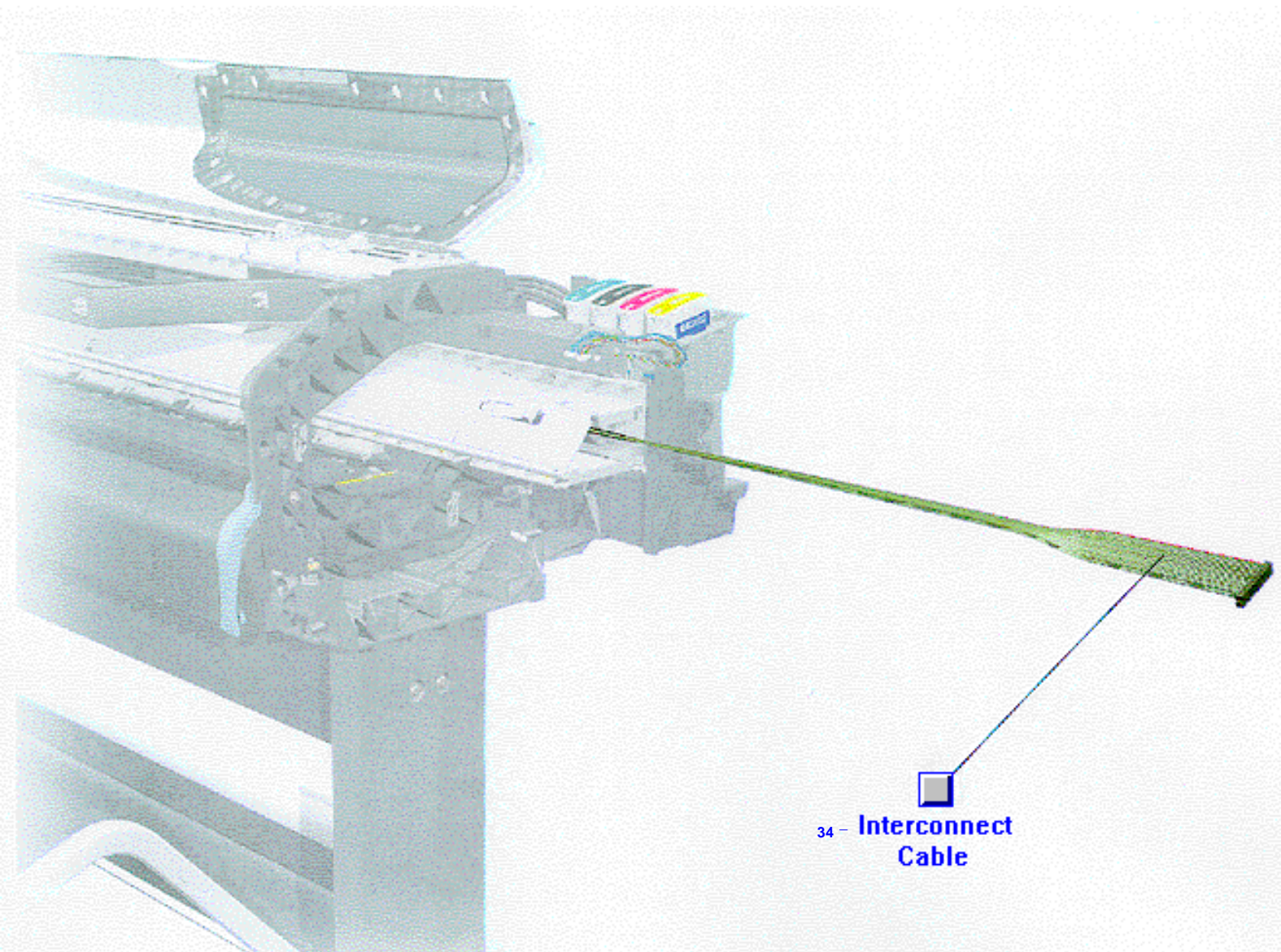


 **Front (Print)  
Platen Kit** - 99

Ink Tubes and Ink Supply Station

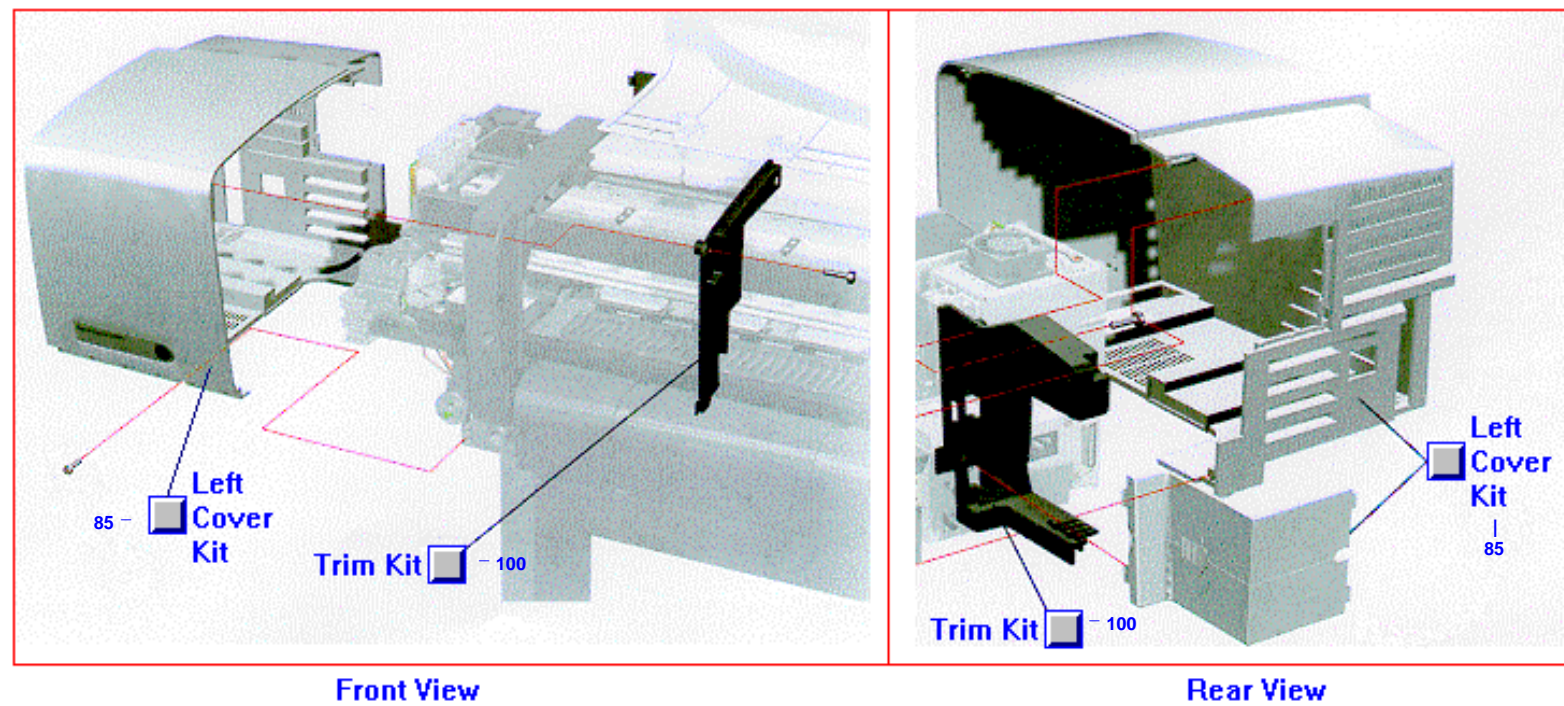


Interconnect Cable

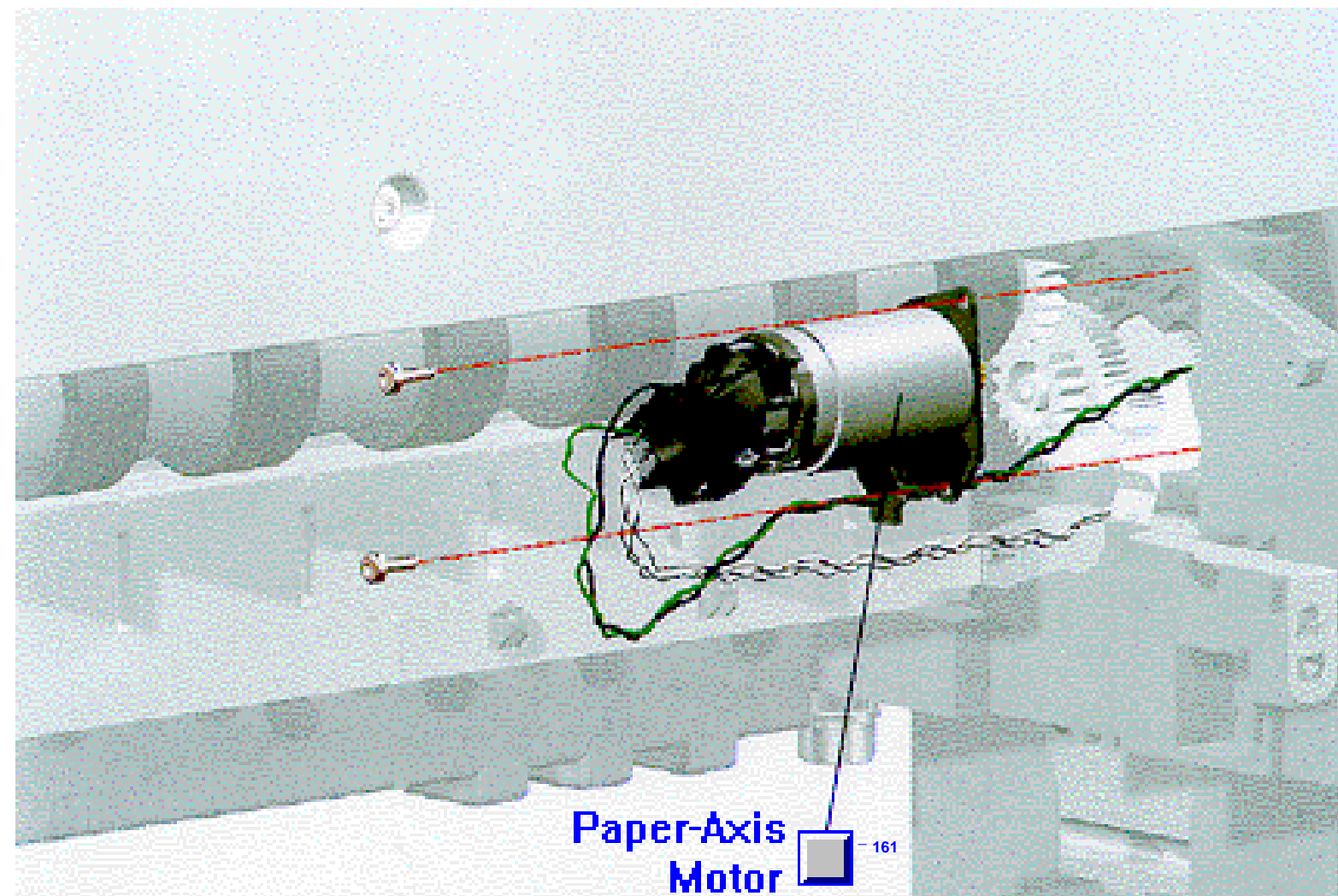




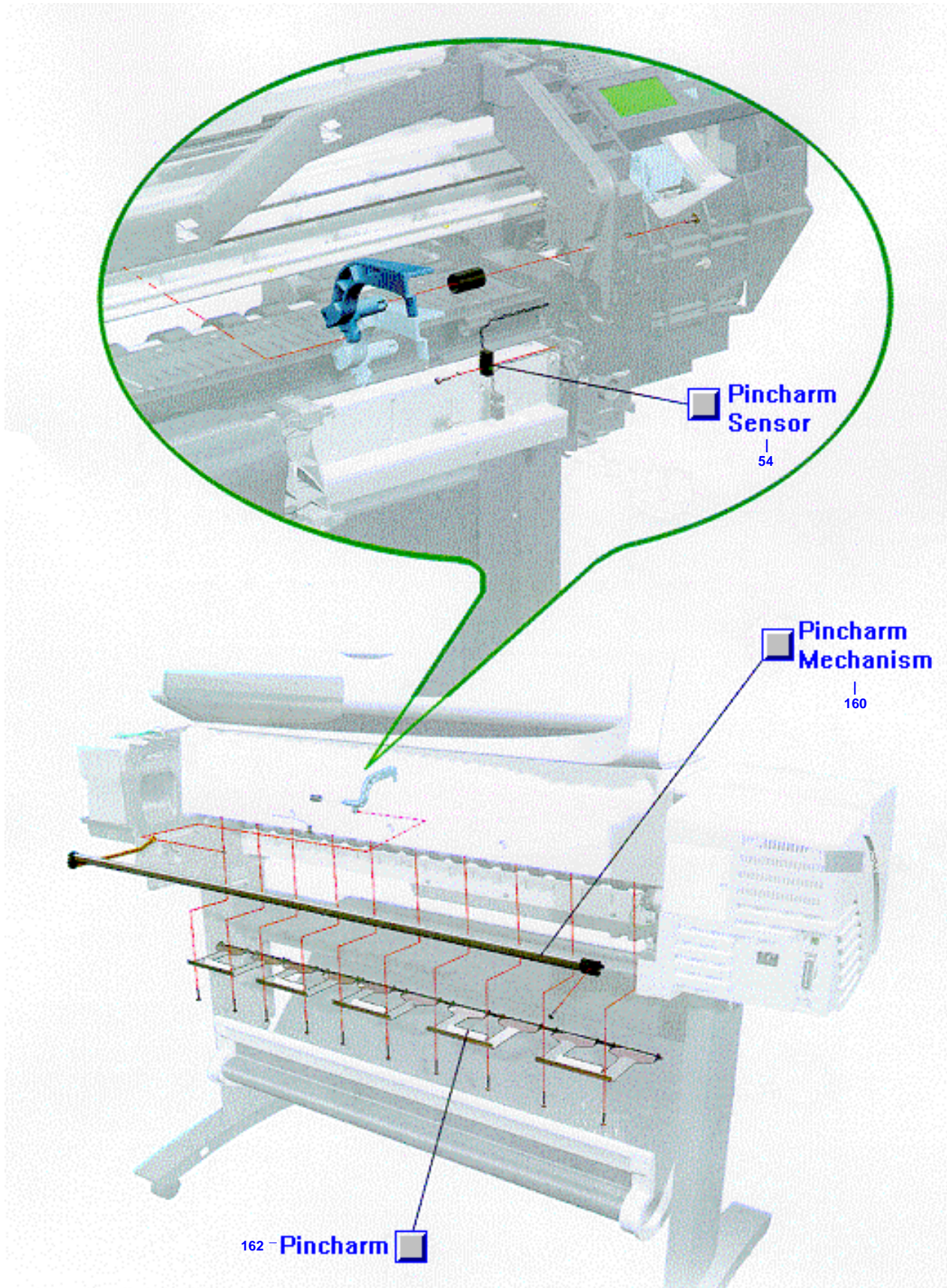
Left Cover



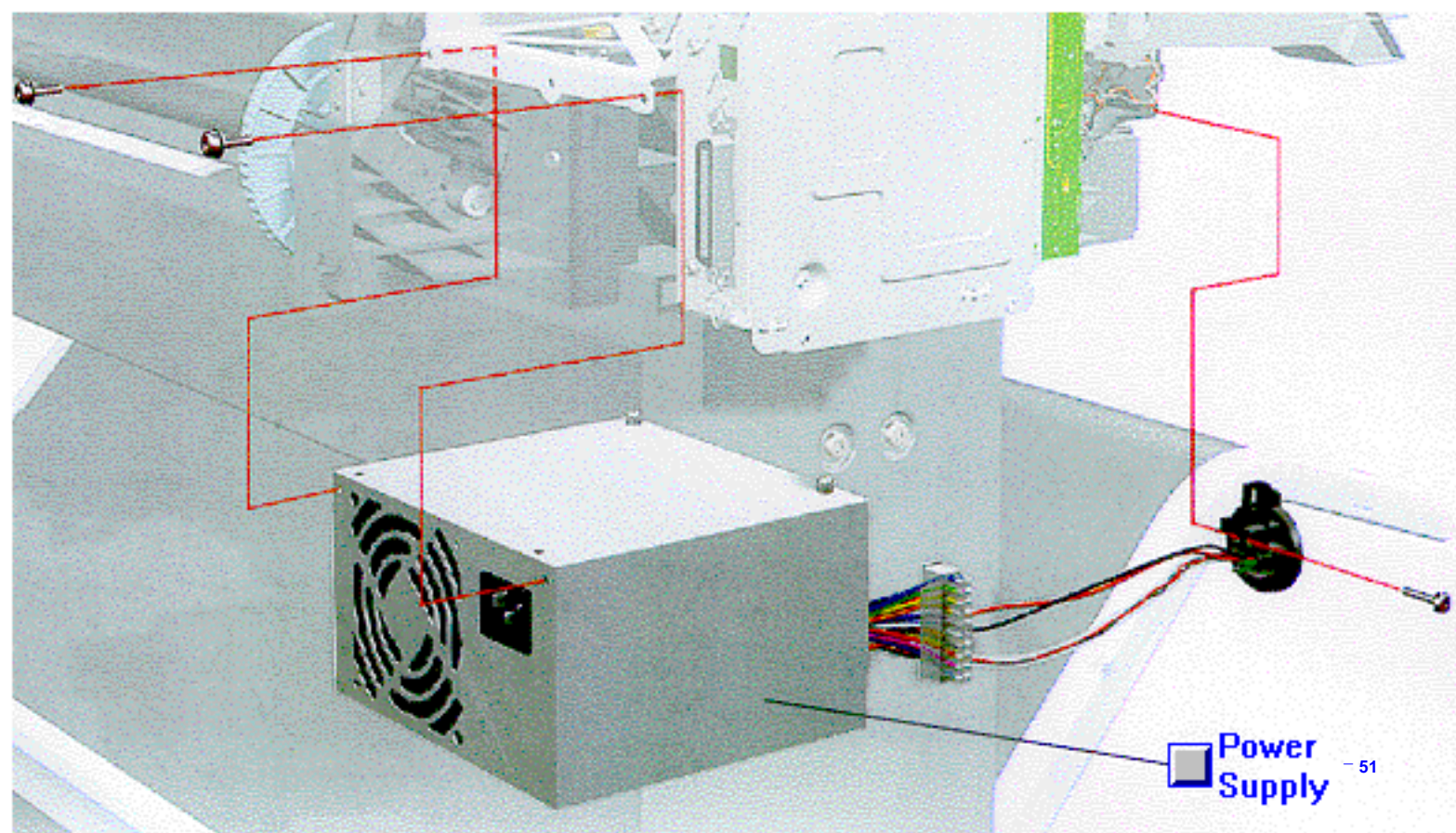
Paper-Axis Motor



Pinchwheels and Pincharms



Power Supply and Power Switch



Printer Stand

 **Stand Kit** - 173

 **Hardware Kit** - 171

 **Cross-Brace** - 169

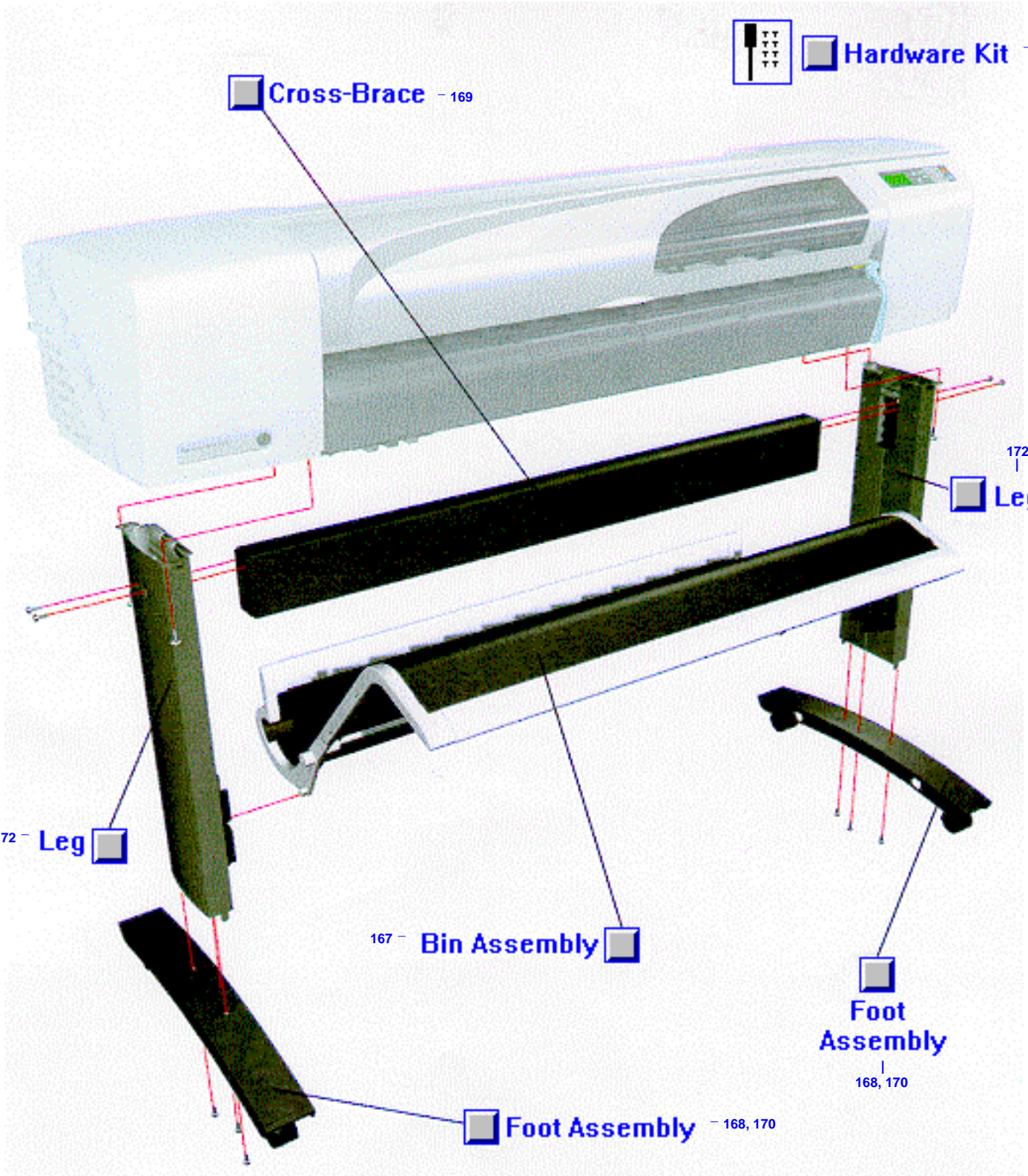
 **Leg** - 172

 **Leg** - 172

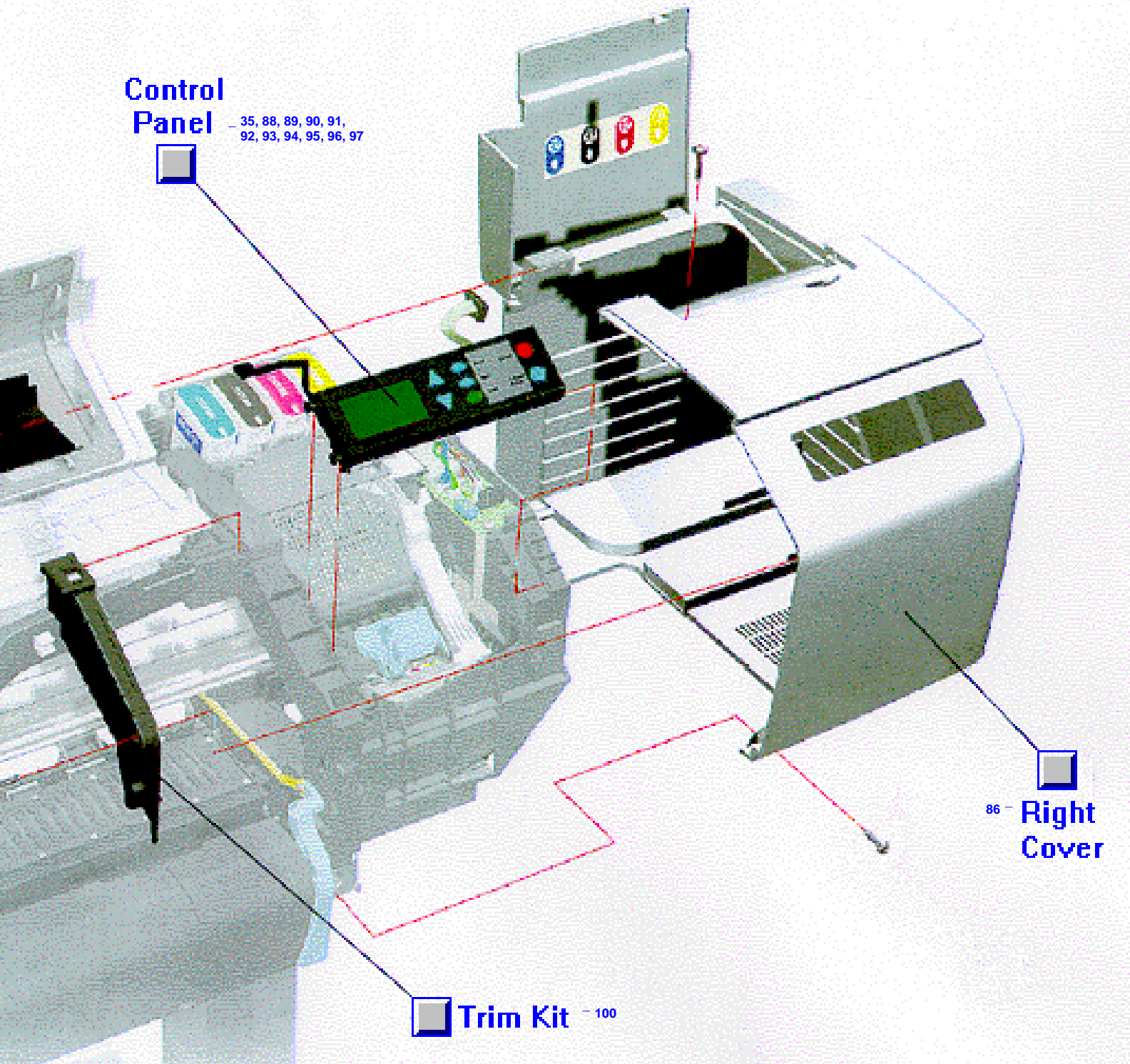
 **Bin Assembly** - 167

 **Foot Assembly**  
- 168, 170

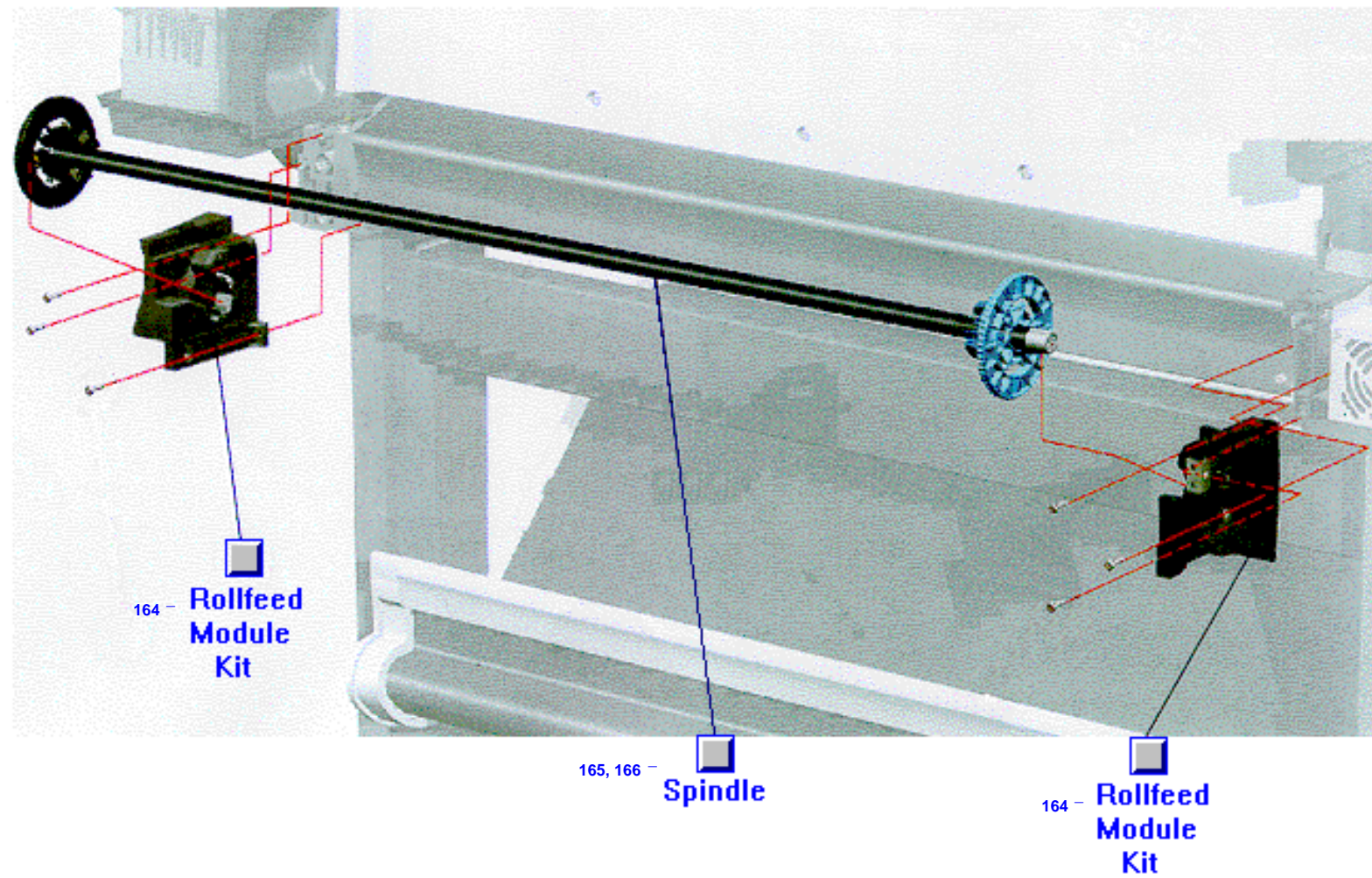
 **Foot Assembly** - 168, 170



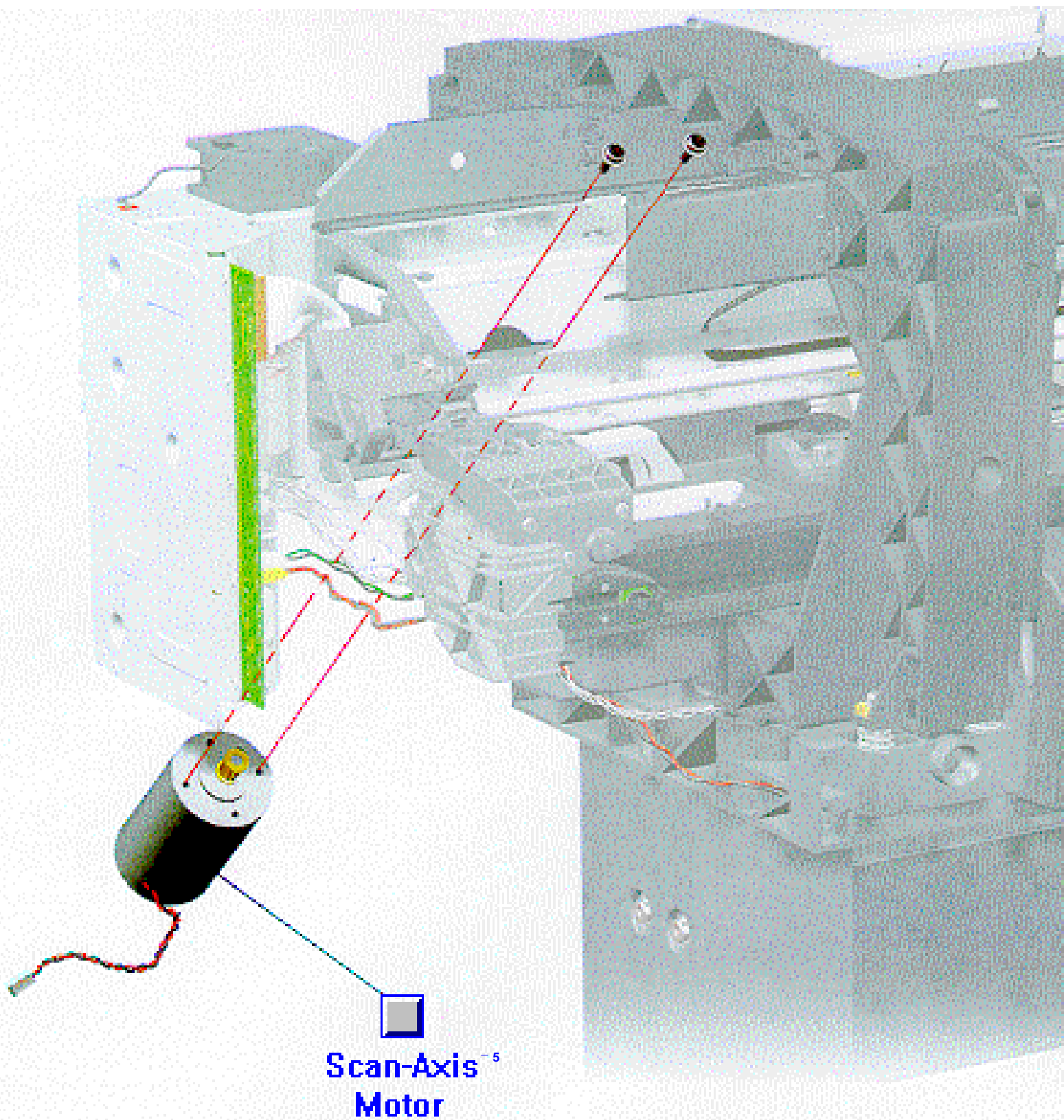
Right Cover and Control Panel



Rollfeed and Spindle

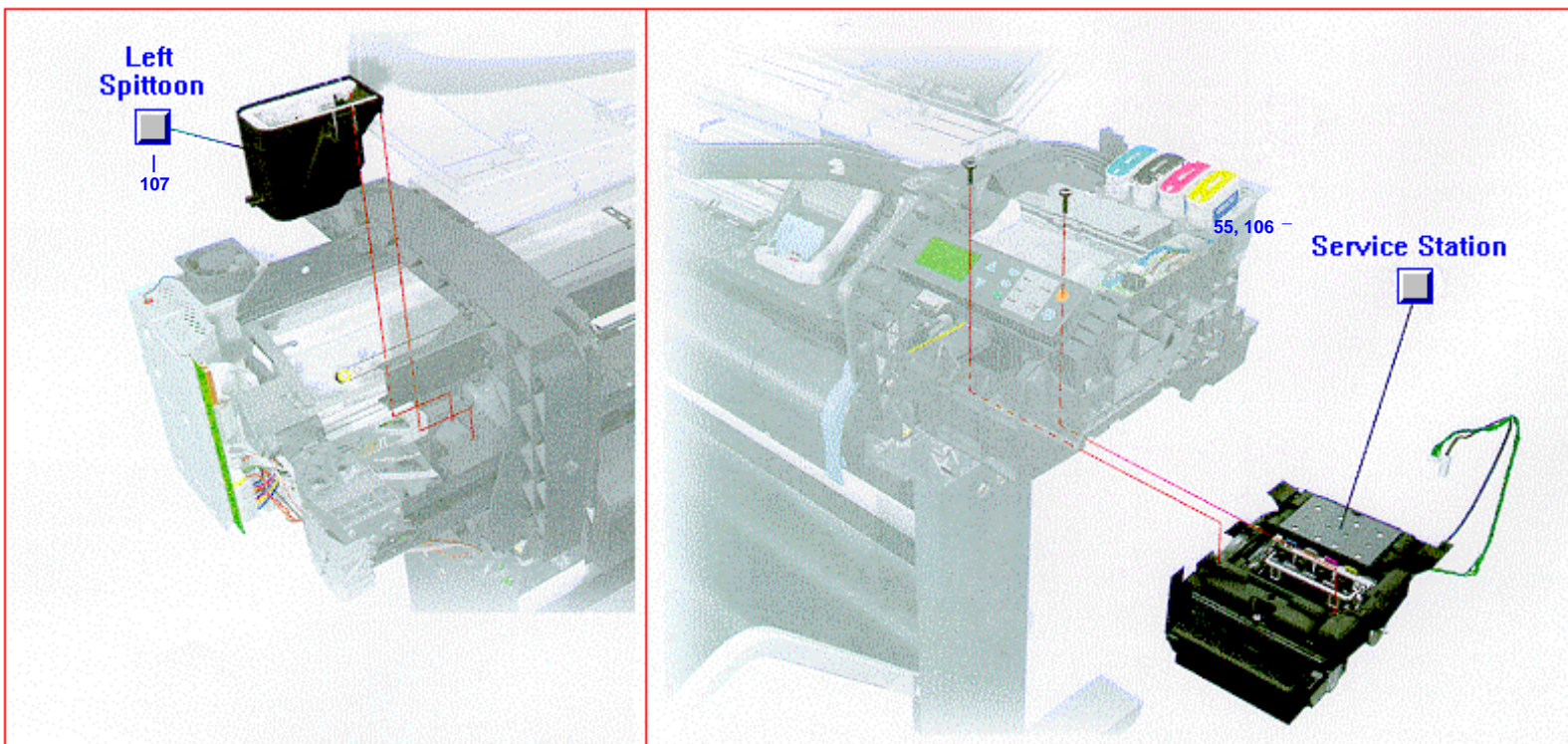


Scan-Axis Motor





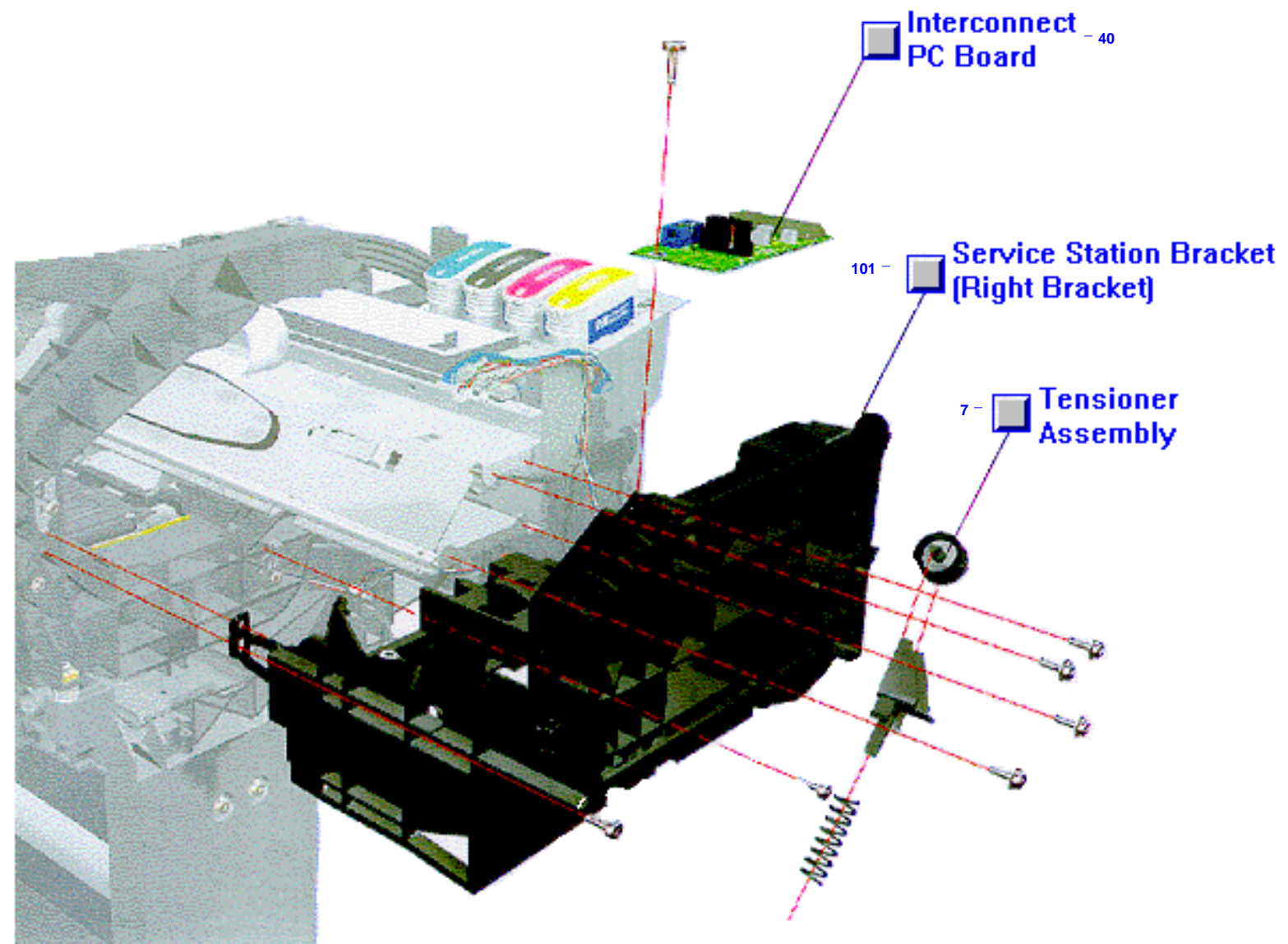
Service Station and Left Spittoon



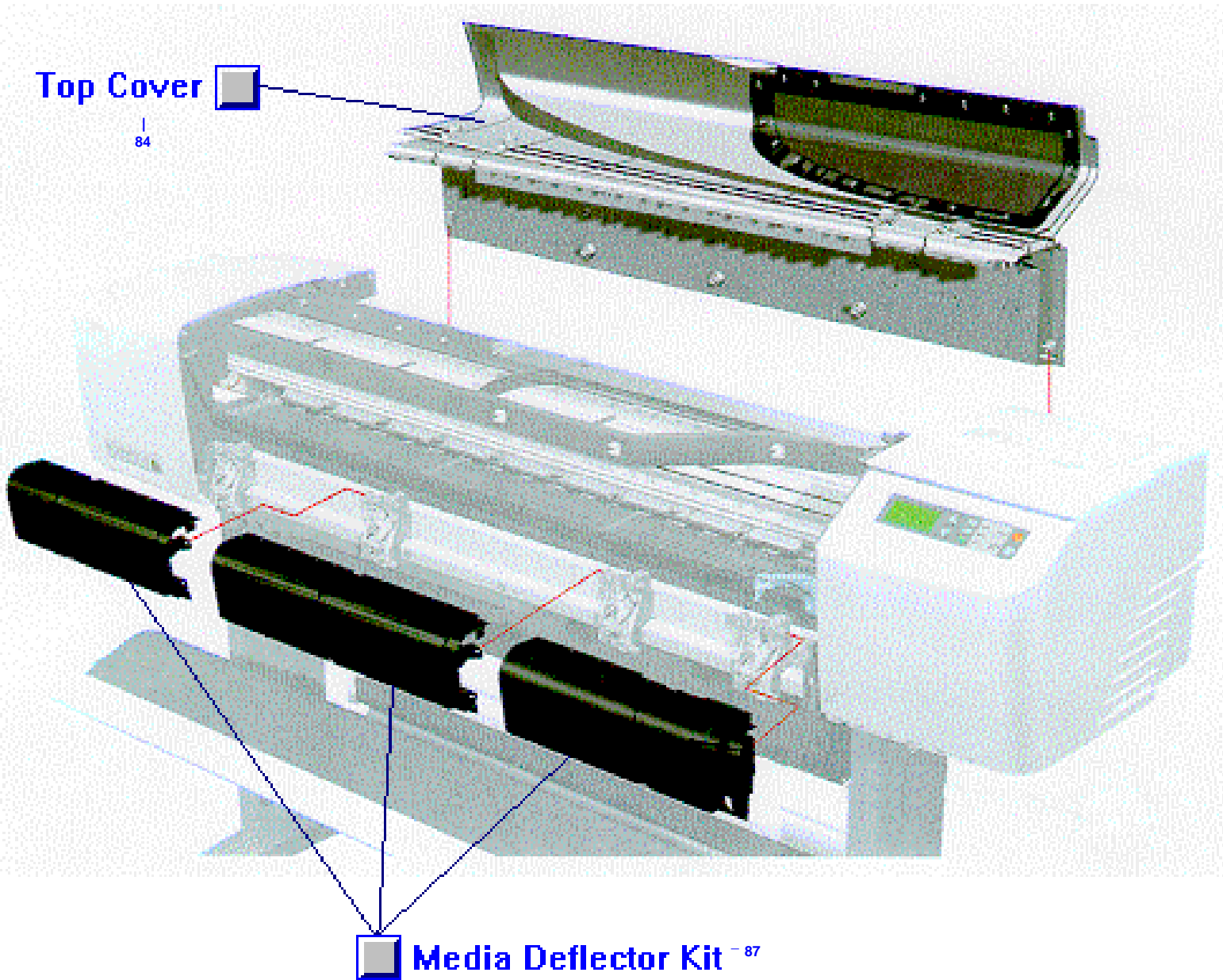
Left Side

Right Side

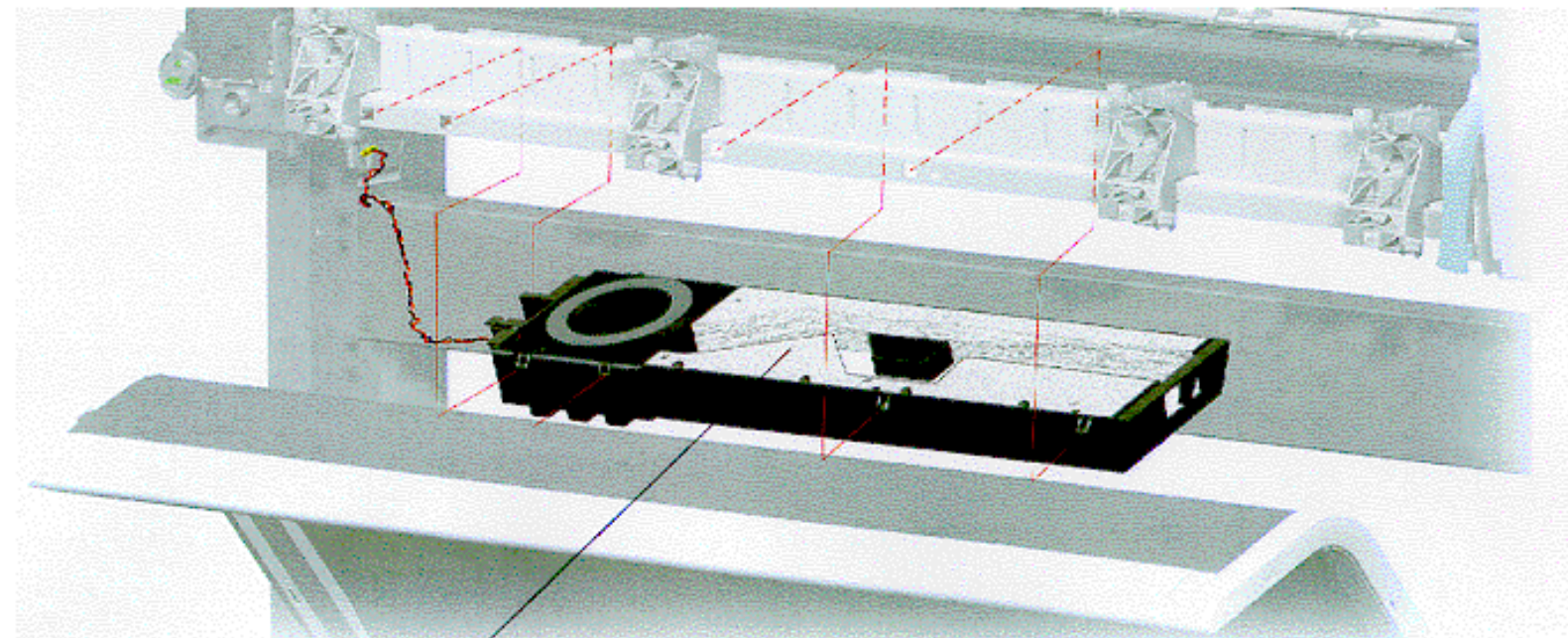
Service Station Holder and Belt Tensioner



Top Cover and Media Deflectors



Vacuum Fan



36 -  Vacuum Fan



**HP Parts Reference Guide**

<http://www.hp.com/go/parts>

**HP PartSurfer**

<http://partsurfer.hp.com>

**HP Parts Ordering Information**

<http://www.hp.com/go/hpparts>

**HP Parts Questions/Comments**

<http://partsurfer.hp.com/contactus.htm>