

Parts catalog

Legend

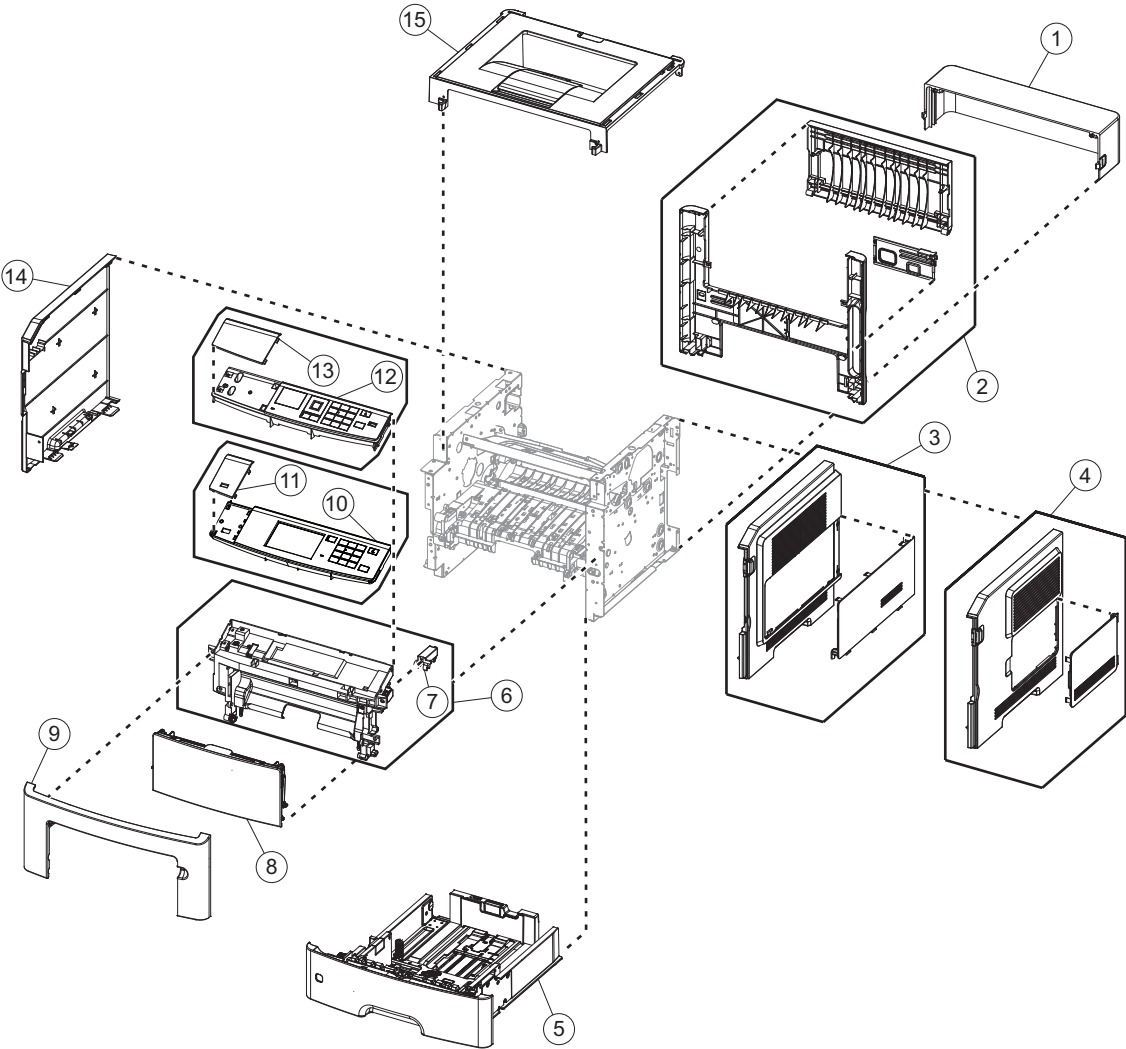
The following column headings are used in the parts catalog:

- **Asm-index**—Identifies the item in the illustration.
- **Part number**—Identifies the unique number that correlates with the part.
- **Units/mach**—Refers to the number of units actually used in the base machine or product.
- **Units/FRU**—Refers to the number of units in a particular FRU.
- **Description**—A brief description of the part.

The following abbreviations are used in the parts catalog:

- **NS** (not shown) in the Asm-index column indicates that the part is procurable but is not pictured in the illustration.
- **PP** (parts packet) in the Description column indicates that the part is contained in a parts packet.

Assembly 1: Covers

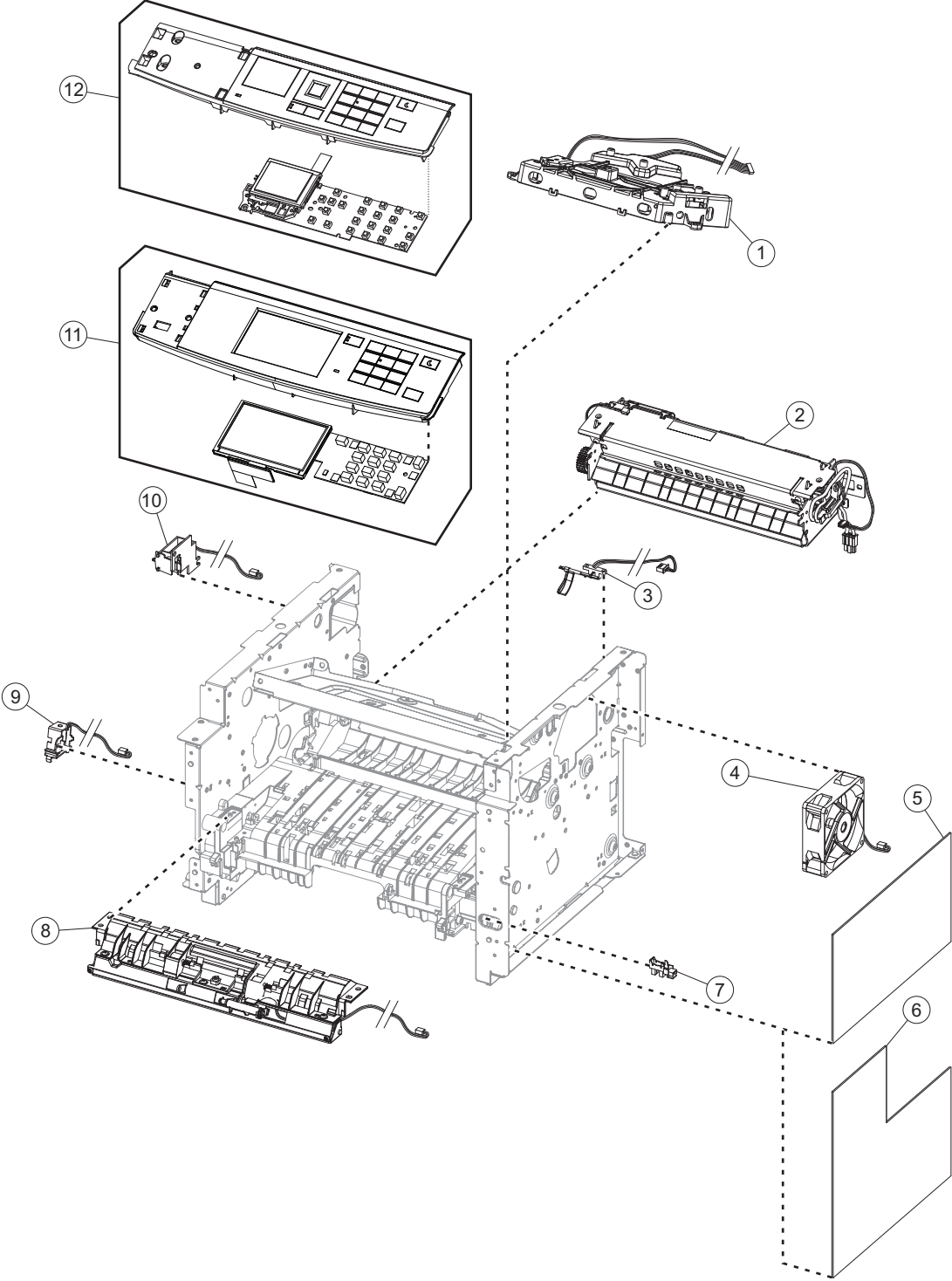


Assembly 1: Covers

Asm-index	P/N	Units/mach	Units/FRU	Description	Removal procedure
1	40X8520	1	1	Dust cover (250-sheet tray)	“Dust cover removal” on page 242
1	40X8521	1	1	Dust cover (550-sheet tray)	“Dust cover removal” on page 242
2	40X8054	1	1	Rear door and cover (MS510dn)	“Rear door and cover removal” on page 242
2	40X8270	1	1	Rear door and cover (MS610dn, MS610de)	“Rear door and cover removal” on page 242
3	40X8087	1	1	Right cover (MS610dn, MS610de)	“Right cover removal” on page 179
4	40X8052	1	1	Right cover (MS510dn)	“Right cover removal” on page 179
5	40X8305	1	1	250-sheet tray	N/A
5	40X8086	1	1	550-sheet tray	N/A
6	40X8056	1	1	Front access cover (MS510dn, MS610dn)	“Front access cover removal” on page 220
6	40X8268	1	1	Front access cover (MS610de)	“Front access cover removal” on page 220
7	40X9148	1	1	Cartridge plunger	“Cartridge plunger removal” on page 196
8	40X9131	1	1	MPF assembly (100 sheets)	“MPF assembly removal” on page 212
9	40X8051	1	1	Nameplate (MS510dn, MS610dn)	“Nameplate removals” on page 201
9	40X8272	1	1	Nameplate (MS610de)	“Nameplate removals” on page 201
10	40X8057	1	1	Control panel cover and buttons (MS610de) Note: Does not include the UICC.	“Control panel assembly removals” on page 203 “UICC removals” on page 207
11	40X8068	1	1	Bezel (MS610de)	“Bezel removals” on page 199
12	40X8060	1	1	Control panel cover and buttons (MS510dn) Note: Does not include the UICC.	“Control panel assembly removals” on page 203 “UICC removals” on page 207

Asm-index	P/N	Units/mach	Units/FRU	Description	Removal procedure
12	40X8061	1	1	Control panel cover and buttons (MS610dn) Note: Does not include the UICC.	“Control panel assembly removals” on page 203 “UICC removals” on page 207
13	40X8066	1	1	Bezel (MS510dn)	“Bezel removals” on page 199
13	40X8067	1	1	Bezel (MS610dn)	“Bezel removals” on page 199
14	40X8053	1	1	Left cover (MS510dn)	“Left cover removal” on page 166
14	40X8269	1	1	Left cover (MS610dn, MS610de)	“Left cover removal” on page 166
15	40X8055	1	1	Top cover (MS510dn)	“Top cover removal” on page 247
15	40X8271	1	1	Top cover (MS610dn, MS610de)	“Top cover removal” on page 247
NS	40X8273	4	40	Rubber foot	N/A

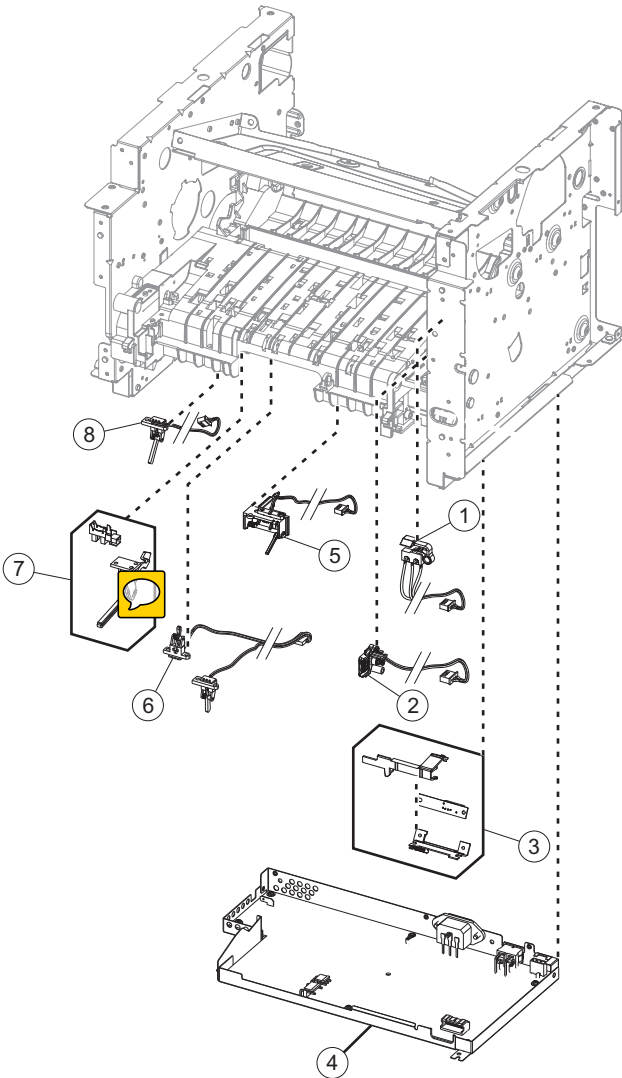
Assembly 2: Electronics 1



Assembly 2: Electronics 1

Asm-index	P/N	Units/mach	Units/FRU	Description	Removal procedure
1	40X8081	1	1	Laser scanning unit	"Laser scanning unit (LSU) removal" on page 248
2	40X8343	1	1	Fuser, 100 V	"Fuser removal" on page 246
2	40X8023	1	1	Fuser, 110 V	"Fuser removal" on page 246
2	40X8024	1	1	Fuser, 220 V	"Fuser removal" on page 246
3	40X8050	1	1	Narrow media/bin full sensor	"Narrow media/bin full sensor removal" on page 243
4	40X8276	1	1	Cooling fan (MS510dn, MS610dn)	"Cooling fan removals" on page 181
4	40X8274	1	1	Cooling fan (MS610de)	"Cooling fan removals" on page 181
5	40X8029	1	1	Controller board (MS510dn)	"Controller board removals" on page 185
5	40X8030	1	1	Controller board (MS610dn)	"Controller board removals" on page 185
6	40X8388	1	1	Controller board (MS610de)	"Controller board removals" on page 185
7	40X7592	1	1	Tray present sensor	"Tray present sensor removal" on page 180
8	40X8280	1	1	Front input guide	"Front input guide removal" on page 221
9	40X8300	1	1	MPF solenoid	"MPF solenoid removal" on page 169
10	40X8301	1	1	Reverse solenoid	"Reverse solenoid removal" on page 175
11	40X8285	1	1	Control panel assembly (MS610de)	"Control panel assembly removals" on page 203
12	40X8292	1	1	Control panel assembly (MS510dn)	"Control panel assembly removals" on page 203
12	40X8284	1	1	Control panel assembly (MS610dn)	"Control panel assembly removals" on page 203

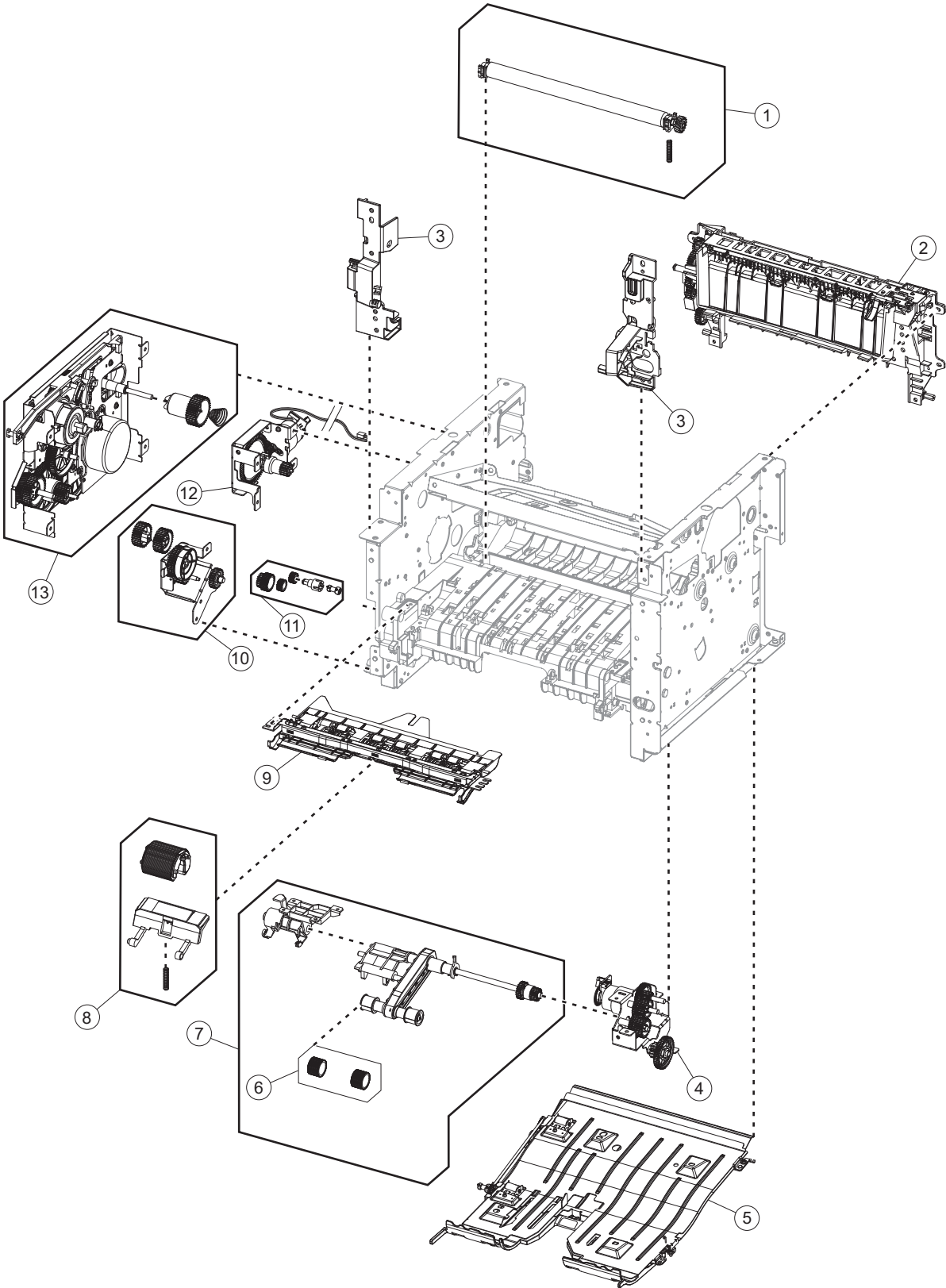
Assembly 3: Electronics 2



Assembly 3: Electronics 2

Asm-index	P/N	Units/mach	Units/FRU	Description	Removal procedure
1	40X8048	1	1	Front door sensor	"Front door sensor removal" on page 220
2	40X8266	1	1	Cartridge smart chip contact	"Toner cartridge smart chip contact removal" on page 189
3	40X8046	1	1	Toner density sensor	"Toner density sensor removal" on page 234
4	40X7797	1	1	Power supply, 100 V/110 V	"Power supply removal" on page 225 or "Power supply removal (MS610)" on page 226
4	40X7798	1	1	Power supply, 220 V	"Power supply removal" on page 225 or "Power supply removal (MS610)" on page 226
5	40X8045	1	1	Trailing edge sensor	"Trailing edge sensor removal" on page 234
6	40X8043	1	1	Duplex sensor and input sensor	"Duplex sensor and input sensor removal" on page 229
7	40X7592	1	1	Media present sensor	"Media present sensor removal" on page 232
8	40X8044	1	1	Index sensor	"Index sensor removal" on page 232

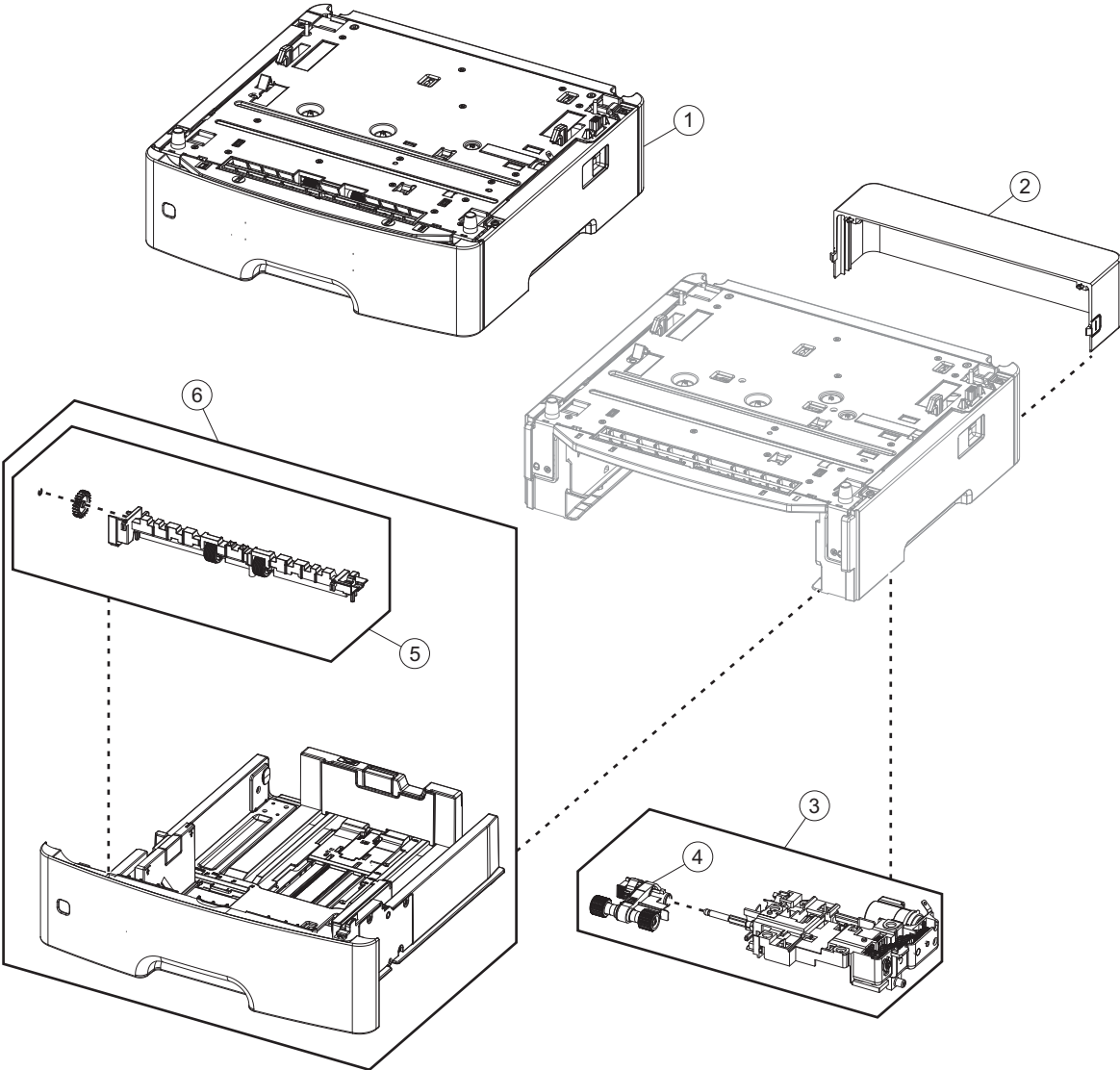
Assembly 4: Frame



Assembly 4: Frame

Asm-index	P/N	Units/mach	Units/FRU	Description	Removal procedure
1	40X8393	1	1	Transfer roll	"Transfer roll removal" on page 195
2	40X8298	1	1	Redrive assembly (MS510dn)	"Redrive assembly removal" on page 245
2	40X8437	1	1	Redrive assembly (MS610dn)	"Redrive assembly removal" on page 245
2	40X8438	1	1	Redrive assembly (MS610de)	"Redrive assembly removal" on page 245
3	40X8299	1	1	Front mounts	"Left front mount removal" on page 191 "Right front mount removal" on page 193
4	40X8084	1	1	Pick/Lift motor gearbox	"Pick/Lift motor gearbox removal" on page 241
5	40X8275	1	1	Duplex assembly	"Duplex removal" on page 228
6	40X8297	2	2	Pick tire	N/A
7	40X8261	1	1	ACM assembly	"ACM assembly removal" on page 235
8	40X8295	2	2	MPF pick roller and separator pad	"MPF pick roller removal" on page 215 and "Separator pad removal" on page 223
9	40X8279	1	1	Jam access cover	"Jam access cover removal" on page 216
10	40X8777	1	1	MPF gearbox	"MPF gearbox removal" on page 172
11	40X8277	1	1	Duplex gear assembly	"Duplex gear assembly removal" on page 177
12	40X8083	1	1	Cartridge gearbox	"Cartridge gearbox removal" on page 176
13	40X8085	1	1	Main drive gearbox	"Main drive gearbox removal" on page 167
NS	40X8394	1	1	Screw kit, contains: <ul style="list-style-type: none"> • MT3x0.5+8PF-NI—10 pieces • MT3x0.5+6PF-NI—10 pieces • TP2NC-3+6PF-NI—10 pieces 	N/A

Assembly 5: Option trays



Assembly 5: Option trays

Asm-index	P/N	Units/opt	Units/FRU	Description	Removal procedure
1	40X8287	1	1	250-sheet tray	N/A
1	40X8286	1	1	550-sheet tray	N/A
2	40X8520	1	1	Dust cover, 250-sheet tray	"Dust cover removal" on page 242
2	40X8521	1	1	Dust cover, 550-sheet tray	"Dust cover removal" on page 242
3	40X8262	1	1	ACM assembly	"ACM assembly removal" on page 252
4	40X8443	1	1	Pick roller assembly	"Pick roller removal" on page 250
5	40X8444	1	1	Separator roll assembly	"Separator roll assembly removal" on page 250
6	40X8305	1	1	250-sheet tray insert	N/A
6	40X8086	1	1	550-sheet tray insert	N/A

Assembly 6: Maintenance kits

Asm-index	P/N	Units/mach	Units/FRU	Description	Removal procedure
NS	40X8439	1	1	Maintenance kit, 100 V (MS510dn) <ul style="list-style-type: none"> • 100 V fuser (40X8343) • Paper exit guide (40X8298) • ACM pick roll (40X8297) • Transfer roll (40X8393) • Tray separator roll assembly (40X8444) • MPF pick roll and separator pad (40X8295) 	N/A
NS	40X8281	1	1	Maintenance kit, 110 V (MS510dn) <ul style="list-style-type: none"> • 110 V fuser (40X8023) • Paper exit guide (40X8298) • ACM pick roll (40X8297) • Transfer roll (40X8393) • Tray separator roll assembly (40X8444) • MPF pick roll and separator pad (40X8295) 	N/A
NS	40X8282	1	1	Maintenance kit, 220 V (MS510dn) <ul style="list-style-type: none"> • 220 V fuser (40X8024) • Paper exit guide (40X8298) • ACM pick roll (40X8297) • Transfer roll (40X8393) • Tray separator roll assembly (40X8444) • MPF pick roll and separator pad (40X8295) 	N/A
NS	40X8440	1	1	Maintenance kit, 100 V (MS610dn) <ul style="list-style-type: none"> • 100 V fuser (40X8343) • Paper exit guide (40X8437) • ACM pick roll (40X8297) • Transfer roll (40X8393) • Tray separator roll assembly (40X8444) • MPF pick roll and separator pad (40X8295) 	N/A
NS	40X8433	1	1	Maintenance kit, 110 V (MS610dn) <ul style="list-style-type: none"> • 110 V fuser (40X8023) • Paper exit guide (40X8437) • ACM pick roll (40X8297) • Transfer roll (40X8393) • Tray separator roll assembly (40X8444) • MPF pick roll and separator pad (40X8295) 	N/A

Asm-index	P/N	Units/mach	Units/FRU	Description	Removal procedure
NS	40X8435	1	1	Maintenance kit, 220 V (MS610dn) <ul style="list-style-type: none"> • 220 V fuser (40X8024) • Paper exit guide (40X8437) • ACM pick roll (40X8297) • Transfer roll (40X8393) • Tray separator roll assembly (40X8444) • MPF pick roll and separator pad (40X8295) 	N/A
NS	40X8441	1	1	Maintenance kit, 100 V (MS610de) <ul style="list-style-type: none"> • 100 V fuser (40X8343) • Paper exit guide (40X8438) • ACM pick roll (40X8297) • Transfer roll (40X8393) • Tray separator roll assembly (40X8444) • MPF pick roll and separator pad (40X8295) 	N/A
NS	40X8434	1	1	Maintenance kit, 110 V (MS610de) <ul style="list-style-type: none"> • 110 V fuser (40X8023) • Paper exit guide (40X8438) • ACM pick roll (40X8297) • Transfer roll (40X8393) • Tray separator roll assembly (40X8444) • MPF pick roll and separator pad (40X8295) 	N/A
NS	40X8436	1	1	Maintenance kit, 220 V (MS610de) <ul style="list-style-type: none"> • 220 V fuser (40X8024) • Paper exit guide (40X8438) • ACM pick roll (40X8297) • Transfer roll (40X8393) • Tray separator roll assembly (40X8444) • MPF pick roll and separator pad (40X8295) 	N/A

Assembly 7: Power cords

Asm-index	P/N	Units/mach	Units/FRU	Description	Removal procedure
NS	40X0269	1	1	Power cord, 2.5 m (straight)—USA, Canada	N/A
NS	40X3141	1	1	Power cord, 2.5 m (straight)—Europe and others	N/A
NS	40X0288	1	1	Power cord, 2.5 m (straight)—Argentina	N/A
NS	40X0271	1	1	Power cord, 2.5 m (straight)—United Kingdom	N/A
NS	40X0275	1	1	Power cord, 2.5 m (straight)—Israel	N/A
NS	40X1772	1	1	Power cord, 2.5 m (straight)—Switzerland	N/A
NS	40X1773	1	1	Power cord, 2.5 m (straight)—South Africa	N/A
NS	40X0273	1	1	Power cord, 2.5 m (straight)—Traditional Italy	N/A
NS	40X1774	1	1	Power cord, 2.5 m (straight)—Denmark	N/A
NS	40X4596	1	1	Power cord, 2.5 m (straight)—Brazil	N/A
NS	40X0303	1	1	Power cord, 2.5 m (straight)—China	N/A
NS	40X0270	1	1	Power cord, 2.5 m (straight)—Japan	N/A
NS	40X1792	1	1	Power cord, 2.5 m (straight)—Korea	N/A
NS	40X1791	1	1	Power cord, 2.5 m (straight)—Taiwan	N/A
NS	40X0301	1	1	Power cord, 2.5 m (straight)—Australia	N/A

Assembly 8: Miscellaneous

Asm-index	P/N	Units/mach	Units/FRU	Description	Removal procedure
NS	40X8737	1	1	RFID card reader	N/A
NS	40X8330	1	1	MarkNet N8352 802.11 b/g/n Wireless Print Server Kit	N/A
NS	40X4819	1	1	Adapter, RS232C serial	N/A
NS	40X5315	1	1	Screw, Ship with ISP (2)	N/A
NS	40X5316	1	1	Cable, 14 pin JST for ISP	N/A
NS	40X5317	1	1	Standoff, Tee with thumbscrew	N/A
NS	40X4826	1	1	Adapter, N8120 GB INA	N/A
NS	40X4823	1	1	Adapter, Parallel 1284-B	N/A
NS	40X4827	1	1	Adapter, N8130 10/100 Fiber	N/A
NS	40X8523	1	1	RS-232C Serial Interface Card	N/A
NS	40X8524	1	1	1284-B Parallel Interface Card	N/A
NS	40X8525	1	1	Adapter, Fiber ISP	N/A
NS	40X8526	1	1	Adapter, Wireless ISP	N/A
NS	40X7445	1	1	2GB DDR3 RAM	N/A
NS	40X7567	1	1	1GB DDR3 RAM	N/A
NS	40X8603	1	1	Forms and Barcode Card (MS510dn, MS610dn)	N/A
NS	40X8606	1	1	Forms and Barcode Card (MS610de)	N/A
NS	40X8605	1	1	Prescribe Card (MS510dn, MS610dn)	N/A
NS	40X8608	1	1	Prescribe Card (MS610de)	N/A
NS	40X8604	1	1	IPDS card (MS510dn, MS610dn)	N/A
NS	40X8607	1	1	IPDS card (MS610de)	N/A
NS	40X0387	1	1	Interface device, USB-A	N/A
NS	40X8527	1	1	Adapter, pcProx CASI Black Card Reader	N/A
NS	40X8570	1	1	Font card, Arabic	N/A
NS	40X8571	1	1	Font card, Hebrew	N/A
NS	40X8568	1	1	Font card, Korean	N/A
NS	40X8569	1	1	Font card, Japanese	N/A
NS	40X8556	1	1	Font card, Traditional Chinese	N/A
NS	40X8557	1	1	Font card, Simplified Chinese	N/A
NS	40X8555	1	1	256MB flash card	N/A
NS	40X7856	1	1	160GB hard disk (MS610de)	N/A
NS	40X1368	1	1	USB cable, packaged (2 m)	N/A

