



Bail and Overdrive Parts

Bail

1 C4714-60093 Bail assembly (E-size) - Has star wheel assemblies attached

Cable

2 C4713-60182 Bail link (Cable) - Flexible stranded wire cable - 12.5cm (4.9 inches) long

Cam

3 C3190-40020 Bail lift cam - Mounted behind the bail engaging lever support

Clutch

4 C4713-60129 Overdrive clutch assembly

Deflector

5 C4713-60117 Media deflector with media button - The media deflector furthest to the right side - Includes media load button

Gear

6 C1633-40019 Overdrive gear cluster

7 C1633-40027 Bail engaging lever gear

8 C3190-40019 Bail lift cam gear

Hardware

9 0510-0083 Retaining E-ring - 0.250-in diameter, steel zinc-dichromate dip

Lever

10 C3190-40022 Bail engaging lever - Small item that holds one end of bail cable - Snaps into bail engaging lever support

Roller

11 C4714-60115 Overdrive roller assembly (E-size) - Includes overdrive shaft with rollers, overdrive housing, 2 media deflectors without media button, and media deflector with media button

Spring

12 07575-80012 Bail gear support 'claw' spring - Attached between the bail engaging lever support and the bail gear assembly

13 C3190-80013 Bail cable spring

Support

14 C3190-40021 Bail gear support - The mount for the bail lift cam gear and the bail lift engaging gear (Part of the bail gear assembly)

15 C4713-40016 Bail engaging lever support - Mounted over the left end of the drive roller - Bail engaging lever snaps into this item

Carriage Drive Parts

Belt

16 C4706-60082 Carriage belt (E-size) - Long/wide belt attached to the carriage

Bracket

17 C3190-40040 Left encoder bracket - Holds left end of encoder strip

18 C4713-40017 Right encoder bracket - Holds right end of encoder strip

Cable

19 C4714-60181 Carriage assembly trailing cable (E-size) - Has 60 pin (F) connectors - 1.9m (6.2ft) long

Carriage

20 C4713-60039 Pen carriage assembly - Includes PC board, line sensor, carriage height gauge, carriage bushings, and instructions

Clamp

21 1400-1021 Cable clamp

Clip

22 C3190-00012 Left encoder clip

23 C3190-00013 Right encoder clip

24 C3190-00086 Trailing cable clip



Carriage Drive Parts

Cover

25 C4713-40038 Carriage top cover

Guide

26 C4700-60052 Trailing cable guide (E-size) - Tray used to hold and guide trailing cable

Label

C3178-00030 Carriage label - Shows ink cartridge location

Lubricant

28 6040-0858 Special lubricating oil - For carriage slider rod surface - 4oz (113g) plastic bottle of synthetic oil

Motor

29 C4713-60092 Carriage motor assembly - Includes cable

Pulley

30 C3190-60132 Idler pulley - For main drive belt - On left end of plotter - Includes pulley, shaft and spacer

Spring

31 C4699-00016 Encoder spring

Strip

32 C4714-60098 Encoder strip assembly (E-size) - Includes encoder strip and encoder strip spring

Electronic Accessories

Cable (Interface)

31391A RS-232C serial extension cable - 25 pin (M) to 25 pin (F) - 5.0m (16.4ft) long

C2990A IEEE-1284 Bi-Tronics parallel cable - DB-25 (M) (type A) to 36 pin (M) Centronics (type B) - 1.8m (6ft) long
NO LONGER SUPPLIED

5063-1256 IEEE-1284 Bi-Tronics parallel cable - DB-25 (M) connector (type A) to 36 pin Centronics (M) connector (type B) - 2.0m (6.6ft) long

C2950A IEEE-1284 Bi-Tronics parallel cable - DB-25 (M) connector (type A) to 36 pin Centronics (M) connector (type B) - 2.0m (6.6ft) long

5063-1256 *New Part for C2950A*

5063-1257 IEEE-1284 Bi-Tronics parallel cable - DB-25 (M) connector (type A) to 36 pin Centronics (M) connector (type B) - 3.0m (9.8ft) long

C2951A IEEE-1284 Bi-Tronics parallel cable - DB-25 (M) connector (type A) to 36 pin Centronics (M) connector (type B) - 3.0m (9.8ft) long

C2991A IEEE-1284 Bi-Tronics parallel cable - DB-25 (M) (type A) to 36 pin (M) Centronics (type B) - 3.0m (10ft) long
NO LONGER SUPPLIED

17255M RS-232C serial cable - 25 pin (M) to 25 pin (M) - 1.0m (3.3ft) long
NO LONGER SUPPLIED

C2913A RS-232C serial cable - 25 pin (M) to 25 pin (F) - 1.2m (3.9ft) long
NO LONGER SUPPLIED

17302A RS-232C serial cable - 25 pin (M) to 8 pin (M) DIN - 1.5m (4.9ft) long
NO LONGER SUPPLIED

92219M RS-232C serial cable - 25 pin (M) to 9 pin (M) - 1.5m (4.9ft) long
NO LONGER SUPPLIED

17355M RS-232C serial cable - 25 pin (M) to 25 pin (M) - 3.0m (9.8ft) long
NO LONGER SUPPLIED

24542G RS-232C serial cable - 25 pin (M) to 9 pin (F) - 3.0m (9.8ft) long - Used to connect to HP Vectra and IBM PC/AT compatibles

13242G RS-232C cable - 25 pin (M) to 25 pin (M) - 5.0m (16ft) long
NO LONGER SUPPLIED



Electronic Accessories

Firmware

C6082-60074 Firmware upgrade kit - Upgrades to version A.01.06

Interface (Product)

J2591A External JetDirect LAN interface module and power module - Has EtherTwist (10Base-T) and ThinLAN (10Base-2) connectors
NO LONGER SUPPLIED

J3264A External JetDirect 500X token ring interface module - Interfaces up to 3 parallel printers to a token ring (DB-9 or RJ-45) LAN

J3265A External JetDirect 500X LAN interface module - Interfaces up to 3 parallel printers to an ethernet 10Base-T (RJ-45), 10Base2 (BNC), or 100Base-TX (RJ-45) LAN

Memory (Product)

C3132A 4MB, 70nS, 36-bit SIMM memory module - For HP LaserJet 4P, 4+, 4V, 5, 5N, 5M, 5P, 5Si
NO LONGER SUPPLIED

C3146-67901 New Part for C3132A

C3133A 8MB, 70nS, 36-bit SIMM memory module - For HP LaserJet 4P, 4+, 4V, 5, 5N, 5M, 5P, 5Si
NO LONGER SUPPLIED

C3146-67901 New Part for C3133A

C3146A 16MB, 70nS, 36-bit SIMM memory module upgrade - Includes one SIMM

C3146-67901 New Part for C3146A

D2297A 16MB, 70nS, 36-bit parity SIMM memory module
NO LONGER SUPPLIED

D3578A 32MB, 70nS, 36-bit parity SIMM memory module
NO LONGER SUPPLIED

Memory (SIMM)

C3132-67901 4MB, 70nS, 36-bit parity SIMM memory module
NO LONGER SUPPLIED

C3146-67901 New Part for C3132-67901

C3133-67901 8MB, 70nS, 36-bit parity SIMM memory module
NO LONGER SUPPLIED

C3146-67901 New Part for C3133-67901

C3146-67901 16MB SIMM memory module

D2297-69001 16MB, 70nS, 36-bit SIMM memory module
REQUIRES RETURN OF DEFECTIVE PART

D2297-63001 New Part for D2297-69001

D3578-69001 32MB, 70nS, 36-bit parity SIMM memory module
REQUIRES RETURN OF DEFECTIVE PART

D3578-63001 New Part for D3578-69001

Module

J2591-69001 External JetDirect LAN interface module with ethertwist (10Base-T) and ThinLAN (10BASE-2) connectors

J2593-69001 External JetDirect LAN interface module with Ethertwist (10Base-T) and ThinLAN (10BASE-2) input connectors and 3 parallel (DB-25) output connectors - (part of J2593A)

J2594-69001 External JetDirect token ring interface module with DB-9 and RJ-45 input connectors and 3 parallel (DB-25) output connectors - (part of J2594A)
REQUIRES RETURN OF DEFECTIVE PART

J2594-61011 New Part for J2594-69001

Power Module

0950-3348 Wall mount power supply module (MEI-AH ED12006) - 110-127VAC input, 57-63Hz - 13VDC output, 800mA, 10.4 watts (for use in the United States and Canada) - For models J2590/91/93/94A, J2964A, J3258A/B, J3263/64/65A, J3282B, J4101A/B, J4102A/B

0950-3349 Wall mount power supply module (MEI-AH ED12007) - 230VAC input, 47-53Hz - 13VDC output, 800mA, 10.4 watts (for use in Europe and Israel) - For JetDirect/infrared interface models J2590/91/93/94A, J2964A, J3258A/B, J3263/64/65A, J3282B, J4101A/B, J4102A/B



Electronic Accessories

Power Module

0950-3350	Wall mount power supply module (MEI-AH ED12008) - 220-240VAC input, 47-53Hz - 13VDC output, 800mA, 10.4 watts (for use in the United Kingdom) - For JetDirect/infrared interfaces J2590/91/93/94A, J2964A, J3258A/B, J3263/64/65A, J3282B, J4101A/B, J4102A/B
0950-3351	Wall mount power supply module (MEI-AH ED12009) - 220VAC input, 47-63Hz - 13VDC output, 800mA, 10.4 watts (for use in South Korea) - For JetDirect/infrared interface models J2590/91/93/94A, J2964A, J3258A/B, J3263/64/65A, J3282B, J4101A/B, J4102A/B
0950-3352	Wall mount power supply module (MEI-AH ED12010) - 100VAC input, 47-63Hz - 13VDC output, 800mA, 10.4 watts (for use in Japan) - For JetDirect/infrared interface models J2590/91/93/94A, J2964A, J3258A/B, J3263/64/65A, J3282B, J4101A/B, J4102A/B
0950-3354	Wall mount power supply module (MEI-AH ED12010) - 220-250VAC input, 47-53Hz - 13VDC output, 800mA, 10.4 watts (for use in South Africa) - For JetDirect/infrared interface models J2590/91/93/94A, J2964A, J3258A/B, J3263/64/65A, J3282B, J4101A/B, J4102A/B
9100-5176	Wall mount power supply module (Leader Electronics 48130625HK) - 200VAC input, 48-52Hz - 13VDC output, 625mA (Hong Kong) - For JetDirect Modules and Infrared Interface Models J2590/91/93/94A, J2964A, J3258A/B, J3263/64/65A, J3282B, J4101A/B, J4102A/B
0950-3350	<i>New Part for 9100-5176</i>

Electronics/Power Supply

Front Panel

71	C4713-60091	Front panel assembly - Complete
----	-------------	---------------------------------

Module

72	C4713-69203	Electronics module - Contains power supply, main logic board, interface connectors, and fan REQUIRES RETURN OF DEFECTIVE PART
	C4713-60203	<i>New Part for C4713-69203</i>

Power Cord

8120-1351	Power cord (Mint Gray) - 17 AWG, 2.3m (7.5ft) long - Has straight (F) receptacle (For 240V in the UK, Hong Kong, Singapore, Malaysia, and Brunei)
8120-1369	Power cord (Mint Gray) - 17 AWG, 2.0m (6.6ft) long - Has straight (F) receptacle (For 240V in Australia, New Zealand, and China)
8120-1689	Power cord (Mint Gray) - 17 AWG, 2.0m (6.6ft) long - Has straight (F) receptacle (For 220V in Europe, Bangladesh, Indonesia, Pakistan, Burma, Sri Lanka, and Vietnam)
8120-1751	Power cord (Black) - 18 AWG, 2.3m (7.5ft) long - Has straight (F) receptacle (For 120V, 10A in the USA, Canada, Chile, Argentina, and Taiwan)
8120-2104	Power cord (Mint Gray) - 2.0m (6.6ft) long - Has straight (F) receptacle (For 220V in Switzerland)
8120-2956	Power cord (Mint Gray) - 2.0m (6.6ft) long - Has straight (F) receptacle (For 220V in Denmark)
8120-4753	Power cord (Flint Gray) - 18 AWG, 2.3m (7.5ft) long - Has straight (F) receptacle (For 100V in Japan)

Other Accessories

CD-ROM (Support)

C7769-90066	DesignJet support CD ROM - Version A.04.01 - Has product information, user's manuals, service manuals, diagnostic software, test drawings, newsletters, and service notes
-------------	---

Cartridge

51640A	Black print cartridge (w/ level indicator) - Prints approx.1120 pages based on 5% density on a 8 inch by 10 inch print area (for USA)
51640AA	Black print cartridge (with level indicator) - Prints approx.1120 pages based on 5% density on a 8 inch by 10 inch print area (for Asia/Pacific)
51640AE	Black print cartridge (with level indicator) - Prints approx.1120 pages based on 5% density on a 8 inch by 10 inch print area (for Europe)
51640AL	Black print cartridge (with level indicator) - Prints approx.1120 pages based on 5% density on a 8 inch by 10 inch print area (for Latin America)
51644C	Cyan (Blue) ink cartridge (for USA)
51644CA	Cyan (Blue) ink cartridge (for Asia/Pacific)



Other Accessories

Cartridge

51644CE	Cyan (Blue) ink cartridge (for Europe)
51644CL	Cyan (Blue) ink cartridge (for Latin America)
51644M	Magenta (Red) ink cartridge (for USA)
51644MA	Magenta (Red) ink cartridge (for Asia/Pacific)
51644ME	Magenta (Red) ink cartridge (for Europe)
51644ML	Magenta (Red) ink cartridge (for Latin America)
51644Y	Yellow ink cartridge (for USA)
51644YA	Yellow ink cartridge (for Asia/Pacific)
51644YE	Yellow ink cartridge (for Europe)
51644YL	Yellow ink cartridge (for Latin America)

Cleaning Supplies

C6247A	DesignJet cleaning kit - Includes cleaning solution and 20 cleaning rags
--------	--

Lubricant

98 6040-0858	Special lubricating oil - For carriage slider rod surface - 4oz (113g) plastic bottle of synthetic oil
99 C3190-60155	Grease - For helical gear (Drive roller gear)

Manual

5959-9733	HP-GL/2 & HP RTL reference guide - Programming information, handbook for developers
5959-9734	Comparison guide for HP-GL/2 and RTL peripherals (English)

Manual Kit

5021-0377	HP-GL/2, PCL5 and PJI technical reference manual kit
C4713-60041	Manual kit - Includes quick reference guide, user guide and unpacking/assembly instructions (English)
C4713-60045	Manual kit - Includes quick reference guide, user guide and unpacking/assembly instructions (French)
C4713-60046	Manual kit - Includes quick reference guide, user guide and unpacking/assembly instructions (Spanish)
C4713-60048	Manual kit - Includes quick reference guide, user guide and unpacking/assembly instructions (Japanese)
C4713-60049	Manual kit - Includes quick reference guide, user guide and unpacking/assembly instructions (Portuguese)
C4713-60187	Manual kit - Includes quick reference guide, user guide and unpacking/assembly instructions (Italian)
C6082-60002	Manual kit - Includes quick reference guide, user guide and unpacking/assembly instructions (Korean)
C6082-60003	Manual kit - Includes quick reference guide, user guide and unpacking/assembly instructions (Taiwan)
C6082-60010	Manual kit - Includes quick reference guide, user guide and unpacking/assembly instructions (Simplified Chinese)

Return Kit

5183-5268	Return kit with box and instructions - For returning defective Thermal InkJet (TIJ) 2.5 InkJet cartridges covered under the CREW program - For USA
5184-2833	Return kit with box and instructions - For returning defective Thermal InkJet (TIJ) 2.5 InkJet cartridges covered under the CREW program - For use outside of the USA

Software

C4713-10041	DesignJet 430/450C/455CA Toolbox for Windows 95 (English) - On 3.5-inch floppy disk
C6072-60281	Toolbox and driver software - HP-GL/2 and RTL drivers for Windows 3.1/95/98/NT 4.0 (all DesignJets), and toolbox software for Windows 95/NT 4.0 (Only for DesignJet 430/450C/455CA/1050C/1055CM) - On 3.5-inch 1.44MB floppy disks (English)
C6072-60284	Toolbox and driver software - HP-GL/2 and RTL drivers for Windows 3.1/95/98/NT 4.0 (all DesignJets), and toolbox software for Windows 95/NT 4.0 (Only for DesignJet 430/450C/455CA/1050C/1055CM) - On 3.5-inch 1.44MB floppy disks (German)
C6072-60285	Toolbox and driver software - HP-GL/2 and RTL drivers for Windows 3.1/95/98/NT 4.0 (all DesignJets), and toolbox software for Windows 95/NT 4.0 (Only for DesignJet 430/450C/455CA/1050C/1055CM) - On 3.5-inch 1.44MB floppy disks (French)
C6072-60286	Toolbox and driver software - HP-GL/2 and RTL drivers for Windows 3.1/95/98/NT 4.0 (all DesignJets), and toolbox software for Windows 95/NT 4.0 (Only for DesignJet 430/450C/455CA/1050C/1055CM) - On 3.5-inch 1.44MB floppy disks (Spanish)



Other Accessories

Software

C6072-60287	Toolbox and driver software - HP-GL/2 and RTL drivers for Windows 3.1/95/98/NT 4.0 (all DesignJets), and toolbox software for Windows 95/NT 4.0 (Only for DesignJet 430/450C/455CA/1050C/1055CM) - On 3.5-inch 1.44MB floppy disks (Italian)
C6072-60301	HP-GL/2 driver software for AutoCAD - For DOS and Windows 3.1/95/NT 4.0 - On 3.5-inch 1.44MB floppy disks (English)
C6072-60304	HP-GL/2 driver software for AutoCAD - For DOS and Windows 3.1/95/NT 4.0 - On 3.5-inch 1.44MB floppy disks (German)
C6072-60305	HP-GL/2 driver software for AutoCAD - For DOS and Windows 3.1/95/NT 4.0 - On 3.5-inch 1.44MB floppy disks (French)
C6072-60306	HP-GL/2 driver software for AutoCAD - For DOS and Windows 3.1/95/NT 4.0 - On 3.5-inch 1.44MB floppy disks (Spanish)
C6072-60307	HP-GL/2 driver software for AutoCAD - For DOS and Windows 3.1/95/NT 4.0 - On 3.5-inch 1.44MB floppy disks (Italian)

Training Kit

C4713-60118	Self-paced training kit for DesignJet 430/450C/455CA/488CA - Includes video in PAL format, and CD-ROM containing user's and service manuals
C4713-60119	Self-paced training kit for DesignJet 430/450C/455CA/488CA - Includes video in NTSC format, and CD-ROM containing user's and service manuals

Other External Parts

Clip

C4699-60072	Cable clip
-------------	------------

Cover

128	C4713-00011	SIMM cover plate
129	C4713-40029	Left end cover
130	C4713-60030	Right end cover
131	C4714-60014	Top cover assembly (E-size)
132	C4714-60097	Back cover assembly (E-size)

Deflector

133	C4713-60117	Media deflector with media button - The media deflector furthest to the right side - Includes media load button
-----	-------------	---

Guide

134	C4713-60184	Rollfeed guide kit - Left and right guides mounted under printer - Used to attach rollfeed housings to the printer
-----	-------------	--

Holder

C3190-40052	Holder - For quick reference guide
-------------	------------------------------------

Keycap

136	C4713-40046	Power switch button/keycap
-----	-------------	----------------------------

Label

5961-3524	Serial number label
C4705-00017	Instruction label

Nameplate/Logo

C4715-00013	Nameplate - DesignJet 450C
-------------	----------------------------

Overlay

C4713-60171	Front panel overlay (Self adhesive) - Shows the function of the front panel buttons and indicator lights (English)
C4713-60172	Front panel overlay (Self adhesive) - Shows the function of the front panel buttons and indicator lights (Korean)
C4713-60173	Front panel overlay (Self adhesive) - Shows the function of the front panel buttons and indicator lights (Taiwanese)
C4713-60174	Front panel overlay (Self adhesive) - Shows the function of the front panel buttons and indicator lights (German)
C4713-60175	Front panel overlay (Self adhesive) - Shows the function of the front panel buttons and indicator lights (French)
C4713-60176	Front panel overlay (Self adhesive) - Shows the function of the front panel buttons and indicator lights (Spanish)



Other External Parts

Overlay

C4713-60177	Front panel overlay (Self adhesive) - Shows the function of the front panel buttons and indicator lights (Italian)
C4713-60178	Front panel overlay (Self adhesive) - Shows the function of the front panel buttons and indicator lights (Japanese)
C4713-60179	Front panel overlay (Self adhesive) - Shows the function of the front panel buttons and indicator lights (Portuguese)
C4713-60180	Front panel overlay (Self adhesive) - Shows the function of the front panel buttons and indicator lights (Chinese)

Platen

150	C4714-60114	Entry Platen Assembly (E-size) - Curved cover/guide that is next to the paper drive (Platen) roller
-----	-------------	---

Other Internal Parts

Cutter

151	C4713-60040	Cutter assembly - Mounts on carriage slide rod to the right of the carriage
-----	-------------	---

Primer

152	C4713-60023	Primer assembly - Mounted on left side of plotter
-----	-------------	---

Service Station

153	C3190-60142	Service station assembly
-----	-------------	--------------------------

Spittoon

154	C4713-60017	Spittoon assembly - Contains absorbers which hold excess ink from cartridges
-----	-------------	--

Trim

155	C4713-40022	Right trim assembly - At right of entry platen
156	C4713-40023	Left trim assembly - At left of entry platen

Paper Drive Parts

Cable

216	C3180-60012	Ribbon cable - Has 5 pin (F) connectors - 16.3cm (6.4 inches) long
-----	-------------	--

Lubricant

217	C3190-60155	Grease - For helical gear (Drive roller gear)
-----	-------------	---

Motor/Gear

218	C4713-60094	Paper (X-axis) drive motor (Includes helical drive gear) - NOTE: motor and gear are only sold as an assembly
-----	-------------	--

Roller

219	C4700-60042	Paper drive (Platen) roller assembly - Long gear driven roller - Includes roller and mark encoder
-----	-------------	---

Paper and Other Media

Film (Clear)

C3876A	Clear film (4 mil) - 61cm (24in) x 22.9m (75ft) roll
C3875A	Clear film (4 mil) - 91.4cm (36in) x 22.9m (75ft) roll

Film (Glossy)

C1829A	High-gloss white film - A1 size (59.4cm x 84.1cm) - 125 sheets NO LONGER SUPPLIED
C1827A	High-gloss white film - Architectural D size (24 x 36-inches) - 100 sheets NO LONGER SUPPLIED
C3886A	High gloss white film (4 mil) - 61cm (24in) x 30.5m (100ft) roll
C1828A	High-gloss white film - A0 size (84.1cm x 118.9cm) - 125 sheets NO LONGER SUPPLIED
C1826A	High-gloss white film - Architectural E size (36 x 48-inches) - 100 sheets NO LONGER SUPPLIED
C3885A	<i>New Part for C1826A</i>
C3885A	High gloss white film (4 mil) - 91.4cm (36in) x 30.5m (100ft) roll



Paper and Other Media

Film (Matte)

51642C	Polyester matte film - B size (11 x 17-inches) - 40 sheets NO LONGER SUPPLIED
51642A	<i>New Part for 51642C</i>
51642F	Polyester matte film - A3 size (29.7cm x 42.0cm) - 40 sheets NO LONGER SUPPLIED
51642G	Polyester matte film - D size (22 x 34-inches) - 40 sheets NO LONGER SUPPLIED
51642A	<i>New Part for 51642G</i>
51642H	Polyester matte film - A1 size (59.4cm x 84.1cm) - 40 sheets NO LONGER SUPPLIED
51642A	Polyester matte film - 61cm (24in) x 36.6m (120ft) roll
51642J	Polyester matte film - Architectural D size (24 x 36-inches) - 40 sheets NO LONGER SUPPLIED
51642A	<i>New Part for 51642J</i>
51642M	Polyester matte film - A0 size (84.1cm x 118.9cm) - 40 sheets NO LONGER SUPPLIED
51642K	Polyester matte film - E size (34 x 44-inches) - 40 sheets NO LONGER SUPPLIED
51642B	Polyester matte film - 91.4cm (36in) x 36.6m (120ft) roll
51642N	Polyester matte film - Architectural E size (36 x 48-inches) - 40 sheets NO LONGER SUPPLIED

Paper (Bright White)

C6810A	Bright white InkJet paper - 91.4cm (36in) x 91.4m (300ft) roll
C1860A	Bright white InkJet paper - 61cm (24in) x 45.7m (150ft) roll
C6035A	Bright white InkJet paper - 61cm (24in) x 45.7m (150ft) roll
C1861A	Bright white InkJet paper - 91.4cm (36in) x 45.7m (150ft) roll
C6036A	Bright white InkJet paper - 91.4cm (36in) x 45.7m (150ft) roll

Paper (Coated)

C8281A	Basic Coated Paper - 61cm (24in) x 45.7m (150ft) (USA and Asia/Pacific)
C8282A	Basic Coated Paper - 91.4cm (36in) x 45.7m (150ft) roll (USA and Asia/Pacific)
C1831A	Coated paper - D size (22 x 34-inches) - 100 sheets NO LONGER SUPPLIED
C1835A	Coated paper - A1 size (59.4cm x 84.1cm) - 125 sheets NO LONGER SUPPLIED
C1833A	Coated paper - Architectural D size (24 x 36-inches) - 100 sheets NO LONGER SUPPLIED
C3880A	Heavyweight coated paper (6 mil) - 61cm (24in) x 30.5m (100ft) roll NO LONGER SUPPLIED
C6019B	Coated paper (98 gsm) - 61cm (24in) x 45.7m (150ft) roll (USA, Canada, and Latin America)
C6021B	Heavyweight coated paper - 61cm (24in) x 30.5m (100ft) roll (USA, Canada, and Latin America) NO LONGER SUPPLIED
C6029B	Heavyweight coated paper - 61cm (24in) x 30.5m (100ft) roll (Europe, Asia/Pacific, and Japan) NO LONGER SUPPLIED
C6029C	Heavyweight coated paper - 61cm (24in) x 30.5m (100ft) roll - For regular or UV resistant ink
C1834A	Coated paper - A0 size (84.1cm x 118.9cm) - 125 sheets NO LONGER SUPPLIED
C1830A	Coated paper - E size (34 x 44-inches) - 100 sheets NO LONGER SUPPLIED
C1832A	Coated paper - Architectural E size (36 x 48-inches) - 100 sheets NO LONGER SUPPLIED



Paper and Other Media

Paper (Coated)

C3879A	Heavyweight coated paper (6 mil) - 91.4cm (36in) x 30.5m (100ft) roll NO LONGER SUPPLIED
C6020B	Coated paper (98 gsm) - 91.4cm (36in) x 45.7m (150ft) roll (USA, Canada, and Latin America)
C6022B	Heavyweight coated paper - 91.4cm (36in) x 30.5m (100ft) roll (USA, Canada, and Latin America) NO LONGER SUPPLIED
C6030B	Heavyweight coated paper - 91.4cm (36in) x 30.5m (100ft) roll (Europe, Asia/Pacific, and Japan) NO LONGER SUPPLIED
C6030C	Heavyweight coated paper - 91.4cm (36in) x 30.5m (100ft) roll - For regular or UV resistant ink

Paper (Glossy)

C3882A	High gloss photo paper - 61cm (24in) x 30.5m (100ft) roll
C3881A	High gloss photo paper - 91.4cm (36in) x 30.5m (100ft) roll

Paper (Tracing)

C3869A	Natural tracing paper - 61cm (24in) x 45.7m (150ft) roll
C3868A	Natural tracing paper - 91.4cm (36in) x 45.7m (150ft) roll

Paper (Translucent)

C3891A	Translucent bond paper - D size (22 x 34-inches) - 100 sheets NO LONGER SUPPLIED
C3893A	Translucent bond paper - A1 size (59.4cm x 84.1cm) - 125 sheets NO LONGER SUPPLIED
C3860A	Translucent bond paper - 61cm (24in) x 45.7m (150ft) roll
C3896A	Translucent bond paper - Architectural D size (24 x 36-inches) - 100 sheets NO LONGER SUPPLIED
C3892A	Translucent bond paper - A0 size (84.1cm x 118.9cm) - 125 sheets NO LONGER SUPPLIED
C3890A	Translucent bond paper - E size (34 x 44-inches) - 100 sheets NO LONGER SUPPLIED
C3859A	Translucent bond paper - 91.4cm (36in) x 45.7m (150ft) roll
C3894A	Translucent bond paper - Architectural E size (36 x 48-inches) - 100 sheets NO LONGER SUPPLIED

Vellum

C3864A	Vellum (75 gsm) - D size (22 x 34-inches), 20 lb, 3.0 mil - 100 sheets NO LONGER SUPPLIED
C3862A	Vellum - 61cm (24in) x 45.7m (150ft) roll
C3866A	Vellum (75 gsm) - Architectural D size (24 x 36-inches), 20 lb, 3.0 mil - 100 sheets NO LONGER SUPPLIED
C3862A	<i>New Part for C3866A</i>
C3863A	Vellum (75 gsm) - E size (34 x 44-inches) 20 lb, 3.0 mil - 100 sheets NO LONGER SUPPLIED
C3861A	Vellum - 91.4cm (36in) x 45.7m (150ft) roll
C3865A	Vellum (75 gsm) - Architectural E size (36 x 48-inches), 20 lb, 3.0 mil - 100 sheets NO LONGER SUPPLIED

Pincharm Assembly Parts

Bushing

220	C1633-40082	Pincharm spring retaining bushing
-----	-------------	-----------------------------------

Cam

221	C1633-20012	Pinch arm bar cam (E-size) - Long rod from left to right side of printer - Used to lift the pinch arms
222	C3190-60149	Left cam journal - Mounted on left end of pincharm shaft



Pincharm Assembly Parts

Handle

223 C4713-40025 Pinchwheel manual lift handle - Paper loading lever

Lever Assembly

224 C4713-60116 Right cam journal assembly - 2 levers and a metal rod

Pincharm

225 C4699-60081 Pincharm assembly - Curved black plastic plate with 4 small rubber rollers (Does NOT include spring or bushing)

Sensor

226 C4713-60034 Pincharm sensor assembly

Spring

227 C1633-80005 Compression spring between pincharm assembly and bushing

228 C4713-80003 Pincharm spring

Roll Feed Assembly Parts

End Cap

C3174-40011 Spindle end cap (2in)

Extension

230 C4713-60038 Media extension kit - Includes 3 extensions

Guide

231 C4713-60184 Rollfeed guide kit - Left and right guides mounted under printer - Used to attach rollfeed housings to the printer

Hub

C4713-60120 Spindle hub kit, small size - Includes 2 small hubs and install guide - (China)

Rollfeed Kit

233 C4719A E/A0 rollfeed kit - Includes left and right housing, hubs, spindle, end caps, screwdriver, and screws

Spindle

234 C4719-60005 E/A0 rollfeed spindle rod assembly - Includes spindle, hubs, and end caps

Spindle Kit

C6239A E/A0 rollfeed spindle rod assembly for DesignJet 4xx Series - Includes spindle, hubs, and end caps

Stand Parts

Bin

236 C4704-60073 Media bin arm (Loop assembly)

C4713-60147 *New Part for C4704-60073*

Cross-Brace

237 C4704-60077 Cross-brace (E-size) - Main structure that extends between stand legs

Foot

238 C4704-60086 Foot assembly (includes casters)

Hardware Kit

239 C4704-60095 Hardware kit for printer stand - Includes screwdriver, screws, washers, and media bin retaining clips

Leg

240 C4704-60075 Leg assembly - Side support for the plotter - Does NOT include the foot assembly

Stand

C6070A HP DesignJet Stand (D/A1) - Includes legs, casters, brace, wire form paper deflector, and media bin - For E/A0 size DesignJets

Strip

242 C4704-40070 Capping strips (E-size) - Two strips that snap together on the ends of the bin arms

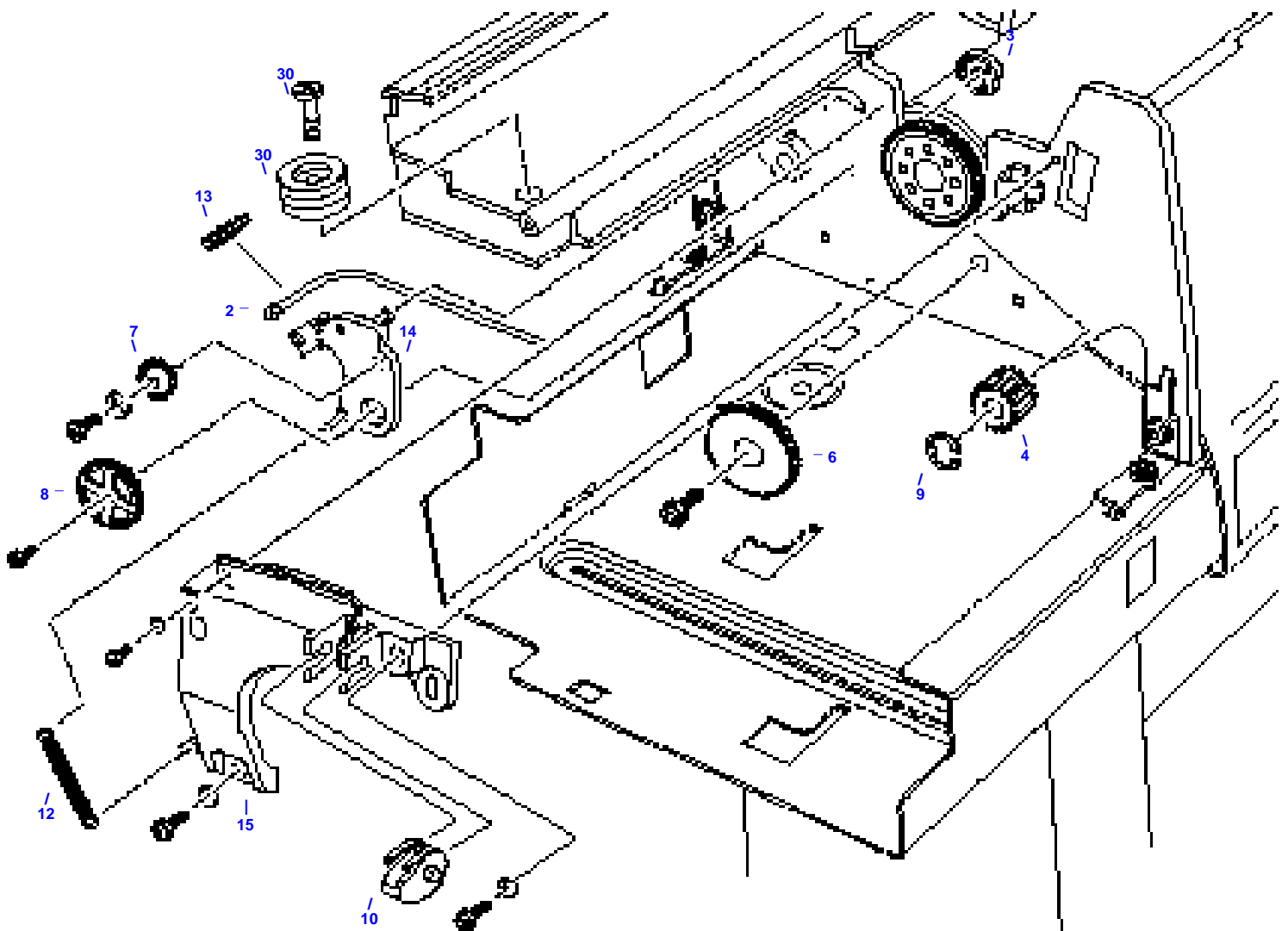


Stand Parts

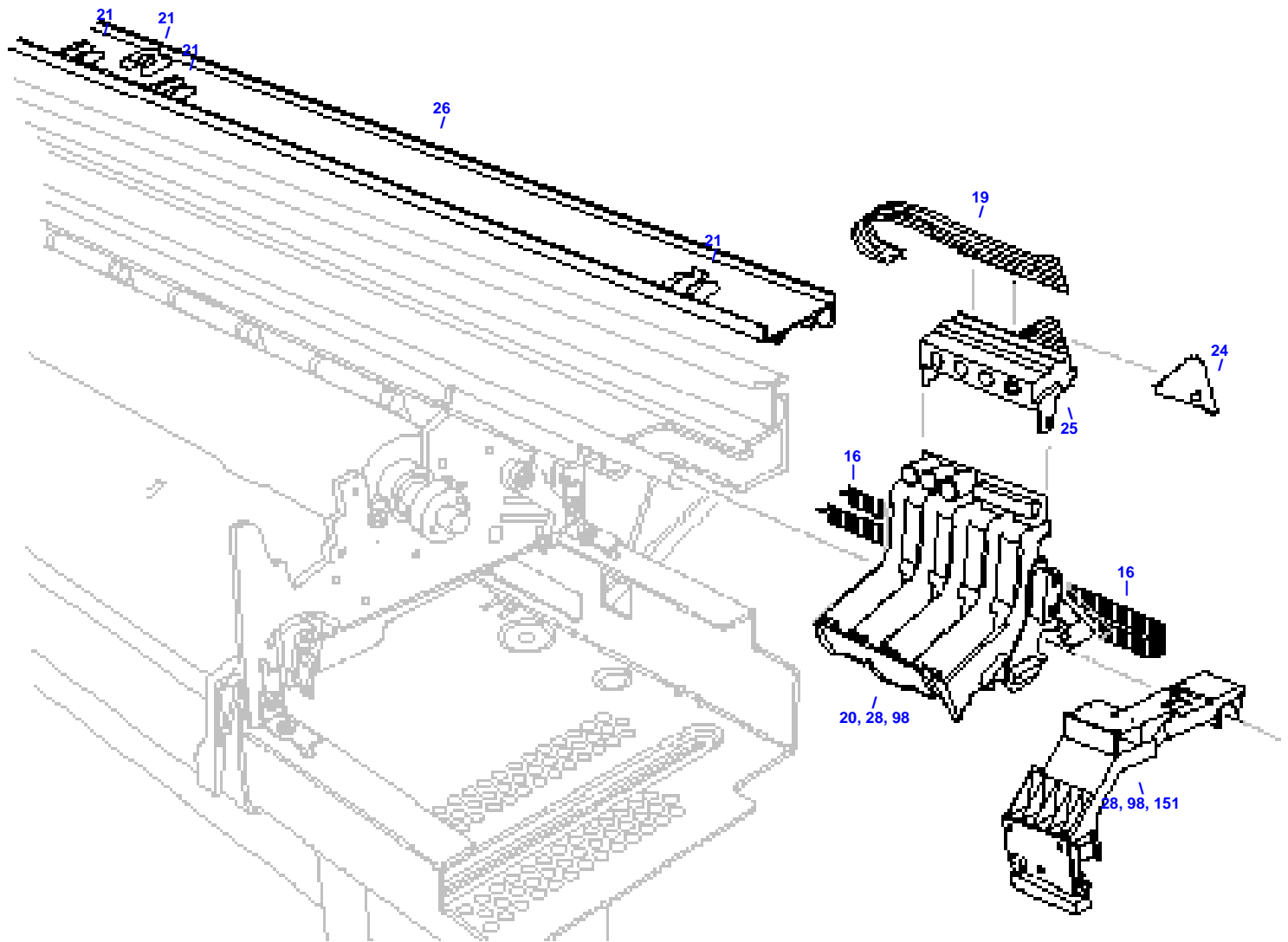
Support

243 C4714-60147 Media bin support (E-size) - Supports media bin arms

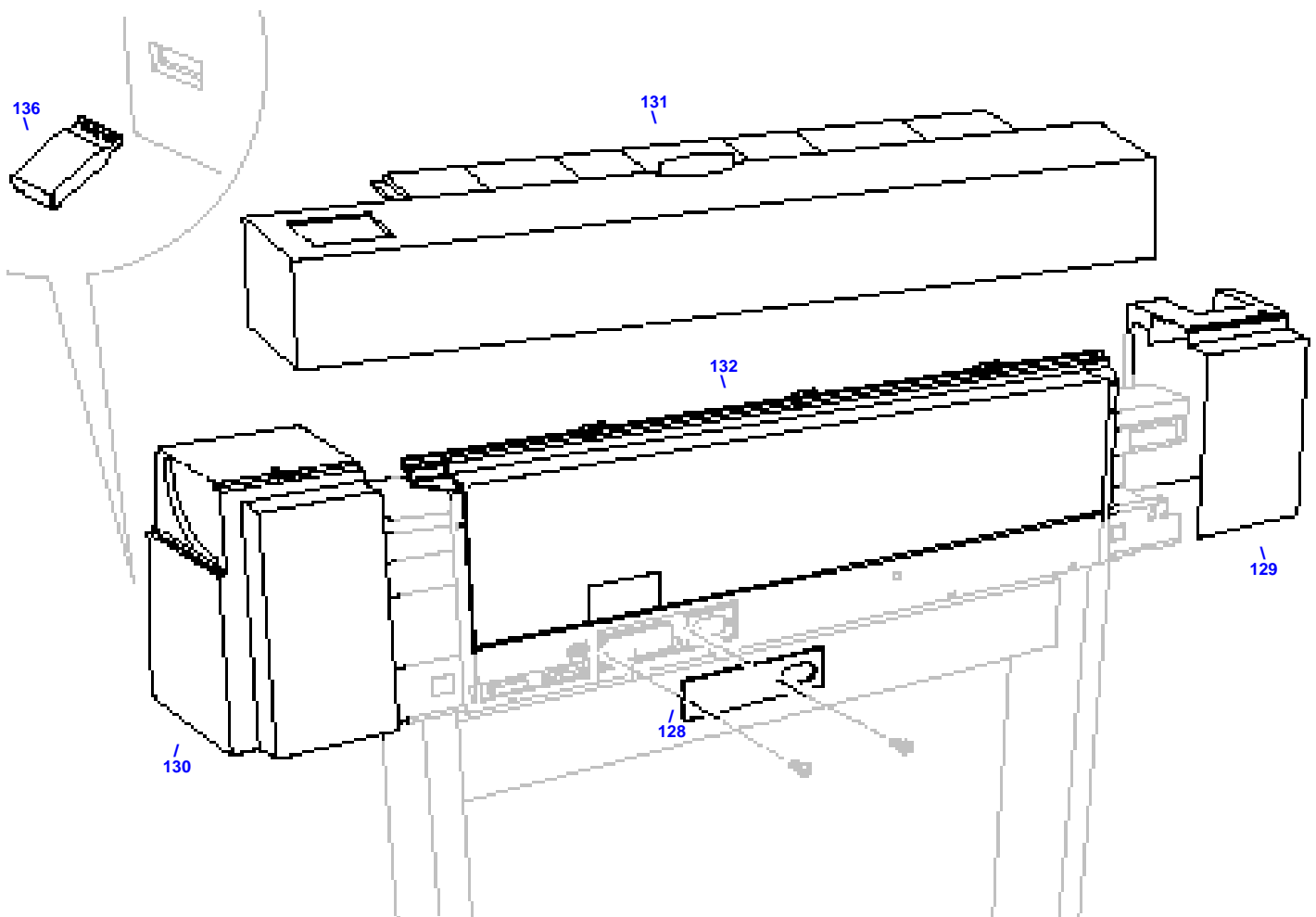
Bail Mechanism, Overdrive Mechanism



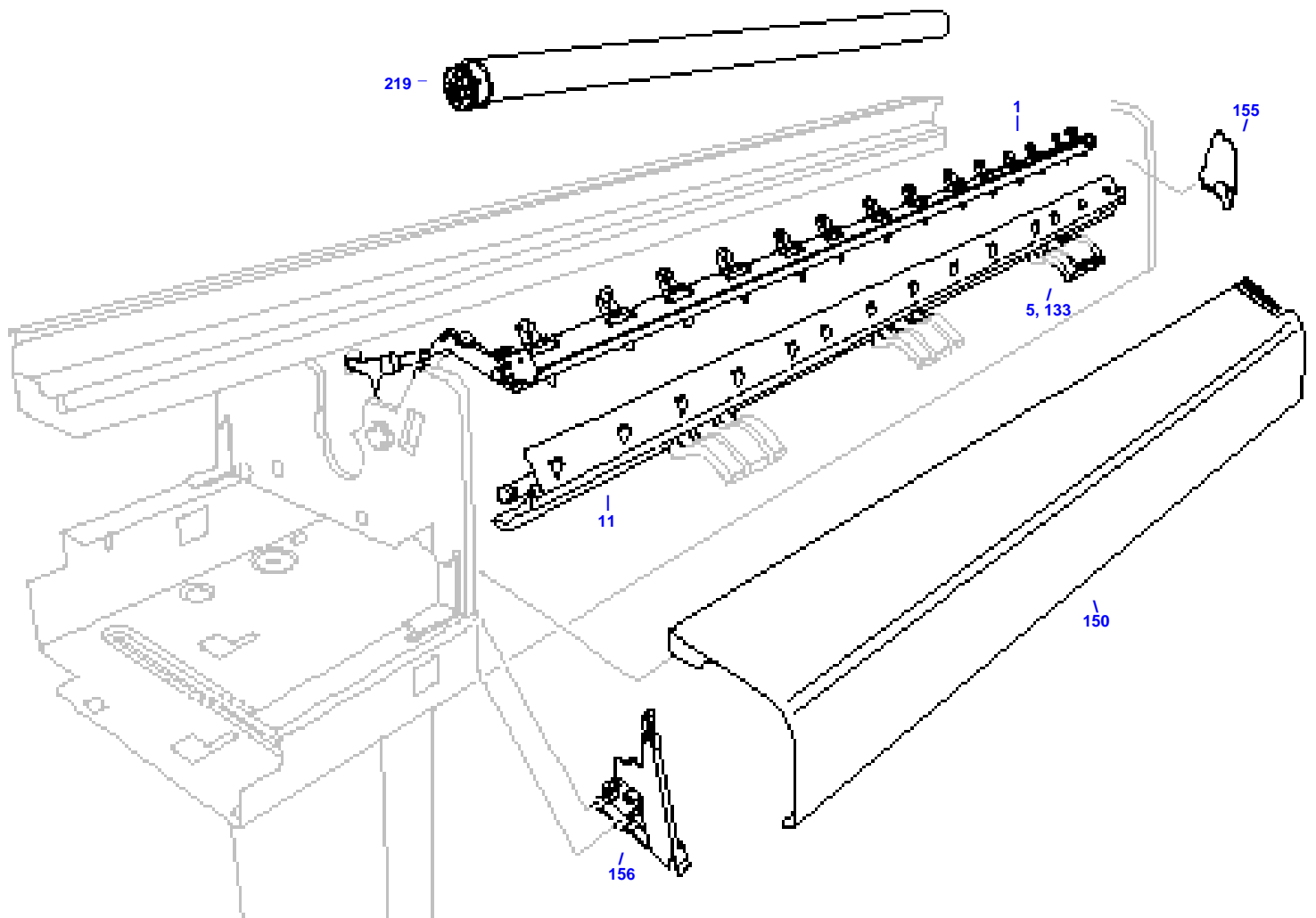
Carriage Assembly, Cutter Assembly, Trailing Cable



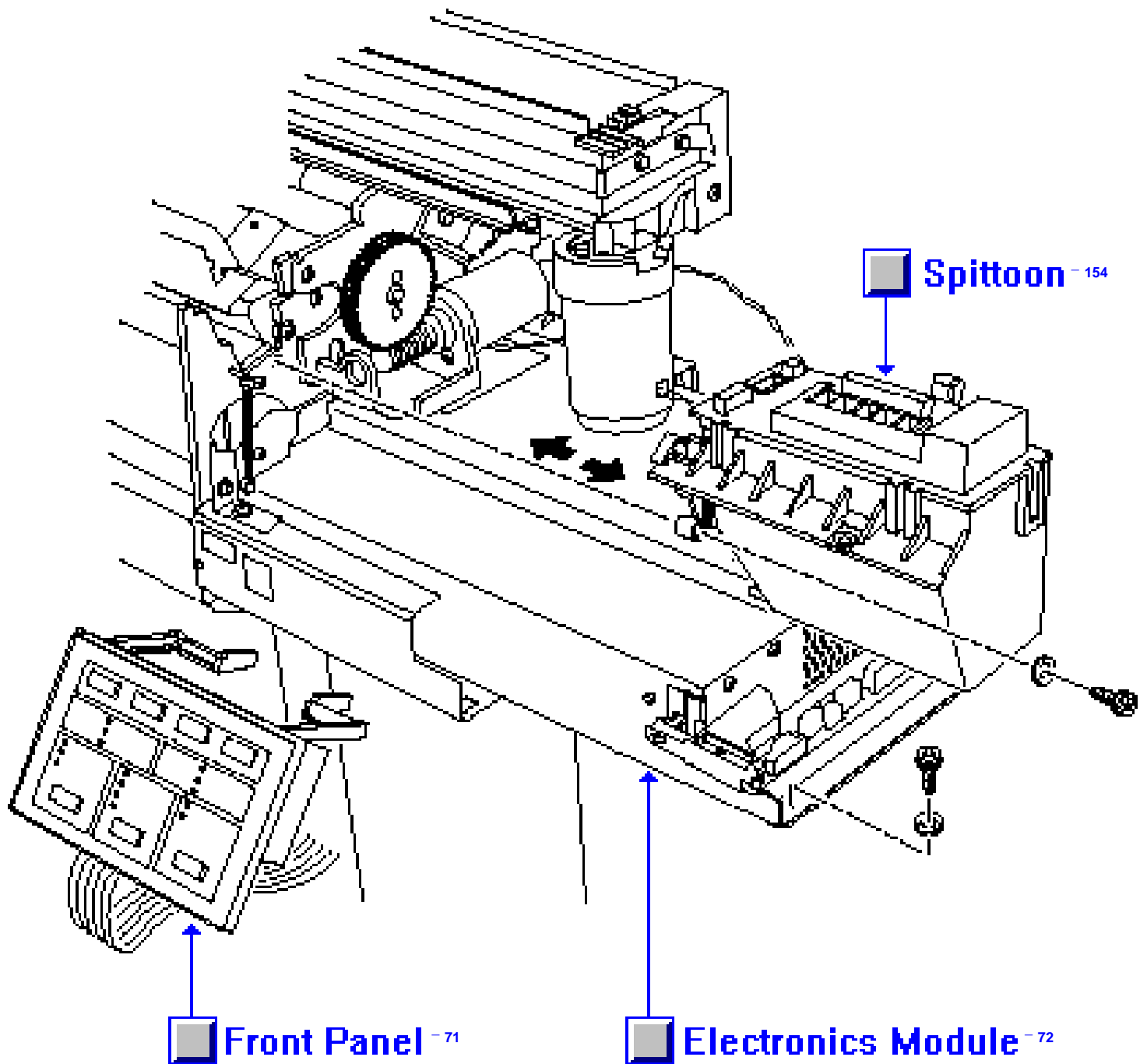
Covers



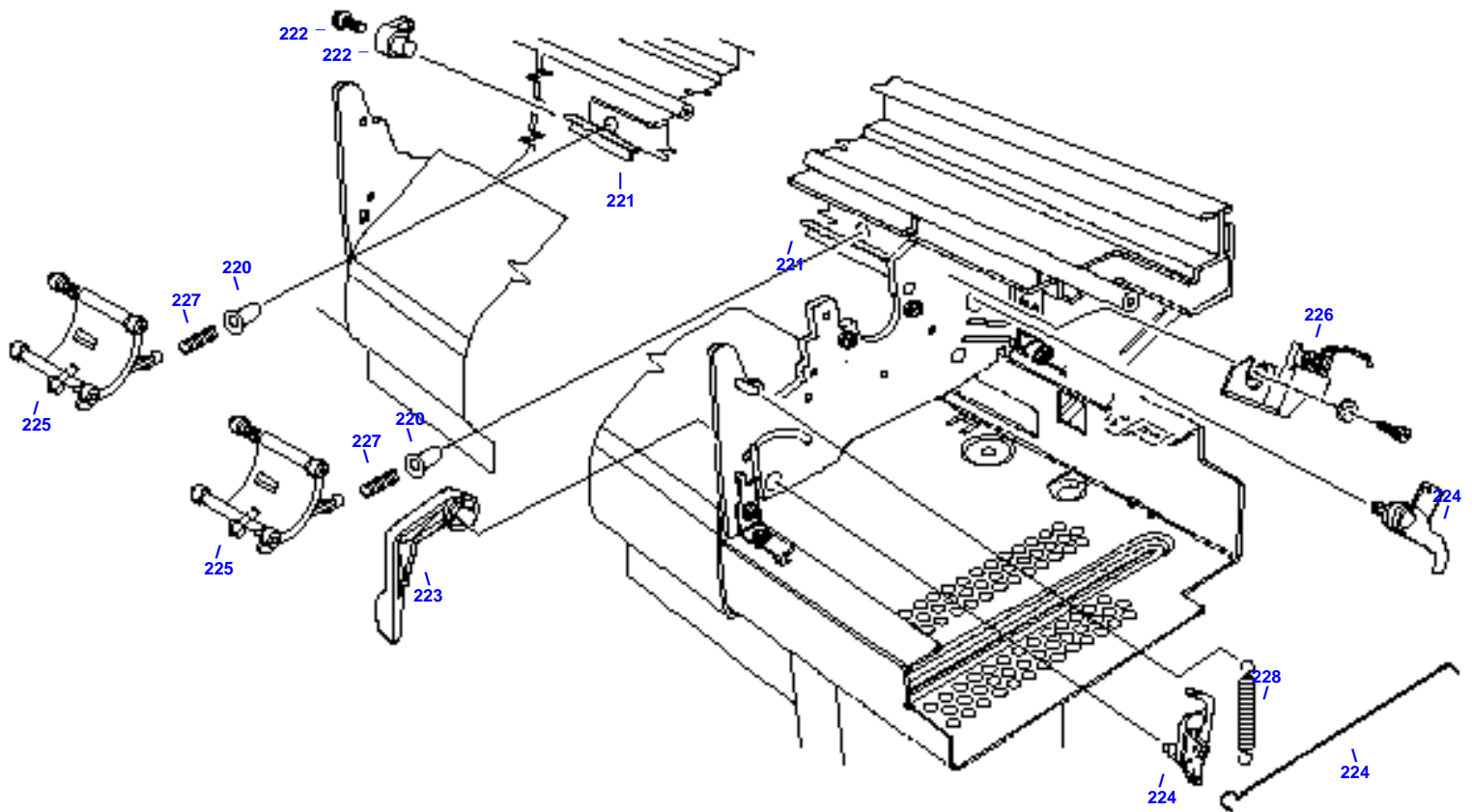
Entry Platen, Drive Roller, Bail Assy, Overdrive Assy



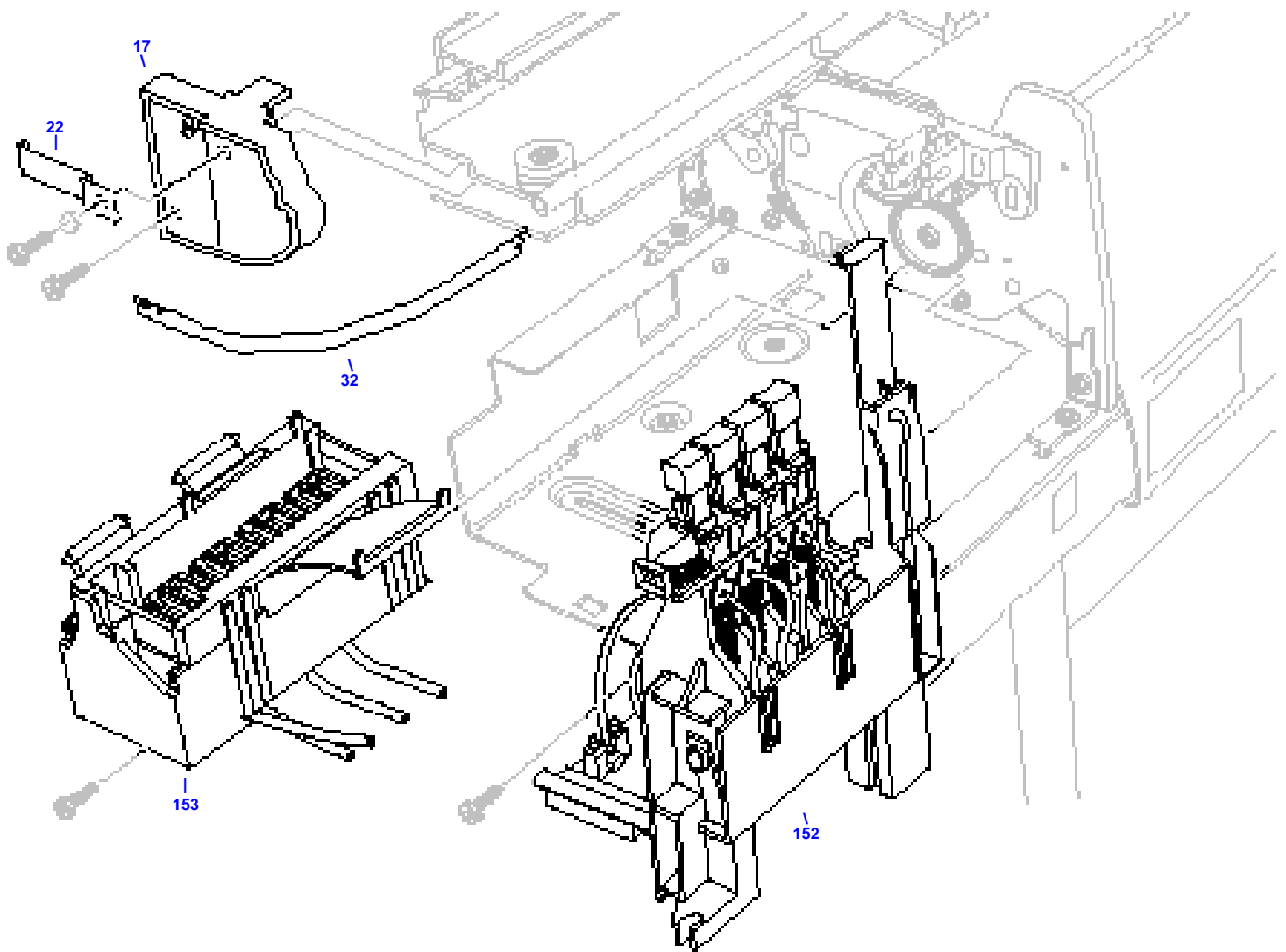
Front Panel, Electronics Module, Spittoon



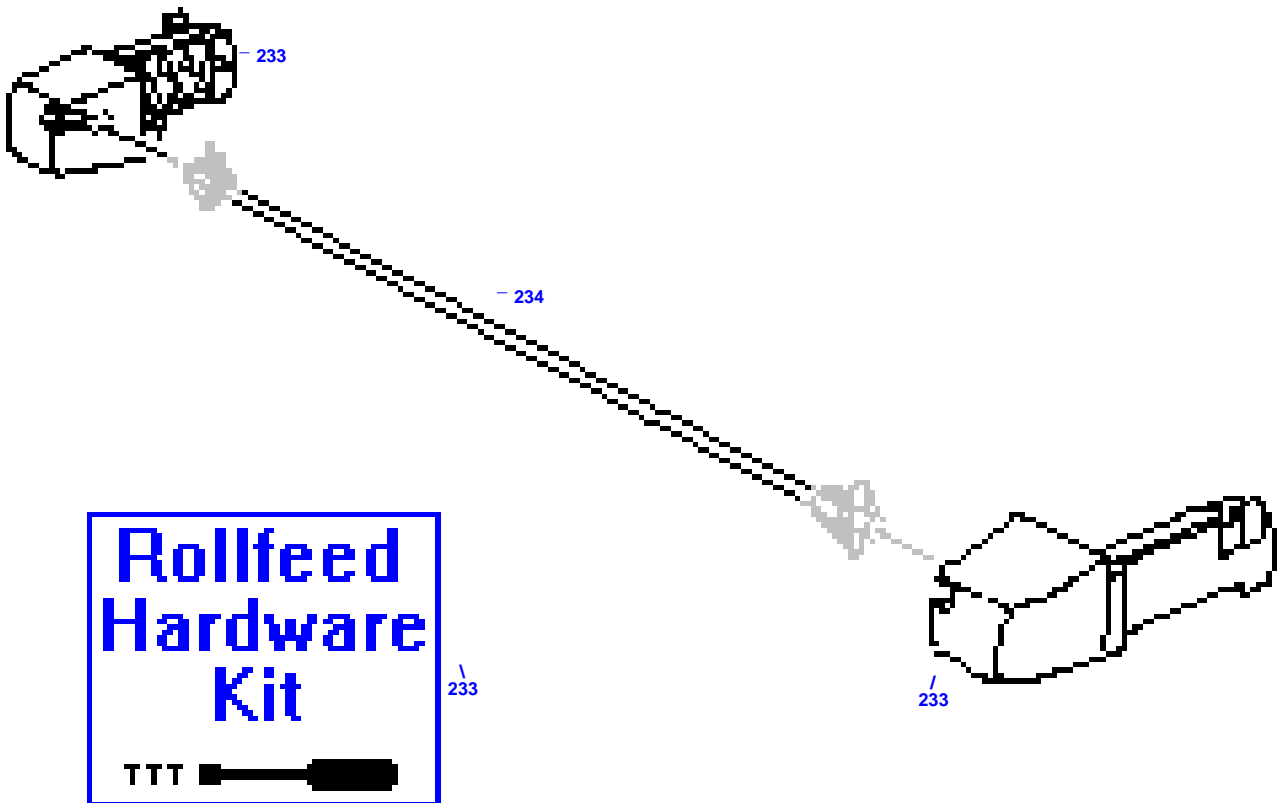
Pincharm Assembly



Primer Assembly, Service Station Assembly

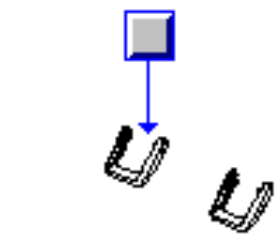


Rollfeed Assembly

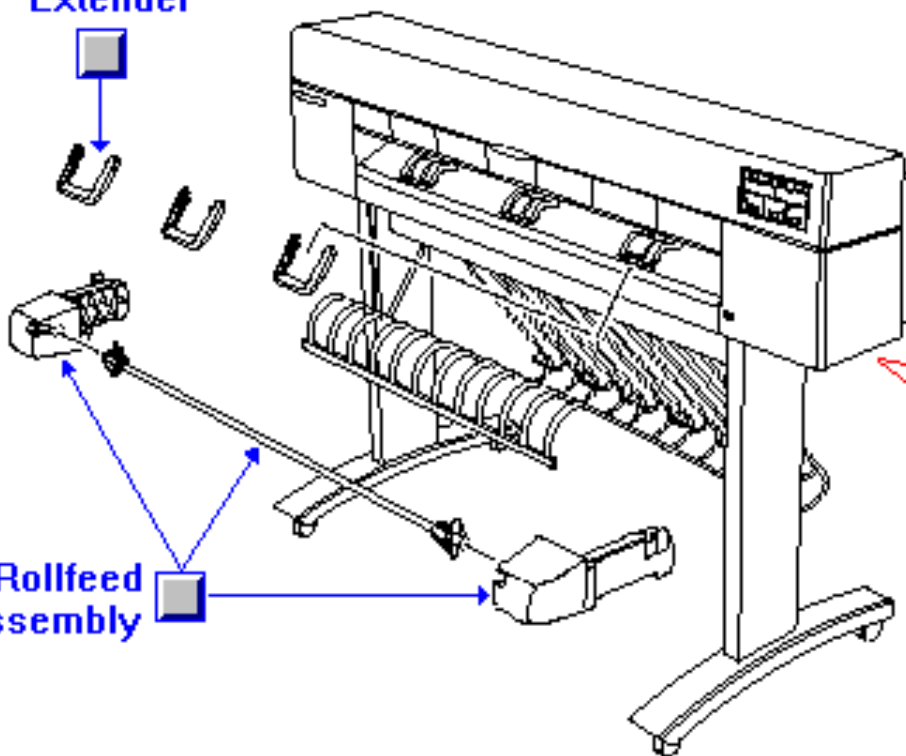


Rollfeed Assembly and Media Extenders

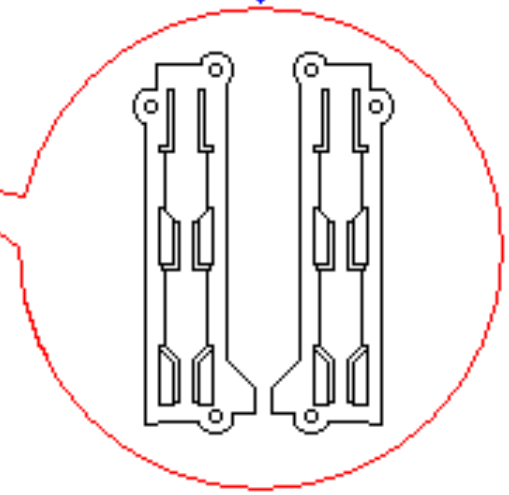
230 - Extender



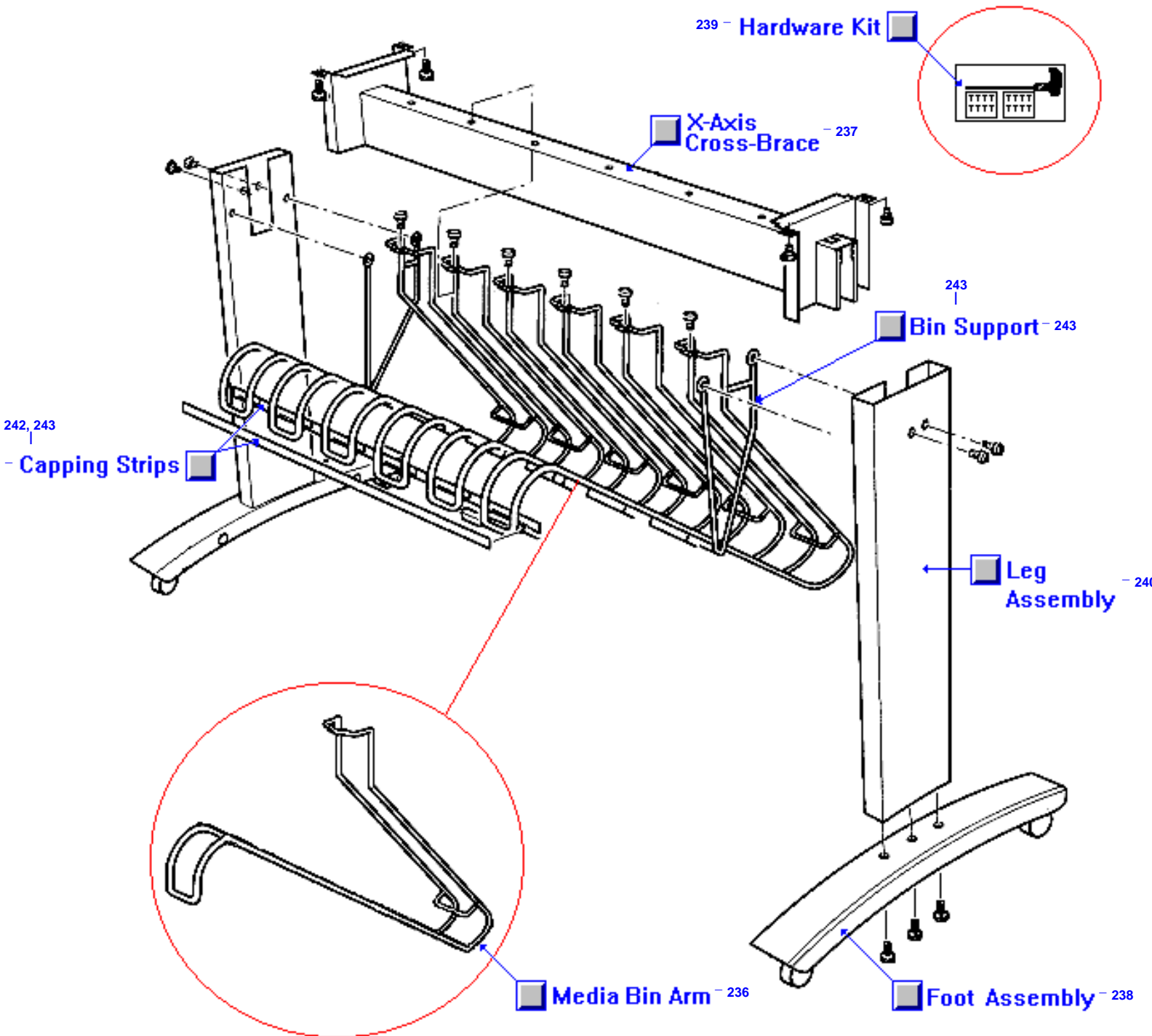
Rollfeed Assembly



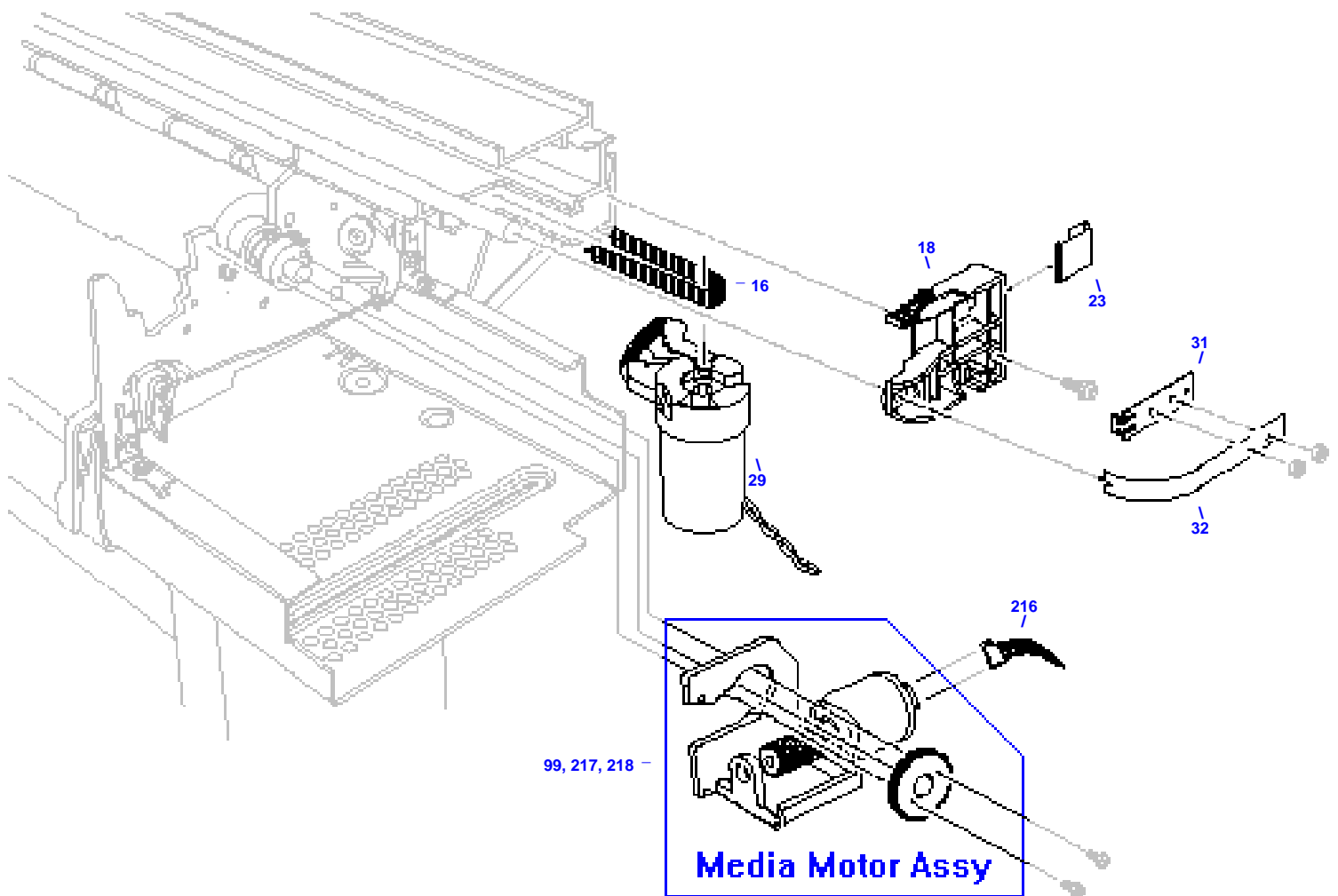
134, 231 - Rollfeed Guide



Stand Assembly



X and Y Axis Motors, Encoder Strip





HP Parts Reference Guide

<http://www.hp.com/go/parts>

HP PartSurfer

<http://partsurfer.hp.com>

HP Parts Ordering Information

<http://www.hp.com/go/hpparts>

HP Parts Questions/Comments

<http://partsurfer.hp.com/contactus.htm>