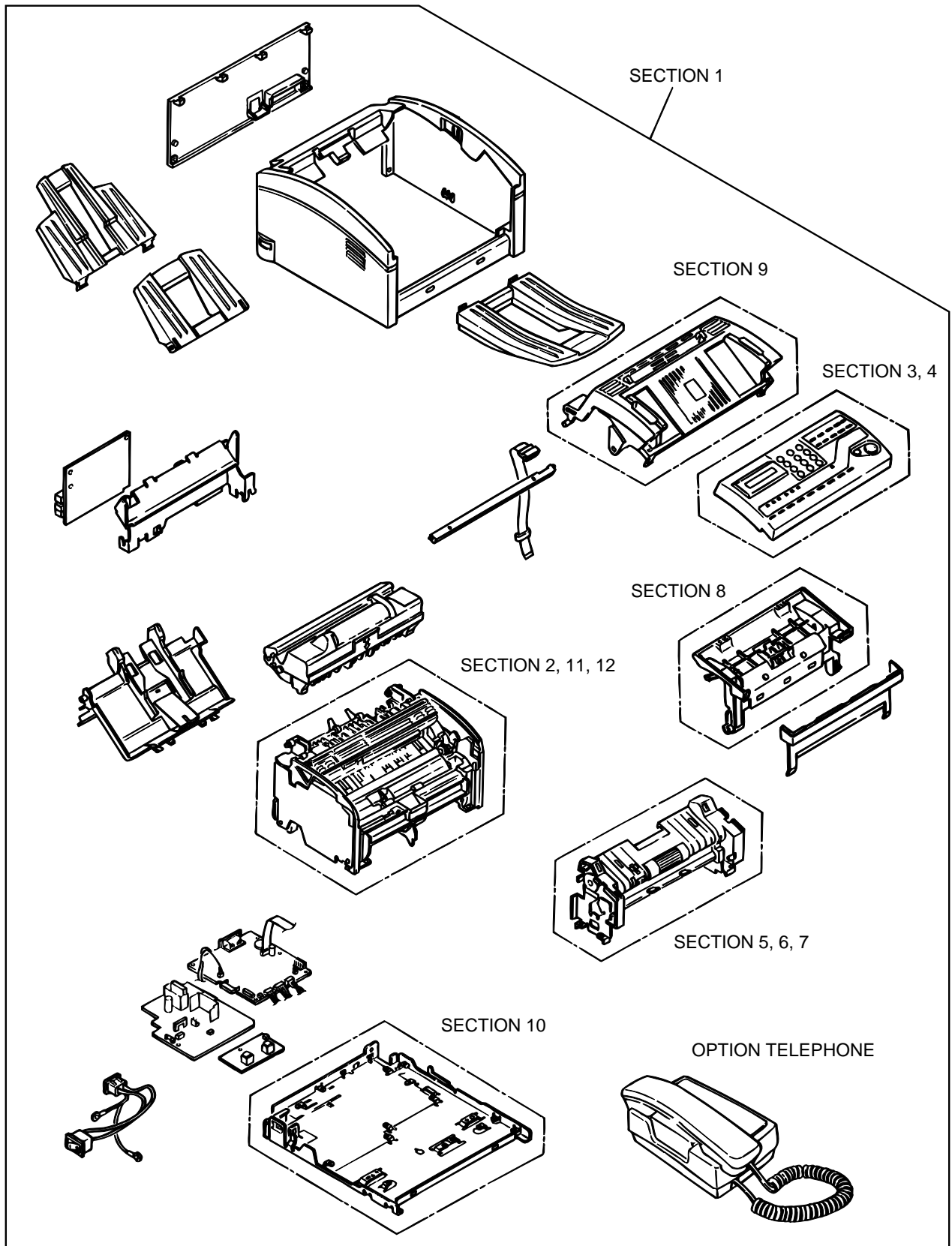
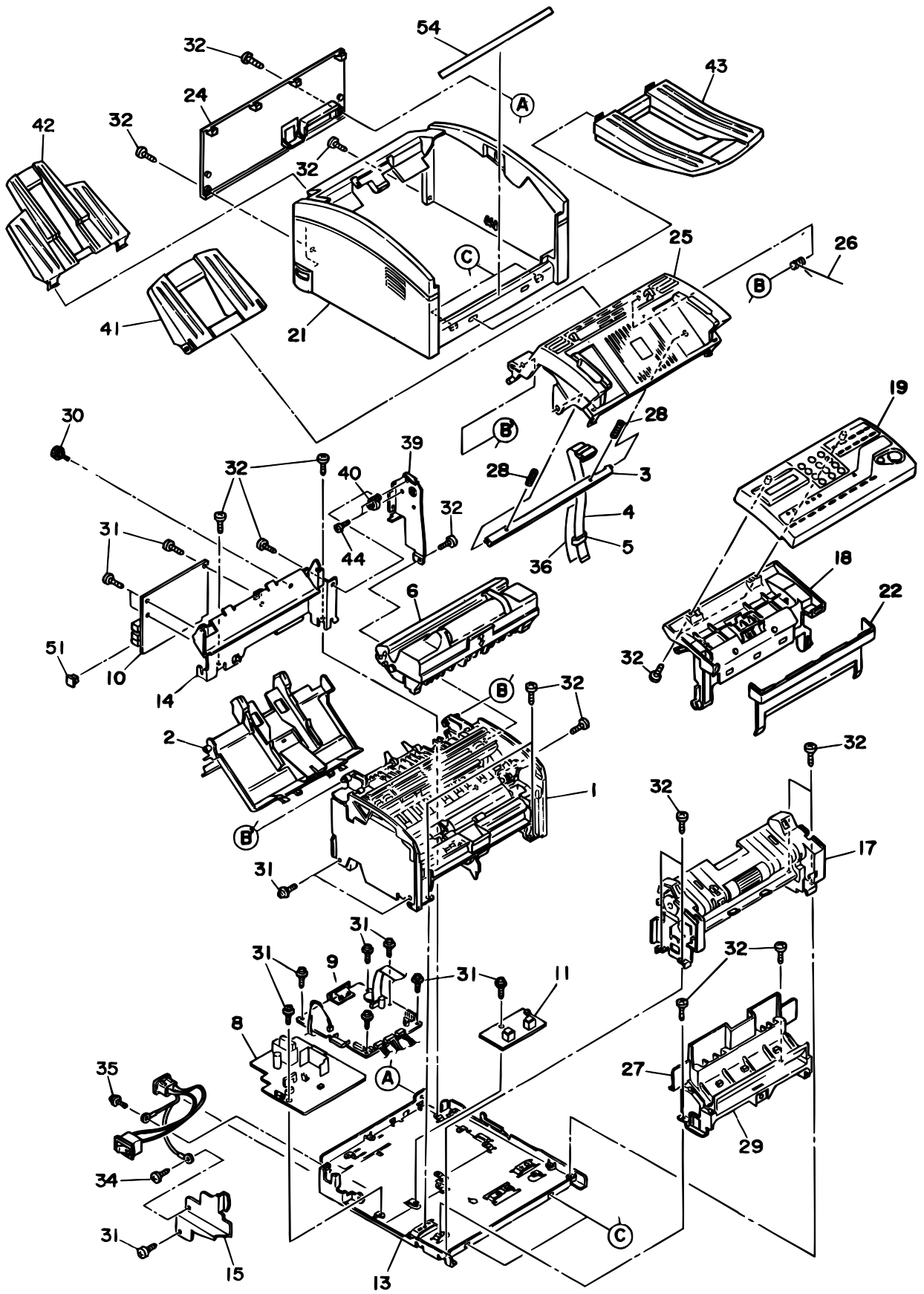


OKIOFFICE84/OKIFAX4500 ASSEMBLY



SECTION 1 CABINET ASSEMBLY (FAX NIP-FX051)



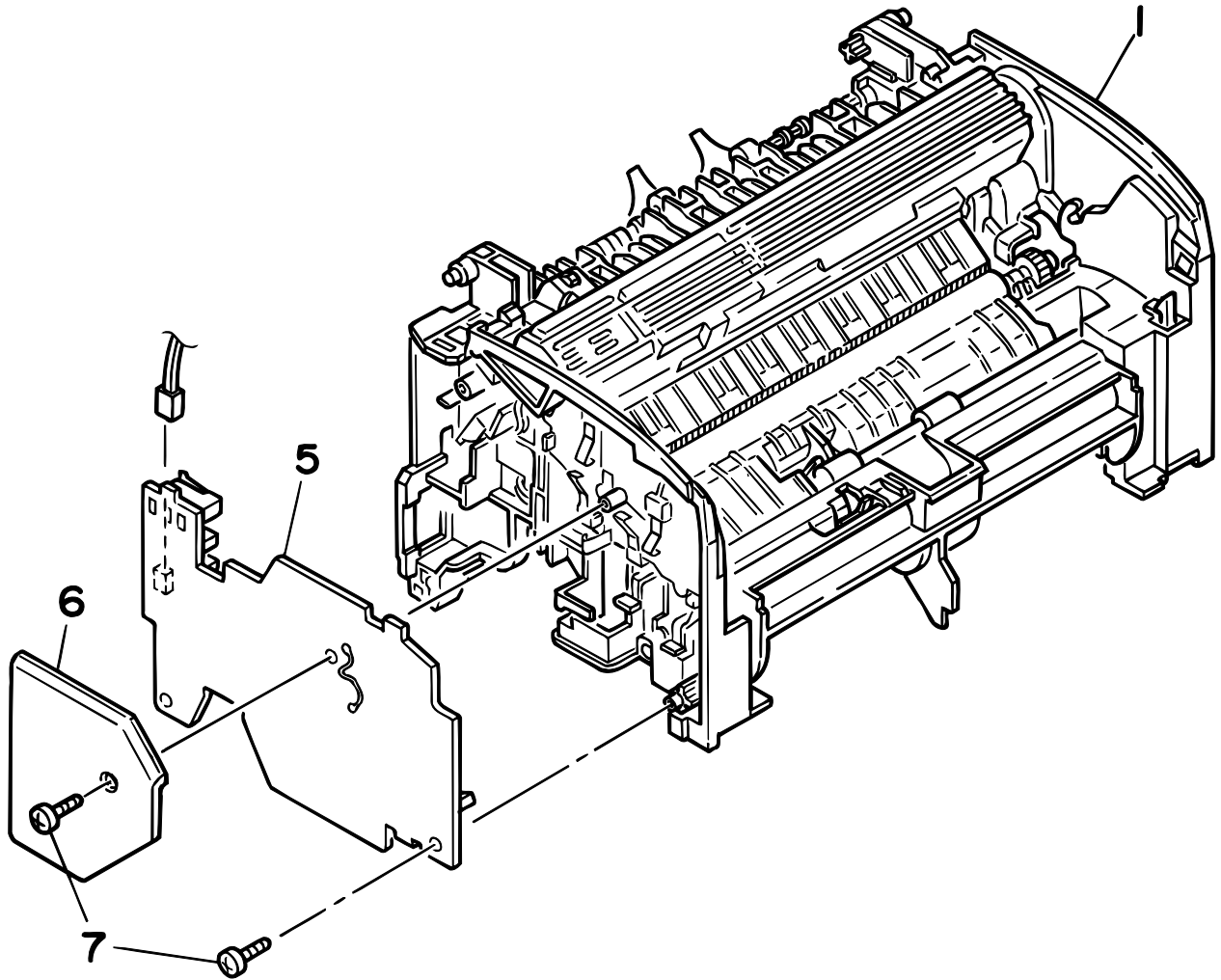
Section 1 CABINET ASSEMBLY (FAX NIP-FX051) 1/2

Rev.	No.	Oki parts Number	Description	Q'ty	Remarks
	1		Unit-Printer		Refer to Section 11
	2		HOLDER-ASSY		Refer to Section 11
	3	4YA4116-1228G001	LED HEAD General specification-31B	1	
	4	4YX4083-1134G001	CABLE FLAT ASSY.	1	
	5				Refer to Section 13
	6		EP Unit Specification	1	Consumable
	7				
	8a	40588801	DC POWER SUPPLY UNIT	1	
	8b	40588901	DC POWER SUPPLY UNIT	1	
	9	40687601	Board-R51	1	
	10a	40044501	Board-UNC	1	US
	10b	40044401	Board-FN5	1	UK, FRANCE
	10c	40044101	Board-DN5	1	GER
	10d	40044303	Board-WN5	1	OEL-INT
	10e	40044307	Board-WN5	1	OKI-INT
	11	40605601	H.V. Board P6L	1	
	13	40672901	Plate Assy.-Base (A)	1	
	14	40023901	Bracket-Package	1	
	15	40236401	Plate Assy. - Shield (HV)	1	
	17	40019203	Frame Assy.-Scanner L	1	300dpi
	18	40021002	Frame Assy.-Scanner (U)	1	
	19		OPE Panel Assy.	1	Refer to Section 3, 4
	21a	40606501	Cover-Main (A)	1	
	21b	40606502	Cover-Main (A)	1	Bosch
	22a	40025301	Cover-Front	1	
	22b	40025302	Cover-Front	1	Bosch
	24a	40606601	Cover-Rear (A)	1	
	24b	40606602	Cover-Rear (A)	1	Bosch
	25a	40672801	Cover Assy.-Top (A)	1	
	25b	40672802	Cover Assy.-Top (A)	1	Bosch
	26	40026101	Spring-TC	1	

Section 1 CABINET ASSEMBLY (FAX NIP-FX051) 2/2

Rev.	No.	Oki parts Number	Description	Q'ty	Remarks
	27	40024001	Guide-Paper (U)	1	
	28	4PP4083-6168P001	HEAD Spring	2	
	29	40024101	Guide-Paper (L)	1	
	31		B Tapping Screw		
	32		B Tapping Screw FA		
	33		B Screw B		
	34		Screw		
	35		Screw	1	
	36	40773601	Sheet-Shield (LED)	1	
	39	40140801	Bracket-Damper	1	
	40	40148201	Gear-Damper	1	
	41a	40025701	Tray-Document	1	
	41b	40025702	Tray-Document	1	Bosch
	42a	40025801	Tray-Paper	1	
	42b	40025802	Tray-Paper	1	Bosch
	43a	40375801	Stacker Assy.-Document	1	
	43b	40375802	Stacker Assy.-Document	1	Bosch
	44		Screw-Tapping (S-M2)		
	50	NB3201-1211P001	CARRIER SHEET	1	GER, Bosch
	51	223A7010P0003	TM-6-DC1 Connector-Plug	1	GER, Bosch
	54	40332701	Label-Manual Slot	1	For OKIOFFICE84

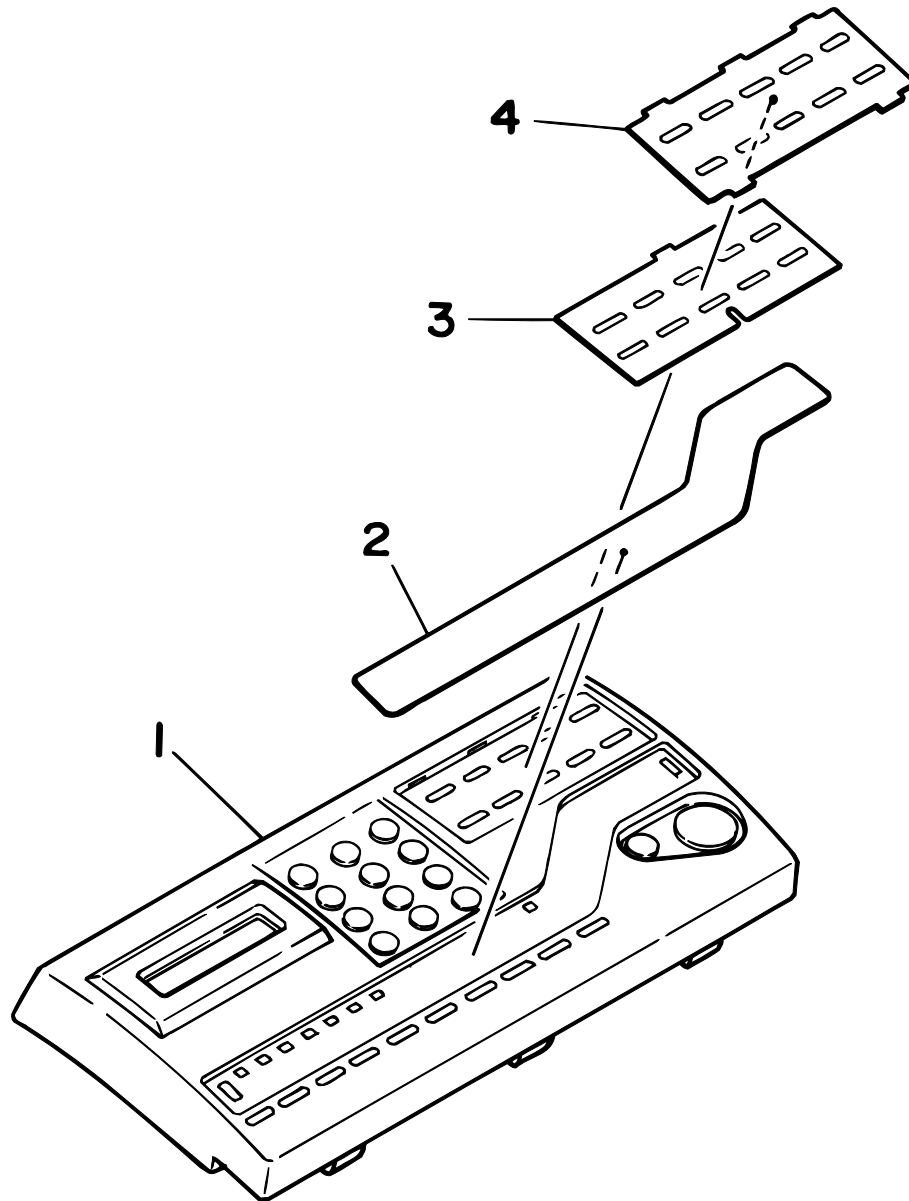
SECTION 2 UNIT-PRINTER



Section 2 UNIT-PRINTER

Rev.	No.	Oki parts Number	Description	Q'ty	Remarks
	1		Printer Unit Assembly		See Section 11
	5	40607401	H.V. Board P2H	1	
	6	40413401	Cover-HV	1	
	7		Screw F		

SECTION 3 UNIT-051 OPE PANEL

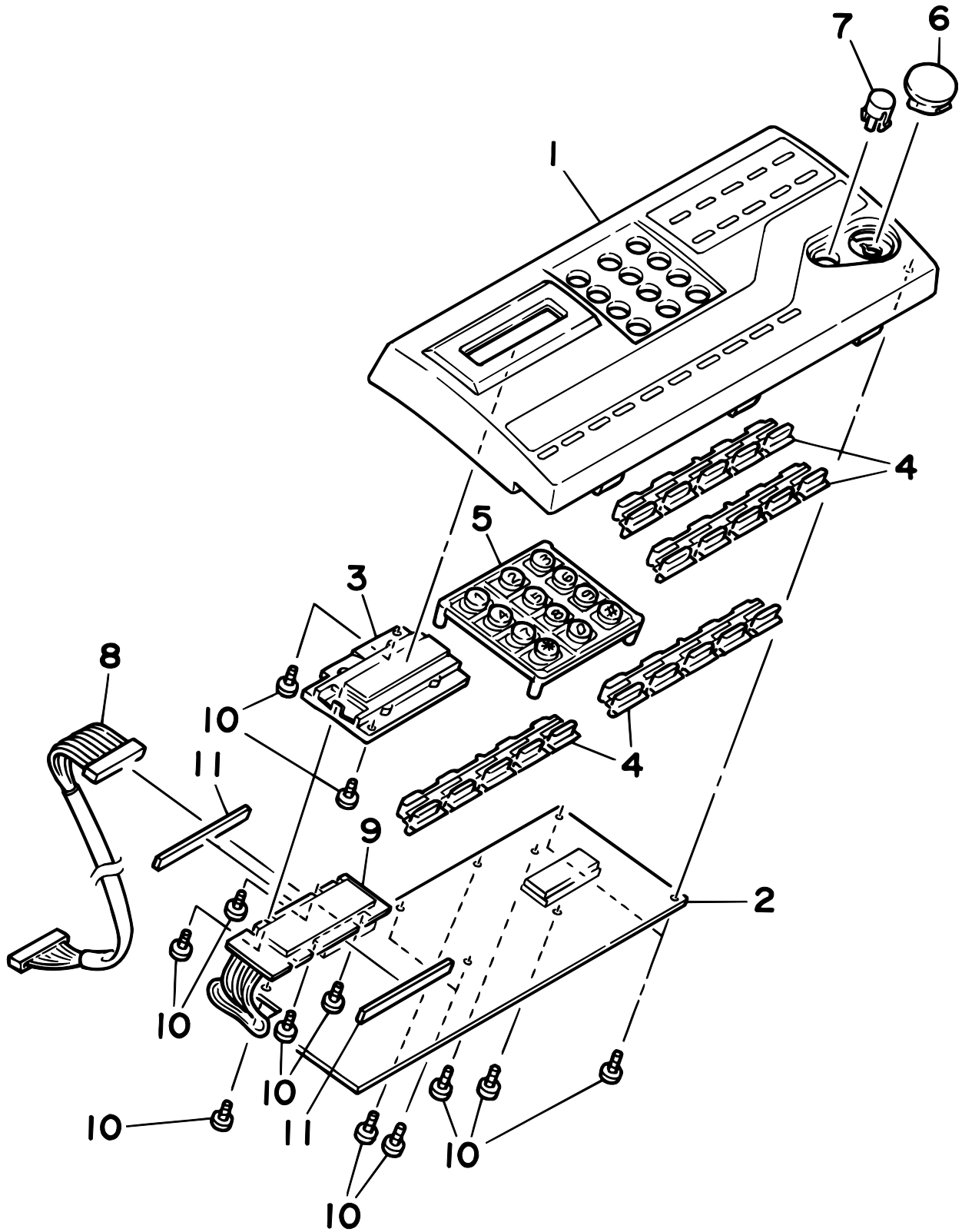


Section 3 UNIT-051 OPE PANEL

Rev.	No.	Oki parts Number	Description	Q'ty	Remarks
	1a	40712201	OP Panel Assy.	1	ODA/OKI-INT/OEL
	1b	40712203	OP Panel Assy.	1	LANIER
	1c	40712204	OP Panel Assy.	1	Bosch
	2a	00073313	Sheet-F-051	1	OEL-INT/OKI-INT
	2b	00073320	Sheet-F-051	1	ODA
	3	00073413	Sheet-O-051	1	ODA/OEL-INT/OKI-INT
	4	40023601	Sheet-Cover	1	

© OKI Systems (UK) Ltd. For further information contact TCL Technology Ltd on +44 (0)1865 368232 or spares@tcltech.co.uk

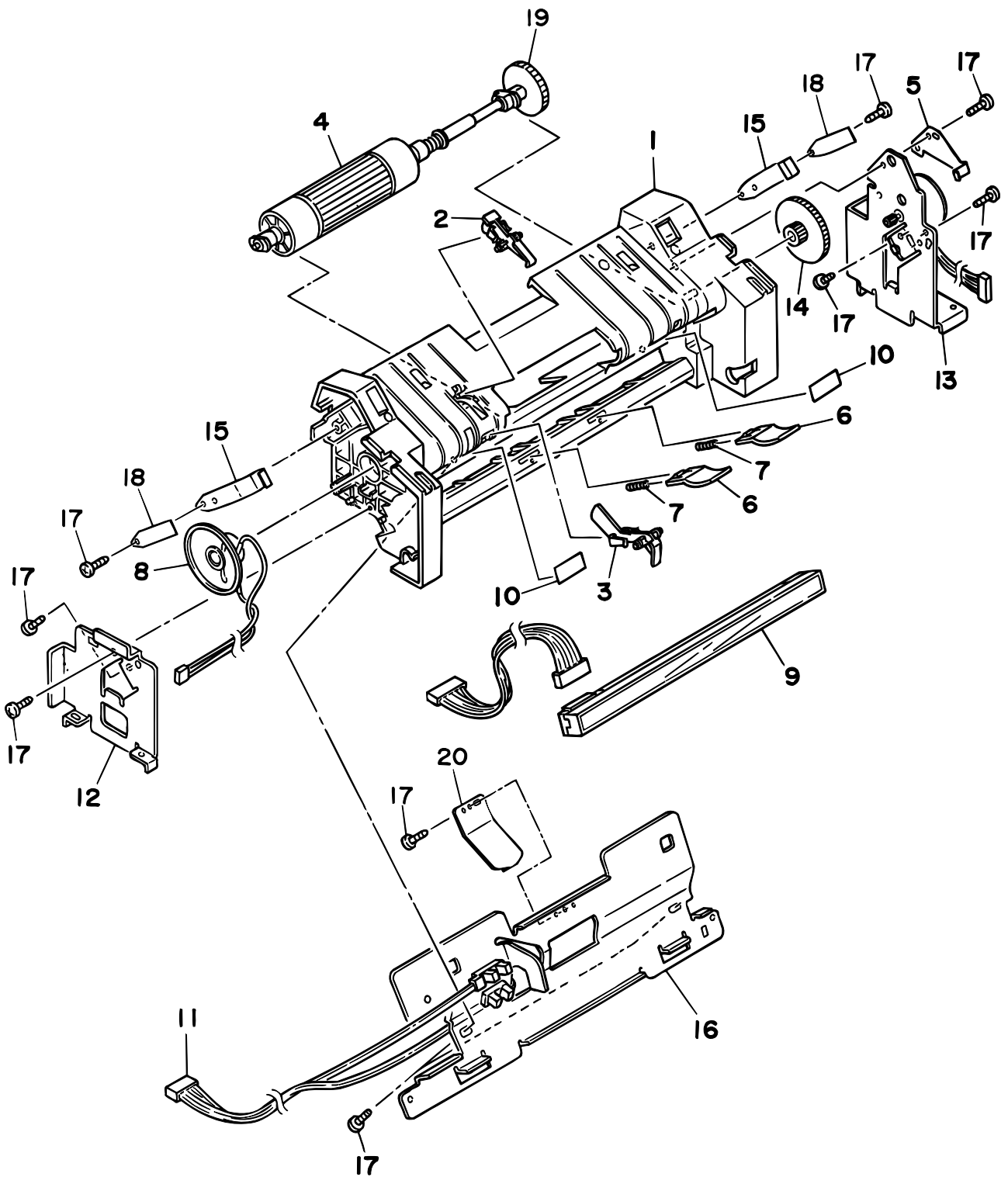
SECTION 4 OPEPANEL (OPERATION PANEL) ASSEMBLY



Section 4 OPE PANEL ASSEMBLY

Rev.	No.	Oki parts Number	Description	Q'ty	Remarks
	1		Case-OPE(T)		
	2	40086701	Board-04W	1	
	3		Holder-LCD		
	4		Button-Function		
	5	PP4120-1067P001	Ten Key (Round)	1	
	6a	40023201	Button-Start	1	OKI, Bosch
	6b	40023202	Button-Start	1	LANIER
	7a	40023301	Button-Stop	1	OKI, Bosch
	7b	40023302	Button-Stop	1	LANIER
	9	4YB4134-1009P001	LCD	1	
	10		B SCREW A		
	11	4PB4120-1113P001	Rubber Connector	2	

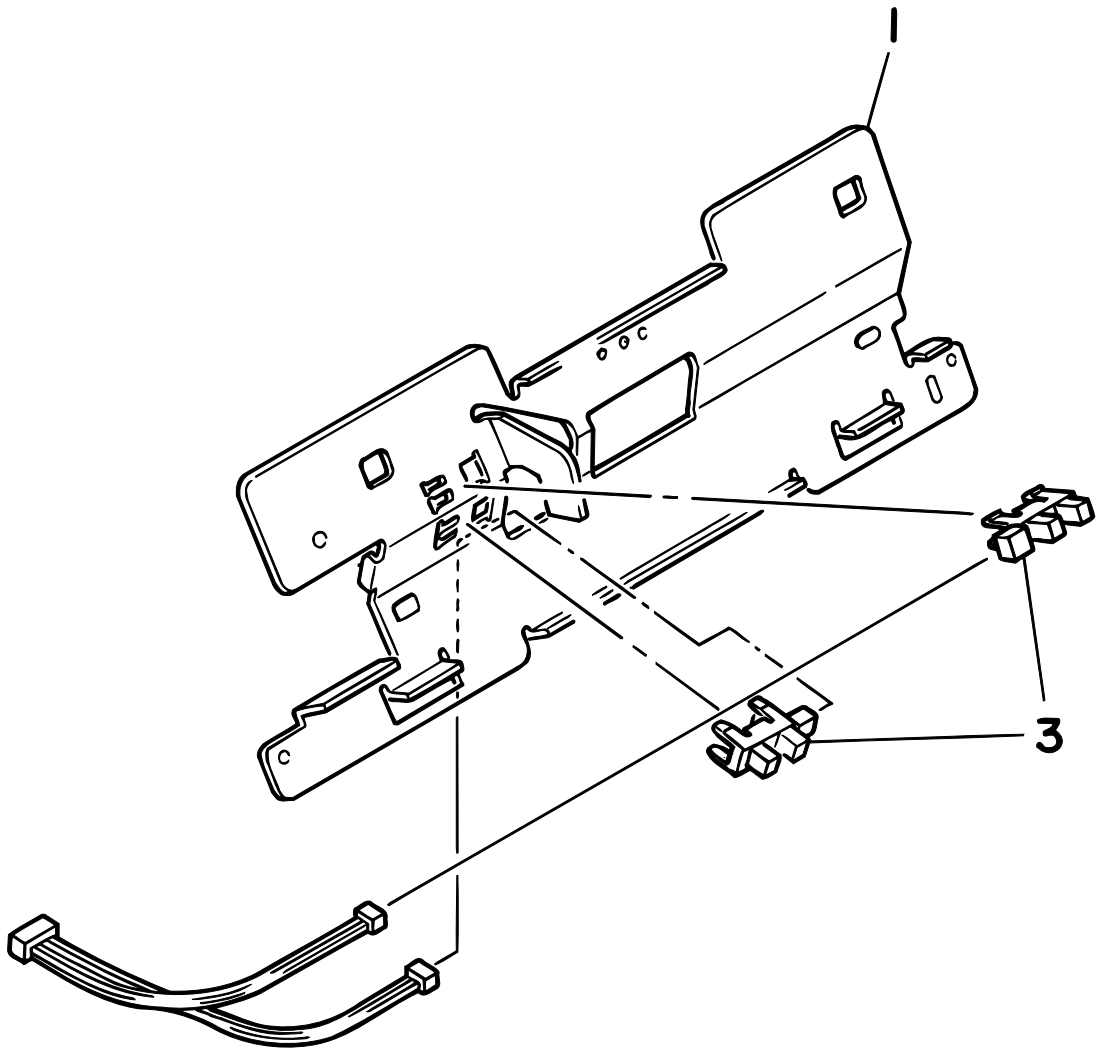
SECTION 5 FRAME ASSEMBLY-SCANNER (L)



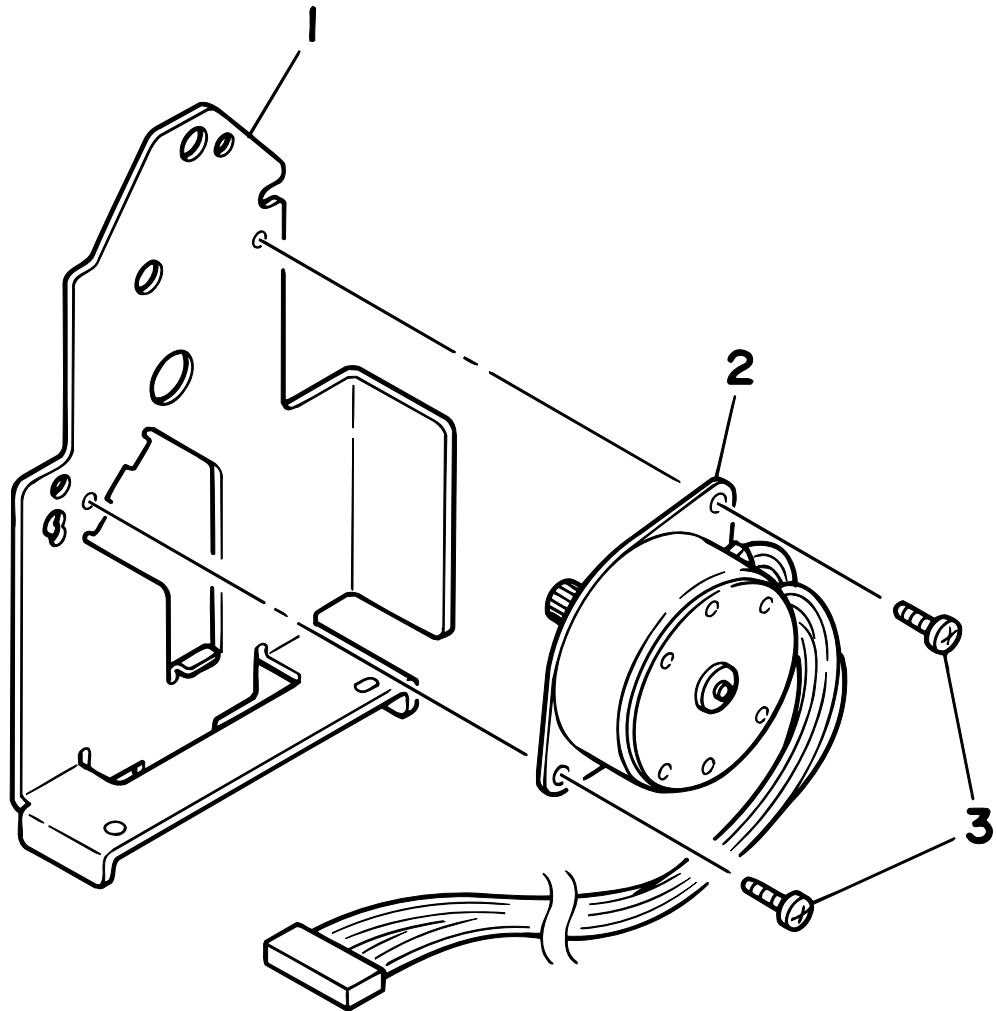
Section 5 FRAME ASSEMBLY-SCANNER L

Rev.	No.	Oki parts Number	Description	Q'ty	Remarks
	1		Frame-Scanner (L)		
	2	40019401	Lever-PC1	1	
	3	40019501	Lever-PC2	1	
	4	40019601	Roller Assy.-ADF	1	
	5	40020201	Plate-Earth ADF	1	
	6	40020601	Piece-Exit	2	
	7	40020703	Spring-Exit	2	
	8	40127501	CONN Cord-Speaker	1	
	9	40141401	CONTACT IMAGE SENSOR-A4	1	300dpi
	10	40644701	Film-Guide (CIS)	2	
	11				Refer to Section 13
	12		Plate-Scanner (L)		
	13		Plate Assy.-Scanner (R)		
	14	40020301	Gear-Z95/14	1	
	15	40020501	Spring-Latch	2	
	16		Plate Assy.-Scanner (B)		
	17		B Screw FA		
	18	40153801	Spring-Reinforcement	2	
	19	40025201	Gear-Z38	1	
	20	40024501	Spring-CIS	1	

SECTION 6 PLATE ASSEMBLY-SCANNER (B)



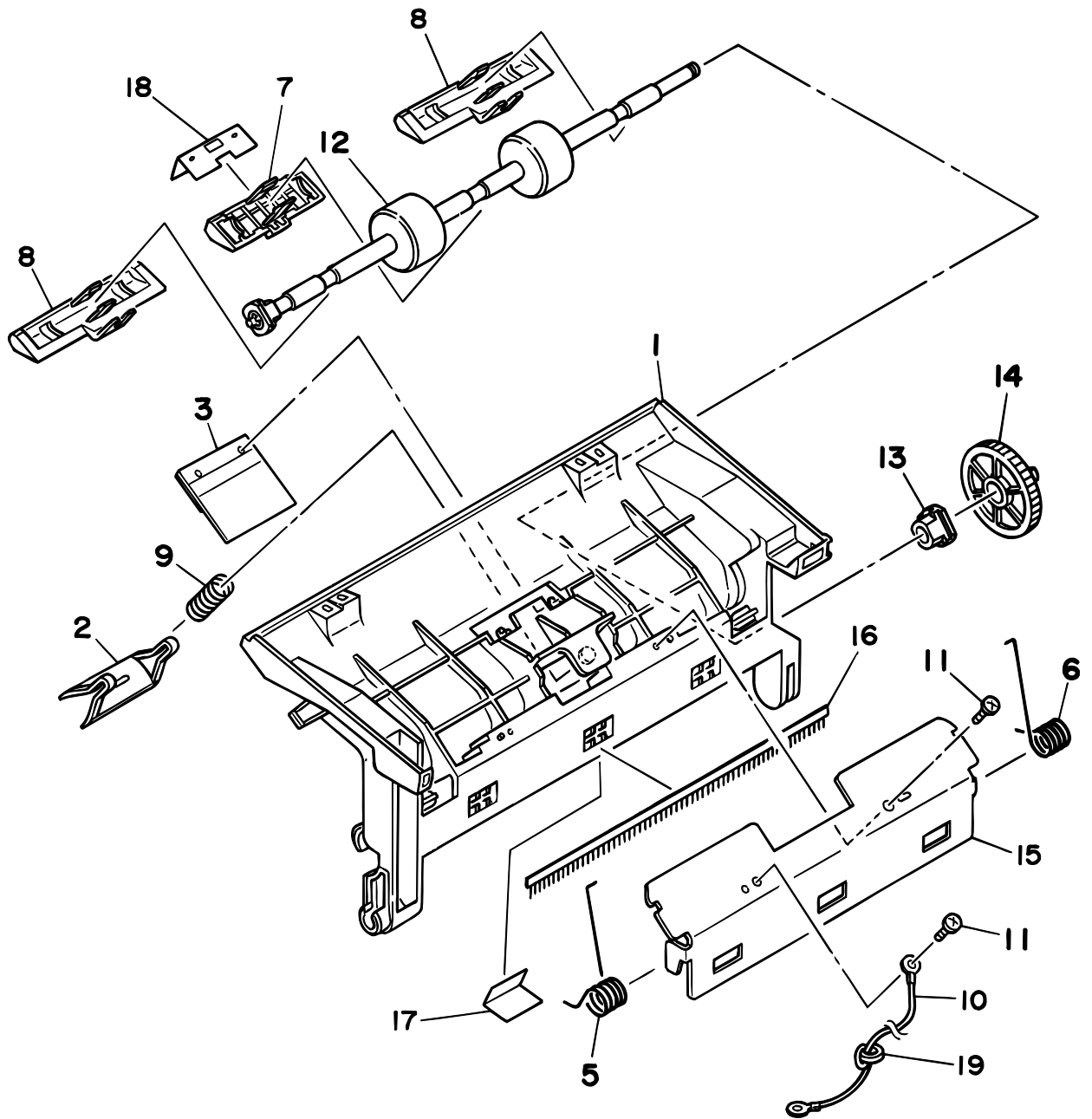
SECTION 7 PLATE ASSEMBLY-SCANNER (R)



Section 7 PLATE ASSEMBLY-SCANNER (R)

Rev.	No.	Oki parts Number	Description	Q'ty	Remarks
	1		Plate-Scanner (R)		
	2	4YB4120-1036P001	S-Motor 151/175	1	
	3		B SCREW FA		

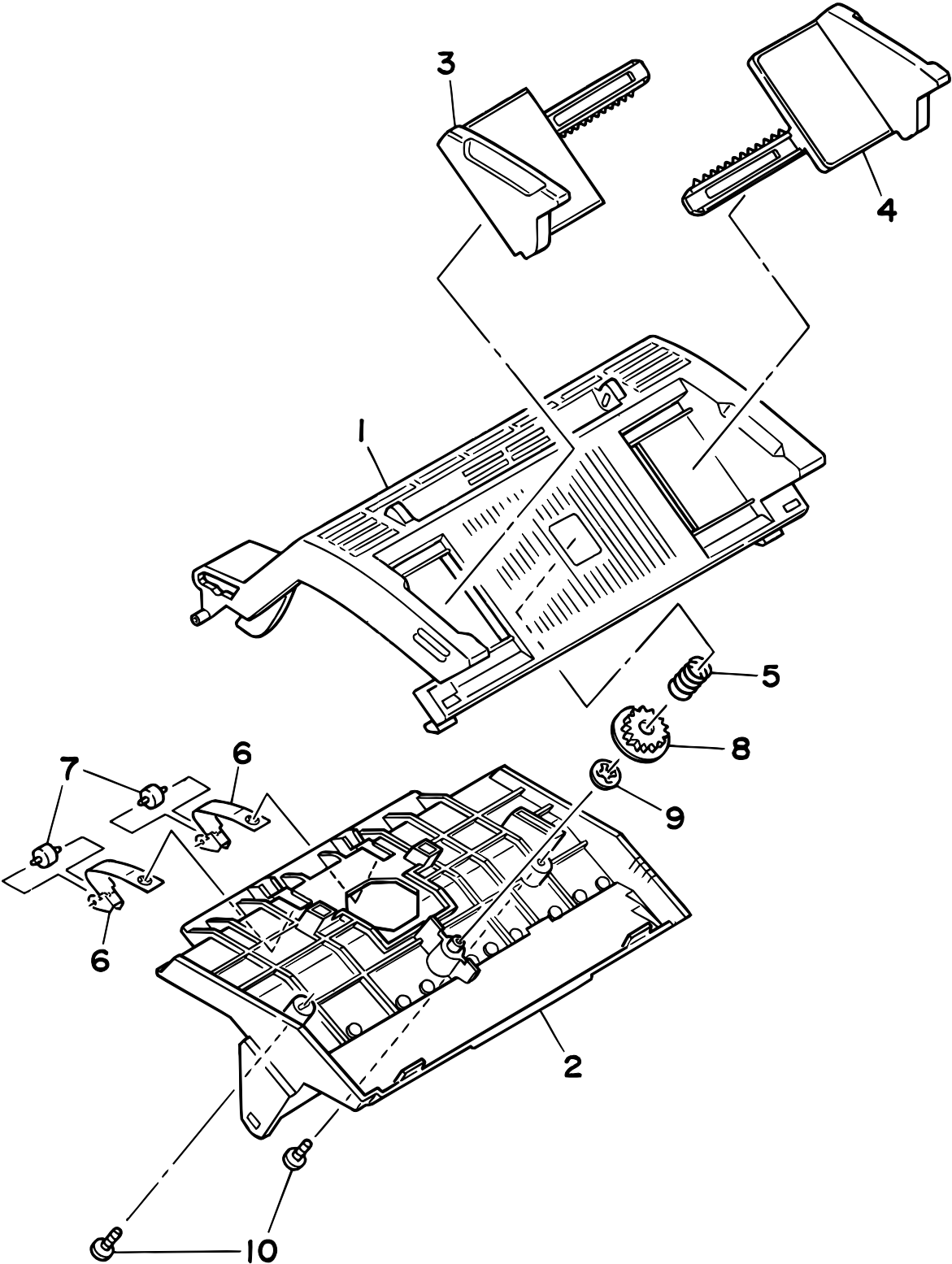
SECTION 8 FRAME ASSEMBLY-SCANNER (U)



Section 8 FRAME ASSEMBLY-SCANNER (U)

Rev.	No.	Oki parts Number	Description	Q'ty	Remarks
	1		Frame-Scanner (U)		
	2	4PP3527-5153P001	BACK-UP PLATE	1	
	3	40267001	SEPARATION RUBBER ASSEMBLY	1	
	5	40021401	Spring-Pinch (L)	1	
	6	40021501	Spring-Pinch (R)	1	
	7	40745801	Guide-Sensor (A)	1	
	8	40021701	Guide-Sensor (B)	2	
	9	40481101	ADF SPRING	1	
	10	40199101	Cord-Earth		
	11		B SCREW FA		
	12	40021202	Roller Assy.-Sensor	1	
	13	40022001	Bearing-S	1	
	14	40020801	Gear-Z31	1	
	15		Plate-Support	1	
	16	40026301	Bar-Discharge	1	
	17	40461301	Film-Exit (DOC)	1	
	18	40745901	Film-Guide (A)	1	
	19	1051002C0001	TR-13-7-6 Core	1	Except ODA

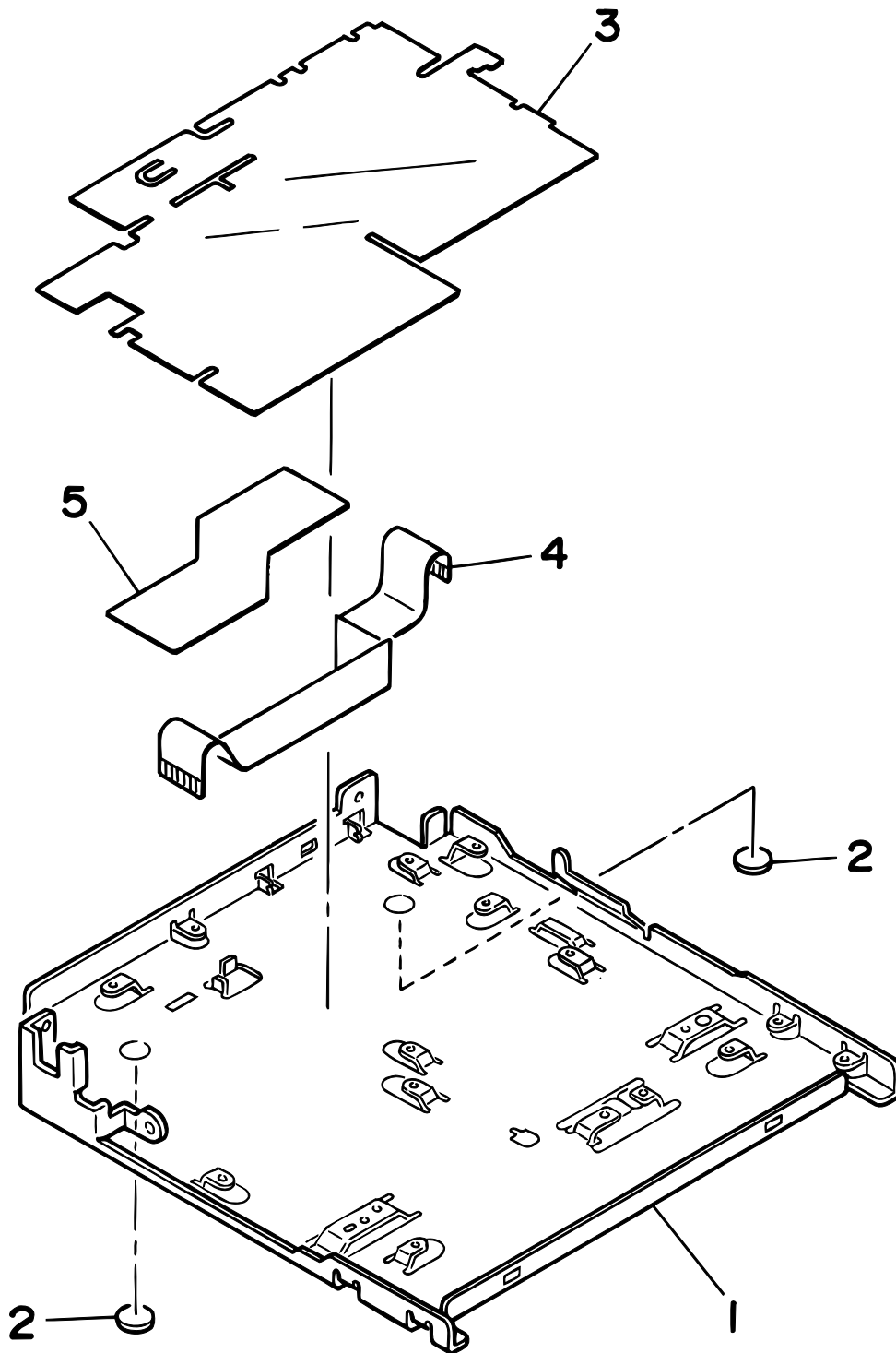
SECTION 9 COVER ASSEMBLY-TOP



Section 9 COVER ASSEMBLY-TOP

Rev.	No.	Oki parts Number	Description	Q'ty	Remarks
	1		Cover-Top		
	2	40606701	Holder-LED (A)	1	
	3		Guide-Document (L)		
	4		Guide-Document (R)		
	5	40022601	Spring-D	1	
	6	4PP4128-1268P001	PLATE EXIT	2	
	7	4PP4083-2024P001	EJECT ROLLER A	2	
	8	4PP4083-2328P003	PINION GEAR B	1	
	9		CS RING		
	10		B SCREW FA		

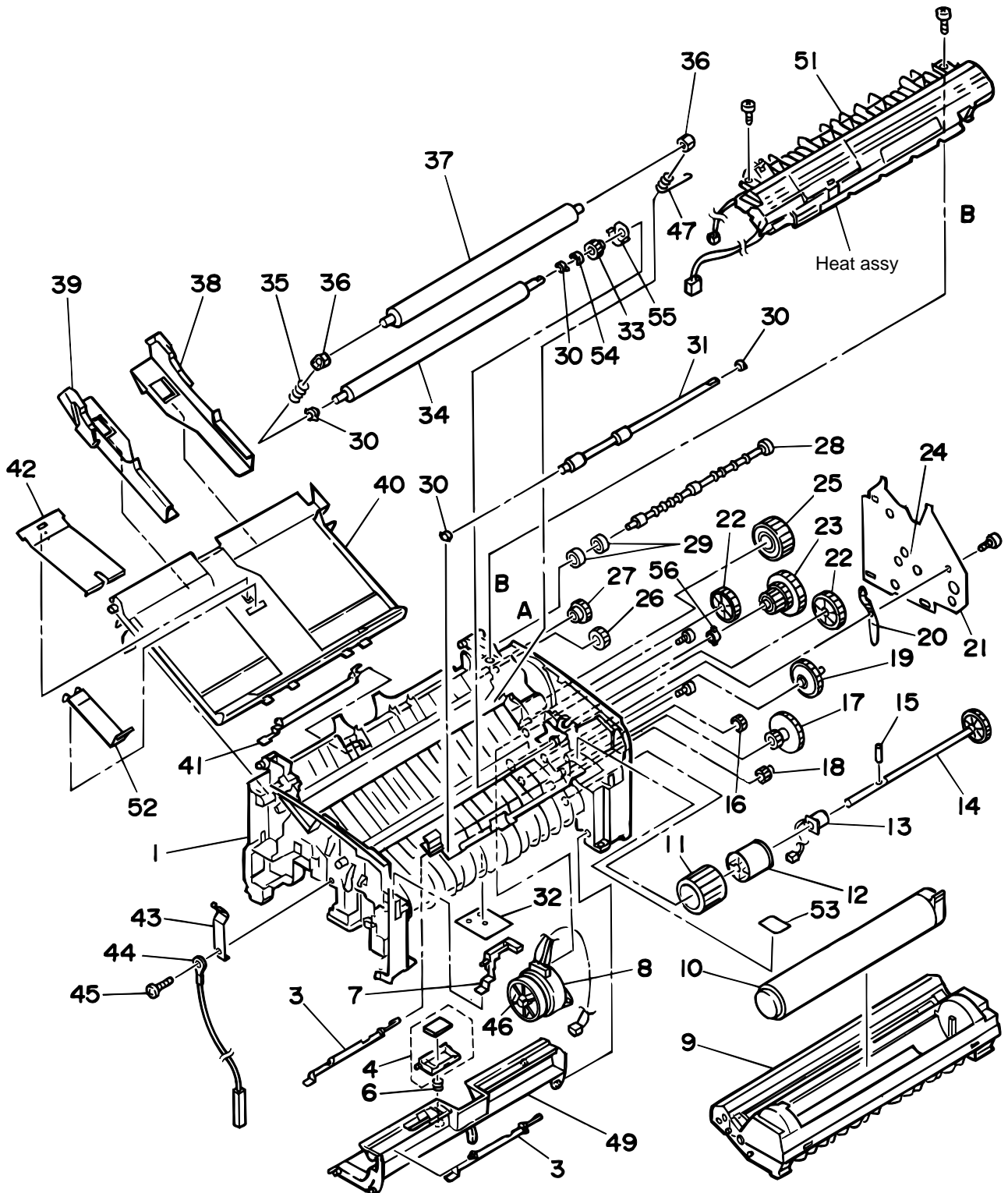
SECTION 10 PLATE ASSEMBLY-BASE



Section 10 PLATE ASSEMBLY-BASE

Rev.	No.	Oki parts Number	Description	Q'ty	Remarks
	1		Plate-Base		
	2		RUBBER A		
	3	40606901	Sheet-Insulation	1	
	4	40128001	Cord-Falt (FUJI CARD)	1	
	5		Sheet-FG		

SECTION 11 PRINTER BASE FRAME UNIT



Section 11 PRINTER BASE FRAME UNIT 1/2

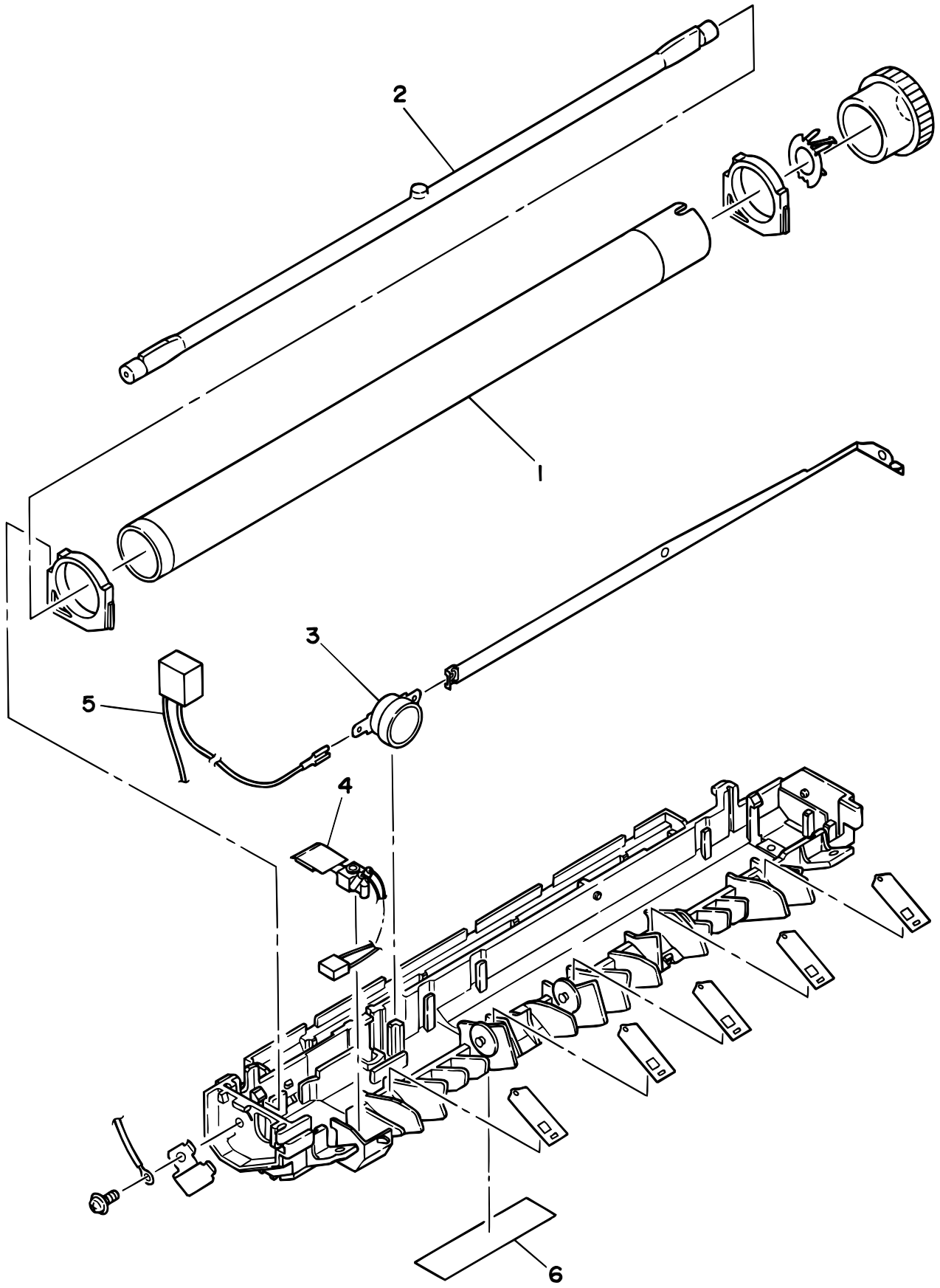
Rev.	No.	Oki parts Number	Description	Q'ty	Remarks
	1	40593201	Frame Unit Assy	1	
	3	3PP4083-1191P1	Paper Sensor E	2	
	4	40721301	Separator Assy	1	
	6	40781701	Compression Spring S	1	
	7	3PA4083-1193G1	Toner Sensor Assy.	1	
	8	40496401	Moter-Pulse	1	
	9		Ep Unit	1	Consumable *1
	10		Toner Cartridge Unit	1	Consumable *1
	11	40779601	Hopping Roller	1	
	12	3PP4083-1128P1	Roller Holder (Hopping Roller)	1	
	13	3PB4083-1127P1	Magnet H (Hopping Shaft)	1	
	14	3PA4083-1133G1	Hopping Shaft Assy.	1	
	15	NK2-10-SUS	Knock Pin	1	
	16	4PP4083-1143P1	Idle Gear R	1	
	17	3PP4083-1184P1	Idle Gear 2R	1	
	18	3PP4083-1142P1	Gear R	1	
	19	2PP4083-1181P1	Idle Gear M	1	
	20	3PP4083-1189P1	Earth Plate A	1	
	21	3PP4083-1188P1	Plate Side M	1	
	22	3PP4083-1182P1	Idle Gear P	2	
	23	40721001	Idle Gear 3R	1	
	24	4PP4083-1165P1	Tension Plate	1	
	25	3PP4083-1185P1	Idle Gear Heat	1	
	26	4PP4083-1186P1	Idle Gear E (A)	1	
	27	3PP4083-1187P1	Idle Gear E (B)	1	
	28	3PP4083-1170P1	Drive Shaft E (Eject)	1	
	29	40074601	Eject Roller	2	
	30	3PP4083-1141P1	Resistration Bearing	5	

*1 = Only for OKIOFFICE84/OKIFAX4500

Section 11 PRINTER BASE FRAME UNIT 2/2

Rev.	No.	Oki parts Number	Description	Q'ty	Remarks
	31	3PB4083-1140P1	Resistration Roller	1	
	32	4PP4083-1139P001	Film Guide	1	
	33	40737801	Gear T	1	
	34	40713601	Transfer Roller	1	
	35	4PP4083-1136P1	Spring pressure (L)	1	
	36	3PP4083-1161P1	Bearing BU (Back Up Roller)	2	
	37	40594601	Pressure Roller B (Back Up Roller)	1	
	38	3PP4083-1233P1	Paper Guide (R)	1	
	39	3PP4083-1232P1	Paper Guide (L)	1	
	40	1PP4083-1231P1	Paper Holder	1	
	41	3PP4083-1192P1	Paper Sensor Exit	1	
	42	4PP4083-1247P1	Hopping Spring	1	
	43	40638001	Contact-CB		
	44	40638102	Conn, Cord-HV		
	45		Screw		
	46	40625401	Fan	1	
	47	4PP4083-1137P1	Spring Pressure (R)	1	
	49	40562401	Sheet Guide	1	
	51a	40592801	Heat Assy.	1	120V
	51b	40592802	Heat Assy.	1	230V
	52	40034001	Stopper Spring	1	
	53	4PB4091-6047P1	Caution Label (TR)	1	230V
	54	40688601	Washer-TR	1	
	55	40710301	Guide-Gear T	1	
	56	40634701	Bearing-Gear	1	

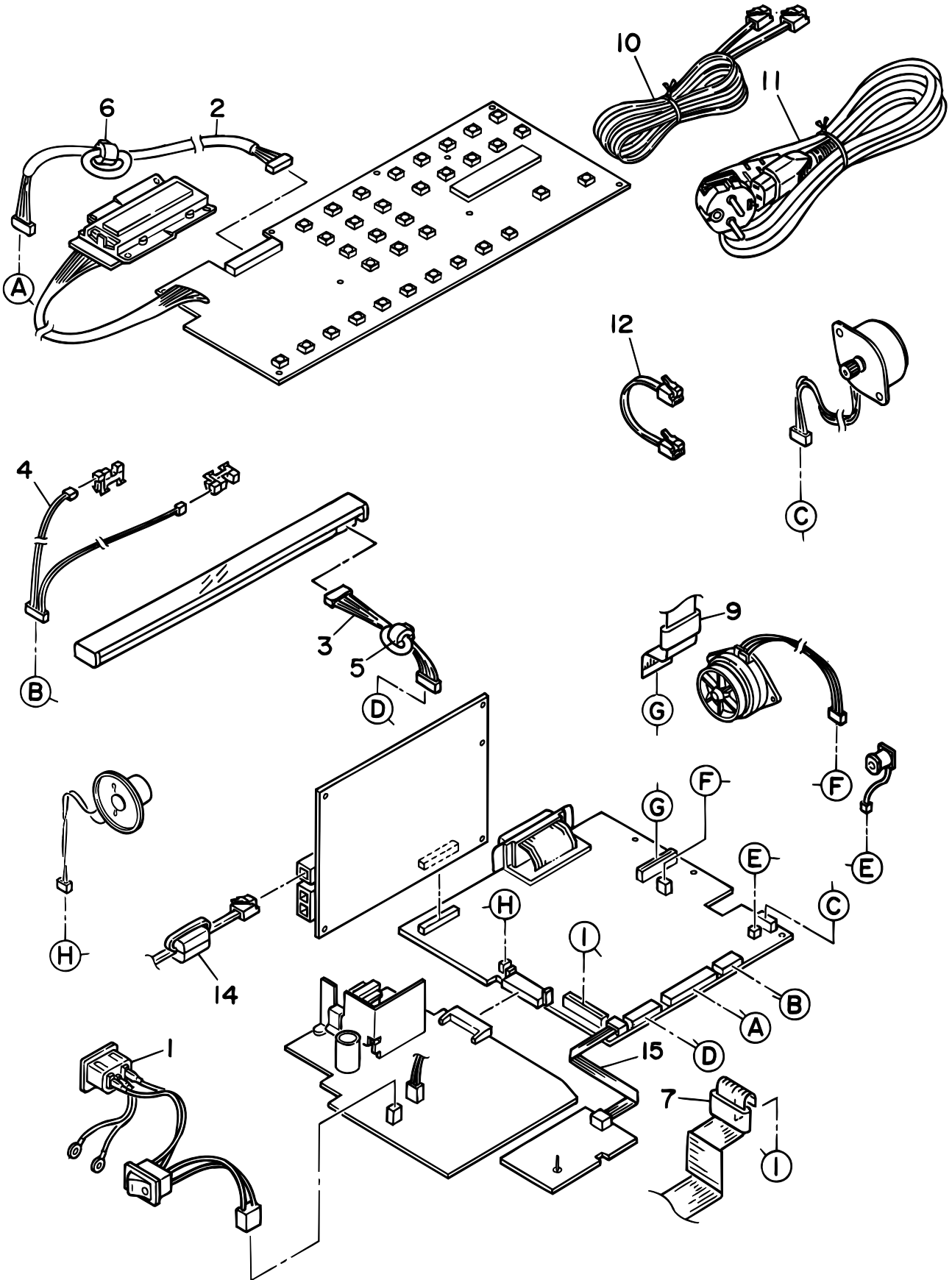
SECTION 12 PRINTER HEAT ASSY



Section 12 PRINTER HEAT ASSY.

Rev.	No.	Oki parts Number	Description	Q'ty	Remarks
	1	3PB4083-1202P1	Heat Roller	1	
	2a	40649301	Halogen Lamp	1	120V
	2b	40649302	Halogen Lamp	1	230V
	3	4PB4083-1204P1	Thermostat	1	
	4	4PB4083-1205P1	Thermistor	1	
	5	4PB4083-1213P1	Heat Cord	1	

SECTION 13 CABLES



Section 13 CABLES

Rev.	No.	Oki parts Number	Description	Q'ty	Remarks
	1	40635401	Connection Cord-Wire (AC)	1	
	2	40040001	Connection Cord-Wire (OPE)	1	
	3	40040201	Connection Cord-Wire (CIS)	1	
	4	40040301	Connection Cord-Wire (PC1/2)	1	
	5	105A1070C0003	TFC-20-10-10 Core	1	CIS-R51
	6	105A1070C0004	TFC-23-11-14 Core	1	CPE-R51
	7	105A1073C4002	SSC-40-12-M Core	1	HV-R51
	8				
	9	1051003C0001	FPC-25-20 Core	1	LED-R51
	10		TEL/LINE Cable	1	Note-1
	11		AC CORD	1	Note-2
	12	4YS4111-5581P001	CORD (TEL1-TEL 2)	1	GER, Bosch only
	14	105A1068C1004	SFC-8 Core	1	For TEL/LINE Cord use
	15	40687701	Cord-Flat (SUMI CARD)	1	P6L-R51

Note 1: Parts will be supplied by OUK per country.

Note 2: Parts will be supplied by OUK per country except ODA version.