

ML 4410

8. Parts List

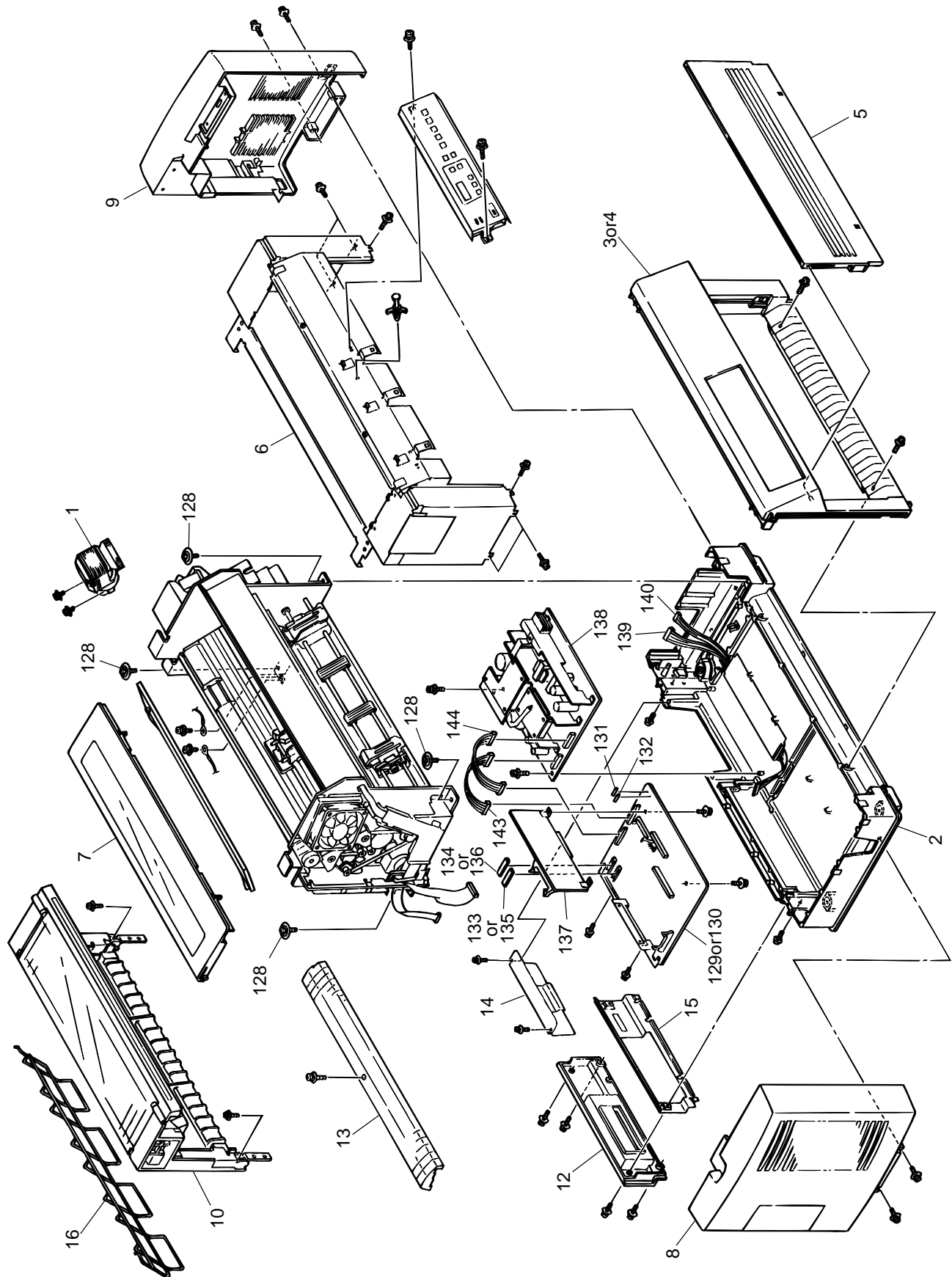


Fig.8-1

ML 4410

8. Parts List

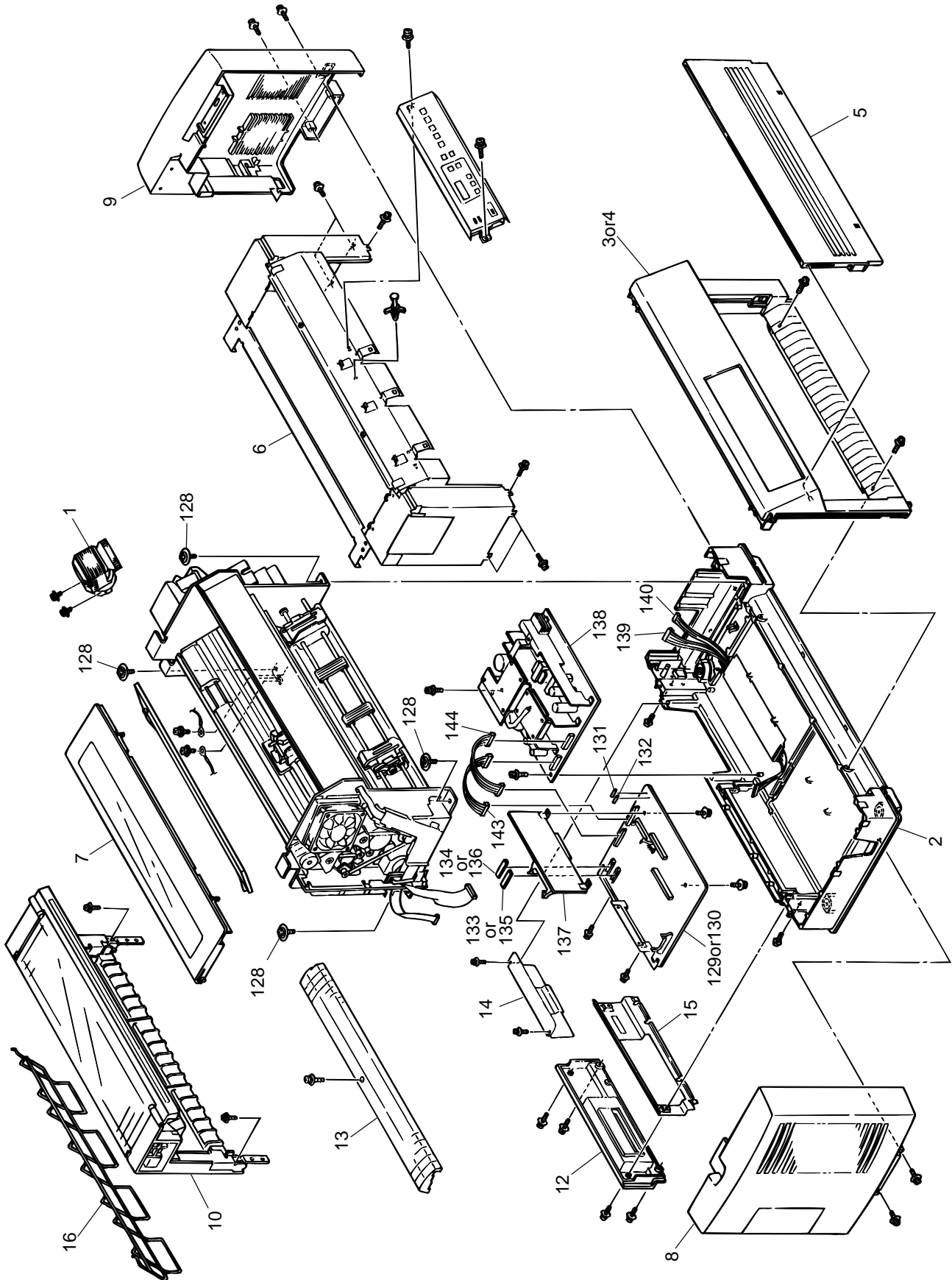


Fig.8-1

ML 4410

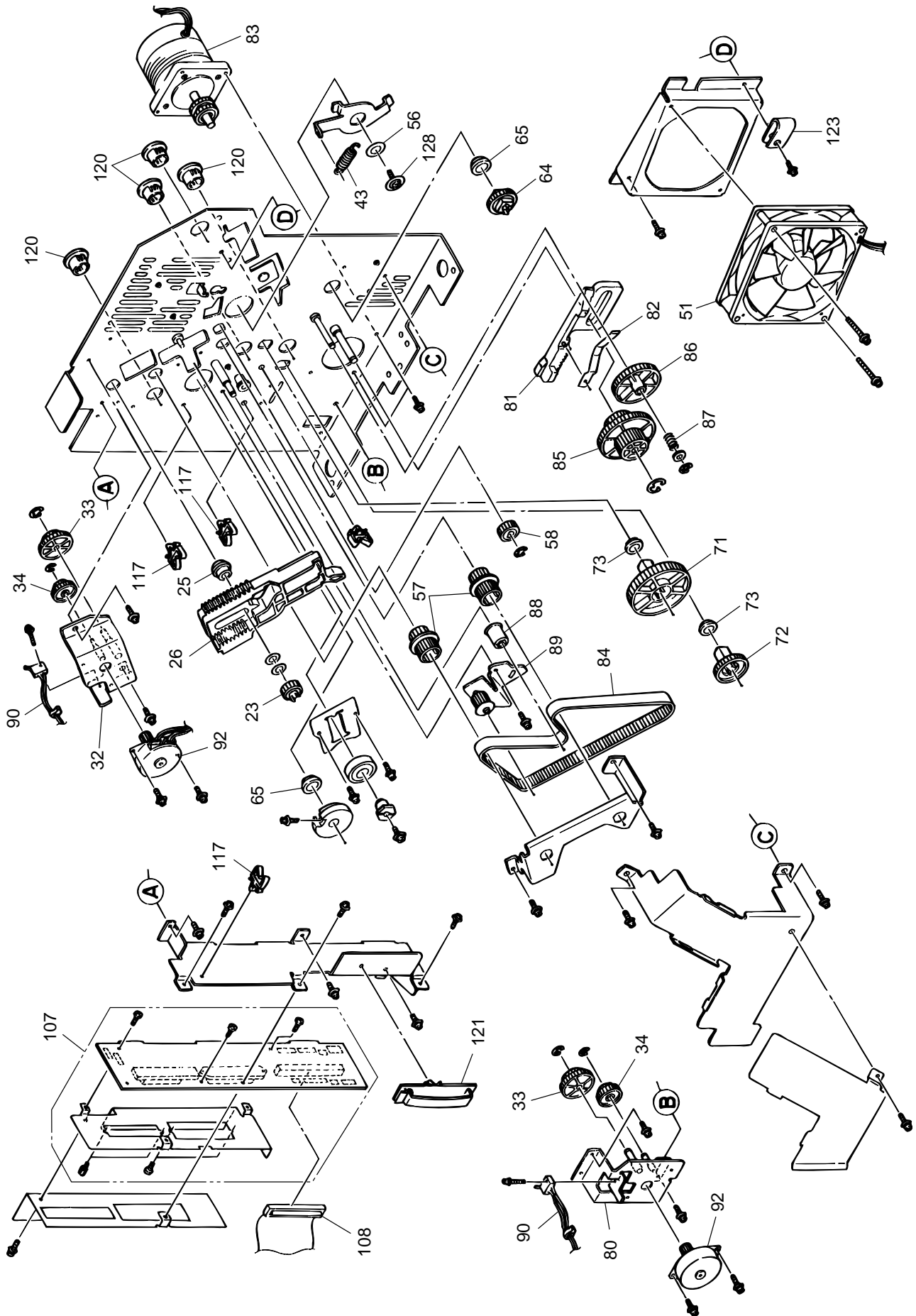


Fig.8-2

ML 4410

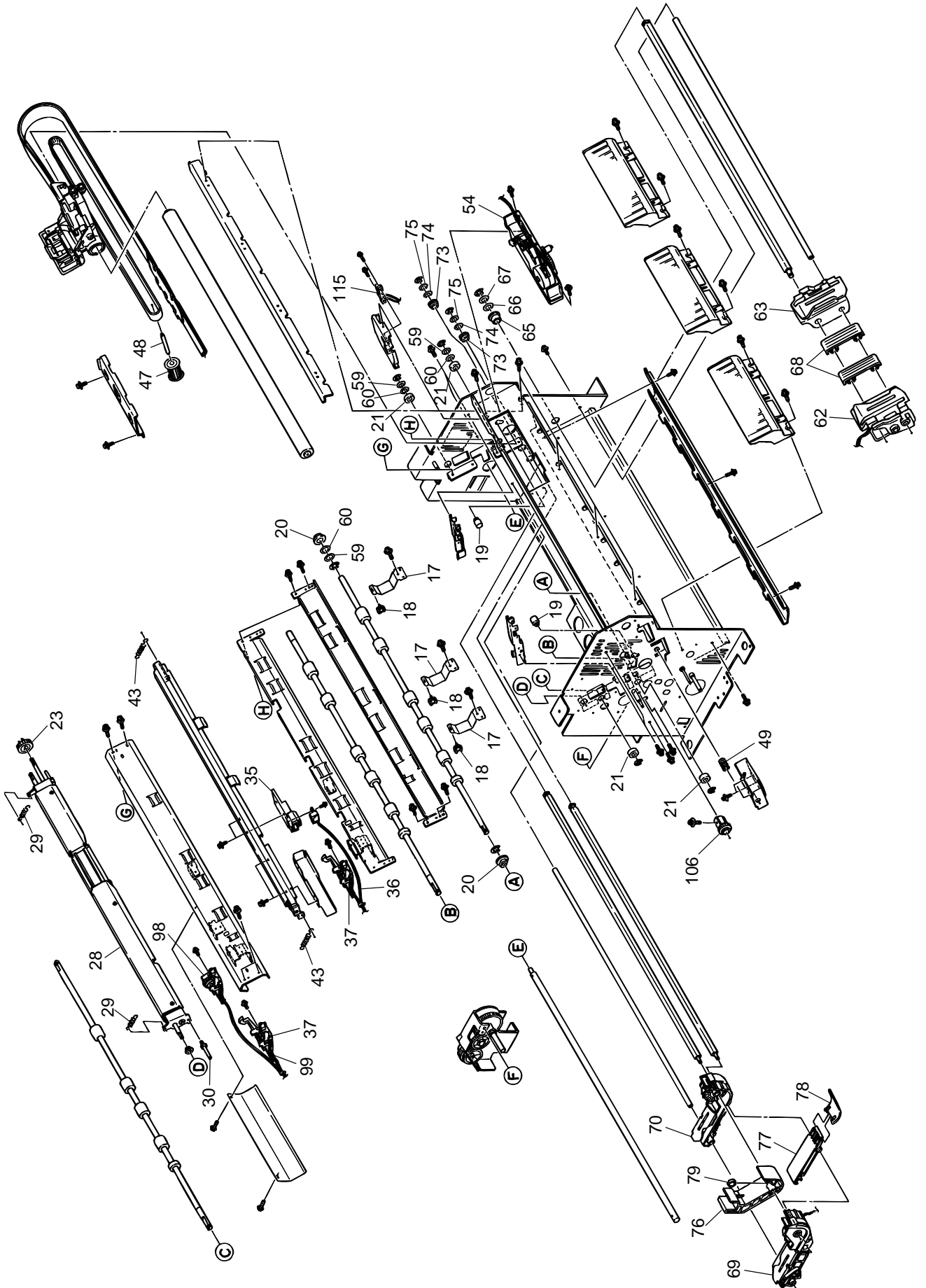


Fig.8-3

ML 4410

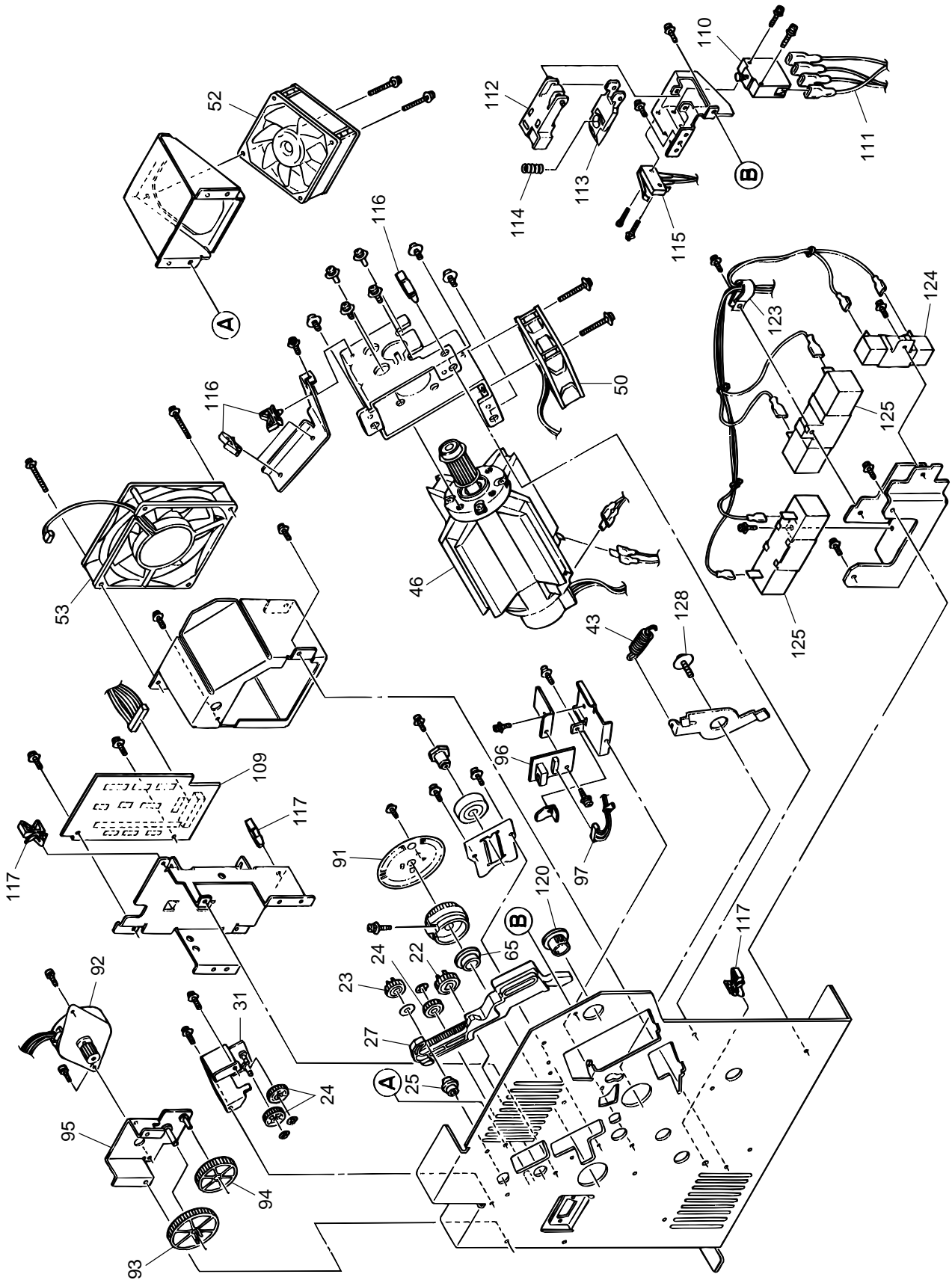


Fig.8-4

ML 4410

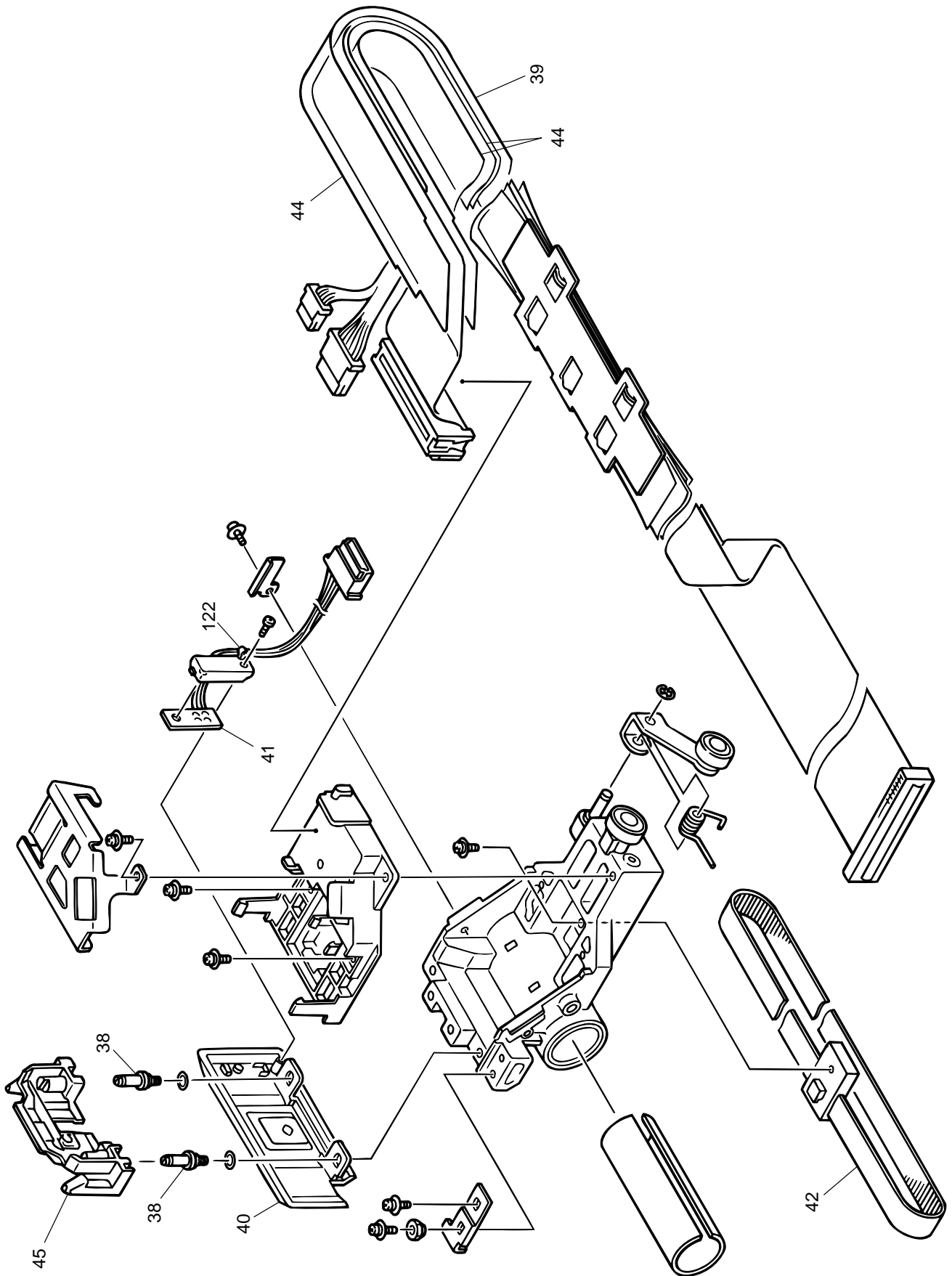


Fig.8-5

ML 4410

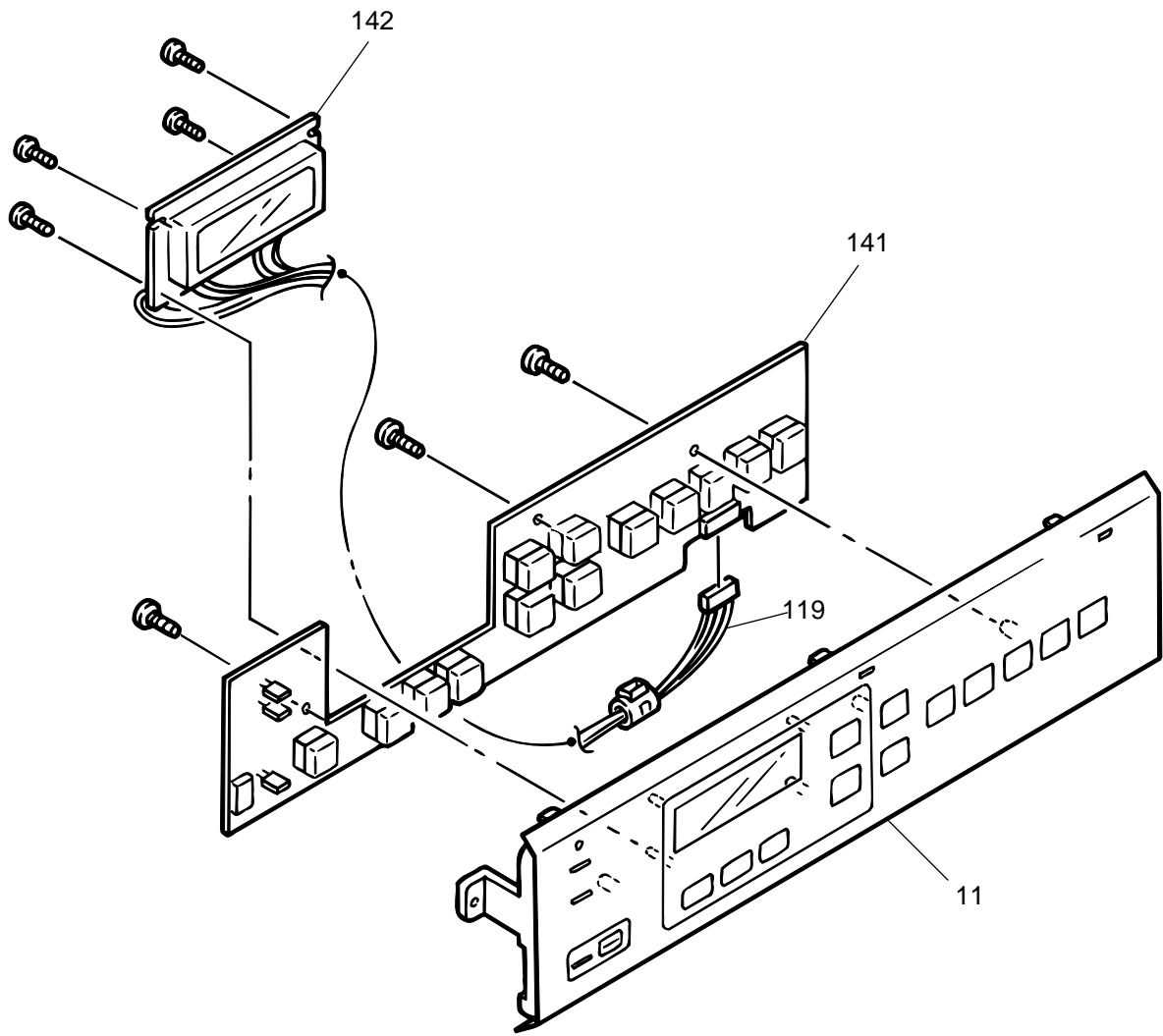


Fig.8-6

ML 4410

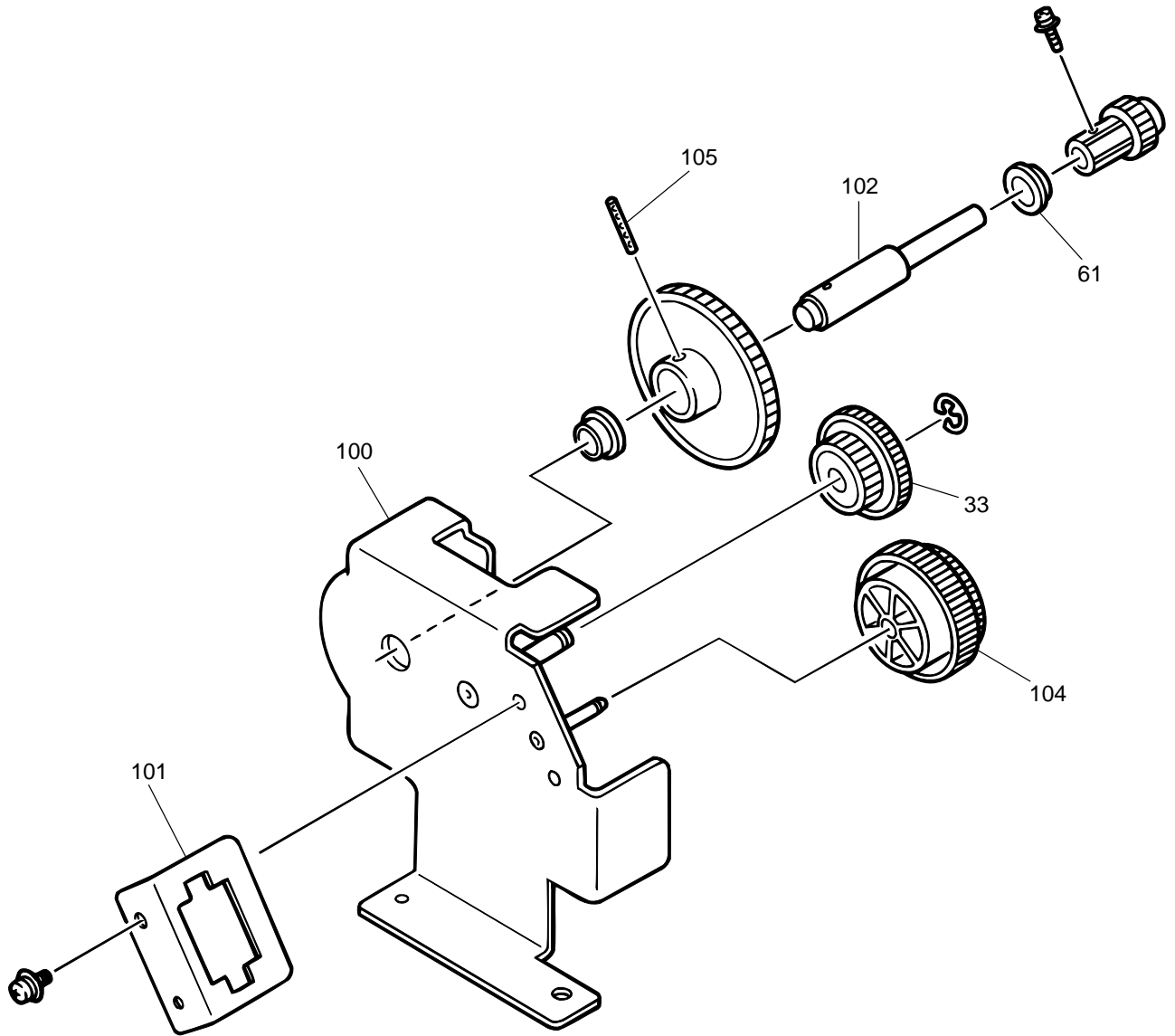


Fig.8-7

ML 4410

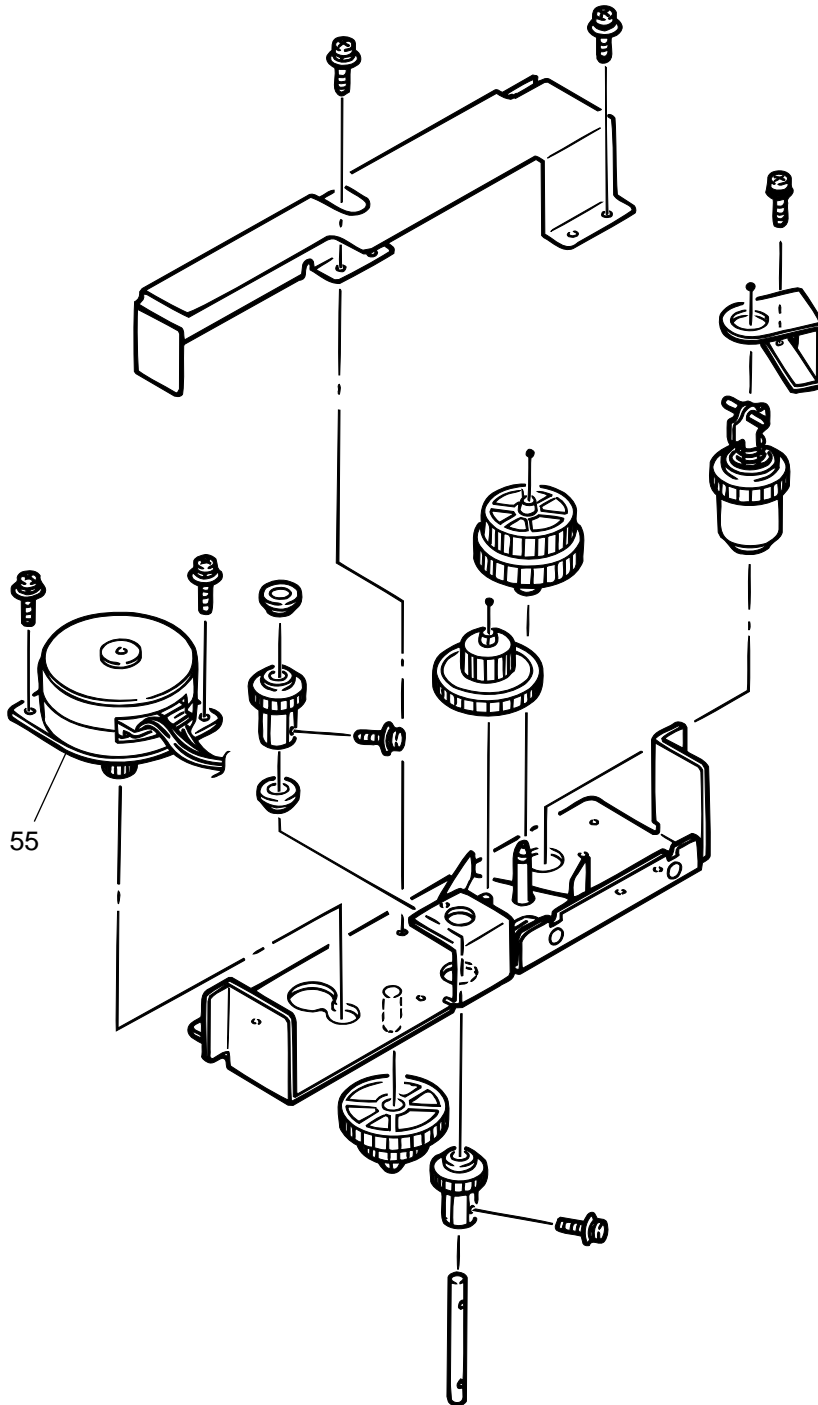


Fig.8-8

ML 4410

Table.8-1

| No. | Parts No. | Name | Q'ty/U | Recomended Q'ty | | | Remarks |
|-----|------------------|--------------------------------|--------|-----------------|------|------|---------|
| | | | | 500 | 1000 | 2000 | |
| 1 | 40538101 | Serial Dot Head-4410 | 1 | 20 | 40 | 80 | |
| 2 | 40677101 | Cover Assy-Lower | 1 | 3 | 6 | 12 | |
| 3 | 40677201 | Cover Assy-Front | 1 | 3 | 6 | 12 | ODA |
| 4 | 40677202 | Cover Assy-Front | 1 | 3 | 6 | 12 | OEL |
| 5 | 40677401 | Door Assy-Front | 1 | 3 | 6 | 12 | |
| 6 | 40768901 | Plate-Front (Sticking) | 1 | 3 | 6 | 12 | |
| 7 | 40520201 | Cover Assy-Access | 1 | 3 | 6 | 12 | |
| 8 | 40677601 | Cover Assy-Side (L) | 1 | 3 | 6 | 12 | |
| 9 | 40677901 | Cover Assy-Side (R) | 1 | 3 | 6 | 12 | |
| 10 | 40678301 | Frame Assy-Rear | 1 | 3 | 6 | 12 | |
| 11 | 40678901 | Frame-Opepane (Sticking) | 1 | 5 | 10 | 20 | |
| 12 | 40520501 | Cover-Rear (B) | 1 | 3 | 6 | 12 | |
| 13 | 40627701 | Guide-Paper (B) | 1 | 3 | 6 | 12 | |
| 14 | 40738901 | Cover-Brank (Lower) | 1 | 3 | 6 | 12 | |
| 15 | 40777901 | Plate-earth (Cover-Rear) | 1 | 3 | 6 | 12 | |
| 16 | 40658201 | Guide-Sheet | 1 | 3 | 6 | 12 | |
| 17 | 40498801 | Spring-Pressure | 3 | 3 | 6 | 12 | |
| 18 | 3PP4053-3795P001 | Pressure Roller Piece | 3 | 3 | 6 | 12 | |
| 19 | 4PB4044-1358P002 | Stopper | 2 | 3 | 6 | 12 | |
| 20 | 4PB4035-4456P001 | beaing | 2 | 3 | 6 | 12 | |
| 21 | 4LP-6418-13 | Ball Beaing RSF (12*8 W = 3.5) | 4 | 3 | 6 | 12 | |
| 22 | 40608401 | Drive Gear C | 1 | 3 | 6 | 12 | |
| 23 | 40608301 | Drive Gear B | 3 | 3 | 6 | 12 | |
| 24 | 4PP3520-1306P001 | Idle Gear | 3 | 3 | 6 | 12 | |
| 25 | 40555001 | Bearing – Metal (Bail) | 2 | 3 | 6 | 12 | |
| 26 | 40511801 | Lever – Bail Lift (L) | 1 | 3 | 6 | 12 | |
| 27 | 40511901 | Lever – Bail Lift (R) | 1 | 3 | 6 | 12 | |
| 28 | 40499601 | Bail Assy | 1 | 3 | 6 | 12 | |
| 29 | 40791701 | Spring (Bail) | 2 | 3 | 6 | 12 | |
| 30 | 40745501 | Screw Stud | 1 | 3 | 6 | 12 | |
| 31 | 40609201 | Bail Gear Bracket Assy | 1 | 3 | 6 | 12 | |
| 32 | 40608501 | Bail Motor Bracket Assy | 1 | 3 | 6 | 12 | |
| 33 | 4PP4122-1285P001 | Gear (Z19-Z52) | 3 | 3 | 6 | 12 | |
| 34 | 4LR-200494 | Brake Gear | 2 | 3 | 6 | 12 | |
| 35 | 40500801 | AG Sensor Lever Assy | 1 | 3 | 6 | 12 | |
| 36 | 40501201 | AG Sensor Coil Assy | 1 | 3 | 6 | 12 | |
| 37 | 40513401 | sensor lever assy | 2 | 3 | 6 | 12 | |

ML 4410

Table.8-2

| No. | Parts No. | Name | Q'ty/U | Recomended Q'ty | | | Remarks |
|-----|------------------|---|--------|-----------------|------|------|---------|
| | | | | 500 | 1000 | 2000 | |
| 38 | 40596601 | Ribbon Guide Post | 2 | 3 | 6 | 12 | |
| 39 | 40533501 | Head Cable Assy (FM50P) | 1 | 5 | 10 | 20 | |
| 40 | 40502901 | Protector Ribbon Assy | 1 | 10 | 20 | 40 | |
| 41 | 40887501 | Paper Width Sensor/Ribbon SW cord (with Sensor Cover and Tie Wrap) | 1 | 3 | 6 | 12 | |
| 42 | 40474701 | Space Belt | 1 | 5 | 10 | 20 | |
| 43 | 40099101 | Spring (Lift Arm) | 2 | 3 | 6 | 12 | |
| 44 | 40622101 | Head Cable Guide | 3 | 10 | 20 | 40 | |
| 45 | 40503401 | Guide Assy – Ribbon | 1 | 5 | 10 | 20 | |
| 46 | 40627101 | SP Motor | 1 | 5 | 10 | 20 | |
| 47 | 4PB4044-4138P001 | Idle Pulley | 1 | 3 | 6 | 12 | |
| 48 | 4PP4044-4155P001 | Pulley Shaft | 1 | 3 | 6 | 12 | |
| 49 | 4PB4044-4357P001 | Tension Spring | 1 | 3 | 6 | 12 | |
| 50 | 40507901 | Space Motor Fan | 1 | 3 | 6 | 12 | |
| 51 | 40719201 | Head Cooling Fan 2 | 1 | 3 | 6 | 12 | |
| 52 | 40505501 | Head Cooling Fan 1 | 1 | 3 | 6 | 12 | |
| 53 | 40505801 | PG Cooling Fan | 1 | 3 | 6 | 12 | |
| 54 | 40887401 | Ribbon Assy – Feed | 1 | 5 | 10 | 20 | |
| 55 | 40458201 | Motor – Ribbon | 1 | 5 | 10 | 20 | |
| 56 | 4PP4044-4232P001 | Waved Washer | 1 | 3 | 6 | 12 | |
| 57 | 40630001 | Drive Pulley | 2 | 3 | 6 | 12 | |
| 58 | 4PP4053-1321P001 | LF Knob Gear | 1 | 3 | 6 | 12 | |
| 59 | 40588401 | Pan Washer Feed | 3 | 3 | 6 | 12 | |
| 60 | 40507401 | Washer | 3 | 3 | 6 | 12 | |
| 61 | 4PP4043-2590P001 | Bush | 2 | 3 | 6 | 12 | |
| 62 | 40507601 | Sprocket Assy (L) | 1 | 3 | 6 | 12 | |
| 63 | 40508101 | Sprocket Assy (R) | 1 | 3 | 6 | 12 | |
| 64 | 40508301 | Front Tractor Drive Gear | 1 | 3 | 6 | 12 | |
| 65 | 4PP4044-3489P001 | Tractor Bush | 4 | 3 | 6 | 12 | |
| 66 | 40508401 | Washer | 1 | 3 | 6 | 12 | |
| 67 | 40588501 | Pan Washer Tractor Feed | 1 | 3 | 6 | 12 | |
| 68 | 5LR-123467 | Sheet Guide | 2 | 3 | 6 | 12 | |
| 69 | 40508701 | Sheet Feeder Assy (L) Rear | 1 | 3 | 6 | 12 | |
| 70 | 40509101 | Sheet Feeder Assy (R) Rear | 1 | 3 | 6 | 12 | |
| 71 | 40778401 | Rear Tractor Drive Gear | 1 | 3 | 6 | 12 | |
| 72 | 4PP4044-4268P001 | Drive Gear B | 1 | 3 | 6 | 12 | |
| 73 | 40555501 | Rear Tractor Bush | 4 | 3 | 6 | 12 | |

ML 4410

Table.8-3

| No. | Parts No. | Name | Q'ty/U | Recomended Q'ty | | | Remarks |
|-----|------------------|--|--------|-----------------|------|------|---------|
| | | | | 500 | 1000 | 2000 | |
| 74 | 40509501 | Washer | 2 | 3 | 6 | 12 | |
| 75 | 40588601 | Pan Washer Tractor Rear | 2 | 3 | 6 | 12 | |
| 76 | 40509601 | Center Guide (U) | 1 | 3 | 6 | 12 | |
| 77 | 3PP4043-2453P001 | Center Guide Lower A | 1 | 3 | 6 | 12 | |
| 78 | 40509701 | Guide Lower B - Center | 1 | 3 | 6 | 12 | |
| 79 | 4PP4043-2451P001 | Friction Piece | 1 | 3 | 6 | 12 | |
| 80 | 40510501 | Change Motor Bracket Assy | 1 | 3 | 6 | 12 | |
| 81 | 40511101 | Tractor Change Lever | 1 | 3 | 6 | 12 | |
| 82 | 40794401 | Tractor Change Lever SP | 1 | 3 | 6 | 12 | |
| 83 | 40615101 | LF Motor | 1 | 5 | 10 | 20 | |
| 84 | 4LP-1313-33 | Mini-pitch Belt | 1 | 5 | 10 | 20 | |
| 85 | 40511201 | LF Gear | 1 | 3 | 6 | 12 | |
| 86 | 40511301 | Tractor Change Gear | 1 | 3 | 6 | 12 | |
| 87 | 4LB-190700-A | Coil Spring | 1 | 3 | 6 | 12 | |
| 88 | 4PP4044-2800P001 | Idle Roller | 1 | 3 | 6 | 12 | |
| 89 | 40511401 | Pulley Assy - Idle | 1 | 3 | 6 | 12 | |
| 90 | 40534201 | Bail Open SW/Front Tractor ONSW Cord | 1 | 3 | 6 | 12 | |
| 91 | 40141301 | Slit Disk | 1 | 3 | 6 | 12 | |
| 92 | 40472401 | Change Motor | 3 | 5 | 10 | 20 | |
| 93 | 4PP4044-3594P001 | Idle Gear C | 1 | 3 | 6 | 12 | |
| 94 | 5LR-191324 | Tractor Idle Gear | 1 | 3 | 6 | 12 | |
| 95 | 40512501 | AG Motor Bracket Assy | 1 | 3 | 6 | 12 | |
| 96 | 40751101 | PGA Printed Circuit Board Specifications (only PGA BCB) | 1 | 5 | 10 | 20 | |
| 97 | 40534601 | AG Slit Sensor Cord | 1 | 3 | 6 | 12 | |
| 98 | 40513901 | JAM Sensor Assy | 1 | 3 | 6 | 12 | |
| 99 | 40533901 | Paper JAM/Bail PE Sensor Cord | 1 | 3 | 6 | 12 | |
| 100 | 40646401 | Knob bracket Assy | 1 | 3 | 6 | 12 | |
| 101 | 40794501 | Knob Cover | 1 | 3 | 6 | 12 | |
| 102 | 40646101 | Idle Gear Shaft | 1 | 3 | 6 | 12 | |
| 103 | 4PP4043-2502P001 | CSF Drive Gear | 1 | 3 | 6 | 12 | |
| 104 | 4PP4044-4193P001 | Adjust Knob | 1 | 3 | 6 | 12 | |
| 105 | SPP3-14SUS | Spring Pin | 1 | 3 | 6 | 12 | |
| 106 | 4PP4043-1895P001 | Stacker Gear | 1 | 3 | 6 | 12 | |
| 107 | 40750801 | PHA Printed Circuit Board Specifications (with I/F Board and Bracket) | 1 | 5 | 10 | 20 | |
| 108 | 40533801 | I/F Connection Cable HIROSEFC68 | 1 | 3 | 6 | 12 | |

ML 4410

Table.8-4

| No. | Parts No. | Name | Q'ty/U | Recomended Q'ty | | | Remarks |
|-----|------------------|--|--------|-----------------|------|------|---------|
| | | | | 500 | 1000 | 2000 | |
| 109 | 40750901 | PRA Printed Circuit Board Specifications (only Trunk Board) | 1 | 5 | 10 | 20 | |
| 110 | 2051001P1000 | Interlock SW (AV14053) | 1 | 5 | 10 | 20 | |
| 111 | 40785101 | Interlock SW Connection Cord | 1 | 3 | 6 | 12 | |
| 112 | 40514401 | Cover Open Lever | 1 | 3 | 6 | 12 | |
| 113 | 40514501 | Interlock Switch Lever | 1 | 3 | 6 | 12 | |
| 114 | 40552901 | Interlock Switch Lever SP | 1 | 3 | 6 | 12 | |
| 115 | 40534501 | Cover Open SW/Ribbon Sensor Rotation Cord | 1 | 3 | 6 | 12 | |
| 116 | 40798701 | Locking Wire Saddle | 10 | 5 | 10 | 20 | |
| 117 | 40798702 | Locking Wire Saddle | 10 | 5 | 10 | 20 | |
| 118 | 40652901 | Continuous Form Cutter Code | 1 | 3 | 6 | 12 | |
| 119 | 40820601 | Operation Panel Code (with Core) | 1 | 3 | 6 | 12 | |
| 120 | 40795002 | One-Touched Bush | 5 | 3 | 6 | 12 | |
| 121 | 4LP-6693-3 | Flat Cable Clip (FCC-225 19.1*76.2) | 1 | 3 | 6 | 12 | |
| 122 | 4LP-6401-B1 | Tie Wrap (SHT18R-HS/TY-23M) | 1 | 10 | 20 | 40 | |
| 123 | 4LP-6342-2 | Wire Bundle Clamp | 2 | 5 | 10 | 20 | |
| 124 | 3200561J0620 | Brake Resistor (62Ω, 15W) | 1 | 3 | 6 | 12 | |
| 125 | 3200560J0120 | Oscillation Resistor (12Ω, 40W) | 2 | 3 | 6 | 12 | |
| 126 | 4PB3529-5116P001 | Tapping Screw | | 10 | 20 | 40 | |
| 127 | 4PB4013-3100P006 | Cup Screw (S Tight M3) | | 10 | 20 | 40 | |
| 128 | 4PB4053-1883P002 | Cup Screw with Washer | 6 | 10 | 20 | 40 | |
| 129 | 40750403 | PMA Printed Circuit Board Specifications (no ROM, with Bracket, Sheet and Fuse) | 1 | 5 | 10 | 20 | ODA |
| 130 | 40750404 | PMA Printed Circuit Board Specifications (no ROM, with Bracket, Sheet and Fuse) | 1 | 5 | 10 | 20 | OEL |
| 131 | 540A2067T1632 | Fuse (237-06.3) | 1 | 10 | 20 | 40 | |
| 132 | 540A2036M1502 | Fuse (GGS5) | 1 | 10 | 20 | 40 | |
| 133 | 40751201 | Control ROM Writing Specifications | 1 | 5 | 10 | 20 | ODA |
| 134 | 40751301 | Font ROM Writing Specifications | 1 | 5 | 10 | 20 | ODA |
| 135 | 40756201 | Control ROM Writing Specifications | 1 | 5 | 10 | 20 | OEL |
| 136 | 40784201 | Font ROM Writing Specifications | 1 | 5 | 10 | 20 | OEL |
| 137 | 40750701 | PDA Printed Circuit Board Specifications (with Driver Board and Bracket) | 1 | 5 | 10 | 20 | |
| 138 | 40414001 | Power Supply | 1 | 10 | 20 | 40 | |
| 139 | 40534401 | Trunk Board Cord | 1 | 3 | 6 | 12 | |
| 140 | 40785001 | SP Slit Sensor Cord | 1 | 3 | 6 | 12 | |

ML 4410

Table.8-5

| No. | Parts No. | Name | Q'ty/U | Recomended Q'ty | | | Remarks |
|-----|------------------|--|--------|-----------------|------|------|---------|
| | | | | 500 | 1000 | 2000 | |
| 141 | 40751001 | POA Printed Circuit Board Specifications (only Operation Panel Board) | 1 | 5 | 10 | 20 | |
| 142 | 40742901 | LDC Assy (with Cord and Core) | 1 | 5 | 10 | 20 | |
| 143 | 40533301 | Nylon Connector Cord (13P) | 1 | 3 | 6 | 12 | |
| 144 | 4YS4011-4311P006 | Nylon Connector Cord (12P) | 1 | 3 | 6 | 12 | |
| 145 | | | | | | | |
| 146 | | | | | | | |
| 147 | | | | | | | |
| 148 | | | | | | | |