

8 Parts and diagrams

This chapter contains information about ordering parts, supplies, and accessories. It includes diagrams of the major subassemblies of the MFP and includes the part numbers for replaceable parts.

- [How to order parts, supplies, and accessories](#)
- [How to use the parts lists and diagrams](#)
- [Screws that are used in the MFP](#)
- [Customer-replaceable parts and accessories](#)
- [Documentation, software, and training material](#)
- [Assembly locations](#)
- [External components](#)
- [Print-engine internal components](#)
- [ADF components](#)
- [Scanner components](#)
- [500-sheet feeder components](#)
- [Optional devices](#)
- [Alphabetical parts list](#)
- [Numerical parts list](#)

How to order parts, supplies, and accessories

Parts

All standard part numbers that are listed in this chapter can be ordered from the HP Customer Services and Support Organization. To search for HP product parts by using the HP product name, the model number, or the part number, go to www.partsurfer.hp.com. You can also choose the HP product from a list.

To order parts, go to www.hp.com/buyparts.

Supplies and accessories

Order supplies and accessories from the following Web sites:

- North America: www.hp.com/sbso/product/supplies
- Canada: www.hp.ca/catalog/supplies
- Europe: www.hp.com/go/supplies
- Asia Pacific: www.hp.com/paper

The following lists of supplies and accessories were current at the time of printing. Availability of accessories might change during the life of the MFP.

How to use the parts lists and diagrams

The figures in this chapter illustrate the major field replaceable unit (FRU) assemblies and subassemblies in the HP LaserJet 4345mfp Series. A table (parts number list) follows each exploded assembly diagram. The tables list a reference number for each specific part, the part number, and a brief description of the part.



CAUTION When looking for an electrical part, pay careful attention to the voltage that is listed in the part description column to ensure that the component part number that you select is for the correct MFP model.



NOTE Parts that do not have a reference number or part number are not FRUs, and cannot be ordered as individual replacement parts. However, all serviceable parts should be available as part of a larger operable subassembly.

The following lists of supplies and accessories were current at the time of printing. Availability of accessories might change during the life of the MFP.

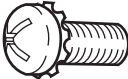
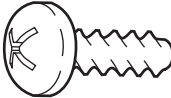
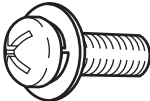

Screws that are used in the MFP

The following table describes the screws that are used in the MFP and provides guidelines to help determine where each type of screw is used. The screws can vary in length depending on the thickness of the material that is being fastened. Always note where each type of screw is located and replace each one in its original location.



NOTE When you are disassembling the MFP, place the screws into the chassis holes from which they were removed. This prevents their loss, and ensures that the correct type and length of screw for each location is used when the MFP is reassembled.

Table 8-1 Common fasteners used in this MFP

Drawing and description	Purpose
 <p>Phillips-head machine screw with captive star washer</p>	<p>This screw is used to fasten metal to metal when good electrical contact is needed. This screw also provides high resistance to loosening.</p>
 <p>Phillips-head screw with self-tapping threads</p>	<p>This screw is used to fasten sheet metal or plastic to plastic frames (the deep, coarsely spaced threads provide an increased holding capability while decreasing the possibility of stripping the target hole).</p> <p>NOTE To install a self-tapping screw, first turn it counterclockwise to align it with the existing thread pattern, and then carefully turn it clockwise to tighten it. You will feel resistance and hear the screw click when it engages the existing threads in the hole. Do not overtighten the screw. If a self-tapping screw-hole becomes stripped, repair the screw-hole or replace the affected assembly.</p>
 <p>Phillips washer-head machine screw with a broad, flat washer attached to the screw head</p>	<p>This screw is used to fasten sheet metal parts to the sheet metal chassis. It spans large clearance holes and distributes the load by increasing the bearing surface.</p>
Screw measurement guide	
<p>6mm 8mm 10mm 12mm M3 M4</p> 	

Customer-replaceable parts and accessories

Accessories

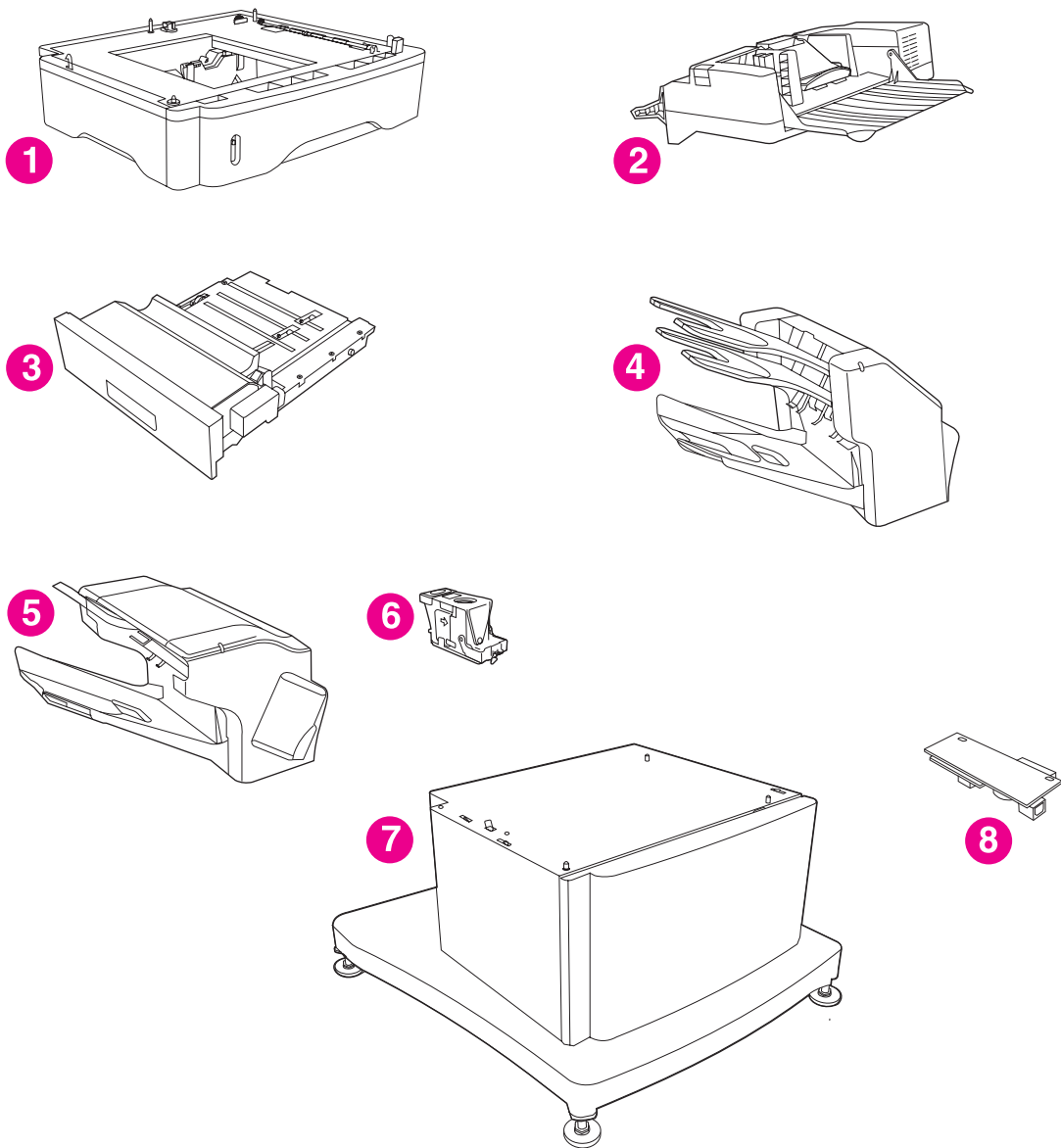


Figure 8-1 Accessories

Table 8-2 Accessories

Reference	Description	Part number	Quantity
1	Optional 500-sheet tray and feeder unit	Q5968-67901	1
2	Envelope feeder	Q2438-67902	1
3	Duplexer (duplex printing accessory)	Q5969-69001	1
4	3-bin mailbox	RM1-0981-000CN	1
5	500-sheet stapler/stacker	RC1-2597-000CN	1
6	5,000-staple cartridge	C8085-60541	1
7	Storage cabinet	Q5970A	1
8	HP LaserJet analog fax accessory 300	Q3701-60002	1

Customer-replaceable components (print engine)

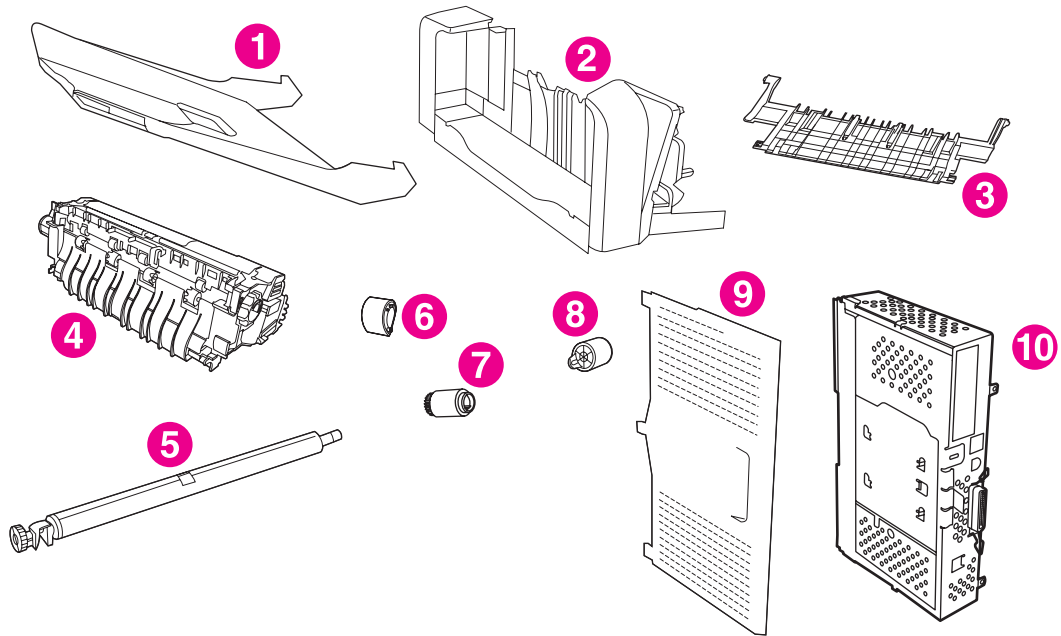


Figure 8-2 Customer-replaceable components (print engine)

Table 8-3 Customer-replaceable components (print engine)

Reference	Description	Part number	Quantity
1	Output bin	RM1-0940-000CN	1
2	Delivery tray assembly	RM1-1047-000CN	1
3	Fuser entrance guide	RM1-1046-000CN	1
4	Fuser, 110-volt, new	RM1-1043-000CN	1
4	Fuser, 2210-volt, new	RM1-1044-000CN	1
5	Roller assembly, transfer	RM1-1110-000CN	1
6	Roller, pickup, multipurpose assembly	RL1-0019-000CN	1
7	Roller, paper-feed (cassette)	RM1-0037-000CN	2
8	Roller, paper-pickup (cassette)	RM1-0036-000CN	1
9	Cover, formatter	RC1-3035-000CN	1
10	Formatter assembly, new	Q3942-67901	1
10	Formatter assembly, exchange	Q3942-69001	1

Customer-replaceable components (ADF and scanner)

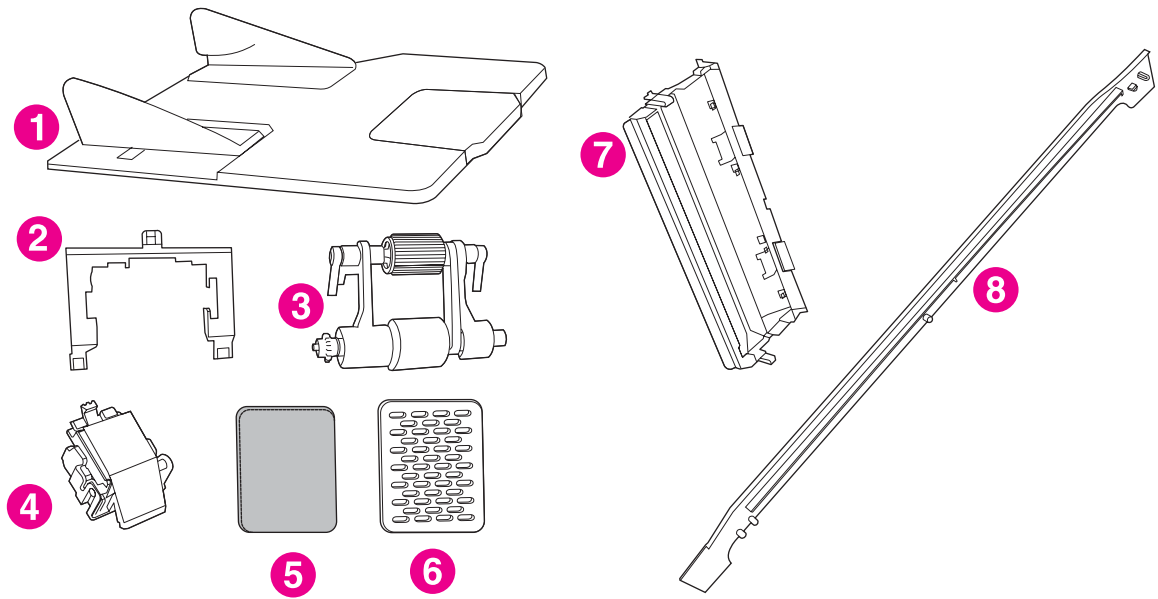


Figure 8-3 Customer-replaceable components (ADF and scanner)

Table 8-4 Customer-replaceable components (ADF and scanner)

Reference	Description	Part number	Quantity
1	ADF input tray	PF2282K042NI	1
2	ADF pickup-roller cover	PF2282K040NI	1
3	ADF pickup-roller assembly	PF2282K039NI	1
4	ADF separation-pad assembly	PF2282K035NI	1
5	ADF fan filter	IR4041P007NI	1
6	ADF fan-filter cover	IR4041P217NI	1
7	ADF mylar-holder assembly	PF2282K043NI	1
8	ADF front-cover flange	IR4041P215NI	1

Cables and interfaces

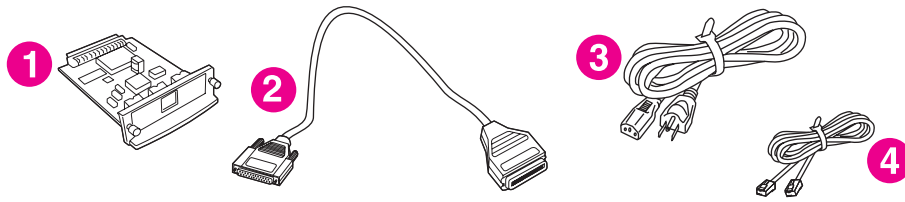


Figure 8-4 Cables and interfaces

Table 8-5 Cables and interfaces

Reference	Description	Part number	Quantity
1	HP Jetdirect 620n Fast Ethernet (10/100Base-TX) print server (EIO card)	J7934A	1
1	HP Jetdirect connectivity card for USB, serial, and LocalTalk connections	J4135A	1
2	Parallel cable, 2-meter IEEE 1284-B compliant	C2950A	1
2	Parallel cable, 3-meter IEEE 1284-B compliant	C2951A	1
3	Power cord, OPT-918 3-COND 2.3-M-LG	8120-6798	1
3	Power cord, OPT-903 3-COND 2.25-M-LG	8120-6812	1
3	Power cord, OPT-917 3-COND 2.25-M-LG	8120-6813	1
3	Power cord, OPT-912 3-COND 2.25-M-LG	8120-6814	1
3	Power cord, OPT-906 3-COND 2.25-M-LG	8120-6815	1
3	Power cord, OPT-920 3-CON 2.3-M-LG	8120-6869	1
3	Power cord, OPT-921 3-COND 2.3-M-LG	8120-6980	1
3	Power cord, OPT-900 3-COND 2.3-M-LG	8120-8706	1
3	Power cord, OPT-922 3-COND 2.3-M-LG	8120-8707	1
3	Power cord, OPT-901 3-COND 2.3-M-LG	8121-0834	1
4	Phone cord, MOD-PHONE-ASSY 6-COND 118-IN-LG	8121-0811	1
4	Phone cord, cable-modem-facsimile, Korean	8120-8908	1
4	Phone cord, United Kingdom	8120-8921	1
4	Phone cord, Germany and Eastern Europe	8120-8912	1
4	Phone cord, Netherlands	8120-8915	1
4	Phone cord, France	8120-8923	1
4	Phone cord, Norway	8120-8916	1
4	Phone cord, Switzerland	8120-8919	1
4	Phone cord, Turkey	8120-8920	1
4	Phone cord, Denmark	8120-8911	1
4	Phone cord, Italy	8120-8914	1
4	Phone cord, South Africa	8120-8917	1
4	Phone cord, Czech Republic/SK	8120-8922	1
4	Phone cord, Australia	8120-8907	1

Control panel and control-panel overlays

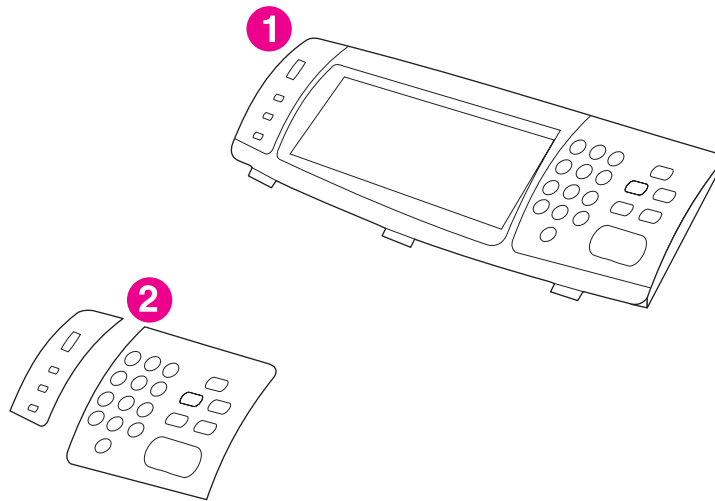


Figure 8-5 Control panel and control-panel overlays

Table 8-6 Control panel and control-panel overlays

Reference	Description	Part number	Quantity
1	Control-panel assembly	Q3942-60102	1
2	Control-panel overlays, English	Q3942-60103	1
2	Control-panel overlays, French	Q3942-60104	1
2	Control-panel overlays, Italian	Q3942-60105	1
2	Control-panel overlays, German	Q3942-60106	1
2	Control-panel overlays, Spanish	Q3942-60107	1
2	Control-panel overlays, Dutch	Q3942-60108	1
2	Control-panel overlays, Portuguese	Q3942-60109	1
2	Control-panel overlays, Norwegian	Q3942-60110	1
2	Control-panel overlays, Swedish	Q3942-60111	1
2	Control-panel overlays, Finnish	Q3942-60112	1
2	Control-panel overlays, Danish	Q3942-60113	1
2	Control-panel overlays, Polish	Q3942-60114	1
2	Control-panel overlays, Russian	Q3942-60115	1
2	Control-panel overlays, Czech	Q3942-60116	1
2	Control-panel overlays, Hungarian	Q3942-60117	1
2	Control-panel overlays, Simplified Chinese	Q3942-60119	1
2	Control-panel overlays, Traditional Chinese	Q3942-60118	1
2	Control-panel overlays, Korean	Q3942-60120	1
2	Control-panel overlays, Japanese	Q3942-60121	1
2	Control-panel overlays, Turkish	Q3942-60122	1
2	Control-panel overlays, Greek	Q3942-60123	1
2	Control-panel overlays, Hebrew	Q3942-60124	1
2	Control-panel overlays, Arabic	Q3942-60125	1
2	Control-panel overlays, Thai	Q3942-60132	1

Memory

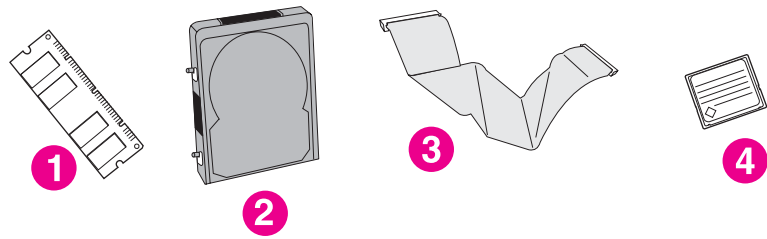


Figure 8-6 Memory

Table 8-7 Memory

Reference	Description	Part number	Quantity
1	100-pin DDR memory DIMM (dual inline memory module), 64 MB	Q2625A	1
1	100-pin DDR memory DIMM, 128 MB	Q2626A	1
1	100-pin DDR memory DIMM, 256 MB	Q2627-67951	1
2	Hard disk, 20 GB	J7948-61003	1
3	Cable for hard disk, flat-flexible	5851-1827	1
4	Flash memory card, 32 MB	Q2635-67907	1

Print cartridge and maintenance kits

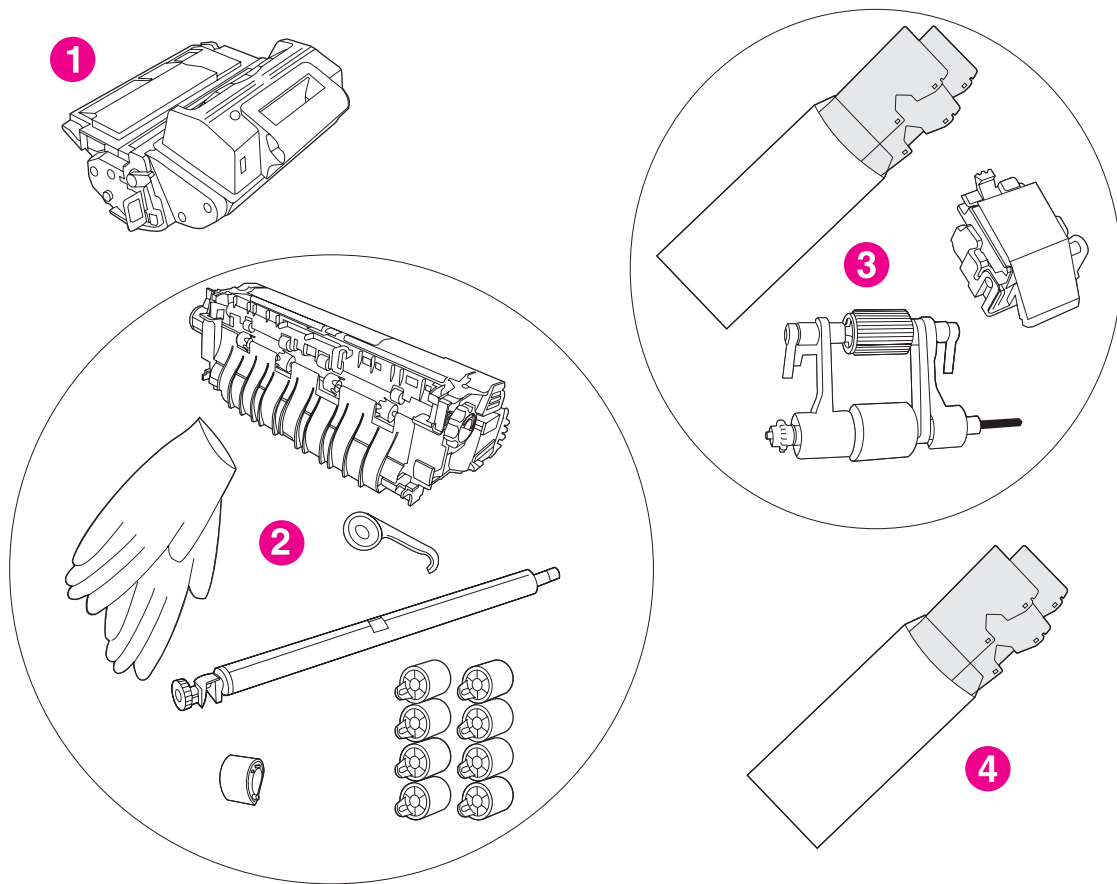


Figure 8-7 Print cartridge and maintenance kits

Table 8-8 Print cartridge and maintenance kits

Reference	Description	Part number	Quantity
1	HP LaserJet print cartridge	Q5945-67901	1
2	Printer maintenance kit, 110-volt	Q5998-67901	1
2	Printer maintenance kit, 220-volt	Q5999-67901	1
3	ADF maintenance kit	Q5997-67901	1
4	ADF mylar replacement kit	Q6496-67901	1

Documentation, software, and training material

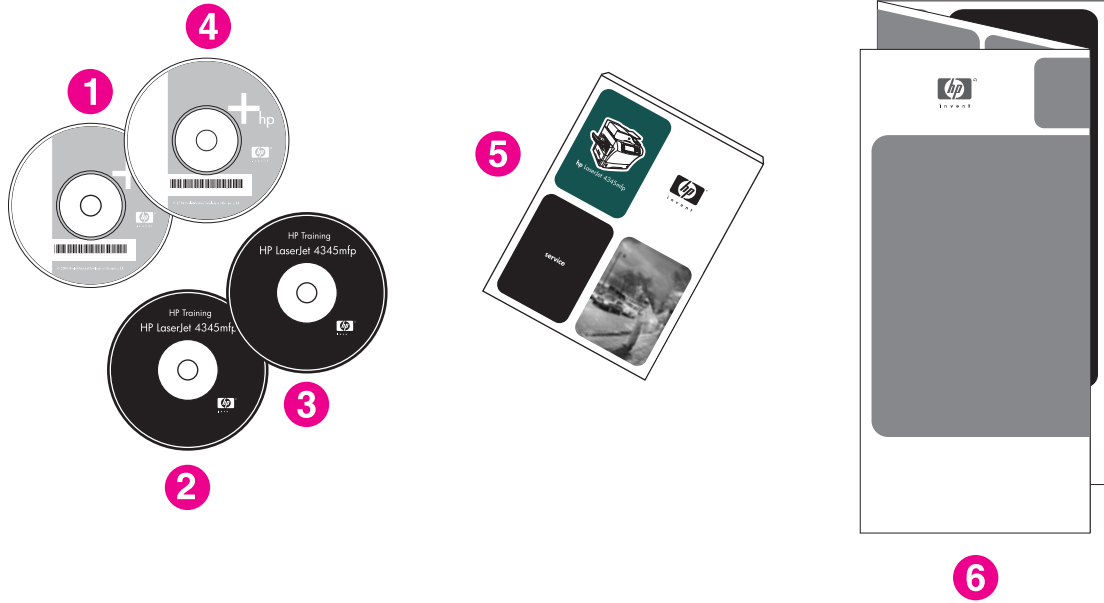


Figure 8-8 Documentation, software, and training material

Table 8-9 Documentation, software, and training material

Reference	Description	Part number	Quantity
1	HP LaserJet 4345mfp Series software CD, America and Western Europe	Q3942-60135	1
1	HP LaserJet 4345mfp Series software CD, Western Europe	Q3942-60136	1
1	HP LaserJet 4345mfp Series software CD, Northern Europe	Q3942-60137	1
1	HP LaserJet 4345mfp Series software CD, Eastern Europe	Q3942-60138	1
1	HP LaserJet 4345mfp Series software CD, Asia	Q3942-60139	1
2	Customer in-box training CD, English only	MKTNG-00473	1
3	Service and support training CD	C3942-60133	1
4	HP Digital Sending Software CD (trial version)	MKTNG-00472	1
5	HP LaserJet 4345mfp Series service manual	Q3942-90950	1
6	Wall poster, quick reference, English and French	Q3942-90925	1
6	Wall poster, quick reference, Italian and German	Q3942-90926	1
6	Wall poster, quick reference, Spanish and Portuguese	Q3942-90927	1
6	Wall poster, quick reference, Dutch and Swedish	Q3942-90928	1
6	Wall poster, quick reference, Danish and Norwegian	Q3942-90929	1
6	Wall poster, quick reference, Finnish and Russian	Q3942-90930	1
6	Wall poster, quick reference, Czech and Polish	Q3942-90931	1
6	Wall poster, quick reference, Hungarian and Turkish	Q3942-90932	1
6	Wall poster, quick reference, Simplified Chinese and Korean	Q3942-90933	1
6	Wall poster, quick reference, Traditional Chinese and English	Q3942-90934	1

Assembly locations

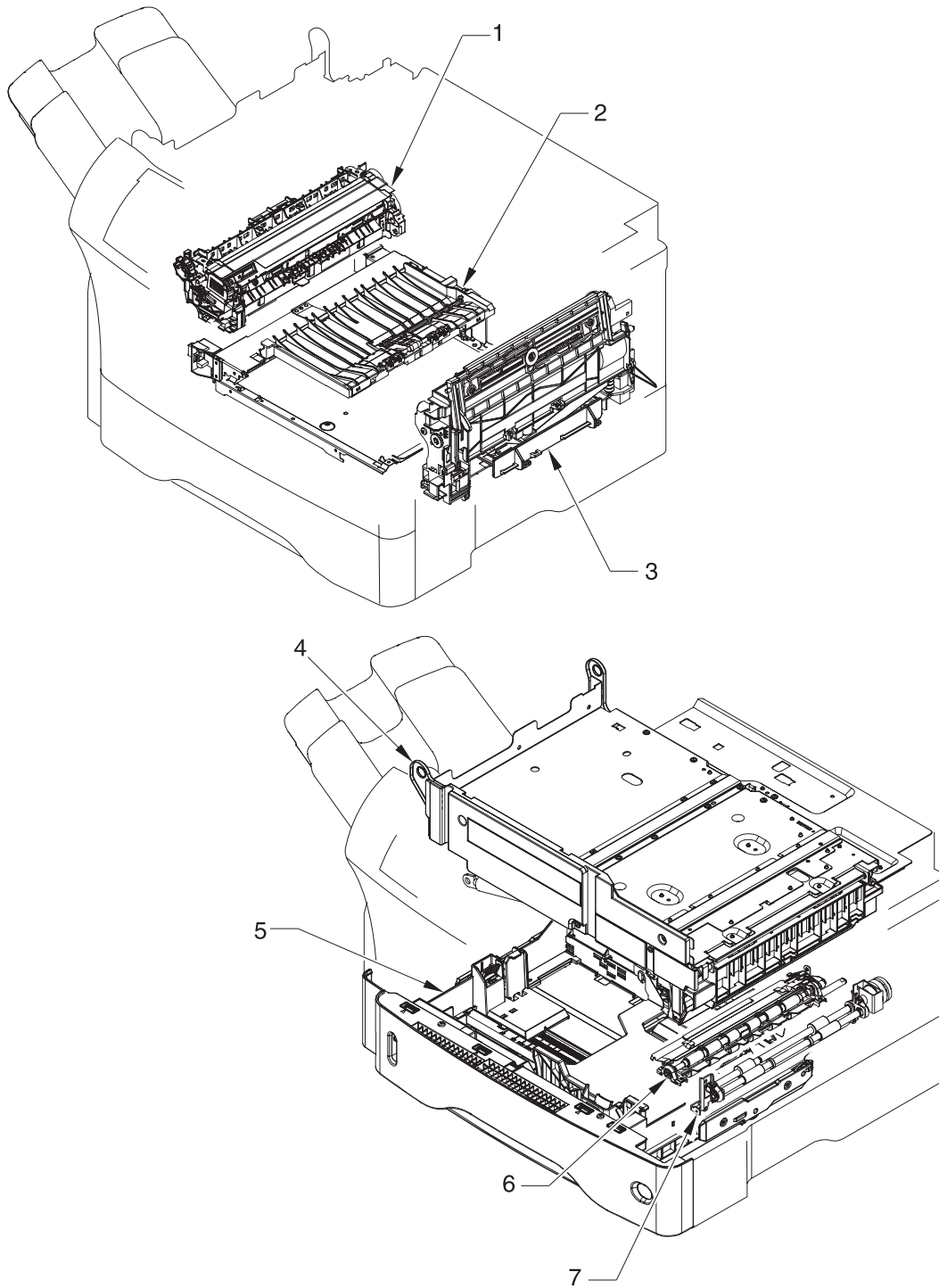


Figure 8-9 Print-engine assemblies (1 of 2)

Item	Assembly name	Details
1	Fuser	See Figure 8-29 Fuser .
2	Electrical/forward assembly	See Figure 8-18 Electrical/forward assembly .
3	Multipurpose assembly	See Figure 8-25 Multipurpose assembly .
4	Upper-plate assembly	See Figure 8-12 Upper-plate assembly .
5	Cassette	See Figure 8-22 Cassette .
6	Registration assembly	See Figure 8-24 Registration assembly .
7	Paper-feed-roller assembly	See Figure 8-23 Paper-feed roller assembly .

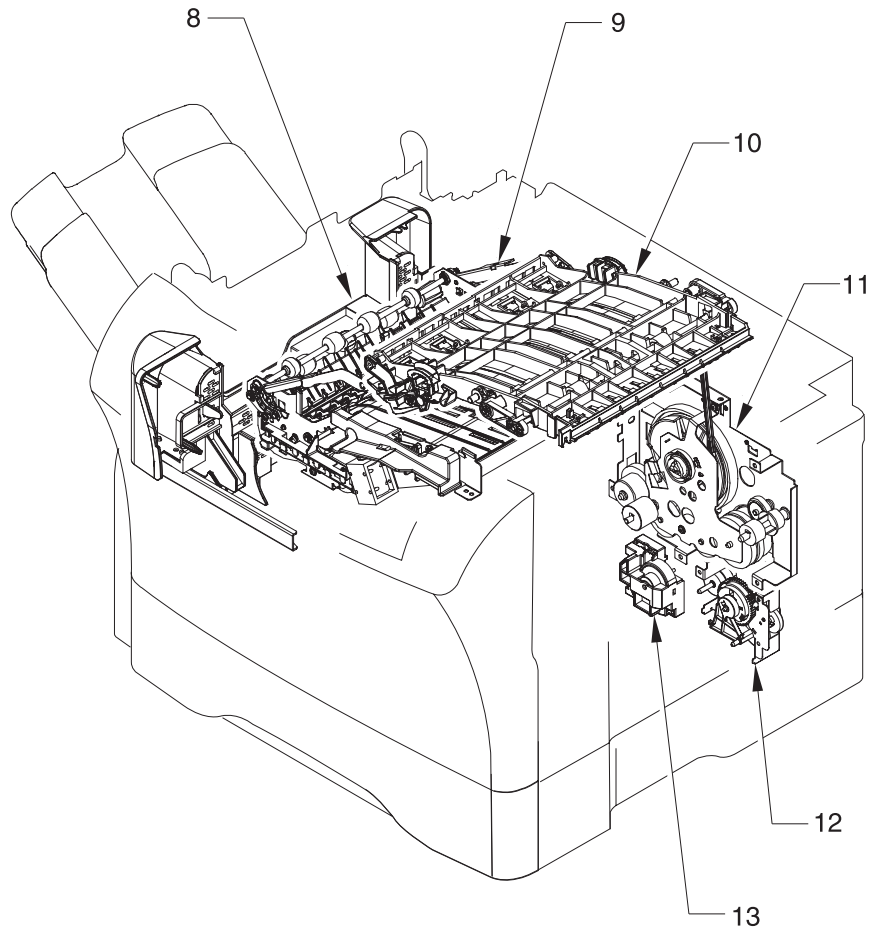


Figure 8-10 Print-engine assemblies (2 of 2)

Item	Assembly name	Details
8	Delivery assembly	See Figure 8-28 Delivery assembly .
9	Reverse assembly	See Figure 8-26 Reverse assembly .
10	Reverse-separation-guide assembly	See Figure 8-27 Reverse-separation-guide assembly .
11	Main drive assembly	See Figure 8-19 Main drive assembly .
12	Paper-pickup-drive assembly	See Figure 8-20 Paper-pickup-drive assembly .
13	Lifter-drive assembly	See Figure 8-21 Lifter-drive assembly .

External components

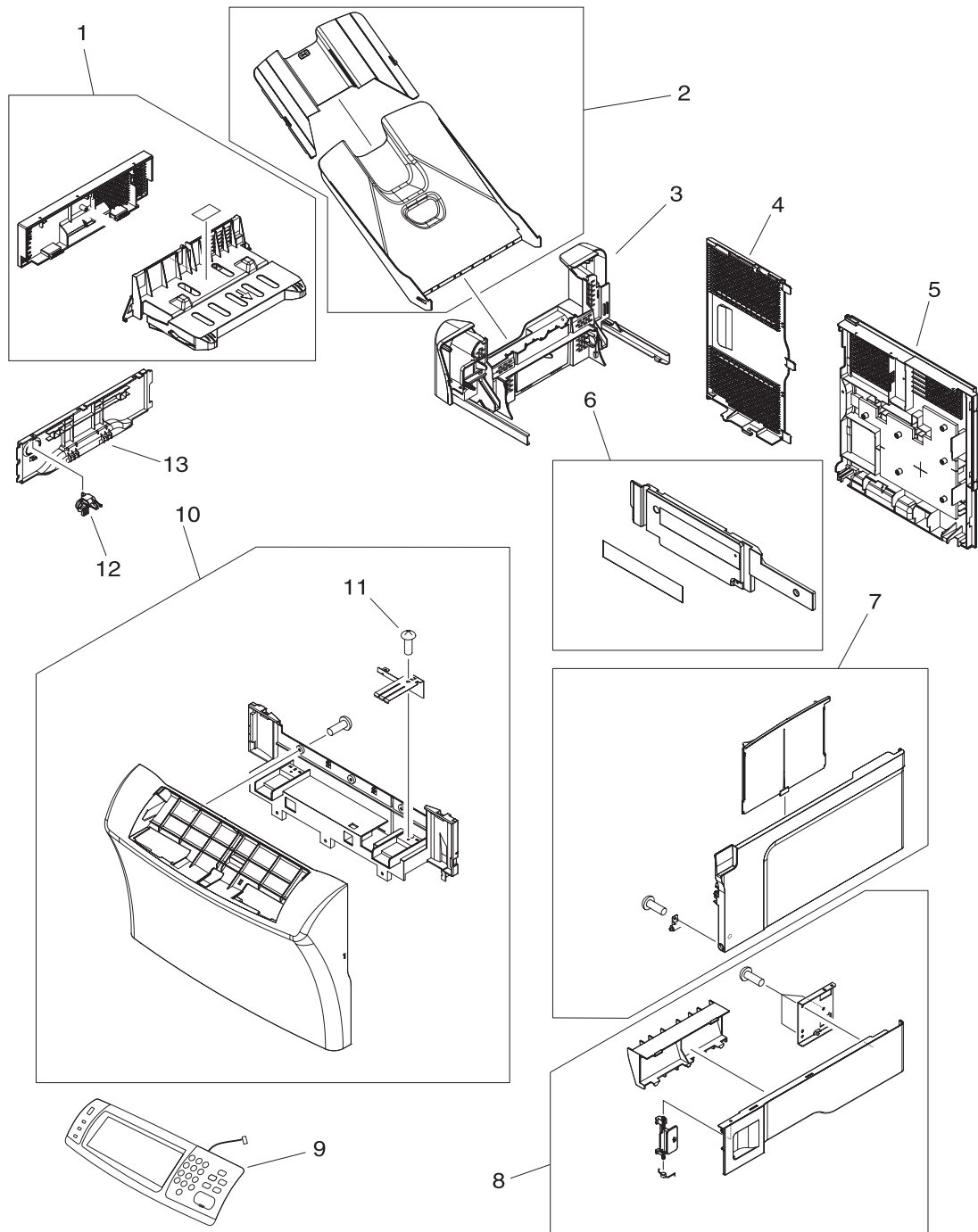


Figure 8-11 External panels and covers

Table 8-10 External panels and covers

Reference	Description	Part number	Quantity
1	Cover, duplexing-unit assembly	RM1-1018-000CN	1
2	Output-bin assembly	RM1-0940-000CN	1
3	Delivery assembly	RM1-1047-000CN	1
4	Cover, formatter	RC1-3035-000CN	1
5	Cover, rear	RM1-1017-000CN	1
6	Cover, front corner	RL1-0457-000CN	1
7	Cover, right assembly	RM1-1016-000CN	1
8	Cover, right lower assembly	RM1-1033-000CN	1
9	Control-panel assembly	Q3942-60102	1
10	Cover, front assembly	RM1-1015-000CN	1
11	Screw, tapping, pan-head, M4x10	XB4-7401-0007CN	
12	Switch, power	RC1-3044-000CN	1
13	Cover, cassette, left side	RC1-3043-000CN	1

Print-engine internal components

Upper-plate assembly

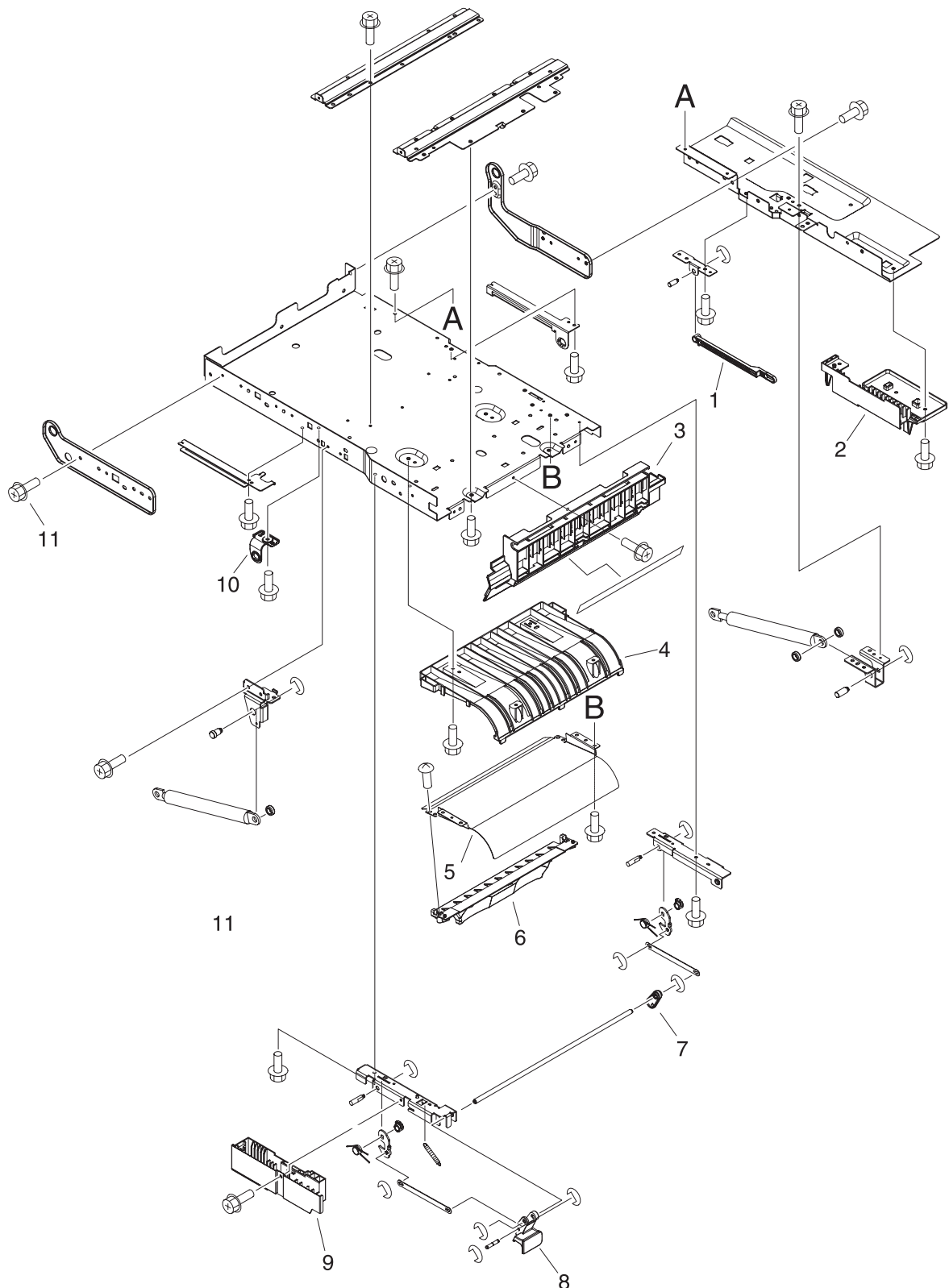


Figure 8-12 Upper-plate assembly

Table 8-11 Upper-plate assembly

Reference	Description	Part number	Quantity
1	Rod, link (upper plate)	RC1-2830-000CN	1
2	Cover, rear lock (upper plate)	RC1-2821-000CN	1
3	Holder, right shutter (upper plate)	RC1-2855-000CN	1
4	Guide, legal-size (upper plate)	RC1-2854-000CN	1
5	Guide, cartridge (upper plate)	RC1-2853-000CN	1
6	Support, cartridge (upper plate)	RC1-2856-000CN	1
7	Link, handle (upper plate)	RC1-2822-000CN	1
8	Handle, lock (upper plate)	RC1-2818-000CN	1
9	Cover, lock, front (upper plate)	RC1-2820-000CN	1
10	Block, guide support (upper plate)	RC1-3102-000CN	1
11	Screw, RS, M3x6	XA9-1495-000CN	

Internal components (1 of 5)

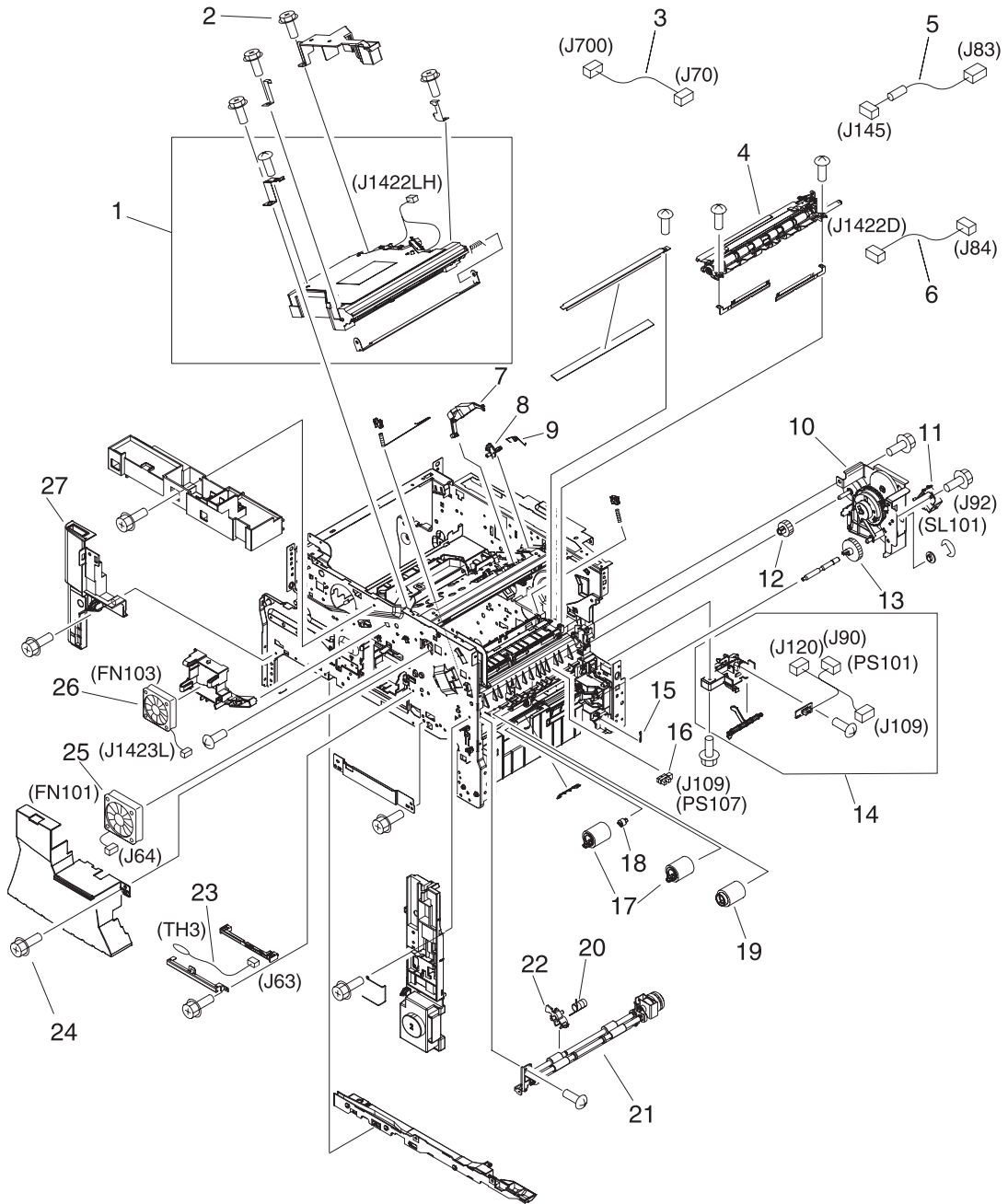


Figure 8-13 Internal components (1 of 5)

Table 8-12 Internal components (1 of 5)

Reference	Description	Part number	Quantity
1	Laser/scanner assembly	RM1-1573-000CN	1
2	Screw, RS, M3x12	XA9-1447-000CN	
3	Cable, image scanner (print engine)	RM1-1398-000CN	1
4	Registration assembly	RM1-0011-060CN	1
5	Cable, laser (print engine)	RM1-1367-000CN	1
6	Cable, beam-detect to scanner (print engine)	RM1-1372-000CN	1
7	Lever, shutter	RC1-3106-000CN	1
8	Flag, shutter	RC1-0378-000CN	1
9	Spring, torsion	RC1-0379-000CN	1
10	Paper-pickup-drive assembly	RM1-0034-070CN	1
11	Solenoid (SL101)	RK2-0269-000CN	1
12	Gear, 18T	RU5-0045-020CN	1
13	Gear, 23T	RU5-0256-000CN	1
14	Guide, paper sensing (PS101)	RM1-1010-000CN	1
15	Spring, tension	RC1-0167-000CN	1
16	Photointerrupter (PS107)	WG8-5624-000CN	1
17	Roller, paper-feed (cassette)	RM1-0037-020CN	2
18	Limiter, torque	RC1-2758-000CN	1
19	Roller, paper-pickup (cassette)	RM1-0036-000CN	1
20	Spring, torsion	RC1-0061-000CN	1
21	Roller, paper-feed assembly	RM1-0012-020CN	1
22	Flag, paper-feed sensor	RC1-0060-000CN	1
23	Thermistor (TH3)	RK2-0359-000CN	1
24	Screw, S, M3x8	XA9-1500-000CN	
25	Fan, main cooling (FN101)	RK2-0278-000CN	1
26	Fan, reversing unit (FN103)	RK2-0280-000CN	1
27	Cover, left-side, front	RC1-3052-000CN	1
not shown	Complete print engine (110 volt)	Q3942-67902	
not shown	Complete print engine (220 volt)	Q3942-67903	

Internal components (2 of 5)

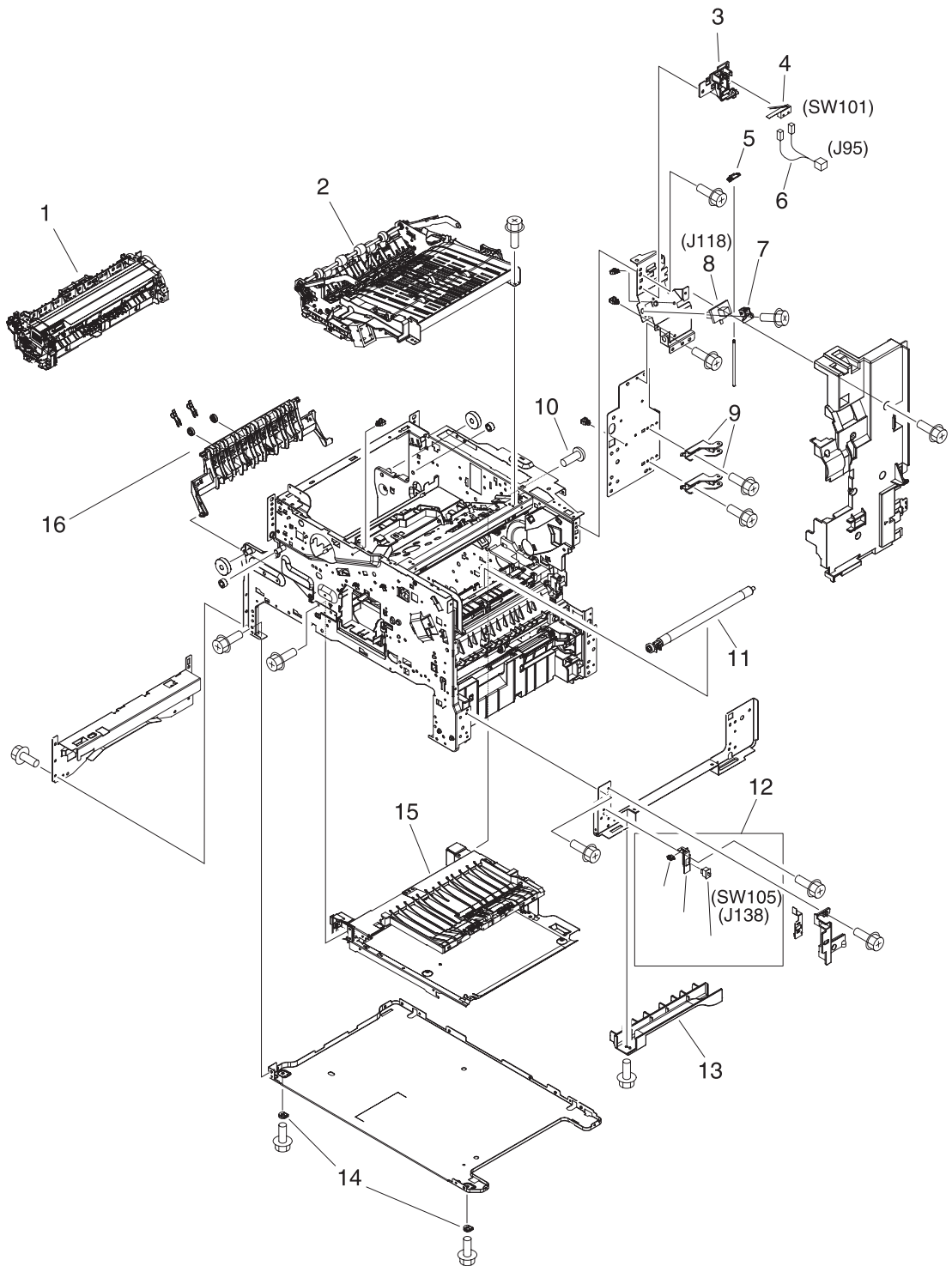


Figure 8-14 Internal components (2 of 5)

Table 8-13 Internal components (2 of 5)

Reference	Description	Part number	Quantity
1	Fuser (100–127 volt)	RM1-1043-000CN	1
1	Fuser (220–240 volt)	RM1-1044-000CN	1
2	Reverse assembly	RM1-1022-000CN	1
3	Holder, door switch	RC1-3063-000CN	1
4	Microswitch (SW101)	WC4-5139-000CN	1
5	Stopper, hinge shaft	RC1-3124-000CN	1
6	Cable, door switch	RM1-1397-000CN	1
7	Case, envelope-feeder connector	RC1-0245-000CN	1
8	Cable, envelope-feeder connector	RM1-1193-000CN	1
9	Hinge, door, right-side	RC1-2901-000CN	2
10	Screw, with washer, M3x6	XB2-7300-607CN	
11	Roller assembly, transfer	RM1-1110-000CN	1
12	Sensor assembly, right door	RM1-1045-000CN	1
13	Cover, handle, lower right	RC1-2881-000CN	1
14	Spacer, screw	RC1-0392-000CN	2
15	Electrical/forward assembly	For reference only	
16	Fuser entrance guide	RM1-1046-000CN	1

Internal components (3 of 5)

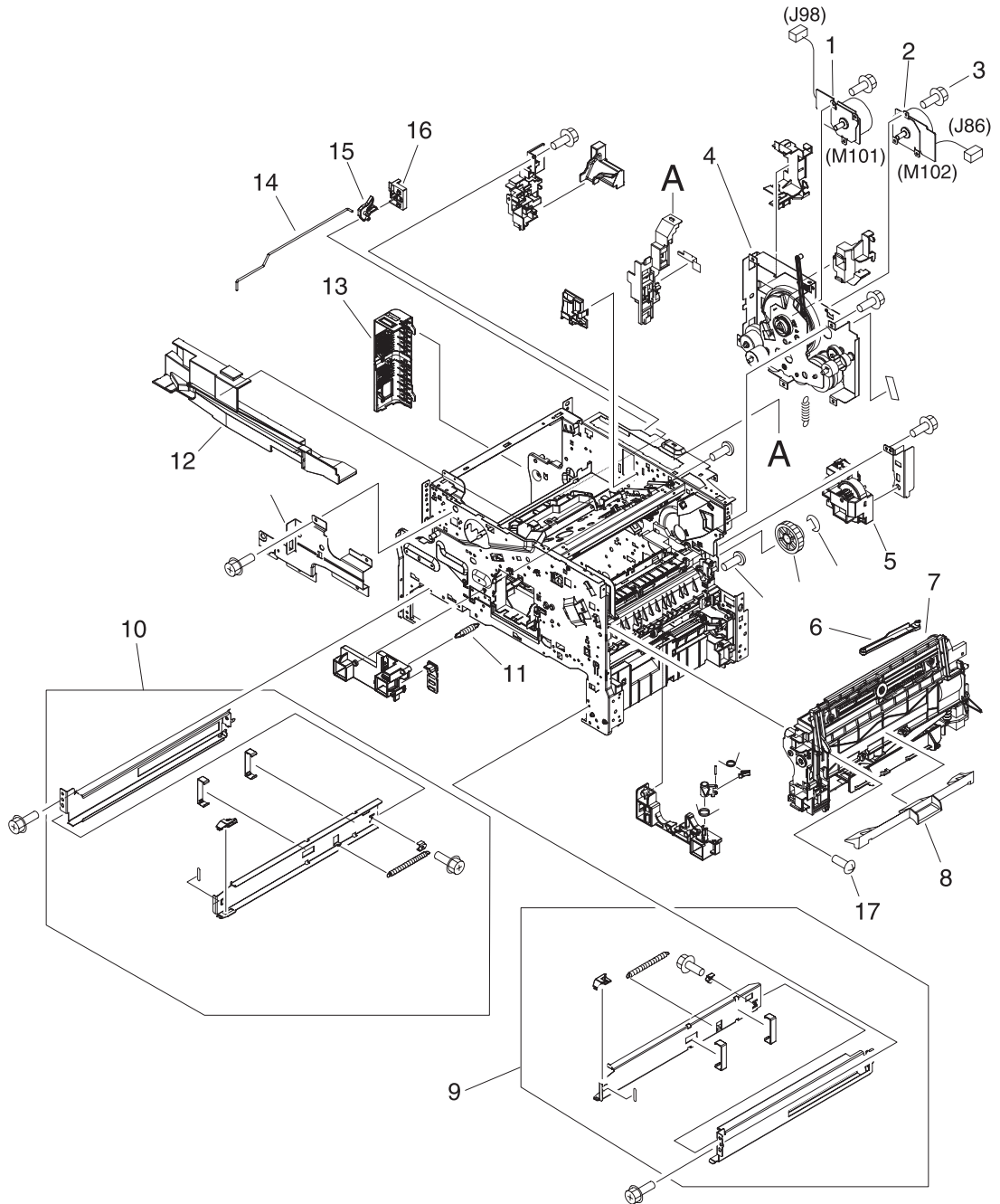


Figure 8-15 Internal components (3 of 5)

Table 8-14 Internal components (3 of 5)

Reference	Description	Part number	Quantity
1	Motor, dc 24-volt, (M101)	RK2-0272-000CN	1
2	Motor, dc 24-volt, (M102)	RK2-0274-000CN	1
3	Screw, tapping, M3x6	XA9-1503-000CN	
4	Main drive assembly	RM1-1049-000CN	1
5	Lifter drive assembly	RM1-1029-000CN	1
6	Rod, link	RC1-2902-000CN	1
7	Multipurpose tray assembly	RM1-1572-000CN	1
8	Cover, envelope-feeder slot	RL1-0455-000CN	1
9	Cassette rail assembly, right	RM1-1012-000CN	1
10	Cassette rail assembly, left	RM1-1011-000CN	1
11	Spring, grounding	RU5-2251-000CN	1
12	Guide, rear	RC1-2884-000CN	1
13	Cover, side, rear	RC1-3042-000CN	1
14	Rod, switch, front	RC1-2980-000CN	1
15	Link, switch	RC1-3003-000CN	1
16	Holder, link	RC1-3002-000CN	1
17	Screw, tapping, truss-head, M4x16	XB4-7401-605CN	

Internal components (4 of 5)

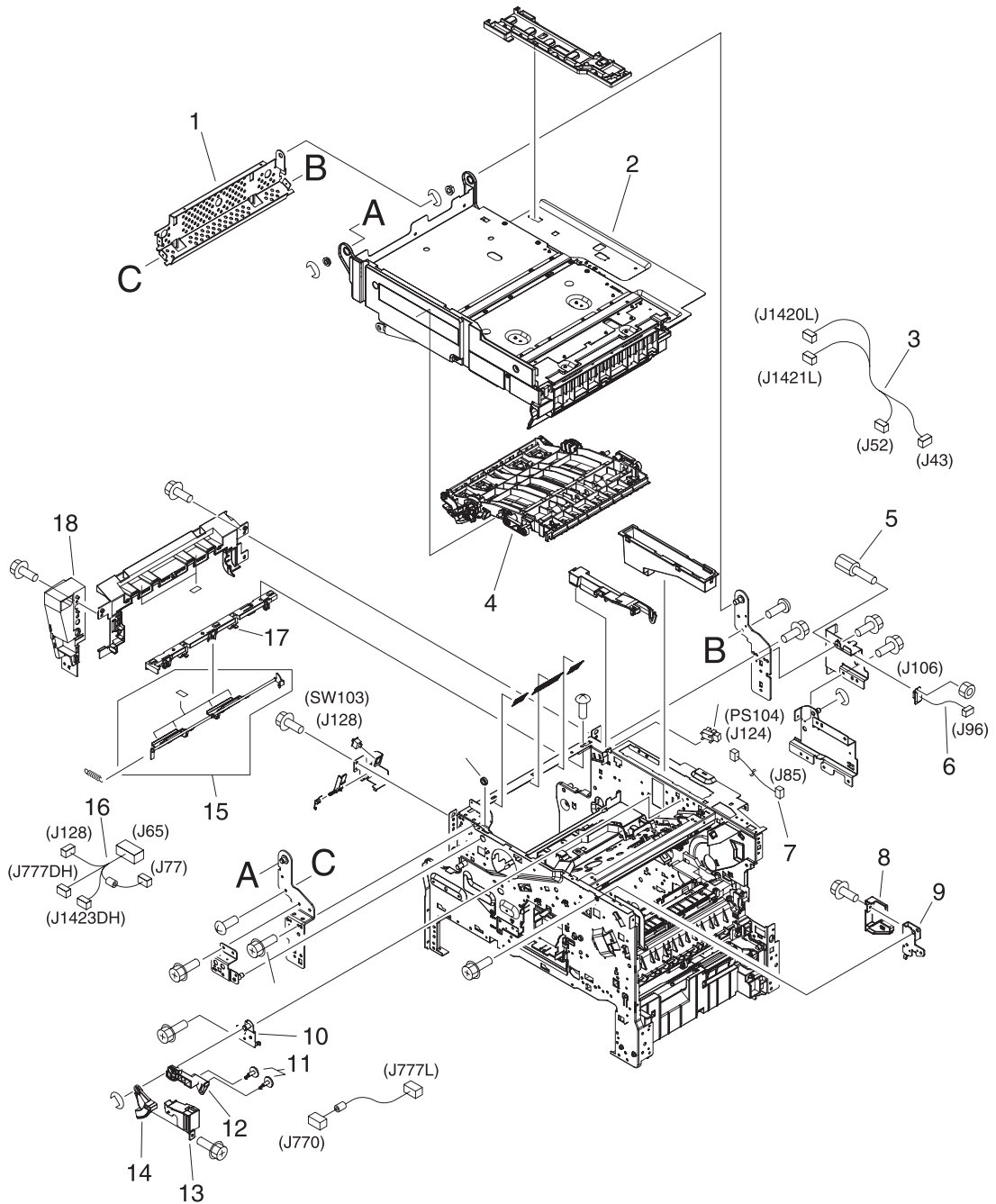


Figure 8-16 Internal components (4 of 5)

Table 8-15 Internal components (4 of 5)

Reference	Description	Part number	Quantity
1	Cross-member, support	RC1-2911-000CN	1
2	Upper plate assembly	For reference only	
3	Cable, reverse unit	RM1-1380-000CN	1
4	Reverse-separation guide assembly	RM1-1019-000CN	1
5	Bolt, hex-head	WS9-0255-000CN	2
6	Cable, output device connection	RM1-1371-000CN	1
7	Cable, output-bin full sensor	RM1-1368-000CN	1
8	Cover, front stopper	RC1-2823-000CN	1
9	Stopper, front lock	RL1-0434-000CN	1
10	Support, gas damper	RL1-0436-000CN	1
11	Stopper, bushing arm	RC1-3090-000CN	1
12	Arm, door, 1 (top cover)	RC1-2827-000CN	1
13	Cover, door arm (top cover)	RC1-2833-000CN	1
14	Arm, door, 2 (top cover)	RC1-2828-000CN	1
15	Flag, full-detect (output bin)	RC1-2863-000CN	1
16	Cable, control panel	RM1-1381-000CN	1
17	Holder, output-device-full sensor flag	RC1-2864-000CN	1
18	Cover, inner front	RC1-3041-000CN	1

Internal components (5 of 5)

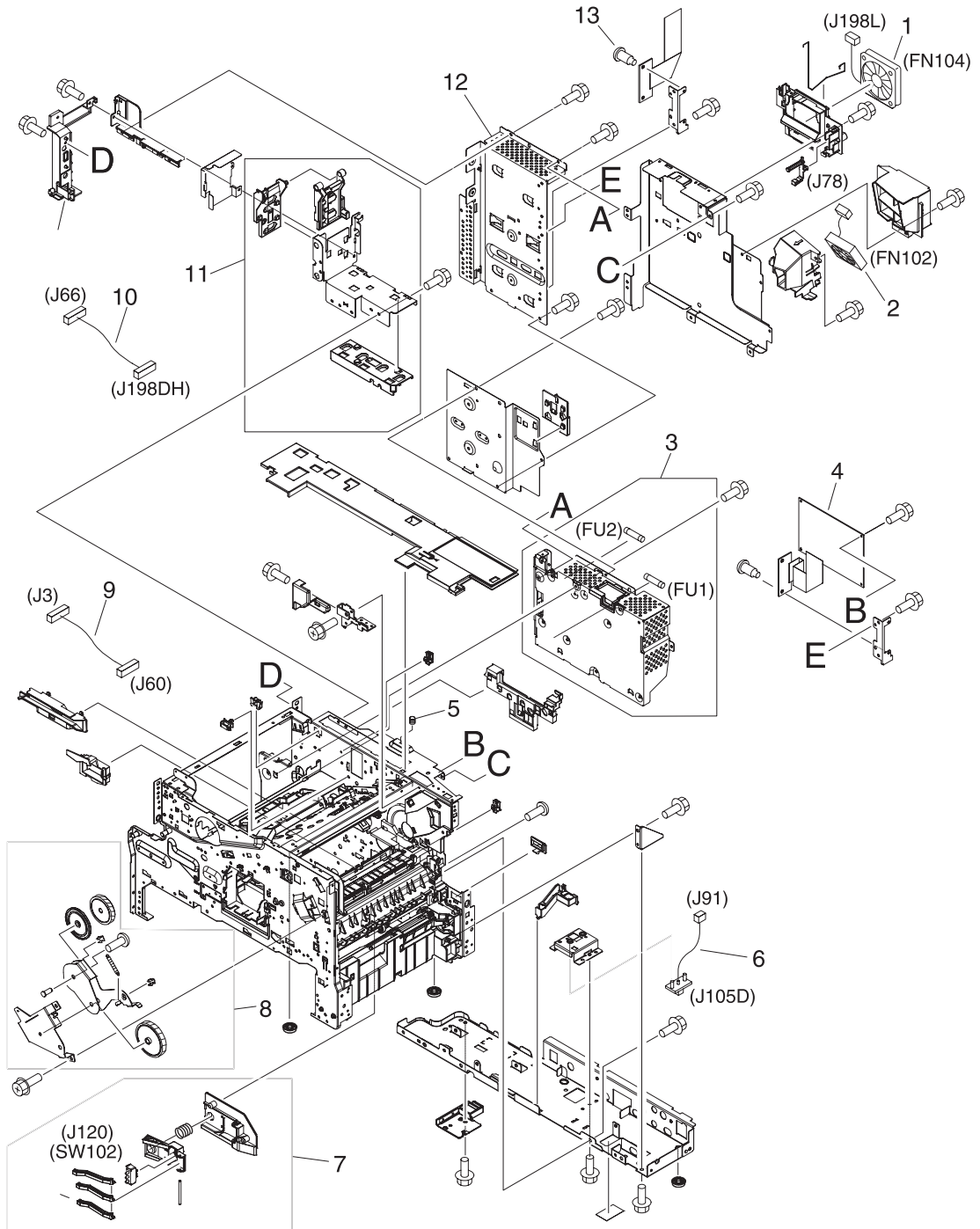


Figure 8-17 Internal components (5 of 5)

Table 8-16 Internal components (5 of 5)

Reference	Description	Part number	Quantity
1	Fan, dc controller (FN104)	RK2-0472-000CN	1
2	Fan, print cartridge (FN102)	RK2-0280-000CN	1
3	Power supply, PFC (100–127 volt)	RM1-1013-000CN	1
3	Power supply, PFC (220–240 volt)	RM1-1014-000CN	1
4	DC controller PCA	RM1-1354-000CN	1
5	Spring, compression	RU5-2265-000CN	1
6	Cable, optional 500-sheet feeder connection	RM1-1370-000CN	1
7	Sensor assembly, paper size (SW102)	RM1-0041-020CN	1
8	Swing-plate assembly	RM1-0043-020CN	1
9	Cable, power	RM1-1375-000CN	1
10	Cable, fan docking (for dc-controller fan)	RM1-1376-000CN	1
11	Guide assembly, flat-flexible cable	RM1-1027-000CN	1
12	Formatter assembly	Q3942–67901	1
13	Screw, stepped, M3	RC1-0266-020CN	

Electrical/forward assembly

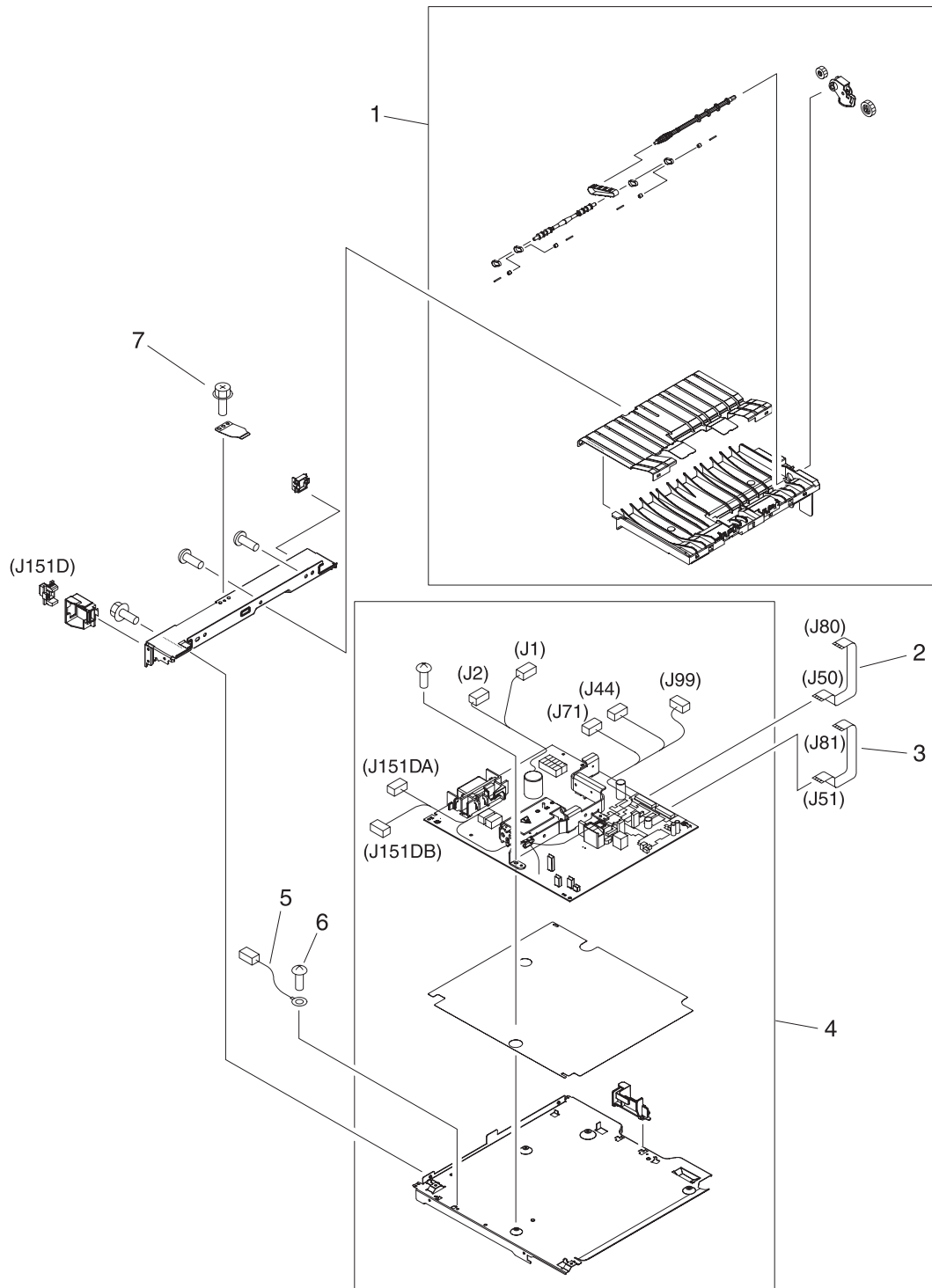


Figure 8-18 Electrical/forward assembly

Table 8-17 Electrical/forward assembly

Reference	Description	Part number	Quantity
1	Paper-feed assembly	RM1-0025-040CN	1
2	Cable, flat-flexible (engine power supply)	RK2-0470-000CN	1
3	Cable, flat-flexible (engine power supply)	RK2-0469-000CN	1
4	Engine power supply assembly (100–127 volt)	RM1-1041-000CN	1
4	Engine power supply assembly (220–240 volt)	RM1-1042-000CN	1
5	Cable, duplexing-unit grounding	RM1-1400-000CN	1
6	Screw, with washer, M3x6	XA9-1420-000CN	
7	Screw, flathead, RS, M3x6	XA9-1464-000CN	

Main drive assembly

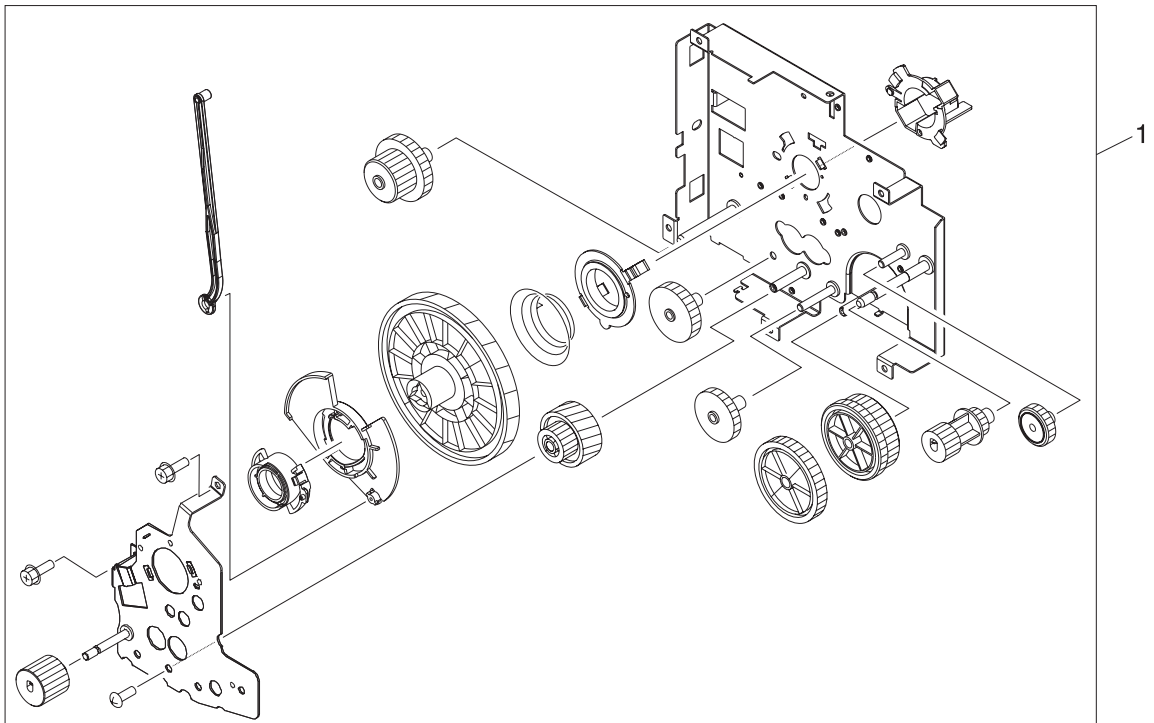


Figure 8-19 Main drive assembly

Table 8-18 Main drive assembly

Reference	Description	Part number	Quantity
1	Main drive assembly	RM1-1049-000CN	1

Paper-pickup-drive assembly

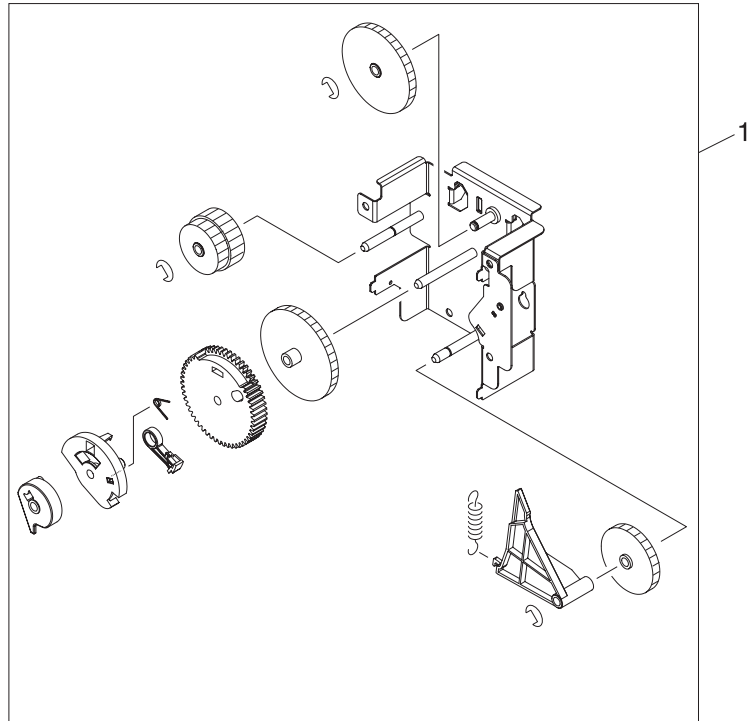


Figure 8-20 Paper-pickup-drive assembly

Table 8-19 Paper-pickup-drive assembly

Reference	Description	Part number	Quantity
1	Paper-pickup-drive assembly	RM1-0034-070CN	1

Lifter-drive assembly

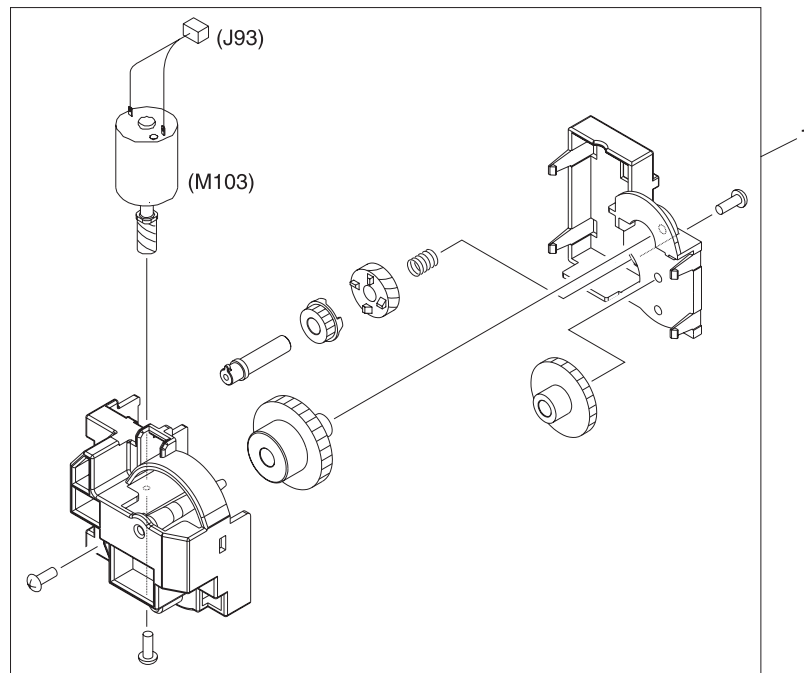


Figure 8-21 Lifter-drive assembly

Table 8-20 Lifter-drive assembly

Reference	Description	Part number	Quantity
1	Lifter-drive assembly	RM1-1029-000CN	1

Cassette

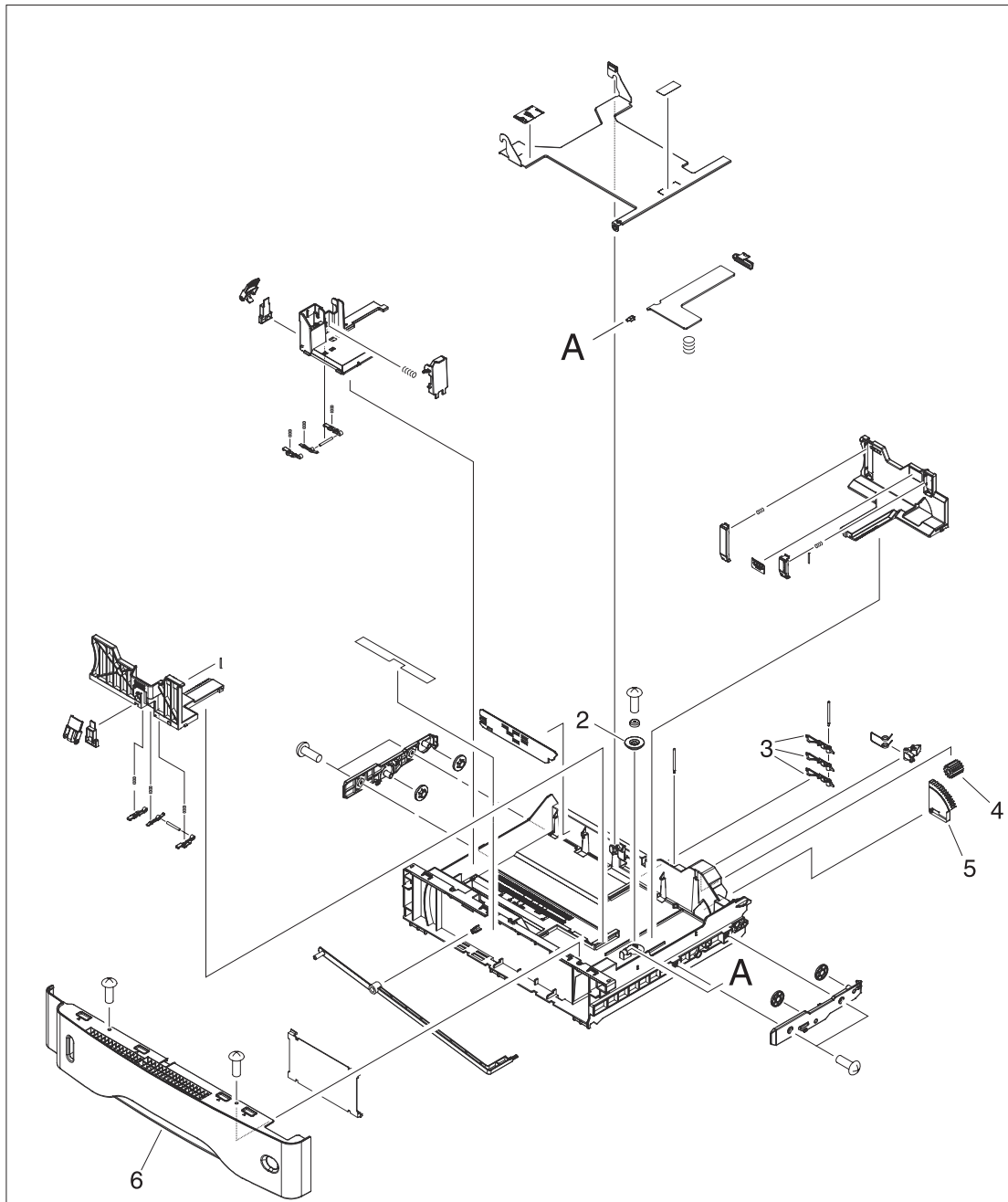


Figure 8-22 Cassette

Table 8-21 Cassette

Reference	Description	Part number	Quantity
1	Cassette (tray 2, 3, 4 or 5)	RM1-1001-000CN	1
2	Gear, 20T (cassette)	RC1-0331-000CN	1
3	Lever, paper-size-sensing (cassette)	RC1-2782-000CN	3
4	Gear, 14T (cassette)	RU5-0254-000CN	1
5	Gear, 80T (cassette)	RU5-0253-000CN	1
6	Guide, cassette, front	RC1-3020-000CN	1

Paper-feed roller assembly

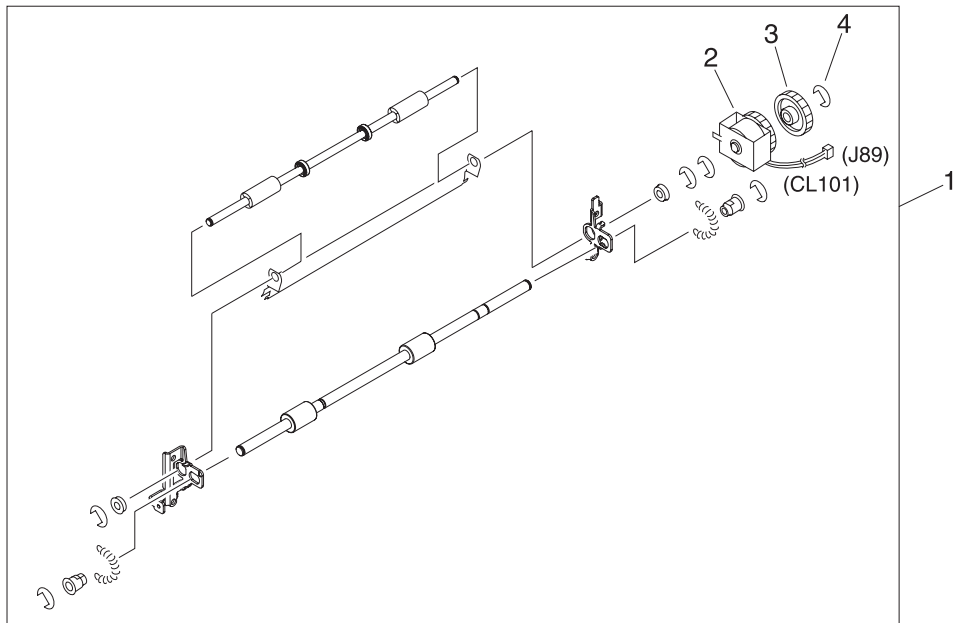


Figure 8-23 Paper-feed roller assembly

Table 8-22 Paper-feed roller assembly

Reference	Description	Part number	Quantity
1	Paper-feed roller assembly	RM1-0012-020CN	1
2	Clutch, paper feed, electromagnetic (CL101)	RK2-0349-000CN	1
3	Gear, 30T (paper-feed roller assembly)	RU5-0050-000CN	1
4	E-ring (paper-feed roller assembly)	XD9-0132-020CN	1

Registration assembly

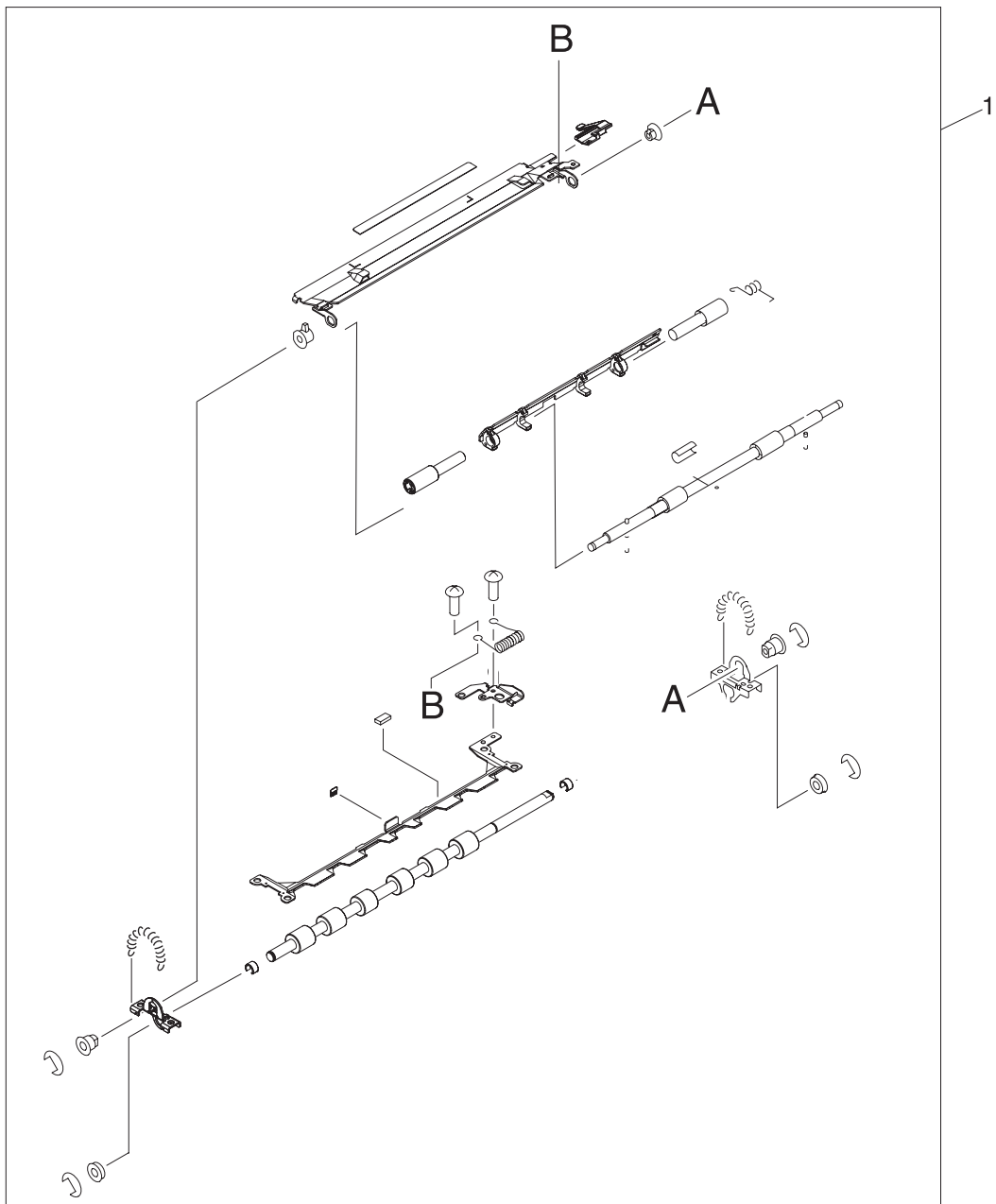


Figure 8-24 Registration assembly

Table 8-23 Registration assembly

Reference	Description	Part number	Quantity
1	Registration assembly	RM1-0011-060CN	1

Multipurpose assembly

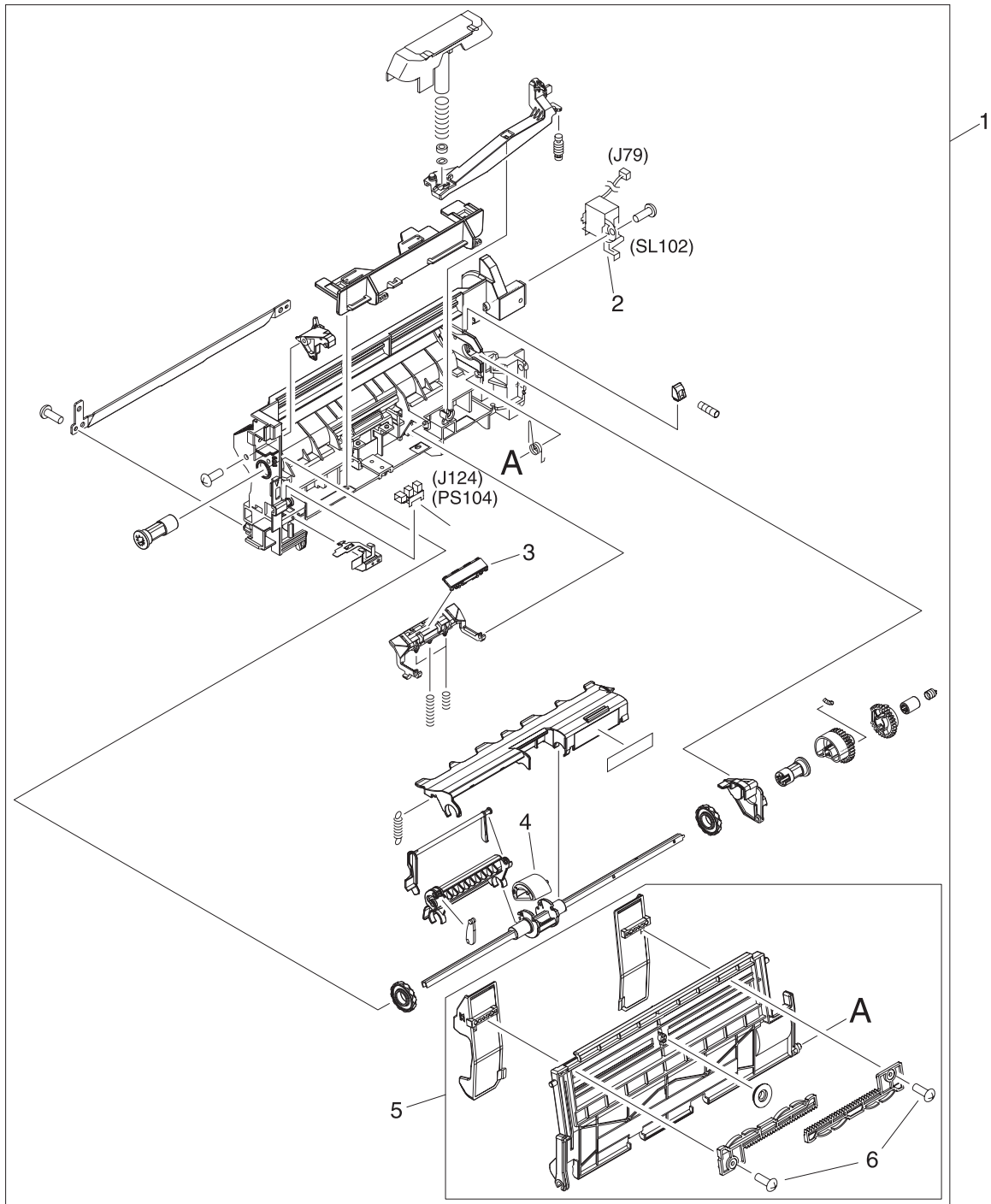


Figure 8-25 Multipurpose assembly

Table 8-24 Multipurpose assembly

Reference	Description	Part number	Quantity
1	Multipurpose assembly	RM1-1572-000CN	1
2	Solenoid, multipurpose assembly (SL102)	RK2-0276-000CN	1
3	Plate, main pad support (multipurpose assembly)	RL1-0007-000CN	1
4	Roller, pickup, multipurpose assembly	RL1-0019-000CN	1
5	Multipurpose tray assembly	RM1-0005-020CN	1
6	Screw, tapping, truss-head, M3x8	XB4-7300-809CN	

Reverse assembly

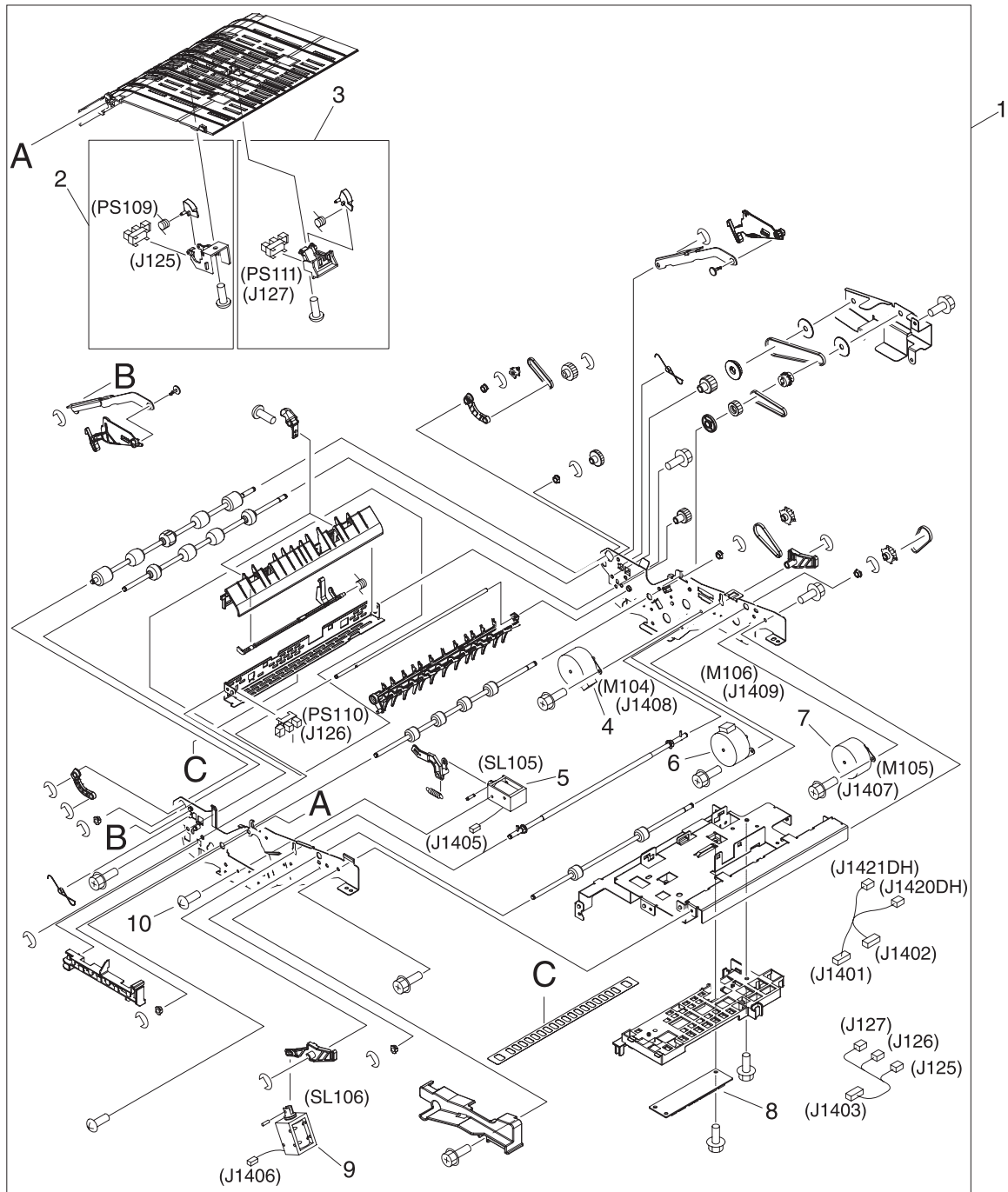


Figure 8-26 Reverse assembly

Table 8-25 Reverse assembly

Reference	Description	Part number	Quantity
1	Reverse assembly	RM1-1022-000CN	1
2	Sensor, reverse-unit (PS109)	RM1-1570-000CN	1
3	Sensor, reverse-unit jam (PS111)	RM1-1571-000CN	1
4	Motor, crossing, (stepping) (M104)	RK2-0473-000CN	1
5	Solenoid, reverse-unit (SL105)	RK2-0485-000CN	1
6	Motor, delivery (stepping) (M106)	RK2-0475-000CN	1
7	Motor, reverse-unit (stepping) (M105)	RK2-0474-000CN	1
8	Reverse-unit PCA	RM1-1379-000CN	1
9	Solenoid, reversing-roller separation (SL106)	RK2-0486-000CN	1
10	Screw, TP, M3x4	XB6-7300-406CN	

Reverse-separation-guide assembly

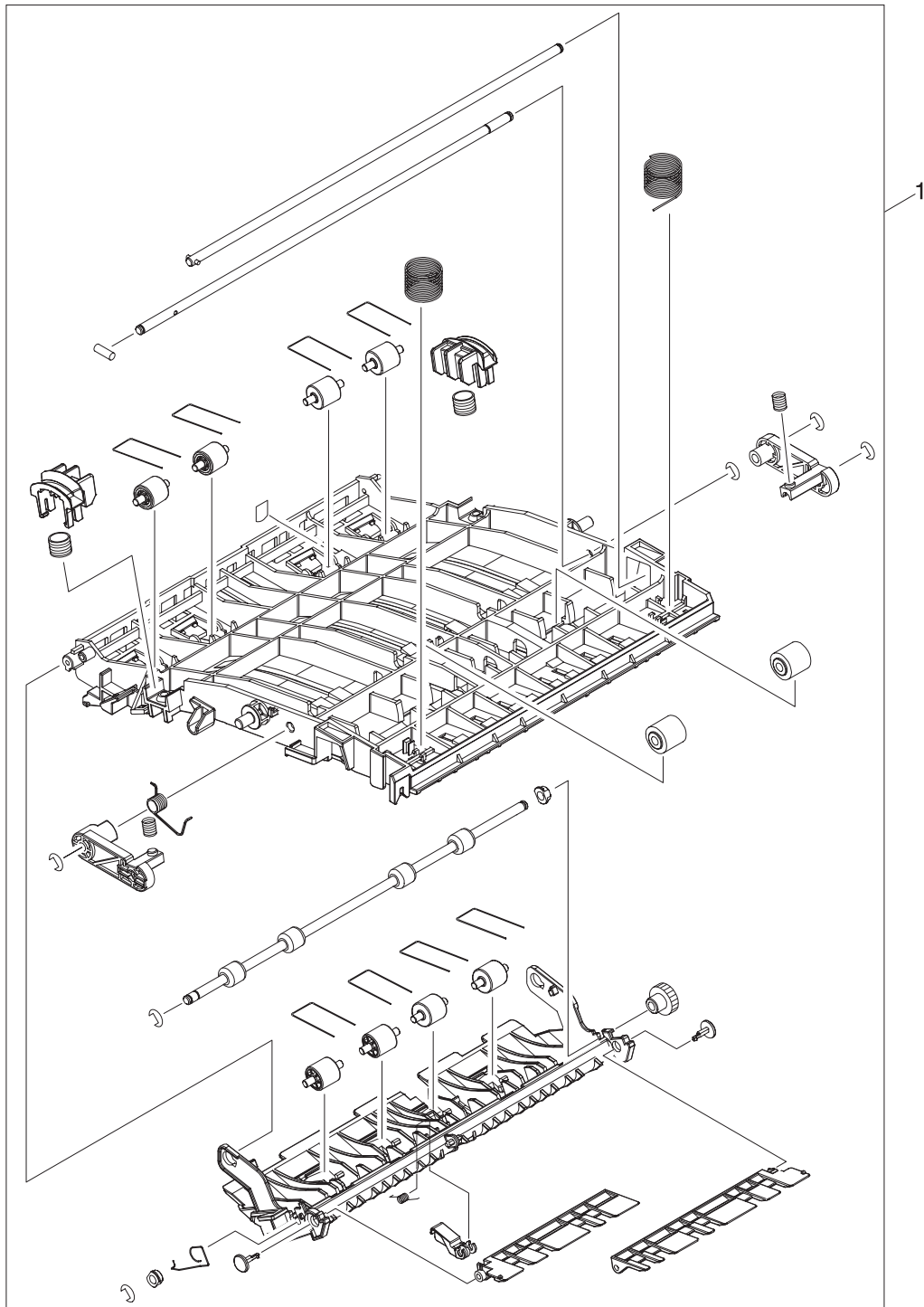


Figure 8-27 Reverse-separation-guide assembly

Table 8-26 Reverse-separation-guide assembly

Reference	Description	Part number	Quantity
1	Reverse-separation-guide assembly	RM1-1019-000CN	1

Delivery assembly

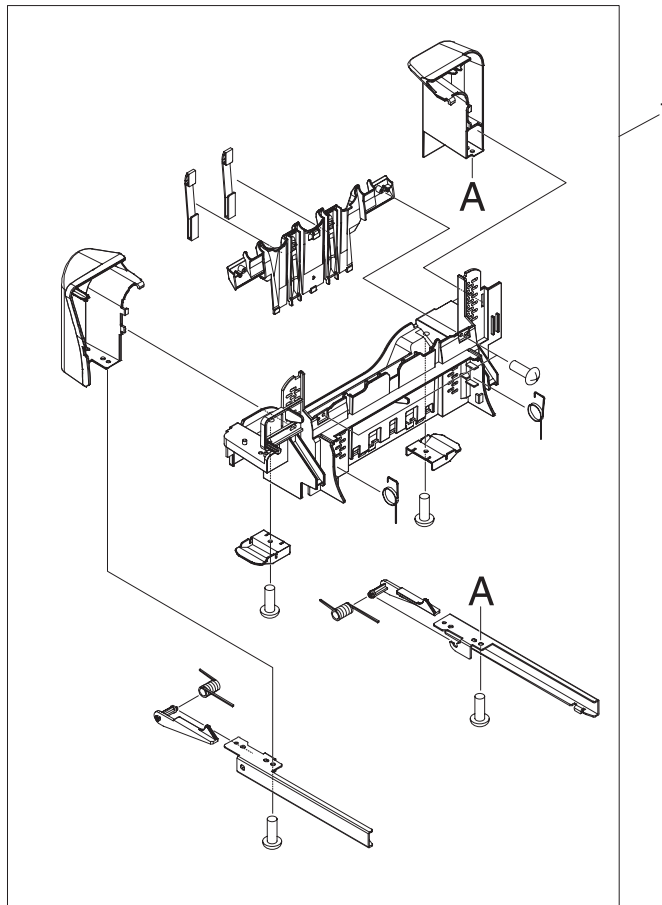


Figure 8-28 Delivery assembly

Table 8-27 Delivery assembly

Reference	Description	Part number	Quantity
1	Delivery assembly	RM1-1047-000CN	1

Fuser

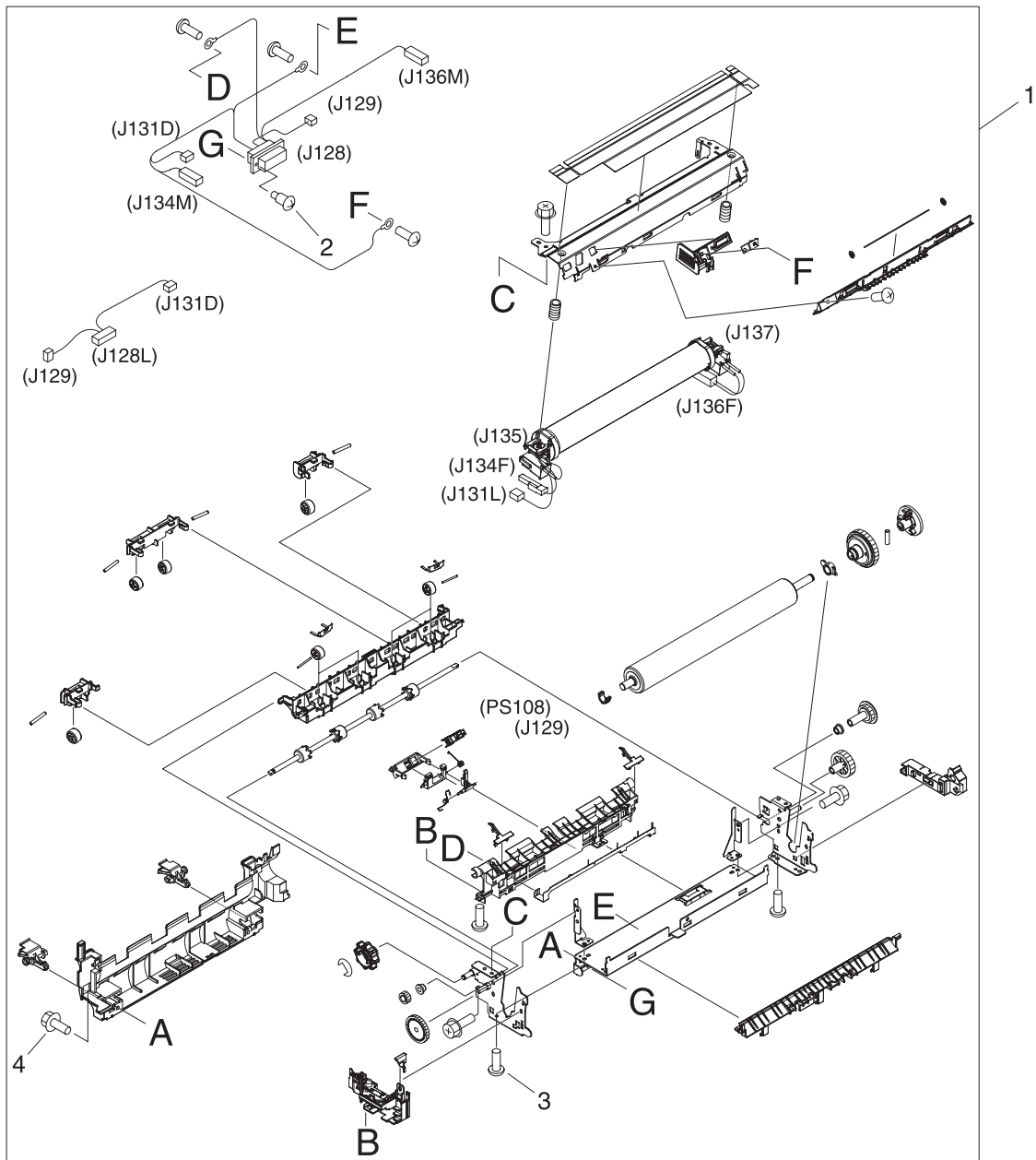


Figure 8-29 Fuser

Table 8-28 Fuser

Reference	Description	Part number	Quantity
1	Fuser (100–127 volt)	RM1-1043-000CN	1
1	Fuser (220–240 volt)	RM1-1044-000CN	1
2	Screw, stepped	RS1-9004-020CN	
3	Screw, M3x8	XA9-0650-000CN	
4	Screw, RS, M3x8	XA9-1449-000CN	

ADF components

ADF assembly

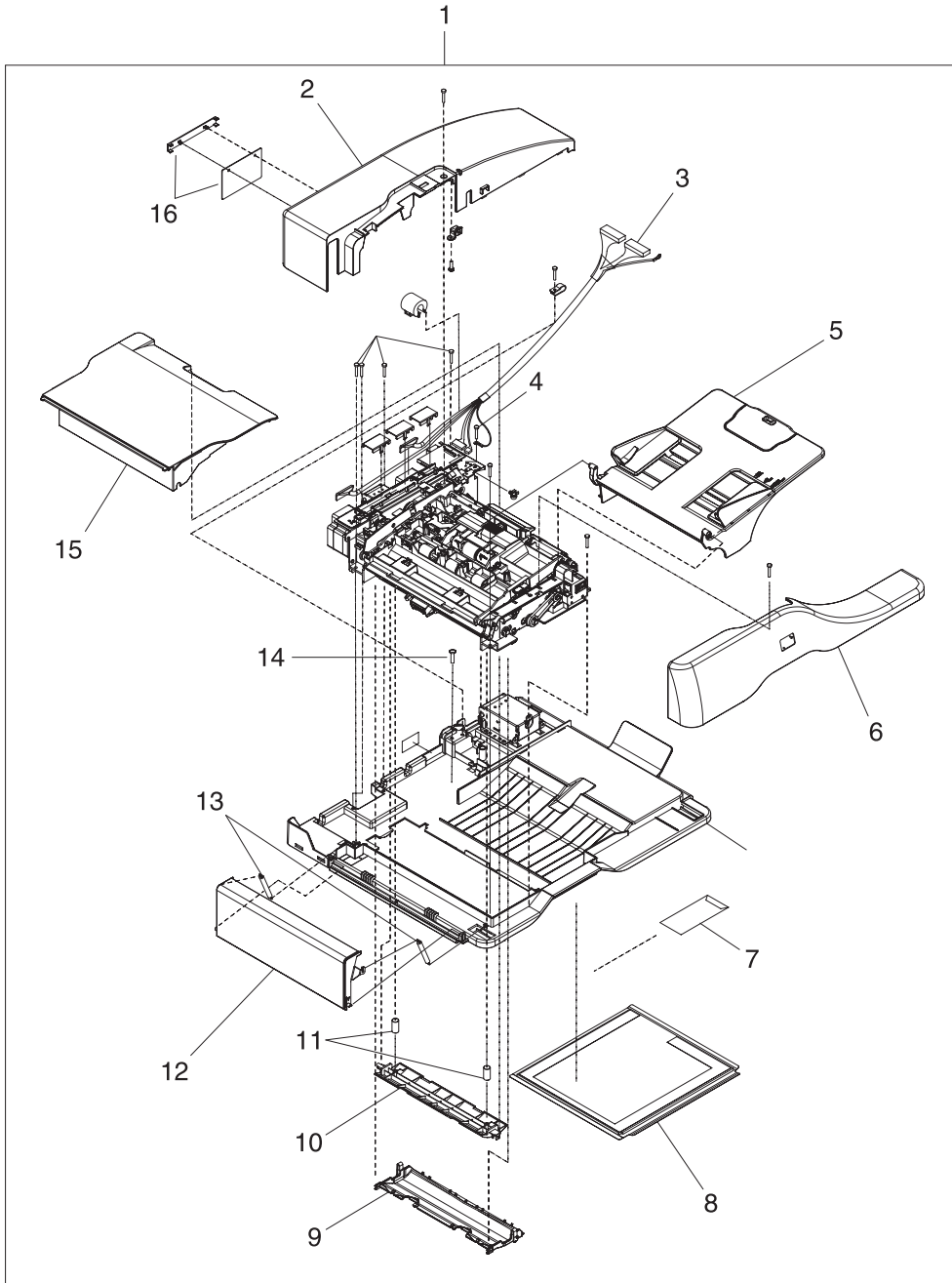


Figure 8-30 ADF assembly

Table 8-29 ADF assembly

Reference	Description	Part number	Quantity
1	ADF assembly	PF2282K006NI	1
2	ADF rear cover	PF2282P044NI	1
3	ADF cable	PF2282K165NI	1
4	Screw, ADF	030080FWWSNI	
5	ADF input tray	PF2282K042NI	1
6	ADF front cover	PF2282P059NI	1
7	ADF mylar replacement kit	Q6496-67901	1
8	ADF white scan background	PF2282P339NI	1
9	ADF mylar holder assembly	PF2282K043NI	1
10	ADF white mylar backing	PF2282P025NI	1
11	ADF, springs for white mylar backing	PF2282P343NI	2
12	ADF left cover	PF2282P058NI	1
13	ADF, springs for left cover	PF2282P352NI	2
14	Screw, ADF, wave 4x10	PF2245P369NI	
15	ADF jam-access cover	PF2282P041NI	1
16	ADF hinge flaps (ESD)	PF2282K166NI	1

ADF internal components (1 of 3)

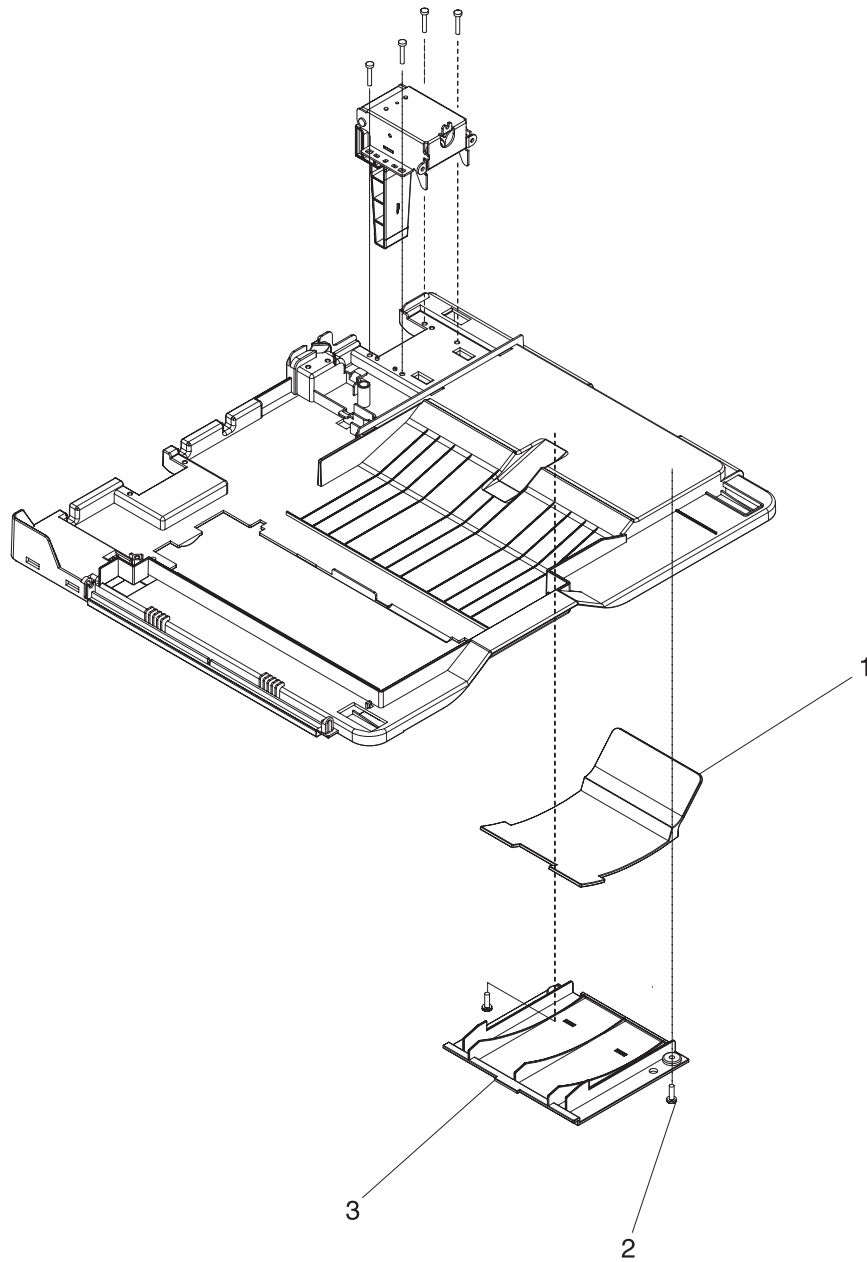


Figure 8-31 ADF internal components (1 of 3)

Table 8-30 ADF internal components (1 of 3)

Reference	Description	Part number	Quantity
1	ADF output-bin paper stop	PF2282P061NI	1
2	Screw, ADF	NS-SCR00029NI	
3	ADF output-bin-base cover	PF2282P060NI	1

ADF internal components (2 of 3)

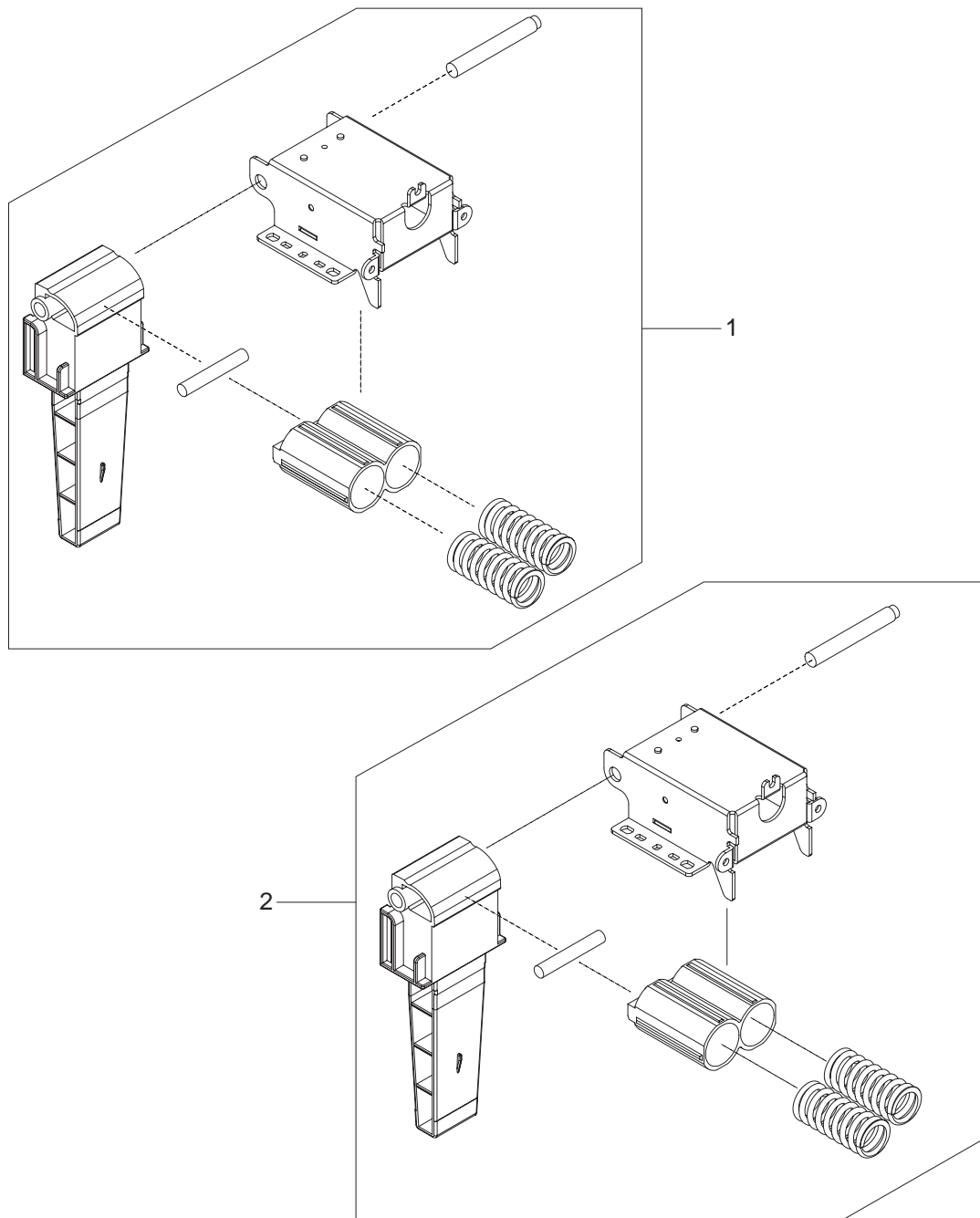


Figure 8-32 ADF internal components (2 of 3)

Table 8-31 ADF internal components (2 of 3)

Reference	Description	Part number	Quantity
1	ADF hinge, left	PF2282K041NI	1
2	ADF hinge, right	PF2282K008NI	1

ADF internal components (3 of 3)

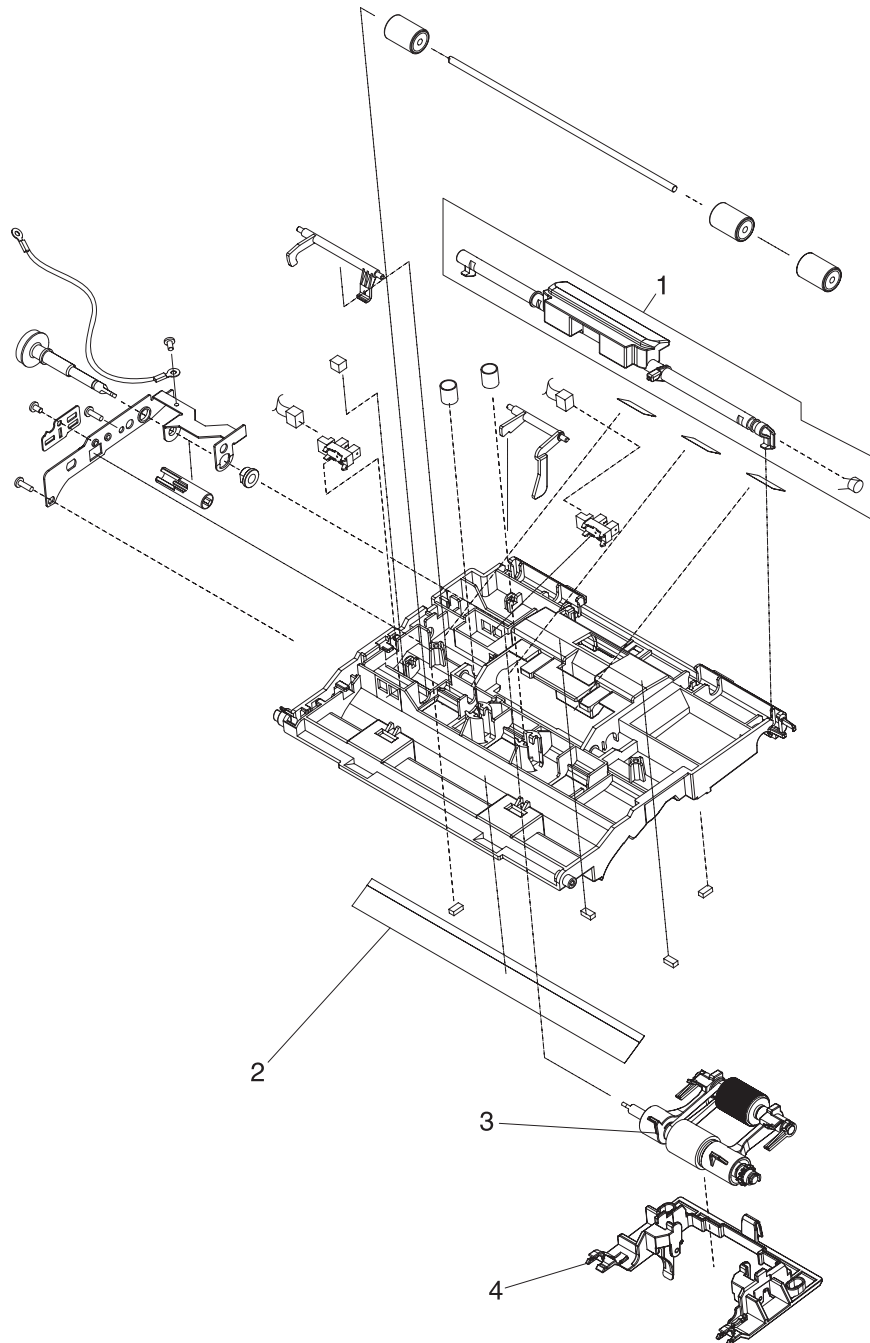


Figure 8-33 ADF internal components (3 of 3)

Table 8-32 ADF internal components (3 of 3)

Reference	Description	Part number	Quantity
1	ADF jam-access latch	PF2282K164NI	1
2	ADF clear plastic paper guide	PF2282P353NI	1
3	ADF pickup-roller assembly	PF2282K039NI	1
4	ADF pickup-roller cover	PF2282K040NI	1

ADF input tray

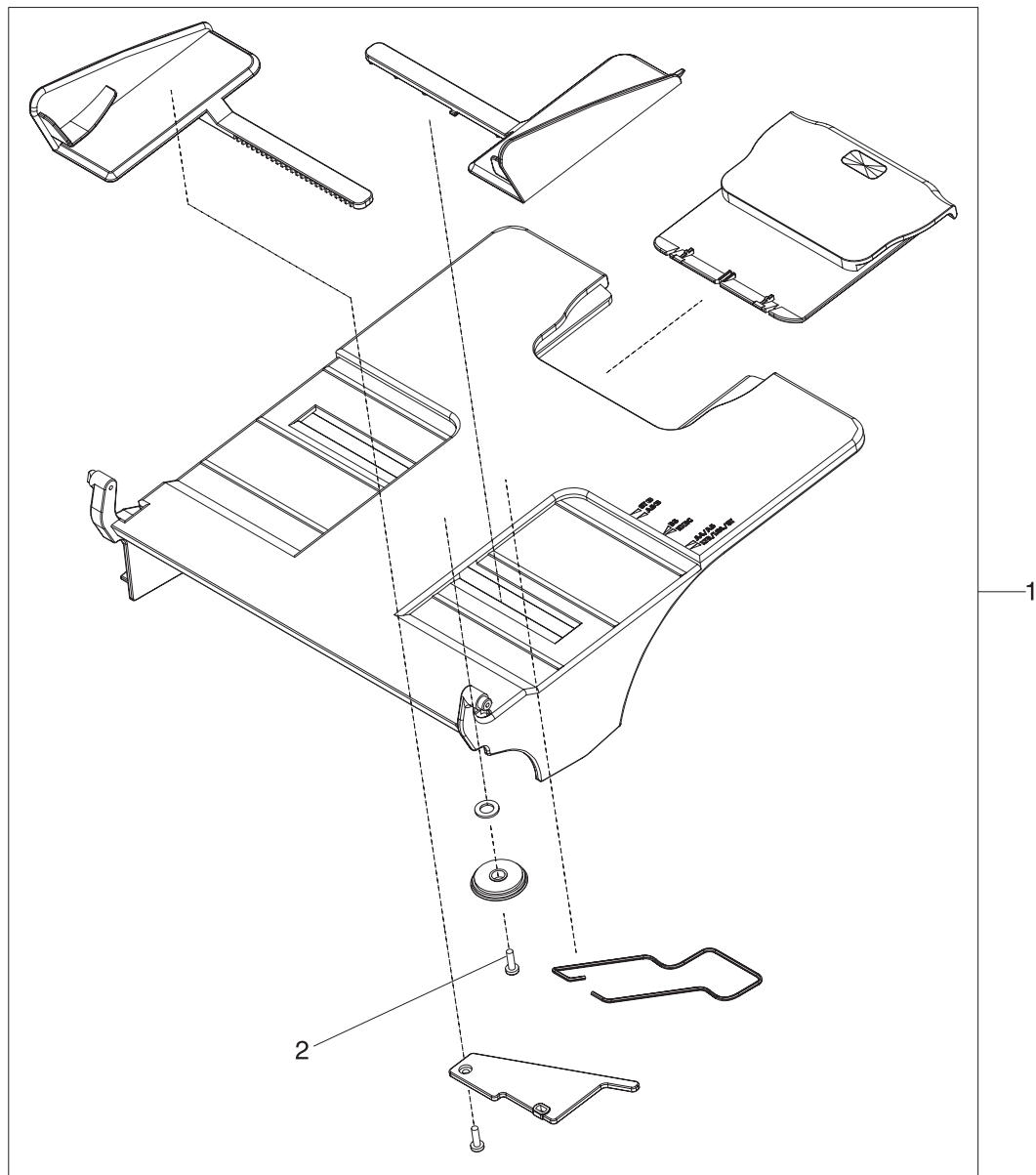


Figure 8-34 ADF input tray

Table 8-33 ADF input tray

Reference	Description	Part number	Quantity
1	ADF input tray	PF2282K042NI	1
2	Screw, ADF, button, M3x8	IR4041P021NI	

ADF separation pad

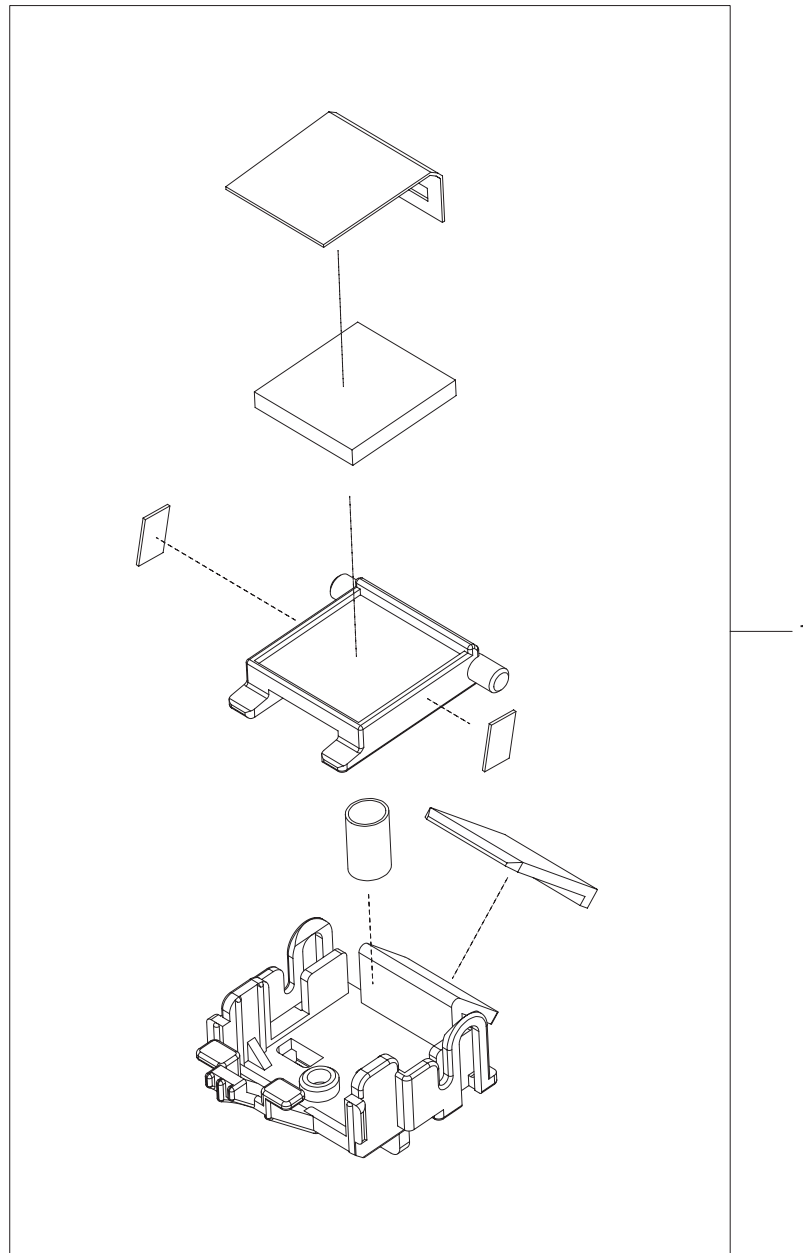


Figure 8-35 ADF separation pad

Table 8-34 ADF separation pad

Reference	Description	Part number	Quantity
1	ADF separation-pad assembly	PF2282K035NI	1

ADF separation-pad case

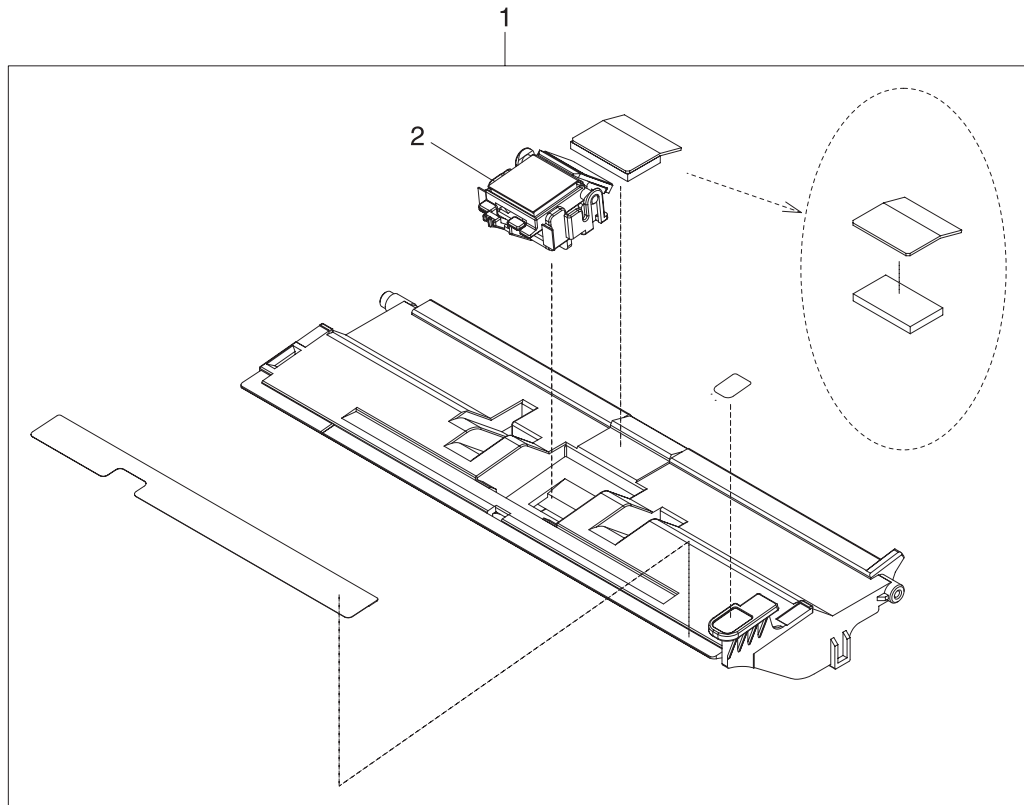


Figure 8-36 ADF separation-pad case

Table 8-35 ADF separation-pad case

Reference	Description	Part number	Quantity
1	ADF separation-pad case	PF2282K034NI	1
2	ADF separation pad	PF2282K035NI	1

ADF pickup-roller assembly

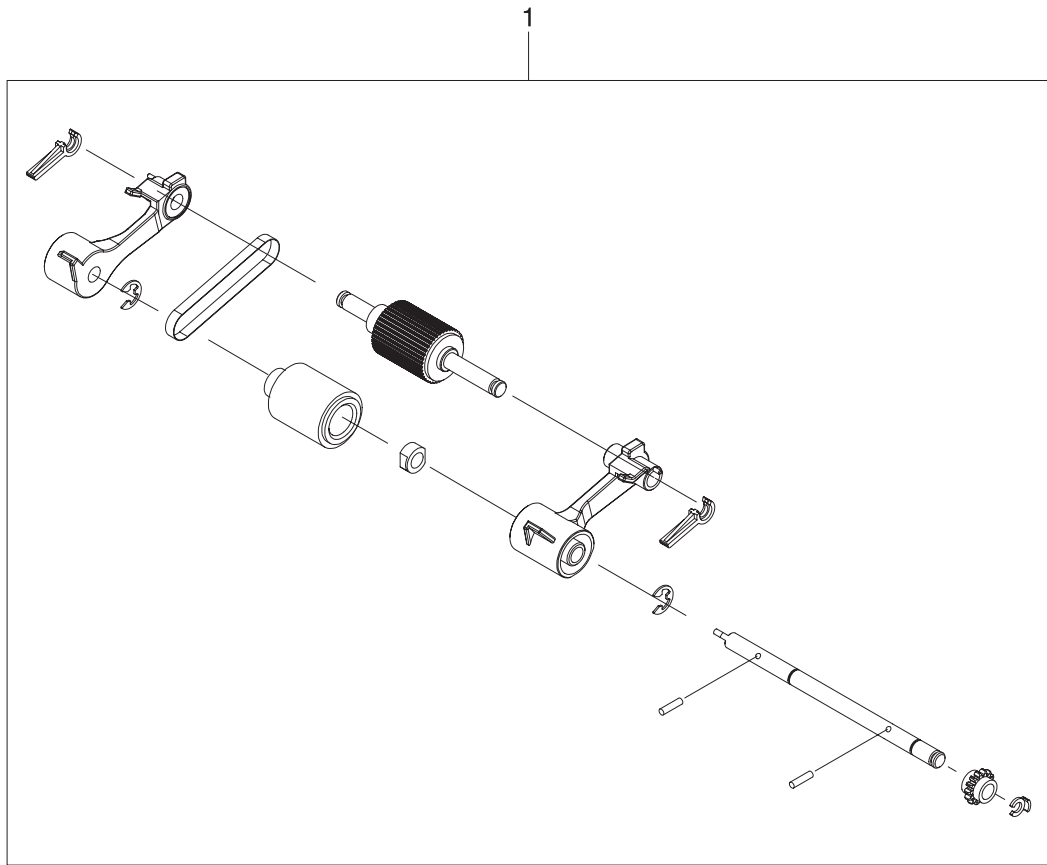


Figure 8-37 ADF pickup-roller assembly

Table 8-36 ADF pickup-roller assembly

Reference	Description	Part number	Quantity
1	ADF pickup-roller assembly	PF2282K039NI	1

ADF pickup-roller cover

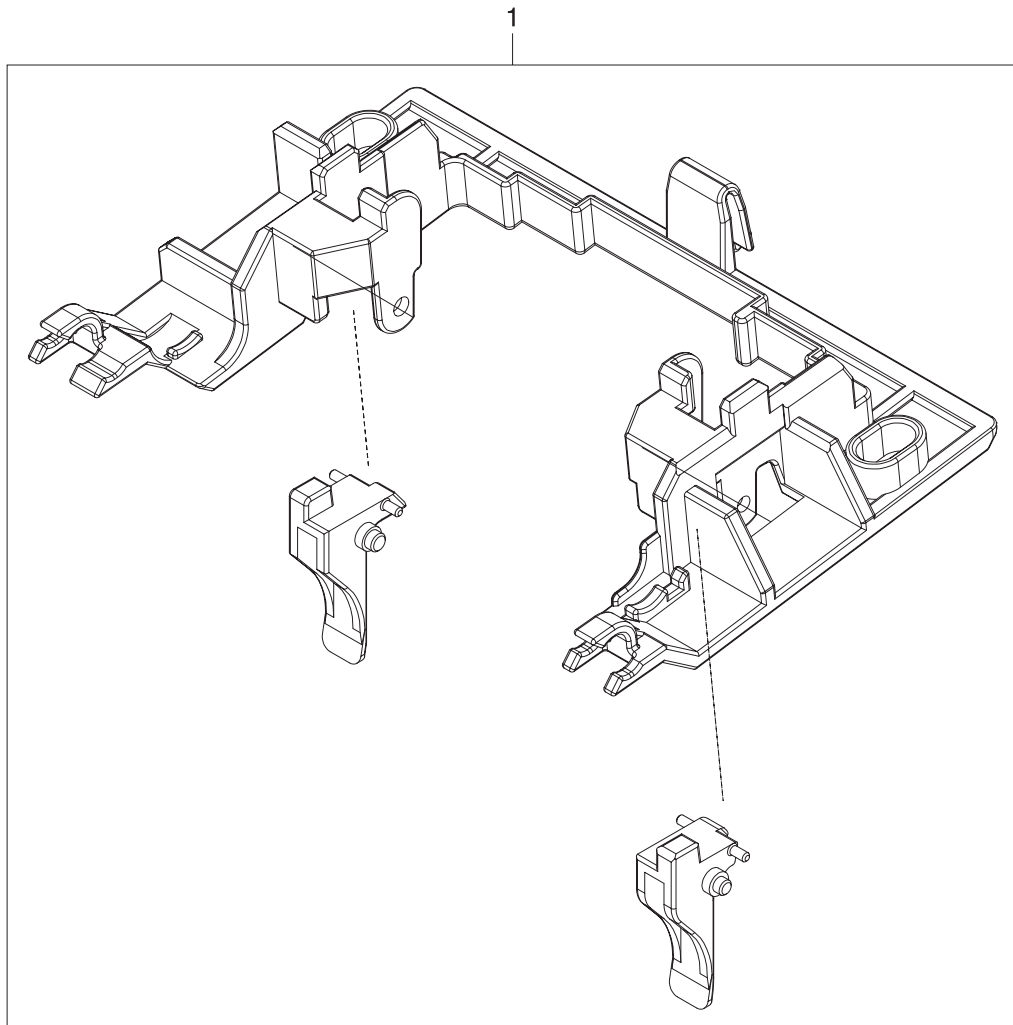


Figure 8-38 ADF pickup-roller cover

Table 8-37 ADF pickup-roller cover

Reference	Description	Part number	Quantity
1	ADF pickup-roller cover	PF2282K040NI	1

ADF mylar-holder assembly

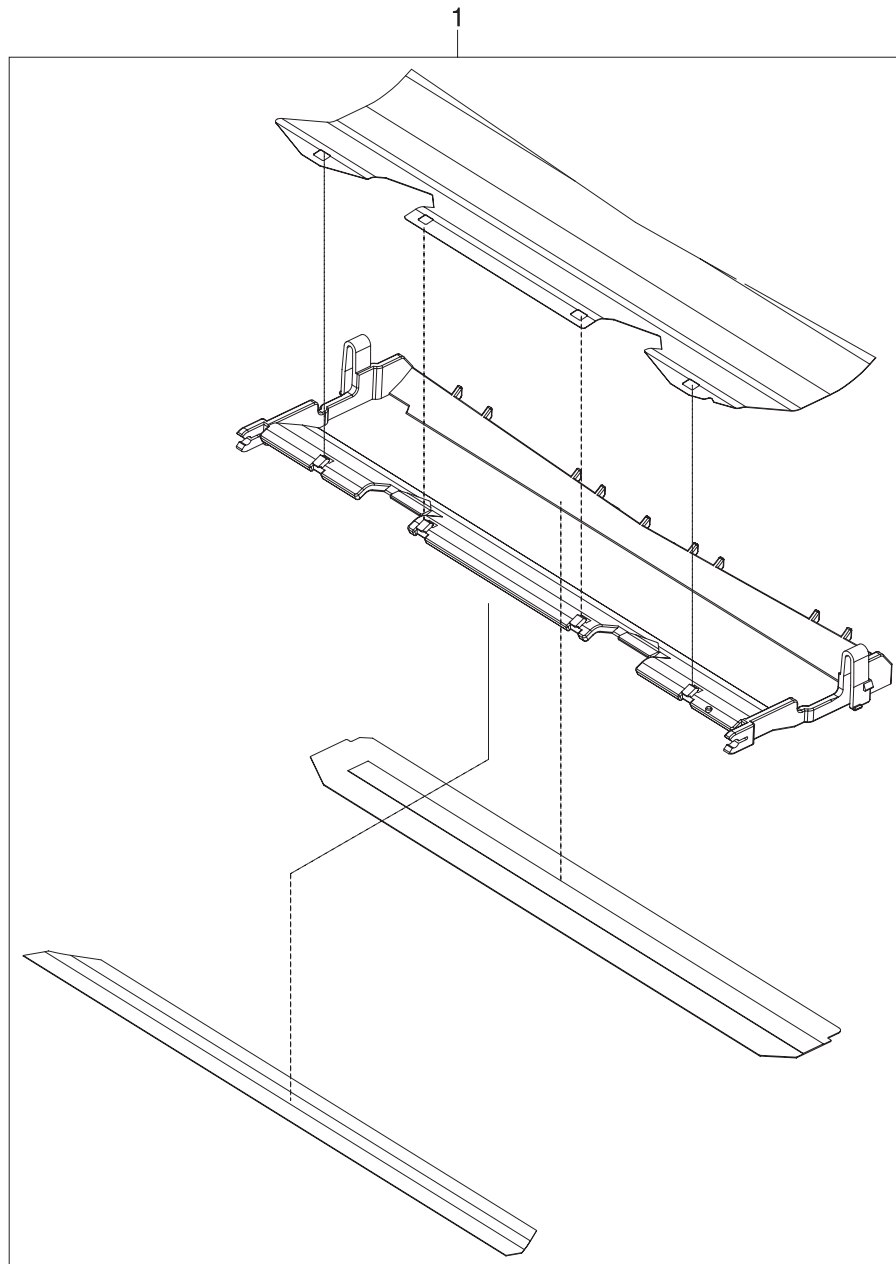


Figure 8-39 ADF mylar-holder assembly

Table 8-38 ADF mylar-holder assembly

Reference	Description	Part number	Quantity
1	ADF mylar-holder assembly	PF2282K043NI	1

ADF mylar replacement kit

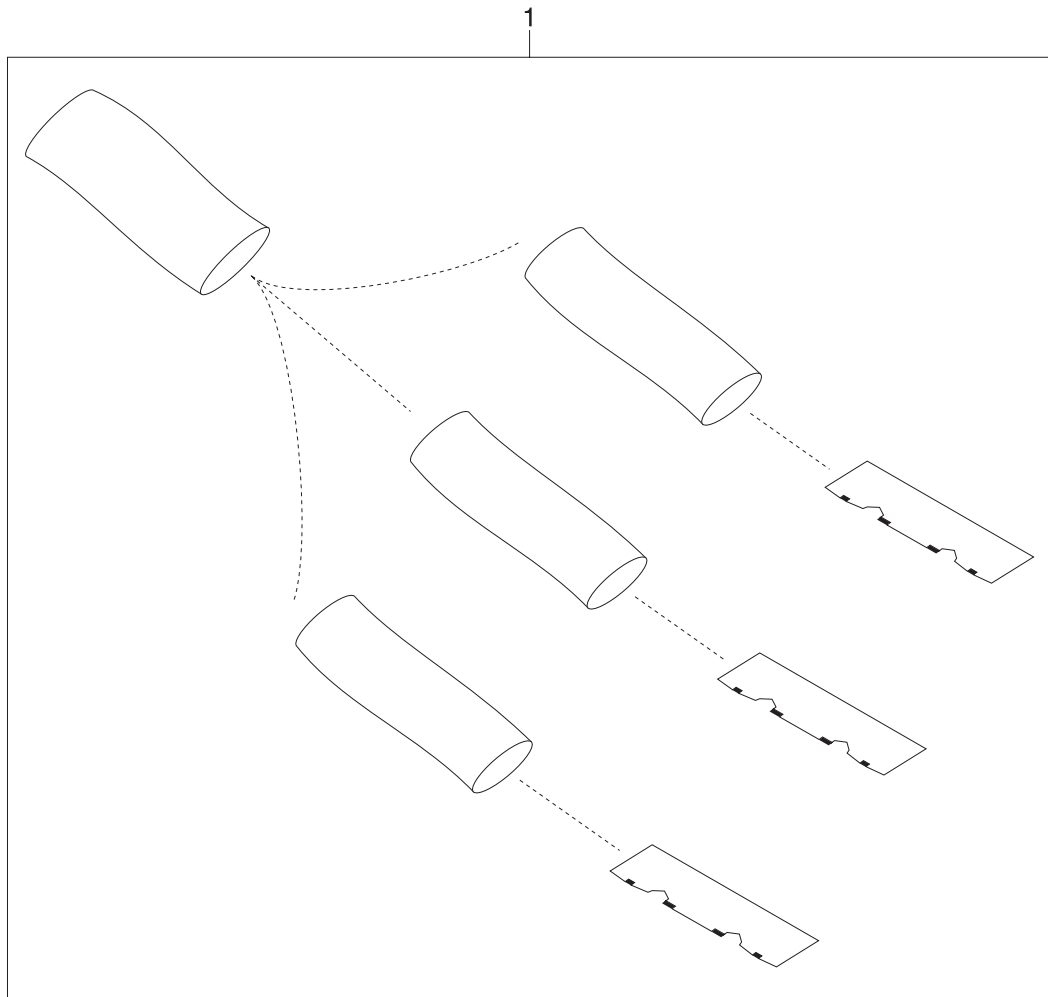


Figure 8-40 ADF mylar replacement kit

Table 8-39 ADF mylar replacement kit

Reference	Description	Part number	Quantity
1	ADF mylar replacement kit	Q6496-67901	1

Scanner components

Scanner glass and cover

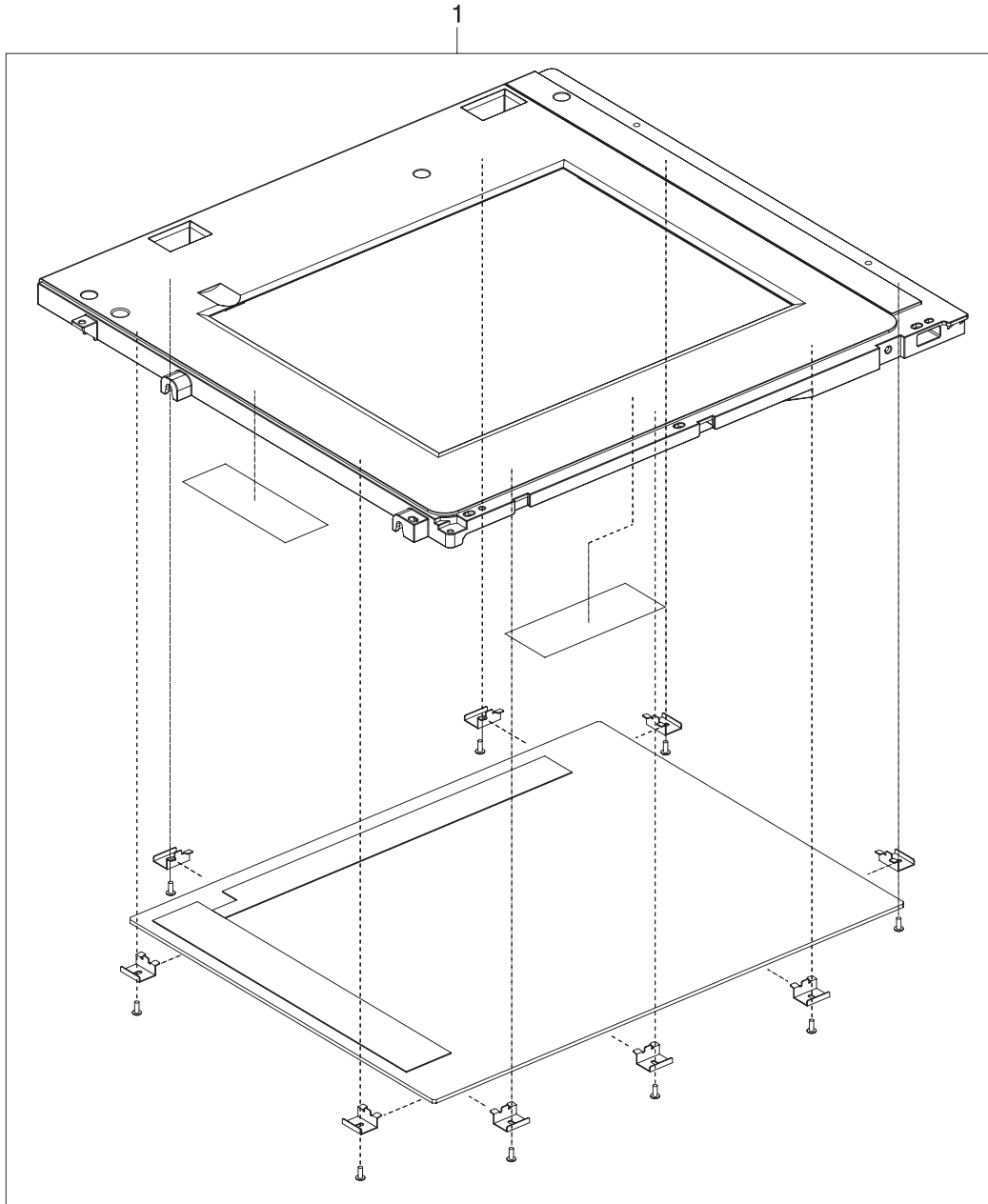


Figure 8-41 Scanner glass and cover

Table 8-40 Scanner glass and cover

Reference	Description	Part number	Quantity
1	Scanner glass and cover	IR4041K111NI	1
2	Screw, scanner, M3x8	IR4041P021NI	

Scanner-base components

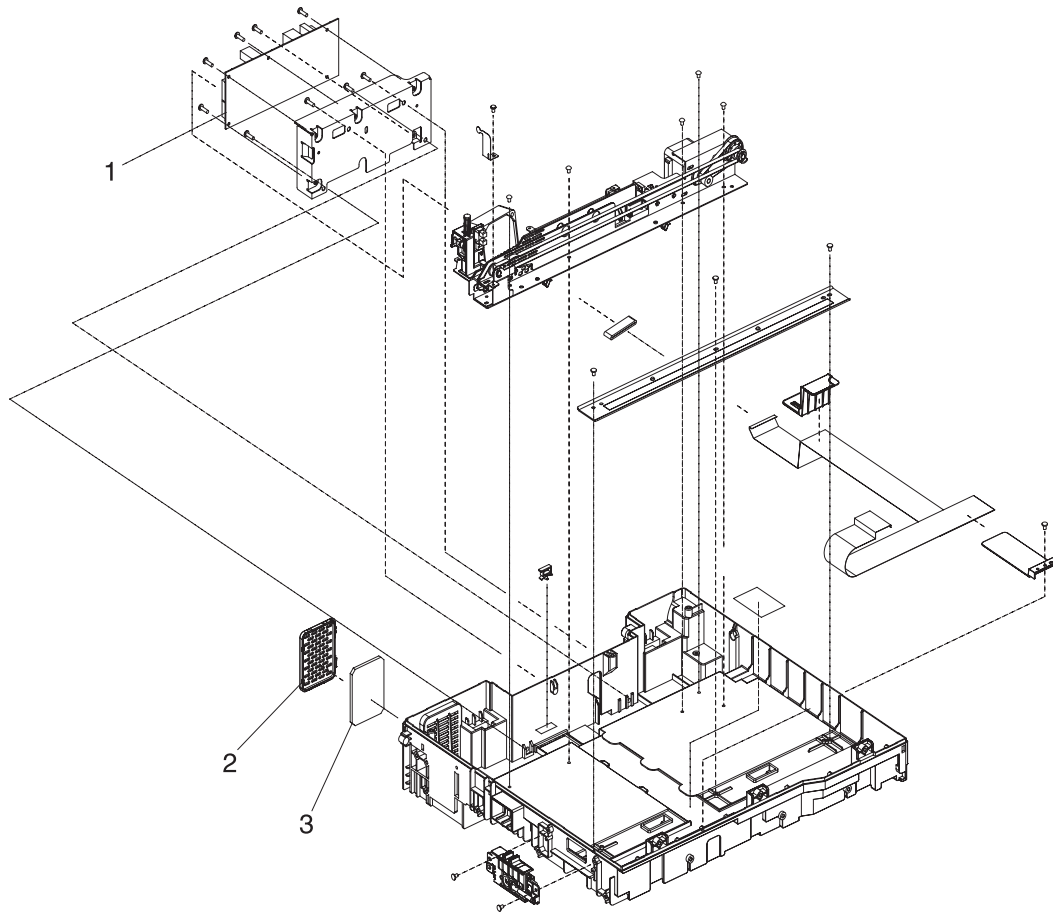


Figure 8-42 Scanner-base components

Table 8-41 Scanner-base components

Reference	Description	Part number	Quantity
1	Scanner controller PCA	IR4041K512NI	1
2	Scanner fan-filter cover	IR4041P217NI	1
3	Scanner-fan filter	IR4041P007NI	1

Scanner flatbed-unit assembly

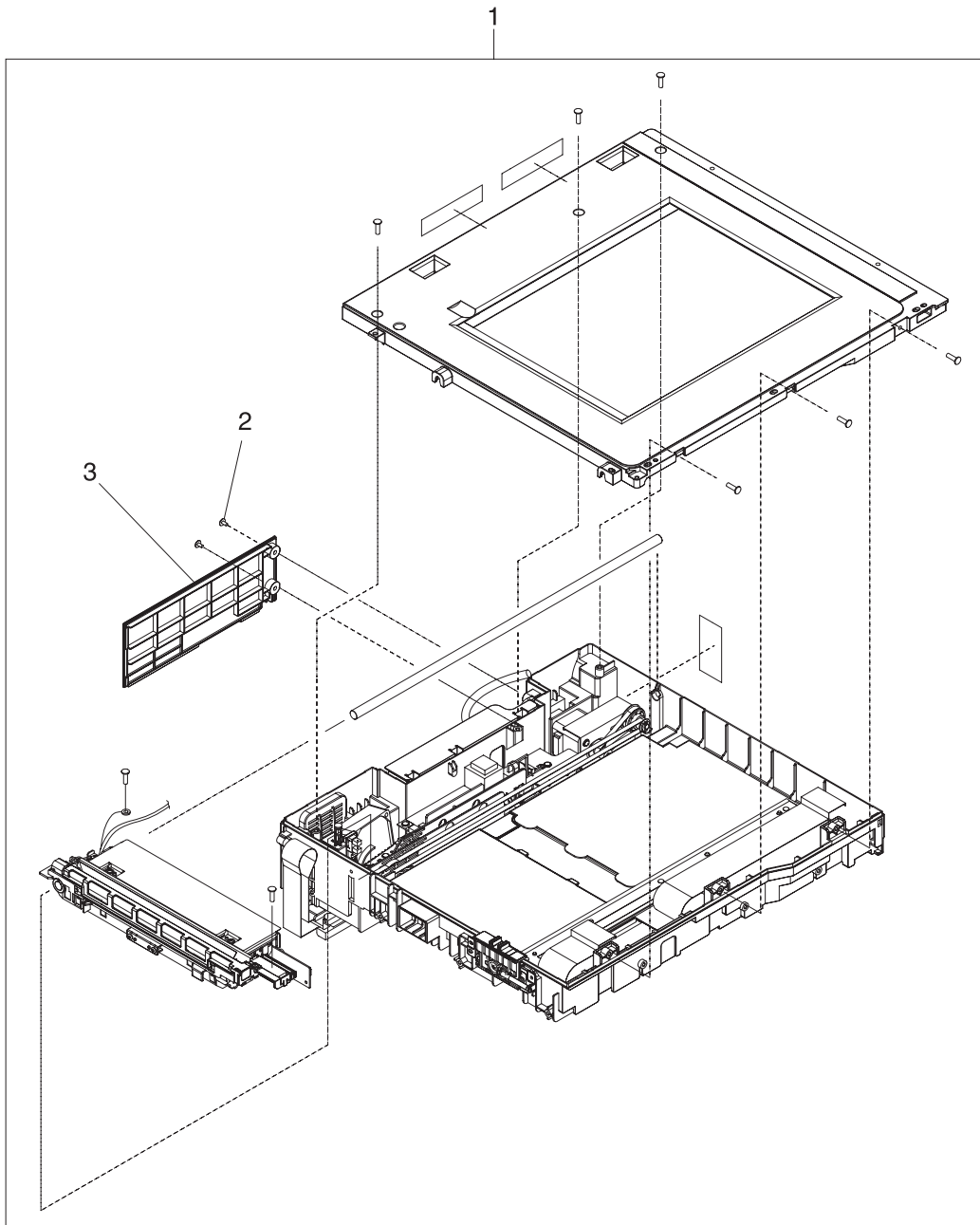


Figure 8-43 Scanner flatbed-unit assembly

Table 8-42 Scanner flatbed-unit assembly

Reference	Description	Part number	Quantity
1	Scanner flatbed-unit assembly	IR4041K081NI	1
2	Screw, scanner flatbed	040100FNBBNI	
3	Scanner rear cover	IR4041P216NI	1

Scanner covers

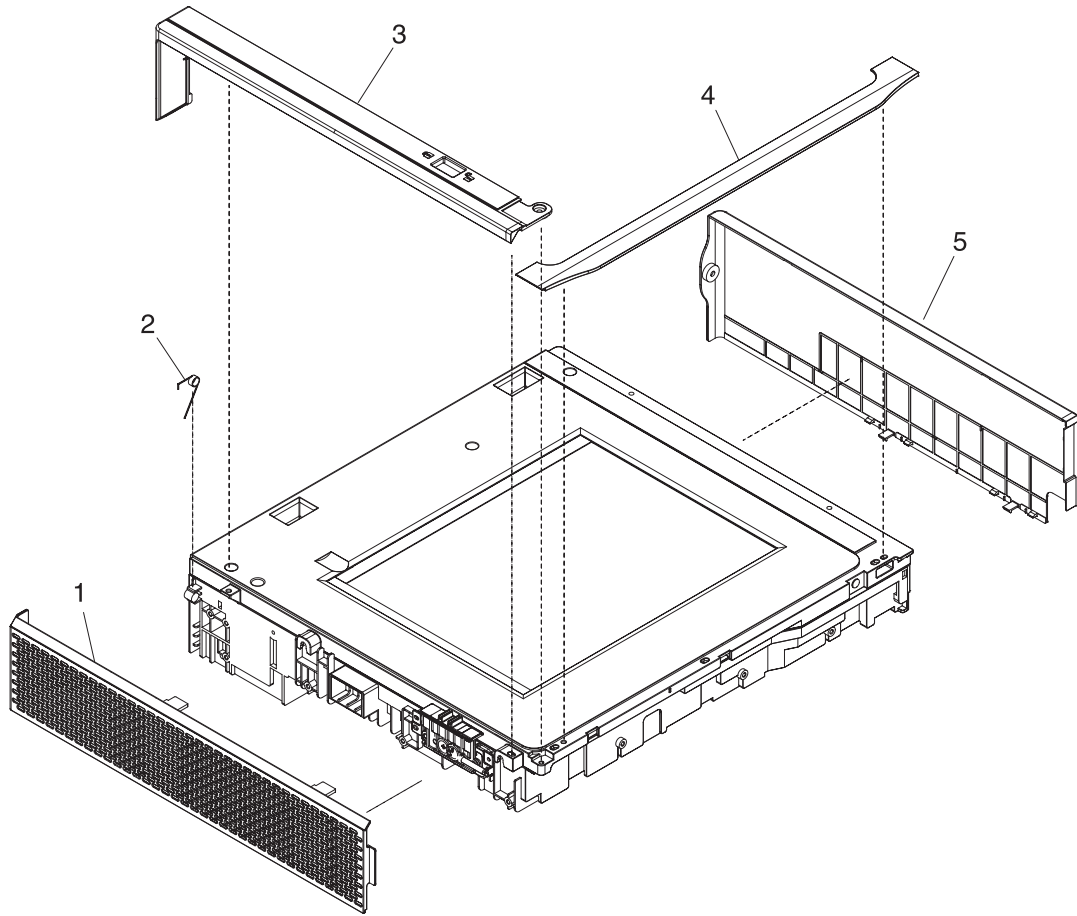


Figure 8-44 Scanner covers

Table 8-43 Scanner covers

Reference	Description	Part number	Quantity
1	Scanner left cover	IR4041K114NI	1
2	Scanner, spring for left cover	IR4041P041NI	1
3	Scanner-carriage-lock cover	IR4041P214NI	
4	Scanner top-cover flatbed flange	IR4041P125NI	1
5	Scanner right cover	IR4041P213NI	1

Scanner-carriage-lock assembly

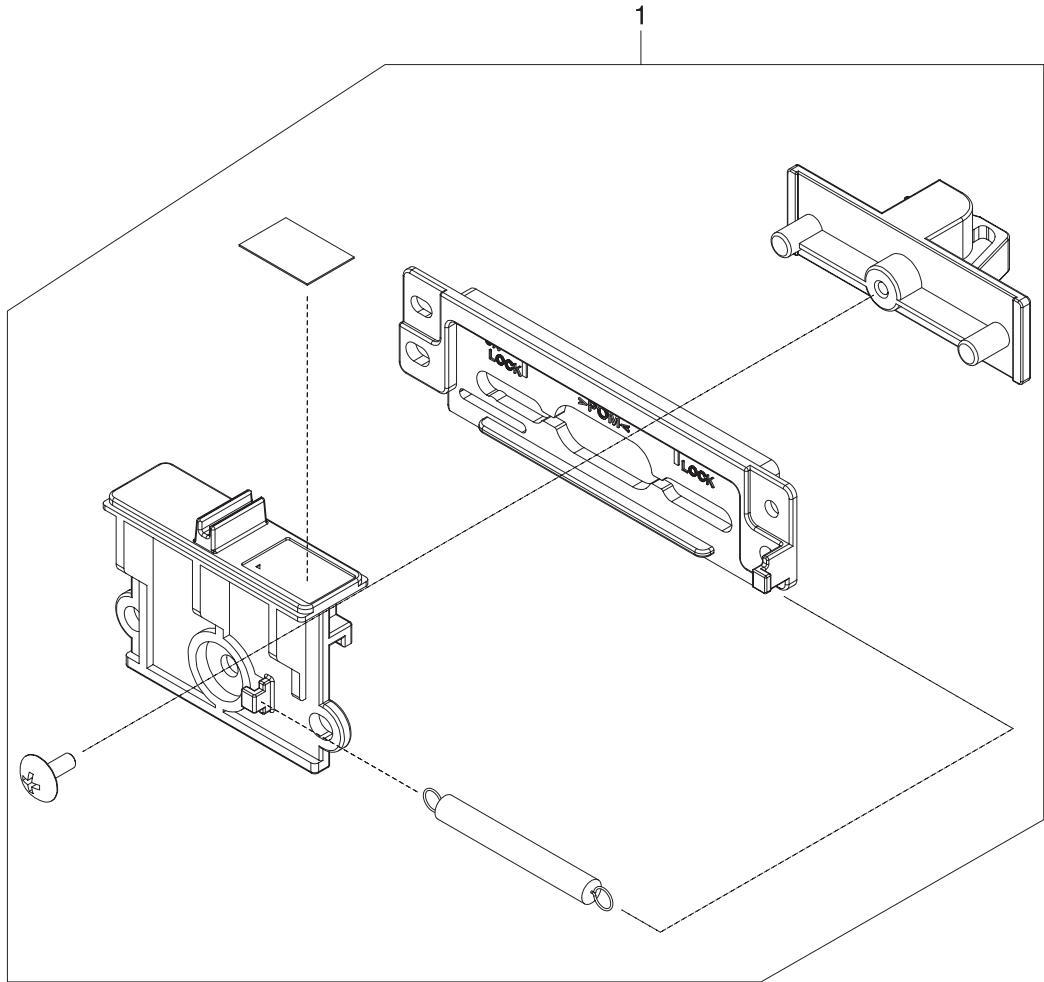


Figure 8-45 Scanner-carriage-lock assembly

Table 8-44 Scanner-carriage-lock assembly

Reference	Description	Part number	Quantity
1	Scanner-carriage-lock assembly	IR4041K102NI	1

Scanner-open-sensor assembly

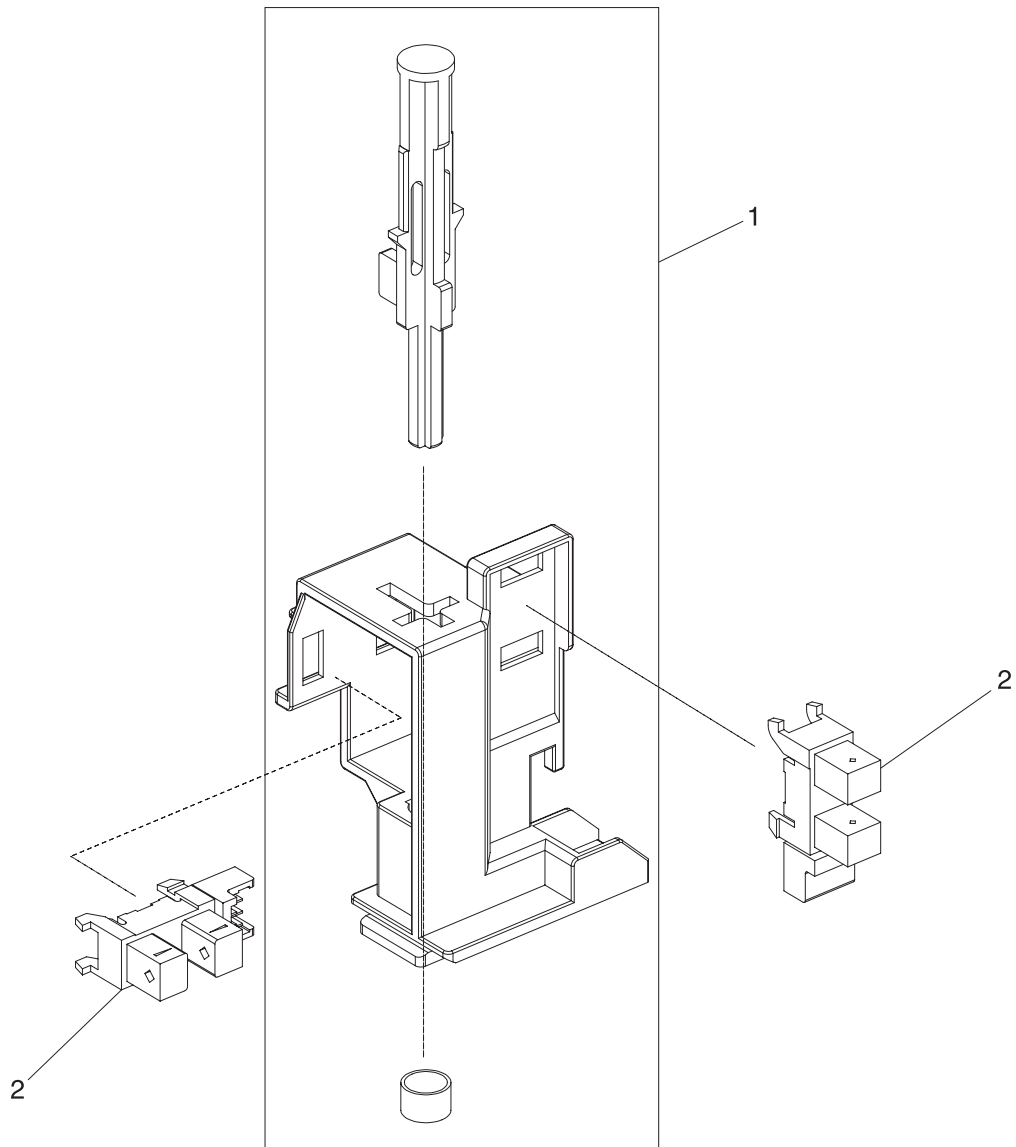


Figure 8-46 Scanner-open-sensor assembly

Table 8-45 Scanner-open-sensor assembly

Reference	Description	Part number	Quantity
1	Scanner-open-sensor assembly	IR4041K105NI	1
2	Scanner-open sensor	E314000619NI	1

Scanner-motor fan

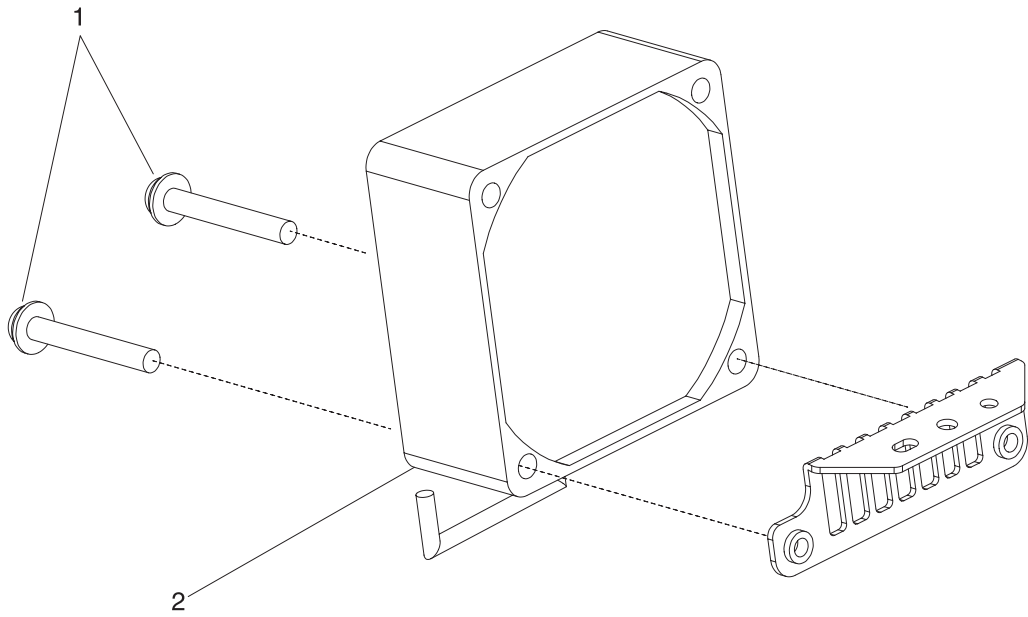


Figure 8-47 Scanner-motor fan

Table 8-46 Scanner-motor fan

Reference	Description	Part number	Quantity
1	Screw, scanner-motor fan	040300FNWSNI	
2	Scanner-motor fan	IR4041P521NI	1

Scanner motor

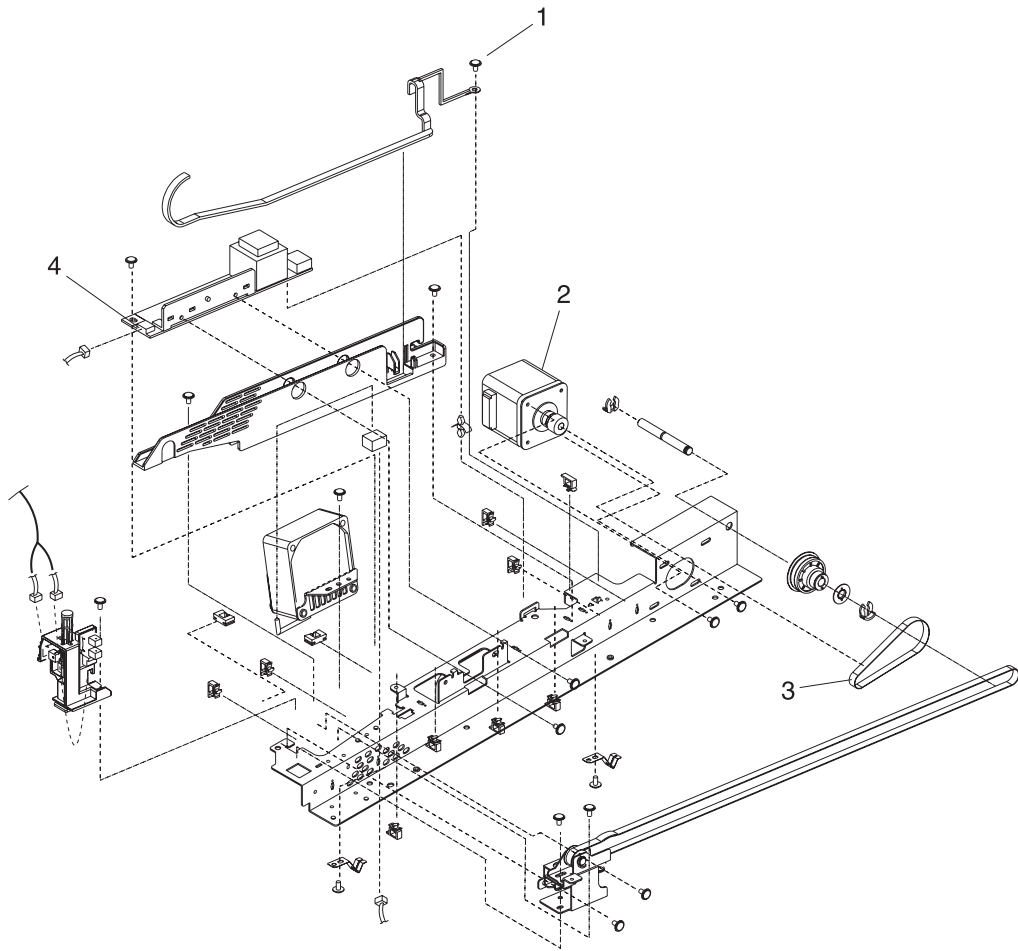


Figure 8-48 Scanner motor

Table 8-47 Scanner motor

Reference	Description	Part number	Quantity
1	Screw, scanner motor	030060FNITNI	
2	Scanner motor	IR4041K250NI	1
3	Scanner-motor belt	NS-BLT00290NI	1
4	Scanner motor inverter	IR4041P522NI	1

Scanner-belt assembly

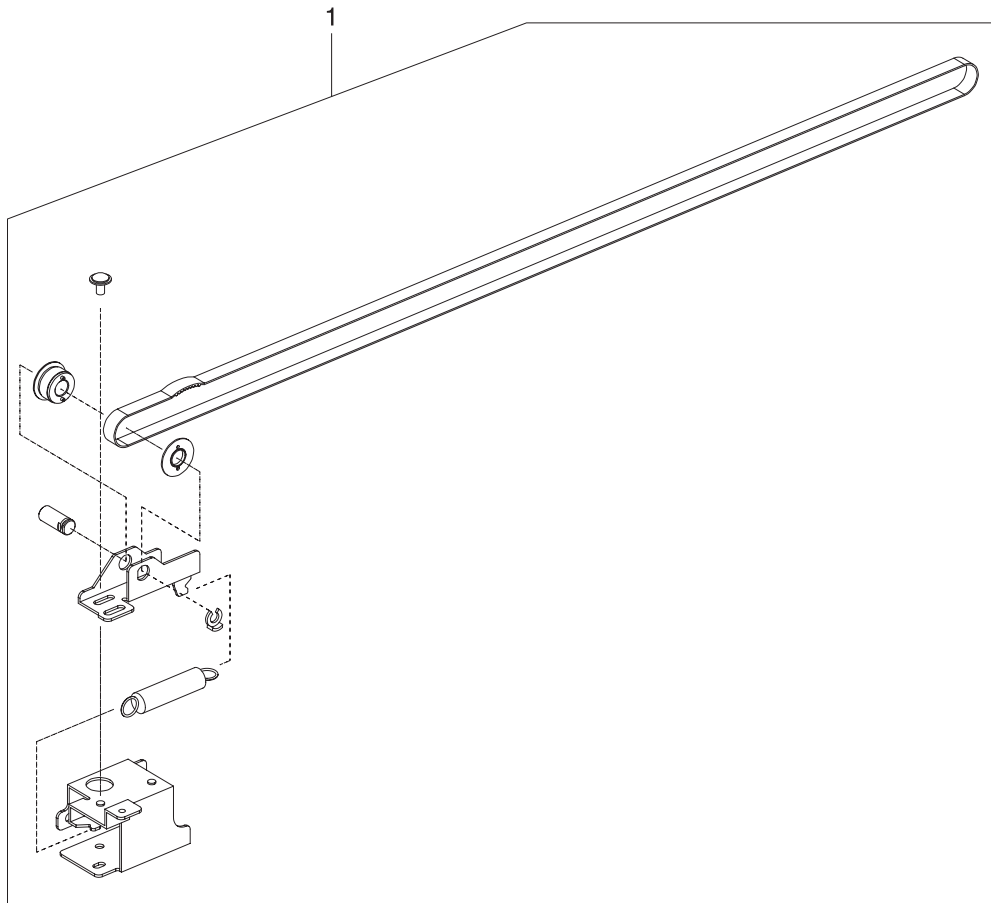


Figure 8-49 Scanner-belt assembly

Table 8-48 Scanner-belt assembly

Reference	Description	Part number	Quantity
1	Scanner-belt assembly	IR4041K107NI	1

Scanner slide-rail

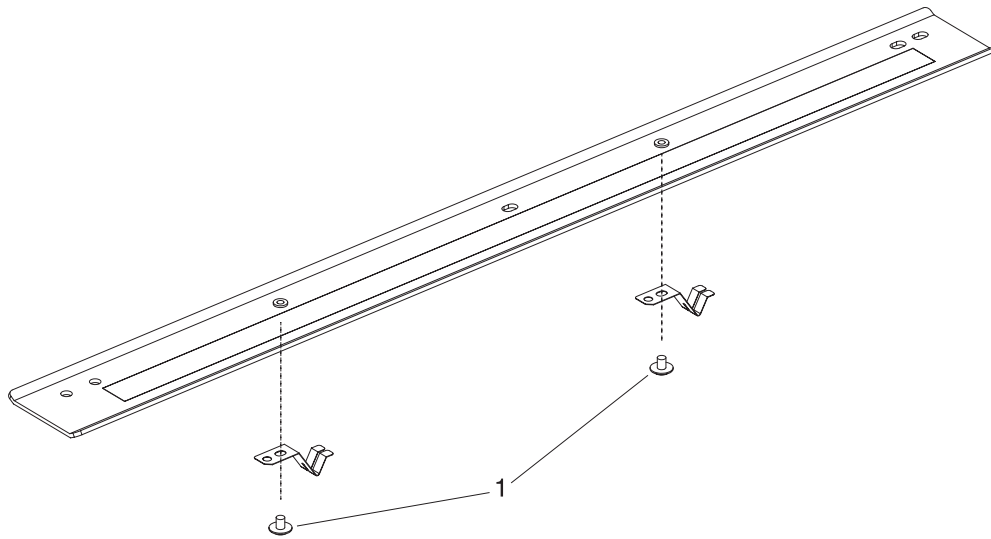


Figure 8-50 Scanner slide-rail

Table 8-49 Scanner slide-rail

Reference	Description	Part number	Quantity
1	Screw, scanner slide-rail	030040FNITNI	

Scanner optical assembly

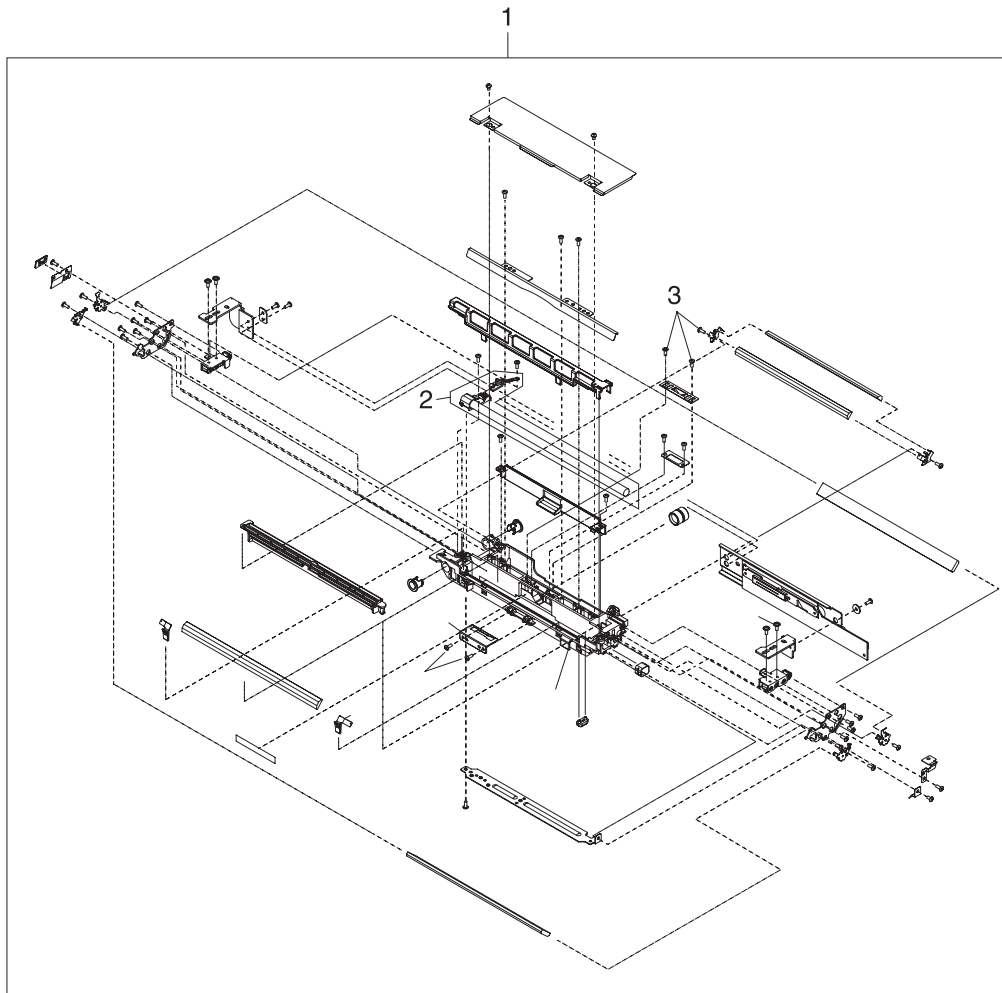


Figure 8-51 Scanner optical assembly

Table 8-50 Scanner optical assembly

Reference	Description	Part number	Quantity
1	Scanner optical assembly	IR4041K121NI	1
2	Lamp, scanner	IR4041K151NI	1
3	Screw, optical assembly	030080FBBNI	

500-sheet feeder components

Assembly locations

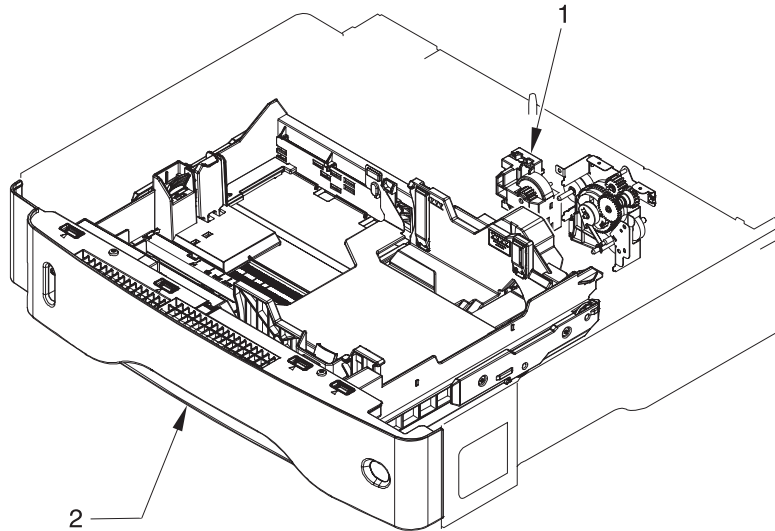


Figure 8-52 500-sheet feeder assembly locations

Item	Assembly name	Details
1	Lifter-drive assembly	See Figure 8-56 500-sheet feeder lifter-drive assembly .
2	Cassette	See Figure 8-57 500-sheet feeder cassette .

External components

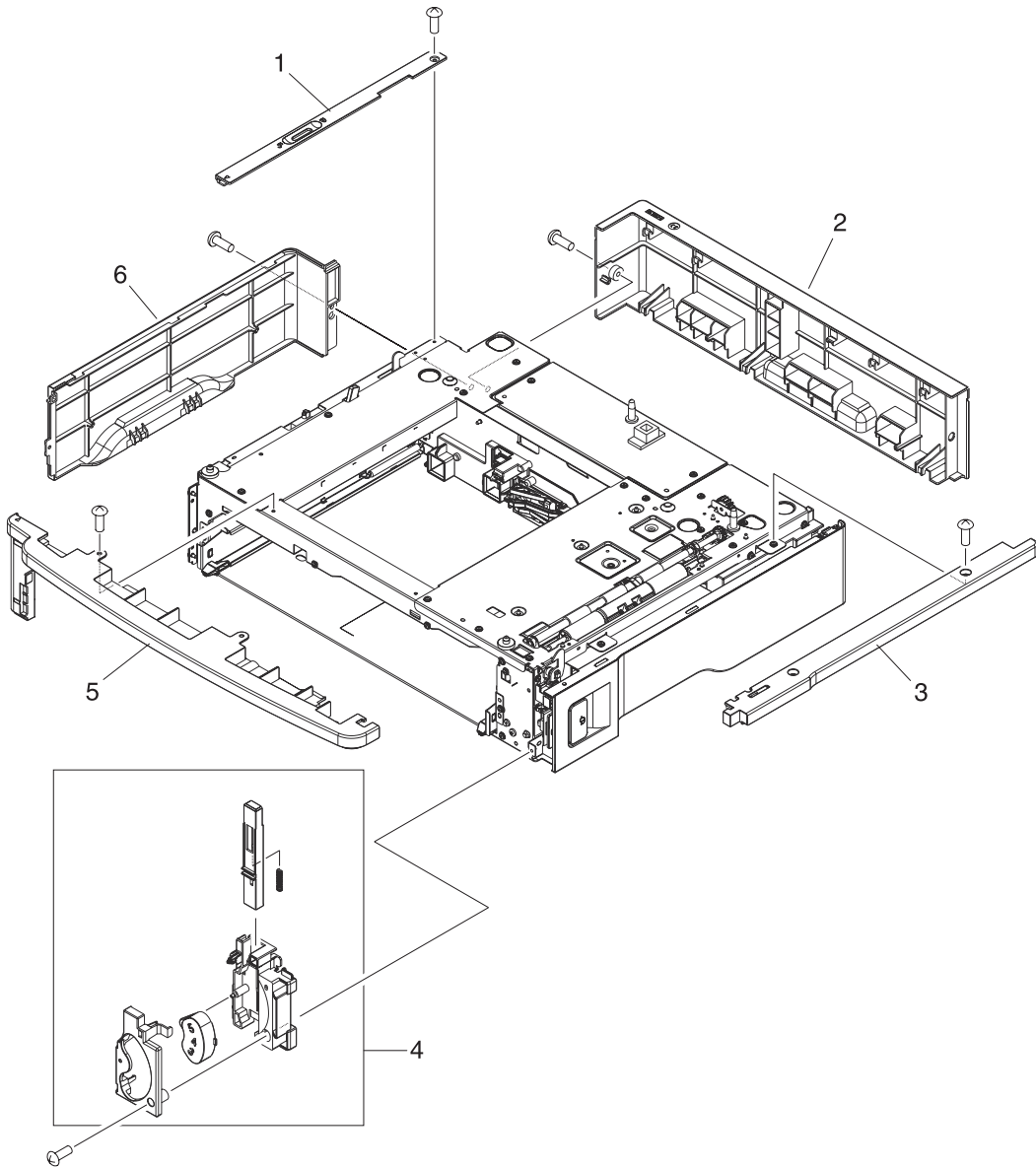


Figure 8-53 500-sheet feeder external components

Table 8-51 500-sheet feeder external components

Reference	Description	Part number	Quantity
1	Cover, left-upper, 500-sheet feeder	RC1-3200-000CN	1
2	Cover, rear, 500-sheet feeder	RC1-3197-000CN	1
3	Cover, right, 500-sheet feeder	RC1-3198-000CN	1
4	Number-plate assembly	RM1-1456-000CN	1
5	Cover, front, 500-sheet feeder	RC1-3196-000CN	1
6	Cover, left, 500-sheet feeder	RC1-3199-000CN	1

500-sheet feeder main body (1 of 2)

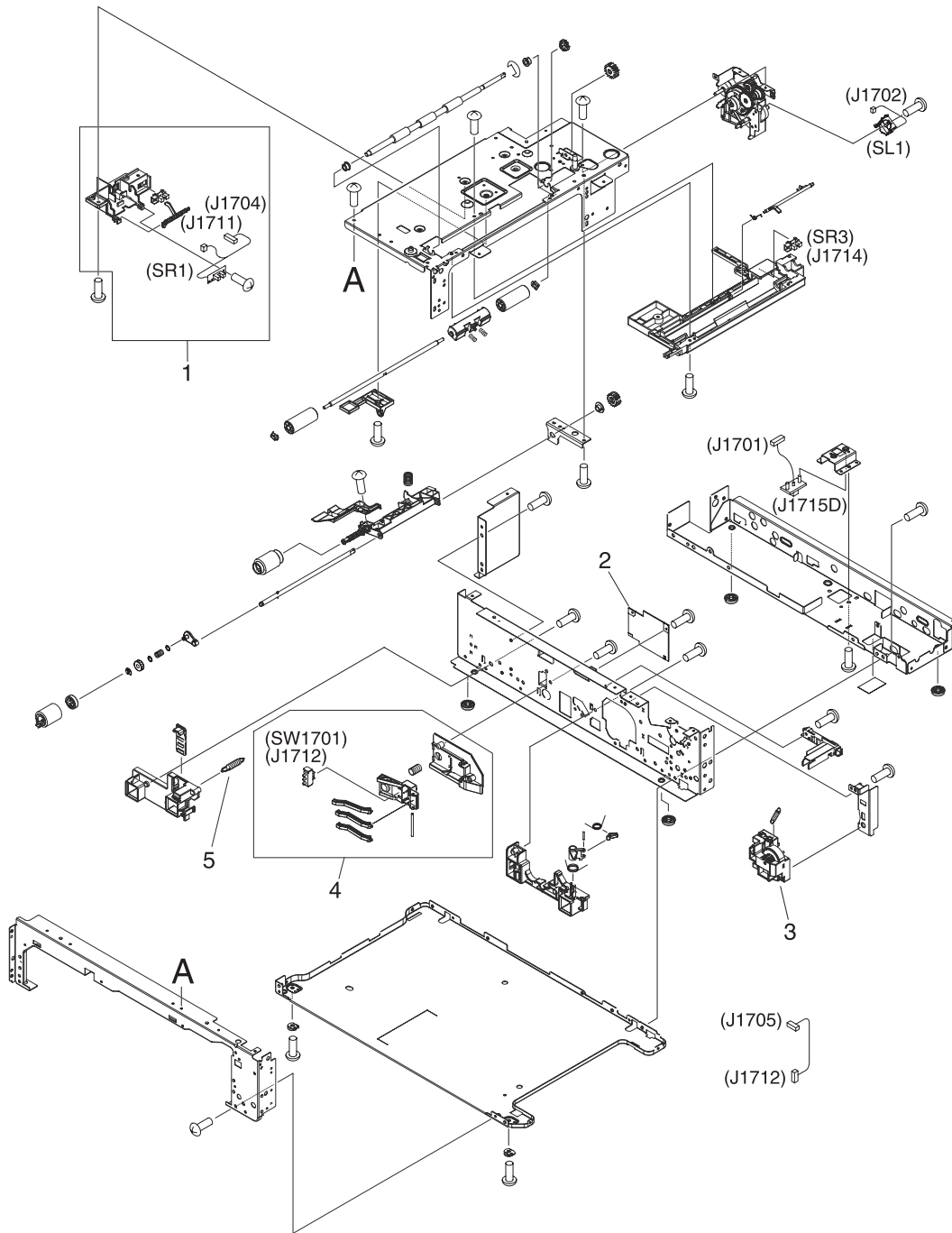


Figure 8-54 500-sheet feeder main body (1 of 2)

Table 8-52 500-sheet feeder main body (1 of 2)

Reference	Description	Part number	Quantity
1	Paper-present sensing assembly (500-sheet feeder)	RM1-1455-000CN	1
2	500-sheet feeder driver PCA	RM1-1122-000CN	1
3	Lifter-drive assembly (500-sheet feeder)	RM1-1094-000CN	1
4	Sensor, paper-size assembly (500-sheet feeder)	RM1-0041-000CN	1
5	Spring, grounding (500-sheet feeder)	RU5-2251-000CN	1

500-sheet feeder main body (2 of 2)

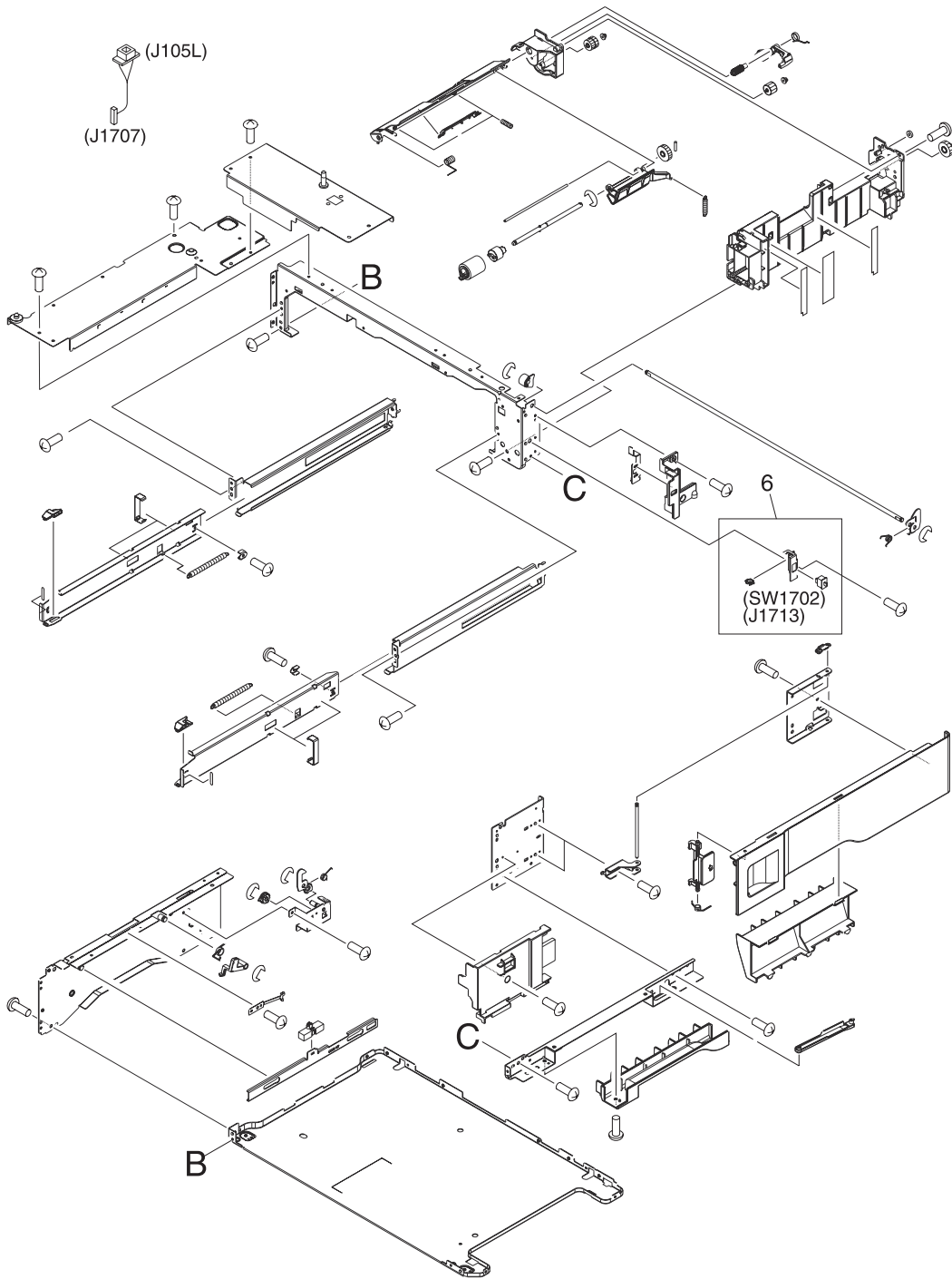


Figure 8-55 500-sheet feeder main body (2 of 2)

Table 8-53 500-sheet feeder main body (2 of 2)

Reference	Description	Part number	Quantity
6	Sensor, right-door-open (500-sheet feeder)	RM1-1045-000CN	1

Table 8-54 500-sheet feeder lifter-drive assembly

Reference	Description	Part number	Quantity
1	Lifter-drive assembly (500-sheet feeder)	RM1-1457-000CN	1

500-sheet feeder cassette

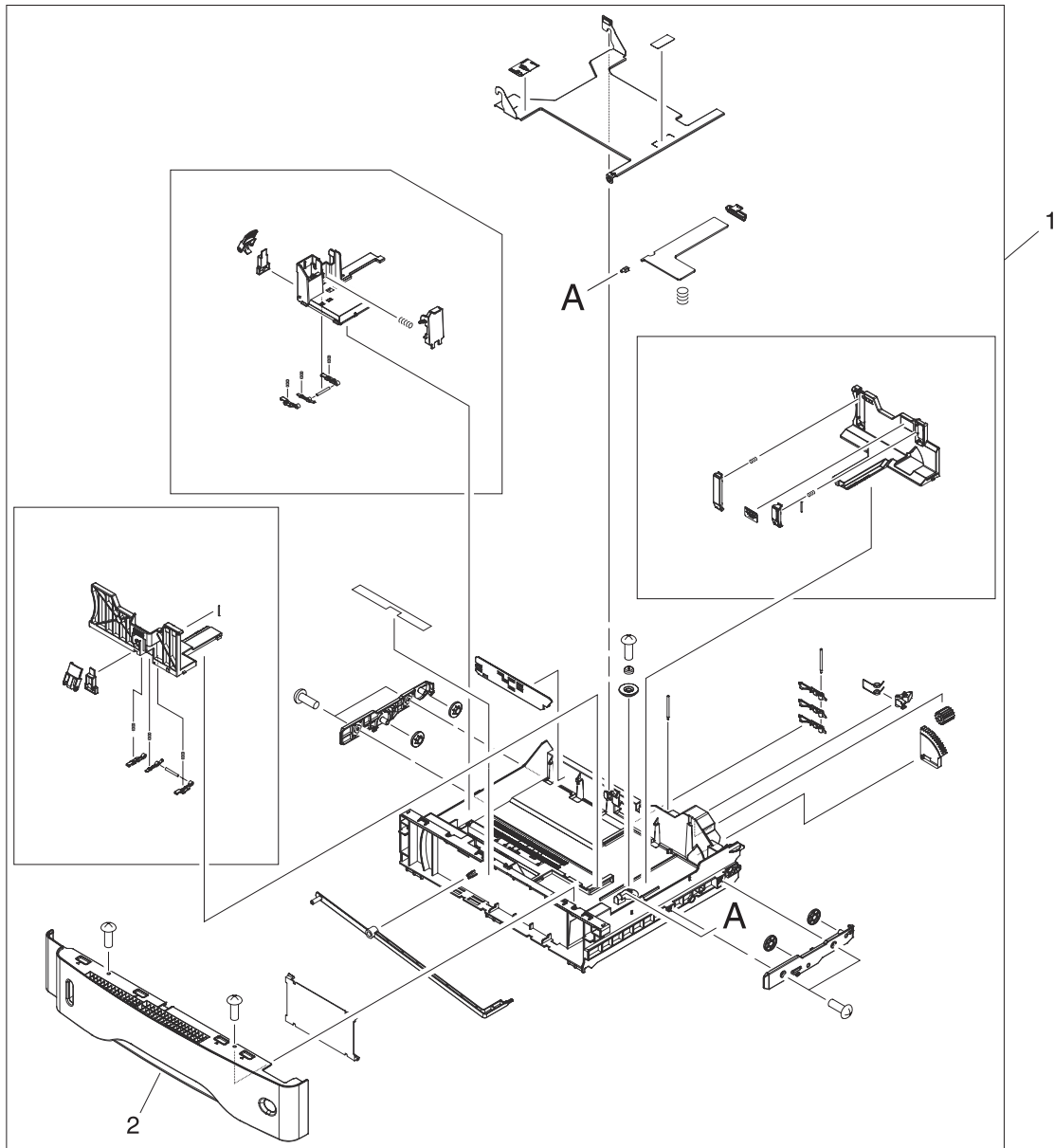


Figure 8-57 500-sheet feeder cassette

Table 8-55 500-sheet feeder cassette

Reference	Description	Part number	Quantity
1	Cassette (tray 2, 3, 4, or 5)	RM1-1001-000CN	1
2	Cover, front (cassette)	RC1-3020-000CN	1

Optional devices

Duplex-printing accessory

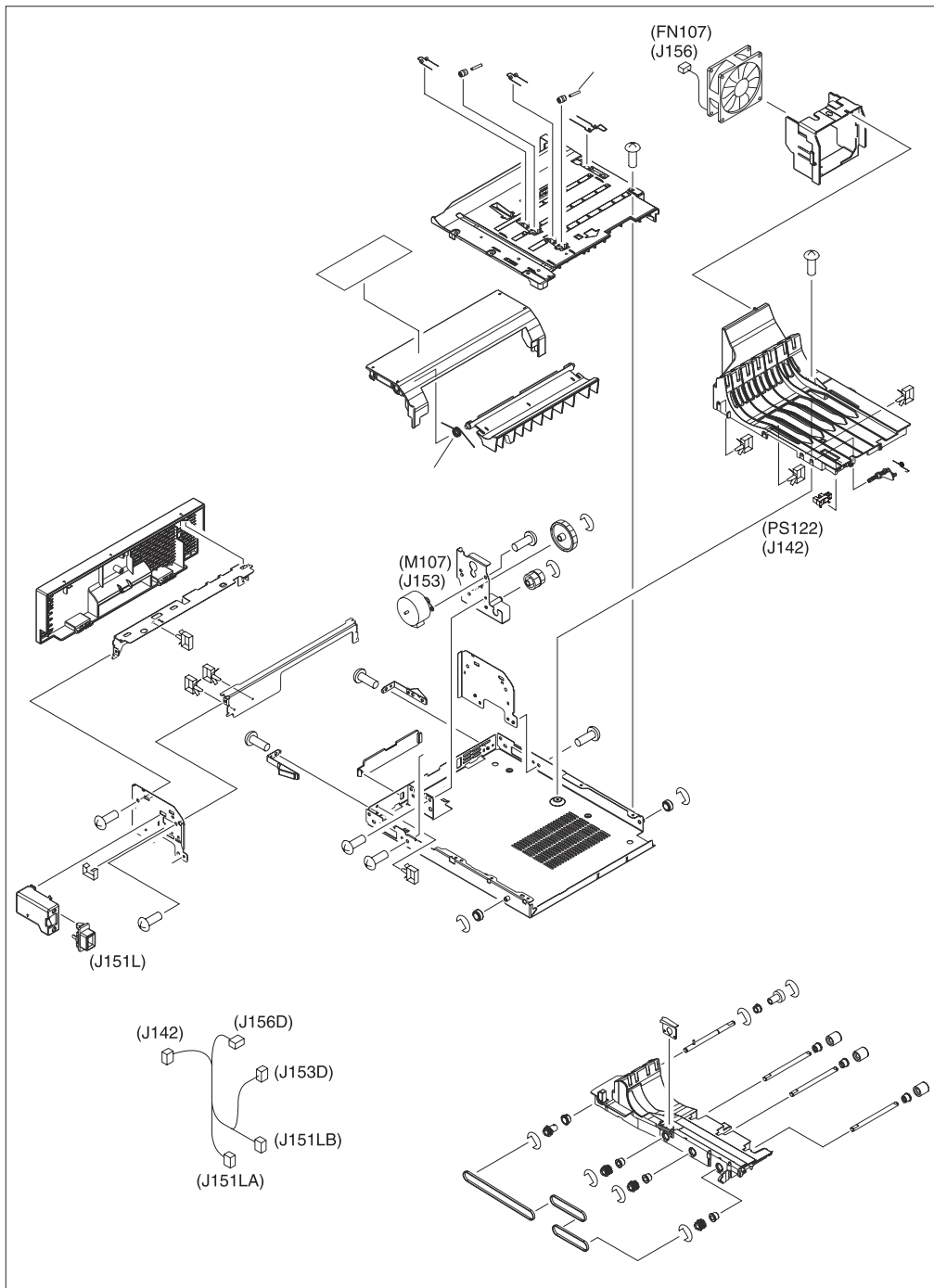


Figure 8-58 Duplex-printing assembly

Table 8-56 Duplex-printing assembly

Reference	Description	Part number	Quantity
1	Duplex-printing assembly	Q5969-67901	1

Stapler/stacker

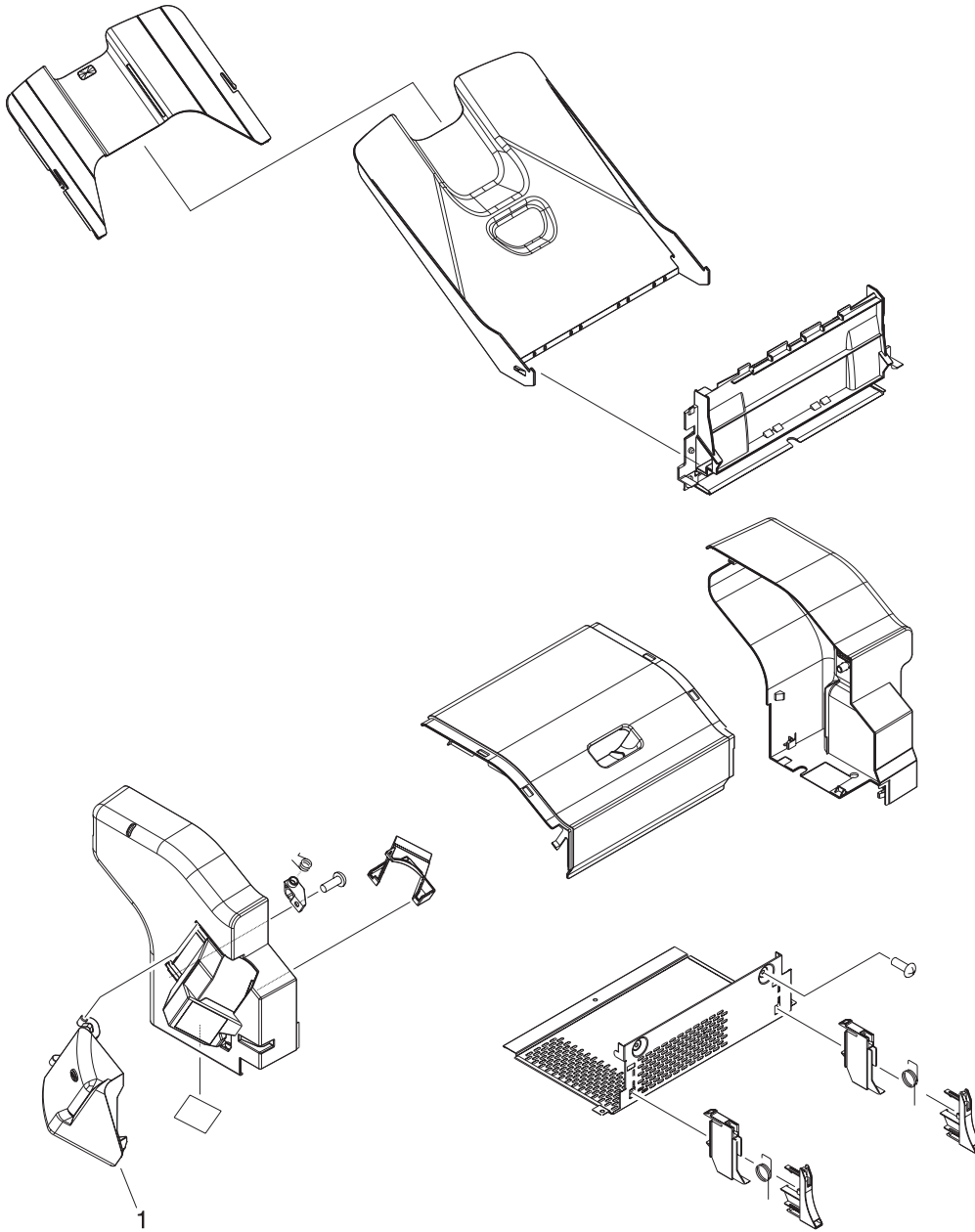


Figure 8-59 Stapler/stacker accessory

Table 8-57 Stapler/stacker accessory

Reference	Description	Part number	Quantity
	Stapler/stacker accessory	Q5691-60501	1
	Staple cartridge	C8085-60541	1
1	Stapler/stacker jam-access door	RC1-2597-000CN	1

3-bin mailbox

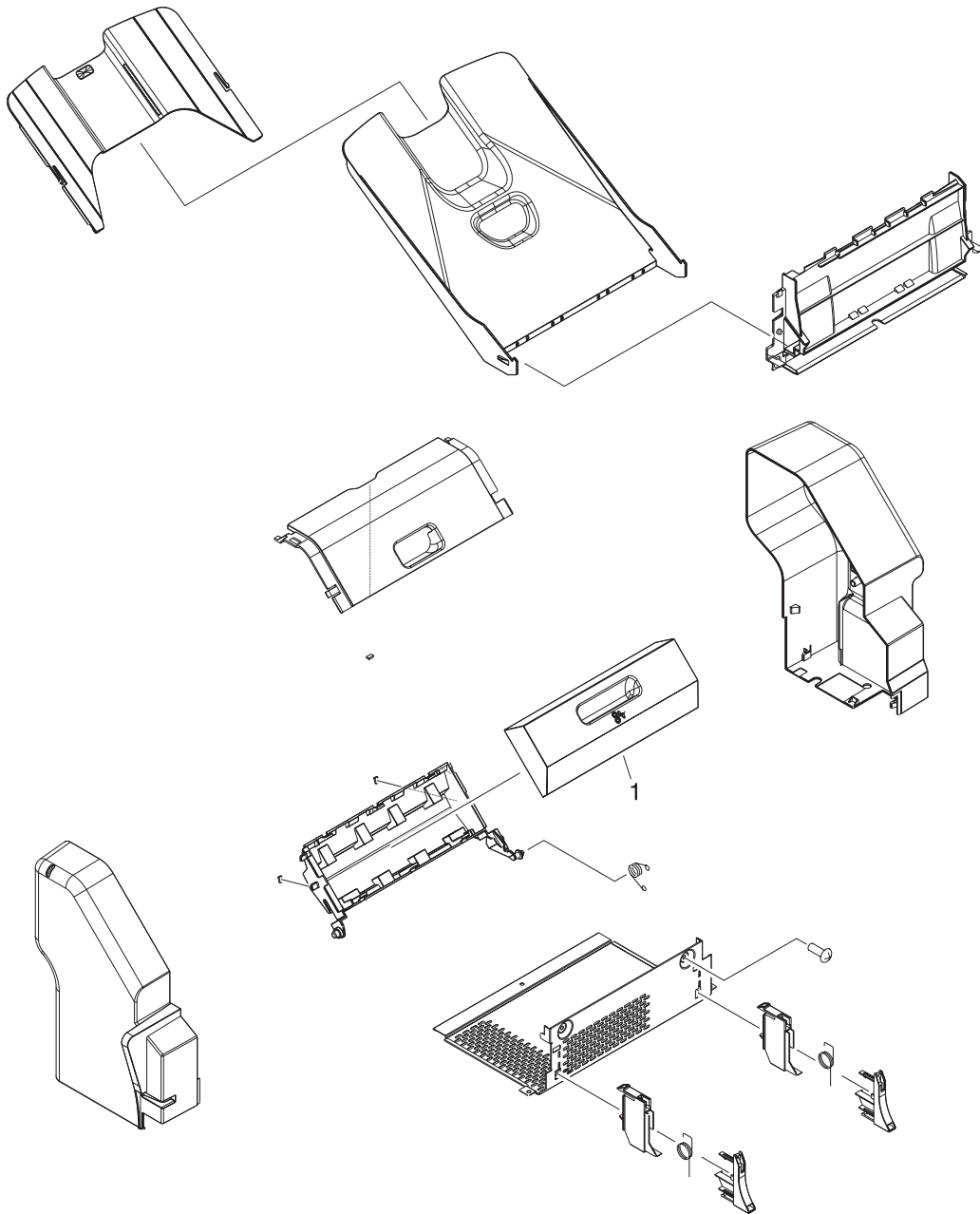


Figure 8-60 3-bin mailbox accessory

Table 8-58 3-bin mailbox accessory

Reference	Description	Part number	Quantity
	3-bin mailbox accessory	Q5962-60503	1
1	3-bin mailbox jam-access door	RM1-0981-000CN	1