

Parts diagrams and lists

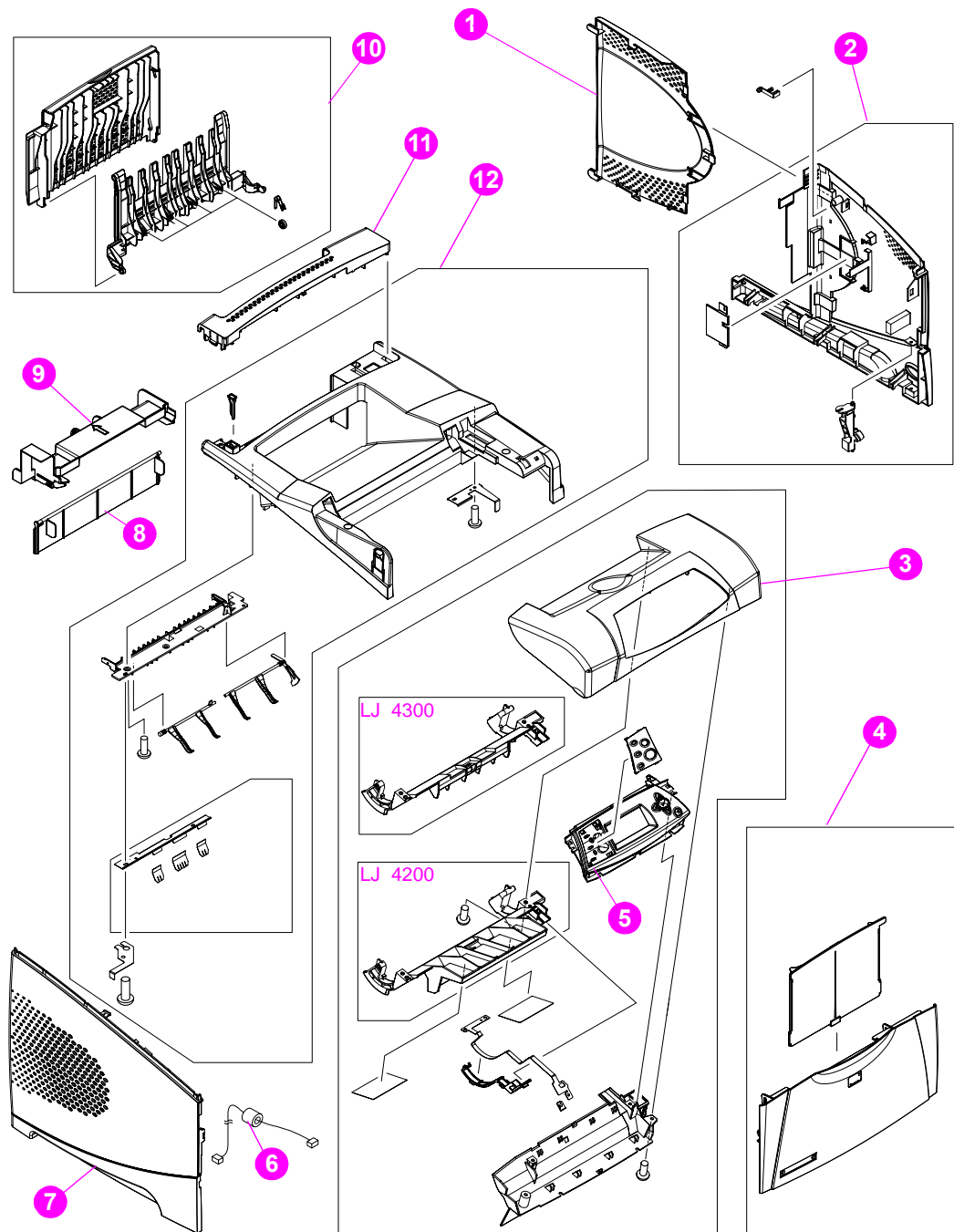


Figure 237. External covers and panels

Table 87. External covers and panels

Part number	Description	Reference
RC1-0288-000CN	Cover, formatter	1; figure 237
RM1-0046-000CN	Cover, right	2; figure 237
RM1-0047-000CN	Cover, cartridge door; LJ 4200	3; figure 237
RM1-0114-000CN	Cover, cartridge door; LJ 4300	3; figure 237
RM1-0050-000CN	Cover, front (be sure to order the correct name plate kit to install on the front cover)	4; figure 237
Q2425-67901	LJ4200 name plate kit	Not shown
Q2431-67908	LJ4300 name plate kit	Not shown
RG1-4276-000CN	Control panel	5; figure 237
RG1-4215-000CN	Cable, control panel	6; figure 237
RC1-0287-000CN	Cover, left	7; figure 237
RC1-0290-000CN	Cover; 500-sheet tray, rear	8; figure 237
RC1-0291-000CN	Cover, duplexer	9; figure 237
RM1-0027-000CN	Cover, rear output bin	10; figure 237
RC1-0289-000CN	Cover, paper-handling	11; figure 237
RM1-0049-000CN	Cover, top assembly	12; figure 237

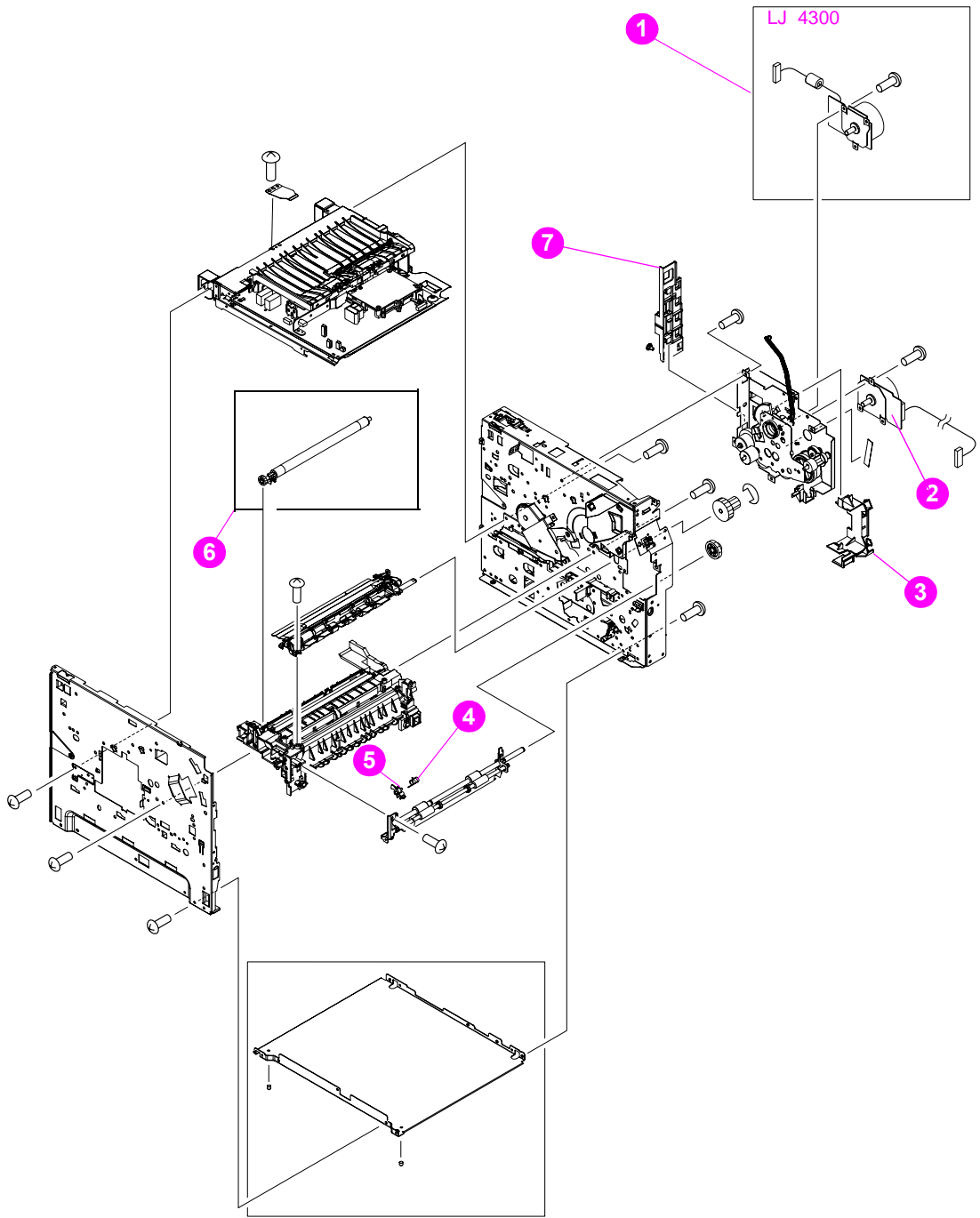


Figure 238. Main assemblies (1 of 3)

Table 88. Main assemblies (1 of 3)

Part number	Description	Reference
RH7-1576-000CN	Motor, print cartridge (LJ 4300 only)	1; figure 238
RH1-1570-000CN	Motor, main (LJ4200/4300)	2; figure 238
RC1-0270-000CN	Guide, cable DC controller	3; figure 238
RC1-0061-000CN	Spring, torsion	4; figure 238
RC1-0060-000CN	Flag, paper-feed sensor	5; figure 238
RC1-0044-000CN	Roller, transfer	6; figure 238
RC1-0269-000CN	Guide, cable DC controller	7; figure 238

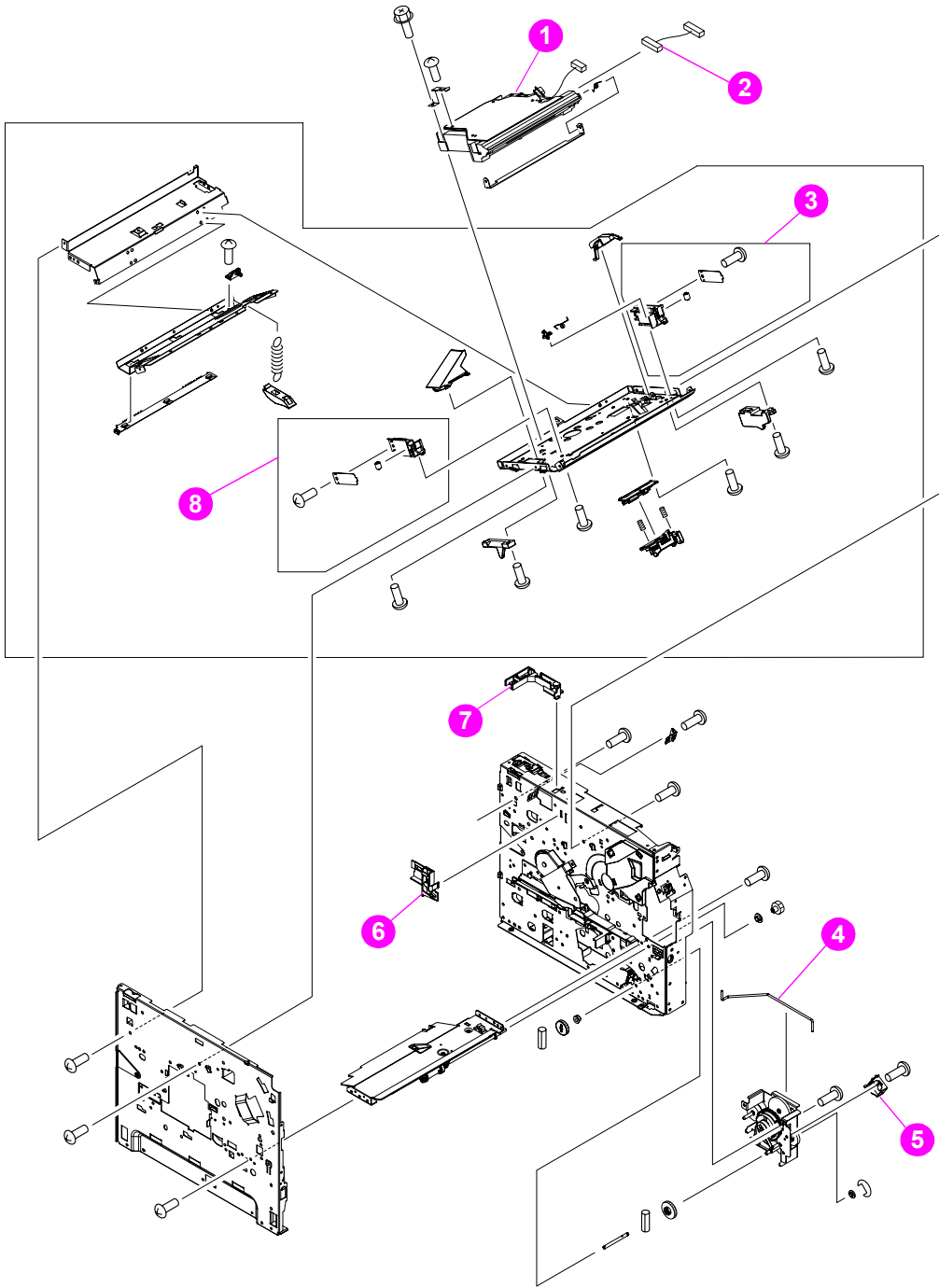


Figure 239. Main assemblies (2 of 3)

Table 89. Main assemblies (2 of 3)

Part number	Description	Reference
Q2425-69001 (exchange) RM1-0173-000CN (new)	Laser/scanner assembly (LJ 4200)	1; figure 239
Q2431-690001 (exchange) RM1-0183-000CN (new)	Laser/scanner assembly (LJ 4300)	1; figure 239
RG1-4212-000CN	Cable, laser	2; figure 239
RM1-0054-000CN	Brake assembly, right	3; figure 239
RC1-0268-000CN	Switch rod	4; figure 239
RH1-5355-000CN	Solenoid, paper-pickup assembly	5; figure 239
RC1-0340-000CN	Guide, scanner cable 1	6; figure 239
RC1-0385-000CN	Guide, scanner cable 2	7; figure 239
RM1-0053-000CN	Brake assembly, left	8; figure 239

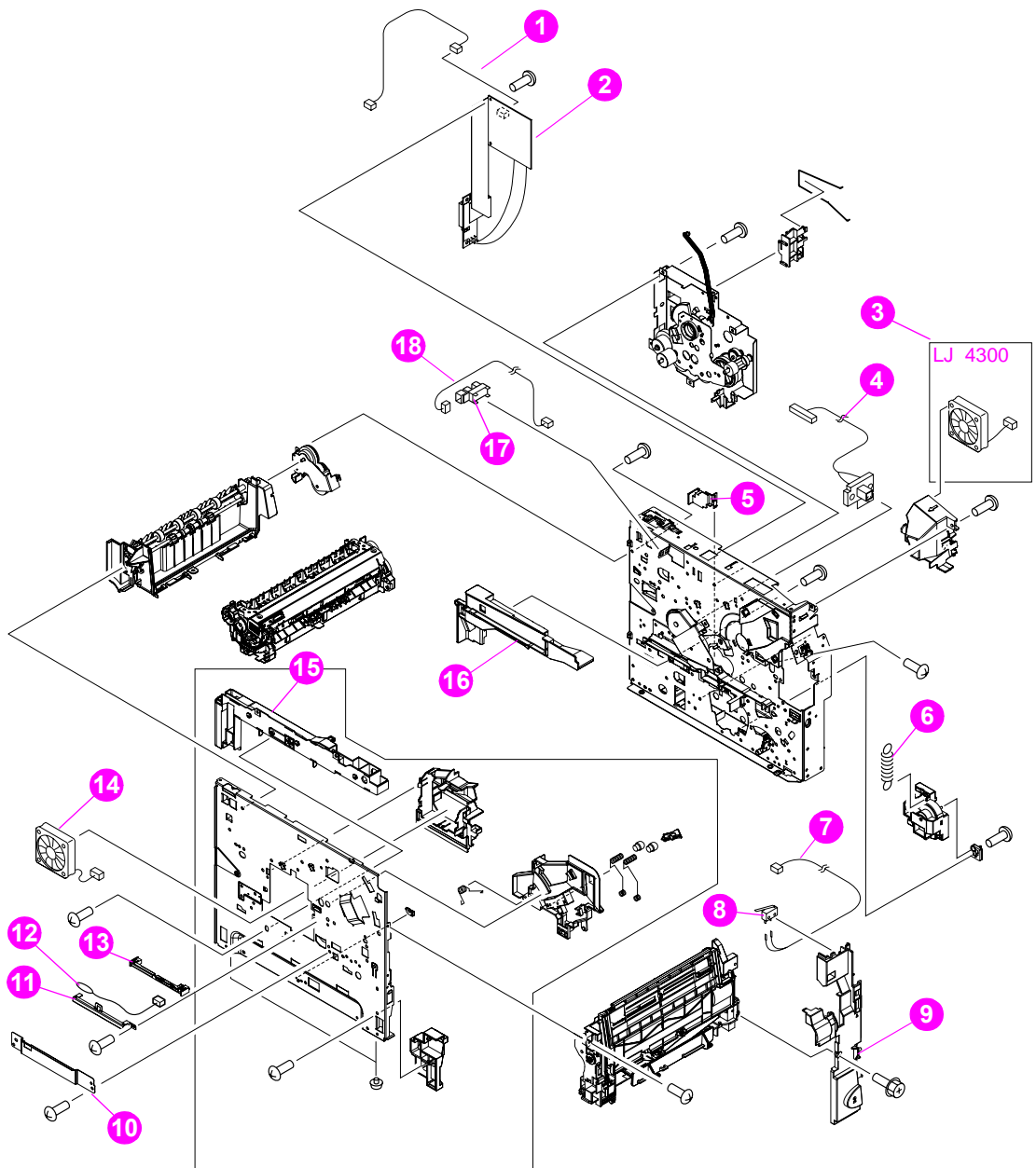


Figure 240. Main assemblies (3 of 3)

Table 90. Main assemblies (3 of 3)

Part number	Description	Reference
RG1-4219-000CN	Cable, memory	1; figure 240
RG1-4236-000CN	PCA, DC controller (LJ 4200)	2; figure 240
RG1-4237-000CN	PCA, DC controller (LJ 4300)	2; figure 240
RH7-1577-000CN	Fan, cooling right side (LJ 4300 only)	3; figure 240
RG1-4224-000CN	Cable, envelope feeder	4; figure 240
RC1-0386-000CN	Guide, connector cable	5; figure 240
RC1-0198-000CN	Spring, tension (lifter driver assembly)	6; figure 240
RG1-4213-000CN	Cable, top cover	7; figure 240
WC4-5139-000CN	Switch, top cover	8; figure 240
RC1-0019-000CN	Cover, inner front right side	9; figure 240
RC1-0344-000CN	Cover, fan (power supply shield)	10; figure 240
RC1-0343-000CN	Holder, metal thermistor	11; figure 240
RH7-7116-000CN	Thermistor	12; figure 240
RC1-0342-000CN	Holder, plastic thermistor	13; figure 240
RH7-1573-000CN	Fan, cooling left side (LJ 4200/4300)	14; figure 240
RC1-0273-000CN	Guide, tray 2 left side	15; figure 240
RC1-0274-000CN	Guide, tray 2 right side	16; figure 240
WG8-5362-000CN	Sensor, top bin-full	17; figure 240
RG1-4214-000CN	Cable, top bin-full	18; figure 240

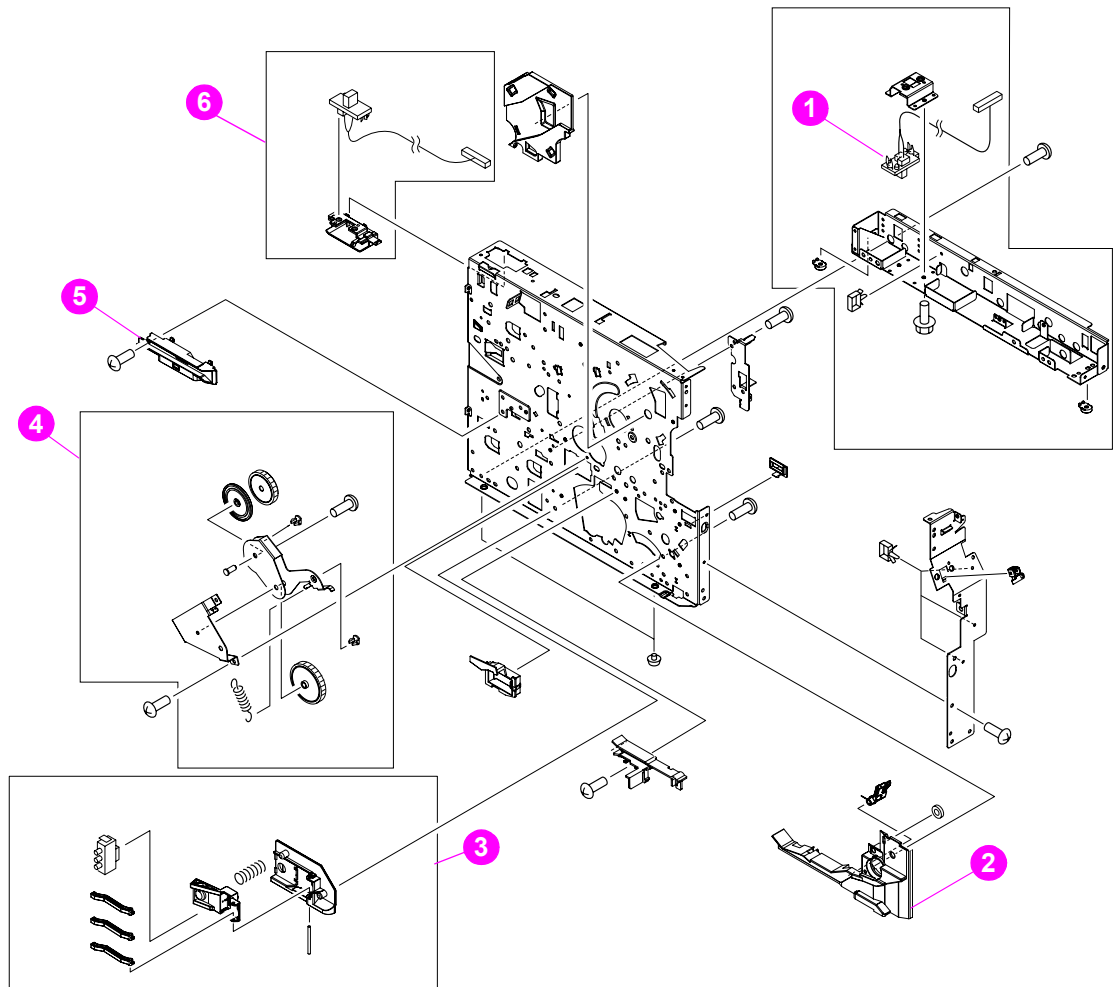


Figure 241. Right-side assemblies

Table 91. Right-side assemblies

Part number	Description	Reference
RG1-4223-000CN	Cable, feeder accessory	1; figure 241
RC1-0153-000CN	Guide, cassette	2; figure 241
RM1-0041-000CN	Tray 2 media size sensor assembly	3; figure 241
RM1-0043-000CN	Swing plate assembly	4; figure 241
RC1-0244-000CN	Guide right side power supply	5; figure 241
RM1-0042-000CN	Cable, JetLink accessory	6; figure 241

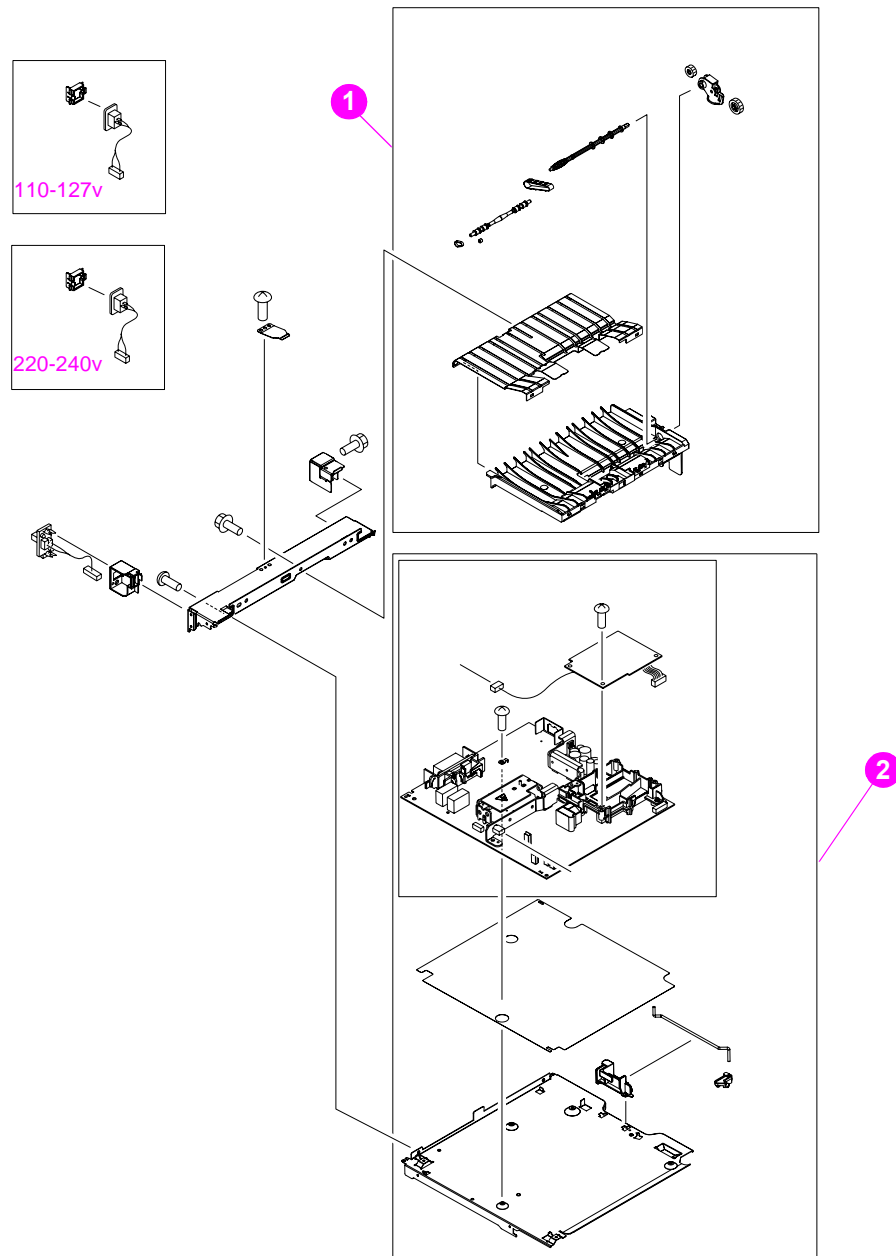


Figure 242. Power supply and paper feed belt assembly

Table 92. Power supply and paper-feed belt assembly

Part number	Description	Reference
RM1-0025-000CN	Paper feed belt assembly	1; figure 242
Q2425-69002 (exchange) RM1-0019-000CN (new)	Power supply, 110-V (LJ 4200)	2; figure 242
Q2425-69003 (exchange) RM1-0020-000CN (new)	Power supply, 220-V (LJ 4200)	2; figure 242
Q2431-69002 (exchange) RM1-0107-000CN (new)	Power supply, 110-V (LJ 4300)	2; figure 242
Q2431-69003 (exchange) RM1-0108-000CN (new)	Power supply, 220-V (LJ 4300)	2; figure 242

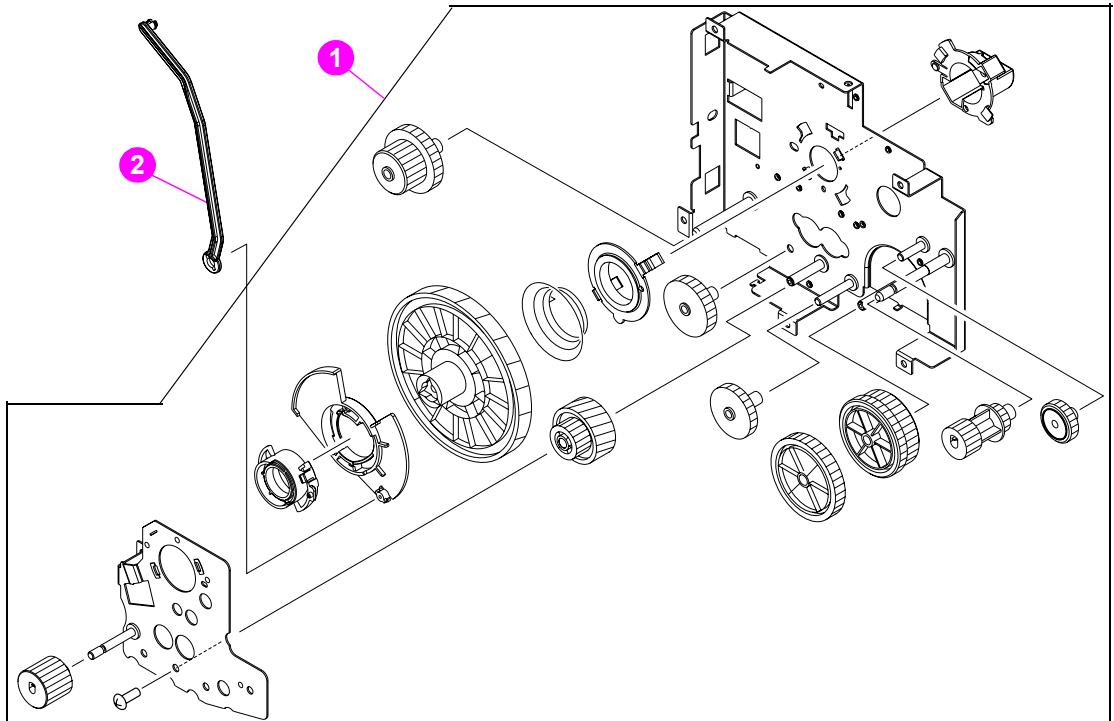


Figure 243. Main drive assembly

Table 93. Main drive assembly

Part number	Description	Reference
RM1-0001-000CN	Main drive assembly	1; figure 243
RC1-0003-000CN	Arm, toner cartridge release (print cartridge)	2; figure 243

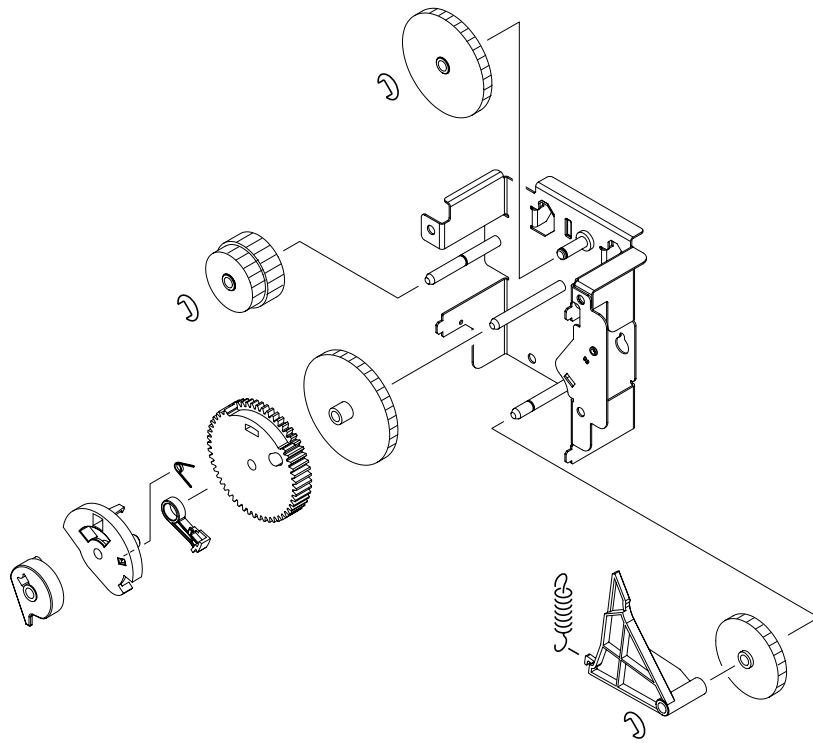


Figure 244. Paper-pickup assembly

Table 94. Paper-pickup assembly

Part number	Description	Reference
RM1-0034-000CN	Paper-pickup assembly	figure 244

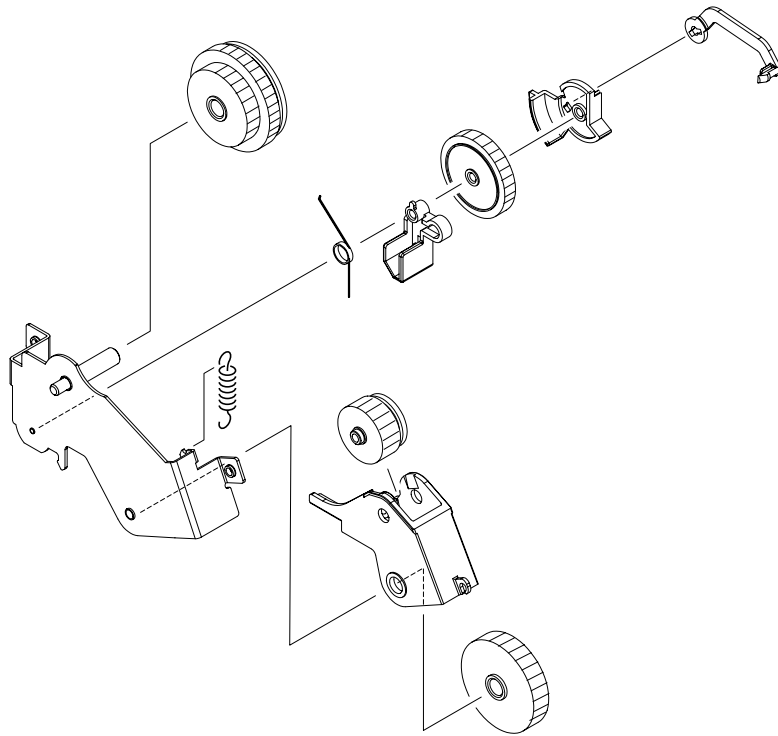


Figure 245. Duplexing pendulum assembly

Table 95. Duplexing pendulum assembly

Part number	Description	Reference
RM1-0002-000CN	Duplexing pendulum assembly	figure 245

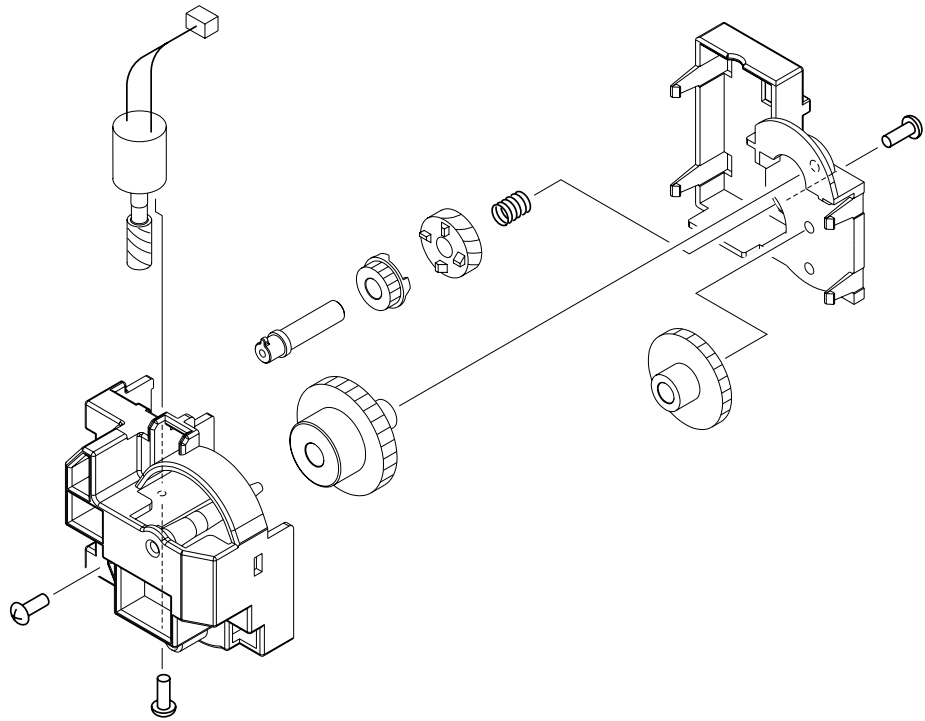


Figure 246. Tray 2 lifter driver assembly

Table 96. Tray 2 lifter driver assembly

Part number	Description	Reference
RM1-0033-000CN	Lifter-drive assembly, tray 2	figure 246

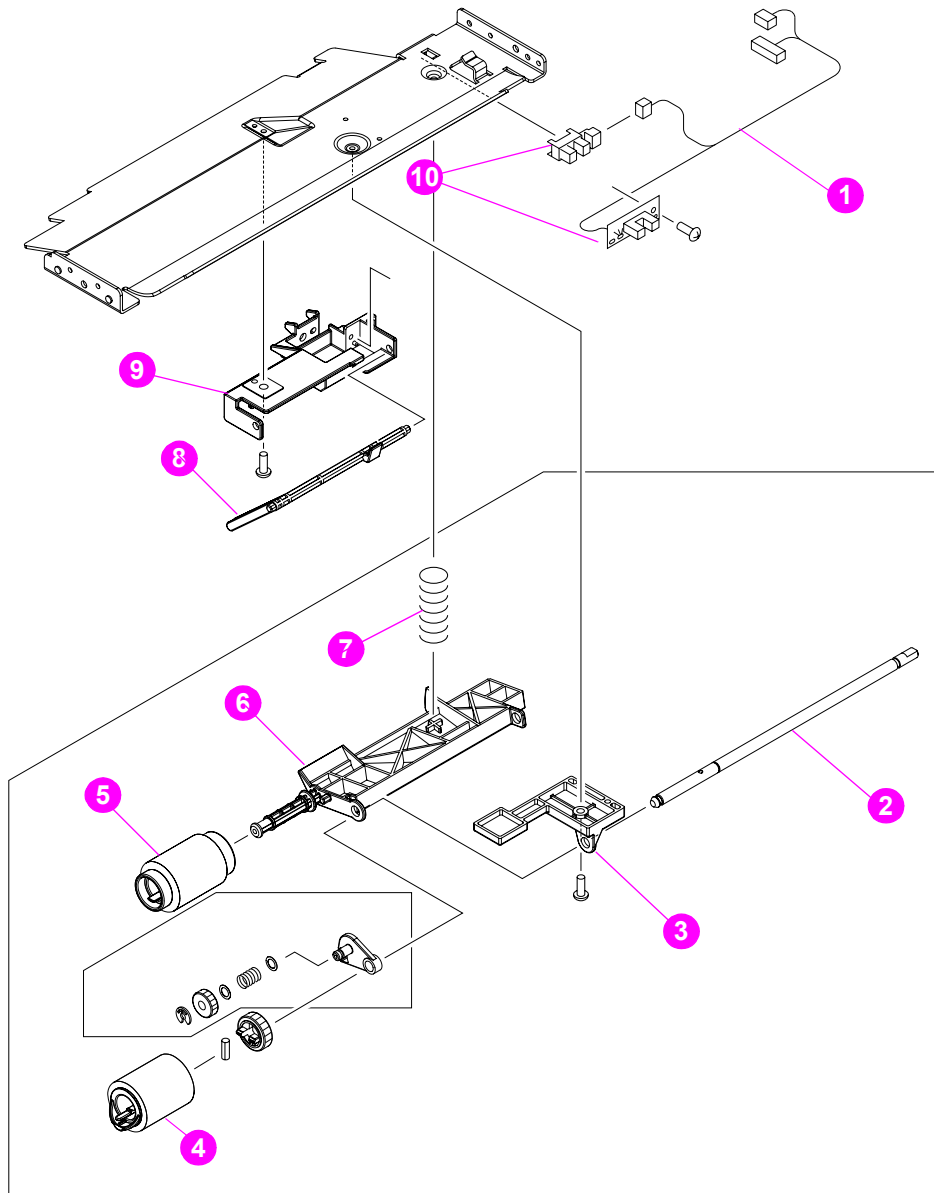


Figure 247. Paper pickup assembly

Table 97. Paper pickup assembly

Part number	Description	Reference
RG1-4221-000CN	Paper pickup sensor cable assembly (PS101 & PS107)	1; figure 247
RC1-0210-000CN	Shaft, feeder roller	2; figure 247
RC1-0212-000CN	Holder, paper pickup arm	3; figure 247
RM1-0037-000CN	Roller, paper-feed	4; figure 247
RM1-0036-000CN	Roller, paper-pickup	5; figure 247
RC1-0211-000CN	Arm, paper pickup	6; figure 247
RC1-0213-000CN	Spring, compression	7; figure 247
RC1-0209-000CN	Flag, paper sensing	8; figure 247
RC1-0208-000CN	Holder, paper sensor	9; figure 247
WG8-5362-000CN	Sensor, Tray 2 paper (PS101); paper stack (PS107)	10; figure 247

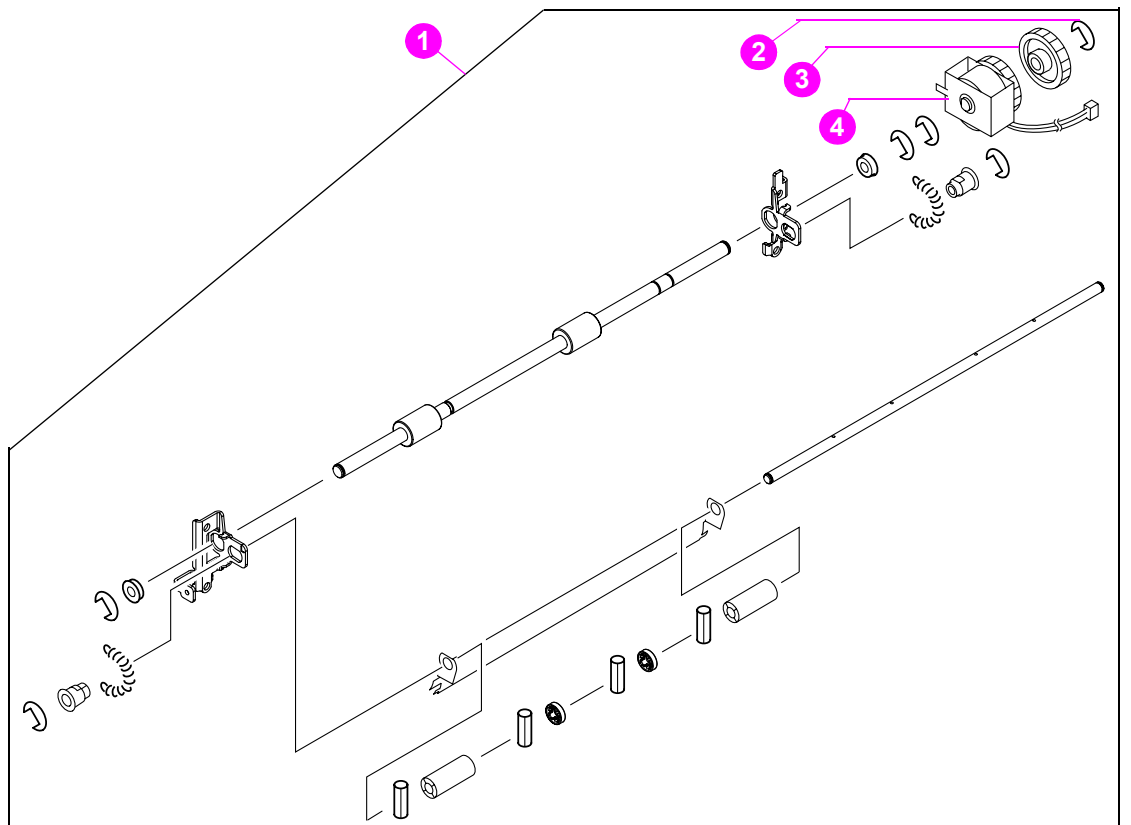


Figure 248. Paper-feed assembly

Table 98. Paper-feed assembly

Part number	Description	Reference
RM1-0012-000CN	Paper-feed assembly	1; figure 248
XD9-0137-000CN	Ring, E	2; figure 248
RU5-0050-000CN	Gear, 30T	3; figure 248
RH7-5358-000CN	Clutch, paper-feed assembly	4; figure 248

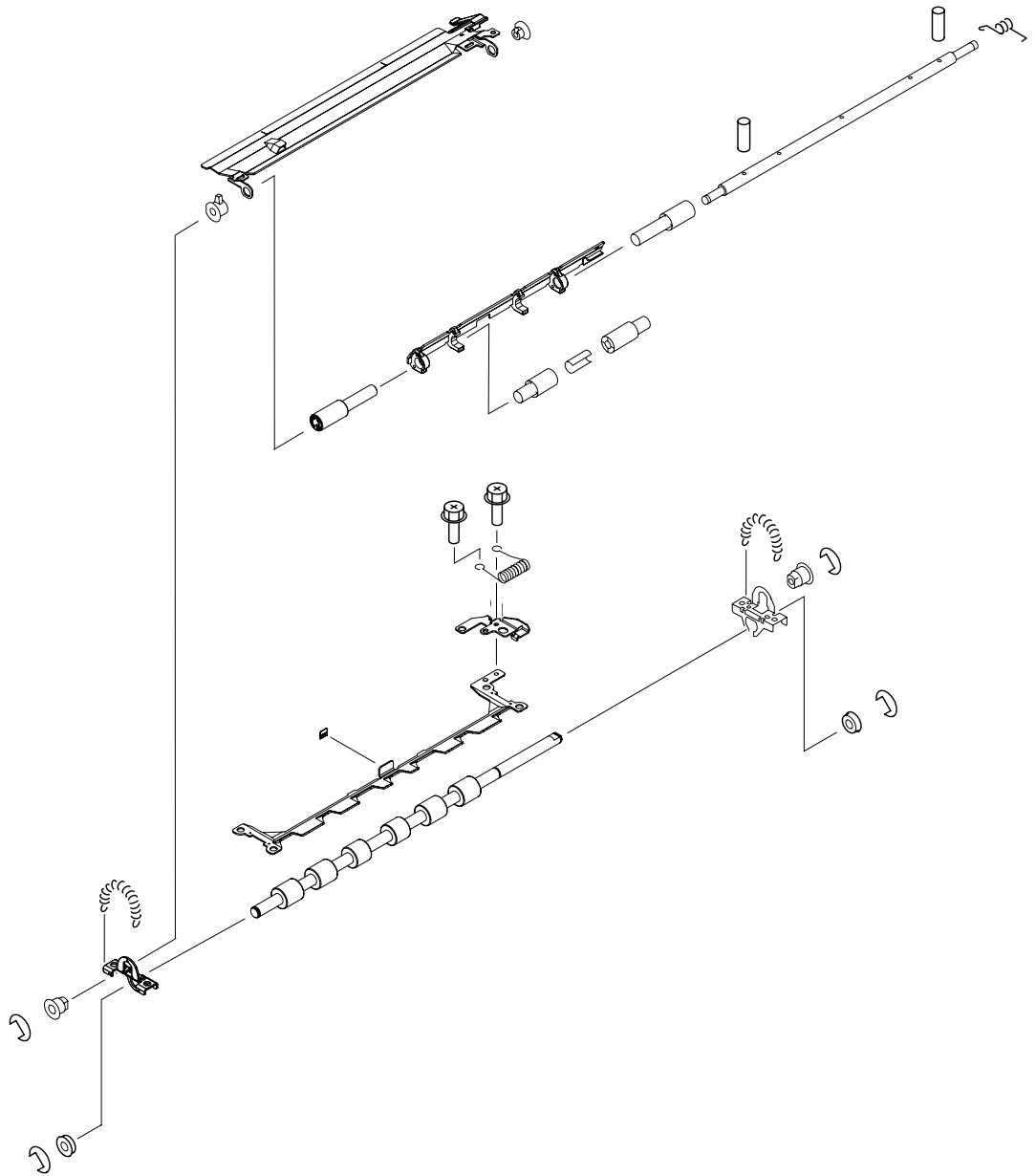


Figure 249. Registration assembly

Table 99. Registration assembly

Part number	Description	Reference
RM1-0011-000CN	Registration assembly	figure 249

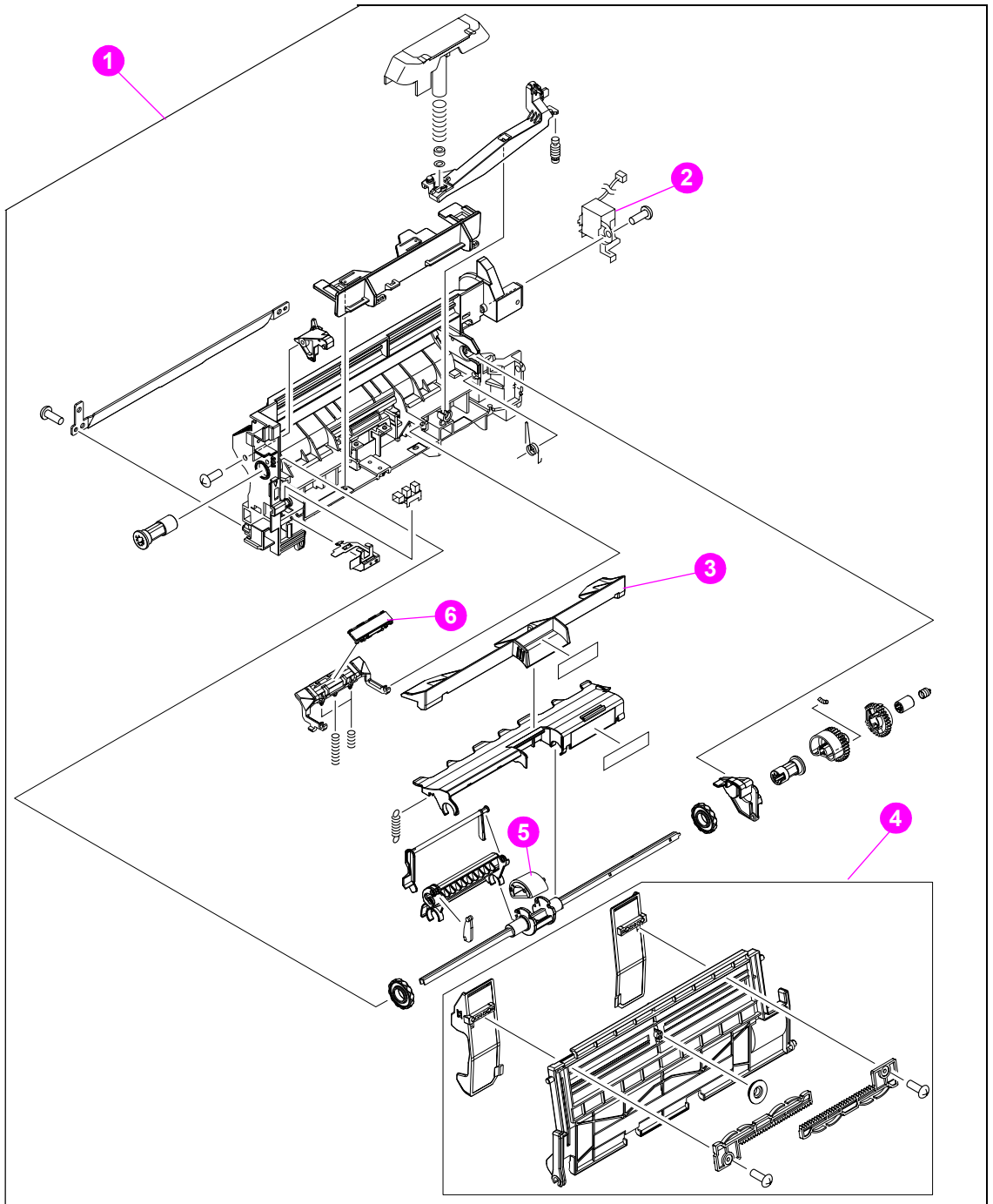


Figure 250.

Tray 1 assembly

Table 100. Tray 1 assembly

Part number	Description	Reference
RM1-0004-000CN	Tray 1 pickup assembly	1; figure 250
RH7-5357-000CN	Solenoid, tray 1 pickup	2; figure 250
RC1-0320-000CN	Cover, envelope feeder	3; figure 250
RM1-0005-000CN	Tray 1	4; figure 250
RL1-0019-000CN	Roller tray 1 pickup	5; figure 250
RL1-0007-000CN	Separation pad, tray 1	6; figure 250

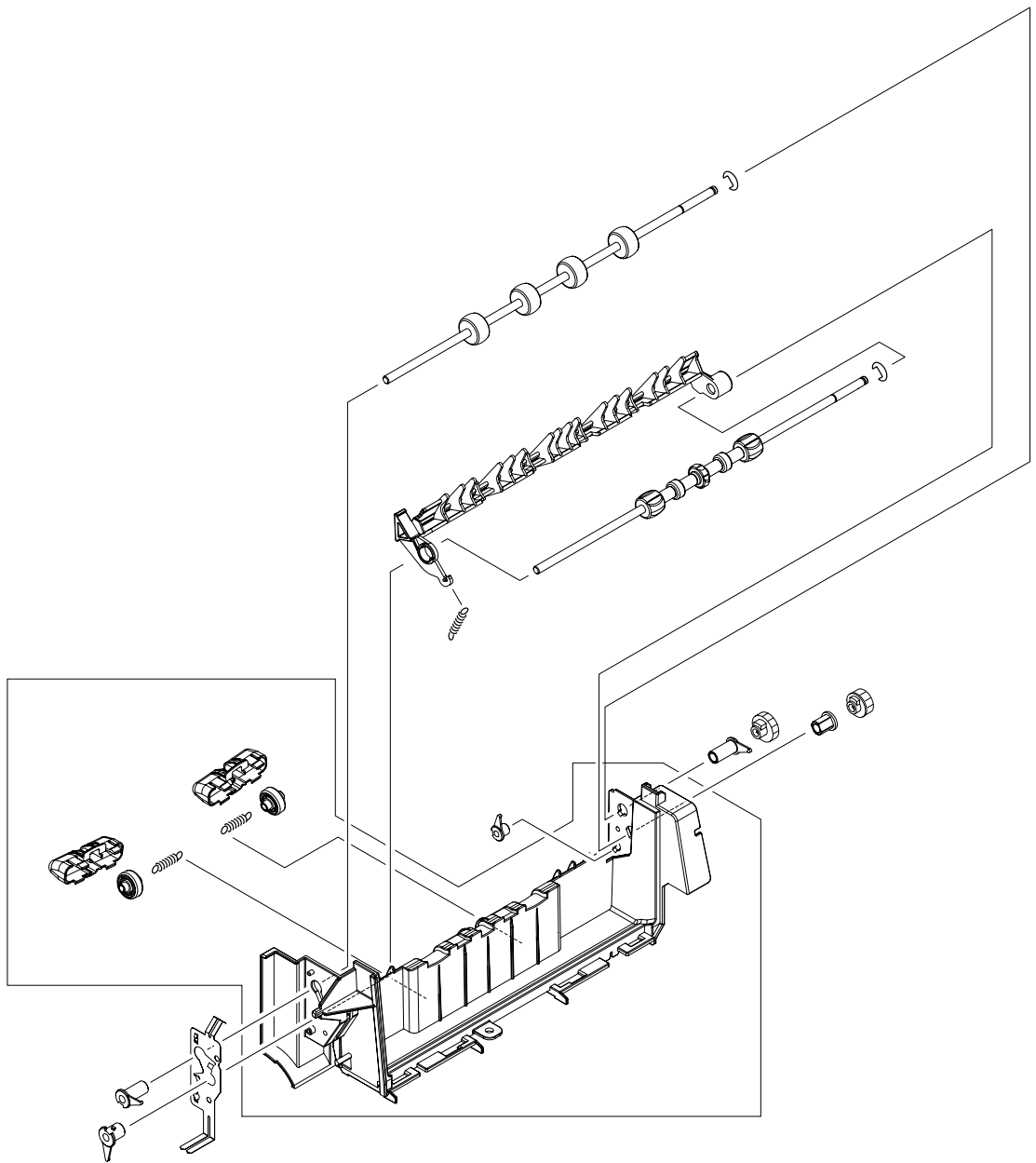


Figure 251.

Output delivery assembly

Table 101. Output delivery assembly

Part number	Description	Reference
RM1-0026-000CN	Output delivery assembly	figure 251

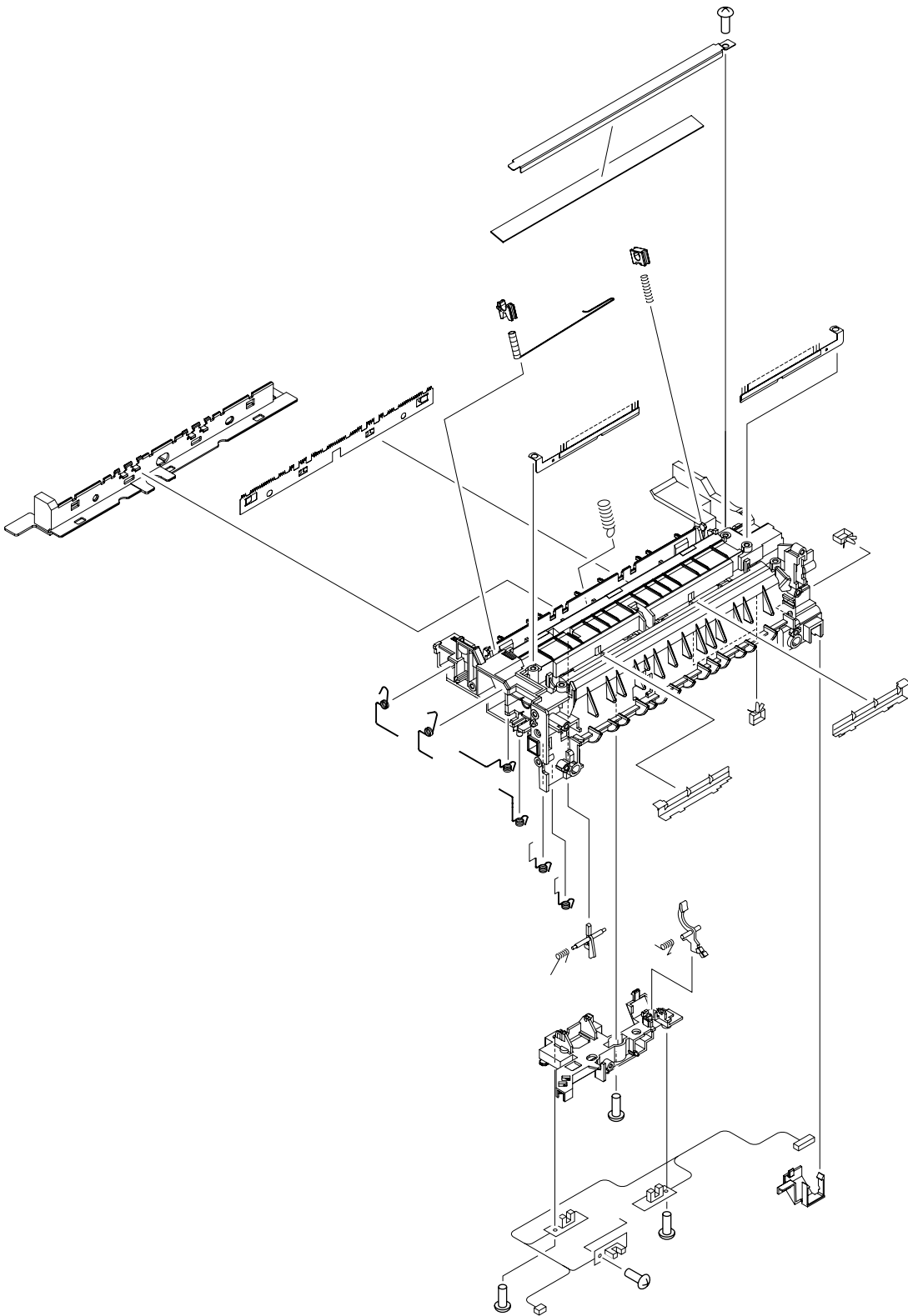


Figure 252. Transfer assembly

Table 102. Transfer assembly

Part number	Description	Reference
RM1-0007-000CN	Transfer assembly	figure 252

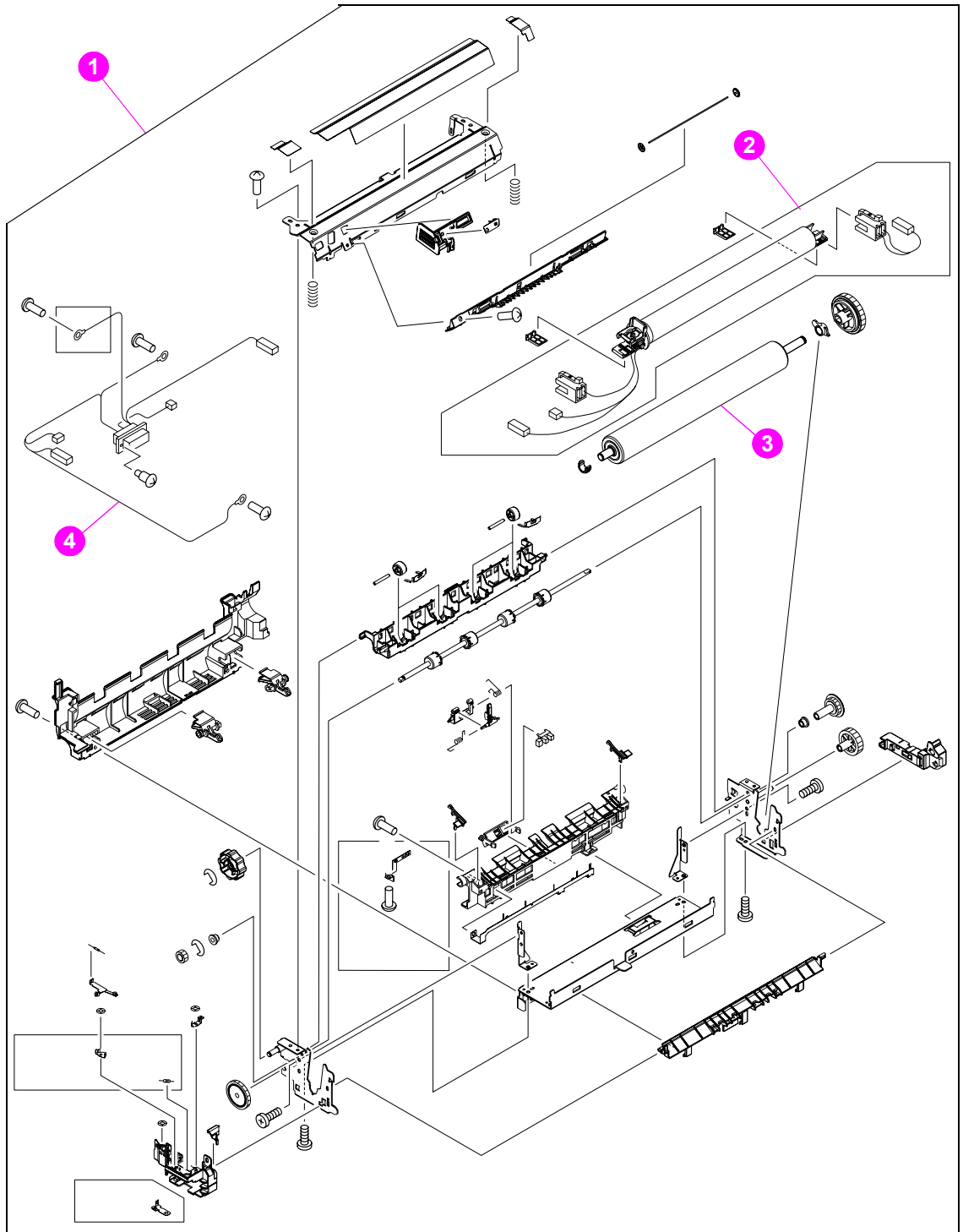


Figure 253. Fuser

Table 103. Fuser

Part number	Description	Reference
Q2425-69004 (exchange) RM1-0013-000CN (new)	Fuser, 110-V (LJ 4200)	1; figure 253
Q2425-69005 (exchange) RM1-0014-000CN (new)	Fuser, 220-V (LJ 4200)	1; figure 253
Q2431-69005 (exchange) RM1-0101-000CN (new)	Fuser, 110-V (LJ 4300)	1; figure 253
Q2431-69006 (exchange) RM1-0102-000CN (new)	Fuser, 220-V (LJ 4300)	1; figure 253
RM1-0015-000CN	Fixing film, 110-V (LJ 4200)	2; figure 253
RM1-0016-000CN	Fixing film, 220-V (LJ 4200)	2; figure 253
RM1-0103-000CN	Fixing film, 110-V (LJ 4300)	2; figure 253
RM1-0104-000CN	Fixing film, 220-V (LJ 4300)	2; figure 253
RC1-0070-000CN	Roller, fixing pressure	3; figure 253
RG1-4205-000CN	Cable, fuser (LJ 4200)	4; figure 253
RG1-4231-000CN	Cable, fuser (LJ 4300)	4; figure 253

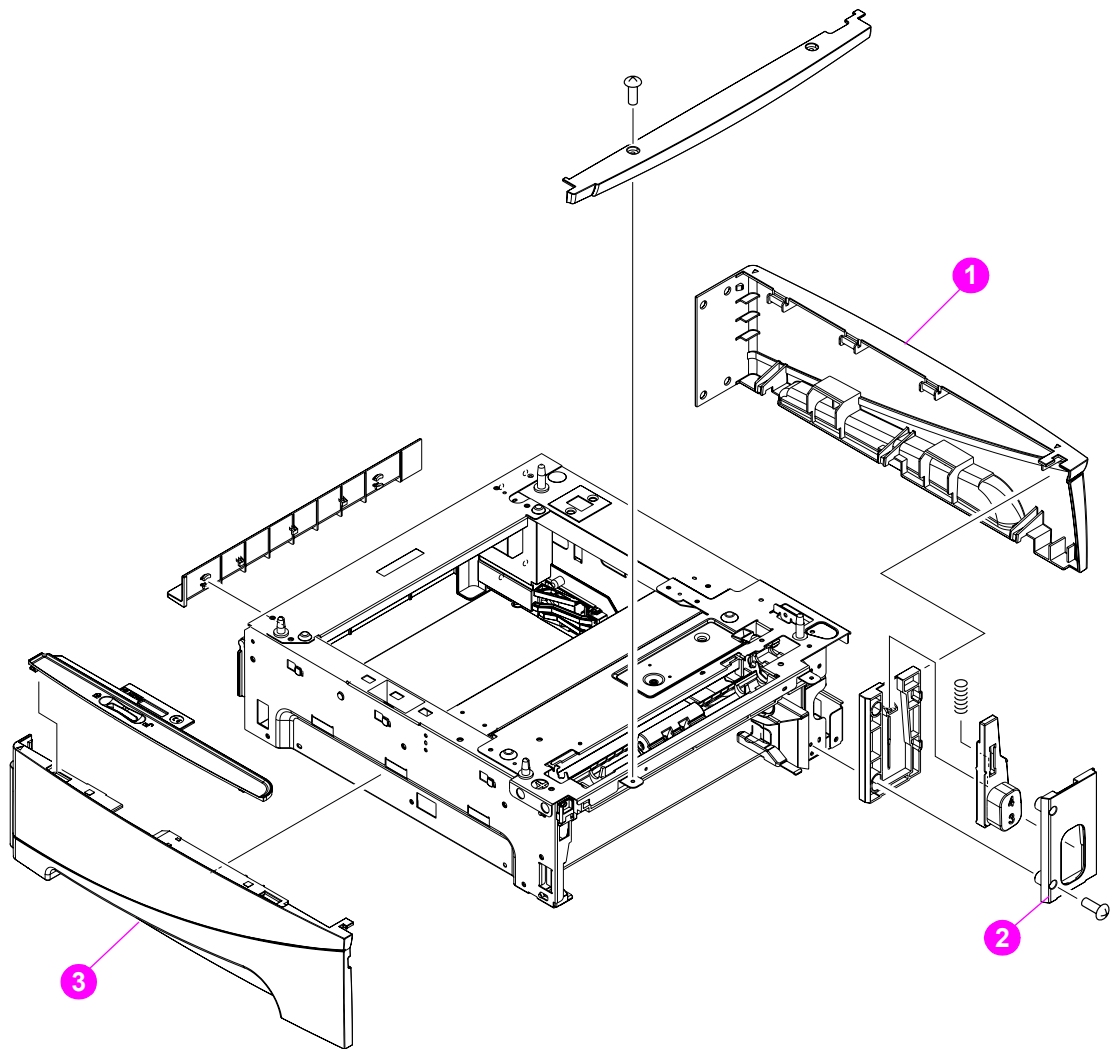


Figure 254. 500-sheet feeder external covers and panels

Table 104. 500-sheet feeder external covers and panels

Part number	Description	Reference
RC1-0488-000CN	Cover, right; 500-sheet feeder	1; figure 254
RC1-0500-000CN	Cover, number display panel; 500-sheet feeder	2; figure 254
RC1-0487-000CN	Cover, left; 500-sheet feeder	3; figure 254

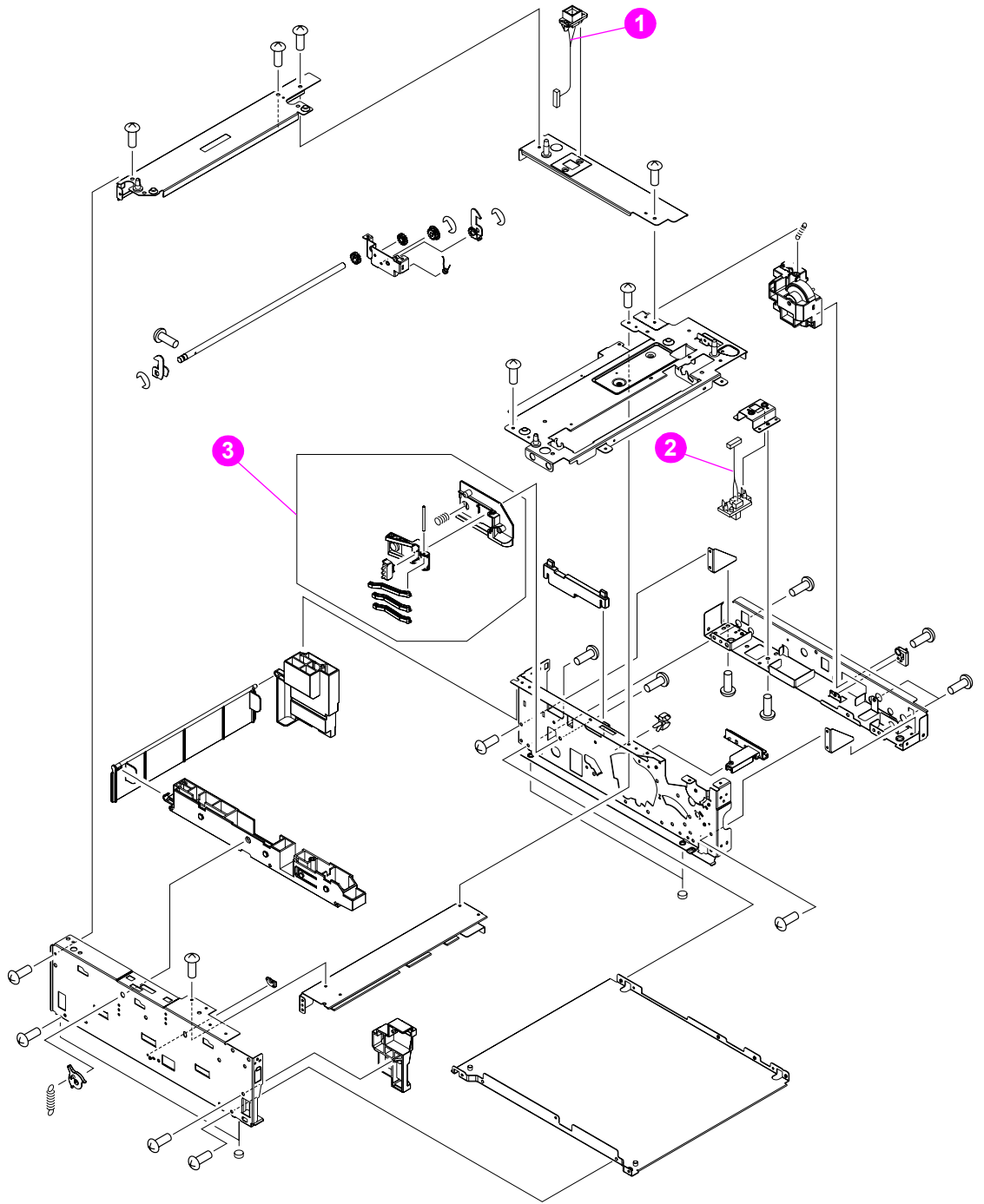


Figure 255. 500-sheet feeder main assemblies (1 of 2)

Table 105. 500-sheet feeder main assemblies (1 of 2)

Part number	Description	Reference
RG1-4201-000CN	Cable, interface upper	1; figure 255
RG1-4202-000CN	Cable, interface lower	2; figure 255
RM1-0041-000CN	Media size sensor assembly; 500-sheet feeder	3; figure 255

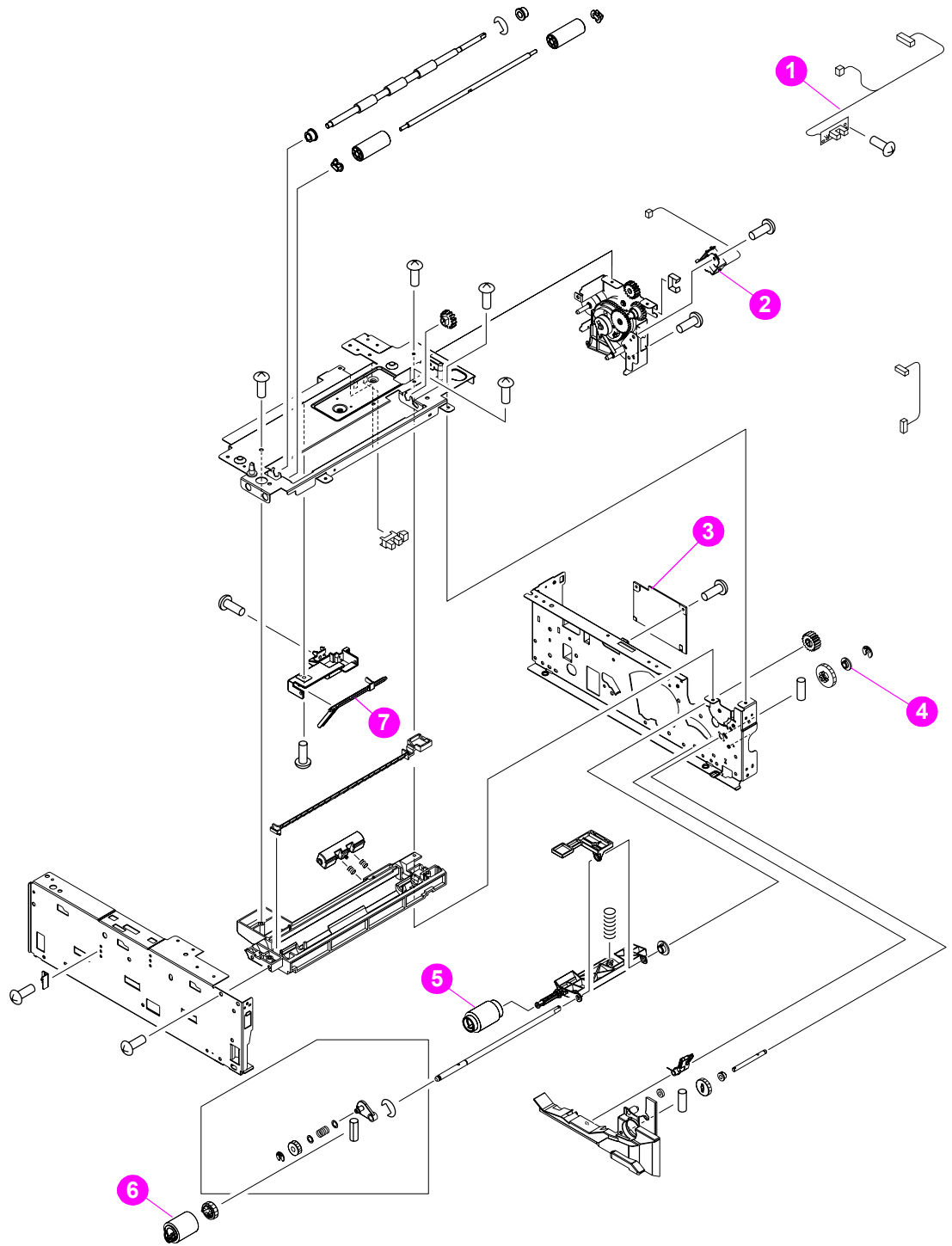


Figure 256. 500-sheet feeder main assemblies (2 of 2)

Table 106. 500-sheet feeder main assemblies (2 of 2)

Part number	Description	Reference
RG1-4250-000CN	Cable, sensor assembly	1; figure 256
RH7-5355-000CN	Solenoid, 500-sheet feeder	2; figure 256
RG1-4200-000CN	PCA, 500-sheet feeder control	3; figure 256
RC1-0206-000CN	Bushing, 500-sheet feeder	4; figure 256
RM1-0036-000CN	Roller, paper pickup; 500-sheet feeder	5; figure 256
RM1-0037-000CN	Roller, paper feed; 500-sheet feeder	6; figure 256
RC1-0209-000CN	Flag, paper sensing	7; figure 256

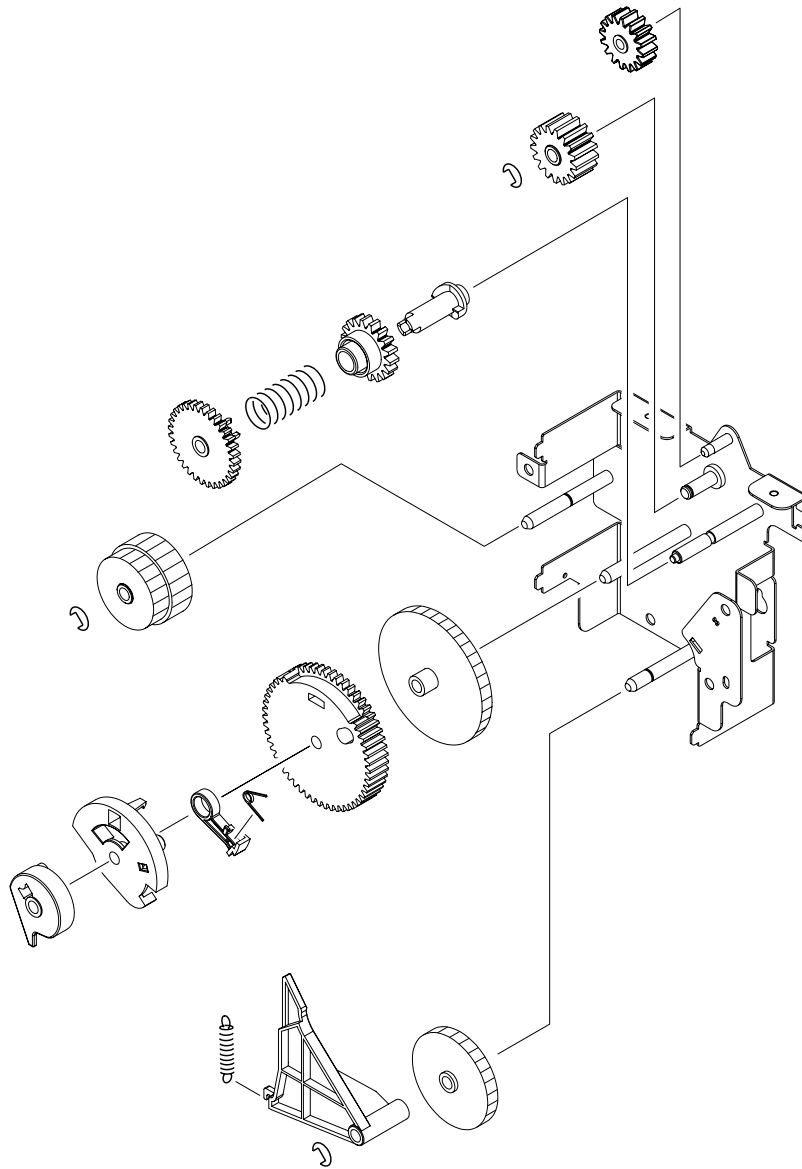


Figure 257. 500-sheet feeder paper-pickup drive assembly

Table 107. 500-sheet feeder paper-pickup drive assembly

Part number	Description	Reference
RM1-0056-000CN	Paper-pickup assembly; 500-sheet feeder	figure 257

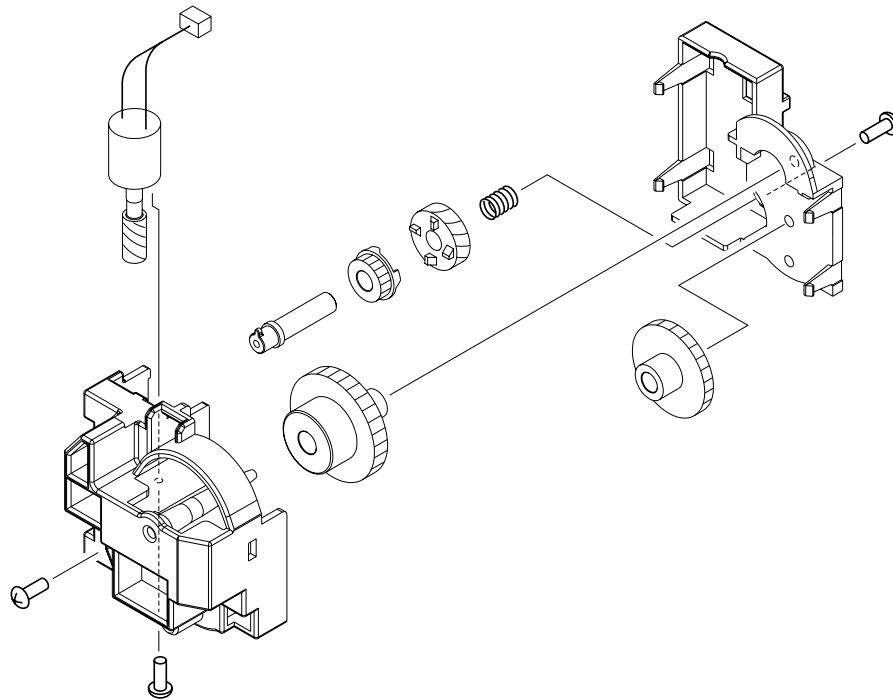


Figure 258. 500-sheet feeder lifter driver assembly

Table 108. 500-sheet feeder lifter driver assembly

Part number	Description	Reference
RM1-0208-000CN	Lifter-driver assembly; 500-sheet feeder	figure 258

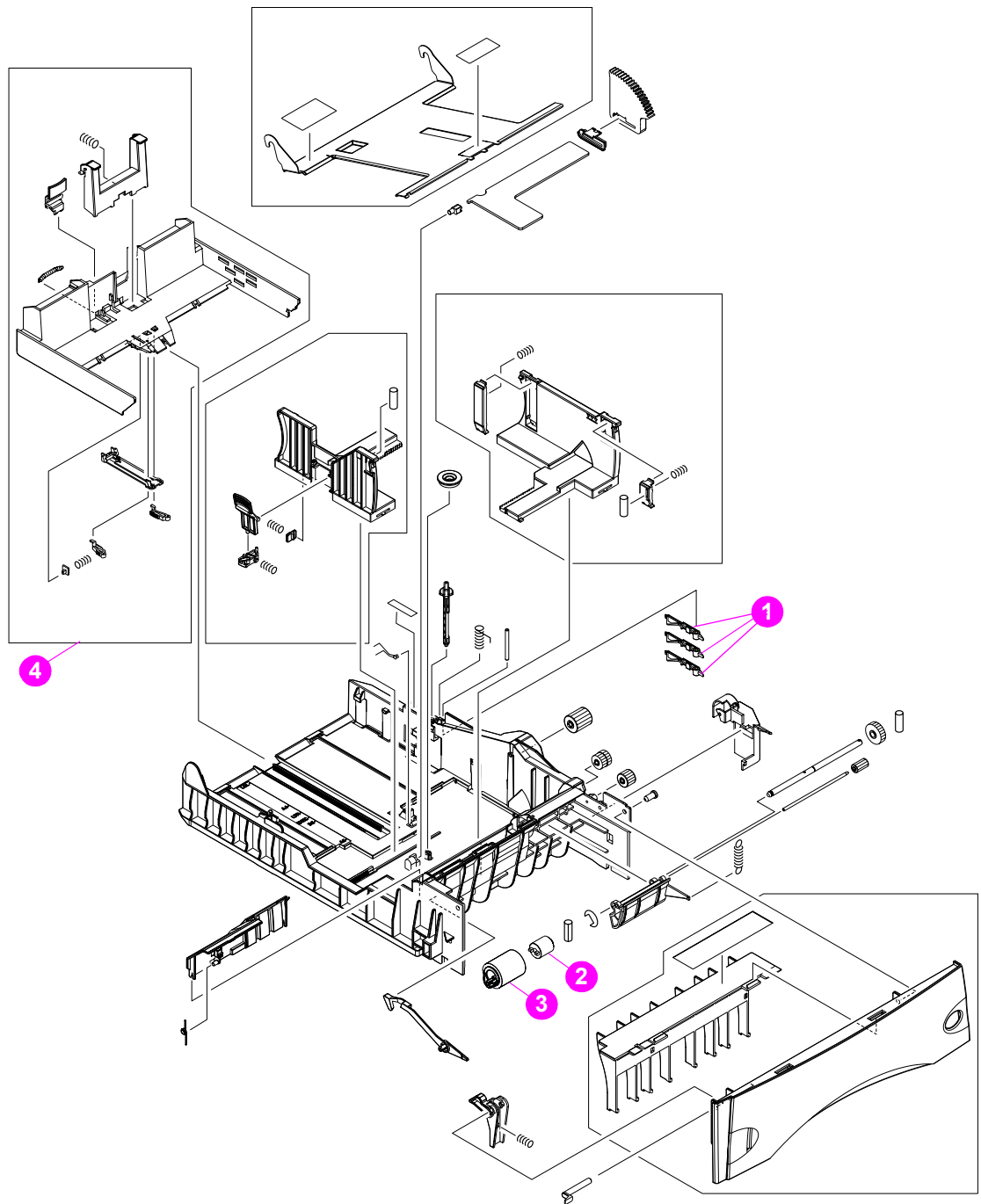


Figure 259.

500-sheet tray

Table 109. 500-sheet tray

Part number	Description	Reference
RC1-0161-000CN	Flag, paper size sensor; 500-sheet feeder	1; figure 259
RC1-0335-000CN	Torque limiter, 500-sheet feeder	2; figure 259
RM1-0037-000CN	Roller, separation; 500-sheet tray	3; figure 259
RM1-0030-000CN	Rear tray assembly; 500-sheet tray	4; figure 259

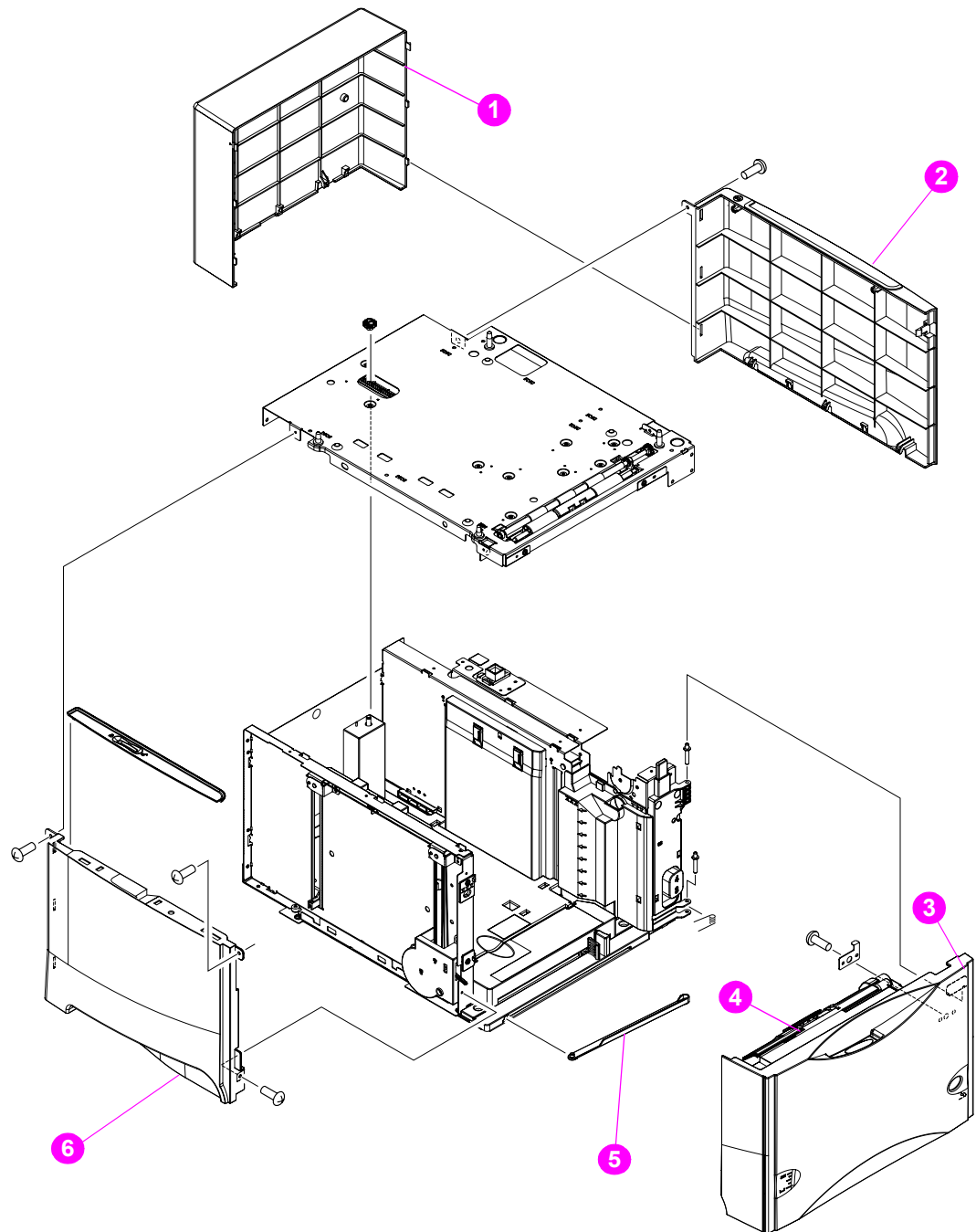


Figure 260. 1500-sheet feeder external covers and panels

Table 110. 1500-sheet feeder external covers and panels

Part number	Description	Reference
RC1-0663-000CN	Cover, rear; 1,500-sheet feeder	1; figure 260
RC1-0661-000CN	Cover, right; 1,500-sheet feeder	2; figure 260
RM1-0273-000CN	Cover, front (door assembly); 1,500-sheet feeder	3; figure 260
RM1-0037-000CN	Roller, paper feed; 1,500-sheet feeder	4; figure 260
RC1-0714-000CN	Arm, front cover stop; 1,500-sheet feeder	5; figure 260
RC1-0662-000CN	Cover, left; 1,500-sheet feeder	6; figure 260

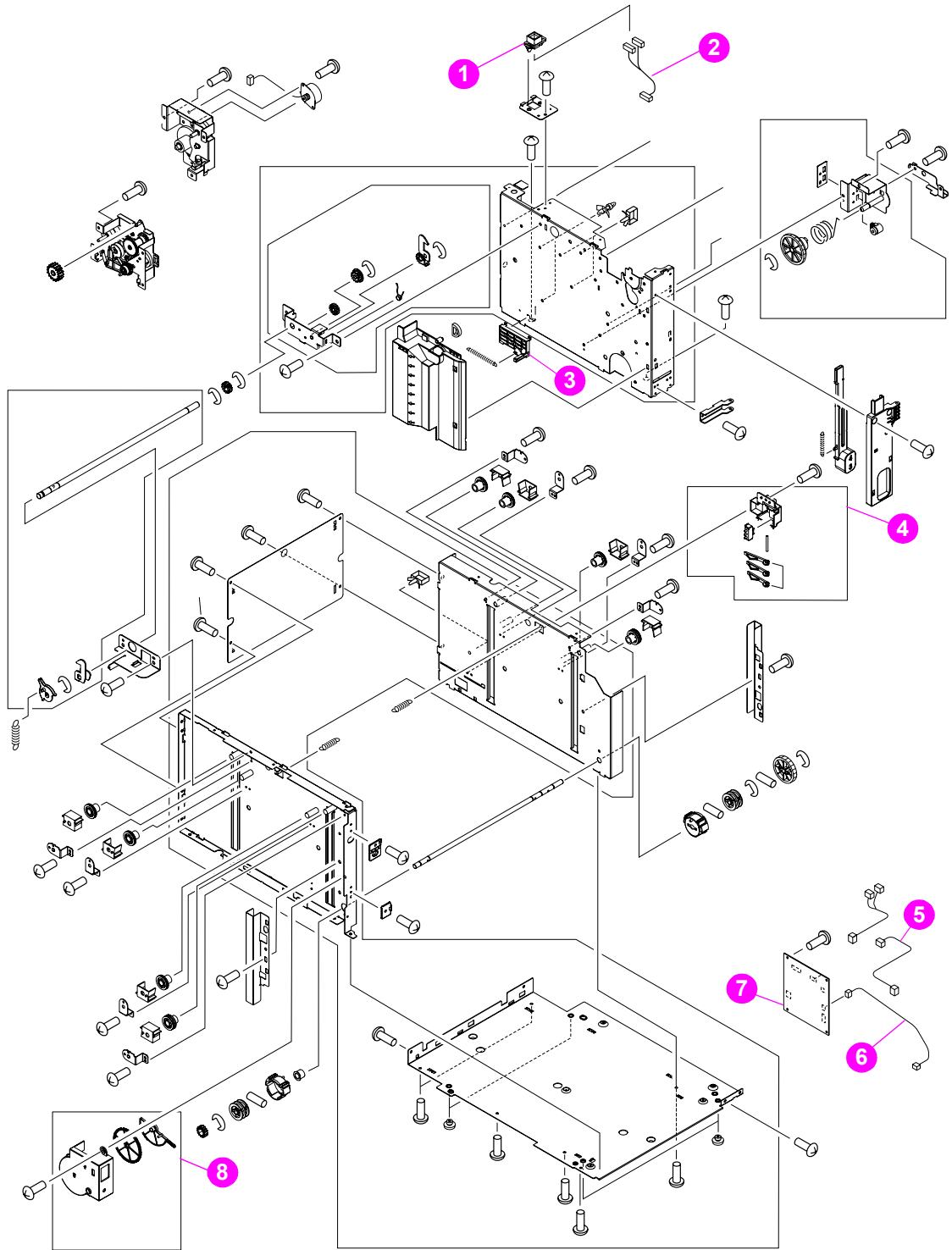


Figure 261. 1,500-sheet feeder main assemblies

Table 111. 1,500-sheet feeder main assemblies

Part number	Description	Reference
VS1-6175-006CN	Connector, interface; 1,500-sheet feeder	1; figure 261
RG1-4239-000CN	Cable, interface; 1,500-sheet feeder	2; figure 261
RC1-0748-000CN	Media size sensor (inside), 1,500-sheet feeder	3; figure 261
RM1-0294-000CN	Paper size sensing assembly (outside), 1,500-sheet feeder	4; figure 261
RG1-4240-000CN	Cable, media size sensor; 1,500-sheet feeder	5; figure 261
RG1-4241-000CN	Cable, door sensor; 1,500-sheet feeder	6; figure 261
RG1-4238-000CN	PCA, 1,500-sheet feeder control	7; figure 261
RM1-0286-000CN	Sensor gear assembly, 1,500-sheet feeder	8; figure 261

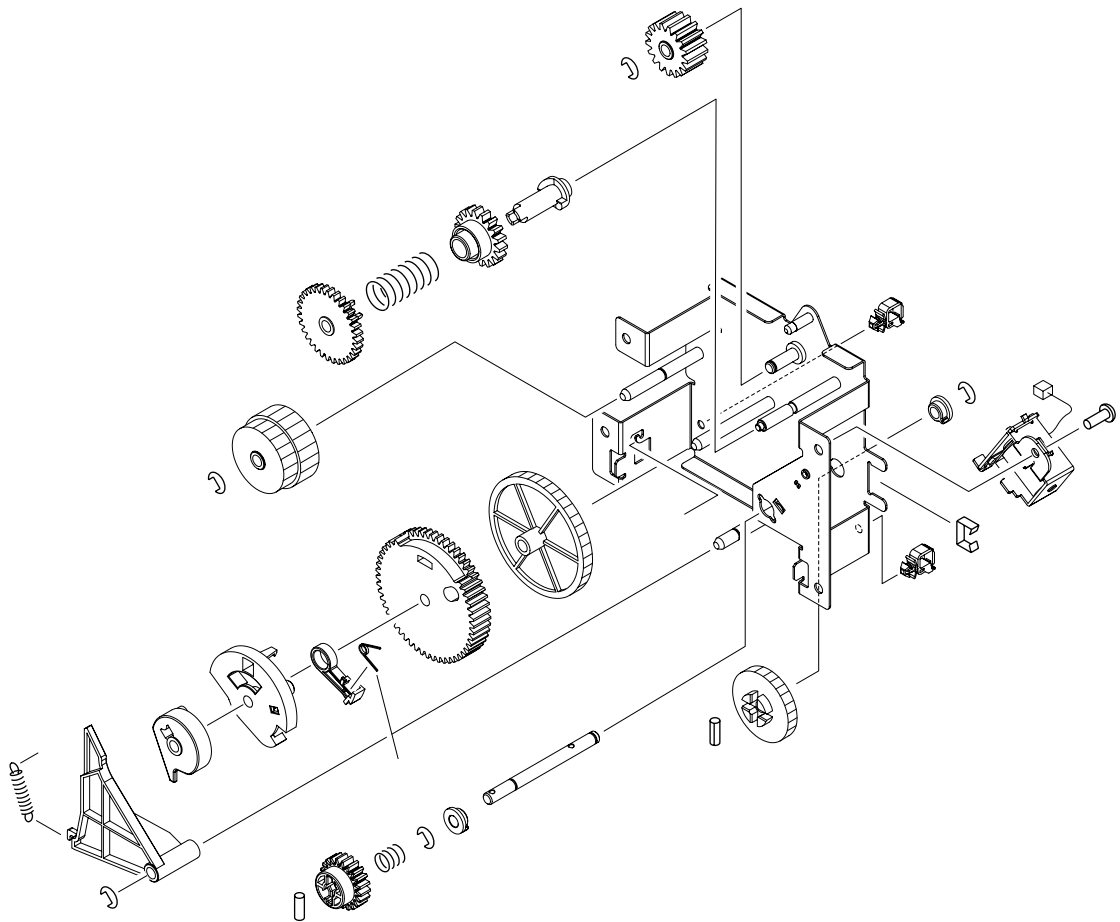


Figure 262.

1,500-sheet feeder paper-pickup drive assembly

Table 112. 1,500-sheet feeder paper-pickup drive assembly

Part number	Description	Reference
RM1-0283-000CN	Paper-pickup drive assembly, 1,500-sheet feeder	figure 262

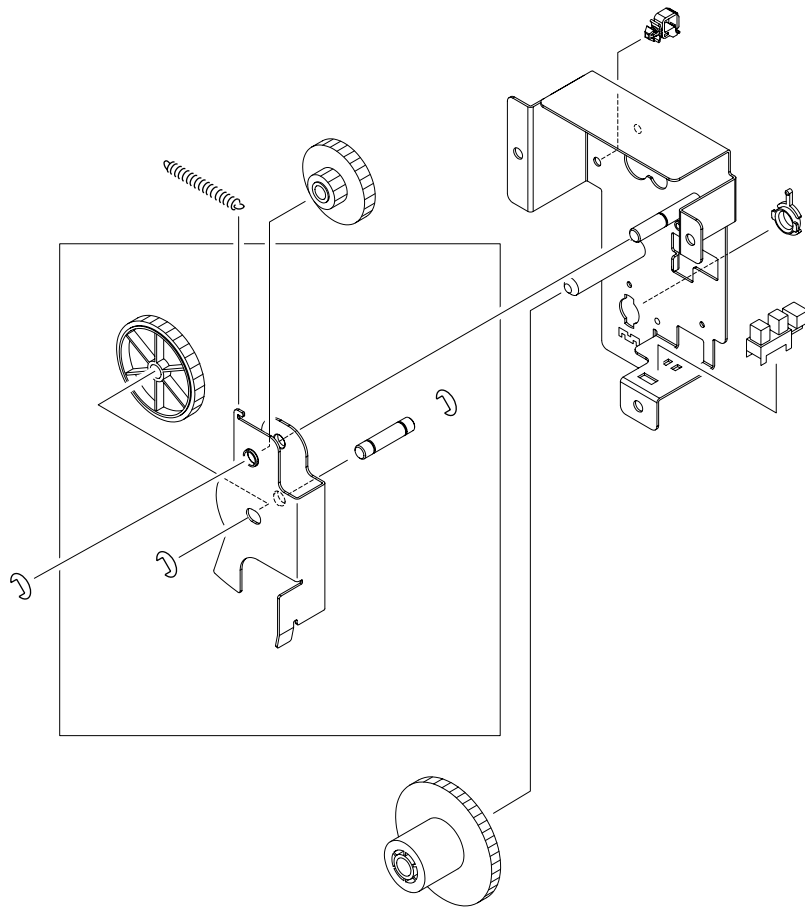


Figure 263. 1,500-sheet feeder lifter-drive assembly

Table 113. 1,500-sheet feeder lifter-drive assembly

Part number	Description	Reference
RM1-0287-000CN	Lifter-drive assembly, 1,500-sheet feeder	figure 263

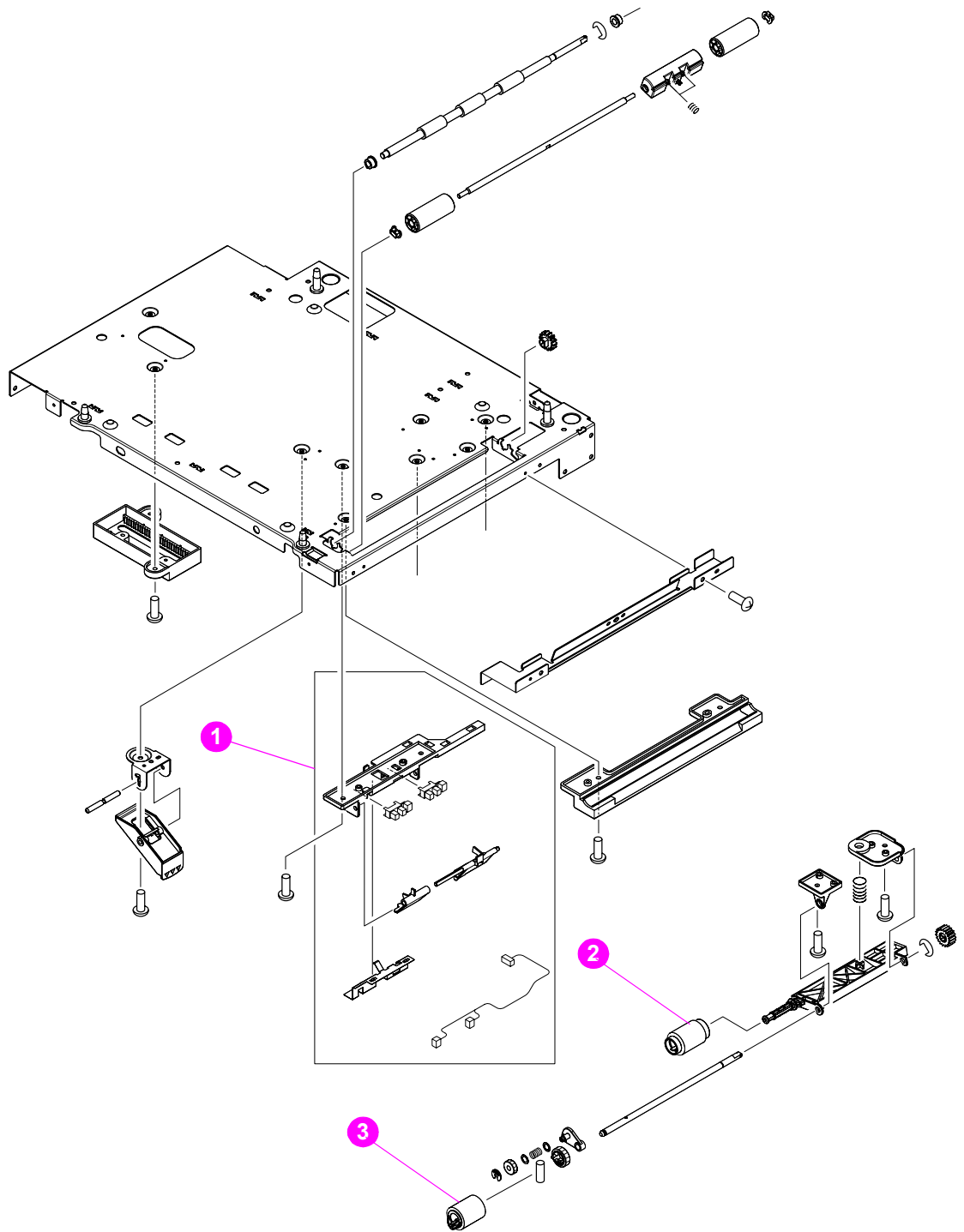


Figure 264. 1,500-sheet feeder paper-pickup assembly

Table 114. 1,500-sheet feeder paper-pickup assembly

Part number	Description	Reference
RM1-0285-000CN	Paper sensor assembly, 1,500-sheet feeder	1; figure 264
RM1-0036-000CN	Roller, pickup; 1,500-sheet feeder	2; figure 264
RM1-0037-000CN	Roller, feed; 1,500-sheet feeder	3; figure 264

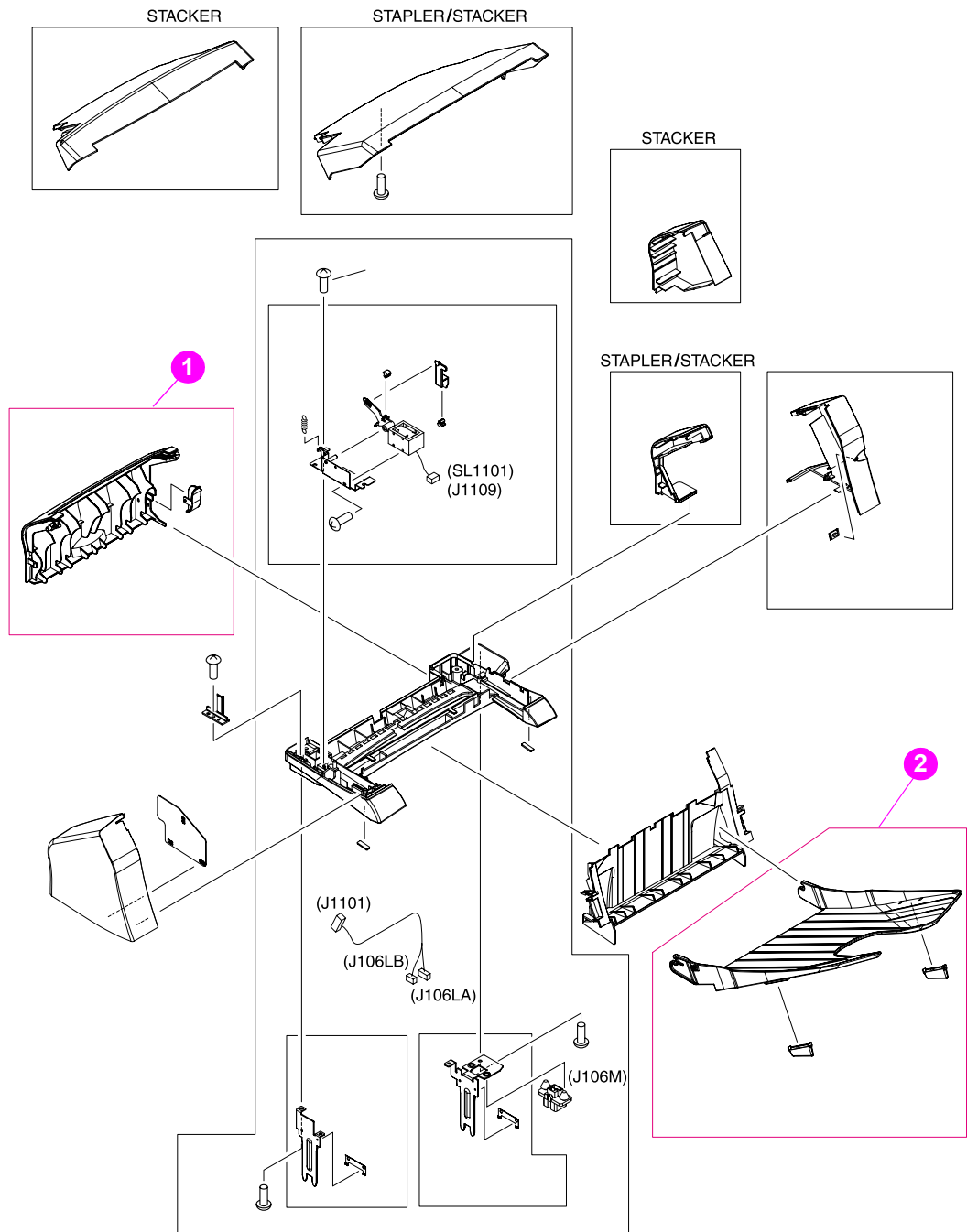


Figure 265. Stacker and stapler/stacker

Table 115. Stacker and stapler/stacker

Part number	Description	Reference
Q2443-67901	Cover, rear stacker and stapler/stacker	1; figure 265
Q2443-67902	Paper delivery tray assembly, stacker and stapler/stacker	2; figure 265

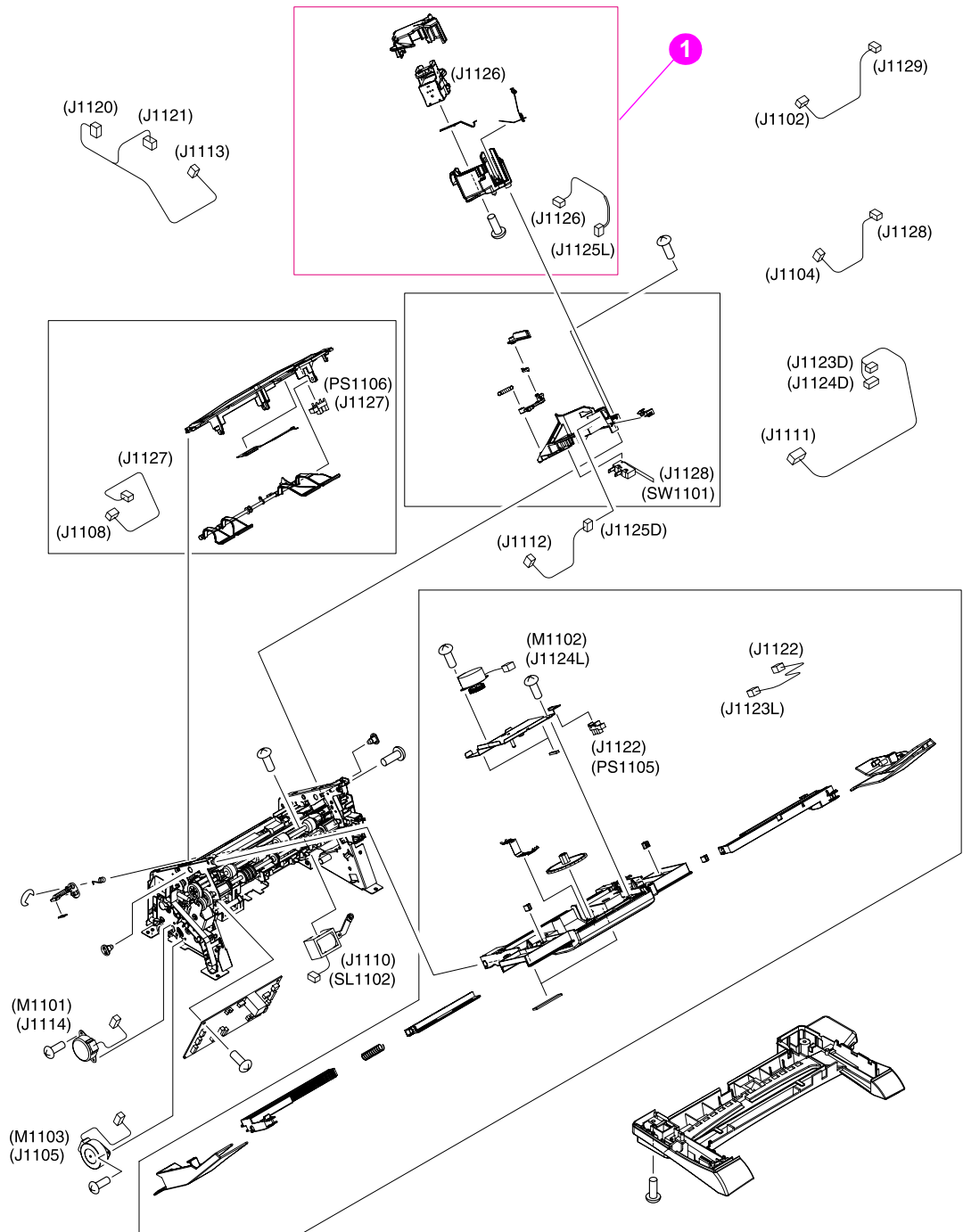


Figure 266. Stacker and stapler/stacker

Table 116. Stacker and stapler/stacker

Part number	Description	Reference
Q2443-67903	Staple module (stapler/stacker only)	1; figure 265
Q3216-60500	Staple cartridge stapler/stacker only)	not shown