
7. Parts Catalog

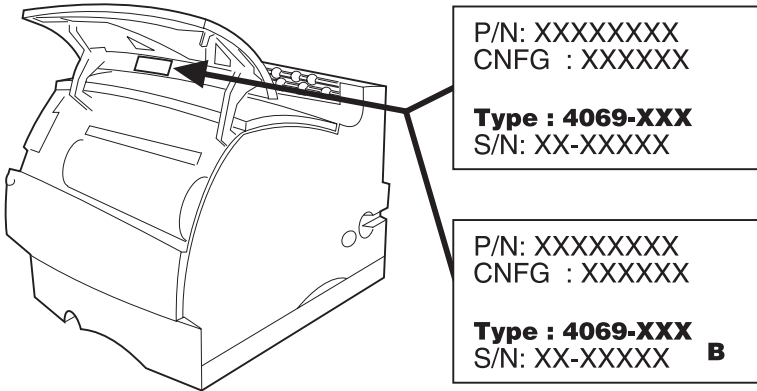
How To Use This Parts Catalog

- **SIMILAR ASSEMBLIES:** If two assemblies contain a majority of identical parts, they are shown on the same list. Common parts are shown by one index number. Parts peculiar to one or the other of the assemblies are listed separately and identified by description.
- **AR: (As Required)** in the Units column indicates that the quantity is not the same for all machines.
- **CC: (Color Code)** in the Description column indicates the part is identified by a color marking on the part.
- **NS: (Not Shown)** in the Asm-Index column indicates that the part is procurable but is not pictured in the illustration.
- **PP: (Parts Packet)** in the Description column indicates the part is contained in a parts packet.

4069-XXX

Printer Serial Label

Look at the printer serial label to identify the printer you are working on. There are two service levels of Optra T printers. Some printers are at a service level B as indicated by the B on the label.



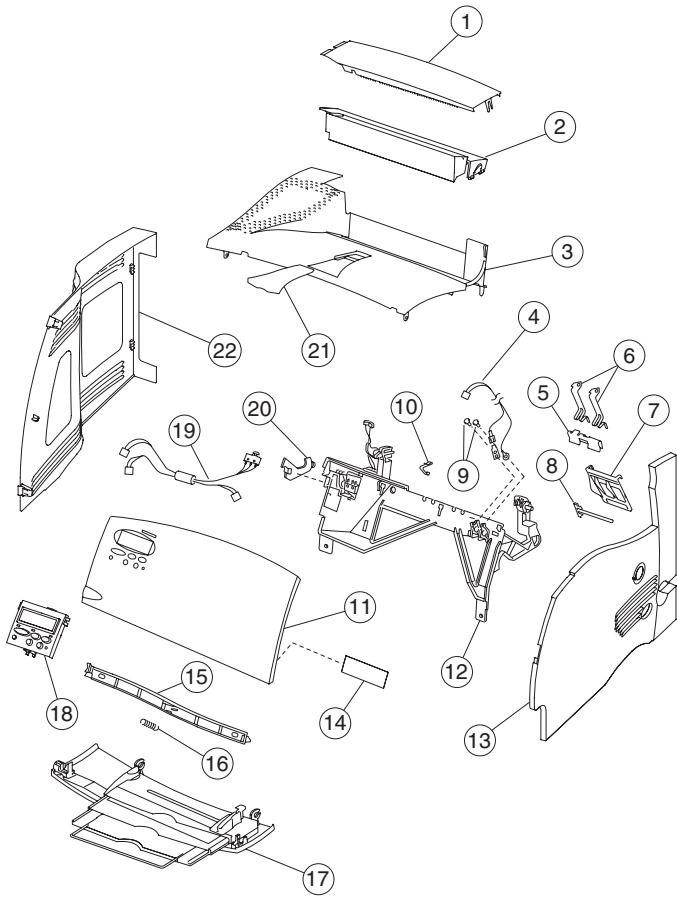
4069-XXX

Use the Model Name/Type table to identify model specific replacement FRUs. The parts catalog uses the **Type** last three digits to identify model specific FRUs.

| Model Name | Type |
|-------------------|-------------|
| Optra T 610 | 4069-010 |
| Optra T 610n | 4069-01n |
| Optra T 612 | 4069-212 |
| Optra T 612n | 4069-21n |
| Optra T 614 | 4069-414 |
| Optra T 614 | 4069-41b |
| Optra T 614n | 4069-41e |
| Optra T 614nl | 4069-41l |
| Optra T 614n | 4069-41n |
| Optra T 616 | 4069-616 |
| Optra T 616n | 4069-61n |
| Optra T 23v | 4069-23v |
| Optra T 23e | 4069-23e |

4069-XXX

Assembly 1: Covers

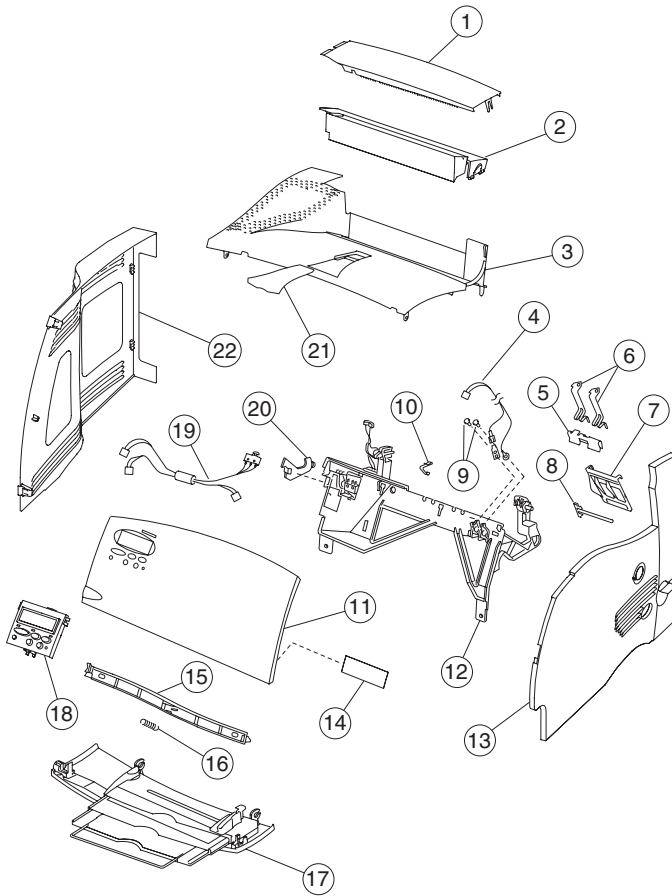


4069-XXX

| Asm-Index | Part Number | Units | Description |
|------------------|--------------------|--------------|---|
| 1-1 | 99A1512 | 1 | Cover Assembly, Redrive Cap |
| 1-2 | 99A1508 | 1 | Cover, Fuser Wick Assembly |
| 1-3 | 99A1506 | 1 | Cover Asm, Laser Assembly 010/212/23v/23e |
| 1-3 | 99A1507 | 1 | Cover Asm, Laser 500 Output 414/616/41b/41e/41l |
| NS | | 6 | Screw, Laser Cover PP 99A0263 |
| 1-4 | 99A1593 | 1 | Cable, Smart Cartridge |
| 1-5 | 99A0816 | 1 | Contact, Smart Cartridge Ground |
| 1-6 | 99A0815 | 2 | Contact, Smart Cartridge |
| 1-7 | 99A1595 | 1 | Cover, Smart Cartridge Contact |
| 1-8 | 99A0834 | 1 | Plunger, Overstress Smart Cartridge |
| 1-9 | | 2 | Screws, Contact Mounting PP 99A0263 |
| 1-10 | 99A1524 | 1 | Cartridge Load Spring |
| 1-11 | 99A1775 | 1 | Kit, Upper Front Cover with Labels |
| NS | | 5 | Screw, Upper Front Cvr Mtg PP 99A0263 |
| 1-12 | 99A1503 | 1 | Hinge, Upper Front Cover |
| 1-13 | 99A1504 | 1 | Cover, Right Side 010/212/23v/23e |
| 1-13 | 99A1505 | 1 | Cover, Right Side 414/616/41b/41e/41l |
| NS | | 3 | Screw, Right Side Cvr Mtg PP 99A0263 |

4069-XXX

Assembly 1: Covers (continued)

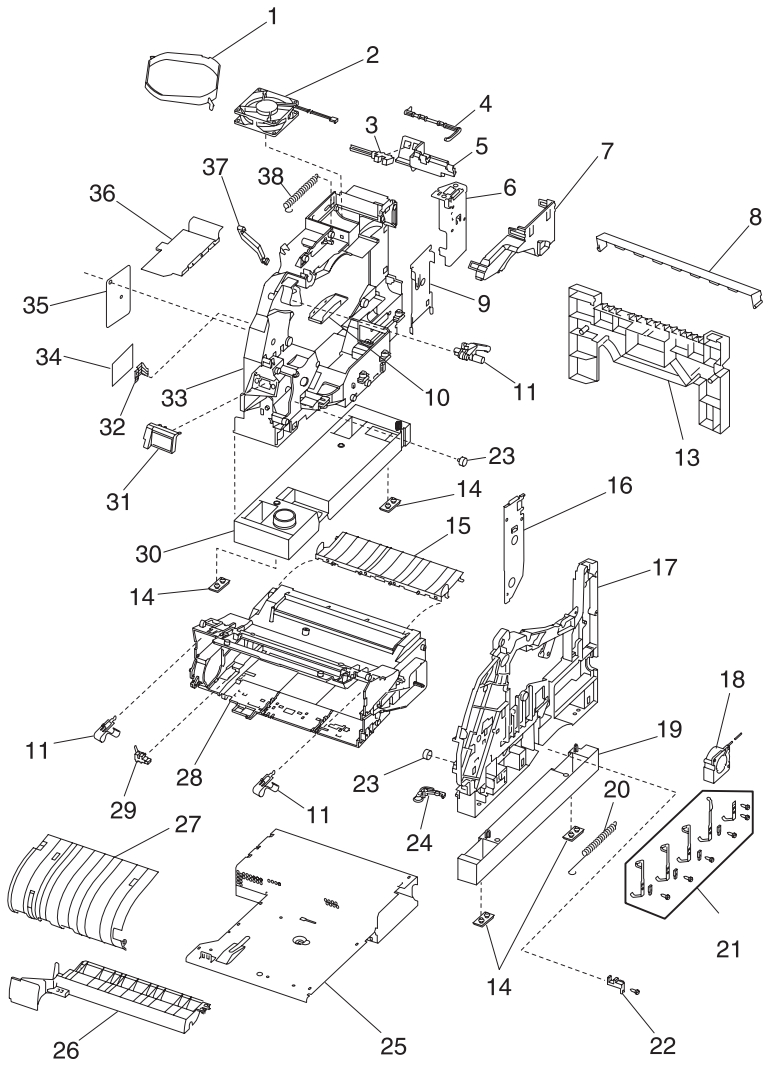


4069-XXX

| Asm-Index | Part Number | Units | Description |
|------------------|--------------------|--------------|--|
| 1-14 | 99A0007 | 1 | Label, TLI/ID/Serial No. - Blank |
| 1-15 | 99A1502 | 1 | Latch, Upper Cover |
| 1-16 | 99A0004 | 1 | Spring, Latch |
| 1-17 | 99A1511 | 1 | Cover Assembly, Lower Front |
| 1-18 | 99A1501 | 1 | Operator Panel Assembly |
| 1-19 | 99A1577 | 1 | Switch, Cover Open w/Operator Panel Cable Assembly |
| 1-20 | 99A1594 | 1 | Retainer, Cable |
| 1-21 | 99A1587 | 1 | Support, Paper |
| NS | | 5 | Screw, Left Side Cvr Mtg PP 99A0263 |
| 1-22 | 99A1509 | 1 | Cover, Left Door 010/23v/23e |
| 1-22 | 99A1510 | 1 | Cover, Left Door 414/616/212/41b/41e/41l |
| NS | 99A0577 | 1 | Cable Tie |

4069-XXX

Assembly 2: Frame

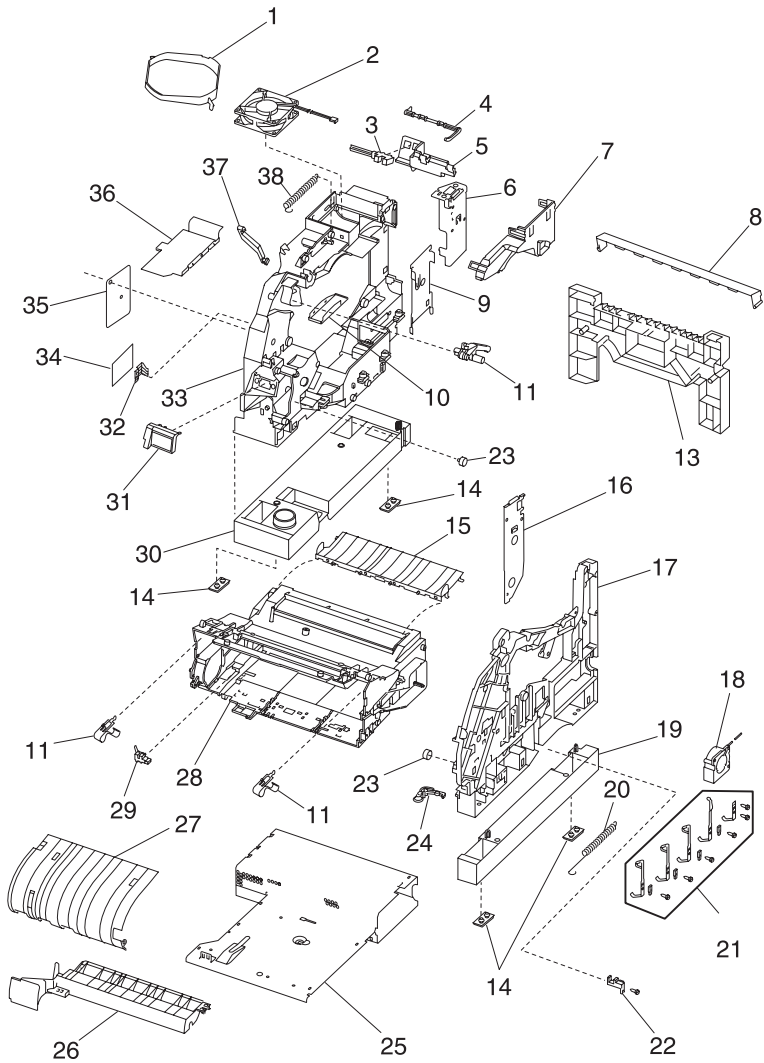


4069-XXX

| Asm-Index | Part Number | Units | Description |
|------------------|--------------------|--------------|---|
| 2-1 | 99A1643 | 1 | Shroud, Fan 250 010/01n/23v/23e |
| 2-1 | 99A1592 | 1 | Shroud, Fan 500 212/414/616/41b/41e/41l/21n/61n |
| 2-2 | 99A0803 | 1 | Fan, Main |
| 2-3 | 99A0138 | 1 | Sensor, Standard Bin Level 212/414/616/41b/41e/41l/21n/61n/23v/23e |
| 2-4 | 99A1580 | 1 | Flag, Output Paper Level 414/616/41b/41e/41l/61n |
| 2-4 | 99A1613 | 1 | Flag, Output Paper Level 212/21n/23v/23e |
| 2-5 | 99A1879 | 1 | Bracket, Level Sensor 212/414/616/21n/41b/41e/41l/61n |
| 2-6 | 99A1515 | 1 | Duct, 250 Left Stacker 010/212/01n/21n/23v/23e |
| 2-6 | 99A1516 | 1 | Duct, 500 Left Stacker 414/616/41b/41e/41l/61n |
| 2-7 | 99A0867 | 1 | Duct, Main Body |
| 2-8 | 99A1832 | 1 | Guide, Extension 500 Input 212/414/616/41b/41e/41l |
| 2-9 | 99A1662 | 1 | Support, Left Lower Stacker |
| 2-10 | 99A0113 | 1 | Pan, Drip ITC |
| 2-11 | 99A1924 | 2 | Spring, Cartridge Hold Down |
| 2-13 | 99A1519 | 1 | Extension, 500 Input 212/414/616/41b/41l/41e/21n/61n |
| 2-14 | 99A0058 | 4 | Pad, Machine Mounting |
| 2-15 | 99A1588 | 1 | Transfer Plate Assembly |
| 2-16 | 99A1663 | 1 | Support, Right Stacker Plate 0ln/0l0/212/2ln |
| 2-16 | 99A1968 | 1 | Support, Right Stacker Plate 4l4/4lb/4lc/4lL/6l6/6ln |
| 2-17 | 99A1535 | 1 | Right Sideframe |
| 2-18 | 99A0049 | 1 | Fan, Auxiliary 616/61n |
| 2-19 | 99A1518 | 1 | Frame Extension, Right 500 Internal 212/414/616/21n/61n/41b/41e/41l |
| 2-20 | 99A0028 | 1 | Spring, Tray Bias |
| 2-21 | | 1 | Contact Kit PP 99A0585 |
| | | 3 | o Contact, Doctor Blade/TAR/Developer Roll |
| | | 1 | o Contact, PC Drum |
| | | 1 | o Contact, Charge Roll |
| | | 4 | o Block, Contact Mounting |
| | | 5 | o Screw, Contact Mounting |

4069-XXX

Assembly 2: Frame (continued)

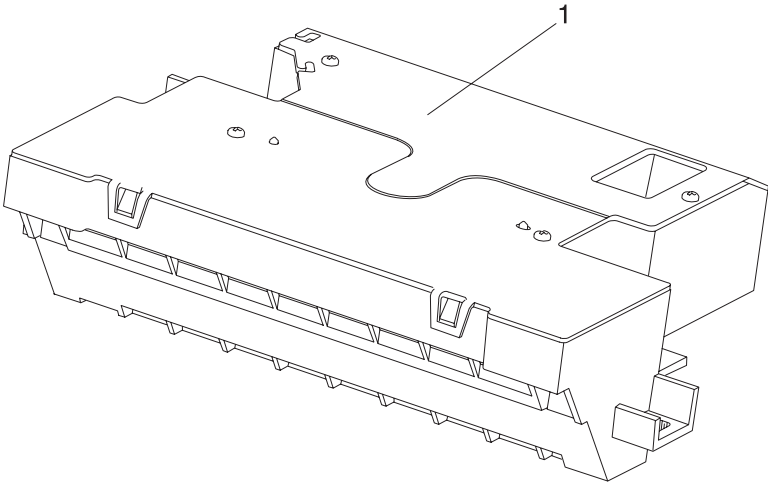


4069-XXX

| Asm-Index | Part Number | Units | Description |
|------------------|--------------------|--------------|--|
| 2-22 | 99A0466 | 1 | Sensor, Toner Cartridge Level |
| 2-23 | 99A0039 | 2 | Roller, Developer Support |
| 2-24 | 99A0026 | 1 | Tray Bias Arm Assembly |
| 2-25 | 99A1522 | 1 | Pan, Center Assembly |
| 2-26 | 99A1525 | 1 | Deflector, Upper PF |
| 2-27 | 99A1850 | 1 | Deflector, Inner 2l2/4l4/6l6/2ln/6ln/4lb/4le/4lL |
| 2-27 | 99A0055 | 1 | Deflector, Inner 0l0/0ln/23v/23e |
| 2-28 | 99A1897 | 1 | Frame, EP Module service level B |
| 2-28 | 99A1833 | 1 | Frame, EP Module 010/212/414/616/01n/21n/61n |
| 2-29 | 99A0053 | 1 | Sensor, Input |
| 2-30 | 99A1517 | 1 | Frame Extension, Left 500 Internal 212/414/616/21n/61n/41b/41e/41l |
| 2-31 | 99A0549 | 1 | Shield, ESD Assembly with label |
| 2-32 | 99A0063 | 1 | Spring, PA Switch Activate |
| 2-33 | 99A1514 | 1 | Left Side Frame |
| 2-34 | 99A0128 | 1 | Board, Input Tray (ITC) |
| 2-35 | 99A1896 | 1 | Guard, Gear |
| 2-36 | 99A0899 | 1 | Pan, Motor Drip |
| 2-37 | 99A0567 | 1 | Link, Gear Release 010/212/414/616/01n/21n/61n/41b/41e/41l |
| 2-38 | 99A0556 | 1 | Spring, Counterbalance |
| NS | | 17 | Screw PP 99A0263 |
| NS | 99A1546 | 1 | Shield, Gear |
| NS | 99A1596 | 1 | Contact, LSF Ground |
| NS | 99A1538 | 1 | Contact, RSF Ground |
| NS | 99A1540 | 4 | Nutplate, Frame 212/414/616/21n/41b/41e/41l/61n |
| NS | 99A1541 | 1 | Spring, Duplex Ground 212/414/616/21n/41b/41e/41l/61n/23v/23e |

4069-XXX

Assembly 3: Printhead

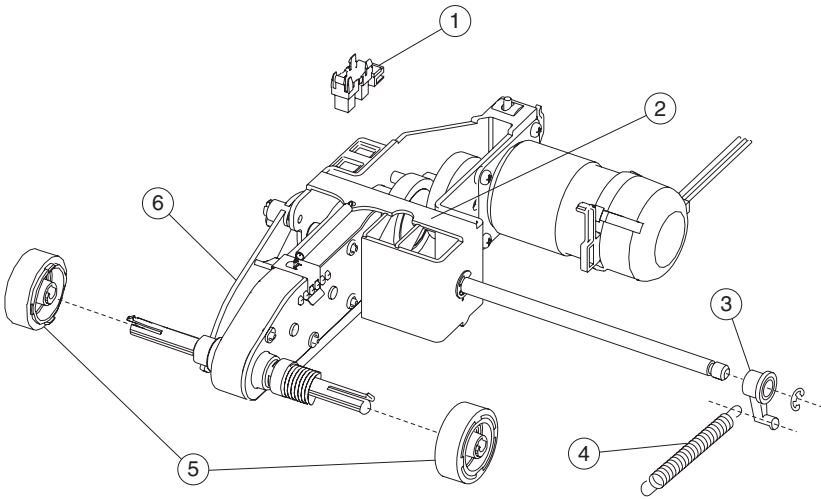


4069-XXX

| Asm-Index | Part Number | Units | Description |
|------------------|--------------------|--------------|--------------------------------------|
| 3-1 | 99A1526 | 1 | Printhead Assembly, 010/01n |
| 3-1 | 99A1527 | 1 | Printhead Assembly, 212/21n/23v/23e |
| 3-1 | 99A1528 | 1 | Printhead Assembly, 414 |
| 3-1 | 99A1867 | 1 | Printhead Assembly, 41b/41e/41l |
| 3-1 | 99A1873 | 1 | Printhead Assembly, 616/61n |
| NS | | 3 | Screw, Printhead Mounting PP 99A0263 |

4069-XXX

Assembly 4: Paper Feed (Autocompensator)

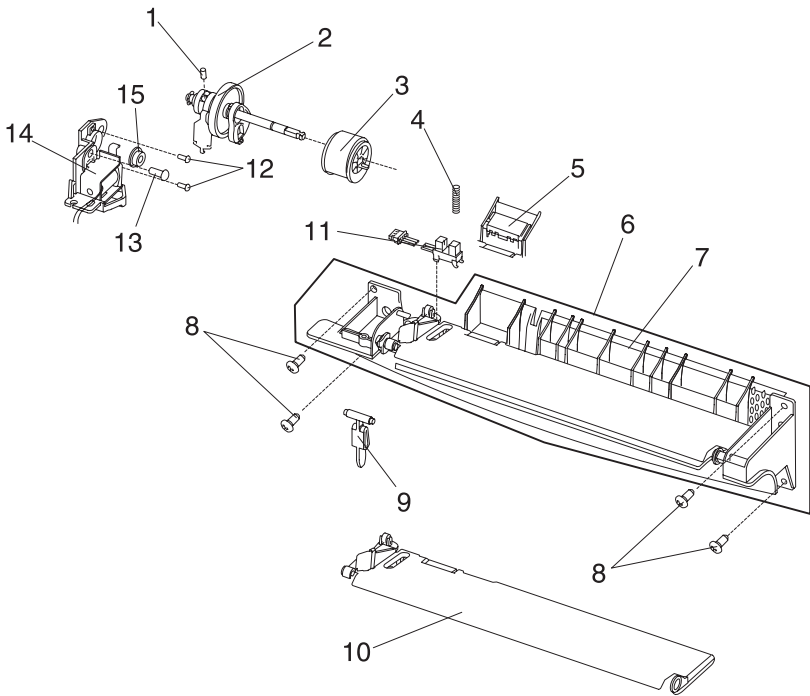


4069-XXX

| Asm-Index | Part Number | Units | Description |
|------------------|--------------------|--------------|---|
| 4-1 | 99A0060 | 1 | Sensor, Paper Out Internal Tray |
| 4-2 | 99A1056 | 1 | Pick Arm Assembly (250) 010/01n/23v/23e |
| 4-2 | 99A1530 | 1 | Pick Arm Assembly (500) 212/414/616/21n/41b/41l/41e/61n |
| 4-3 | 56P1228 | 1 | Spring Arm Bellcrank |
| 4-4 | 99A1927 | 1 | Spring, Bellcrank Internal 250 010/01n/23v/23e |
| 4-4 | 99A1930 | 1 | Spring, Bellcranck Internal 500 212/414/616/41b/41l/41e/61n |
| 4-5 | 99A0070 | 2 | Pick Rolls |
| 4-6 | 99A1616 | 1 | Flag, Paper Out 500 Tray 212/414/616/21n/41b/41l/41e/61n |
| 4-6 | 99A1609 | 1 | Flag, Paper Out 250 Internal Tray 010/01n/23v/23e |
| NS | | 1 | Screw, Hanger PP 99A0263 |

4069-XXX

Assembly 5: Paper Feed - Multipurpose Unit

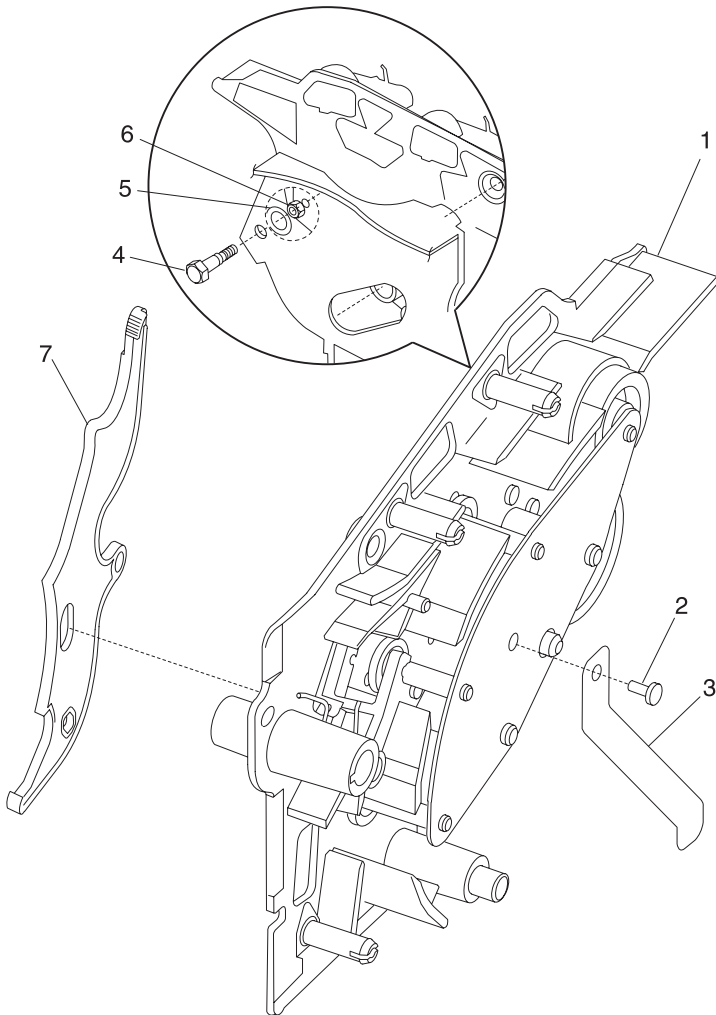


4069-XXX

| Asm-Index | Part Number | Units | Description |
|------------------|--------------------|--------------|---|
| 5-1 | 99A0075 | 1 | Screw, Socket Set M4X5 mm |
| 5-2 | 99A0071 | 1 | Arm Assembly, MPT |
| 5-3 | 99A0076 | 1 | Pick Roll Assembly |
| 5-4 | 99A0081 | 1 | Spring Assembly, Separator |
| 5-5 | 99A0083 | 1 | MPT Pad Assembly Kit o Restraint Pad o MPT Pad Assembly |
| 5-6 | 99A1608 | 1 | Deflector Assembly, MPT |
| 5-7 | 99A1531 | 1 | Deflector, Lower |
| 5-8 | | 2 | Screw, Lower Deflector Mounting 8 mm PP 99A0263 |
| 5-8 | | 2 | Screw, Lower Deflector Mounting 12mm PP 99A0263 |
| 5-9 | 99A0084 | 1 | Flag, MPT Paper Out |
| 5-10 | 99A0082 | 1 | Plate Assembly, MPT |
| 5-11 | 99A0078 | 1 | Sensor, MPT Paper Out |
| 5-12 | 99A0073 | 2 | Screw, Damper |
| 5-13 | | 1 | Screw, Frame Mounting PP 99A0263 |
| NS | | 2 | Clip, Pick Roll Shaft PP 99A0267 |
| 5-14 | 99A2438 | 1 | Solenoid, MPT |
| 5-15 | 99A0074 | 2 | Bushing, Pick Roll Shaft |

4069-XXX

Assembly 6: Paper Feed - Alignment

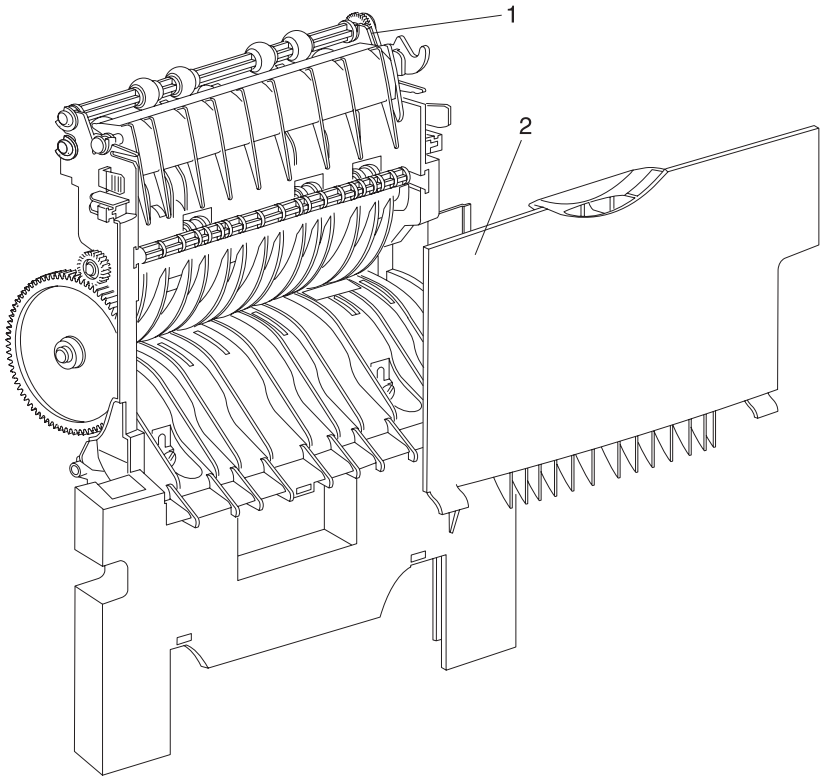


4069-XXX

| Asm-Index | Part Number | Units | Description |
|------------------|--------------------|--------------|-------------------------------------|
| 6-1 | 99A0089 | 1 | Alignment Assembly Paper Feed |
| 6-2 | 99A1953 | 1 | Screw, Reference Ground Clip |
| 6-3 | 99A0490 | 1 | Clip, Reference Ground |
| 6-4 | 99A0492 | 1 | Screw, Paper Reference Adjustment |
| 6-5 | 99A0565 | 1 | Washer, Reference Adjustment |
| 6-6 | 99A0566 | 1 | Nut, Paper Reference Adjustment |
| 6-7 | 99A0559 | 1 | Lever, Bellcrank Release |
| NS | | 2 | Screw, Alignment Asm Mtg PP 99A0263 |

4069-XXX

Assembly 7: Paper Feed - Output

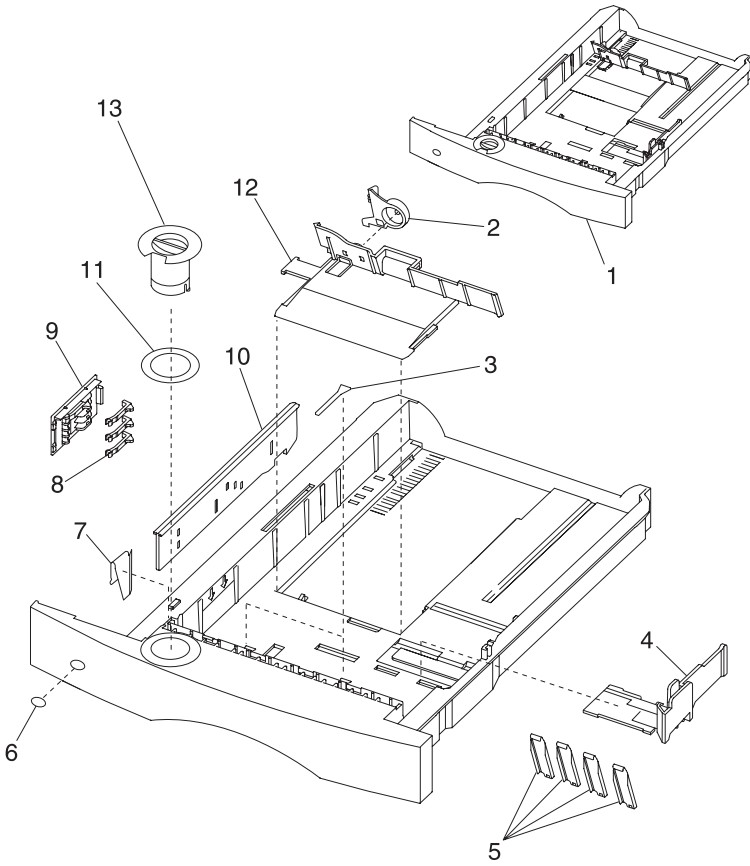


4069-XXX

| Asm-Index | Part Number | Units | Description |
|------------------|--------------------|--------------|---|
| 7-1 | 99A1586 | 1 | Redrive Assembly, Inner 250 010/01n/23v/23e |
| 7-1 | 99A1604 | 1 | Redrive Assembly, 212 |
| 7-1 | 99A1533 | 1 | Redrive Assembly, Inner 500 414/616/61n/41b/41l/41e/21n |
| 7-2 | 99A1644 | 1 | Door Assembly, Redrive 250 010/212/21n/23v/23e |
| 7-2 | 99A1534 | 1 | Door Assembly, Redrive 500 414/616/41b/41l/41e/61n |
| NS | 99A0104 | 1 | Spring, Upper Diverter |
| NS | 99A1857 | 1 | Deflector, Upper Redrive |
| NS | | 2 | Screw, SEMS-Duplex Path PP 99A0263 |

4069-XXX

Assembly 8: Integrated Paper Tray - 250 Sheet

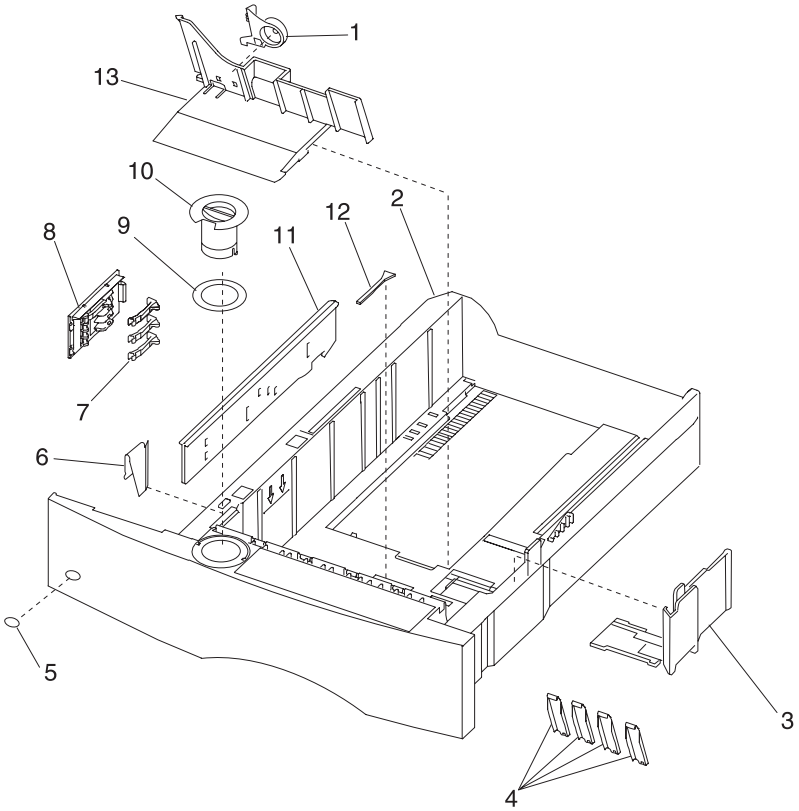


4069-XXX

| Asm-Index | Part Number | Units | Description |
|------------------|--------------------|--------------|--|
| 8-1 | 99A1536 | 1 | Tray, Integrated 250 Sheet 010/01n/23v/23e |
| 8-2 | 99A1601 | 1 | Latch, Back Restraint |
| 8-3 | 99A0120 | 2 | Restraint Pad |
| 8-4 | 99A1894 | 1 | Restraint, Side 250 Sheet Tray |
| 8-5 | 99A0119 | 4 | Wear Strips |
| 8-6 | 99A1812 | 1 | Label, Tray Option Number |
| 8-7 | 99A0121 | 1 | Clip, 250 Tray Wear |
| 8-8 | 99A0126 | 4 | Finger, Autosize |
| 8-9 | 99A0124 | 1 | Plate, Snap-In |
| 8-10 | 99A0127 | 1 | Slider, Autosize 250 |
| 8-11 | 99A1952 | 1 | Label, Paper Size |
| 8-12 | 99A0893 | 1 | Restraint, Back 250 Sheet Tray |
| 8-13 | 99A1537 | 1 | Knob, Paper Size |

4069-XXX

Assembly 9: Integrated Paper Tray - 500 Sheet

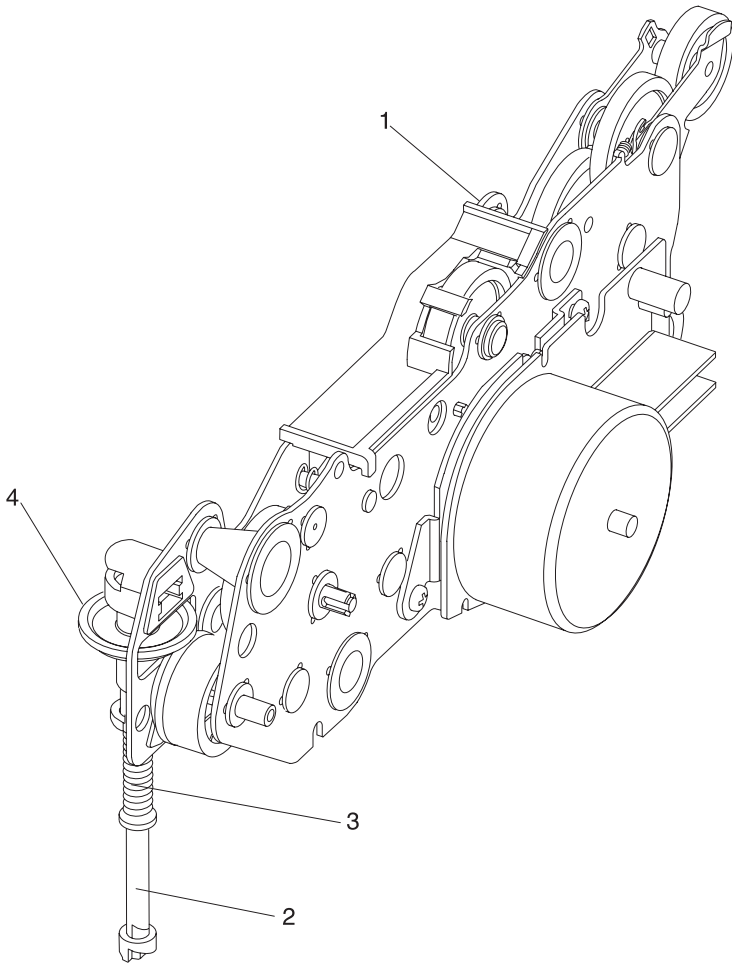


4069-XXX

| Asm-Index | Part Number | Units | Description |
|------------------|--------------------|--------------|---|
| 9-1 | 99A1601 | 1 | Latch, Back Restraint |
| 9-2 | 99A1576 | 1 | Tray Assembly 500 Sheet 212/414/616/21n/ 41b/41l/41e/61n |
| 9-3 | 99A1895 | 1 | Restraint, Side |
| 9-4 | 99A0292 | 4 | Strip, Wear |
| 9-5 | 99A1812 | 1 | Label, Tray Option Number |
| 9-6 | 99A1750 | 1 | Plate, 500 Tray Wear |
| 9-7 | 99A0126 | 3 | Finger, Autosize |
| 9-8 | 99A0124 | 1 | Plate, Snap-in |
| 9-9 | 99A1952 | 1 | Label, Paper Size |
| 9-10 | 99A1537 | 1 | Knob, Paper Size |
| 9-11 | 99A1582 | 1 | Slider, Autosize 500 |
| 9-12 | 99A0120 | 2 | Pad, Restraint |
| 9-13 | 99A1602 | 1 | Restraint, Back |

4069-XXX

Assembly 10: Main Drive

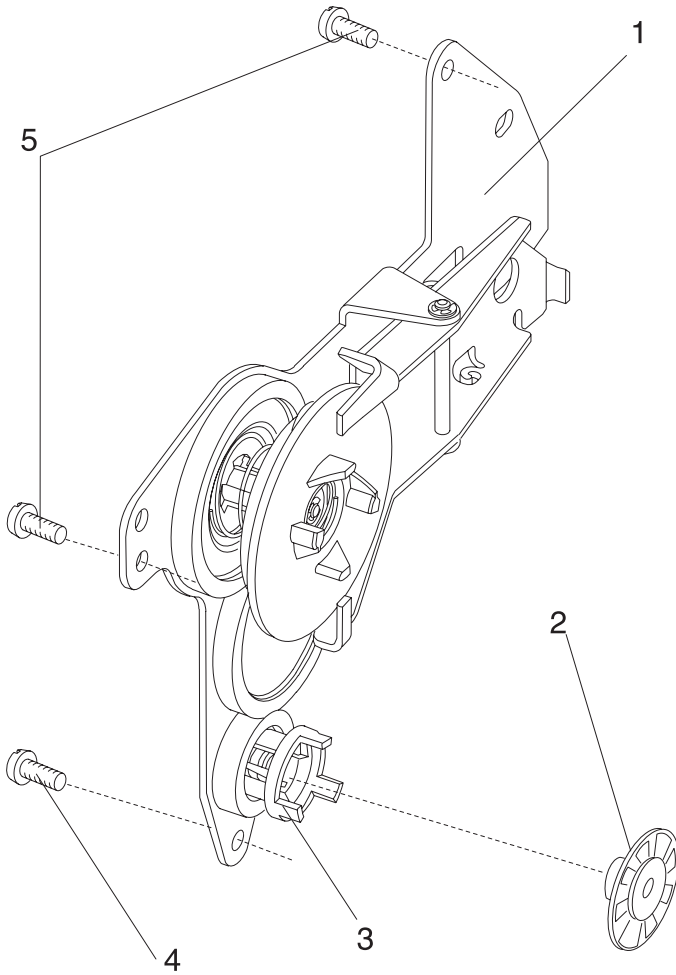


4069-XXX

| Asm-Index | Part Number | Units | Description |
|------------------|--------------------|--------------|---|
| 10-1 | 99A1543 | 1 | Gearbox, w/Motor 010/212/01n/21n/23v/23e |
| 10-1 | 99A0129 | 1 | Gearbox, w/Motor 414/41b/41l/41e |
| 10-1 | 99A0801 | 1 | Gearbox, w/Motor 616/61n |
| 10-2 | 99A0134 | 1 | Shaft, Power Take Off 010/01n/23v/23e |
| 10-2 | 99A1569 | 1 | Shaft, Power Take Off 500 212/414/616/21n/41b/41l/41e/61n |
| 10-3 | 99A0275 | 1 | Spring, Power Takeoff Shaft |
| 10-4 | 99A0954 | 1 | Gear, Bevel with Grease Packet |
| NS | | 4 | Screw, Gearbox Mounting PP 99A0263 |
| NS | | 3 | Screw, Motor Mounting PP 99A0263 |
| NS | 99A0260 | 2 | Clip, Cable |

4069-XXX

Assembly 11: Developer Drive

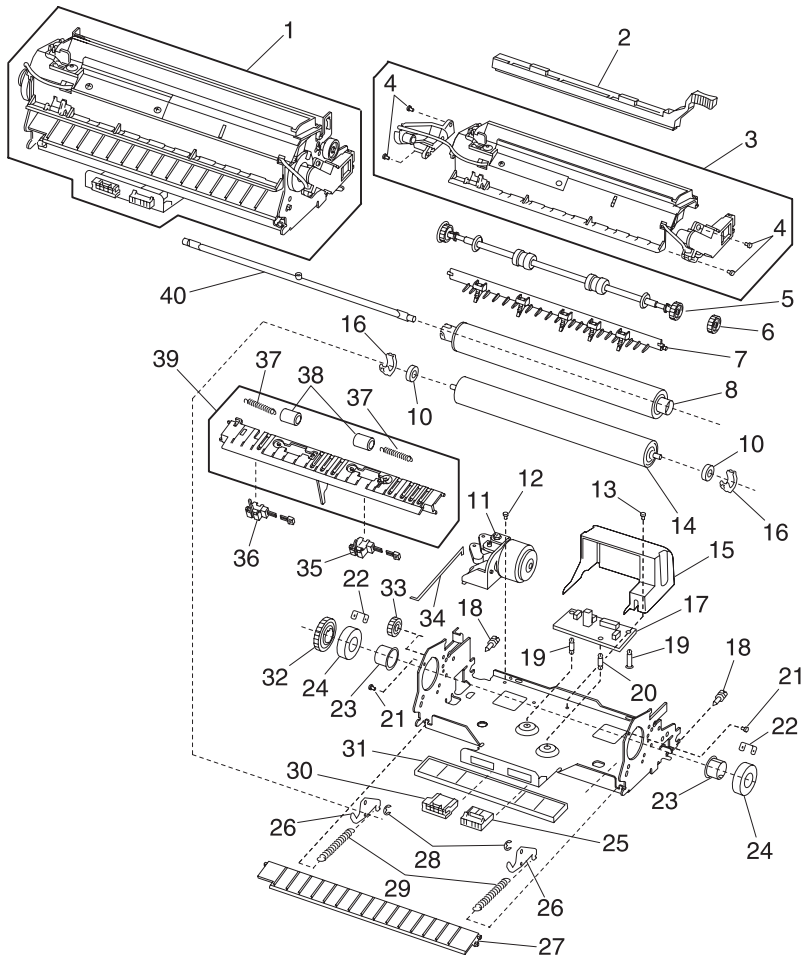


4069-XXX

| Asm-Index | Part Number | Units | Description |
|------------------|--------------------|--------------|--|
| 11-1 | 99A1544 | 1 | Developer Drive Assembly |
| 11-2 | 99A0564 | 1 | Coupler, Gear #55 |
| 11-3 | 99A0136 | 1 | Shaft, Developer Drive |
| 11-4 | | 1 | Screw, Developer Drive Ground PP 99A0263 |
| 11-5 | | 2 | Screw, Developer Drive Mtg PP 99A0263 |

4069-XXX

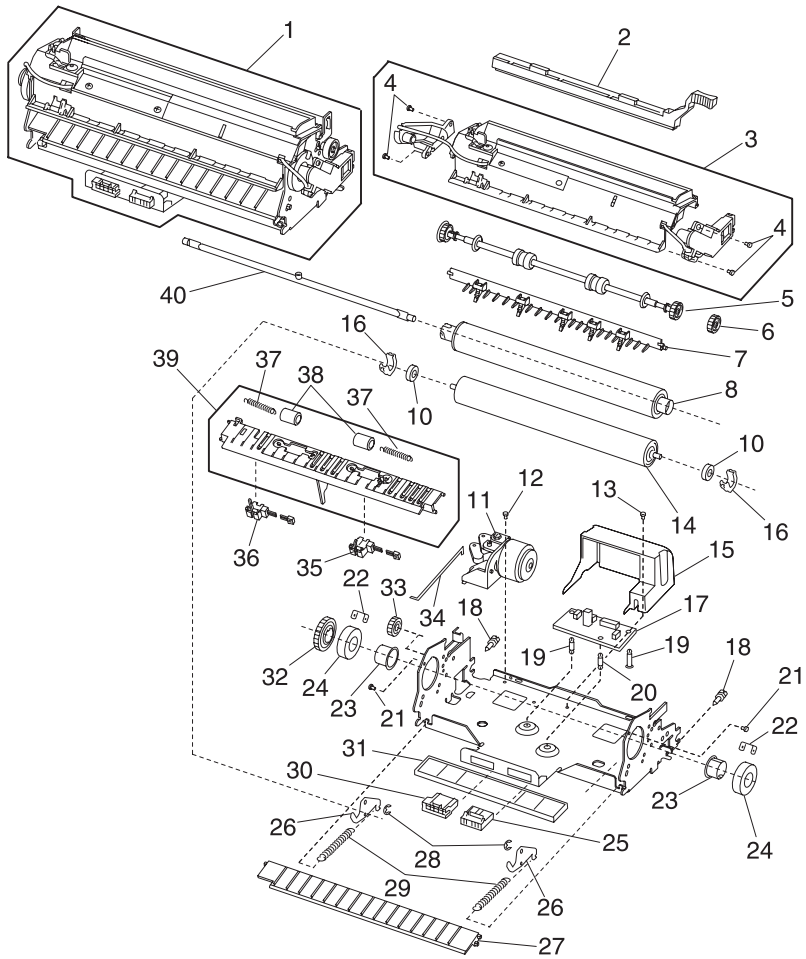
Assembly 12: Hot Roll Fuser



4069-XXX

| Asm-Index | Part Number | Units | Description |
|------------------|--------------------|--------------|--|
| 12-1 | 99A1977 | 1 | Fuser Assembly w/115V 875W Lamp 414/616/41b/41l/41n/61n |
| 12-1 | 99A1585 | 1 | Fuser Assembly w/220V 875W Lamp 414/616/41b/41l/41n/61n |
| 12-1 | 99A1969 | 1 | Fuser Assembly w115V 550W Lamp 010/212/01n/21n/23v/23e |
| 12-1 | 99A1661 | 1 | Fuser Assembly w220V 550W Lamp 010/212/01n/21n |
| 12-2 | 99A0725 | 1 | Wiper Assembly, Wet |
| 12-3 | 99A1603 | 1 | Cover, Fuser Assembly with Thermistor, Thermal Fuse, and LH & RH Fuser Lamp Contact Assemblies |
| 12-4 | | 4 | Screw, Contact Assembly PP 99A0263 |
| 12-5 | 99A1631 | 1 | Exit Roll Assembly |
| 12-6 | 99A1520 | 1 | Gear, Upper Redrive |
| 12-7 | 99A0833 | 1 | Detack Assembly |
| 12-8 | 99A1521 | 1 | Hot Roll, 010/212/41b/41e/41l/21n/01n/23v/23e |
| 12-8 | 99A1549 | 1 | Hot Roll, 414/616/61n |
| 12-9 | 99A0159 | 2 | Spacer, BUR 010/212/01n/21n/23v/23e |
| 12-10 | 99A1621 | 2 | Bearing, BUR |
| 12-11 | 99A0173 | 1 | Solenoid Assembly, Envelope Conditioner |
| 12-12 | | 1 | Screw, Solenoid Mounting PP 99A0263 |
| 12-13 | | 1 | Screw, Board Cover Mounting PP 99A0263 |
| 12-14 | 99A0160 | 1 | Backup Roll, 22 mm 010/212/41b/41e/41l/01n/21n/23v/23e |
| 12-14 | 99A0158 | 1 | Backup Roll, CBM 28 mm 414/616/61n |
| 12-15 | 99A1598 | 1 | Shield, Fuser Board |
| 12-16 | 99A0144 | 2 | Retainer, Backup Roll Bearing |
| 12-17 | 99A1553 | 1 | Board Assembly, Fuser 010/212/414/616/01n/21n/61n/23v/23e |
| 12-17 | 99A1868 | 1 | Board Assembly, Fuser 41b/41e/41l |
| 12-18 | 99A1649 | 2 | Screw, Fuser Mounting |
| 12-19 | 99A1902 | 2 | Standoff, Fuser Control Board |
| 12-20 | 99A0919 | 1 | Standoff, Fuser Control Board |

Assembly 12: Hot Roll Fuser (continued)

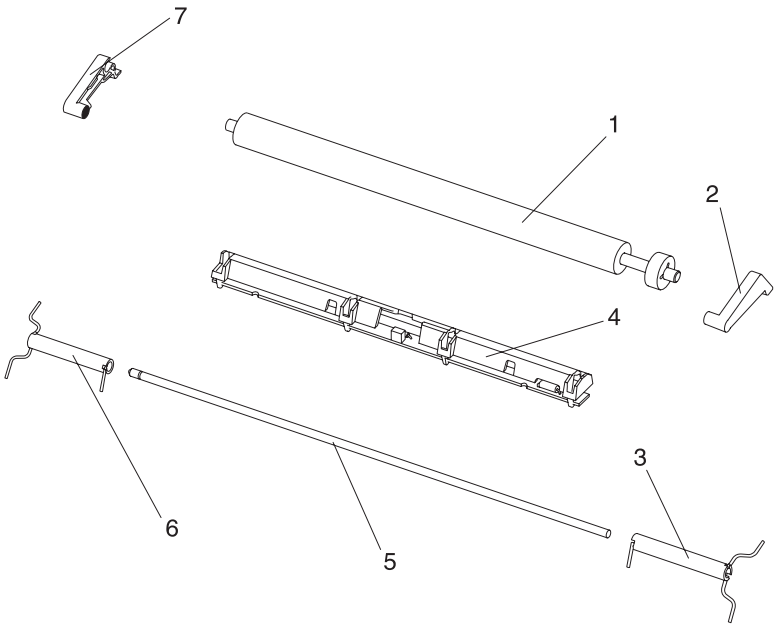


4069-XXX

| Asm-Index | Part Number | Units | Description |
|------------------|--------------------|--------------|--|
| 12-21 | | 2 | Screw, Fuser Cover Assembly PP 99A0263 |
| 12-22 | 99A0142 | 2 | Retainer, Hot Roll Bearing |
| 12-23 | 99A0150 | 2 | Bushing, Hot Roll |
| 12-24 | 99A0143 | 2 | Bearing, Hot Roll |
| 12-25 | 99A1554 | 1 | Fuser Cable, AC |
| 12-26 | 99A1600 | 2 | Bellcrank, Backup Roll 414/616/61n |
| 12-26 | 99A1659 | 2 | Bellcrank, Backup Roll 010/212/41b/41e/41l/21n/01n/23v/23e |
| 12-27 | 99A1591 | 1 | Guide, Fuser Entry |
| 12-28 | | 2 | Retainer, Backup Roll Bellcrank PP 99A0267 |
| 12-29 | 99A0410 | 2 | Spring, Backup Roll Bellcrank |
| 12-30 | 99A1648 | 1 | Fuser Cable, DC |
| 12-31 | 99A1597 | 1 | Clamp, Fuser Cable AC/DC |
| 12-32 | 99A0157 | 1 | Gear, Hot Roll |
| 12-33 | 99A0148 | 1 | Gear, Idler |
| 12-34 | 99A0297 | 1 | Link, Solenoid |
| 12-35 | 99A1651 | 1 | Sensor, Narrow Media |
| 12-36 | 99A1551 | 1 | Sensor, Exit |
| 12-37 | 99A0897 | 2 | Spring, Redrive Idler |
| 12-38 | 99A0167 | 2 | Roller, Redrive Idler |
| 12-39 | 99A1550 | 1 | Guide Assembly, Lower Exit |
| 12-40 | 99A1547 | 1 | Lamp, 115V 875W CC Gold |
| 12-40 | 99A1639 | 1 | Lamp, 115V 550W CC Green |
| 12-40 | 99A1548 | 1 | Lamp, 220V 875W CC Silver |
| 12-40 | 99A1642 | 1 | Lamp, 220V 550W CC Brown |
| NS | 99A1658 | 1 | Cover, Fuser Wiper Cavity |
| NS | | 7 | Screw, Hanger PP 99A0263 |
| NS | 99A0145 | 3 | Clip, Fuse Mounting |
| NS | 99A1599 | 1 | Tray, Fuser AC Connector |

4069-XXX

Assembly 13: Transfer

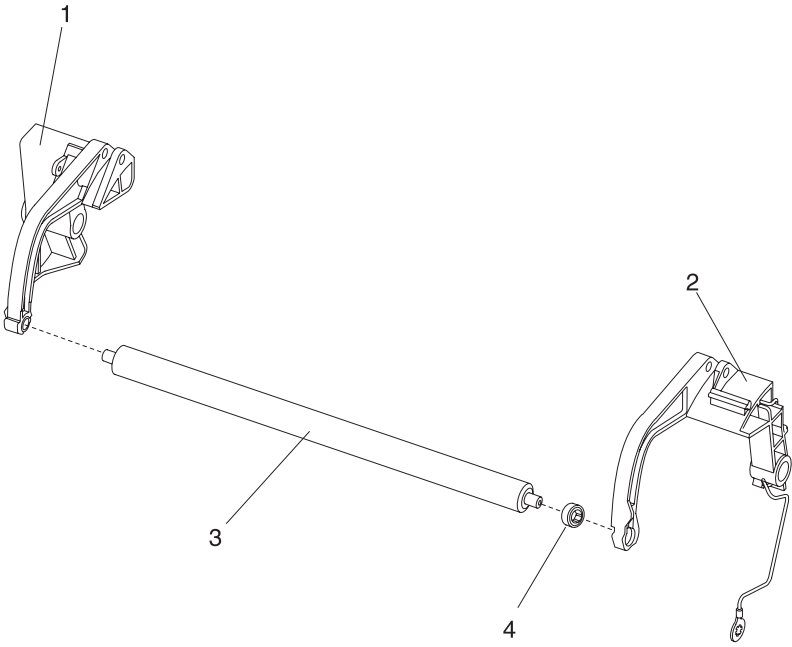


4069-XXX

| Asm-Index | Part Number | Units | Description |
|------------------|--------------------|--------------|---|
| 13-1 | 99A1015 | 1 | Transfer Roll Assembly |
| 13-2 | 99A0349 | 1 | Arm, Transfer Roll Assembly Right |
| 13-3 | 99A0184 | 1 | Spring, Transfer Roll Right |
| 13-4 | 99A0186 | 1 | Erase Lamp Assembly Kit 010/212/414/616/ 01n/21n/61n o Lamp, Erase Assembly o Lens, Erase Lamp |
| 13-5 | 99A0185 | 1 | Shaft, Transfer Pivot |
| 13-6 | 99A0181 | 1 | Spring, Transfer Roll Left |
| 13-7 | 99A1578 | 1 | Arm, Transfer Roll Left |
| NS | | 1 | Retainer, Pivot Shaft PP 99A0267 |

4069-XXX

Assembly 14: Charging

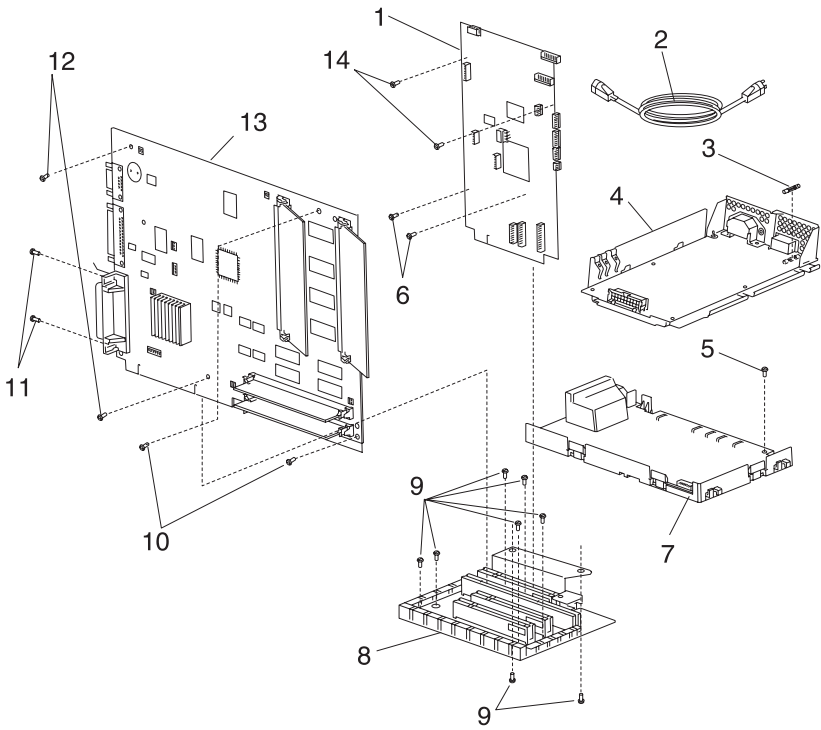


4069-XXX

| Asm-Index | Part Number | Units | Description |
|------------------|--------------------|--------------|---------------------------------|
| 14-1 | 99A0512 | 1 | Link Assembly, Charge Left Kit |
| 14-2 | 99A0513 | 1 | Link Assembly, Charge Right Kit |
| 14-3 | 99A1017 | 1 | Roll Assembly, Charge |
| 14-4 | 99A1555 | 1 | Bushing, Charge Roll |
| NS | | 1 | Screw, Charge Roll PP 99A0263 |

4069-XXX

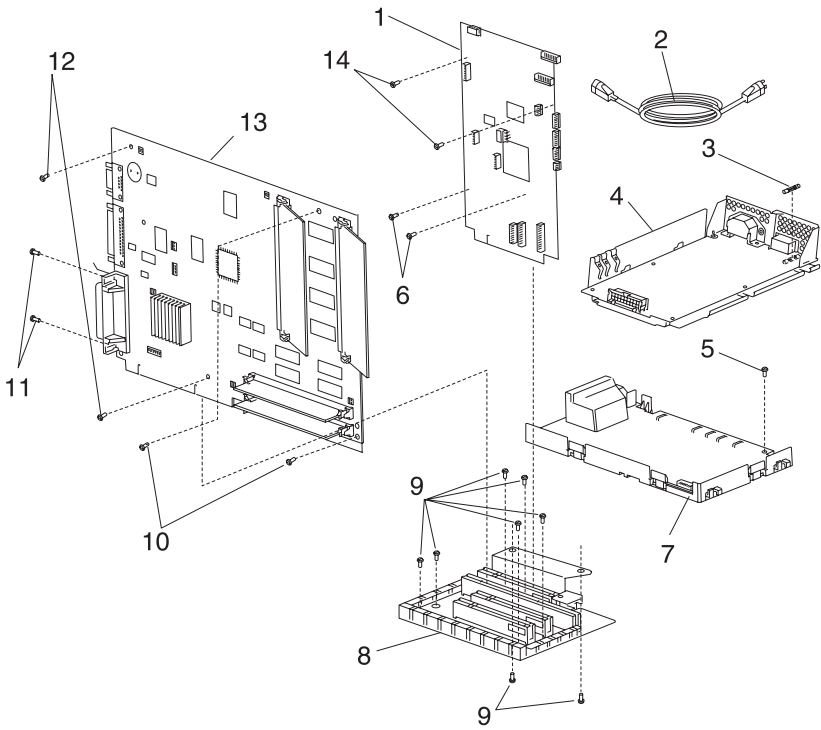
Assembly 15: Electronics



4069-XXX

| Asm-Index | Part Number | Units | Description |
|------------------|--------------------|--------------|--|
| 15-1 | 99A1869 | 1 | Engine Board Assembly 010/01n |
| 15-1 | 99A1871 | 1 | Engine Board Assembly 212/21n/23v/23e |
| 15-1 | 99A1923 | 1 | Engine Board Assembly 414/41b/41e/41l |
| 15-1 | 99A1878 | 1 | Engine Board Assembly 616/61n |
| 15-2 | 1342514 | 1 | Power Cord Set, 8 ft. - U.S., Canada (LV), Nicaragua, Venezuela, Peru (LV), Bolivia (HV), Colombia, Costa Rica, Ecuador, El Salvador, Guatemala, Honduras, Mexico, Panama |
| 15-2 | 43H5248 | 1 | Power Cord Set, 8 ft. - U.S., Canada (LV), Nicaragua, Venezuela, Peru (LV), Bolivia, Colombia, Costa Rica, Ecuador, El Salvador, Guatemala, Honduras, Mexico, Panama 414/41n/616/61n |
| 15-2 | 1339538 | 1 | Europe, 6 ft. Paraguay, Uruguay |
| 15-2 | 1342536 | 1 | Power Cord Set, 6 ft. - APG (LV) |
| 15-2 | 1339537 | 1 | Power Cord Set, 8 ft. - U.K., Ireland |
| 15-2 | 1339539 | 1 | Power Cord Set, 6 ft. - Israel |
| 15-2 | 1339540 | 1 | Power Cord Set, 6 ft. - Switzerland |
| 15-2 | 1339541 | 1 | Power Cord Set, 6 ft. - South Africa |
| 15-2 | 1339546 | 1 | Power Cord Set, 6 ft. - Two-Prong Argentina (HV) |
| 15-2 | 1342534 | 1 | Power Cord Set, 8 ft. - Chile (HV) |
| 15-2 | 1339543 | 1 | Power Cord Set, 8 ft. - Denmark |
| 15-2 | 1339542 | 1 | Power Cord Set, 6 ft. - Italy |
| 15-2 | 1374067 | 1 | Power Cord Set, 8 ft. - Peru (HV) |
| 15-2 | 1339544 | 1 | Power Cord Set, 8 ft. - Straight Argentina (HV) |
| 15-2 | 1339545 | 1 | Power Cord Set, 8 ft. - Right Angle Argentina (HV) |
| 15-2 | 1342530 | 1 | Power Cord Set - Brazil |
| 15-3 | 99A0215 | 1 | Fuse, 110 V ac LVPS |
| 15-3 | 99A0205 | 1 | Fuse, 220 V ac |

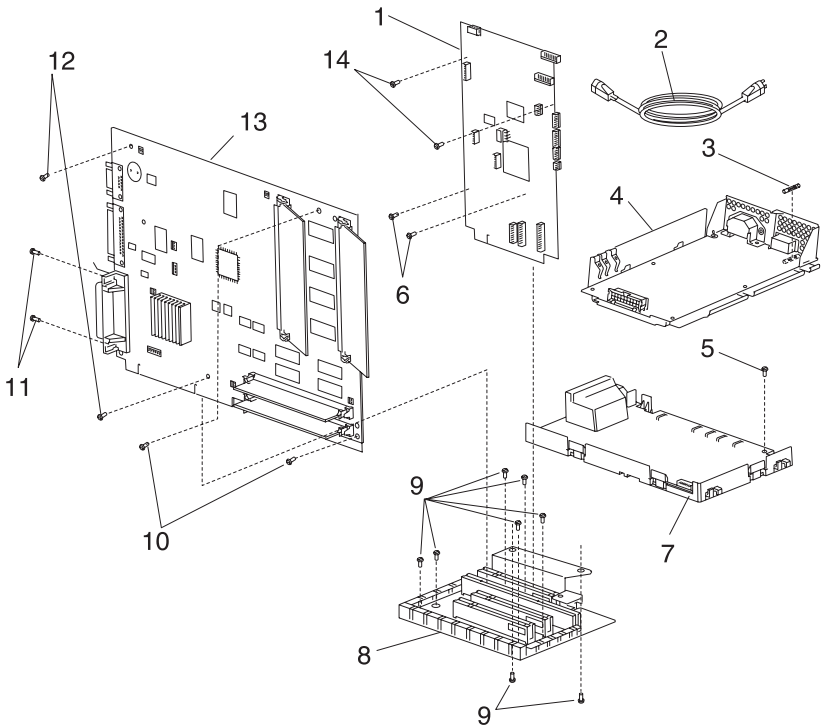
Assembly 15: Electronics (continued)



4069-XXX

| Asm-Index | Part Number | Units | Description |
|-----------|---|-------|--|
| 15-4 | 99A1822 | 1 | LVPS, 110 V ac 010/212/01n/21n/23v/23e |
| 15-4 | 99A0214 | 1 | LVPS, 110 V ac 616/61n |
| 15-4 | 99A1640 | 1 | LVPS, 220 V ac 010/212/01n/21n/23v/23e |
| 15-4 | 99A1944 | 1 | LVPS, 220 V ac 616/61n |
| 15-4 | 99A1875 | 1 | LVPS, 110 V ac 411/41b/41e/414 |
| 15-4 | 99A1943 | 1 | LVPS, 220 V ac 411/41b/41e/414 |
| 15-5 | | 1 | Screw, HVPS Mounting PP 99A0263 |
| 15-6 | | 1 | Screw, Engine Bd Mounting Top PP 99A0263 |
| 15-7 | <p>Note: Be sure and check the printer service level before replacing the HVPS. Go to “Printer Serial Label” on page 7-2 to identify the correct replacement FRU.</p> <p>99A1823 High Voltage Power Supply 010/212/414/616/01n/21n/61n</p> <p>99A1863 High Voltage Power Supply (all service level B printers)/ 23v/23e</p> | | |
| 15-8 | 99A1617 | 1 | Interconnect Board Assembly 212/414/616/41b/41l/41n/21n/61n o 2 Slot with shield |
| 15-8 | 99A1581 | 1 | Interconnect Board Assembly o 1 Slot with shield/23v/23e |
| 15-8 | 99A1607 | 1 | Interconnect Board Assembly 010/01n o 1 Slot with shield |
| 15-9 | | 2 | Screw, Int Board Mounting PP 99A0263 |
| 15-9 | | 1 | Screw, Int Board Shield Ground PP 99A0263 |
| 15-9 | | 2 | Screw, Int Shield Mounting PP 99A0263 |
| 15-9 | | 3 | Screw, Int Shield Mounting PP 99A0263 |
| 15-10 | | 2 | Screw, Controller Bd Mounting Front PP 99A0263 |
| 15-11 | 99A0426 | 2 | Screw, Parallel Connector Mounting |
| 15-12 | | 2 | Screw, Controller Bd Mounting Back PP 99A0263 |

Assembly 15: Electronics (continued)

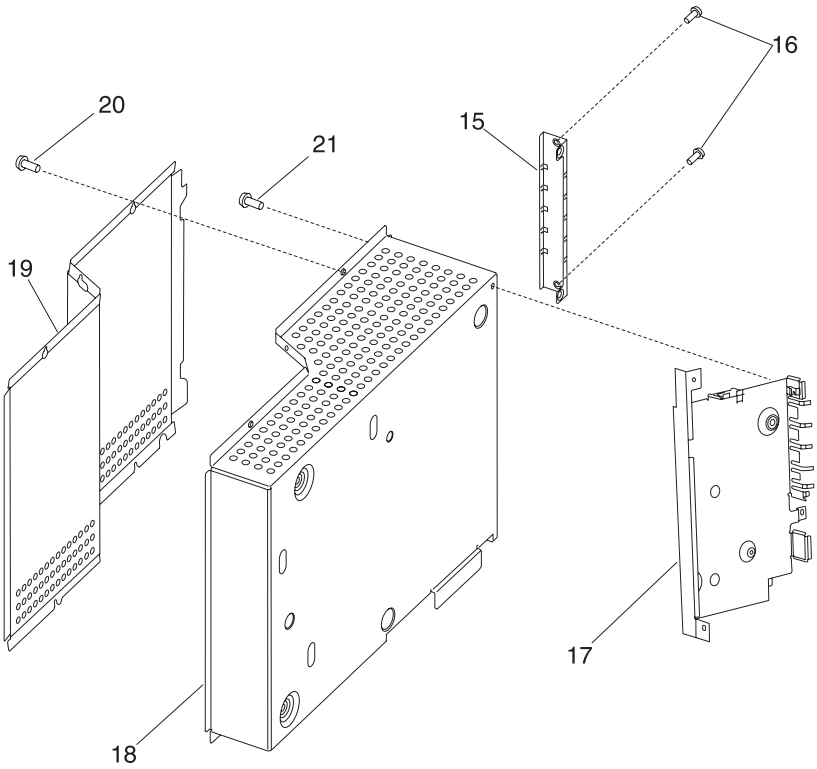


4069-XXX

| Asm-Index | Part Number | Units | Description |
|------------------|--------------------|--------------|---|
| 15-13 | 99A1954 | 1 | Controller Board Assembly 010 |
| 15-13 | 99A1955 | 1 | Controller Board Assembly 212/23v |
| 15-13 | 99A1956 | 1 | Controller Board Assembly 414/41b |
| 15-13 | 99A1957 | 1 | Controller Board Assembly 616 |
| 15-13 | 99A1958 | 1 | Controller Board Assembly 01n |
| 15-13 | 99A1959 | 1 | Controller Board Assembly 23e/21n |
| 15-13 | 99A1960 | 1 | Controller Board Assembly 41n/41i/41e/61n |
| 15-14 | | 2 | Screw, Engine Bd Mtg Bottom PP 99A0263 |
| 15-14 | | 2 | Screw, Engine Bd Mtg Front PP 99A0263 |
| 15-14 | | 2 | Screw, Engine Bd Mtg Top PP 99A0263 |
| NS | 99A1612 | 1 | Cable, Deflector |
| NS | 99A0346 | 1 | Clip, EMC Six Finger |

4069-XXX

Assembly 15: Electronics (continued)

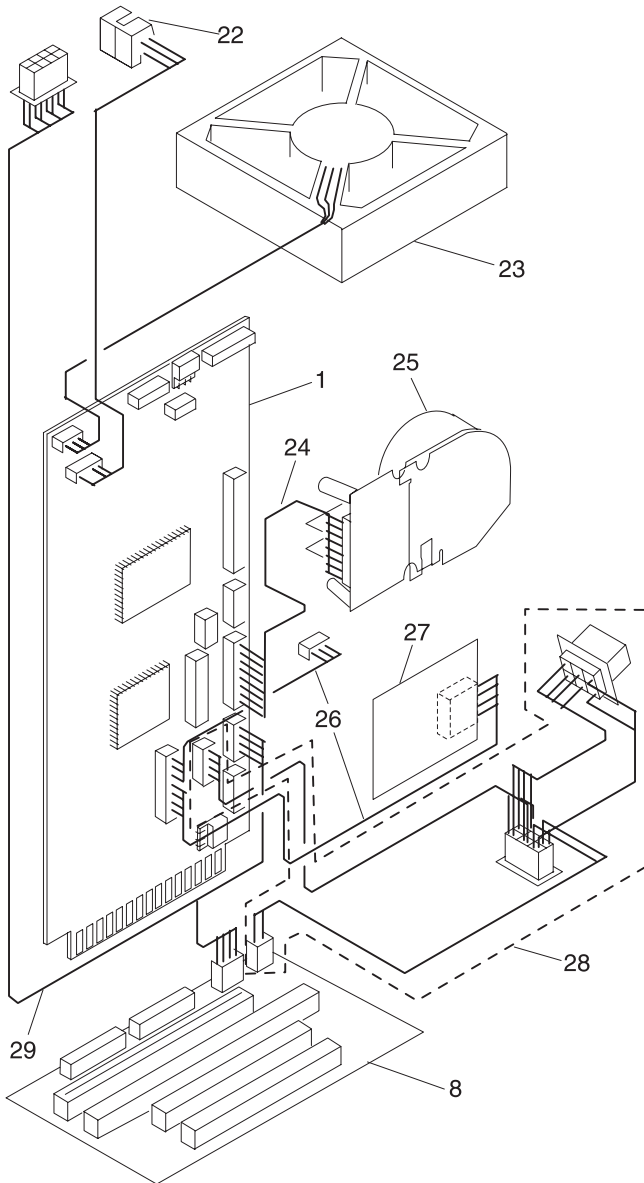


4069-XXX

| Asm-Index | Part Number | Units | Description |
|------------------|--------------------|--------------|--|
| 15-15 | 99A0408 | 1 | Cover, INA Flat (Blank) |
| 15-16 | | 6 | Screw, INA Cover Mounting PP 99A0263 |
| 15-16 | | 4 | Screw, INA Cover Mounting PP 99A0263 |
| 15-16 | | 2 | Screw, INA Cover Mounting PP 99A0263 |
| 15-17 | 99A1566 | 1 | Engine Board Shield Assembly |
| 15-18 | 99A1570 | 1 | Shield, Inner Assembly, 1 slot 010/01n/23v/ 23e |
| | | 1 | o Cover, INA Blank |
| 15-18 | 99A1571 | 1 | Shield, Inner Assembly, 2 slot 212/414/616/ 21n/41b/41l/41e/61n |
| | | 2 | o Cover, INA Blank |
| 15-19 | 99A0207 | 1 | Shield, Outer 1 slot 010/01n/23v/23e |
| 15-19 | 99A0206 | 1 | Shield, Outer 2 slot 212/414/616/21n/41b/41l/ 41e/61n |
| 15-20 | | 4 | Screw, Outer Shield Mounting PP 99A0263 |
| 15-20 | | 6 | Screw, Outer Shield Mounting PP 99A0263 |
| 15-21 | | 1 | Screw, Eng/Controller Mtg Ground PP 99A0263 |
| NS | | 1 | Screw, Eng/Int Shield Ground PP 99A0263 |
| NS | | 2 | Screw, Controller/Int Ground PP 99A0263 |
| NS | | 2 | Screw, Int/Pan Mounting PP 99A0263 |
| NS | | 1 | Screw, Eng/Int Ground PP 99A0263 |
| NS | 99A0260 | 1 | Clip, Cable |
| NS | | 2 | Screw, Cable Clip PP 99A0263 |
| NS | 99A1611 | 1 | Shield, Ethernet Blank |
| NS | 99A1610 | 1 | Shield, Serial Blank |

4069-XXX

Assembly 15: Electronics (continued)

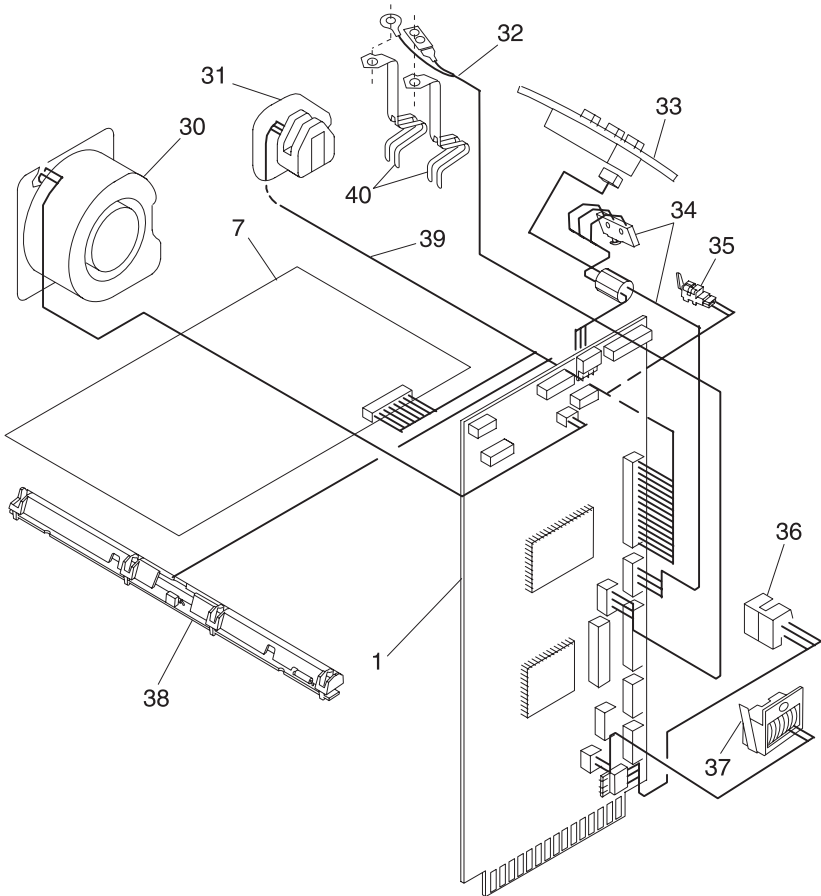


4069-XXX

| Asm-Index | Part Number | Units | Description |
|------------------|--------------------|--------------|---|
| 15-22 | 99A0138 | 1 | Sensor, Standard Bin Level |
| 15-23 | 99A0803 | 1 | Fan, Main |
| 15-24 | 99A0255 | 1 | Cable, Main Drive Motor |
| 15-25 | 99A1543 | 1 | Gearbox, w/Motor 010/212/01n/21n/23v/23e |
| 15-25 | 99A0129 | 1 | Gearbox, w/Motor 414/41b/41l/41n |
| 15-25 | 99A0801 | 1 | Gearbox, w/Motor 616/61n |
| 15-26 | 99A0256 | 1 | Cable, Integrated Tray |
| 15-27 | 99A0128 | 1 | Board, Input Tray (ITC) |
| 15-28 | 99A1632 | 1 | Cable, Auto Connect Bottom |
| 15-29 | 99A0257 | 1 | Cable, Auto Connect Top 212/414/616/21n/ 41b/41l/41e/61n/23v/23e |

4069-XXX

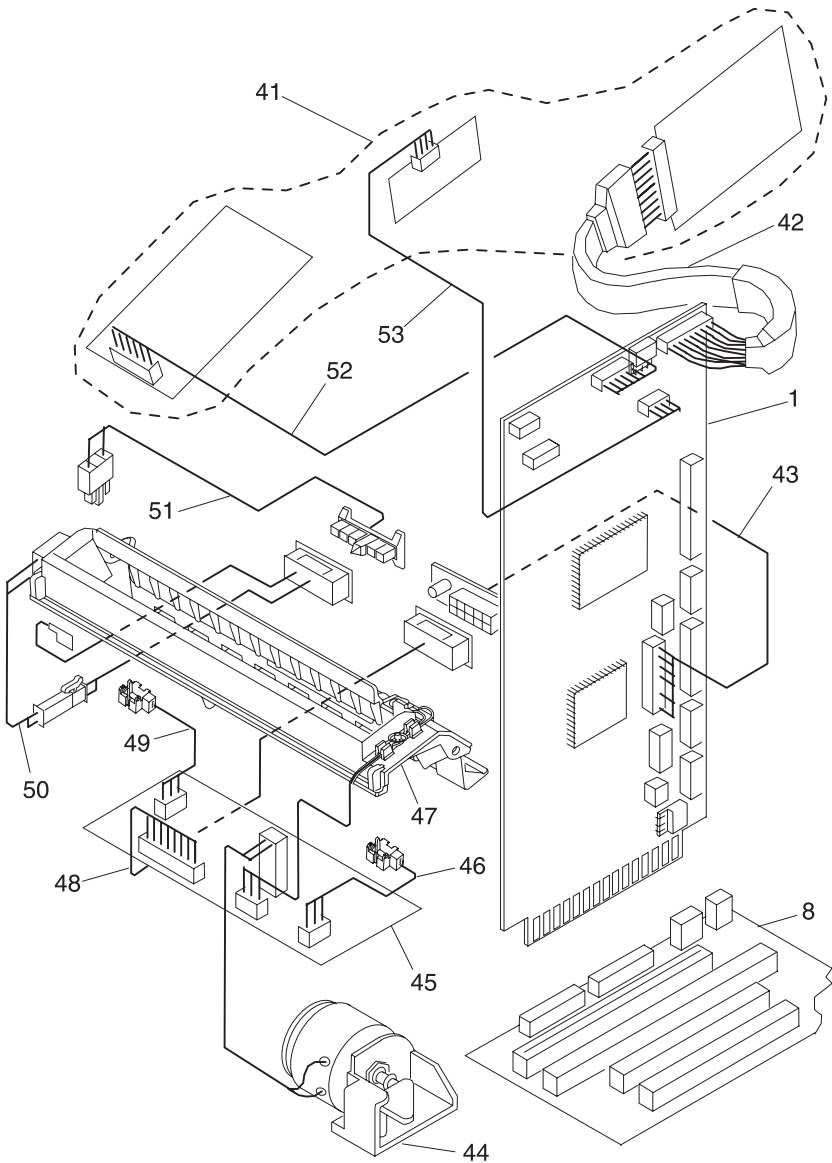
Assembly 15: Electronics (continued)



4069-XXX

| Asm-Index | Part Number | Units | Description |
|------------------|--------------------|--------------|---|
| 15-30 | 99A0049 | 1 | Fan, Auxiliary 414/616 |
| 15-31 | 99A0466 | 1 | Sensor, Toner Cartridge Level |
| 15-32 | 99A1593 | 1 | Cable, Smart Cartridge |
| 15-33 | 99A1501 | 1 | Operator Panel Assembly |
| 15-34 | 99A1577 | 1 | Switch, Cover Open w/Operator Panel Cable Assembly |
| 15-35 | 99A0053 | 1 | Sensor, Input |
| 15-36 | 99A0078 | 1 | Sensor, MPT Paper Out |
| 15-37 | 99A2438 | 1 | MPT Solenoid |
| 15-38 | 99A0186 | 1 | Erase Lamp Assembly 010/212/414/616/0In/6In |
| 15-39 | 99A0576 | 1 | Cable, Front Harness |
| 15-40 | 99A0815 | 2 | Contacts, Smart Cartridge |

Assembly 15: Electronics (continued)

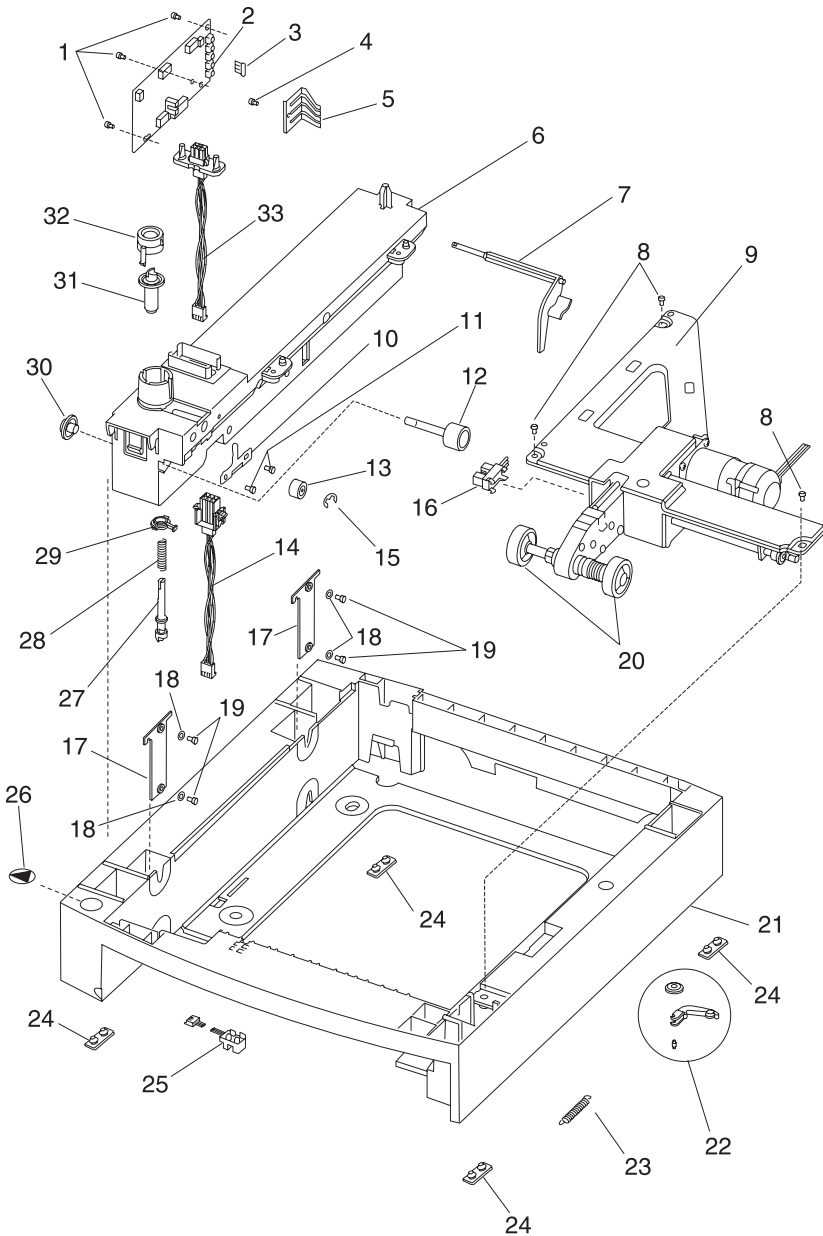


4069-XXX

| Asm-Index | Part Number | Units | Description |
|------------------|--------------------|--------------|--|
| 15-41 | 99A1526 | 1 | Printhead Assembly 010/01n |
| 15-41 | 99A1527 | 1 | Printhead Assembly 212/21n |
| 15-41 | 99A1528 | 1 | Printhead Assembly 414 |
| 15-41 | 99A1873 | 1 | Printhead Assembly, 616/61n |
| 15-41 | 99A1867 | 1 | Printhead Assembly, 41b/41e/41l |
| 15-42 | 99A0889 | 1 | Cable, Laser |
| 15-43 | 99A1573 | 1 | Cable, Fuser DC EP Autoconnect to Engine Board |
| 15-44 | 99A0173 | 1 | Solenoid Assembly, Envelope Conditioner |
| 15-45 | 99A1553 | 1 | Board Assembly |
| 15-46 | 99A1551 | 1 | Sensor, Exit |
| 15-47 | 99A1603 | 1 | Cover, Fuser Assembly with Thermistor, Thermal Fuse and RH Fuser Lamp Contact Assembly |
| 15-48 | 99A1648 | 1 | Cable, DC EP Autoconnect to Fuser Board |
| 15-49 | 99A1651 | 1 | Sensor, Narrow Media |
| 15-50 | 99A1554 | 1 | Cable, AC EP Autoconnect to Fuser Cover |
| 15-51 | 99A1575 | 1 | Cable, Fuser AC EP Autoconnect to LVPS |
| 15-52 | 99A0247 | 1 | Cable, Hysnc |
| 15-53 | 99A0250 | 1 | Cable, Mirror Motor |
| NS | 99A1612 | 1 | Cable, Deflector |

4069-XXX

Assembly 16: 250 Sheet Tray

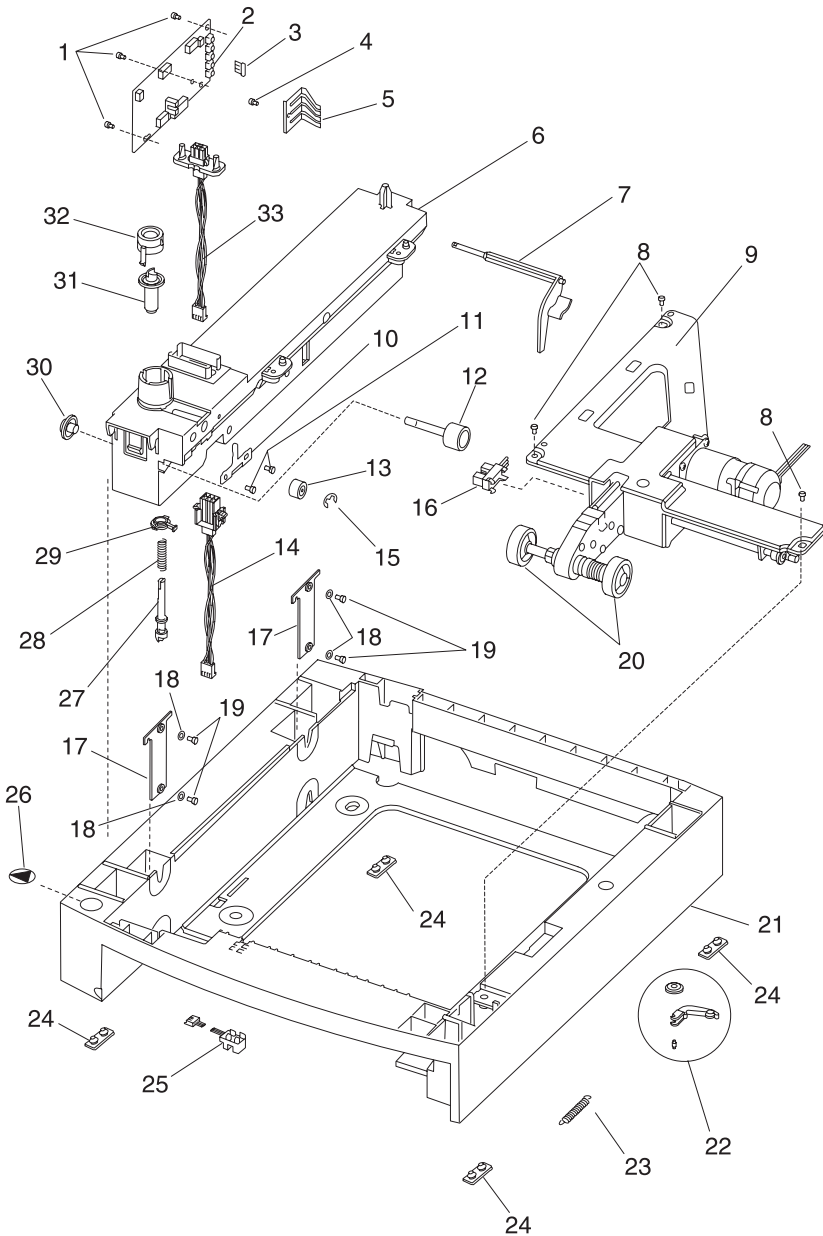


4069-XXX

| Asm-Index | Part Number | Units | Description |
|------------------|--------------------|--------------|--|
| 16-1 | | 3 | Screw, Option Board Mounting PP 99A0263 |
| 16-2 | 99A1967 | 1 | Board, Option Tray |
| 16-3 | 99A0627 | 1 | Jumper, 2-pin |
| 16-4 | | 1 | Screw, Switch Activate Spring Mounting PP 99A0263 |
| 16-5 | 99A0063 | 1 | Spring, Switch Activate |
| 16-6 | 99A0445 | 1 | Stud Assembly, 250 Frame |
| 16-7 | 99A0448 | 1 | Arm, Paper Out 250 |
| 16-8 | | 3 | Screw, Auto Comp Mounting PP 99A0263 |
| 16-9 | 99A1054 | 1 | Pick Arm Assembly |
| 16-10 | 99A0277 | 1 | Wear Plate, Pass Thru 250 Tray |
| 16-11 | | 2 | Screw, Wear Plate Mounting PP 99A0263 |
| 16-12 | 99A0276 | 1 | Roll Assembly, Drive 500 Dual |
| 16-13 | 99A0451 | 1 | Roller, Skewed Backup |
| 16-14 | 99A0282 | 1 | Cable, 250 Tray Option |
| 16-15 | 99A0450 | 1 | Retainer, Roller |
| 16-16 | 99A0350 | 1 | Sensor, Paper Low |
| 16-17 | 99A0679 | 2 | Bracket, 250 Frame Retention |
| 16-18 | | 4 | Washer, Bracket 250 Frame Retention Mounting PP 99A0677 |
| 16-19 | | 4 | Screw, Bracket 250 Frame Retention Mounting PP 99A0263 |

4069-XXX

Assembly 16: 250 Sheet Tray (continued)

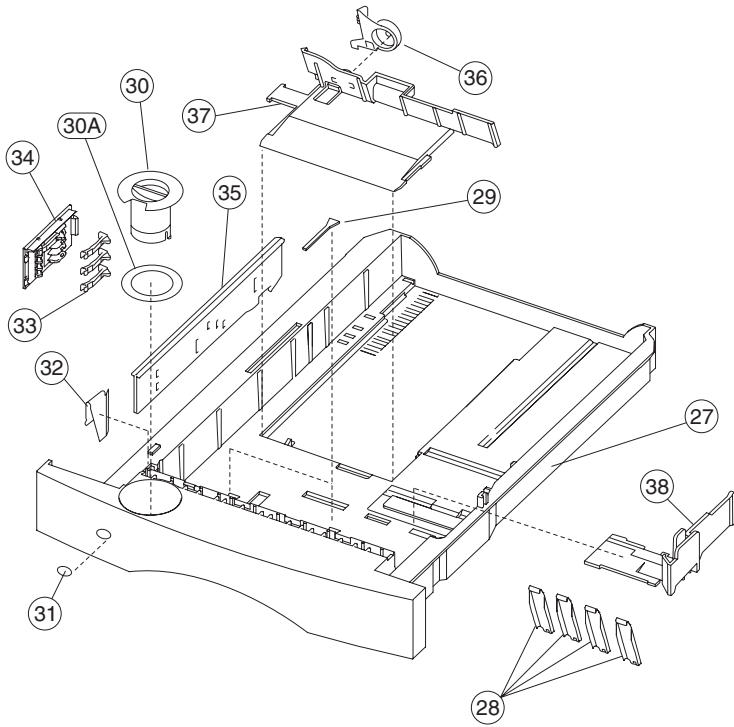


4069-XXX

| Asm-Index | Part Number | Units | Description |
|------------------|--------------------|--------------|-----------------------------------|
| 16-20 | 99A0070 | 2 | Roll Assembly, Pick |
| NS | 99A0438 | 2 | Bushing, Drive Roll |
| 16-21 | 99A1638 | 1 | Base, 250 Option |
| 16-22 | 99A0026 | 1 | Tray Bias Arm Assembly |
| 16-23 | 99A0419 | 1 | Spring, Tray Bias |
| 16-24 | 99A0058 | 4 | Pad, Machine Mounting |
| 16-25 | 99A0288 | 1 | Sensor, Option Pass Thru |
| 16-26 | 99A1666 | 1 | Label, Options |
| 16-27 | 99A0272 | 1 | Shaft, 250 Drive |
| 16-28 | 99A0275 | 1 | Spring, Power Takeoff |
| NS | 99A0278 | 1 | Bellcrank, Roller Release |
| 16-29 | 99A0280 | 1 | Bushing, Drive Shaft Low |
| 16-30 | 99A0274 | 1 | Gear, Feed Roll |
| 16-31 | 99A0273 | 1 | Gear, Bevel |
| 16-32 | 99A0279 | 1 | Bearing, Drive Shaft |
| 16-33 | 99A0281 | 1 | Cable, 250 Auto Connect Option |
| NS | 99A1929 | 1 | Spring, Bellcrank 250 Tray Option |

4069-XXX

Assembly 16: 250 Sheet Tray (continued)

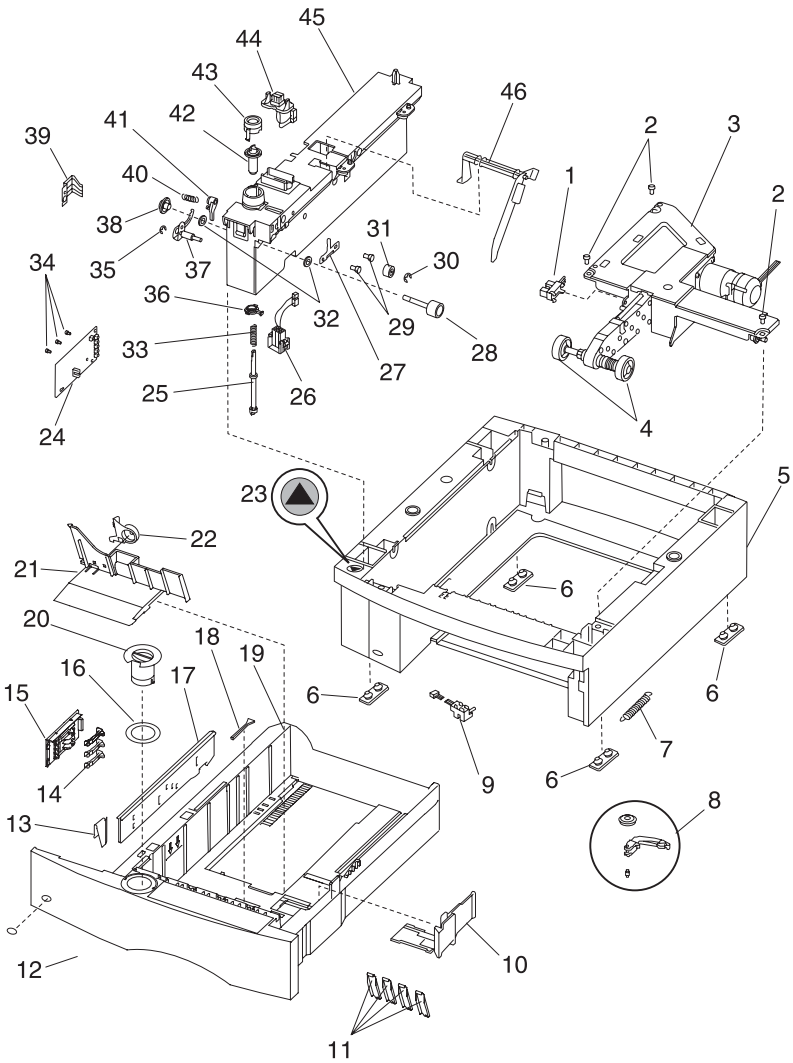


4069-XXX

| Asm-Index | Part Number | Units | Description |
|------------------|--------------------|--------------|---------------------------------|
| 16-34 | 99A1601 | 1 | Latch, Back Restraint |
| 16-35 | 99A0120 | 2 | Restraint Pad |
| 16-36 | 99A1536 | 1 | Tray Assembly, 250 Sheet Option |
| 16-37 | 99A1894 | 1 | Restraint, Side 250 Sheet Tray |
| 16-38 | 99A0119 | 4 | Wear Strips |
| 16-39 | 99A1637 | 1 | Label, Tray Option Number |
| 16-40 | 99A0121 | 1 | Clip, 250 Tray Wear |
| 16-41 | 99A0126 | 4 | Finger, Autosize |
| 16-42 | 99A0124 | 1 | Plate, Snap-In |
| 16-43 | 99A1952 | 1 | Label, Paper Size |
| 16-44 | 99A1537 | 1 | Knob, Paper Size |
| 16-45 | 99A0893 | 1 | Restraint, Back 250 Sheet Tray |
| 16-46 | 99A0127 | 1 | Slider, Autosize 250 |
| NS | 99A0286 | 1 | Spring, Backup Roller |

4069-XXX

Assembly 17: 500 Sheet Tray

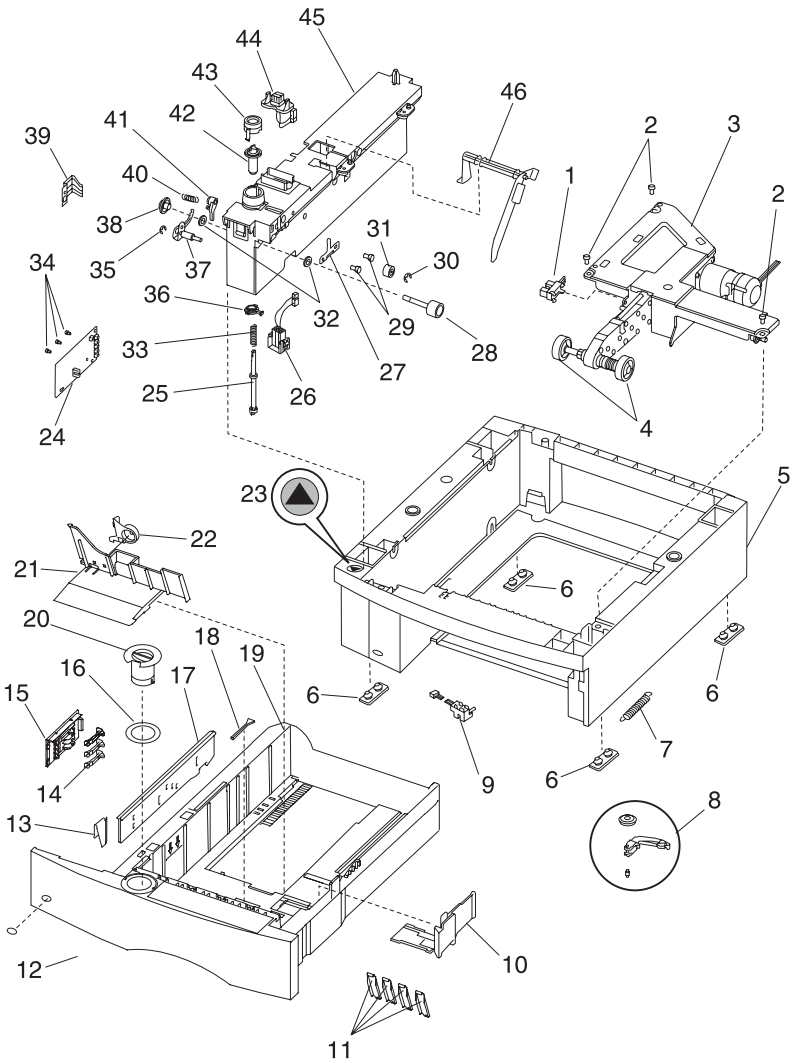


4069-XXX

| Asm-Index | Part Number | Units | Description |
|------------------|--------------------|--------------|--------------------------------------|
| 17-1 | 99A0350 | 1 | Sensor, Paper Low |
| 17-2 | | 3 | Screw, Auto Comp Mounting PP 99A0263 |
| 17-3 | 99A0405 | 1 | Pick Arm Assembly |
| 17-4 | 99A0070 | 2 | Pick Roll Assembly |
| 17-5 | 99A1636 | 1 | Base, 500 Tray |
| 17-6 | 99A0058 | 4 | Pad, Base 500 |
| 17-7 | 99A0419 | 1 | Spring, Tray Bias |
| 17-8 | 99A0026 | 1 | Tray Bias Arm Assembly |
| 16-9 | 99A0288 | 1 | Sensor, Option Pass Thru |
| 17-10 | 99A1895 | 1 | Restraint, Side 500 Sheet Tray |
| 17-11 | 99A0292 | 4 | Wear Strips |
| 17-12 | 99A1829 | 1 | Label, Tray Option Number |
| 17-13 | 99A1583 | 1 | Plate, 500 Tray Wear |
| 17-14 | 99A0126 | 4 | Finger, Autosize |
| 17-15 | 99A0124 | 1 | Plate, Snap-In |
| 17-16 | 99A1952 | 1 | Label, Paper Size |
| 17-17 | 99A1582 | 1 | Slider, Autosize 500 |
| 17-18 | 99A0120 | 2 | Restraint Pad |
| 17-19 | 99A1576 | 1 | Tray Assembly, 500 Sheet |
| 17-20 | 99A1537 | 1 | Knob, Paper Size |
| 17-21 | 99A1602 | 1 | Restraint, Back 500 Sheet Tray |
| 17-22 | 99A1601 | 1 | Latch, Back Restraint |
| 17-23 | 99A1666 | 1 | Label, Options |
| 17-24 | 99A1967 | 1 | Board, Tray |
| 17-25 | 99A0447 | 1 | Shaft, 500 Drive |

4069-XXX

Assembly 17: 500 Sheet Tray (continued)

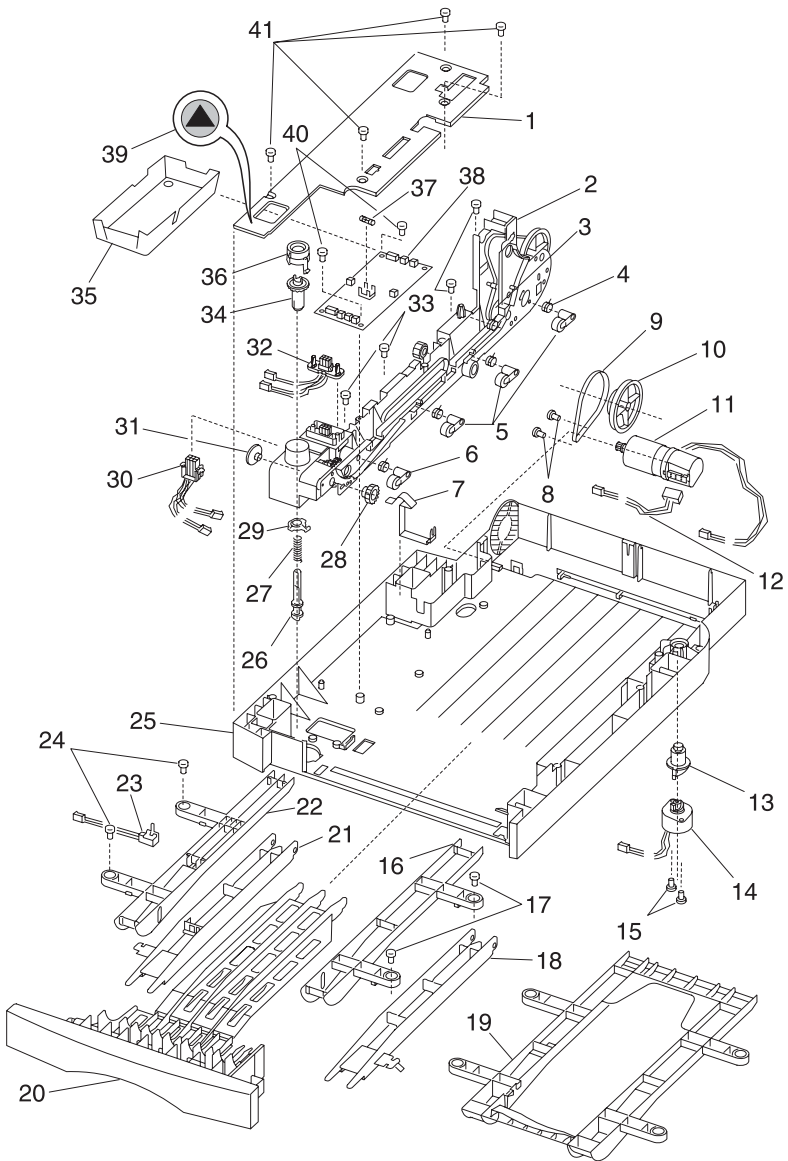


4069-XXX

| Asm-Index | Part Number | Units | Description |
|------------------|--------------------|--------------|---------------------------------------|
| 17-26 | 99A0282 | 1 | Cable, 500 Auto Connect Bottom |
| 17-27 | 99A1750 | 1 | Wear Plate, Pass Thru |
| 17-28 | 99A0276 | 1 | Roll Assembly, Drive 500 |
| 17-29 | | 2 | Screw, Wear Plate Mounting PP 99A0263 |
| 17-30 | 99A0450 | 1 | Retainer, Roller |
| 17-31 | 99A0451 | 1 | Roller, Skewed Backup |
| 17-32 | 99A0438 | 2 | Bearing, Drive Roll |
| 17-33 | 99A0275 | 1 | Spring, Power Takeoff |
| 17-34 | | 3 | Screw, Board Mounting PP 99A0263 |
| 17-35 | | 1 | Retainer, Aligner Assembly PP 99A0267 |
| 17-36 | 99A0280 | 1 | Bearing, Drive Shaft Low |
| 17-37 | 99A0446 | 1 | Aligner Assembly, Paper |
| 17-38 | 99A0274 | 1 | Gear, Feed Roll |
| 17-39 | 99A0063 | 1 | Spring, Switch Activate |
| 17-40 | 99A0286 | 1 | Spring, Backup Roller |
| 17-41 | 99A1664 | 1 | Bellcrank, Roller Release |
| 17-42 | 99A0273 | 1 | Gear, Bevel |
| 17-43 | 99A0279 | 1 | Bearing, Drive Shaft |
| 17-44 | 99A0281 | 1 | Cable, 500 Auto Connect Top |
| 17-45 | 99A1702 | 1 | Stud Assembly, 500 Frame |
| 17-46 | 99A1645 | 1 | Arm, Paper Out 500 |
| NS | 99A0452 | 4 | Washer, Frame Mounting |
| NS | 99A1665 | 1 | Deflector, Base 500 |
| NS | 99A1667 | 2 | Bracket, 500 Tray Retention |
| NS | 99A1928 | 1 | Spring, Bellcrank 500 Option Tray |
| NS | 99A1950 | 1 | Tray Feature, Photo Bag Tray Assembly |
| NS | 99A1951 | 1 | Sprint, Photo Bag Transfer |

4069-XXX

Assembly 18: Duplex

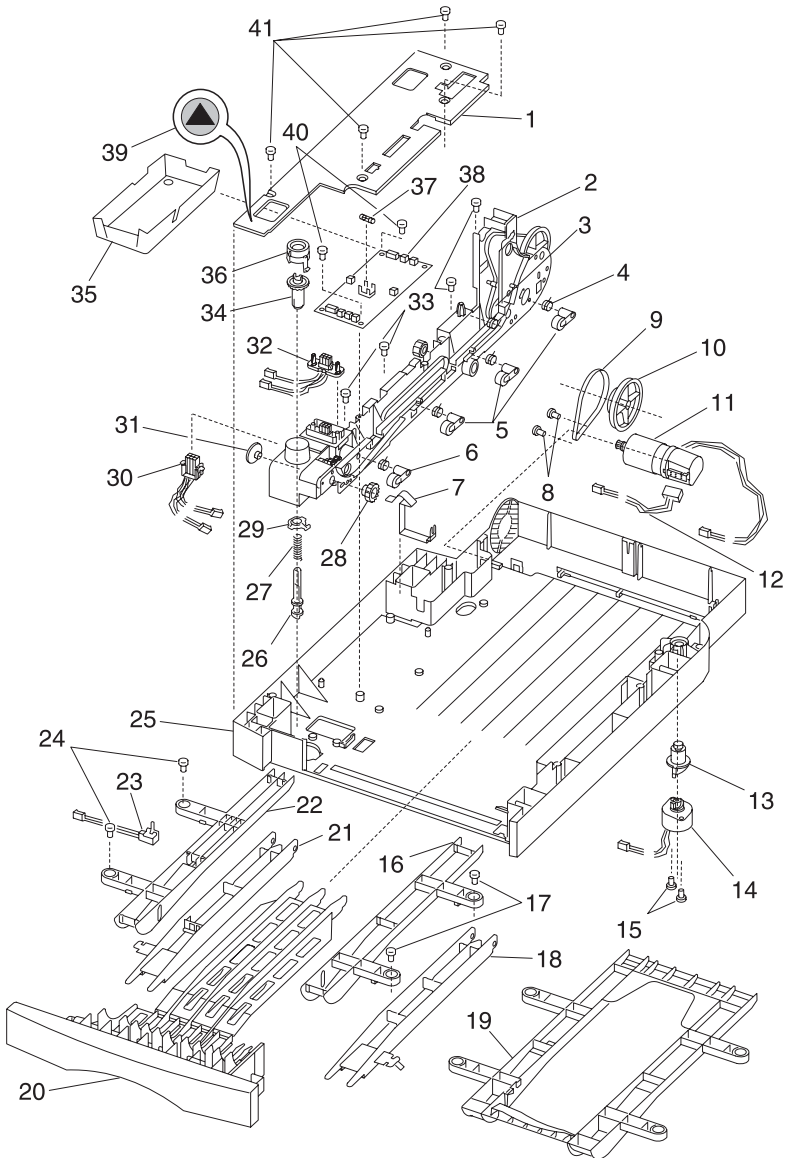


4069-XXX

| Asm-Index | Part Number | Units | Description |
|------------------|--------------------|--------------|---|
| 18-1 | 99A1674 | 1 | Cover, System Board |
| 18-2 | 99A0322 | 1 | Main Frame Assembly 250 Duplex |
| 18-2 | 99A1693 | 1 | Main Frame Assembly 500 Duplex |
| 18-3 | 99A0324 | 1 | Idler Assembly, Belt Tension |
| 18-4 | 99A0326 | 3 | Spring, Aligner |
| 18-5 | 99A0323 | 3 | Guide Assembly, Paper |
| 18-6 | 99A1675 | 1 | Guide Assembly, Paper |
| 18-7 | 99A1904 | 2 | Spring, Chassis Ground |
| 18-8 | | 2 | Screw, Motor Mount 3 mm PP 99A0413 |
| 18-9 | 99A0328 | 1 | Belt, Motor 114 Gear |
| 18-10 | 99A0329 | 1 | Pulley, Main Drive 96/54 Gear |
| 18-11 | 99A0321 | 1 | Motor Assembly, DC Drive |
| 18-12 | 99A1673 | 1 | Cable, D.C. Motor Tach 250 Duplex |
| 18-13 | | 1 | Cam Follower Assembly Kit PP 99A0299 |
| 18-14 | 99A0312 | 1 | Actuator Assembly, Deflector |
| 18-15 | | 2 | Screw, Actuator Assembly Mounting PP 99A0413 |
| 18-16 | 99A1130 | 1 | Guide, Return RH Upper 250 Duplex |
| 18-17 | | 2 | Screw, Upper Return Guide Mounting PP 99A0413 |
| 18-18 | 99A0340 | 1 | Guide, Return RH Lower 250 Duplex |
| 18-18 | 99A1680 | 1 | Guide, Return RH Lower 500 Duplex |
| 18-19 | 99A1579 | 1 | Guide, Upper 500 Duplex |
| 18-20 | 99A1133 | 1 | Tray Assembly, Jam Removal 250 Duplex |
| 18-20 | 99A1134 | 1 | Tray Assembly, Jam Removal 500 Duplex |
| NS | | 2 | Retainer 6 mm - Backup Roll PP 99A0404 |
| NS | | 2 | Screw, M3x6L:G Supradrive PP 99A0413 |

4069-XXX

Assembly 18: Duplex (continued)

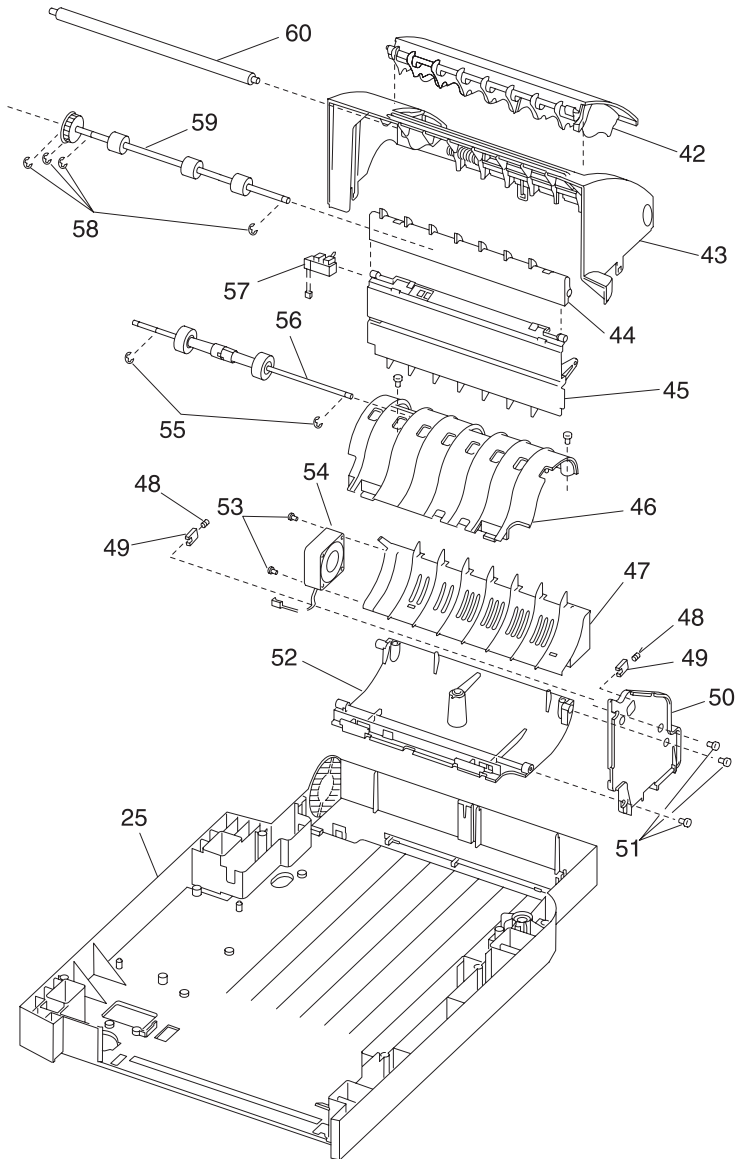


4069-XXX

| Asm-Index | Part Number | Units | Description |
|------------------|--------------------|--------------|--|
| 18-21 | 99A0342 | 1 | Guide, LH Lower Return 250 Duplex |
| 18-21 | 99A1682 | 1 | Guide, LH Lower Return 500 Duplex |
| 18-22 | 99A1131 | 1 | Guide, Return LH Upper 250 Duplex |
| 18-23 | 99A0341 | 1 | Sensor, Exit - Optical |
| 18-24 | | 2 | Screw, LH Upper Return Guide Mounting PP 99A0413 |
| 18-25 | 99A1668 | 1 | Base Assembly, w/Tray Bias 250 Duplex |
| 18-25 | 99A1677 | 1 | Base Assembly, w/Tray Bias 500 Duplex |
| 18-26 | 99A0316 | 1 | Shaft, Duplex Drive |
| 18-27 | 99A0315 | 1 | Spring, Duplex Shaft |
| 18-28 | 99A0325 | 1 | Gear, Pass Thru Idler |
| 18-29 | 99A0280 | 1 | Bearing, Drive Shaft Low |
| 18-30 | 99A0311 | 1 | Cable, Auto Connect Bottom |
| 18-31 | 99A0274 | 1 | Gear, Pass Thru Drive Roll |
| 18-32 | 99A0310 | 1 | Cable, Auto Connect Top |
| 18-33 | | 4 | Screw, Main Frame Assembly Mounting PP 99A0413 |
| 18-34 | 99A0317 | 1 | Gear, Duplex Bevel |
| 18-35 | 99A0434 | 1 | Pan, System Board Drip |
| 18-36 | 99A0279 | 1 | Bearing, Drive Shaft |
| 18-37 | 99A0191 | 1 | Fuse, .8A SB |
| 18-38 | 99A1669 | 1 | Board, System with Jumper 250/500 Duplex |
| NS | 99A0627 | 1 | Jumper, System Board 250 Duplex |
| 18-39 | 99A1666 | 1 | Label, Options |
| 18-40 | | 2 | Screw, System Board Mounting PP 99A0413 |
| 18-41 | | 4 | Screw, System Board Cover PP 99A0413 |
| NS | 99A1129 | 1 | Roller, Duplex Pass Thru |

4069-XXX

Assembly 18: Duplex (continued)

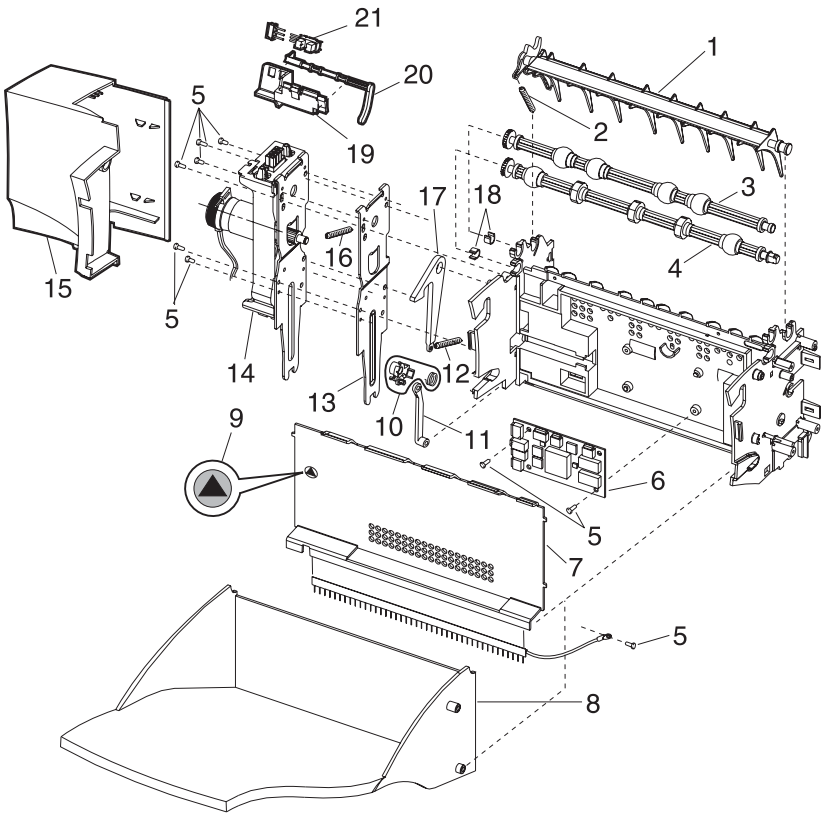


4069-XXX

| Asm-Index | Part Number | Units | Description |
|------------------|--------------------|--------------|---|
| 18-42 | 99A1290 | 1 | Top Cover Assembly, Movable 250 Duplex |
| 18-42 | 99A1280 | 1 | Top Cover Assembly, Movable 500 Duplex |
| 18-43 | 99A1634 | 1 | Top Cover Assembly, Fixed 250 Duplex |
| 18-43 | 99A1679 | 1 | Top Cover Assembly, Fixed 500 Duplex |
| NS | | 1 | Retainer, 6 mm Top Cover PP 99A0404 |
| 18-44 | 99A0435 | 1 | Guide, Lower Entry 250 Duplex |
| 18-44 | 99A1691 | 1 | Guide, Lower Entry 500 Duplex |
| 18-45 | 99A1672 | 1 | Guide Assembly, Paper Decurl |
| 18-46 | 99A0332 | 1 | Guide, Center Drive Upper |
| 18-47 | 99A0307 | 1 | Air Plenum |
| 18-48 | 99A0335 | 2 | Spring, Decurl Shaft |
| 18-49 | 99A0334 | 2 | Bushing, Decurl Shaft |
| 18-50 | 99A0952 | 1 | Frame Assembly, 250 Duplex |
| 18-51 | | 3 | Screw, Outer Frame PP 99A0413 |
| 18-52 | 99A0330 | 1 | Guide Assembly, Center Drive |
| 18-53 | | 1 | Fan Mounting Kit PP 99A0269 |
| | | 2 | o Screw, Fan Mounting M4x30 |
| | | 2 | o Washer, Fan - M4 |
| | | 2 | o Nut, Fan - M4 |
| 18-54 | 99A0308 | 1 | Fan, Cooling Duplex |
| 18-55 | | 2 | Retainer, 5 mm Main Drive PP 99A0404 |
| 18-56 | 99A0337 | 1 | Main Drive Assembly |
| 18-57 | 99A0319 | 1 | Sensor, Input Optical 250 Duplex |
| 18-57 | 99A1676 | 1 | Sensor, Input Optical 500 Duplex |
| 18-58 | | 4 | Retainer, 6 mm Drive Roll PP 99A0404 |
| 18-59 | 99A0336 | 1 | Shaft Assembly, Drive 250 Duplex |
| 18-59 | 99A1692 | 1 | Shaft Assembly, Drive 3 Roll 500 Duplex |
| NS | 99A1695 | 1 | Shaft Assembly, Drive 2 Roll 500 Duplex |
| 18-60 | 99A1059 | 1 | Shaft Assembly, Decurl |
| NS | | 1 | Screw, Tensioner PP 99A0413 |
| NS | | 2 | Retainer, 6 mm Clutch Roll PP 99A0404 |
| NS | 99A0058 | 4 | Feet, Duplex Base |
| NS | 99A1164 | 1 | Guide, Debuckle |

4069-XXX

Assembly 19: Output Expander

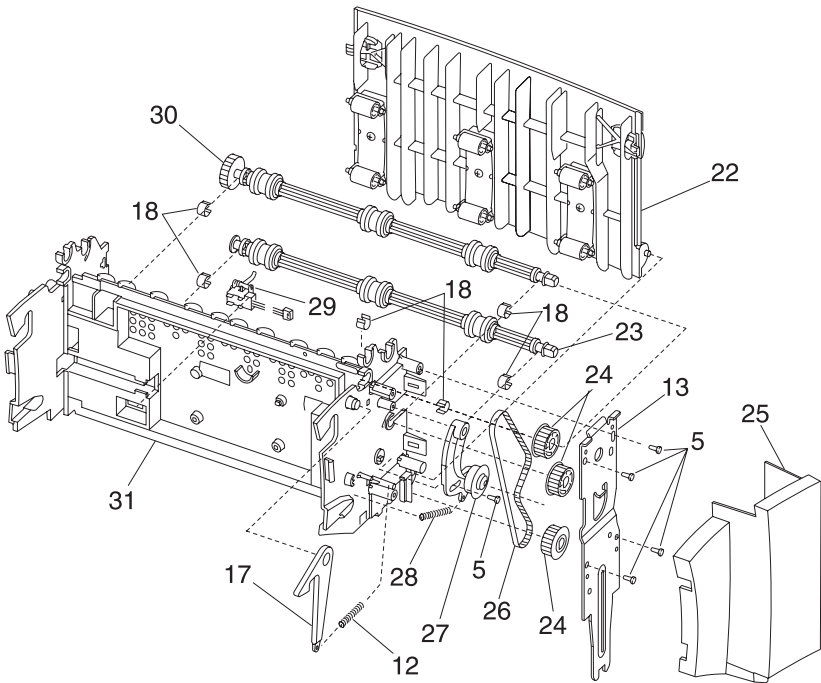


4069-XXX

| Asm-Index | Part Number | Units | Description |
|------------------|--------------------|--------------|---|
| 19-1 | 99A1857 | 1 | Deflector, Upper Redrive Also order 99A0104 |
| 19-2 | 99A0104 | 1 | Spring, Upper Diverter |
| 19-3 | 99A0369 | 1 | Shaft Assembly, Exit Also order PP 99A0572 |
| 19-4 | 99A0052 | 1 | Shaft Assembly, Lower Exit Also order PP 99A0572 |
| 19-5 | | 11 | Screw, PP 99A0263 |
| 19-6 | 99A0915 | 1 | Board, Output Expander DC motor |
| 19-7 | 99A0571 | 1 | Cover, Front Control Board with ESD Brush |
| 19-8 | 99A1817 | 1 | Tray, Output Expander |
| 19-9 | 99A1666 | 1 | Label, Options |
| 19-10 | 99A1689 | 1 | Spring Clutch Assembly |
| 19-11 | 99A1688 | 1 | Diverter Arm |
| 19-12 | 99A0482 | 1 | Spring, Output Tray |
| 19-13 | 99A1784 | 2 | Bracket, Attach |
| 19-14 | 99A0914 | 1 | Output Expander Assembly, Mechanical Linkage |
| 19-15 | 99A0372 | 1 | Cover, Left Side |
| 19-16 | 99A0415 | 2 | Spring, Swing Arm |
| 19-17 | 99A0481 | 1 | Latch, Output Tray |
| 19-18 | | 2 | Shaft Bearing PP 99A0572 |
| 19-19 | 99A0409 | 1 | Level Sensor Bracket |
| 19-20 | 99A1580 | 1 | Flag, Output Paper Level |
| 19-21 | 99A0414 | 1 | Sensor, Dual Bin Full |

4069-XXX

Assembly 19: Output Expander (continued)

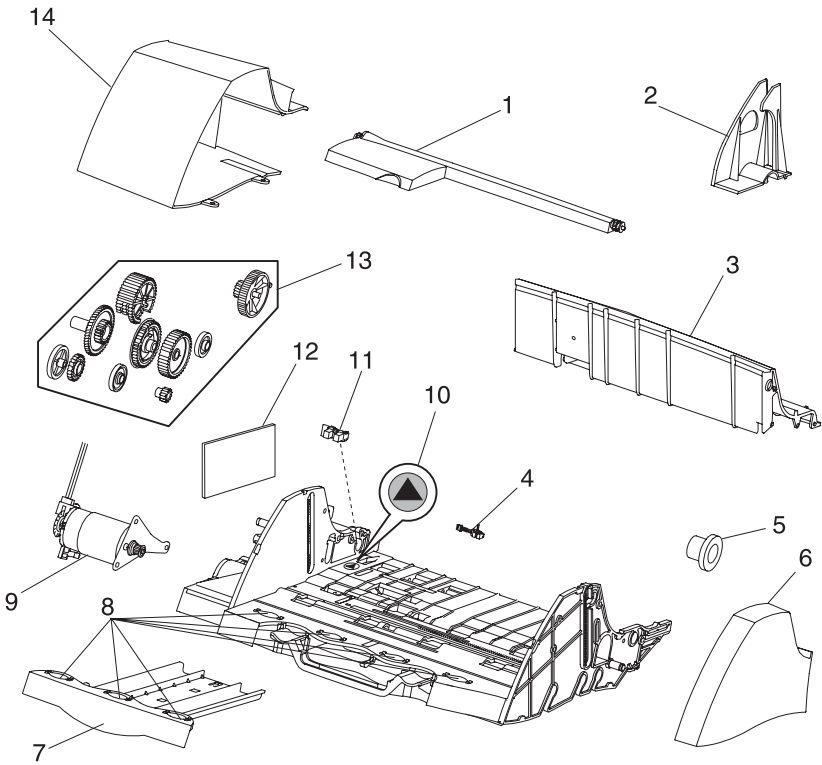


4069-XXX

| Asm-Index | Part Number | Units | Description |
|------------------|--------------------|--------------|---|
| 19-22 | 99A1748 | 1 | Door Assembly, Rear Access |
| 19-23 | 99A0368 | 1 | Shaft Assembly, Lower Also order PP 99A0572 |
| 19-24 | 99A0363 | 3 | Pulley, Drive |
| 19-25 | 99A0371 | 1 | Cover, Right Side |
| 19-26 | 99A0361 | 1 | Belt, 160 Gear |
| 19-27 | 99A0362 | 1 | Arm Assembly, Belt Idler |
| 19-28 | 99A0364 | 1 | Spring, Belt Tensioner |
| 19-29 | 99A0351 | 1 | Sensor, Output Expander Pass Thru |
| 19-30 | 99A0913 | 1 | Shaft Assembly, Middle 40T Also order PP 99A0572 |
| 19-31 | 99A0912 | 1 | Frame Assembly |

4069-XXX

Assembly 20: Envelope Feeder

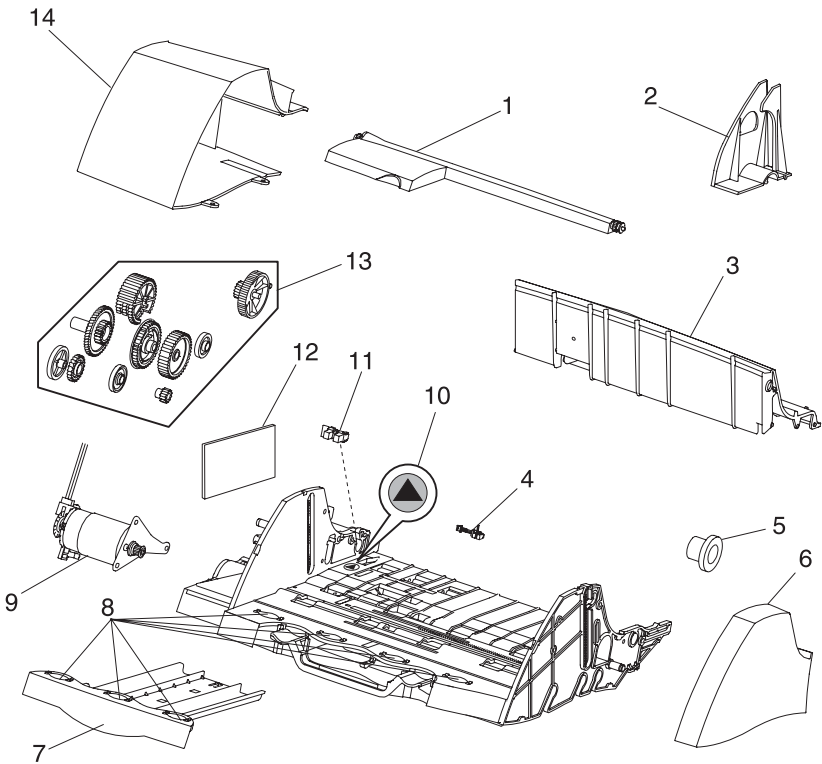


4069-XXX

| Asm-Index | Part Number | Units | Description |
|------------------|--------------------|--------------|------------------------------------|
| 20-1 | 99A0389 | 1 | Paper Weight Assembly |
| 20-2 | 99A1694 | 1 | Guide, Edge |
| 20-3 | 99A1696 | 1 | Cover, Top |
| 20-4 | 99A0485 | 1 | Sensor, Envelope Pass Thru |
| 20-5 | 99A0393 | 1 | Clutch, Restraint/Gear |
| 20-6 | 99A1697 | 1 | Cover, Right Side |
| 20-7 | 99A0390 | 1 | Support, Slide Out |
| 20-8 | 99A0488 | 7 | Roller, Support |
| 20-9 | 99A0382 | 1 | Motor, Stepper D.C. |
| 20-10 | 99A1666 | 1 | Label, Options |
| 20-11 | 99A0388 | 1 | Switch, Envelope Out |
| 20-12 | 99A1700 | 1 | Board Assembly, Electronic Control |
| NS | | 6 | Screw, Top/Motor/Board |
| NS | 99A0484 | 1 | Belt, Gear Drive |
| NS | 99A0491 | 1 | Bracket, Stack Limiter |
| NS | 99A0400 | 1 | Spring, Restraint Roll Shaft |
| NS | 99A0489 | 1 | Spring, Latch Return |
| NS | 99A0487 | 1 | Flag, Envelope Out Sensor |

4069-XXX

Assembly 20: Envelope Feeder (continued)

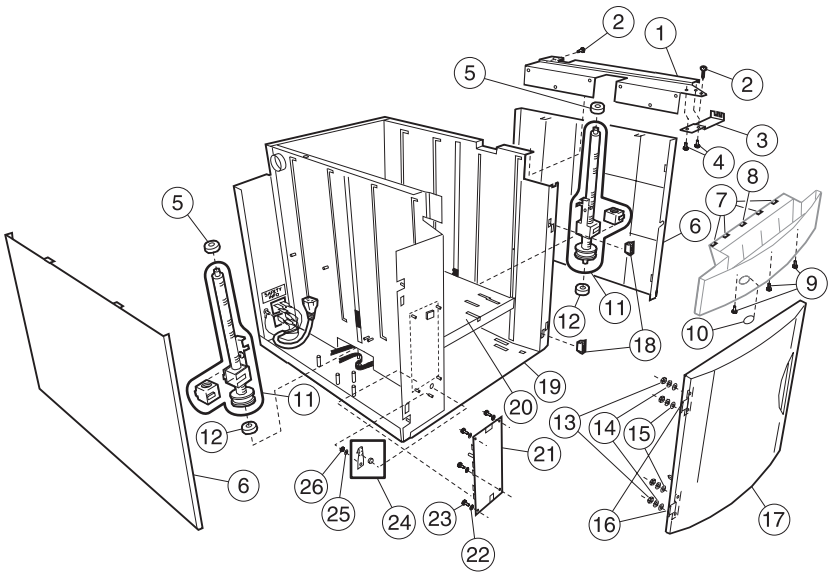


4069-XXX

| Asm-Index | Part Number | Units | Description |
|-----------|-------------|-------|--------------------------------------|
| 20-13 | | 1 | Gear Kit, PP 99A0271 |
| | | 1 | o Gear, Feed |
| | | 1 | o Gear, Master Cam |
| | | 1 | o Gear, Drive Roll Shaft |
| | | 3 | o Gear, Master/Feed Kick |
| | | 2 | o Gear, Drive Idler |
| | | 1 | o Gear, Comp Drive/Clutch |
| | | 1 | o Gear, Kick Roll Connect |
| | | 1 | o Gear, Kick CNCT Idler |
| | | 1 | o Gear, Feed Shaft Right |
| | | 1 | o Gear, Drive Idler Rear |
| 20-14 | 99A1698 | 1 | Cover, Left Side |
| NS | | 1 | Retainer, 4 mm PP 99A0404 |
| NS | | 3 | Retainer, Clip 5 mm Shaft PP 99A0404 |
| NS | | 2 | Retainer, 6 mm PP 99A0404 |
| NS | | 3 | Retainer, 7 mm Shaft PP 99A0404 |
| NS | 99A0384 | 1 | Shaft, Drive Pressure Roller |
| NS | 99A0385 | 1 | Cable, Auto Connect Front |
| NS | 99A0494 | 1 | Spring, Cam Clutch |
| NS | 99A0427 | 1 | Label, Envelope Orientation Icon |
| NS | 99A0469 | 1 | Deflector Guide |
| NS | 99A1699 | 1 | Guard, Pass Through Sensor |

4069-XXX

Assembly 21: High Capacity Feeder

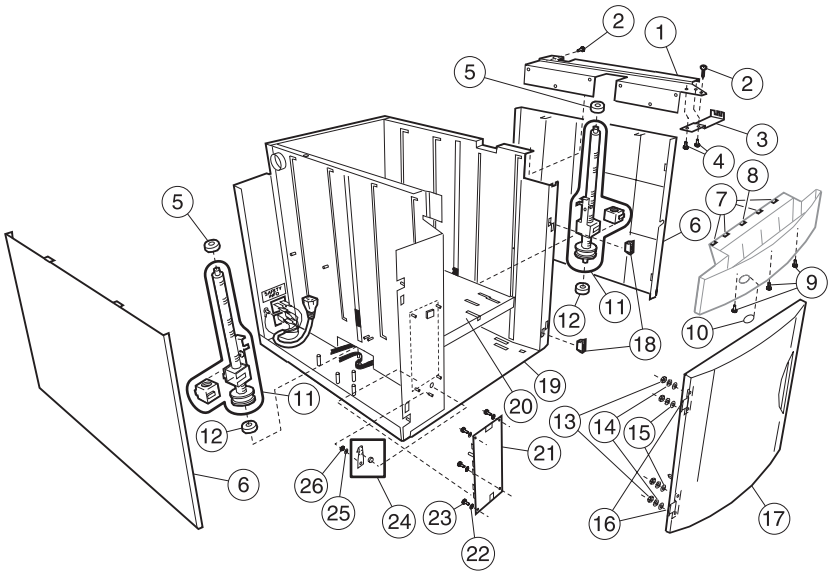


4069-XXX

| Asm-Index | Part Number | Units | Description |
|------------------|--------------------|--------------|---|
| 21-1 | 99A0660 | 1 | Frame, Printer Support Frame 2 |
| 21-2 | | 3 | Screw, Printer Support 2 Frame Mounting PP 99A0675 |
| 21-3 | 99A0698 | 2 | Clamp, Feed Frame |
| 21-4 | | 4 | Screws, Feed Frame Clamp PP 99A0675 |
| 21-5 | 99A0691 | 2 | Bearing, Nyliner Leadscrew Top |
| 21-6 | 99A0656 | 1 | Cover, Side |
| 21-7 | 99A0681 | 4 | Strip, Wear |
| 21-8 | 99A1818 | 1 | Strip, Wear Dimple |
| 21-9 | 56P1735 | 1 | Deflector Assembly Front |
| 21-10 | | 3 | Screw, Deflector Mounting 8-18 x 7/8 inch PP 99A0675 |
| 21-11 | 99A1829 | 1 | Label, Tray Option Number |
| 21-12 | 99A0662 | 2 | Transfer Lead Screw Assembly |
| 21-13 | 99A0716 | 1 | Bearing, Leadscrew Bottom |
| NS | | 6 | Washer, Printer Support Frame 2 Star PP 99A0677 |
| NS | | 6 | Nut, Printer Support Frame 2, 8-32 Hex PP 99A0676 |

4069-XXX

Assembly 21: High Capacity Feeder (continued)

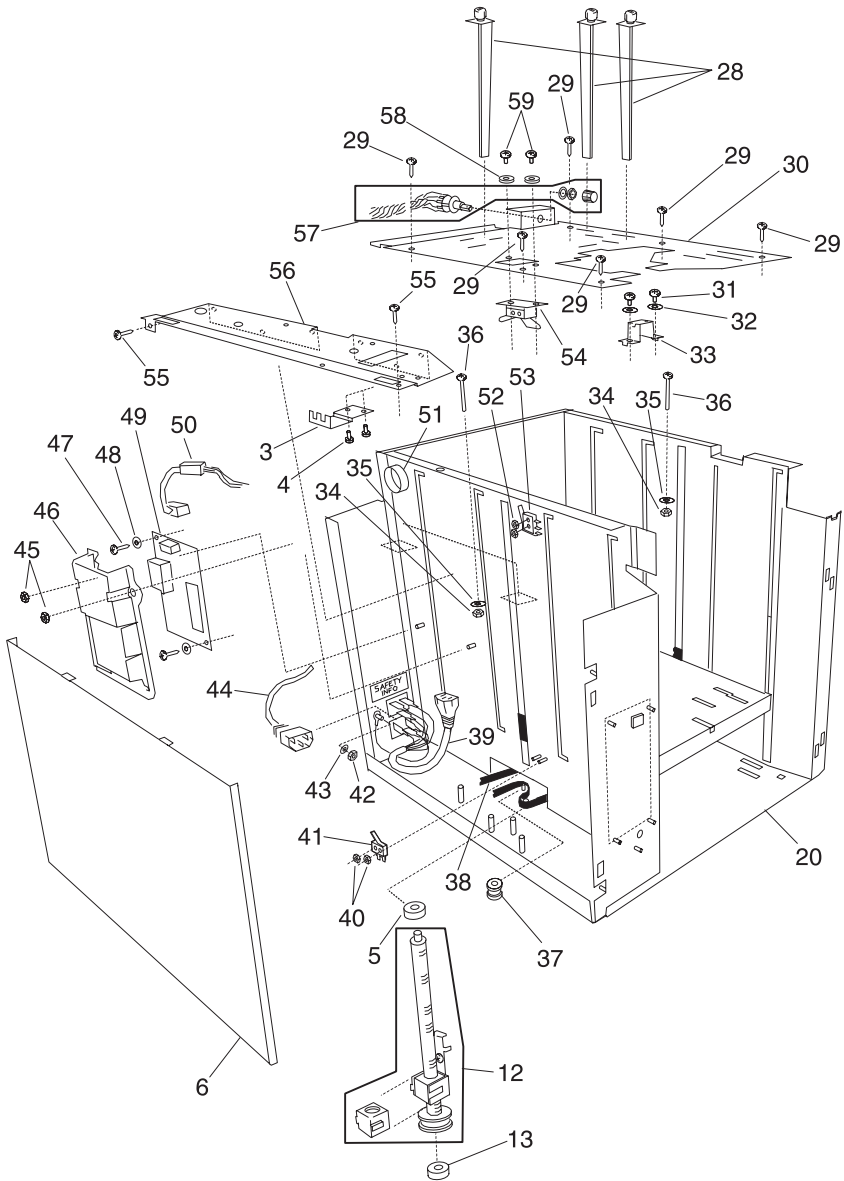


4069-XXX

| Asm-Index | Part Number | Units | Description |
|------------------|--------------------|--------------|--|
| 21-14 | | 4 | Nut, 6-32 Hinge Mounting PP 99A0676 |
| 21-15 | | 4 | Washer, Hinge Mounting Flat PP 99A0677 |
| 21-16 | | 4 | Washer, Hinge Mounting Star PP 99A0677 |
| 21-17 | 99A0657 | 2 | Hinge, Door |
| 21-18 | 99A0655 | 1 | Door Assembly, Front |
| 21-19 | 99A0658 | 2 | Magnet, Door |
| 21-20 | 99A0650 | 1 | Frame Assembly |
| 21-21 | 99A0661 | 1 | Tray Assembly, Elevator |
| 21-22 | 99A1806 | 1 | Card Assembly, 2000 Option Control |
| 21-23 | | 4 | Washer, Card Assembly Mounting PP 99A0677 |
| 21-24 | | 4 | Screw, Card Assembly Mounting PP 99A0675 |
| 21-25 | 99A0392 | 1 | Kit, Door Switch Spring and Bumper |
| 21-26 | | 1 | Washer, Door Switch Spring Mounting PP 99A0677 |
| 21-27 | | 1 | Nut, Door Switch Spring Mounting PP 99A0676 |
| NS | 99A0690 | 1 | Cable, Optical Sensor |

4069-XXX

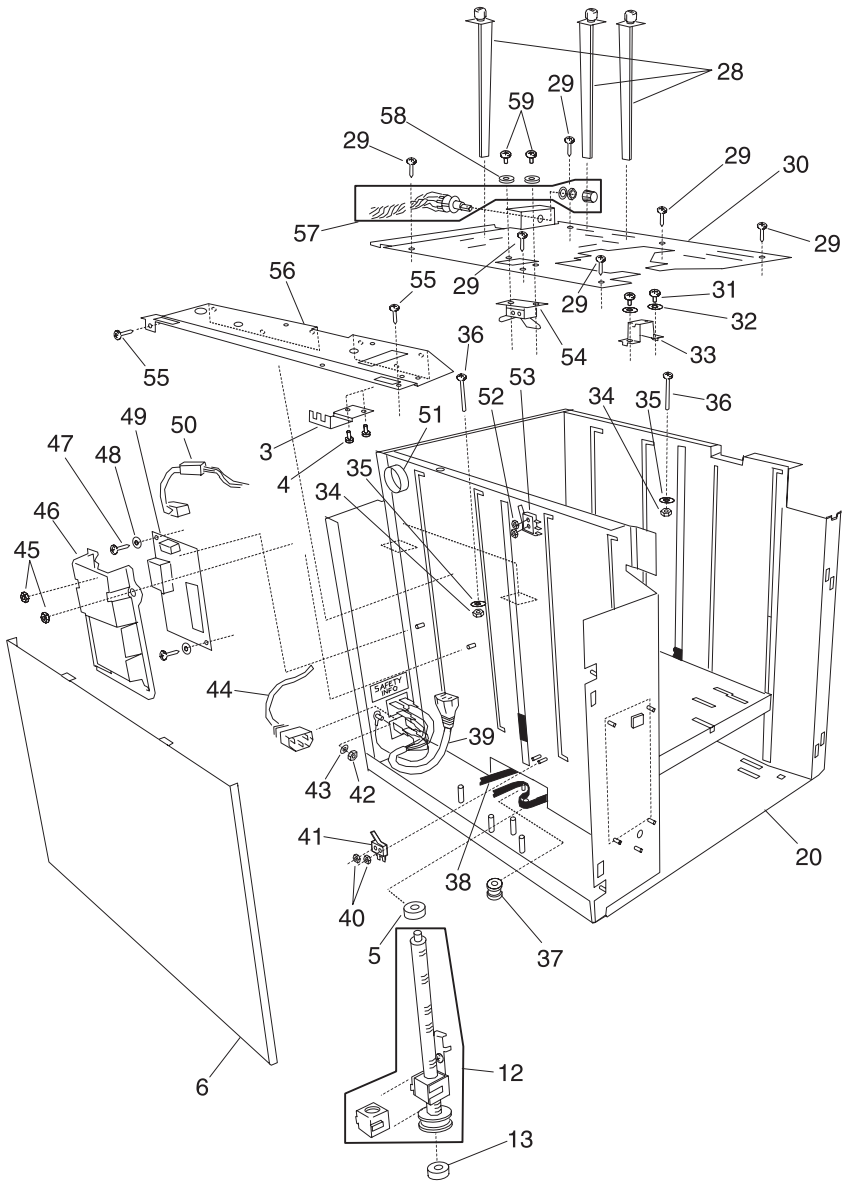
Assembly 21: High Capacity Feeder (continued)



4069-XXX

| Asm-Index | Part Number | Units | Description |
|------------------|--------------------|--------------|---|
| 21-28 | 99A0188 | 3 | Guide, Rear Paper with retainer arm Use with 99A0219 |
| 21-29 | | 6 | Screw, Top Frame Mounting PP 99A0675 |
| 21-30 | 99A0219 | 1 | Frame Assembly, Top with labels |
| 21-31 | | 2 | Screw, Top Frame Clamp Mounting PP 99A0675 |
| 21-32 | | 2 | Washer, Top Frame Clamp PP 99A0677 |
| 21-33 | 99A0719 | 1 | Clamp, Top Frame Mounting |
| 21-34 | | 2 | Nut, Base Mounting PP 99A0676 |
| 21-35 | | 2 | Washer, Base Mounting PP 99A0677 |
| 21-36 | | 2 | Screw, Base Mounting PP 99A0675 |
| 21-37 | 99A0663 | 1 | Pulley, Idler |
| 21-38 | 99A0664 | 1 | Belt, Drive |
| 21-39 | 99A1807 | 1 | Cable, AC Internal Wiring |
| 21-40 | | 2 | Nut, 2-56 Lower Limit Switch Mounting PP 99A0676 |
| 21-41 | 99A0653 | 1 | Switch, Lower Limit Microswitch |
| 21-42 | | 2 | Nut, Power Supply Ground PP 99A0676 |
| 21-43 | | 4 | Washer, Motor Plate Mounting PP 99A0677 |
| 21-44 | 99A1808 | 1 | Cord, AC External Jumper |
| 21-45 | | 2 | Nut, Power Supply Cover PP 99A0676 |
| 21-46 | 99A0714 | 1 | Cover, Power Supply |
| 21-47 | | 2 | Screw, Power Supply Board Mounting PP 99A0675 |

Assembly 21: High Capacity Feeder (continued)

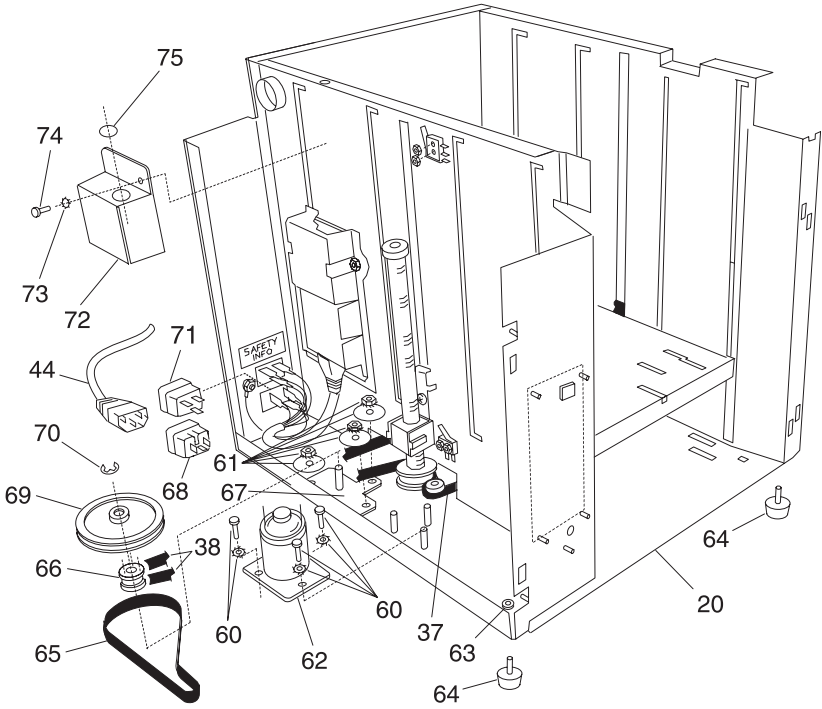


4069-XXX

| Asm-Index | Part Number | Units | Description |
|------------------|--------------------|--------------|--|
| 21-48 | | 2 | Washer, Power Supply Board PP 99A0677 |
| 21-49 | 99A0667 | 1 | Power Supply Board |
| 21-50 | 99A0715 | 1 | Cable, Low Voltage Power Supply |
| NS | 99A0684 | 1 | Cable, HCIT-14Pin Flex |
| 21-51 | 99A0685 | 1 | Bushing |
| 21-52 | | 2 | Nut, 2-56 Paper Low Switch Mounting PP 99A0676 |
| 21-53 | 99A0654 | 1 | Switch, Paper Low |
| 21-54 | 99A0651 | 1 | Sensor Assembly, Paper Out/Upper Limit |
| 21-55 | | 3 | Screw, Printer Support 1 Frame Mounting PP 99A0675 |
| NS | | 6 | Washer, Printer Support Frame 1 Star PP 99A0677 |
| NS | | 6 | Nut, Printer Support Frame 1 8-32 Hex PP 99A0676 |
| NS | | 10 | Screw, Door to Door Frame Mounting PP 99A0675 |
| 21-56 | 99A0659 | 1 | Frame, Printer Support 1 |
| 21-57 | 99A0695 | 1 | Parts Kit, Paper Size Switch Assembly including cable, switch, lock washer, nut and knob |
| 21-58 | | 2 | Washer, Sensor Bracket Mounting PP 99A0677 |
| 21-59 | | 2 | Screw, Sensor Bracket Mounting PP 99A0675 |

4069-XXX

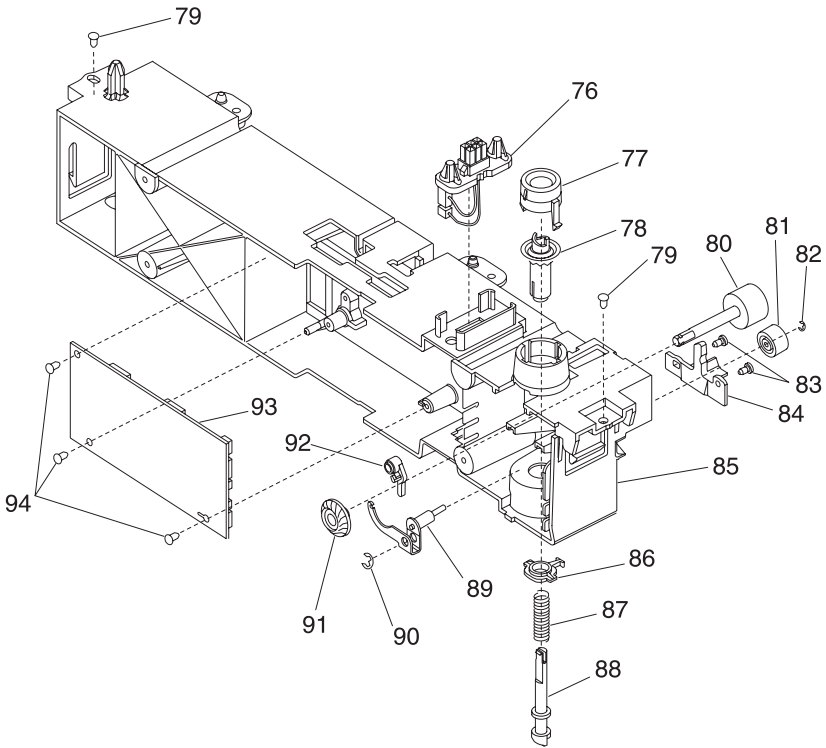
Assembly 21: High Capacity Feeder (continued)



4069-XXX

| Asm-Index | Part Number | Units | Description |
|------------------|--------------------|--------------|--|
| 21-60 | | 3 | Screw w/washer, Motor Mounting PP 99A1793 |
| 21-61 | | 3 | Nut w/lockwasher, Drive Pulley Plate PP 99A1794 |
| 21-62 | 99A1795 | 1 | Motor Assembly, DC |
| 21-63 | | 4 | Foot, Stabilizer PP 99A0672 |
| 21-64 | | 4 | Mounting Feet PP 99A0687 |
| 21-65 | 99A1796 | 1 | Belt, DC Motor Drive |
| 21-66 | 99A1797 | 1 | Idler Pulley, Belt Tension |
| 21-67 | 99A1798 | 1 | Plate, Drive Pulley |
| 21-68 | 99A1799 | 1 | AC Receptacle, Lower AC |
| 21-69 | 99A1800 | 1 | Pulley, Drive |
| 21-70 | 99A1801 | 1 | Retainer, C-Clip |
| 21-71 | 99A1802 | 1 | AC Receptacle, Upper AC |
| 21-72 | 99A1803 | 1 | Cover, Top LVPS |
| 21-73 | 99A1804 | 3 | Nut w/lockwasher, Top LVPS Cover Mounting |
| 21-74 | 99A1804 | 1 | Nut w/lockwasher, Top LVPS Cover Mounting |
| 21-75 | 99A1805 | 1 | Grommet, Top LVPS Cover |

Assembly 21: High Capacity Feeder (continued)

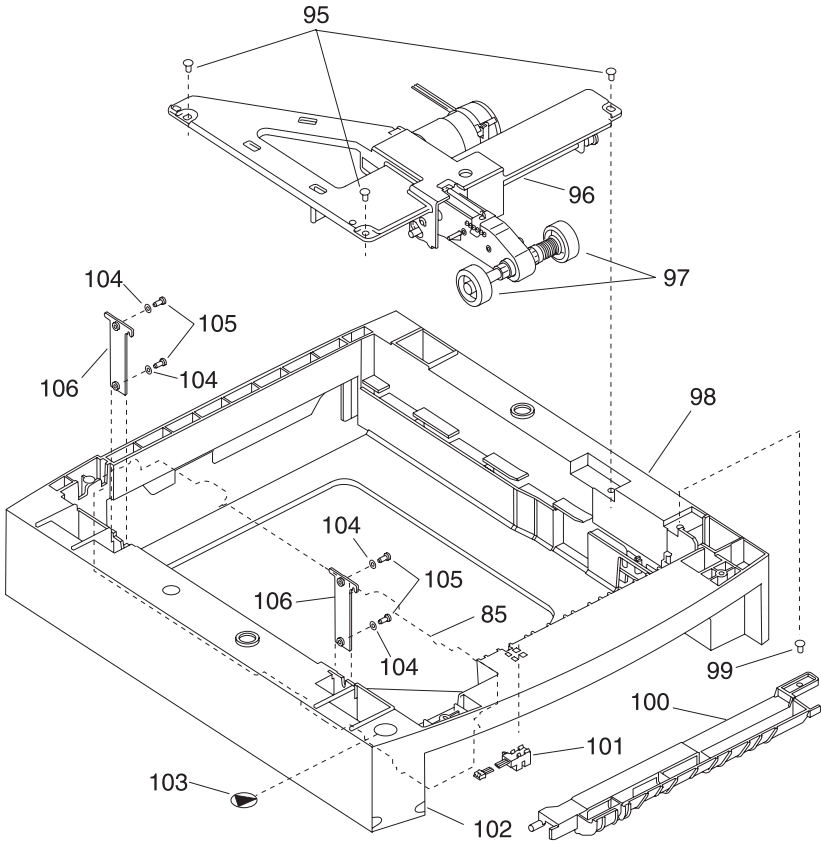


4069-XXX

| Asm-Index | Part Number | Units | Description |
|------------------|--------------------|--------------|--|
| 21-76 | 99A0281 | 1 | Cable, 250 Auto Connect |
| 21-77 | 99A0279 | 1 | Bearing, Drive Shaft |
| 21-78 | 99A0273 | 1 | Gear, Bevel |
| 21-79 | | 2 | Screw, Frame Mounting PP 99A0263 |
| 21-80 | 99A0276 | 1 | Roll Assembly, Drive 250 Option |
| 21-81 | 99A0451 | 1 | Roll, Skew Backup |
| 21-82 | | 1 | Retainer, Roller PP 99A0267 |
| 21-83 | | 2 | Screw, Wear Plate Mounting PP 99A0675 |
| 21-84 | 99A0277 | 1 | Plate Wear, Pass Thru |
| NS | 99A0286 | 1 | Spring, Backup Roller |
| 21-85 | 99A0445 | 1 | Stud Assembly, 250 Frame |
| 21-86 | 99A0280 | 1 | Bearing, Drive Shaft Low |
| 21-87 | 99A0275 | 1 | Spring, Power Takeoff |
| 21-88 | 99A0272 | 1 | Shaft, 250 Drive |
| 21-89 | 99A0446 | 1 | Aligner Assembly, Paper |
| 21-90 | | 1 | Retainer, Aligner Assembly PP 99A0267 |
| 21-91 | 99A0274 | 1 | Gear, Feed Roll |
| 21-92 | 99A0278 | 1 | Bellcrank, Roller Release |
| 21-93 | 99A1967 | 1 | Card Assembly, 2000 Tray Option |
| 21-94 | | 3 | Screw, 2000 Tray Option Card Mounting PP 99A0263 |

4069-XXX

Assembly 21: High Capacity Feeder (continued)

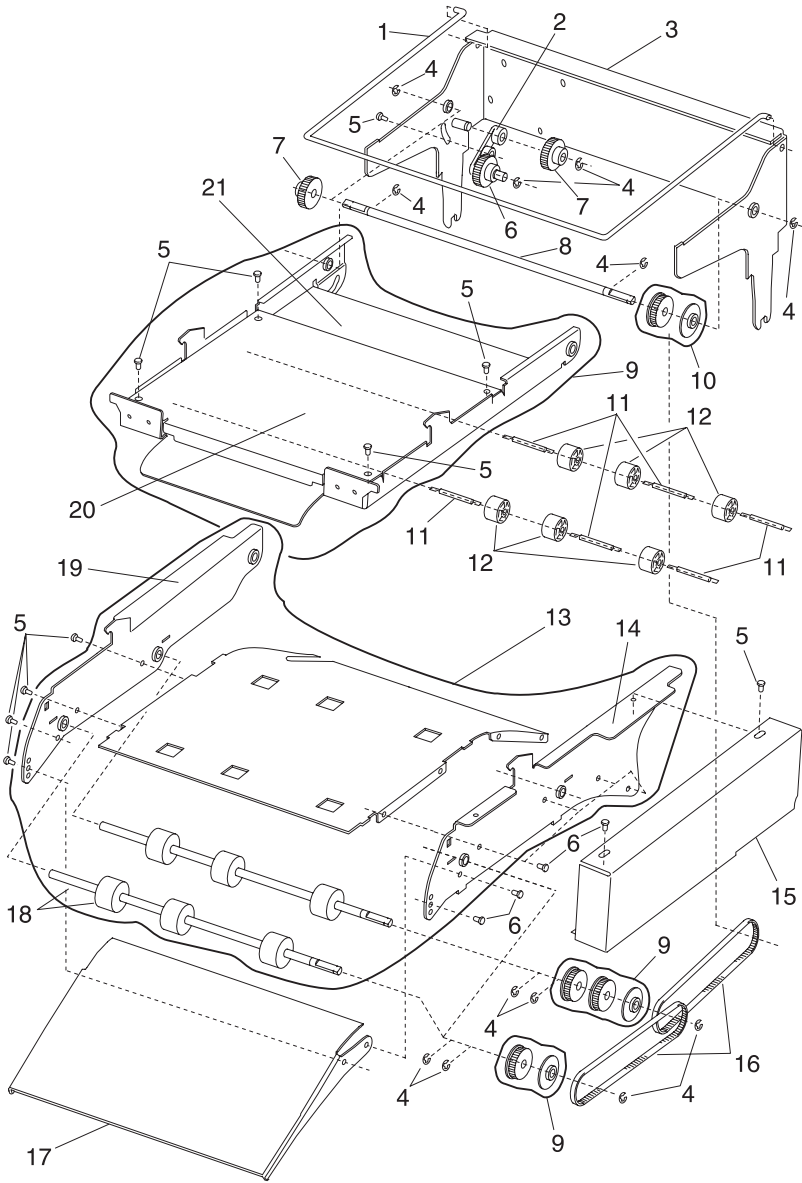


4069-XXX

| Asm-Index | Part Number | Units | Description |
|------------------|--------------------|--------------|---|
| 21-95 | | 3 | Screw, Auto Comp Assembly Mounting PP 99A0263 |
| 21-96 | 99A1055 | 1 | Arm Assembly, Pick 2000 |
| 21-97 | 99A0070 | 2 | Roll Assembly, Pick |
| 21-98 | 99A0692 | 1 | Base, 2000 Option |
| 21-99 | | 1 | Screw, Deflector Mounting PP 99A0263 |
| 21-100 | 99A0678 | 1 | Deflector, Base |
| 21-101 | 99A0288 | 1 | Sensor, Pass Thru |
| 21-102 | 99A1812 | 1 | Label, Tray Option Number |
| 21-103 | 99A1666 | 1 | Label, Options |
| 21-104 | | 4 | Washer, Bracket 250 Frame Retention Mounting PP 99A0677 |
| 21-105 | | 4 | Screw, Bracket 250 Frame Retention Mounting PP 99A0263 |
| 21-106 | 99A0679 | 2 | Bracket, 250 Frame Retention |
| NS | 99A0717 | 1 | Cable, Paper Low Switch |
| NS | 99A0720 | 1 | Cable, Lower Limit Switch |

4069-XXX

Assembly 22: Kiosk - Vertical Paper Adapter

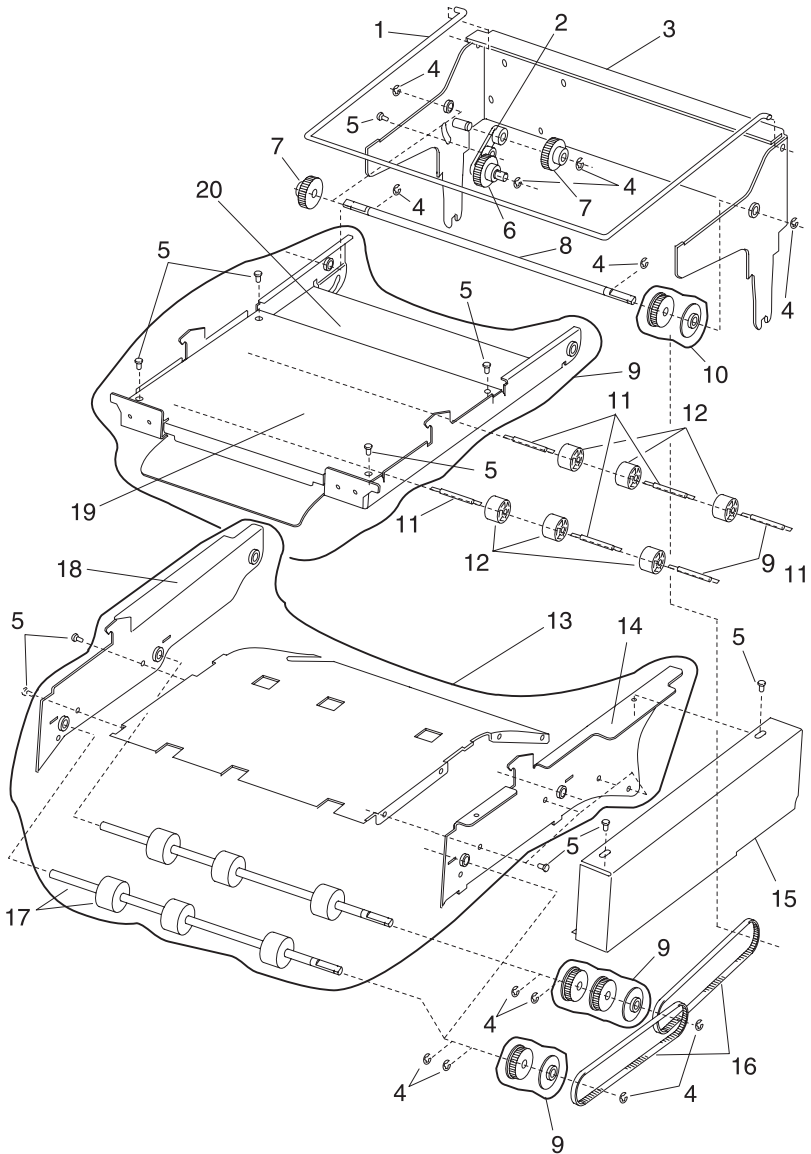


4069-XXX

| Asm-Index | Part Number | Units | Description |
|------------------|--------------------|--------------|------------------------------|
| 22-1 | 99A0231 | 1 | Bail, Support |
| 22-2 | 99A1646 | 1 | Arm Assembly, Pivot |
| 22-3 | 99A1819 | 1 | Mounting, Frame Assembly |
| 22-4 | | 12 | Retainer PP 99A0240 |
| 22-5 | | 16 | Screws PP 99A0234 |
| 22-6 | 99A1705 | 1 | Gear, Idler |
| 22-7 | 99A1704 | 2 | Gear, Idler |
| 22-8 | 99A0197 | 1 | Shaft, Drive Rear |
| 22-9 | 99A0079 | 1 | Tray Assembly, Backup Roller |
| 22-10 | | 3 | Parts, Pulley PP 99A0208 |
| 22-11 | 99A0087 | 6 | Spring, Backup Roller |
| 22-12 | 99A0086 | 6 | Roller, Backup |
| 22-13 | 99A1706 | 1 | Tray Assembly, Drive Roller |
| 22-14 | 99A0125 | 1 | Frame Assembly, Right Side |
| 22-15 | 99A0232 | 1 | Cover, Right |
| 22-16 | 99A1820 | 2 | Belt, 185G |
| 22-17 | 99A0226 | 1 | Guide, Paper Exit |
| 22-18 | 99A0122 | 2 | Shaft Assembly, Drive Roller |
| 22-19 | 99A0137 | 1 | Frame Assembly, Left Side |
| 22-20 | 99A0088 | 1 | Cover, Backup Tray |
| 22-21 | 99A0085 | 1 | Tray, Backup Roller |

4069-XXX

Assembly 23: Kiosk - Horizontal Paper Adapter

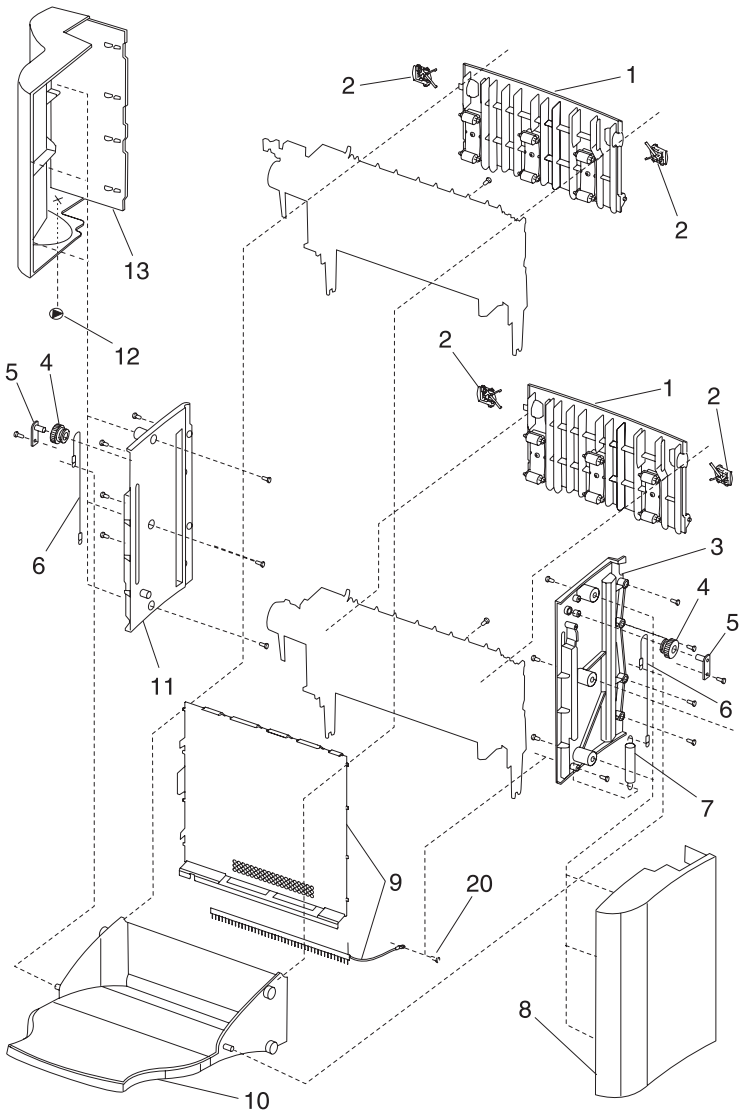


4069-XXX

| Asm-Index | Part Number | Units | Description |
|------------------|--------------------|--------------|------------------------------|
| 23-1 | 99A0231 | 1 | Bail, Support |
| 23-2 | 99A1646 | 1 | Arm Assembly, Pivot |
| 23-3 | 99A1819 | 1 | Mounting, Frame Assembly |
| 23-4 | | 12 | Retainer PP 99A0240 |
| 23-5 | | 15 | Screws PP 99A0234 |
| 23-6 | 99A1705 | 1 | Gear, Idler |
| 23-7 | 99A1704 | 2 | Gear, Idler |
| 23-8 | 99A0197 | 1 | Shaft, Drive Rear |
| 23-9 | 99A0079 | 1 | Tray Assembly, Backup Roller |
| 23-10 | | 3 | Parts, Pulley PP 99A0208 |
| 23-11 | 99A0087 | 6 | Spring, Backup Roller |
| 23-12 | 99A0086 | 6 | Roller, Backup |
| 23-13 | 99A1707 | 1 | Tray Assembly, Drive Roller |
| 23-14 | 99A0907 | 1 | Frame Assembly, Right Side |
| 23-15 | 99A0232 | 1 | Cover, Right |
| 23-16 | 99A1820 | 2 | Belt, 185G |
| 23-17 | 99A0122 | 2 | Shaft Assembly, Drive Roller |
| 23-18 | 99A0906 | 1 | Frame Assembly, Left Side |
| 23-19 | 99A0088 | 1 | Cover, Backup Tray |
| 23-20 | 99A0085 | 1 | Tray, Backup Roller |

4069-XXX

Assembly 24: High-Capacity Output Stacker

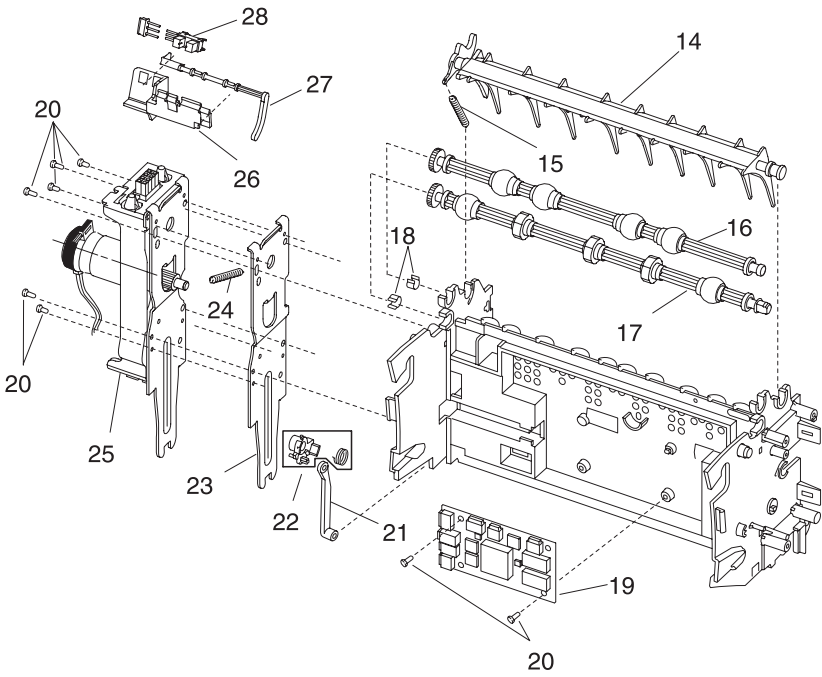


4069-XXX

| Asm-Index | Part Number | Units | Description |
|------------------|--------------------|--------------|-----------------------------------|
| 24-1 | 99A1748 | 2 | Door Asm, Rear Access |
| 24-2 | 99A1785 | 4 | Latch, Rear Door |
| 24-3 | 99A1783 | 1 | Frame, Right |
| 24-4 | 99A1778 | 2 | Pulley, Output Tray |
| 24-5 | 99A1782 | 2 | Shaft, Pulley |
| 24-6 | 99A1790 | 2 | Guide, Output Tray |
| 24-7 | 99A1779 | 2 | Spring, Output Tray |
| 24-8 | 99A1746 | 1 | Cover, Right |
| 24-9 | 99A1747 | 1 | Cover, Front |
| 24-10 | 99A1701 | 1 | Tray Asm, Output |
| 24-11 | 99A1781 | 1 | Frame, Left |
| 24-12 | 99A1666 | 1 | Label, Options |
| 24-13 | 99A1745 | 1 | Cover, Left |
| 24-NS | 99A1751 | 1 | Switch Asm, Tray Sensing |
| 24-NS | 99A1777 | 1 | Flag, Tray Sensing Switch |
| 24-NS | 99A1780 | 2 | Gear, Damping |
| 24-NS | 99A1744 | 2 | Kit, High-Capacity Output Stacker |

4069-XXX

Assembly 24: High-Capacity Output Stacker (cont'd)

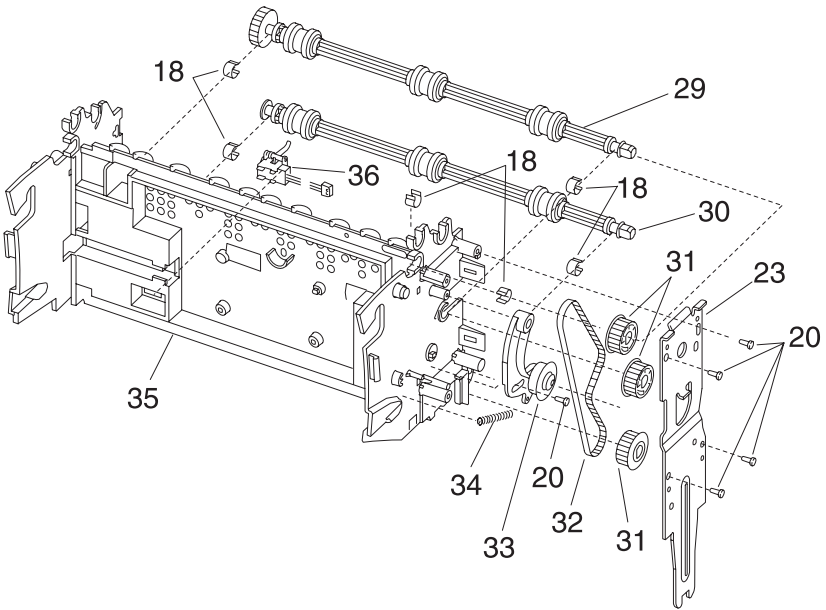


4069-XXX

| Asm-Index | Part Number | Units | Description |
|------------------|--------------------|--------------|---|
| 24-14 | 99A0107 | 2 | Deflector, Upper Also order 99A0104 |
| 24-15 | 99A0104 | 2 | Spring, Upper Diverter |
| 24-16 | 99A0369 | 1 | Shaft Asm, Exit Upper Stacker Asm |
| 24-17 | 99A0052 | 1 | Shaft Asm, Stacker Lower Exit Upper Stacker Asm |
| 24-18 | | 12 | Bearings, Shaft PP 99A0572 |
| 24-19 | 99A1749 | 2 | Board Asm, High-Capacity Output Stacker |
| 24-20 | | 31 | Screws, PP 99A0263 |
| 24-21 | 99A1688 | 1 | Arm, Diverter |
| 24-22 | 99A1689 | 1 | Clutch Asm, Output Stacker |
| 24-23 | 99A1784 | 2 | Bracket, Attach |
| 24-24 | 99A0415 | 2 | Spring, Swing Arm |
| 24-25 | 99A0914 | 2 | Drive Asm, Output Stacker DC Motor |
| 24-26 | 99A0409 | 1 | Bracket, Dual Sensor Mounting Upper Stacker Asm |
| 24-27 | 99A1613 | 1 | Flag, Bin Full Dual Sensor Upper Stacker Asm |
| 24-28 | 99A0414 | 1 | Sensor Asm, Bin Full Dual Upper Stacker Asm |
| 24-NS | 99A1690 | 1 | Belt, 95G Lower Stacker Asm |

4069-XXX

Assembly 24: High-Capacity Output Stacker (cont'd)

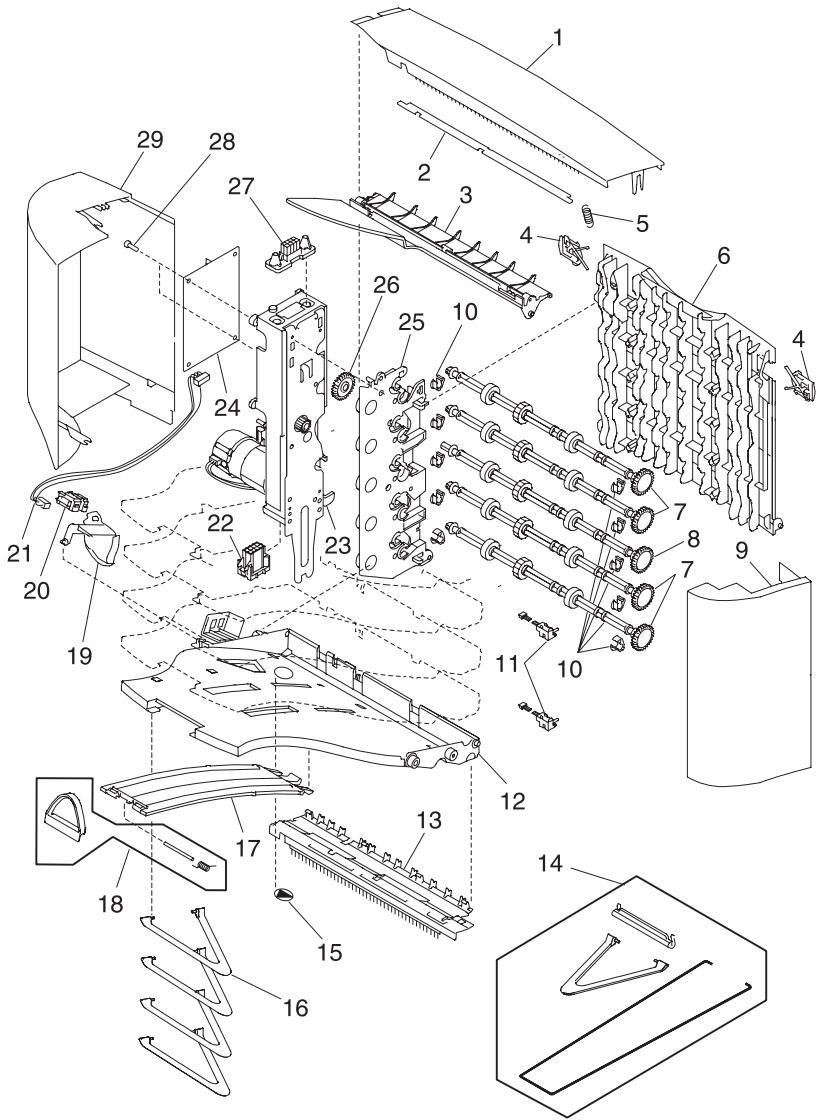


4069-XXX

| Asm-Index | Part Number | Units | Description |
|------------------|--------------------|--------------|-------------------------------------|
| 24-29 | 99A0913 | 2 | Shaft, 40T Middle Output Stacker |
| 24-30 | 99A0368 | 2 | Shaft Asm Lower |
| 24-31 | 99A0363 | 6 | Pulley, Drive |
| 24-32 | 99A0361 | 1 | Belt, 160G Upper Stacker Asm |
| 24-33 | 99A0362 | 1 | Arm Asm, Belt Idler |
| 24-34 | 99A0364 | 2 | Spring, Belt Tensioner |
| 24-35 | 99A1791 | 1 | Stacker Asm, Paper Path Lower |
| 24-35 | 99A1792 | 1 | Stacker, Asm Paper Path Upper |
| 24-36 | 99A0351 | 2 | Sensor, Stacker Passthru |
| 24-NS | 99A1751 | 1 | Switch Asm |
| 24-NS | 99A0462 | 1 | Packet Grease, IBM #23 |
| 24-NS | 99A0627 | 1 | Jumper, 2 pin (Use with 99A1749) |

4069-XXX

Assembly 25: 5-Bin Mailbox

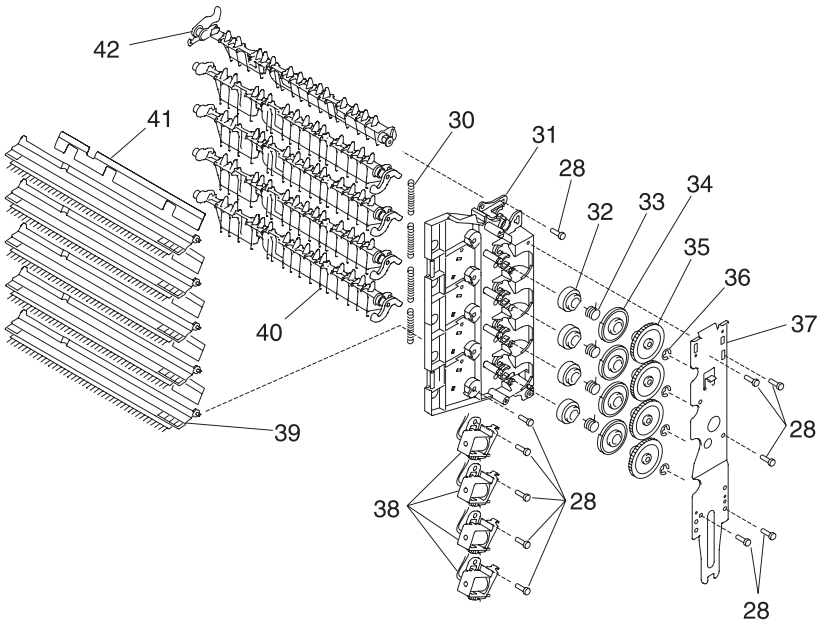


4069-XXX

| Asm-Index | Part Number | Units | Description |
|------------------|--------------------|--------------|--|
| 25-1 | 99A1512 | 1 | Cover, Redrive Cap |
| 25-2 | 99A1710 | 1 | Cover, Wire |
| 25-3 | 99A1711 | 1 | Cover, Top Bin |
| 25-4 | 99A1785 | 2 | Latch, Rear Access Door |
| 25-5 | 99A0104 | 1 | Spring, Upper Diverter |
| 25-6 | 99A1714 | 1 | Door, Rear Access |
| 25-7 | 99A1723 | 4 | Shaft Asm, Drive |
| 25-8 | 99A1724 | 1 | Shaft Asm, Drive W/Gear |
| 25-9 | 99A1708 | 1 | Cover, Right Side |
| 25-10 | 99A1725 | 1 | Packet, Drive Shaft Bushing |
| 25-11 | 99A1742 | 2 | Sensor, 5-Bin Mailbox Passthru |
| 25-12 | 99A1712 | 5 | Tray, Paper Cap |
| 25-13 | 99A1739 | 1 | Bracket Asm, Bail Attach w/Brush |
| 25-14 | 99A1743 | 1 | Kit, 5-Bin Mailbox Asm |
| 25-15 | 99A1666 | 1 | Label, Options |
| 25-16 | | 1 | Bail, order 99A1743, 5-Bin Mailbox Asm Kit |
| 25-17 | 99A1713 | 5 | Support, Paper Tray |
| 25-18 | 99A1687 | 5 | Stop Asm, Paper Tray |
| 25-19 | 99A1735 | 5 | Flag, Bin Full |
| 25-20 | 99A1737 | 5 | Sensor, Dual Paper Height |
| 25-21 | 99A1736 | 5 | Cable, Dual Sensor |
| 25-22 | 99A1718 | 1 | Cable Asm, Lower Auto Connect |
| 25-23 | 99A1716 | 1 | Drive Asm, Main DC Drive |
| 25-24 | 99A1740 | 1 | Board Asm, 5-Bin Mailbox System |
| 25-25 | 99A1726 | 1 | Frame Asm, Left w/Clutch Asm |
| 25-26 | 99A1786 | 1 | Gear, Drive |
| 25-27 | 99A1719 | 1 | Cable Asm, Upper Auto Connect |
| 25-28 | | 12 | Screw, Board Mounting PP 99A0263 |
| 25-29 | 99A1709 | 1 | Cover, Left Side |

4069-XXX

Assembly 25: 5-Bin Mailbox (continued)



4069-XXX

| Asm-Index | Part Number | Units | Description |
|------------------|--------------------|--------------|-------------------------------|
| 25-30 | 99A1741 | 4 | Spring, Diverter |
| 25-31 | 99A1727 | 1 | Frame Asm, Right Side |
| 25-32 | 99A1728 | 4 | Cam, Diverter Actuator |
| 25-33 | 99A1731 | 4 | Spring, Diverter Actuator |
| 25-34 | 99A1729 | 4 | Latch, Diverter Actuator |
| 25-35 | 99A1730 | 4 | Arbor, Diverter Actuator |
| 25-36 | 99A1789 | 4 | C-Clip |
| 25-37 | 99A1720 | 1 | Bracket, Attach |
| 25-38 | 99A1732 | 4 | Solenoid, Diverter |
| 25-39 | 99A1738 | 5 | Deflector, Paper Exit w/Brush |
| 25-40 | 99A1722 | 4 | Deflector, Paper |
| 25-41 | 99A1787 | 4 | Deflector |
| 25-42 | 99A1721 | 1 | Deflector, Paper Top Bin |
| 25-NS | 99A1734 | 1 | Spring, Static Ground |
| 25-NS | 99A0462 | 1 | Grease Packet, IBM #23 |
| 25-NS | 99A1715 | 1 | Roller Asm, Rear Access Door |
| 25-NS | 99A1717 | 1 | Gear, Drive |
| 25-NS | 99A1788 | 1 | Retainer, R-Ring |

Assembly 26: Options

| Asm-Index | Part Number | Units | Description |
|------------------|--------------------|--------------|-------------------------------------|
| 26 | 99A1752 | 1 | 4MB SDRAM DIMM |
| 26 | 99A1753 | 1 | 8MB SDRAM DIMM |
| 26 | 99A1754 | 1 | 16MB SDRAM DIMM |
| 26 | 99A1755 | 1 | 32MB SDRAM DIMM |
| 26 | 99A1756 | 1 | 64MB SDRAM DIMM |
| 26 | 99A1773 | 1 | 128MB SDRAM DIMM |
| 26 | 99A1757 | 1 | 2MB Flash DIMM |
| 26 | 99A1758 | 1 | 4MB Flash DIMM |
| 26 | 99A1759 | 1 | 8MB Flash DIMM |
| 26 | 99A1774 | 1 | 16MB Flash DIMM |
| 26 | 99A1886 | 1 | DIMM, Font Traditional Chinese |
| 26 | 99A1887 | 1 | DIMM, Font Simplified Chinese |
| 26 | 99A1885 | 1 | DIMM, COS (supports Chinese fonts) |
| 26 | 99A1126 | 1 | SIMM, Bar Code |
| 26 | 99A1089 | 1 | SIMM, Prescribe 5/4/2 Flash |
| 26 | 99A1884 | 1 | SIMM for IPDS and SCS/Tne |
| 26 | 99A0459 | 1 | Hard Disk, with Control Board 2.1GB |
| 26 | 99A1084 | 1 | SIMM, IPDS 5/4/2 Flash |
| 26 | 99A0629 | 1 | Adapter Card, SES for SCS |
| 26 | 13A0296 | 1 | Cable, Twinax |
| 26 | 13A0297 | 1 | Cable, Coax |
| 26 | 99A0545 | 1 | Adapter, Serial |
| 26 | 13A0298 | 1 | Cable, Serial |
| 26 | 99A0467 | 1 | Board, Parallel Port Adapter |
| 26 | 99A0923 | 1 | Board, USB/Parallel Port |
| 26 | 99A1859 | 1 | SIMM, Image Quick Tiff |
| 26 | 99A1031 | 1 | SIMM, Image Quick Web |

Assembly 26: Options (continued)

| Asm-Index | Part Number | Units | Description |
|------------------|--------------------|--------------|---|
| 26 | 99A1890 | 1 | Tray Assembly, 250 Special Media 010/212/414/616/41b/41i/23v/23e |
| 26 | 99A1647 | 1 | Rib Assembly, 250 Special Media Tray 010/212/414/616/41b/41i/23v/23e |
| 26 | 99A1654 | 1 | Tray, Universal Adjustable 250 Sheet |
| 26 | 99A0910 | 1 | Cartridge, Empty Shipping (2) |
| 26 | 99A0909 | 1 | Cartridge, Empty Shipping (1) |
| 26 | 99A0863 | 1 | Stacking Device, Integrated Label/Letter |
| 26 | 99A0864 | 1 | Stacking Device, Integrated Label/Letter |
| 26 | 99A0865 | 1 | Stacking Device, Legal Label |
| 26 | 99A0799 | 1 | Drive, Forms HD 2.1GB or larger |
| 26 | 99A1605 | 1 | Kit, Cap/Stack Bails 500 |
| 26 | 99A0945 | 1 | Kit, Paper Stacking Arm |
| 26 | 99A1830 | 1 | Marknet N2001e 10/100 ethernet |
| 26 | 12G1696 | 1 | Marknet N2002e 10base2/10baseT |
| 26 | 12G1697 | 1 | Marknet N2000t 4/16 |
| 26 | 99A0560 | 1 | Adapter, Omnibus INA Card |
| 26 | 99A1889 | 1 | Paper Presentator, Front 010/212/23v/23e/ 41e/0In/2In |
| 26 | 99A1950 | 1 | Tray Feature, Photo Gab Tray Assembly 25v/25e |
| 26 | 99A1951 | 1 | Spring, Photo Bag Transfer 25v/25e |
| 26 | 56P1101 | 1 | Cable Assembly, 6' Parallel A-C |
| 26 | 56P0161 | 1 | Cable Assembly, SER+PAR 1284-C INA |
| 26 | 56P0162 | 1 | Cable, Parallel 1284 C-B Adapter |

Assembly 27: Miscellaneous

| Asm-Index | Part Number | Units | Description |
|------------------|--------------------|--------------|--|
| 27 | 99A1633 | 1 | Parts Packet, Screws |
| 27 | 99A0585 | 1 | Parts Packet, Contact Kit |
| 27 | 99A0267 | 1 | Parts Packet, Retainers |
| 27 | 99A0268 | 1 | Parts Packet, Springs Paper Feed |
| 27 | 99A0269 | 1 | Parts Packet, Duplex Option Fan Mounting |
| 27 | 99A0299 | 1 | Parts Packet, Duplex Option Cam Follower Assembly |
| 27 | 99A0271 | 1 | Parts Packet, Envelope Option Gears |
| 27 | 99A0404 | 1 | Parts Packet, Retainers Envelope Option |
| 27 | 99A0413 | 1 | Parts Packet, Screws Duplex |
| 27 | 99A0572 | 1 | Parts Packet, 500 Sheet Feeder Option Shaft Bearings |
| 27 | 99A0577 | 1 | Parts Packet, Cable Ties (10 each) |
| 27 | 99A0675 | 1 | Parts Packet, Screws High Capacity Feeder |
| 27 | 99A0676 | 1 | Parts Packet, Nuts High Capacity Feeder |
| 27 | 99A0677 | 1 | Parts Packet, Washers High Capacity Feeder |
| 27 | 99A0083 | 1 | Parts Kit, Multipurpose Tray |
| 27 | 99A0512 | 1 | Parts Kit, Charge Roll Link Asm, Left Side |
| 27 | 99A0513 | 1 | Parts Kit, Charge Roll Link Asm, Right Side |
| 27 | 99A0186 | 1 | Parts Kit, Erase Lamp/Lens |
| 27 | 99A0702 | 2 | Printer Stand Caster, Non Locking |
| 27 | 99A0703 | 2 | Printer Stand Caster, Locking |
| 27 | 99A0704 | 1 | Printer Stand Grommet, Wire |
| 27 | 99A0705 | 2 | Printer Stand Lock, Cam |
| 27 | 99A0706 | 1 | Printer Stand Storage Shelf |
| 27 | 99A0707 | 1 | Printer Stand Door Assembly, Cabinet |
| 27 | 99A0710 | 1 | Printer Stand Filler, Rear Top Piece |
| 27 | 99A0711 | 1 | Printer Stand Table Assembly, Large |
| 27 | 99A0712 | 1 | Printer Stand Table Assembly, Small |

4069-XXX

Assembly 27:Miscellaneous (continued)

| Asm-Index | Part Number | Units | Description |
|------------------|--------------------|--------------|--|
| 27 | 99A0208 | 1 | Parts Packet, Pulley - Kiosk |
| 27 | 99A0234 | 1 | Parts Packet, Screws - Kiosk |
| 27 | 99A0394 | 1 | Grease Packet, Nyogel 744 |
| 27 | 99A0462 | 1 | Grease Packet, IBM 23 |
| 27 | 99A1852 | 1 | Packaging, 4069 250/250 printer |
| 27 | 99A1853 | 1 | Packaging, 4069 500/250 printer |
| 27 | 99A1854 | 1 | Packaging, 4069 500/500 printer |
| 27 | 99A1855 | 1 | Packaging, 4069 500/500 plus 500 printer |
| 27 | 99A0240 | 1 | Parts Packet, Retainer |