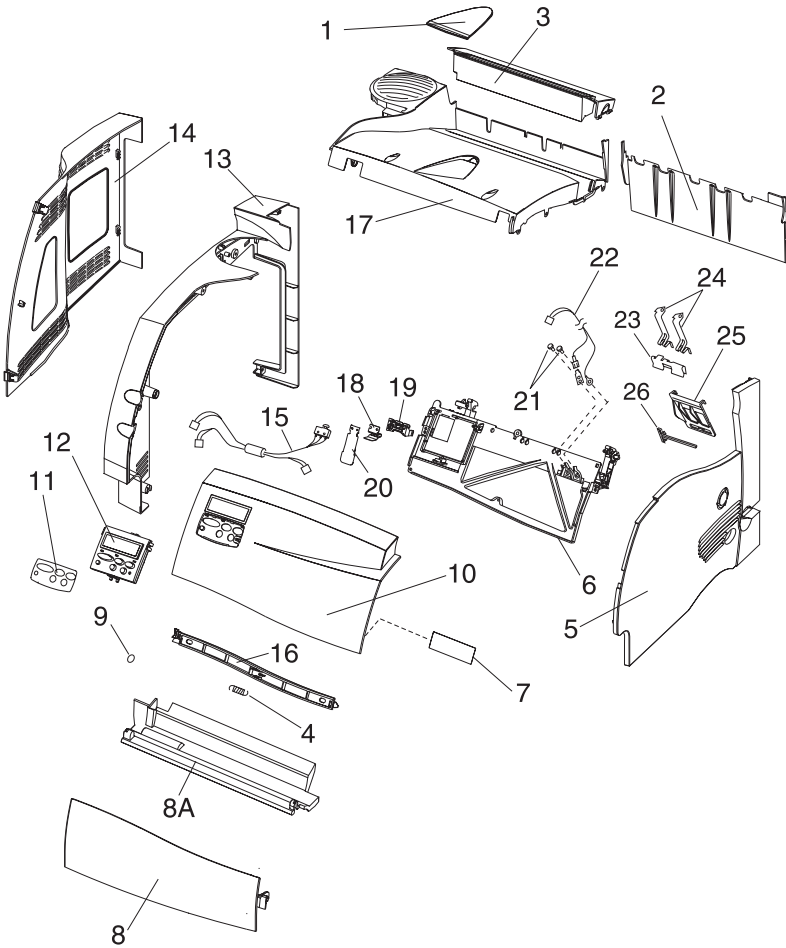


4059-XXX

Assembly 1: Covers

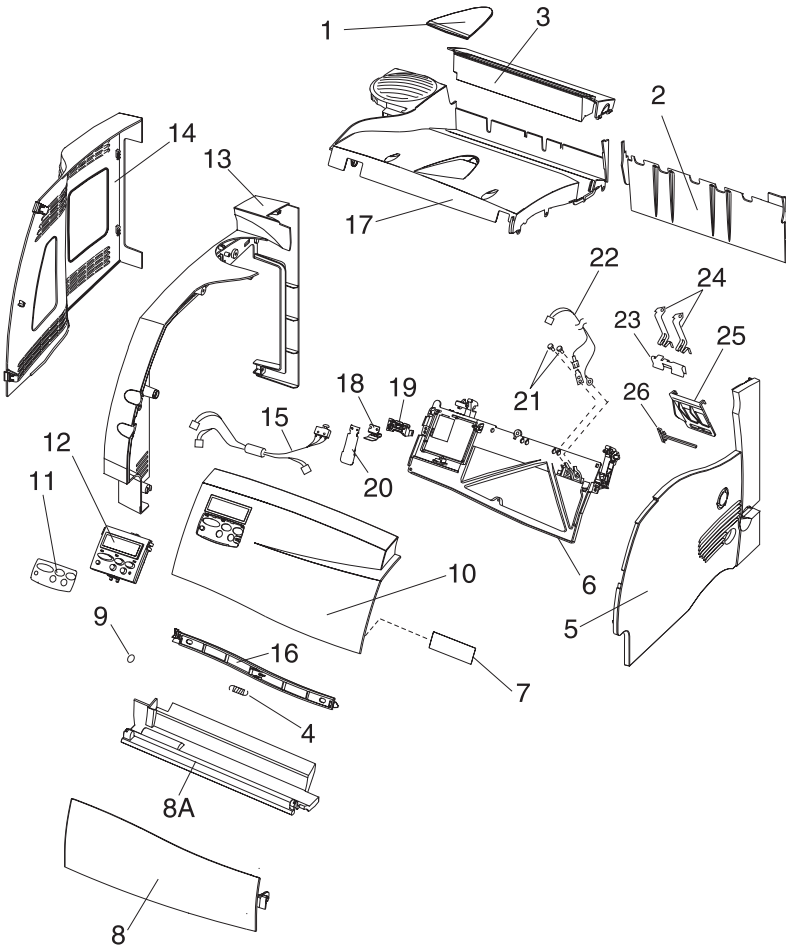


4059-XXX

Asm-Index	Part Number	Units	Description
1-1	99A0553	1	Support, Paper
1-2	99A0463	1	Spacer, Front 2450/2455/3455
1-2	99A0464	1	Spacer, Front 1620/1650/2420/1250/1255/1855/1625
1-3	99A0016	1	Cover, Fuser Wick Assembly
1-4	99A0004	1	Spring, Latch
NS		3	Screw, Right Side Cvr Mtg PP 99A0263
1-5	99A0011	1	Cover, Right Side 1250/1620/1650/2420/1855/1625
1-5	99A0012	1	Cover, Right Side 2450/2455/3455
1-6	99A0008	1	Hinge, Upper Front Cover
1-7	99A0007	1	Label, TLI/ID/Serial No. - Blank
1-8	99A0023	1	Cover Assembly, Lower Front 1250/1255/1620/1625/1650/1855/2420
1-8	99A0020	1	Cover Assembly, Lower Front 2450/2455/3455
1-8A	99A0022	1	Cap, MPT 2450/2455/3455
1-9	99A0021	1	O-Ring, Lower Front Door
NS		5	Screw, Upper Front Cvr Mtg PP 99A0263
1-10	99A0917	1	Kit, Upper Front Cover with Labels
NS	99A0458	1	Labels, Upper Front Cover
1-11	99A0630	1	Bezel, Operator Panel, English
1-11	99A0631	1	Bezel, Operator Panel, France
1-11	99A0632	1	Bezel, Operator Panel, Italy
1-11	99A0633	1	Bezel, Operator Panel, Germany
1-11	99A0634	1	Bezel, Operator Panel, Spain
1-11	99A0535	1	Bezel, Operator Panel, Denmark
1-11	99A0536	1	Bezel, Operator Panel, Netherlands
1-11	99A0537	1	Bezel, Operator Panel, Norway
1-11	99A0538	1	Bezel, Operator Panel, Sweden
1-11	99A0539	1	Bezel, Operator Panel, Brazil/Portugal
1-11	99A0540	1	Bezel, Operator Panel, Finland
1-11	99A0541	1	Bezel, Operator Panel, Japan

4059-XXX

Assembly 1: Covers (continued)

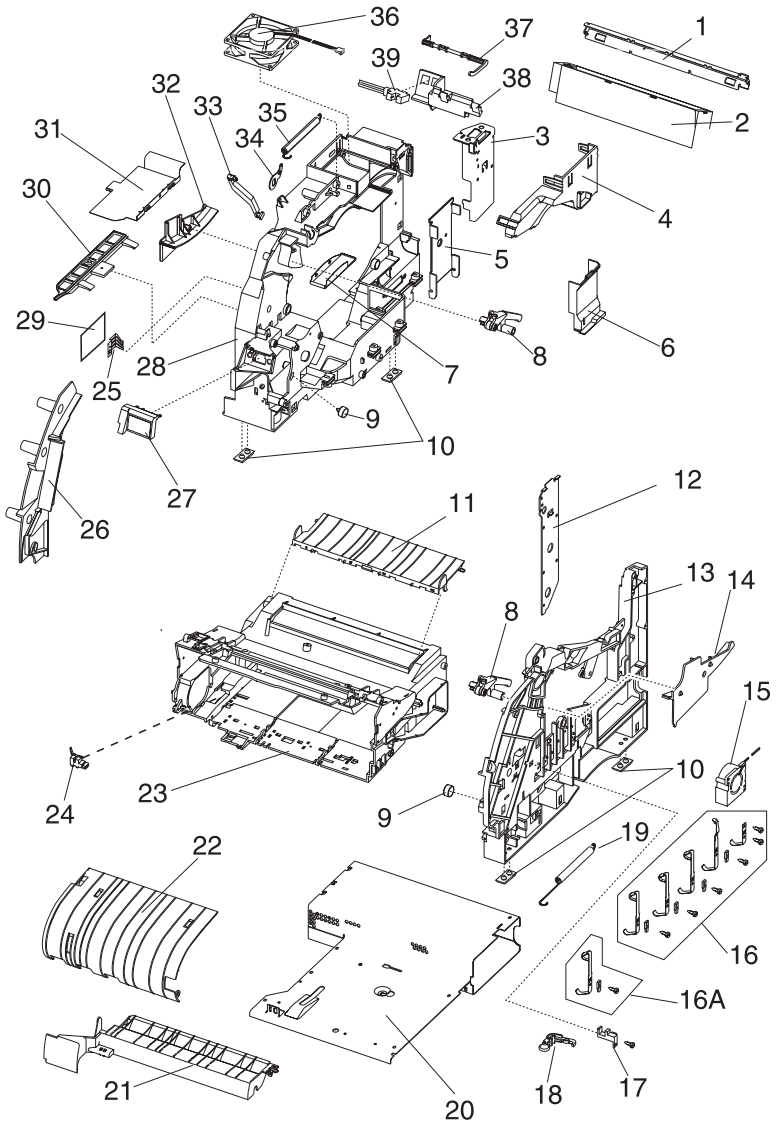


4059-XXX

Asm-Index	Part Number	Units	Description
1-12	99A0001	1	Operator Panel Assembly
1-13	99A0009	1	Cover, Left Side 1250/1255/1620/1650/2420/1855/1625
1-13	99A0010	1	Cover, Left Side 2450/2455/3455
NS		5	Screw, Left Side Cvr Mtg PP 99A0263
1-14	99A0017	1	Door, Left Panel 1650/1855/2420
1-14	99A0019	1	Door, Left Panel 1250/1255/1620/1625
1-14	99A0018	1	Door, Left Panel 2450/2455/3455
1-15	99A0296	1	Switch, Cover Open w/Operator Panel Cable Assembly
1-16	99A0003	1	Latch, Upper Cover
1-17	99A0013	1	Cover, Laser Assembly
NS		6	Screw, Laser Cover PP 99A0263
NS	99A0552	1	Cover Assembly, Redrive Cap
NS	99A0573	2	Nut, Front Spacer Mounting 2450/2455/3455
1-18	99A0550	1	Shield, ESD Cover Open
1-19	99A0031	1	Bracket, Cover Open Switch
1-20	99A0036	1	Spring, Cover Open Switch
1-21		2	Screws, Contact Mounting PP 99A0263
1-22	99A0814	1	Cable, Smart Cartridge 3455
1-23	99A0816	1	Contact, Smart Cartridge Ground 3455
1-24	99A0815	2	Contact, Smart Cartridge 3455
1-25	99A0817	1	Cover, Smart Cartridge Contact 3455
1-26	99A0834	1	Plunger, Overstress Smart Cartridge 3455
NS	99A0577	1	Cable Tie

4059-XXX

Assembly 2: Frame

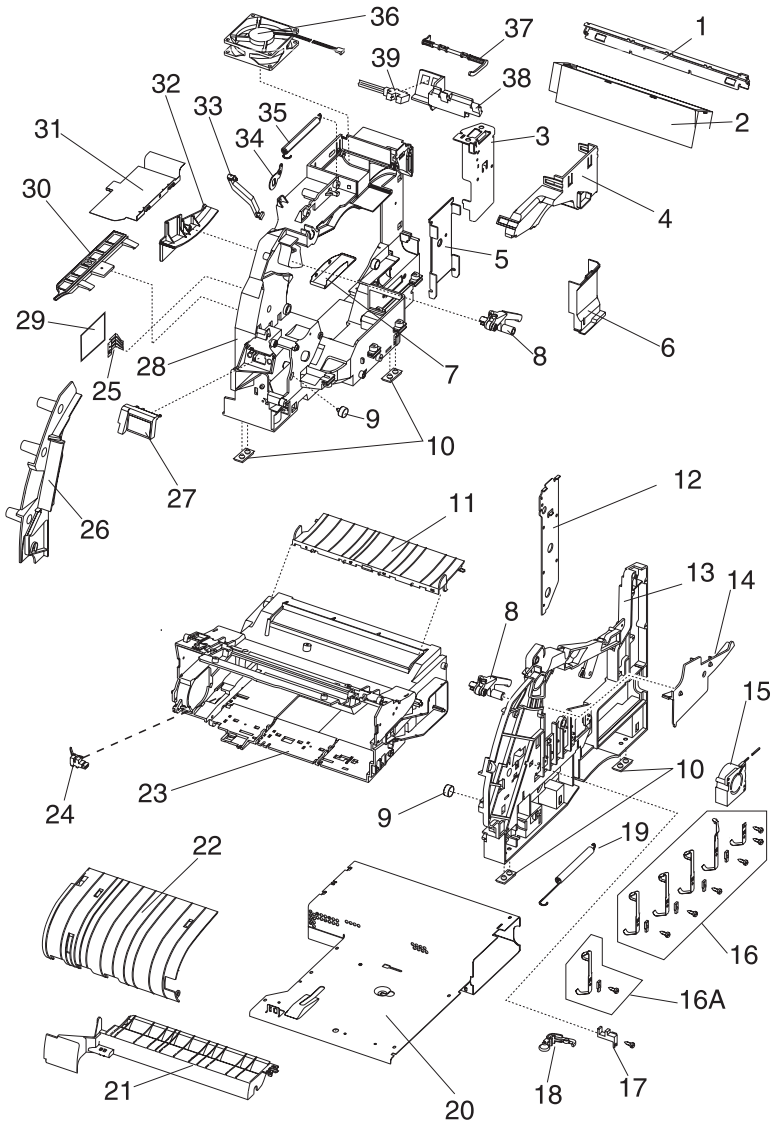


4059-XXX

Asm-Index	Part Number	Units	Description
2-1	99A0425	1	Support, Cross Brace
2-2	99A0463	1	Spacer, Front 2450/2455/3455
2-2	99A0464	1	Spacer, Front 1250/1255/1620/1650/2420/1855/1625
2-3	99A0033	1	Duct, Left Stacker 2450/2455/3455
2-3	99A0034	1	Duct, Left Stacker 1250/1620/1650/2420/1855/1625
2-4	99A0867	1	Duct, Main Body
2-5	99A0551	1	Support, Left Lower Stacker
2-6	99A0114	1	Duct, LVPS Left Side
2-7	99A0113	1	Pan, Drip ITC
2-8	99A0045	2	Latch, Cartridge Assembly
2-9	99A0039	2	Roller, Developer Support
2-10	99A0058	4	Pad, Machine Mounting
2-11	99A0558	1	Transfer Plate Assembly
2-11	99A0828	1	Transfer Plate Assembly 3455
2-12	99A0904	1	Plate Assembly, Stacker Ground 2450/2455/3455
2-12	99A0561	1	Support, Right Stacker 1250/1255/1620/1650/2420/1855/1625
2-13	99A0111	1	Right Sideframe
2-14	99A0043	1	Track, Cartridge Guide RH
2-15	99A0049	1	Fan, Auxiliary 2420/2450/3455
2-16		1	Contact Kit PP 99A0585
		3	o Contact, Doctor Blade/TAR/Developer Roll
		1	o Contact, PC Drum
		1	o Contact, Charge Roll
		4	o Block, Contact Mounting
		5	o Screw, Contact Mounting
2-16A	99A0805	1	Contact, Charge Brush 3455
2-17	99A0466	1	Sensor, Toner Cartridge Level
2-18	99A0026	1	Tray Bias Arm Assembly
2-19	99A0028	1	Spring, Tray Bias
2-20	99A0038	1	Pan, Center Assembly

4059-XXX

Assembly 2: Frame (continued)

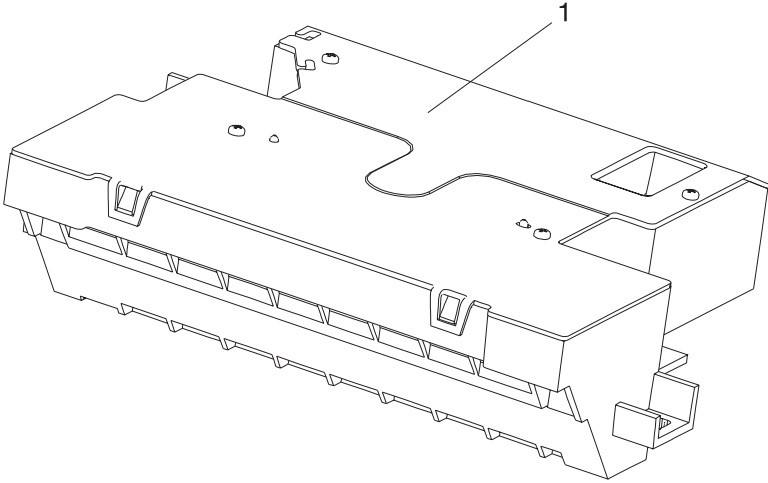


4059-XXX

Asm-Index	Part Number	Units	Description
2-21	99A0056	1	Deflector, Upper PF
2-22	99A0055	1	Deflector, Inner
2-23	99A0042	1	Frame, EP Module
2-24	99A0053	1	Sensor, Input
2-25	99A0063	1	Spring, PA Out Activate
2-26	99A0046	1	Cover, Gap 1620/1625/1650/1855/2420/2450/2455
2-26	99A0804	1	Cover, Gap 3455
2-27	99A0549	1	Shield, ESD Assembly with label
2-28	99A0029	1	Left Side Frame
2-29	99A0128	1	Board, Input Tray (ITC)
2-30	99A0189	1	Frame Extension 1650/2420/1855
2-30	99A0037	1	Frame Extension 2450/2455/3455
2-31	99A0899	1	Pan, Motor Drip
2-32	99A0044	1	Track, Cartridge Guide LH
2-33	99A0567	1	Link, Gear Release
2-34	99A0555	1	Bracket, Counterbalance Hinge Spring
2-35	99A0556	1	Spring, Counterbalance
NS		17	Screw PP 99A0263
2-36	99A0030	1	Fan, Main
2-36	99A0803	1	Fan, Main 3455
2-37	99A0377	1	Flag Kit, Standard Bin Level 1650/1855/2420
2-37	99A0378	1	Flag Kit, Standard Bin Level 2450/2455/3455
2-37	99A0794	1	Flag, Standard Bin Level 1855-C01
NS	99A0499	1	Flap, 250 Paper Output Bin 1855-C01
2-38	99A0062	1	Bracket, Level Sensor 1650/2420/2450/3455
2-39	99A0138	1	Sensor, Standard Bin Level 1620/1625/1650/1855/2420/2450/2455/3455

4059-XXX

Assembly 3: Printhead

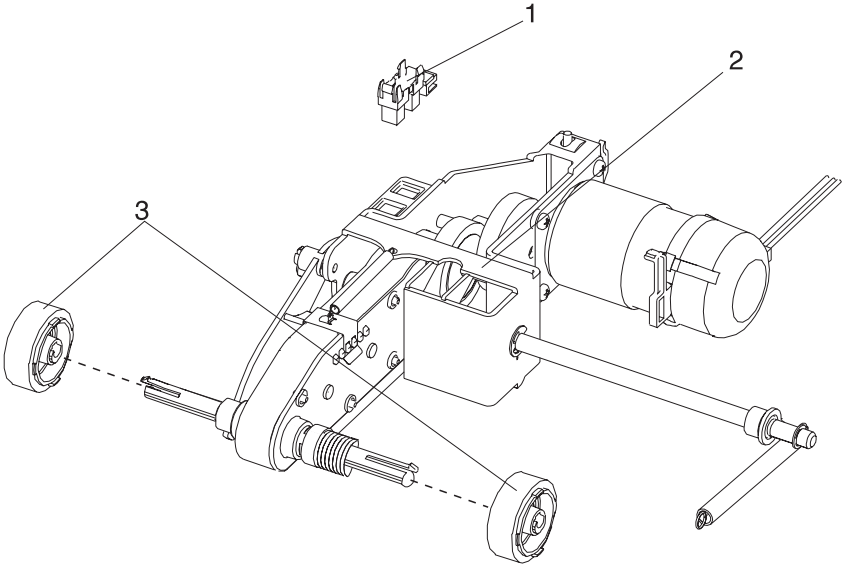


4059-XXX

Asm-Index	Part Number	Units	Description
3-1	99A0065	1	Printhead Assembly, 1620/1625/1650/1250/1255
3-1	99A0398	1	Printhead Assembly, 1855
3-1	99A0066	1	Printhead Assembly, 2420/2450/2455
3-1	99A0829	1	Printhead Assembly, 3455
NS		3	Screw, Printhead Mounting PP 99A0263

4059-XXX

Assembly 4: Paper Feed (Autocompensator)

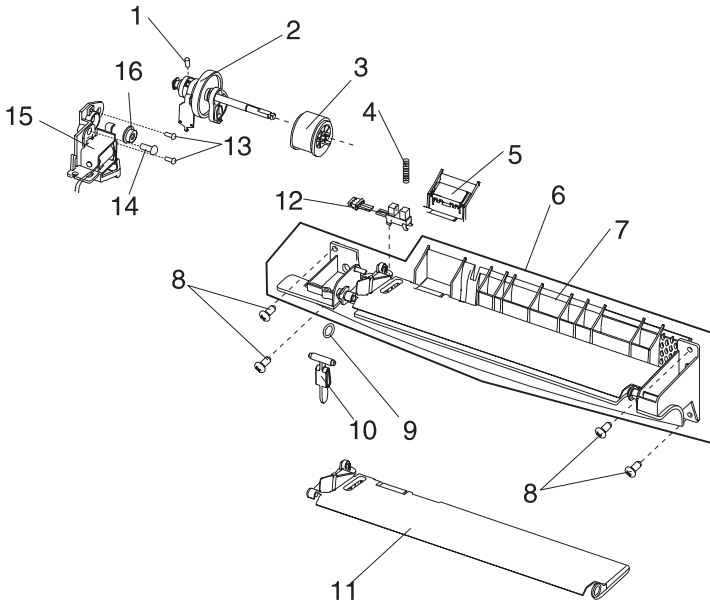


4059-XXX

Asm- Index	Part Number	Units	Description
4-1	99A0060	1	Sensor, Paper Out Internal Tray
4-2	99A0067	1	Pick Arm Assembly (250)
4-3	99A0070	2	Pick Rolls
NS		1	Screw, Hanger PP 99A0263

4059-XXX

Assembly 5: Paper Feed - Multipurpose Unit

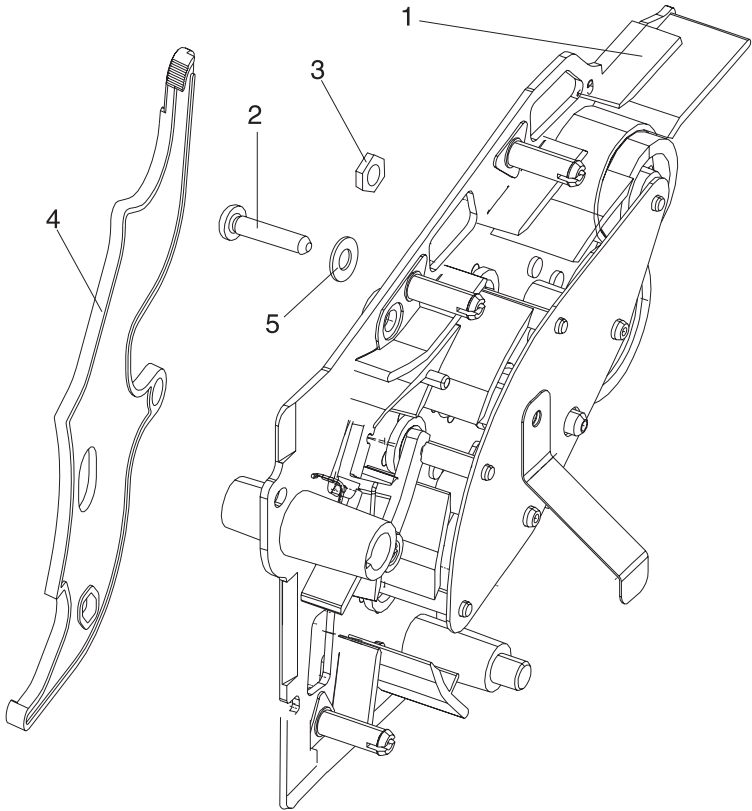


4059-XXX

Asm-Index	Part Number	Units	Description
5-1	99A0075	1	Screw, Socket Set M4X5 mm 1250/1255/1650/1620/2420/1855/1625
5-2	99A0071	1	Arm Assembly, MPT 1620/1650/1250/1255/2420/1855/1625
5-3	99A0076	1	Pick Roll Assembly 1250/1255/1620/1650/2420/1855/1625
5-4	99A0081	1	Spring Assembly, Separator 1620/1650/1250/1255/2420/1855/1625
5-5	99A0083	1	MPT Pad Assembly Kit o Restraint Pad o MPT Pad Assembly 1250/1255/1620/1650/2420/1855/1625
5-6	99A0077	1	Deflector Assembly, MPT 1620/1650/1250/1255/2420/1855/1625
5-7	99A0080	1	Deflector, Lower
5-8		2	Screw, Lower Deflector Mounting 8 mm PP 99A0263 2450
5-8		2	Screw, Lower Deflector Mounting 12mm PP 99A0263 1250/1255/1620/1650/2420/1855/1625
5-9	99A0021	1	O-Ring, Lower Front Door
5-10	99A0084	1	Flag, MPT Paper Out 1250/1255/1650/1620/2420/1855/1625
5-11	99A0082	1	Plate Assembly, MPT 1620/1650/1250/1255/2420/1855/1625
5-12	99A0078	1	Sensor, MPT Paper Out 1250/1255/1620/1650/2420/1855/1625
5-13	99A0073	2	Screw, Damper 1620/1650/1250/1255/2420/1855/1625
5-14		1	Screw, Frame Mounting PP 99A0263 1620/1650/1250/1255/2420/1855/1625
NS		2	Clip, Pick Roll Shaft PP 99A0267
5-15	99A0072	1	Solenoid, MPT 1620/1650/1250/1255/2420/1855/1625
5-16	99A0074	2	Bushing, Pick Roll Shaft 1250/1255/1620/1650/2420/1855/1625

4059-XXX

Assembly 6: Paper Feed - Alignment

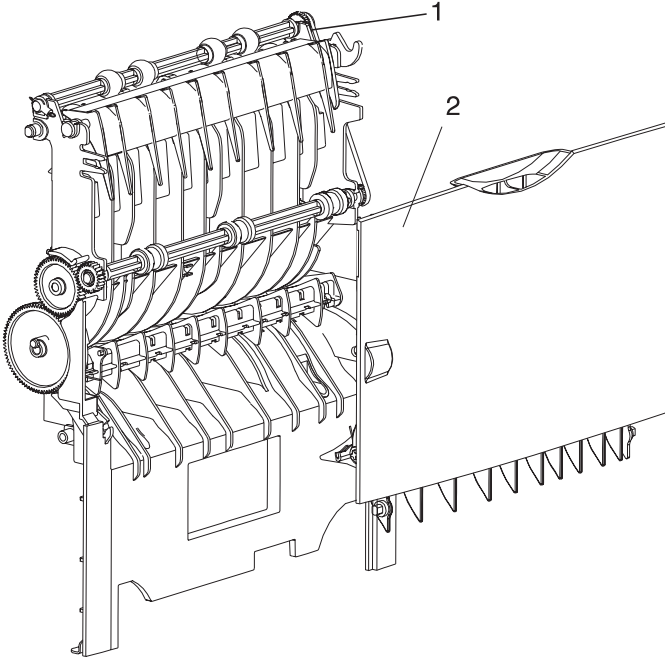


4059-XXX

Asm-Index	Part Number	Units	Description
6-1	99A0089	1	Alignment Assembly Paper Feed
6-2	99A0492	1	Screw, Paper Reference Adjustment
6-3	99A0566	1	Nut
6-4	99A0559	1	Lever, Bellcrank Release
6-5	99A0565	1	Washer, Reference Adjustment
NS	99A0490	1	Clip, Reference Ground
NS		2	Screw, Alignment Asm Mtg PP 99A0263

4059-XXX

Assembly 7: Paper Feed - Output

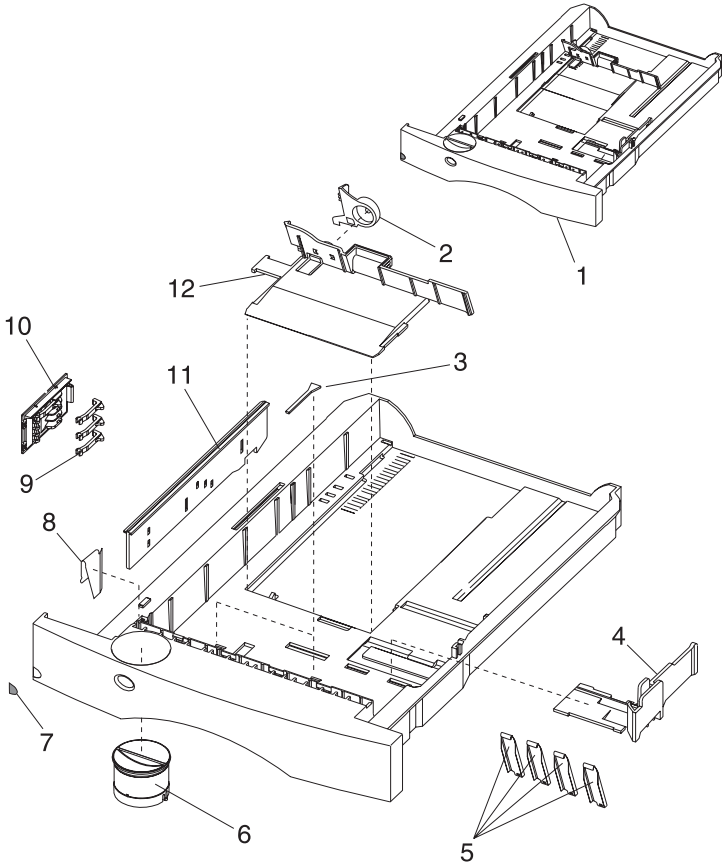


4059-XXX

Asm-Index	Part Number	Units	Description
7-1	99A0090	1	Deflector Assembly, Inner 500 2450/2455
7-1	99A0091	1	Deflector Assembly, Inner 250 1620/1650/1250/1255/2420/1855/1625
7-1	99A0502	1	Deflector Assembly, Inner 250 1855-C01
7-2	99A0109	1	Deflector Assembly Outer 500 2450/2455
7-2	99A0110	1	Deflector Assembly Outer 250 1620/1650/1250/1255/2420/1855/1625
NS	99A0104	1	Spring, Upper Diverter
NS	99A0107	1	Separator, Upper
NS		2	Screw, SEMS-Duplex Path PP 99A0263
NS	99A0891	1	Deflector Assembly, Inner 500 3455
NS	99A0921	1	Restraint, Door Hinge

4059-XXX

Assembly 8: Integrated Paper Tray - 250 Sheet

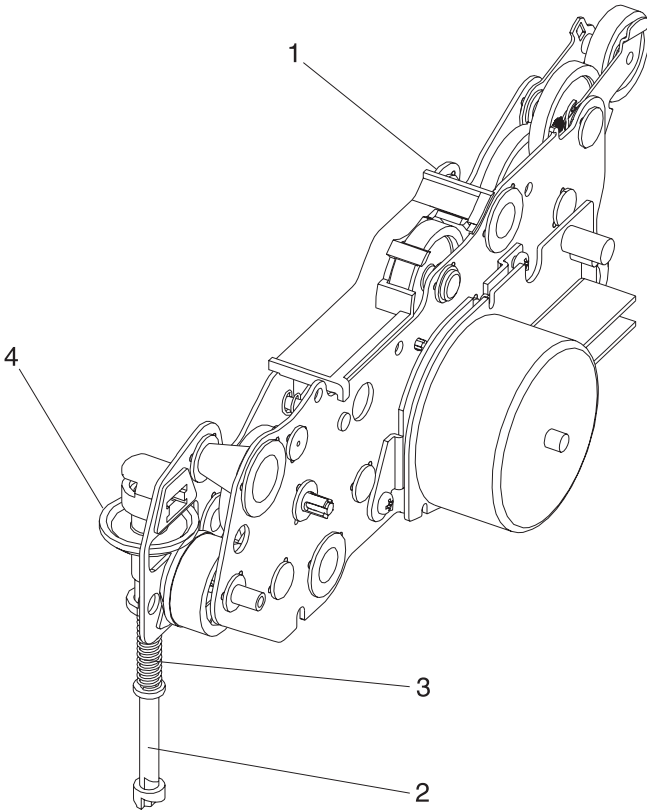


4059-XXX

Asm-Index	Part Number	Units	Description
8-1	99A0115	1	Tray, Integrated 250 Sheet
8-1	99A0504	1	Tray, Integrated 250 Sheet 1855-C01
8-2	99A0894	1	Latch, Back Restraint
8-3	99A0120	2	Restraint Pad
8-4	99A0892	1	Restraint, Side 250 Sheet Tray
8-5	99A0119	4	Wear Strips
8-6	99A0123	1	Indicator Assembly, Paper Size
8-7	99A0461	1	Label, Tray Number
8-8	99A0121	1	Clip, 250 Tray Wear
8-9	99A0126	4	Finger, Autosize
8-10	99A0124	1	Plate, Snap-In
8-11	99A0127	1	Slider, Autosize 250
8-12	99A0893	1	Restraint, Back 250 Sheet Tray
NS		2	Screw, Deflector Mounting PP 99A0263
NS	99A0452	1	Washer, Latch Mounting
NS		1	Screw, Latch Mounting PP 99A0263
NS	99A0501	1	Strip Assembly, Paper Tray Insert 1855-C01

4059-XXX

Assembly 9: Main Drive

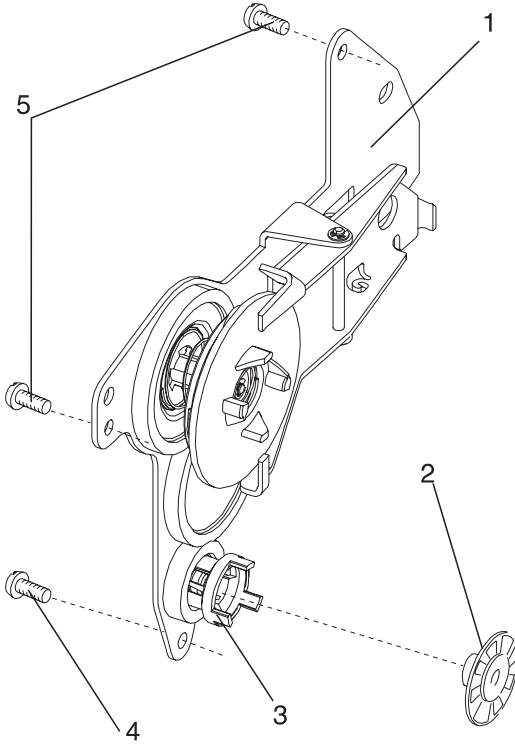


4059-XXX

Asm-Index	Part Number	Units	Description
9-1	99A0129	1	Gearbox, w/Motor 2420/2450/2455
9-1	99A0130	1	Gearbox, w/Motor 1620/1650/1250/1255/1855/1625
9-1	99A0801	1	Gearbox, w/Motor 3455
9-2	99A0134	1	Shaft, Power Takeoff
9-3	99A0275	1	Spring, Power Takeoff Shaft
9-4	99A0954	1	Gear, Bevel
NS		4	Screw, Gearbox Mounting PP 99A0263
NS		3	Screw, Motor Mounting PP 99A0263
NS	99A0260	2	Clip, Cable

4059-XXX

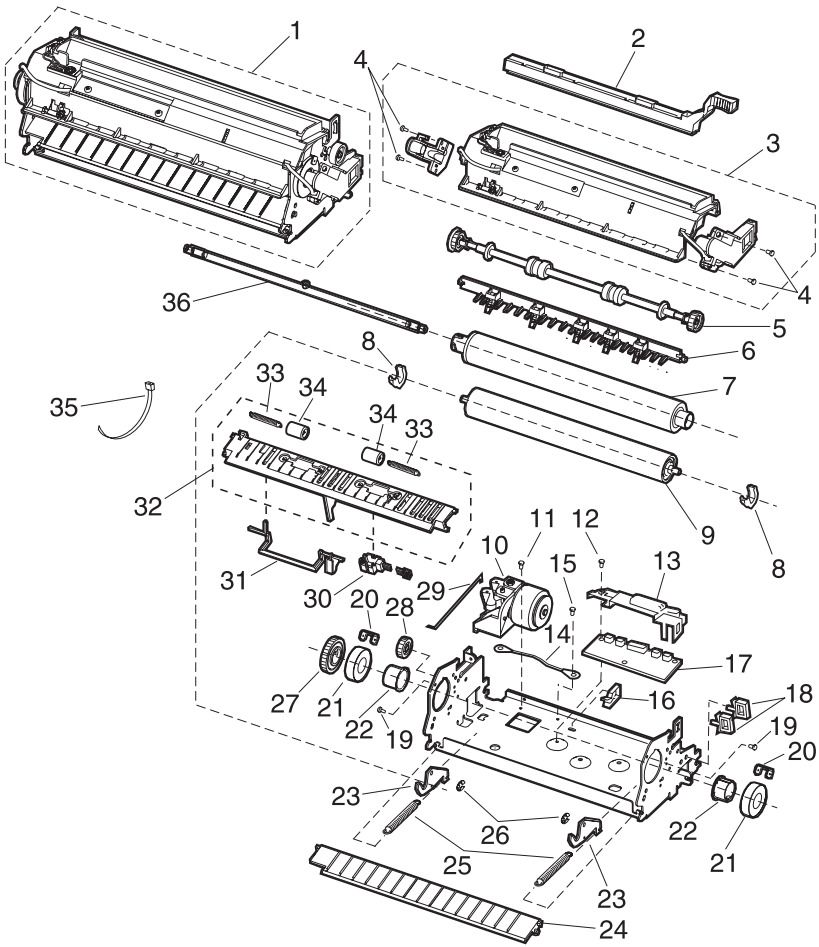
Assembly 10: Developer Drive



4059-XXX

Asm-Index	Part Number	Units	Description
10-1	99A0135	1	Developer Drive Assembly
10-2	99A0136	1	Shaft, Developer Drive
10-3	99A0564	1	Coupler, Gear #55
10-4		1	Screw, Developer Drive Ground PP 99A0263
10-5		2	Screw, Developer Drive Mtg PP 99A0263

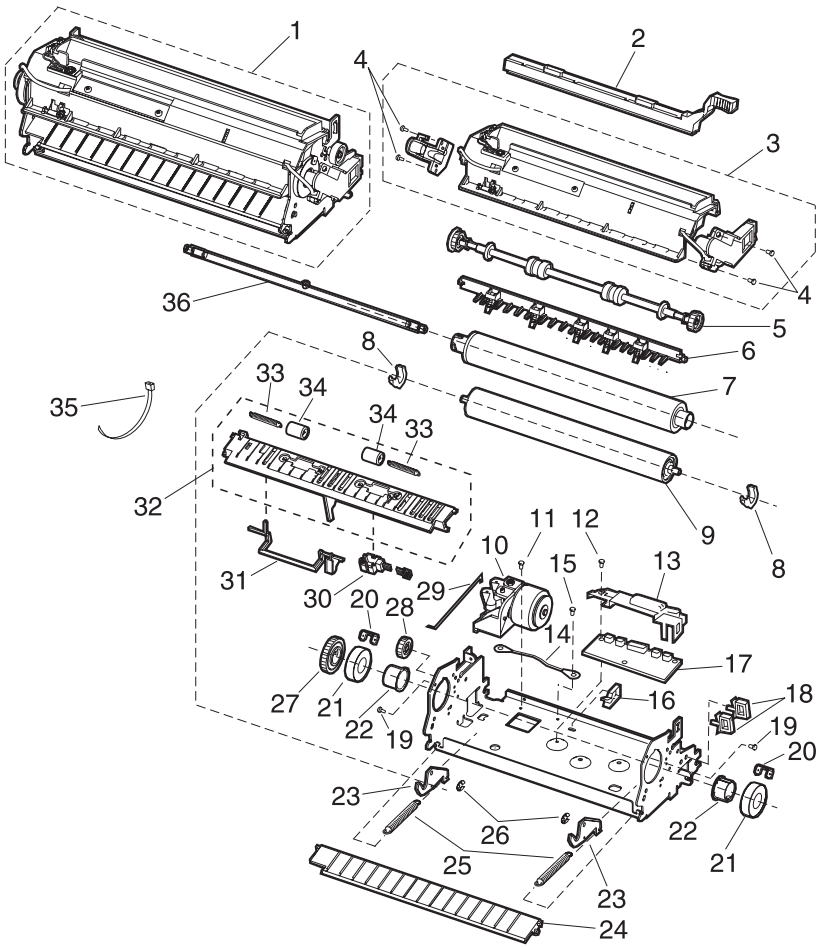
Assembly 11: Fuser



4059-XXX

Asm-Index	Part Number	Units	Description
11-1	99A0473	1	Fuser Assembly w/100V 750W Lamp 2420/2450/2455
11-1	99A0474	1	Fuser Assembly w/115V 750W Lamp 2420/2450/2455
11-1	99A0475	1	Fuser Assembly w/220V 750W Lamp 2420/2450/2455
11-1	99A0476	1	Fuser Assembly w/100V 500W Lamp 1620/1650/1855/1625
11-1	99A0477	1	Fuser Assembly w/115V 500W Lamp 1620/1650/1855/1625
11-1	99A0478	1	Fuser Assembly w/220V 500W Lamp 1620/1650/1855/1625
11-1	99A0524	1	Fuser Assembly w/100V 500W Lamp 1250/1255
11-1	99A0525	1	Fuser Assembly w/115V 500W Lamp 1250/1255
11-1	99A0526	1	Fuser Assembly w/220V 500W Lamp 1250/1255
11-1	99A0830	1	Fuser Assembly w/115V 750W Lamp 3455
11-1	99A0831	1	Fuser Assembly w/220V 750W Lamp 3455
11-2	99A0146	1	Wiper Assembly, Dry
11-2	99A0725	1	Wiper Assembly, Wet
11-3	99A0918	1	Cover, Fuser Assembly with Thermistor, Thermal Fuse, and LH & RH Fuser Lamp Contact Assemblies
11-4		4	Screw, Contact Assembly PP 99A0263
11-5	99A0147	1	Exit Roll Assembly
11-6	99A0156	1	Detack Assembly 1250/1255/1620/1625/1650/1855/2420/2450/2455
11-6	99A0833	1	Detack Assembly 3455
11-7	99A0562	1	Hot Roll Assembly 1250/1255
11-7	99A0563	1	Hot Roll Assembly 1620/1650/1855
11-7	99A0149	1	Hot Roll Assembly 2420/2450/2455
11-7	99A0832	1	Hot Roll Assembly 3455
11-8	99A0144	2	Retainer, Backup Roll Bearing

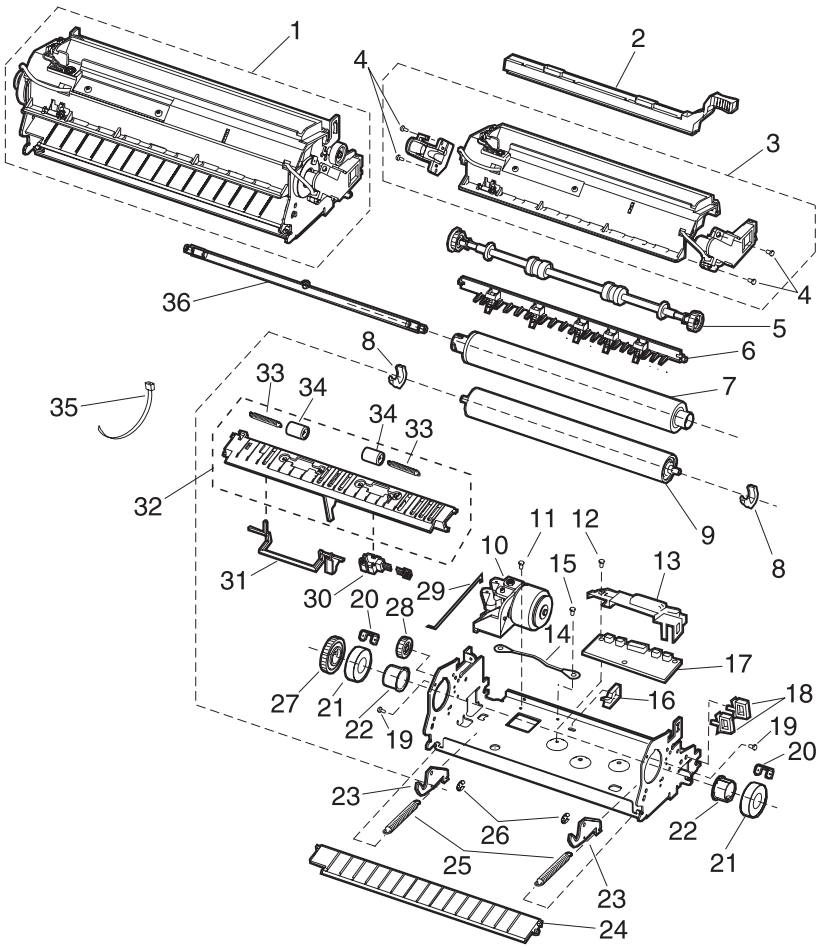
Assembly 11: Fuser (continued)



4059-XXX

Asm-Index	Part Number	Units	Description
11-9	99A0158	1	Backup Roll, CBM 30 mm 2420/2450/3455
11-9	99A0160	1	Backup Roll, CBM 22 mm 1620/1650/1250/1255/1855/1625
NS	99A0159	2	Spacer, Backup Roll 1620/ 1650/1250/1255/1855
11-10	99A0173	1	Solenoid Assembly, Envelope Conditioner 1620/1625/1650/1855/2420/2450/2455/3455
11-11		1	Screw, Solenoid Mounting PP 99A0263
11-12		1	Screw, Board Cover Mounting PP 99A0263
11-13	99A0557	1	Cover, Fuser Board 1620/1650/2420/2450/2455/1855/1625
11-14	99A0547	1	Wire, Ground
11-15		1	Screw, Ground Wire PP 99A0263
11-16	99A0196	1	Clamp, DC Fuser Cable
11-17	99A0170	1	Board Assembly, Fuser w/o Driver 1250/1255
11-17	99A0171	1	Board Assembly, Fuser w/Driver 1620/1650/2420/2450/2455/1855/1625
11-17	99A0826	1	Board Assembly, Fuser 3455
11-18	99A0546	2	Clamp, AC Fuser Cable
11-19		2	Screw, Fuser Cover Assembly PP 99A0263
11-20	99A0142	2	Retainer, Hot Roll Bearing
11-21	99A0143	2	Bearing, Hot Roll
11-22	99A0150	2	Bushing, Hot Roll
11-23	99A0163	2	Bellcrank, Backup Roll 1250/1255
11-23	99A0162	2	Bellcrank, Backup Roll 1620/1650/1855/1625
11-23	99A0161	2	Bellcrank, Backup Roll 2420/2450/2455
11-23	99A0890	1	Bellcrank, Backup Roll 3455
11-24	99A0164	1	Guide, Fuser Entry 1620/1650/2420/2450/2455/1855/1625/3455
11-24	99A0713	1	Guide, Fuser Entry 1250/1255
11-25	99A0412	2	Spring, Backup Roll Bellcrank 1250/1255
11-25	99A0410	2	Spring, Backup Roll Bellcrank 1620/1650/2420/2450/2455/1855/1625/3455
11-26		2	Retainer, Backup Roll Bellcrank PP 99A0267
11-27	99A0157	1	Gear, Hot Roll
11-28	99A0148	1	Gear, Idler

Assembly 11: Fuser (continued)

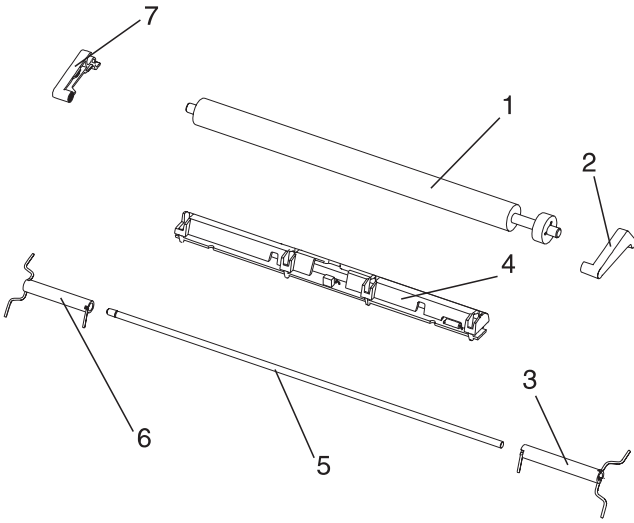


4059-XXX

Asm-Index	Part Number	Units	Description
11-29	99A0297	1	Link, Solenoid 1620/1650/2420/2450/1855/1625/2455/3455
11-30	99A0169	1	Sensor, Narrow Media
11-31	99A0172	1	Flag, Exit Sensor
11-32	99A0166	1	Guide Assembly, Lower Exit w/Narrow Media Sensor
11-33	99A0897	2	Spring, Redrive Idler
11-34	99A0167	2	Roller, Redrive Idler
11-35		1	Tie, Wire PP 99A0577
11-36	99A0140	1	Lamp, 115V 750W CC Red 2420/2450/2455/3455
11-36	99A0141	1	Lamp, 115V 500W CC White 1250/1255/1620/1625/1650/1855
11-36	99A0177	1	Lamp, 100V 500W CC Yellow 1250/1255/1620/1625/1650/1855
11-36	99A0178	1	Lamp, 100V 750W CC Purple 2420/2450/2455
11-36	99A0175	1	Lamp, 220V 750W CC Orange 2420/2450/2455/3455
11-36	99A0176	1	Lamp, 220V 500W CC Black 1250/1255/1620/1650/2455
NS		7	Screw, Hanger PP 99A0263 2450/1250
NS	99A0145	3	Clip, Fuse Mounting
NS	99A0919	2	Standoff, Fuser Control Board

4059-XXX

Assembly 12: Transfer

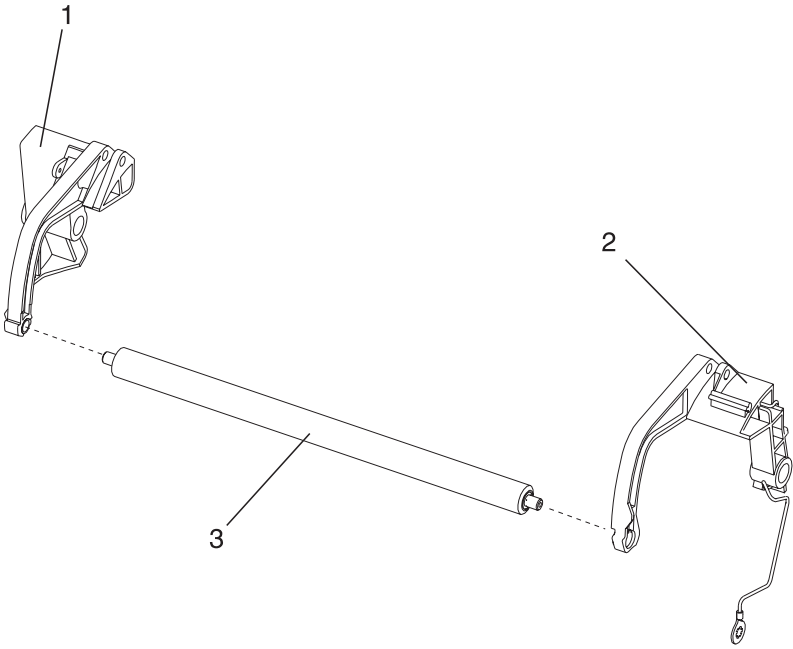


4059-XXX

Asm-Index	Part Number	Units	Description
12-1	99A0179	1	Transfer Roll Assembly
12-1	99A0498	1	Transfer Roll Assembly 1855-C01 PRC
12-2	99A0349	1	Arm, Transfer Roll Assembly Right
12-3	99A0184	1	Spring, Transfer Roll Right
12-4	99A0186	1	Erase Lamp Assembly Kit o Lamp, Erase Assembly o Lens, Erase Lamp
12-5	99A0185	1	Shaft, Transfer Pivot
12-6	99A0181	1	Spring, Transfer Roll Left
12-7	99A0354	1	Arm, Transfer Roll Left
NS		1	Retainer, Pivot Shaft PP 99A0267

4059-XXX

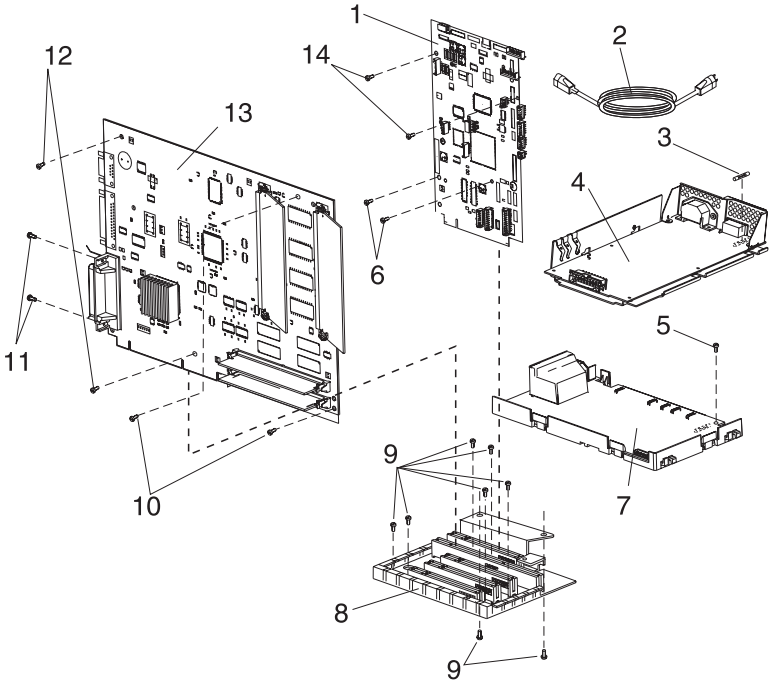
Assembly 13: Charging



Asm-Index	Part Number	Units	Description
13-1	99A0512	1	Link Assembly, Charge Left Kit
13-2	99A0513	1	Link Assembly, Charge Right Kit
13-3	99A1033	1	Roll Assembly, Charge
NS		1	Screw, Charge Roll PP 99A0263

4059-XXX

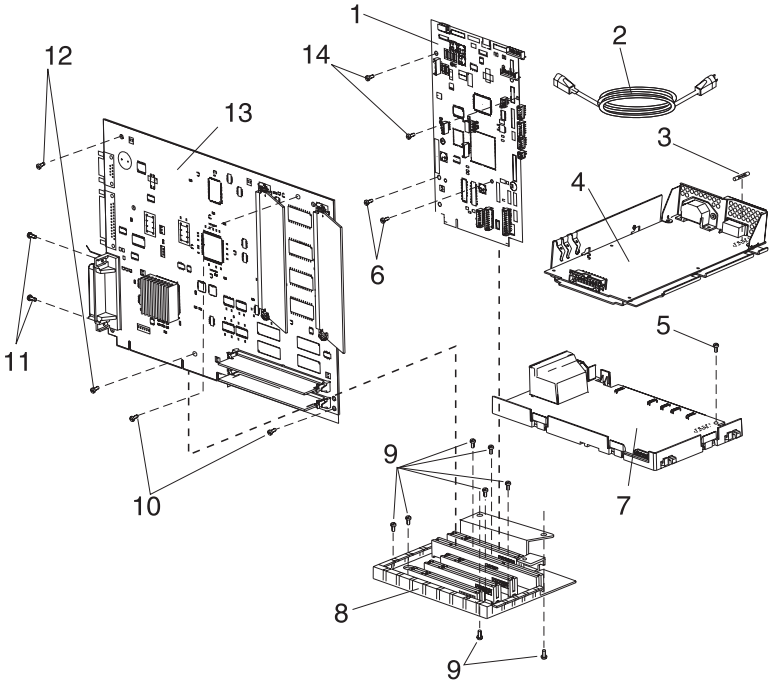
Assembly 14: Electronics



4059-XXX

Asm-Index	Part Number	Units	Description
14-1	99A0900	1	Engine Board Assembly with laser cable 1250/1255
14-1	99A0901	1	Engine Board Assembly with laser cable 1620/1625/1650
14-1	99A0902	1	Engine Board Assembly with laser cable 1855/1855-C01
14-1	99A0903	1	Engine Board Assembly with laser cable 2420/2450/2455
14-1	99A0946	1	Engine Board Assembly with jumpers 3455
14-2	1342514	1	Power Cord Set, 8 ft. - U.S., Canada (LV), Nicaragua, Venezuela, Peru (LV), Bolivia, Colombia, Costa Rica, Ecuador, El Salvador, Guatemala, Honduras, Mexico, Panama
14-2	1339538	1	Europe, 6 ft.
14-2	1342536	1	Power Cord Set, 6 ft. - Argentina (HV), Paraguay (HV), Uruguay (HV), APG (LV)
14-2	1342537	1	Power Cord Set, 8 ft. - U.K., Ireland
14-2	1339539	1	Power Cord Set, 6 ft. - Israel
14-2	1339540	1	Power Cord Set, 6 ft. - Switzerland
14-2	1339541	1	Power Cord Set, 6 ft. - South Africa
14-2	1342534	1	Power Cord Set, 8 ft. - Chile (HV)
14-2	1339543	1	Power Cord Set, 8 ft. - Denmark
14-2	1339542	1	Power Cord Set, 6 ft. - Italy
14-2	1374067	1	Power Cord Set, 8 ft. - Peru (HV)
14-2	99A0471	1	Power Cord Set, 8 ft. straight 1855-C01
14-2	99A0493	1	Power Cord Set, 6 ft. straight 1855-C01
14-2	99A0496	1	Power Cord Set, 8 ft. right angle 1855-C01
14-2	99A0497	1	Power Cord Set, 6 ft. right angle 1855-C01
14-3	99A0215	1	Fuse, 110 V ac LVPS
14-3	99A0205	1	Fuse, 220 V ac
14-4	99A0214	1	LVPS, 110 V ac 2420/2450/2455/3455
14-4	99A0216	1	LVPS, 110 V ac 1620/1650/1625/1855
14-4	99A0218	1	LVPS, 110 V ac 1250/1255
14-4	99A0199	1	LVPS, 220 V ac 2420/2450/2455/3455
14-4	99A0201	1	LVPS, 220 V ac 1620/1650/1855/1625
14-4	99A0203	1	LVPS, 220 V ac 1250/1255

Assembly 14: Electronics (continued)

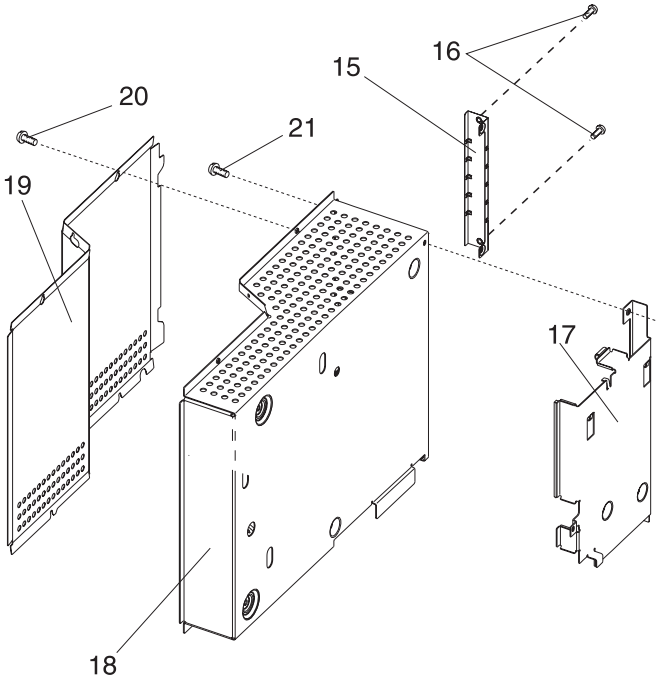


4059-XXX

Asm-Index	Part Number	Units	Description
14-5		1	Screw, HVPS Mounting PP 99A0263
14-6		1	Screw, Engine Bd Mounting Top PP 99A0263
14-7	99A0220	1	High Voltage Power Supply
14-7	99A0827	1	High Voltage Power Supply 3455
14-8	99A0376	1	Interconnect Board Assembly 2450/2455/3455 o 3 Slot
14-8	99A0930	1	Interconnect Board Assembly 1650/1855/2420 o 2 Slot
14-8	99A0960	1	Interconnect Board Assembly 1250/1255/1620/1625 o 1 Slot
14-9		2	Screw, Int Board Mounting PP 99A0263
14-9		1	Screw, Int Board Shield Ground PP 99A0263
14-9		2	Screw, Int Shield Mounting PP 99A0263
14-9		3	Screw, Int Shield Mounting PP 99A0263
14-10		2	Screw, Controller Bd Mounting Front PP 99A0263
14-11	99A0426	2	Screw, Parallel Connector Mounting
14-12		2	Screw, Controller Bd Mounting Back PP 99A0263
14-13	99A0187	1	Controller Board Assembly 1250/1620
14-13	99A0840	1	Controller Board Assembly 1255
14-13	99A0841	1	Controller Board Assembly 1625
14-13	99A0183	1	Controller Board Assembly 1650/2420
14-13	99A0842	1	Controller Board Assembly 1855
14-13	99A0139	1	Controller Board Assembly 2450
14-13	99A0844	1	Controller Board Assembly 2455
14-13	99A0845	1	Controller Board Assembly 3455
14-14		2	Screw, Engine Bd Mtg Bottom PP 99A0263
14-14		2	Screw, Engine Bd Mtg Front PP 99A0263
14-14		2	Screw, Engine Bd Mtg Top PP 99A0263
NS	99A0575	1	Cable, Deflector
NS	99A0346	1	Clip, EMC Six Finger

4059-XXX

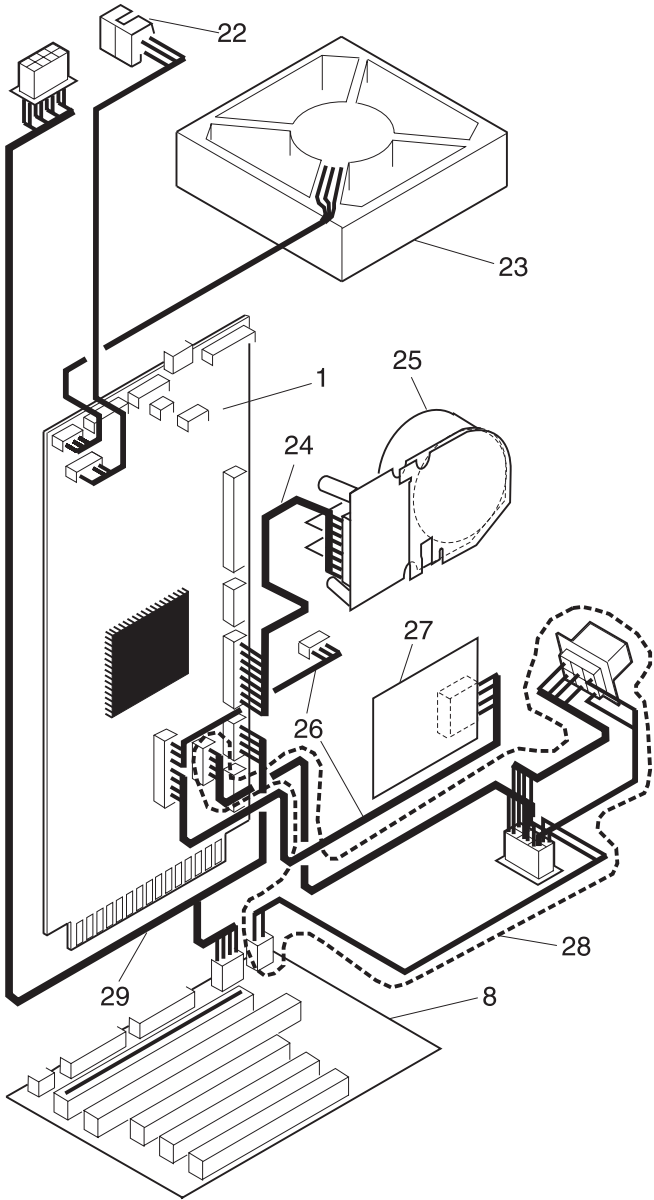
Assembly 14: Electronics (continued)



4059-XXX

Asm-Index	Part Number	Units	Description
14-15	99A0236	1	Cover, INA Blank
NS	99A0408	1	Cover, INA Flat (Blank)
14-16		6	Screw, INA Cover Mounting PP 99A0263 2450
14-16		4	Screw, INA Cover Mounting PP 99A0263
14-16		2	Screw, INA Cover Mounting PP 99A0263
14-17	99A0213	1	Engine Board Shield Assembly
14-18	99A0239	1	Shield, Inner Assembly 1250/1620/1625
		1	o Cover, INA Blank
14-18	99A0238	1	Shield, Inner Assembly 1650/2420/1855
		2	o Cover, INA Blank
14-18	99A0235	1	Shield, Inner Assembly 2450/2455/3455
		3	o Cover, INA Blank
14-19	99A0207	1	Shield, Outer 1250/1255/1620/1625
14-19	99A0206	1	Shield, Outer 1650/2420/1855
14-19	99A0204	1	Shield, Outer 2450/2455
NS	99A0224	1	Shield, Interconnect Board 2450/2455/3455
NS	99A0229	1	Shield, Interconnect Board 1625/1650/1855/2420
NS	99A0230	1	Shield, Interconnect Board 1250/1255
NS	99A0243	1	Shield, Interconnect Board Mylar 2450/2455/3455
NS	99A0244	1	Shield, Interconnect Board Mylar 1625/1650/1855/2420
NS	99A0245	1	Shield, Interconnect Board Mylar 1250/1255
14-20		4	Screw, Outer Shield Mounting PP 99A0263
14-20		6	Screw, Outer Shield Mounting PP 99A0263 2450
14-21		1	Screw, Eng/Controller Mtg Ground PP 99A0263
NS		1	Screw, Eng/Int Shield Ground PP 99A0263
NS		2	Screw, Controller/Int Ground PP 99A0263
NS		2	Screw, Int/Pan Mounting PP 99A0263
NS		1	Screw, Eng/Int Ground PP 99A0263
NS	99A0260	1	Clip, Cable
NS		2	Screw, Cable Clip PP 99A0263

Assembly 14: Electronics (continued)

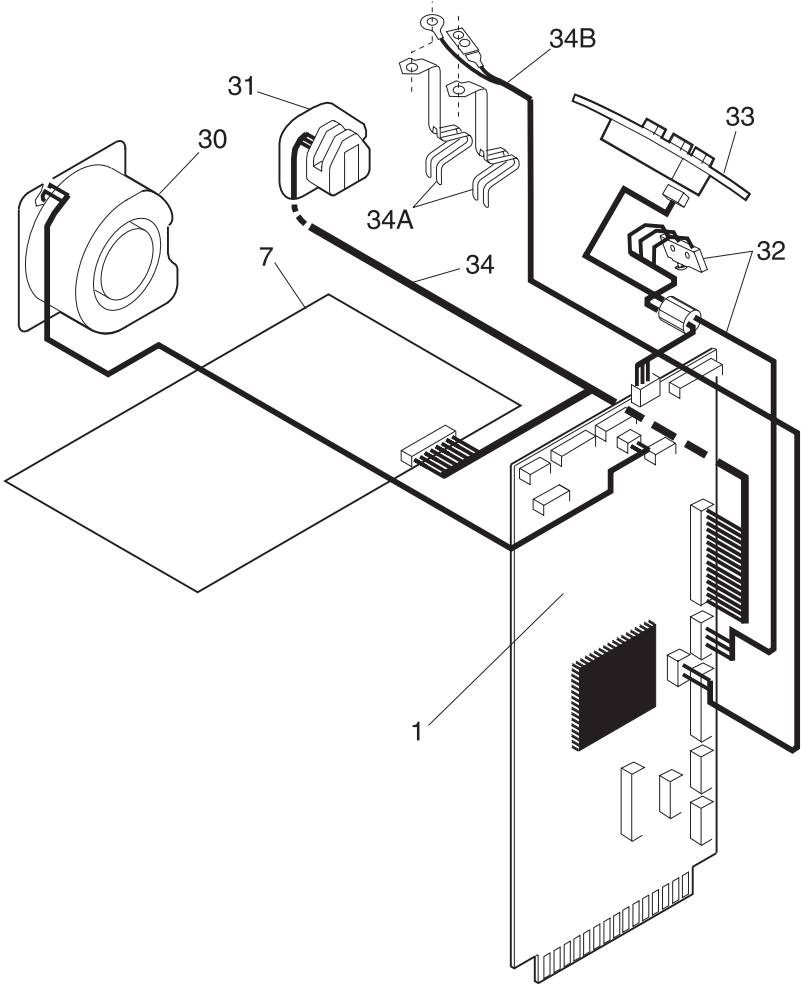


4059-XXX

Asm-Index	Part Number	Units	Description
14-22	99A0138	1	Sensor, Standard Bin Level
14-23	99A0030	1	Fan, Main
14-23	99A0803	1	Fan, Main 3455
14-24	99A0255	1	Cable, Main Drive Motor
14-25	99A0129	1	Gearbox, w/Motor 2450/2420/2455
14-25	99A0130	1	Gearbox, w/Motor 1620/1650/1250/1255/1855/1625
14-25	99A0801	1	Gearbox, w/Motor 3455
14-26	99A0256	1	Cable, Integrated Tray
14-27	99A0128	1	Board, Input Tray (ITC)
14-28	99A0254	1	Cable, Auto Connect Bottom
14-29	99A0257	1	Cable, Auto Connect Top 1650/1855/2420/2450/2455/3455

4059-XXX

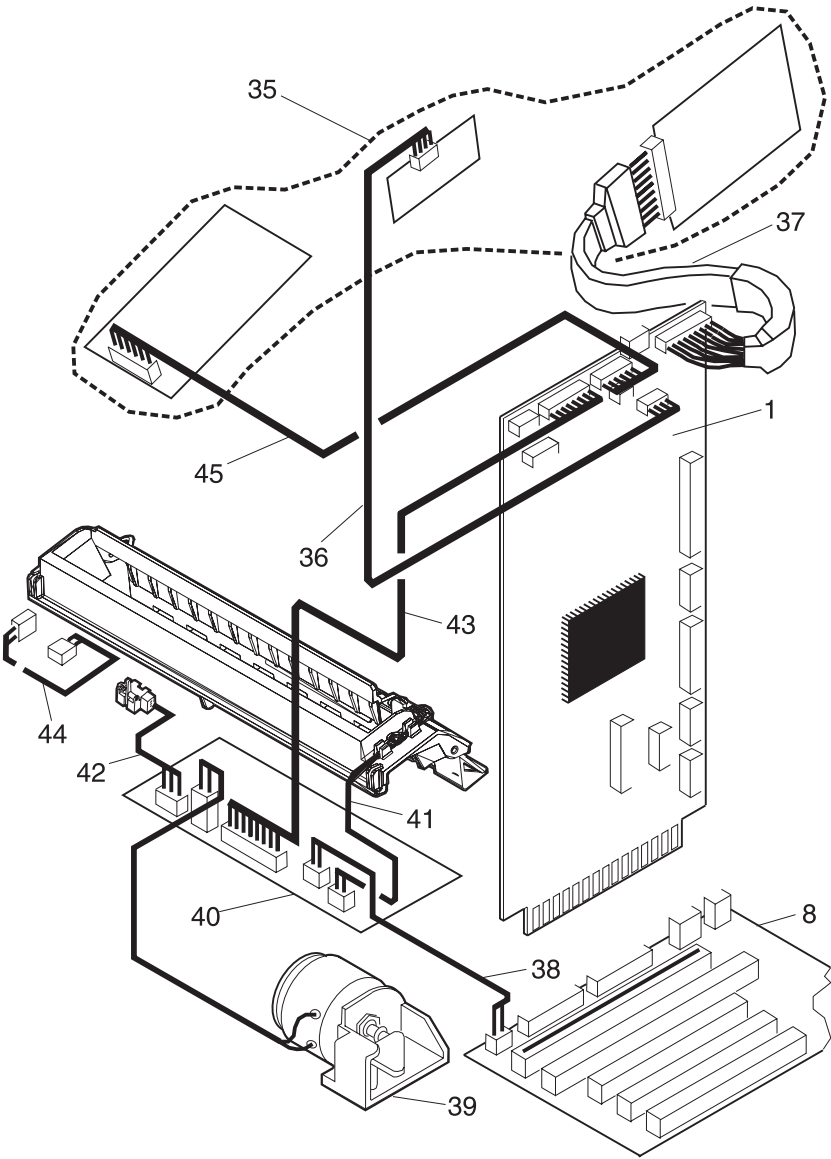
Assembly 14: Electronics (continued)



4059-XXX

Asm-Index	Part Number	Units	Description
14-30	99A0049	1	Fan, Auxiliary 2450/2455/3455
14-31	99A0466	1	Sensor, Toner Cartridge Level
14-32	99A0296	1	Switch, Cover Open w/Operator Panel Cable Assembly
14-33	99A0001	1	Operator Panel Assembly
14-34	99A0576	1	Cable, Front Harness
14-34A	99A0815	2	Contacts, Smart Cartridge
14-34B	99A0814	1	Cable, Smart Cartridge 3455

Assembly 14: Electronics (continued)

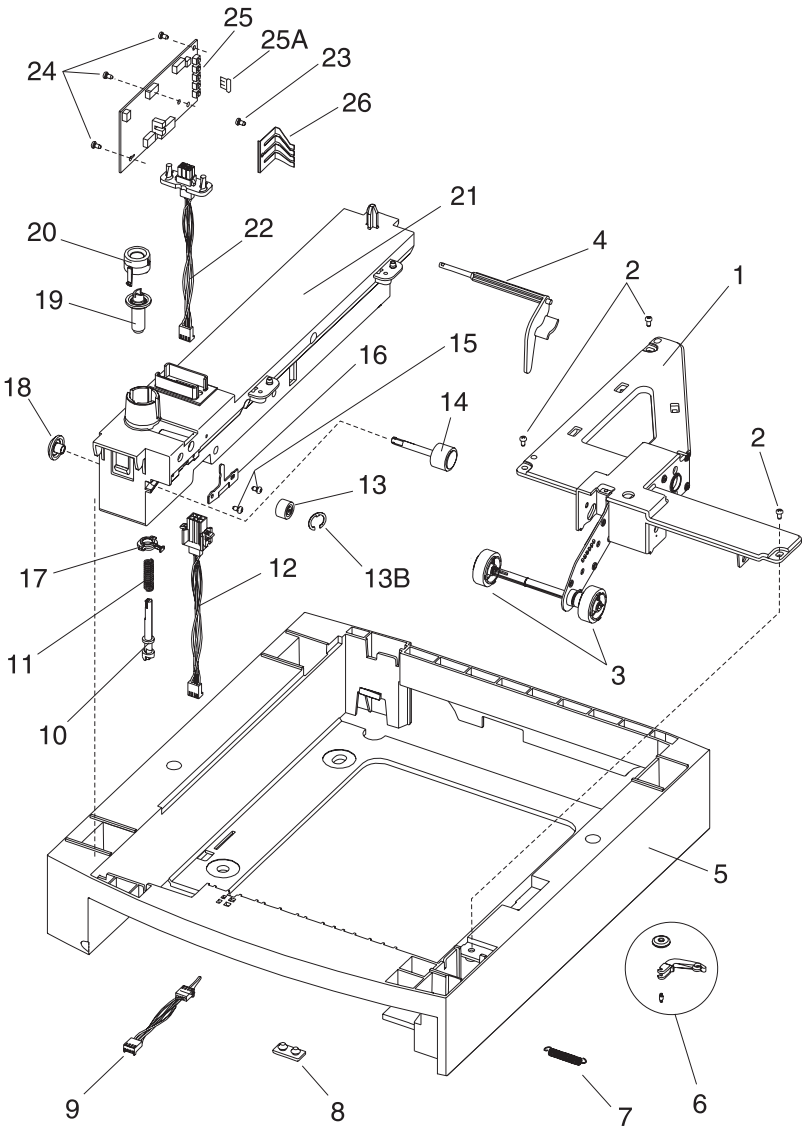


4059-XXX

Asm-Index	Part Number	Units	Description
14-35	99A0065	1	Printhead Assembly, 1620/1625/1650/1250/1255
14-35	99A0398	1	Printhead Assembly, 1855/1855-C01
14-35	99A0066	1	Printhead Assembly, 2420/2450/2455
14-35	99A0829	1	Printhead Assembly, 3455
14-36	99A0247	1	Cable, Hysnc
14-37	99A0251	1	Cable, Laser
14-37	99A0889	1	Cable, Laser 3455
14-37	99A0888	1	Cable, Laser 1855/1855-C01
14-38	99A0249	1	Cable, Envelope Conditioner 1620/1625/1650/1855/2420/2450/2455
14-39	99A0173	1	Solenoid Assembly, Envelope Conditioner 1620/1625/1650/1855/2420/2450/2455/3455
14-40	99A0170	1	Board Assembly, Fuser w/o Driver 1250/1255
14-40	99A0171	1	Board Assembly, Fuser with Driver 1620/1625/1650/1855/2420/2450/2455
14-40	99A0826	1	Board Assembly, Fuser 3455
14-41	99A0027	1	Cover, Fuser Assembly with Thermistor, Thermal Fuse and RH Fuser Lamp Contact Assembly
14-42	99A0169	1	Sensor, Narrow Media
14-43	99A0252	1	Cable, Fuser D.C.
14-44	99A0258	1	Cable, Fuser A.C.
14-45	99A0250	1	Cable, Mirror Motor

4059-XXX

Assembly 15: 250 Sheet Tray

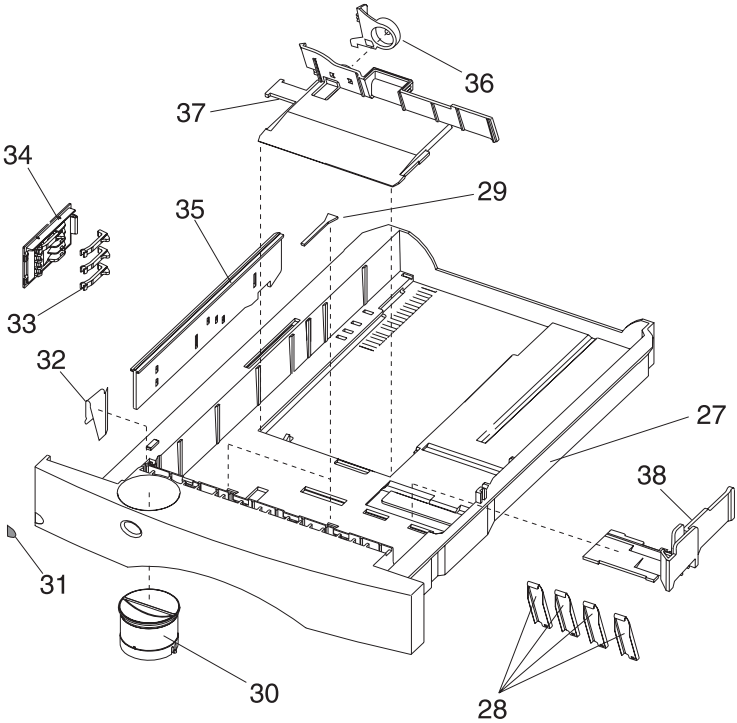


4059-XXX

Asm-Index	Part Number	Units	Description
15-1	99A0287	1	Pick Arm Assembly
15-2		3	Screw, Auto Comp Mounting PP 99A0263
15-3	99A0070	2	Roll Assembly, Pick
NS	99A0438	2	Bearing, Drive Roll
15-4	99A0448	1	Arm, Paper Out 250
15-5	99A0266	1	Base, 250 Option
15-6	99A0026	1	Tray Bias Arm Assembly
15-7	99A0419	1	Spring, Tray Bias
15-8	99A0058	4	Pad, Machine Mounting
15-9	99A0288	1	Sensor, Option Pass Thru
15-10	99A0272	1	Shaft, 250 Drive
15-11	99A0275	1	Spring, Power Takeoff
15-12	99A0282	1	Cable, 250 Tray Option
15-13	99A0451	1	Roller, Skewed Backup
15-13B	99A0450	1	Retainer, Roller
15-14	99A0276	1	Roll Assembly, Drive 500 Dual
15-15		2	Screw, Wear Plate Mounting PP 99A0263
15-16	99A0277	1	Wear Plate, Pass Thru 250 Tray
NS	99A0278	1	Bellcrank, Roller Release
15-17	99A0280	1	Bearing, Drive Shaft Low
15-18	99A0274	1	Gear, Feed Roll
15-19	99A0273	1	Gear, Bevel
15-20	99A0279	1	Bearing, Drive Shaft
15-21	99A0445	1	Stud Assembly, 250 Frame
15-22	99A0281	1	Cable, 250 Auto Connect Option
15-23		1	Screw, Switch Activate Spring Mounting PP 99A0263
15-24		3	Screw, Option Board Mounting PP 99A0263
15-25	99A0284	1	Board, Option Tray 1250/1620/1650/2420/2450
15-25	99A0397	1	Board, Option Tray 1255/1625/1855/2455/3455
15-25A	99A0627	1	Jumper, 2-pin
15-26	99A0063	1	Spring, Switch Activate

4059-XXX

Assembly 15: 250 Sheet Tray (continued)

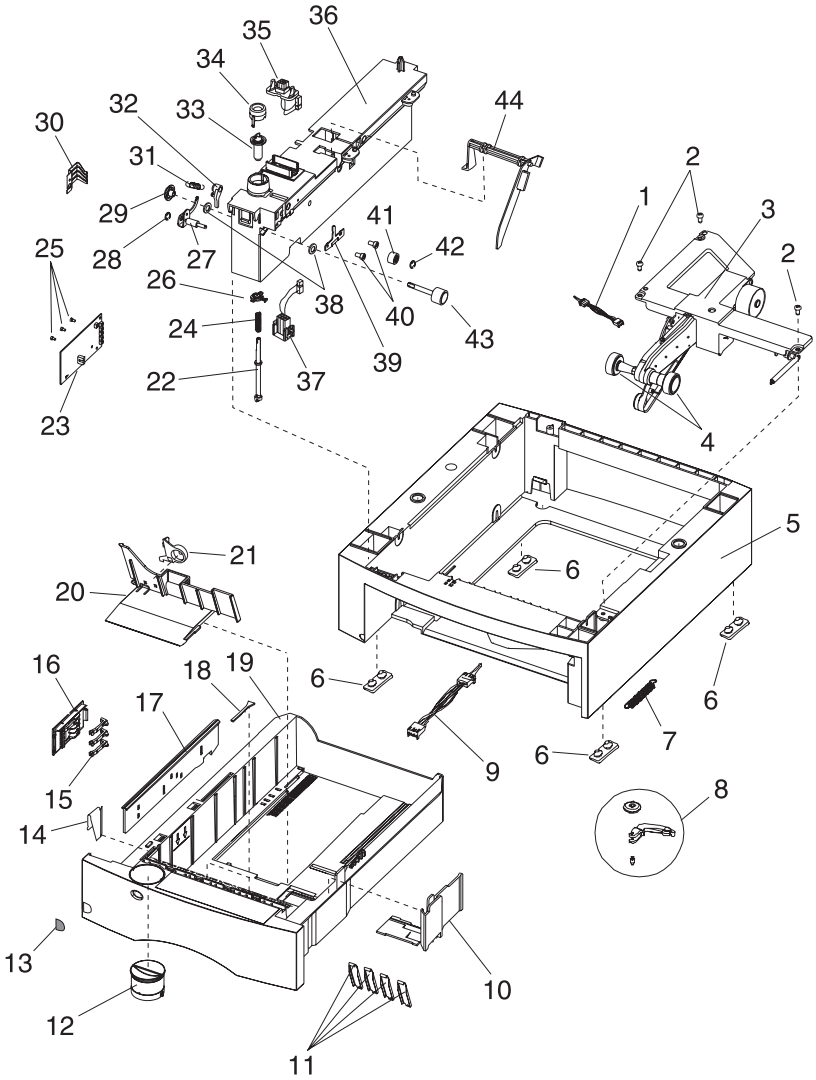


4059-XXX

Asm-Index	Part Number	Units	Description
15-27	99A0115	1	Tray Assembly, 250 Sheet Option
15-27	99A0504	1	Tray Assembly, 250 Sheet 1855-C01
15-28	99A0119	4	Wear Strips
15-29	99A0120	2	Restraint Pad
15-30	99A0123	1	Indicator Assembly, Paper Size
15-31	99A0461	1	Label, Tray Number (2-5)
15-32	99A0121	1	Clip, 250 Tray Wear
15-33	99A0126	4	Finger, Autosize
15-34	99A0124	1	Plate, Snap-In
15-35	99A0127	1	Slider, Autosize 250
15-36	99A0894	1	Latch, Back Restraint
15-37	99A0893	1	Restraint, Back 250 Sheet Tray
15-38	99A0892	1	Restraint, Side 250 Sheet Tray
NS	99A0429	1	Label, Options Circle 1255/1625/1855/2455
NS	99A0286	1	Spring, Backup Roller
NS	99A0446	1	Aligner Assembly, Paper
NS	99A0501	1	Strip Assembly, Paper Tray Insert 1855-C01

4059-XXX

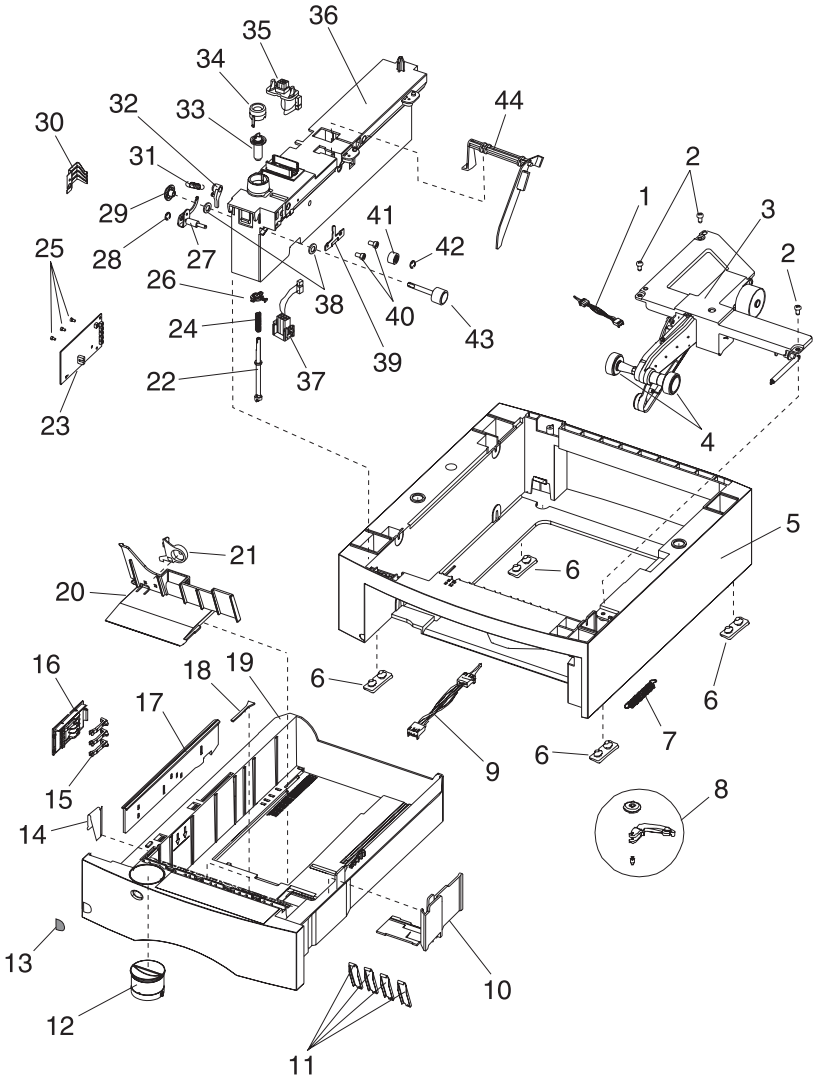
Assembly 16: 500 Sheet Tray



4059-XXX

Asm-Index	Part Number	Units	Description
16-1	99A0350	1	Sensor, Paper Low
16-2		3	Screw, Auto Comp Mounting PP 99A0263
16-3	99A0405	1	Pick Arm Assembly
16-4	99A0070	2	Pick Roll Assembly
16-5	99A0298	1	Base, 500 Bottom
16-6	99A0058	4	Pad, Base 500
16-7	99A0419	1	Spring, Tray Bias
16-8	99A0026	1	Tray Bias Arm Assembly
16-9	99A0288	1	Sensor, Option Pass Thru
16-10	99A0895	1	Restraint, Side 500 Sheet Tray
16-11	99A0292	4	Wear Strips
16-12	99A0123	1	Indicator Assembly, Paper Size
16-13	99A0461	1	Label, Tray Number (2-5)
16-14	99A0457	1	Clip, 500 Tray Wear
16-15	99A0126	4	Finger, Autosize
16-16	99A0124	1	Plate, Snap-In
16-17	99A0418	1	Slider, Autosize 500
16-18	99A0120	2	Restraint Pad
16-19	99A0289	1	Tray, 500 Sheet
16-20	99A0896	1	Restraint, Back 500 Sheet Tray
16-21	99A0894	1	Latch, Back Restraint
16-22	99A0447	1	Shaft, 500 Drive
16-23	99A0284	1	Board, Tray 1250/1620/1650/2420/2450
16-23	99A0397	1	Board, Tray 1255/1625/1855/2455/3455
16-24	99A0275	1	Spring, Power Takeoff
16-25		3	Screw, Board Mounting PP 99A0263
16-26	99A0280	1	Bearing, Drive Shaft Low
16-27	99A0446	1	Aligner Assembly, Paper
16-28		1	Retainer, Aligner Assembly PP 99A0267
16-29	99A0274	1	Gear, Feed Roll
16-30	99A0063	1	Spring, Switch Activate

Assembly 16: 500 Sheet Tray (continued)

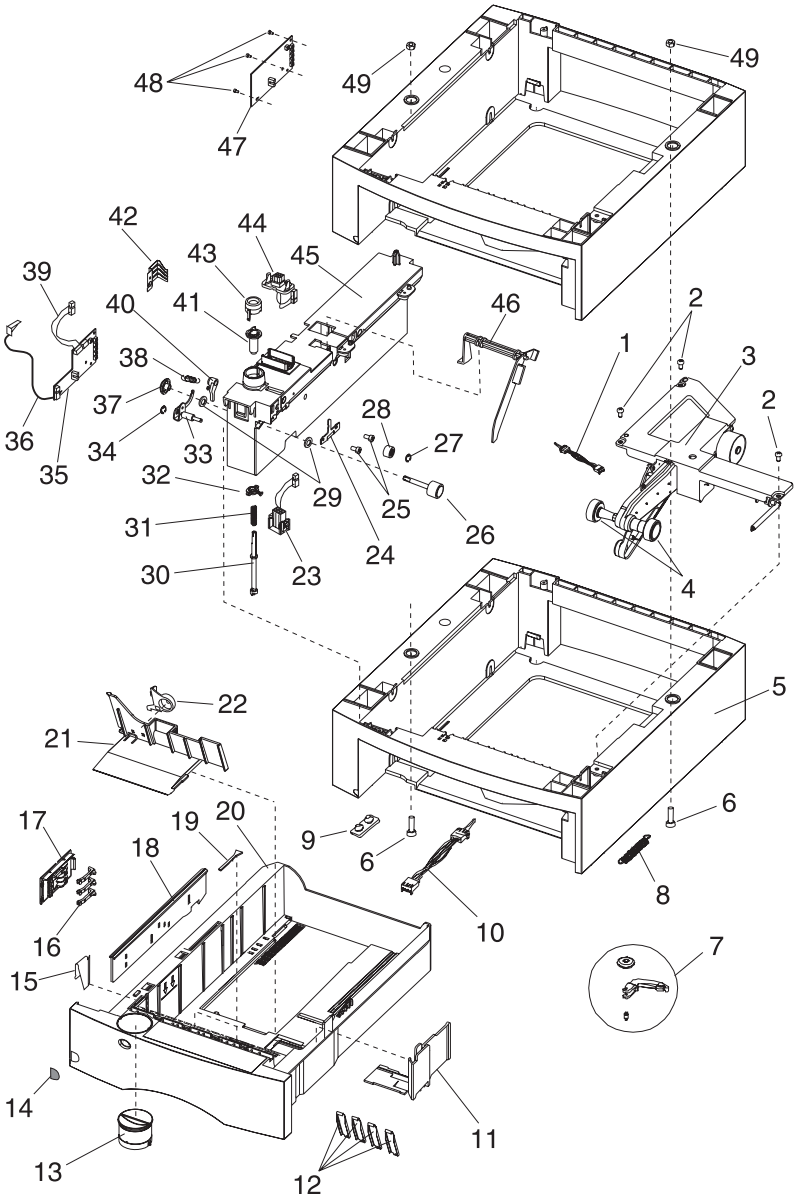


4059-XXX

Asm-Index	Part Number	Units	Description
16-31	99A0286	1	Spring, Backup Roller
16-32	99A0278	1	Bellcrank, Roller Release
16-33	99A0273	1	Gear, Bevel
16-34	99A0279	1	Bearing, Drive Shaft
16-35	99A0281	1	Cable, 500 Auto Connect Top
16-36	99A0444	1	Stud Assembly, 500 Frame
16-37	99A0282	1	Cable, 500 Auto Connect Bottom
16-38	99A0438	2	Bearing, Drive Roll
16-39	99A0277	1	Wear Plate, Pass Thru
16-40		2	Screw, Wear Plate Mounting PP 99A0263
16-41	99A0451	1	Roller, Skewed Backup
16-42	99A0450	1	Retainer, Roller
16-43	99A0276	1	Roll Assembly, Drive 500
16-44	99A0443	1	Arm, Paper Out 500
NS	99A0429	1	Label, Options Circle 1255/1625/1855/2455

4059-XXX

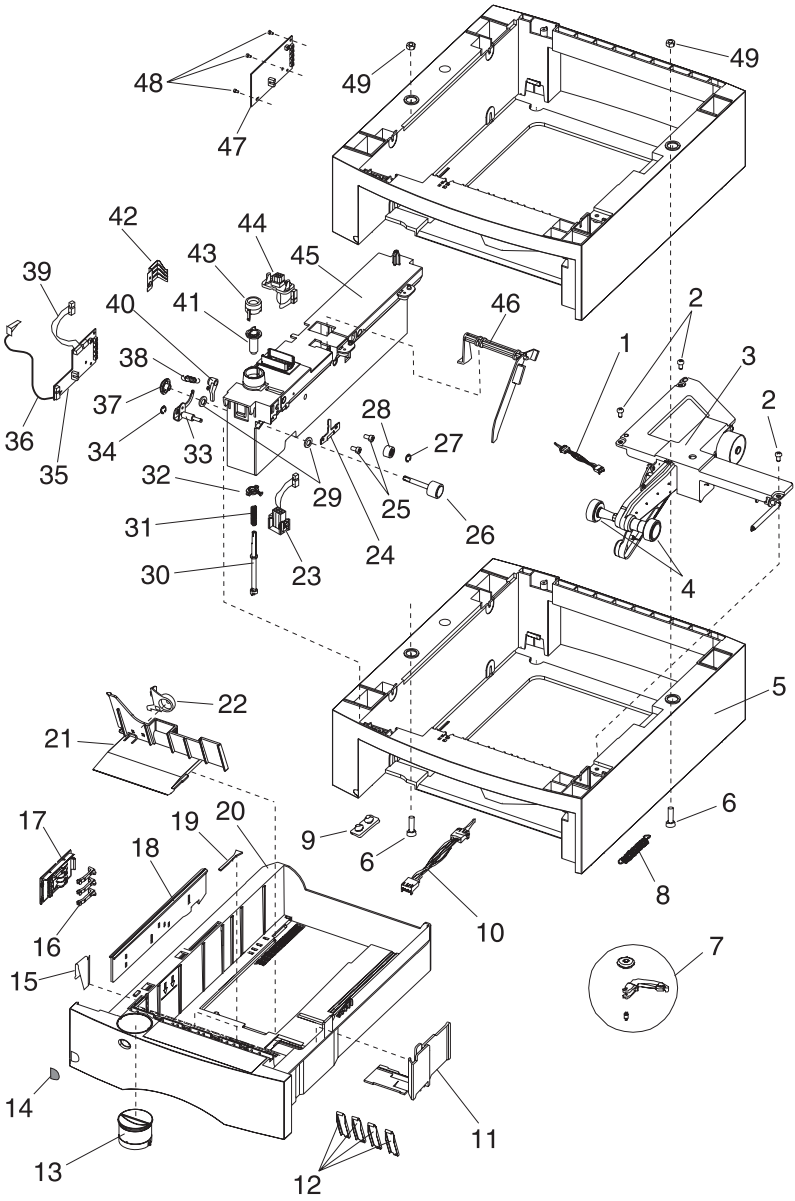
Assembly 17: 500/500 Dual Tray



4059-XXX

Asm-Index	Part Number	Units	Description
17-1	99A0350	1	Sensor, Paper Low
17-2		3	Screw, Auto Comp Mounting PP 99A0263
17-3	99A0405	1	Pick Arm Assembly
17-4	99A0070	2	Pick Roll Assembly
17-5	99A0293	1	Base, 500 Top
17-5	99A0298	1	Base, 500 Bottom
17-6	99A0514	2	Screw, Dual 500 Mounting
17-7	99A0026	1	Tray Bias Arm Assembly
17-8	99A0419	1	Spring, Tray Bias
17-9	99A0058	4	Pad, Base 500
17-10	99A0288	1	Sensor, Option Pass Thru
17-11	99A0895	1	Restraint, Side 500 Sheet Tray
17-12	99A0292	4	Wear Strips
17-13	99A0123	1	Indicator Assembly, Paper Size
17-14	99A0461	1	Label, Tray Number (2-5)
17-15	99A0457	1	Clip, 500 Tray Wear
17-16	99A0126	4	Finger, Autosize
17-17	99A0124	1	Plate, Snap-In
17-18	99A0418	1	Slider, Autosize 500
17-19	99A0120	2	Restraint Pad
17-20	99A0289	1	Tray, 500 Sheet
17-21	99A0896	1	Restraint, Back 500 Sheet Tray
17-22	99A0894	1	Latch, Back Restraint
17-23	99A0569	1	Cable Assembly Dual Tray Auto Connect
17-24	99A0277	1	Wear Plate, Pass Thru 500 Tray
17-25		2	Screw, Wear Plate Mounting PP 99A0263
17-26	99A0276	1	Roll Assembly, Drive 500 Dual
17-27	99A0450	1	Retainer, Roller
17-28	99A0451	1	Roller, Skewed Backup
17-29	99A0438	2	Bearing, Drive Roll
17-30	99A0447	1	Shaft, 500 Drive

Assembly 17: 500/500 Dual Tray (continued)

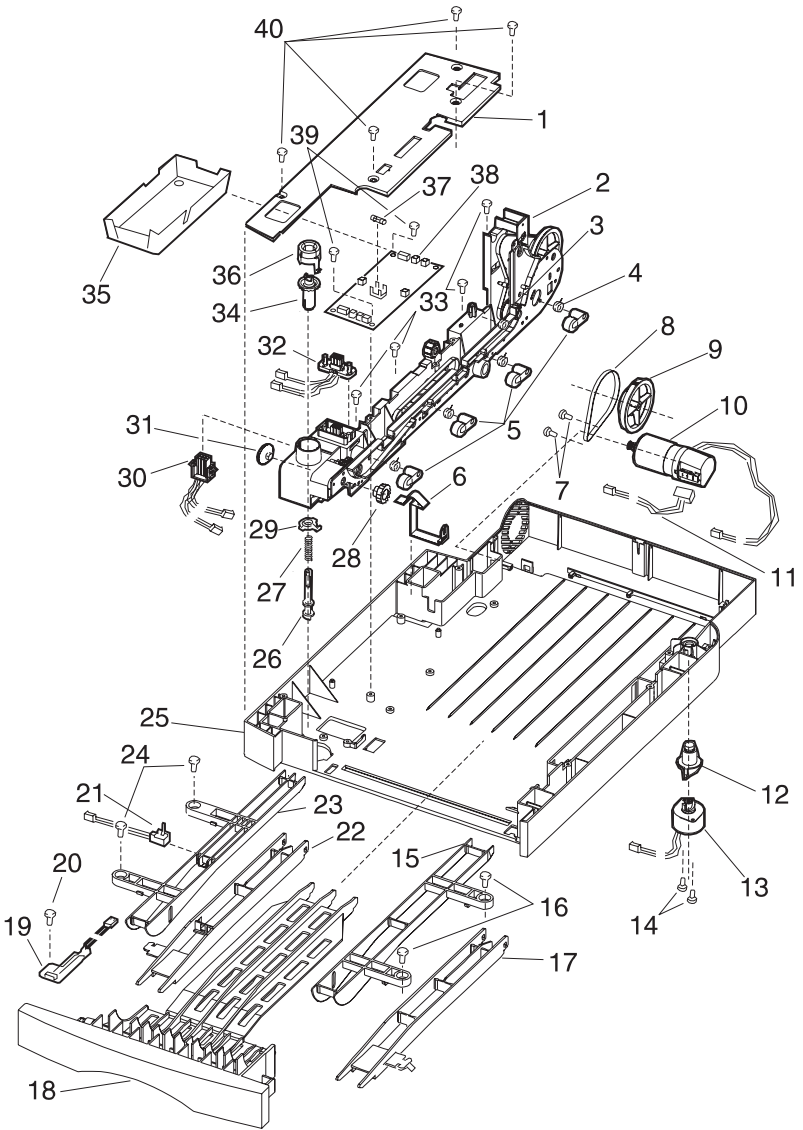


4059-XXX

Asm-Index	Part Number	Units	Description
17-31	99A0275	1	Spring, Power Takeoff
17-32	99A0280	1	Bearing, Drive Shaft Low
17-33	99A0446	1	Aligner Assembly, Paper
17-34		1	Retainer, Aligner Assembly PP 99A0267
17-35	99A0300	1	Board, Tray (Bottom)
17-36	99A0898	1	Cable, 500 Tray Board to Board Power
17-37	99A0274	1	Gear, Feed Roll
17-38	99A0286	1	Spring, Backup Roller
17-39	99A0472	1	Cable Assembly, 500/500 Dual
17-40	99A0278	1	Bellcrank, Roller Release
17-41	99A0273	1	Gear, Bevel
17-42	99A0063	1	Spring, Switch Activate
17-43	99A0279	1	Bearing, Drive Shaft
17-44	99A0281	1	Cable, 500 Auto Connect Top
17-45	99A0444	1	Stud Assembly, 500 Frame
17-46	99A0443	1	Arm, Paper Out 500
17-47	99A0284	1	Board, Tray (Top) 1250/1620/1650/2420/2450
17-47	99A0397	1	Board, Tray (Top) 1255/1625/1855/2455/3455
17-48		3	Screw, Board Mounting PP 99A0263
17-49	99A0460	2	Nut, Dual 500 Mounting
NS	99A0429	1	Label, Options Circle 1255/1625/1855/2455

4059-XXX

Assembly 18: Duplex

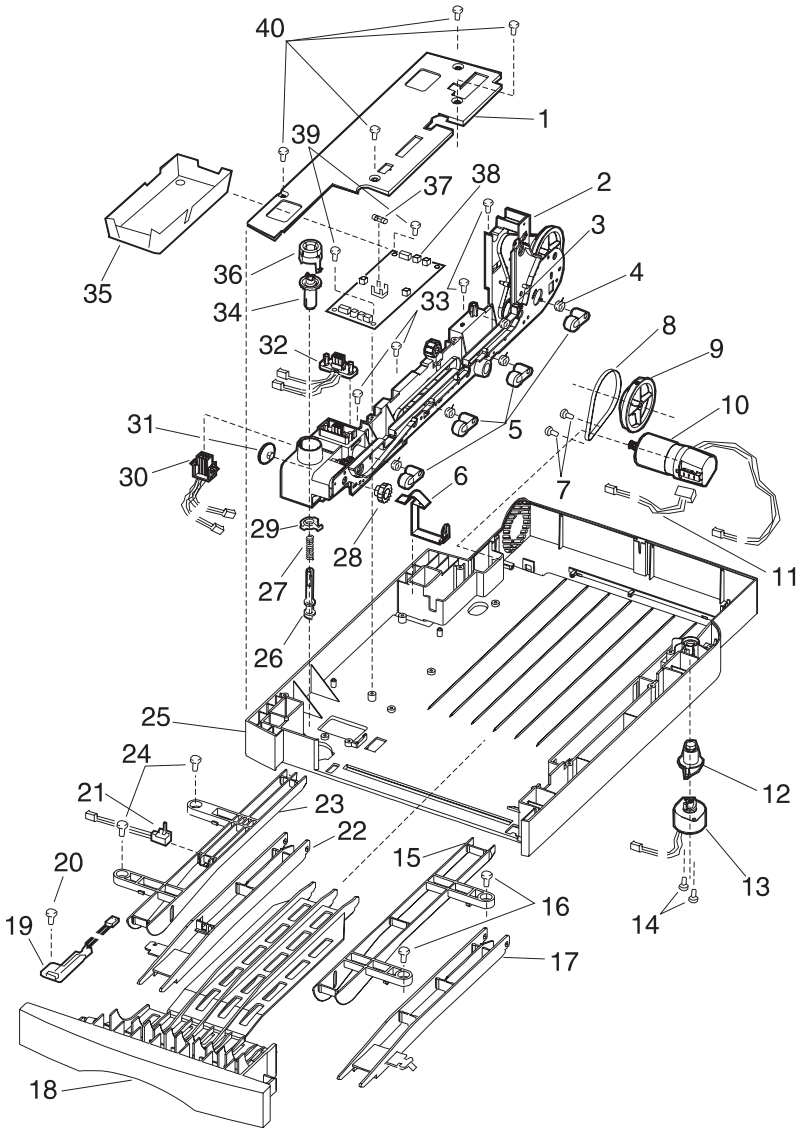


4059-XXX

Asm-Index	Part Number	Units	Description
18-1	99A0344	1	Cover, System Board
18-2	99A0322	1	Main Frame Assembly
18-3	99A0324	1	Idler Assembly, Belt Tension
18-4	99A0326	4	Spring, Aligner
18-5	99A0323	4	Guide Assembly, Paper
18-6	99A0314	2	Spring, Chassis Ground
18-7		2	Screw, Motor Mount 3 mm PP 99A0413
18-8	99A0328	1	Belt, Motor 114 Gear
18-9	99A0329	1	Pulley, Main Drive 96/54 Gear
18-10	99A0321	1	Motor Assembly
18-11	99A0320	1	Cable, D.C. Motor Tach
18-12		1	Cam Follower Assembly Kit PP 99A0299
18-13	99A0312	1	Actuator Assembly, Deflector
18-14		2	Screw, Actuator Assembly Mounting PP 99A0413
18-15	99A0339	1	Guide, Return RH Upper
18-16		2	Screw, Upper Return Guide Mounting PP 99A0413
18-17	99A0340	1	Guide, Return RH Lower
18-18	99A0345	1	Tray Assembly, Jam Removal
18-19	99A0261	1	Switch Assembly, Front Cover
NS	99A0432	1	Roll, Debuckle
NS	99A0428	1	Shaft, Debuckle
NS		2	Retainer 6 mm - Backup Roll PP 99A0404
NS		2	Screw, M3x6L:G Supradrive PP 99A0413

4059-XXX

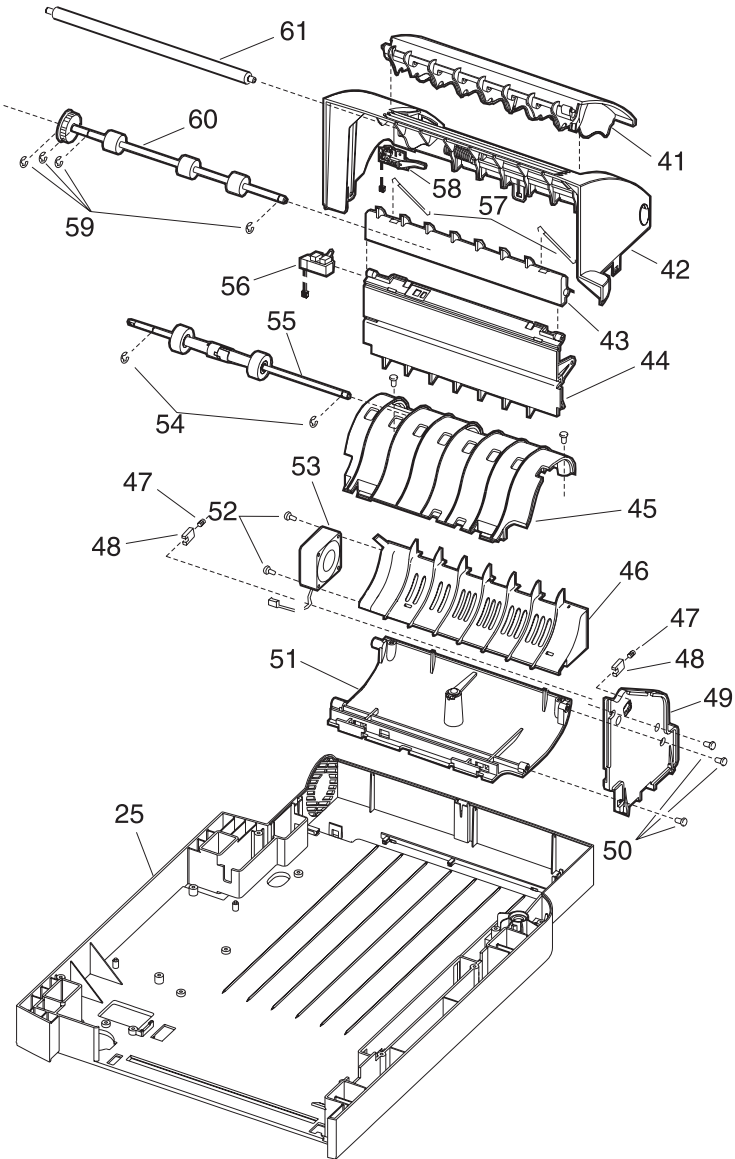
Assembly 18: Duplex (continued)



4059-XXX

Asm-Index	Part Number	Units	Description
18-20		1	Screw, Tray Open Switch Mounting PP 99A413
18-21	99A0341	1	Sensor, Exit - Optical
18-22	99A0342	1	Guide, LH Lower
18-23	99A0343	1	Guide, Return LH Upper
18-24		2	Screw, LH Upper Return Guide Mounting PP 99A0413
18-25	99A0306	1	Base Assembly, w/Tray Bias
18-26	99A0316	1	Shaft, Duplex Drive
18-27	99A0315	1	Spring, Duplex Shaft
18-28	99A0325	1	Gear, Pass Thru Idler
18-29	99A0280	1	Bearing, Drive Shaft Low
18-30	99A0311	1	Cable, Auto Connect Bottom
18-31	99A0274	1	Gear, Pass Thru Drive Roll
18-32	99A0310	1	Cable, Auto Connect Top
18-33		4	Screw, Main Frame Assembly Mounting PP 99A0413
18-34	99A0317	1	Gear, Duplex Bevel
18-35	99A0434	1	Pan, System Board Drip
18-36	99A0279	1	Bearing, Drive Shaft
18-37	99A0191	1	Fuse, .8A SB
18-38	99A0403	1	Board, System Level 1
18-38	99A0916	1	Board, System Level 2
NS	99A0956	1	Kit, Duplex Option Card Jumper
18-39		2	Screw, System Board Mounting PP 99A0413
18-40		4	Screw, System Board Cover PP 99A0413

Assembly 18: Duplex (continued)

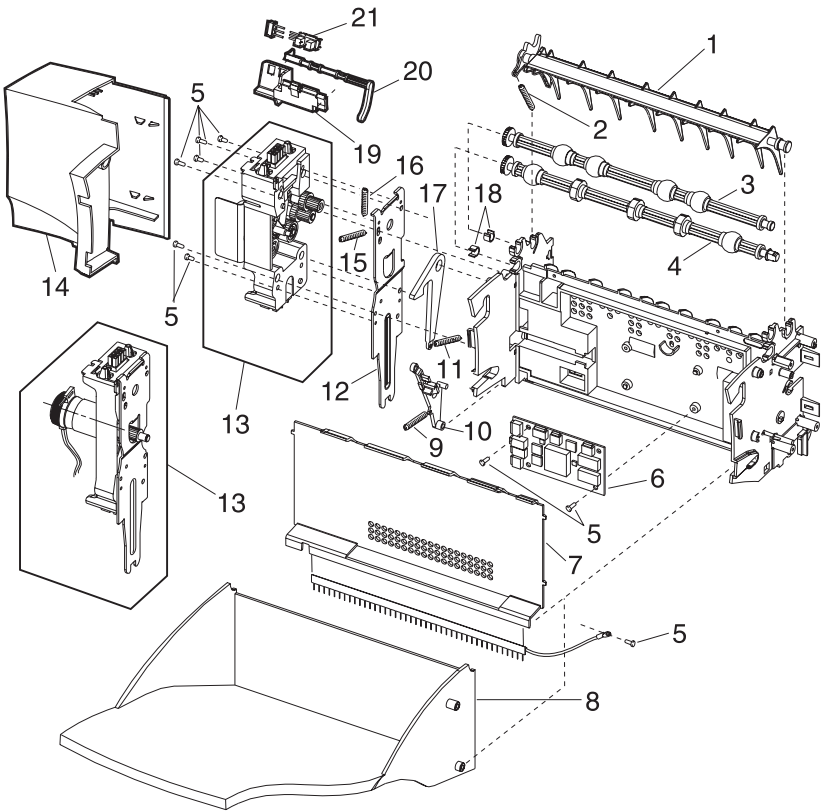


4059-XXX

Asm-Index	Part Number	Units	Description
18-41	99A0305	1	Top Cover Assembly, Movable
18-42	99A0303	1	Top Cover Assembly, Fixed
NS		1	Retainer, 6 mm Top Cover PP 99A0404
18-43	99A0435	1	Guide, Lower Entry
18-44	99A0338	1	Guide Assembly, Paper Decurl
18-45	99A0332	1	Guide, Center Drive Upper
18-46	99A0307	1	Air Plenum
18-47	99A0335	2	Spring, Decurl Shaft
18-48	99A0334	2	Bushing
18-49	99A0327	1	Frame, Outer
18-50		3	Screw, Outer Frame PP 99A0413
18-51	99A0330	1	Guide Assembly, Center Drive
18-52		1	Fan Mounting Kit PP 99A0269
		2	o Screw, Fan Mounting M4x30
		2	o Washer, Fan - M4
		2	o Nut, Fan - M4
18-53	99A0308	1	Fan, Cooling Duplex
18-54		2	Retainer, 5 mm Main Drive PP 99A0404
18-55	99A0337	1	Main Drive Assembly
18-56	99A0319	1	Sensor, Input Optical
18-57	99A0433	1	Spring, Decurl Shaft
18-58	99A0304	1	Switch Assembly, Top Cover Open
18-59		4	Retainer, 6 mm Drive Roll PP 99A0404
18-60	99A0336	1	Shaft Assembly, Drive
18-61	99A0333	1	Shaft Assembly, Decurl
NS		1	Screw, Tensioner PP 99A0413
NS		2	Retainer, 6 mm Clutch Roll PP 99A0404
NS	99A0058	4	Feet, Duplex Base
NS	99A0429	1	Label, Options Circle 1255/1625/1855/2455

4059-XXX

Assembly 19: Output Expander

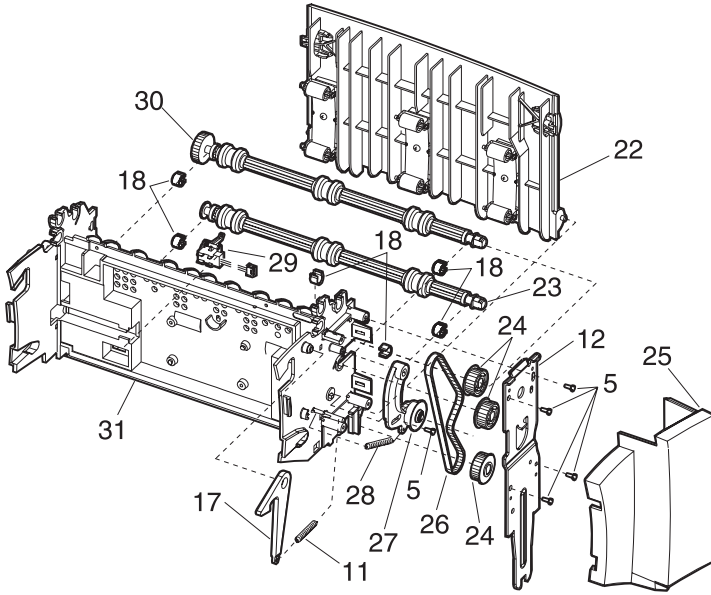


4059-XXX

Asm-Index	Part Number	Units	Description
19-1	99A0107	1	Diverter, Upper Also order 99A0104
19-2	99A0104	1	Spring, Upper Diverter
19-3	99A0369	1	Shaft Assembly, Exit Also order PP 99A0572
19-4	99A0052	1	Shaft Assembly, Lower Exit Also order PP 99A0572
19-5		11	Screw, PP 99A0263
19-6	99A0347	1	Board, Output Expander Level 1 1650/2420/2450
19-6	99A0406	1	Board, Output Expander Level 2 1855/2455/1650/2420/2450
19-6	99A0915	1	Board, Output Expander DC motor Level 3 1650/1855/2420/2450/2455/3455
19-7	99A0571	1	Cover, Front Control Board with ESD Brush
19-8	99A0483	1	Tray, Output Expander
19-9	99A0924	1	Spring, Diverter
19-10	99A0925	1	Diverter, Actuator Arm
19-11	99A0482	1	Spring, Output Tray
19-12	99A0366	2	Bracket, Attach
19-13	99A0480	1	Output Expander Assembly, Mechanical Linkage Level 1 1650/1855/2420/2450/2455
19-13	99A0914	1	Output Expander Assembly, Mechanical Linkage Level 2 1855/2455/3455
19-14	99A0372	1	Cover, Left Side
19-15	99A0415	2	Spring, Diverter
19-16	99A0416	1	Spring, Sector Bias
19-17	99A0481	1	Latch, Output Tray
19-18		2	Shaft Bearing PP 99A0572
19-19	99A0350	1	Sensor, Bin Full Level 1 1650/2420/2450
19-19	99A0414	1	Sensor, Dual Bin Full Level 2 1855/2455/3455
19-20	99A0378	1	Flag Kit, Output Paper Level

4059-XXX

Assembly 19: Output Expander (continued)

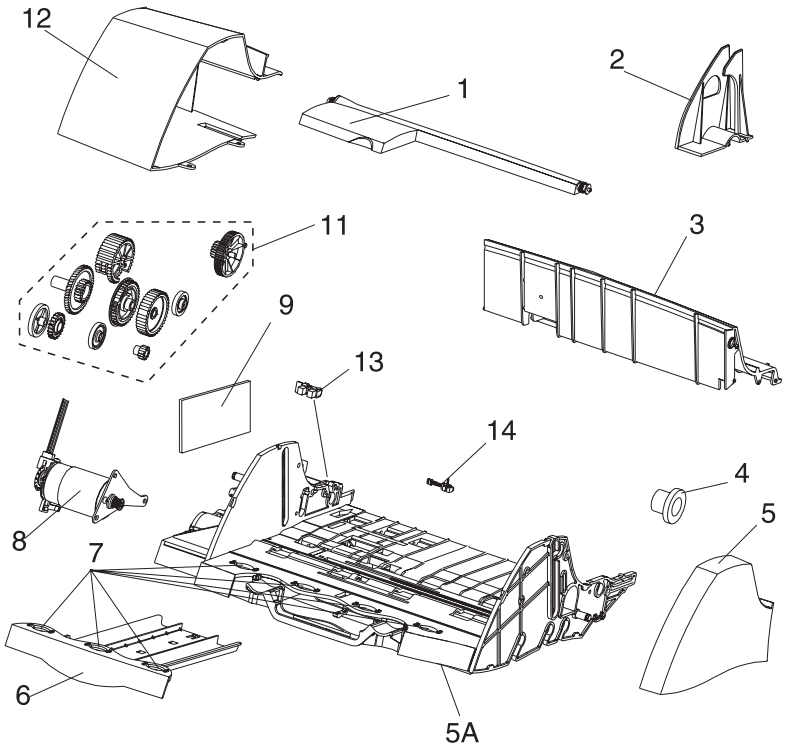


4059-XXX

Asm-Index	Part Number	Units	Description
19-21	99A0062	1	Level Sensor Bracket Level 1 1650/2420/2450
19-21	99A0409	1	Level Sensor Bracket Level 2 1855/2455/3455
19-22	99A0914	1	Output Expander Assembly, Mechanical Linkage
19-22	99A0374	1	Door Assembly, Rear Access
19-23	99A0368	1	Shaft Assembly, Lower Also order PP 99A0572
19-24	99A0363	3	Pulley, Drive
19-25	99A0371	1	Cover, Right Side
19-26	99A0361	1	Belt, 160 Gear
19-27	99A0362	1	Arm Assembly, Belt Idler
19-28	99A0364	1	Spring, Belt Tensioner
19-29	99A0351	1	Sensor, Output Expander Pass Thru
19-30	99A0370	1	Shaft Assembly, Middle Level 1 1650/1855/2420/2450/2455 Also order PP 99A0572
19-30	99A0913	1	Shaft Assembly, Middle 40T Level 2 3455 Also order PP 99A0572
19-31	99A0912	1	Frame Assembly, Output Expander Level 2 3455
NS	99A0429	1	Label, Options Circle 1855/2455/3455

4059-XXX

Assembly 20: Envelope Feeder

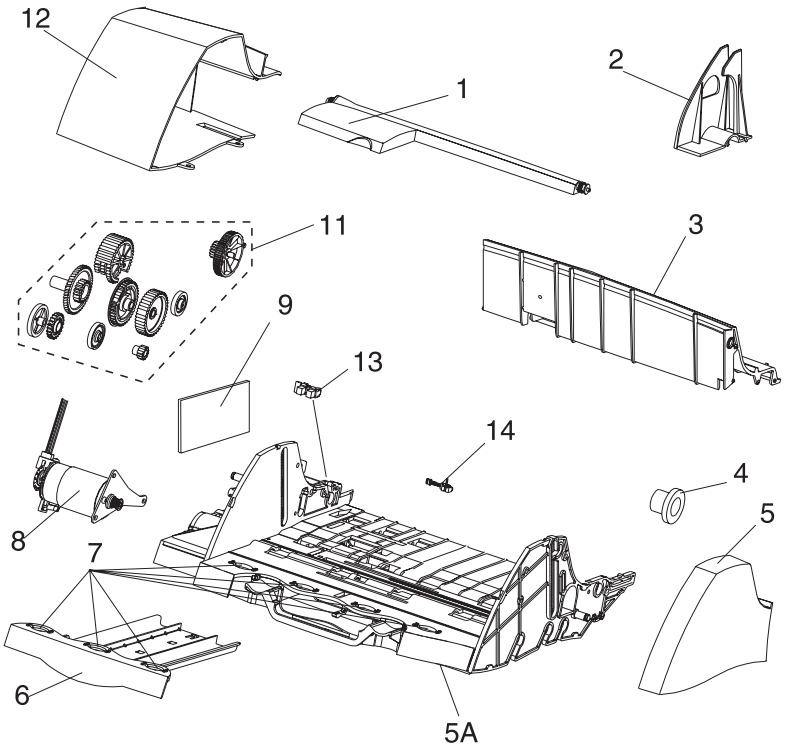


4059-XXX

Asm-Index	Part Number	Units	Description
20-1	99A0389	1	Paper Weight Assembly
20-2	99A0391	1	Guide, Edge
20-3	99A0379	1	Cover, Top
20-4	99A0393	1	Clutch, Restraint/Gear
20-5	99A0380	1	Cover, Right Side
20-5A	99A0407	1	Base Assembly
20-6	99A0390	1	Support, Slide Out
20-7	99A0488	7	Roller, Support
20-8	99A0382	1	Motor, Stepper D.C.
20-9	99A0383	1	Board Assembly, Electronic Control
20-9	99A0402	1	Board Assembly, Electronic Control 1855/2455/3455
NS		6	Screw, Top/Motor/Board
NS	99A0484	1	Belt, Gear Drive
NS	99A0491	1	Bracket, Stack Limiter
NS	99A0400	1	Spring, Restraint Roll Shaft
NS	99A0489	1	Spring, Latch Return
NS	99A0487	1	Flag, Envelope Out Sensor

4059-XXX

Assembly 20: Envelope Feeder (continued)

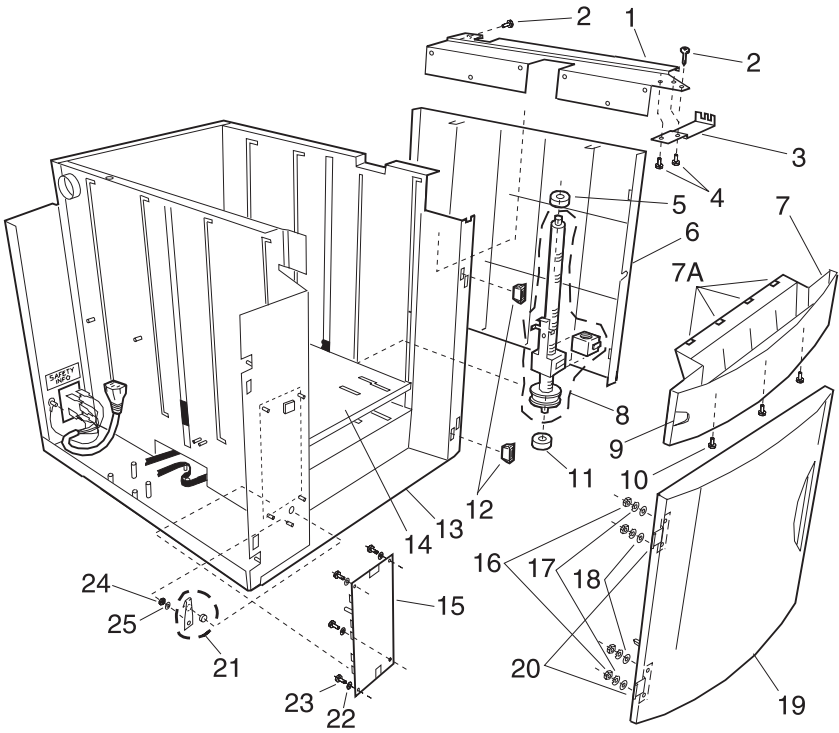


4059-XXX

Asm-Index	Part Number	Units	Description
20-11		1	Gear Kit, PP 99A0271
		1	o Gear, Feed
		1	o Gear, Master Cam
		1	o Gear, Drive Roll Shaft
		3	o Gear, Master/Feed Kick
		2	o Gear, Drive Idler
		1	o Gear, Comp Drive/Clutch
		1	o Gear, Kick Roll Connect
		1	o Gear, Kick CNCT Idler
		1	o Gear, Feed Shaft Right
		1	o Gear, Drive Idler Rear
20-12	99A0381	1	Cover, Left Side
20-13	99A0388	1	Switch, Envelope Out
20-14	99A0485	1	Sensor, Envelope Pass Thru
NS		1	Retainer, 4 mm PP 99A0404
NS		3	Retainer, Clip 5 mm Shaft PP 99A0404
NS		2	Retainer, 6 mm PP 99A0404
NS		3	Retainer, 7 mm Shaft PP 99A0404
NS	99A0384	1	Shaft, Drive Pressure Roller
NS	99A0385	1	Cable, Auto Connect Front
NS	99A0494	1	Spring, Cam Clutch
NS	99A0429	1	Label, Options Circle 1255/1625/1855/2455
NS	99A0427	1	Label, Envelope Orientation Icon 1255/1625/1855/2455
NS	99A0469	1	Deflector Guide

4059-XXX

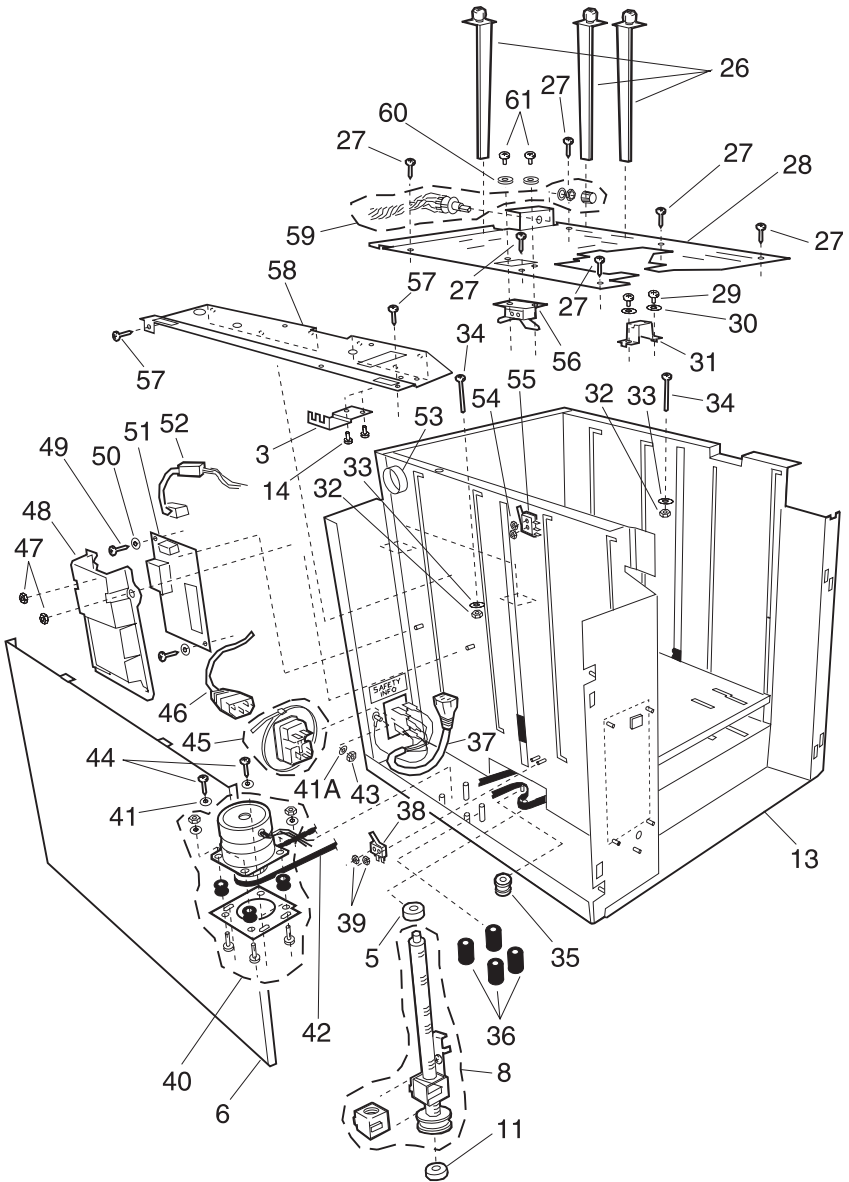
Assembly 21: High Capacity Feeder



4059-XXX

Asm-Index	Part Number	Units	Description
21-1	99A0660	1	Frame, Printer Support Frame 2
21-2		3	Screw, Printer Support 2 Frame Mounting PP 99A0675
NS		6	Washer, Printer Support Frame 2 Star PP 99A0677
NS		6	Nut, Printer Support Frame 2, 8-32 Hex PP 99A0676
21-3	99A0698	2	Clamp, Feed Frame
21-4		4	Screws, Feed Frame Clamp PP 99A0675
21-5	99A0691	2	Bearing, Nyloner Leadscrew Top
21-6	99A0656	1	Cover, Side
21-7	99A0680	1	Deflector Assembly Front
21-7A	99A0681	4	Strip, Wear
21-8	99A0662	2	Transfer Lead Screw Assembly
21-9	99A0461	1	Label, Tray Option Numbers
21-10		3	Screw, Deflector Mounting 8-18 x 7/8 inch PP 99A0675
21-11	99A0716	1	Bearing, Leadscrew Bottom
21-12	99A0658	2	Magnet, Door
21-13	99A0650	1	Frame Assembly
21-14	99A0661	1	Tray Assembly, Elevator
21-15	99A0671	1	Card Assembly, 2000 Option Control
21-16		4	Nut, 6-32 Hinge Mounting PP 99A0676
21-17		4	Washer, Hinge Mounting Flat PP 99A0677
NS	99A0690	1	Cable, Optical Sensor
21-18		4	Washer, Hinge Mounting Star PP 99A0677
21-19	99A0655	1	Door Assembly, Front
21-20	99A0657	2	Hinge, Door
21-21	99A0948	1	Kit, Door Switch Spring and Bumper
21-22		1	Washer, Door Switch Spring Mounting PP 99A0677
21-23		4	Screw, Card Assembly Mounting PP 99A0675

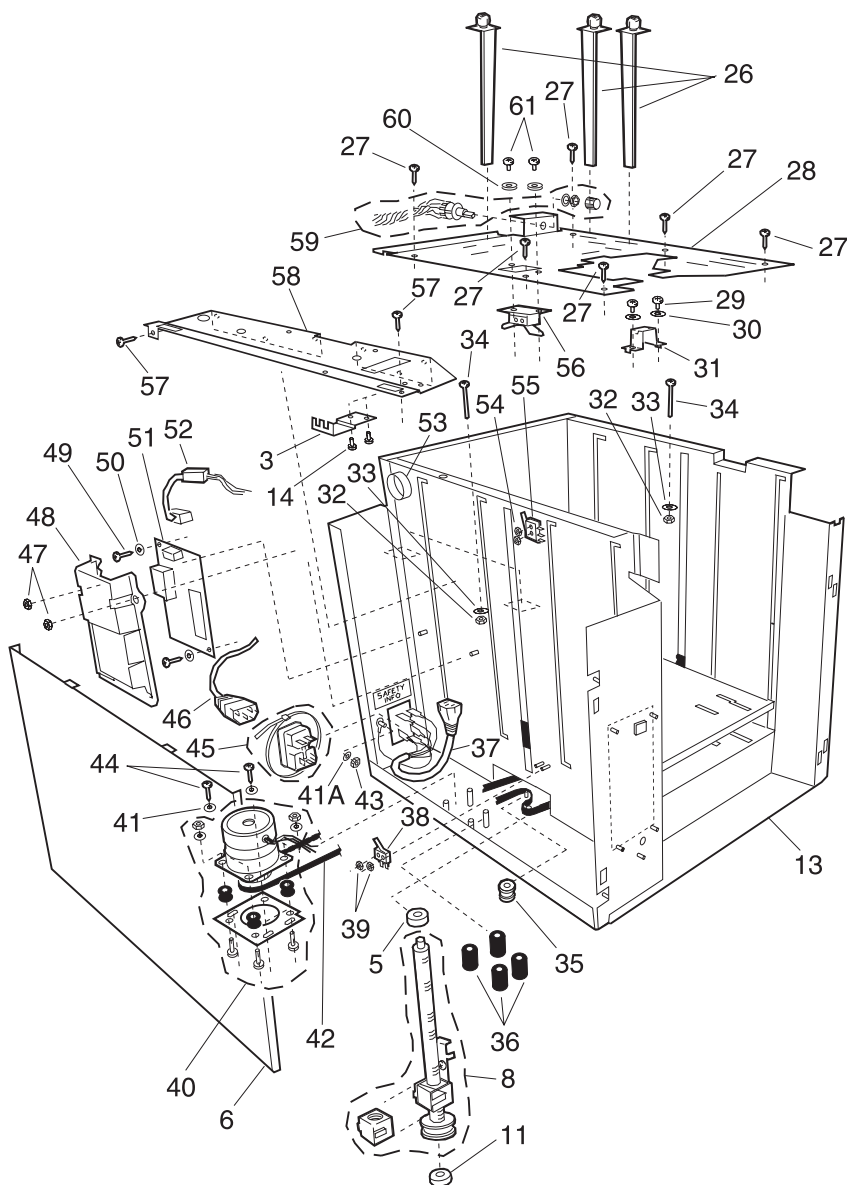
Assembly 21: High Capacity Feeder (continued)



4059-XXX

Asm-Index	Part Number	Units	Description
21-24		1	Nut, Door Switch Spring Mounting PP 99A0676
21-25		4	Washer, Card Assembly Mounting PP 99A0677
21-26	99A0686	3	Guide, Rear Paper with thumb screws Use with 99A0696
21-26	99A0188	3	Guide, Rear Paper with retainer arm Use with 99A0219
21-27		6	Screw, Top Frame Mounting PP 99A0675
21-28	99A0696	1	Frame Assembly, Top with labels
21-28	99A0219	1	Frame Assembly, Top with labels
21-29		2	Screw, Top Frame Clamp Mounting PP 99A0675
21-30		2	Washer, Top Frame Clamp PP 99A0677
21-31	99A0719	1	Clamp, Top Frame Mounting
21-32		2	Nut, Base Mounting PP 99A0676
21-33		2	Washer, Base Mounting PP 99A0677
21-34		2	Screw, Base Mounting PP 99A0675
21-35	99A0663	1	Pulley, Idler
21-36	99A0697	4	Spacer, Motor Mounting
21-37	99A0699	1	Cable, PS Internal Wiring
21-38	99A0653	1	Switch, Lower Limit Microswitch
21-39		2	Nut, 2-56 Lower Limit Switch Mounting PP 99A0676
21-40	99A0665	1	Motor Assembly
21-41		4	Washer, Motor Plate Mounting PP 99A0677
21-41A		2	Washer, Power Supply Ground PP 99A0677
21-42	99A0664	1	Belt, Drive
21-43		2	Nut, Power Supply Ground PP 99A0676
21-44		4	Screw, Motor Plate Mounting PP 99A0675
21-45	99A0669	1	Connector, Appliance Inlet with Tye Wrap
21-46	99A0670	1	Cord, AC External Jumper
21-47		2	Nut, Power Supply Cover PP 99A0676
21-48	99A0714	1	Cover, Power Supply
21-49		2	Screw, Power Supply Board Mounting PP 99A0675

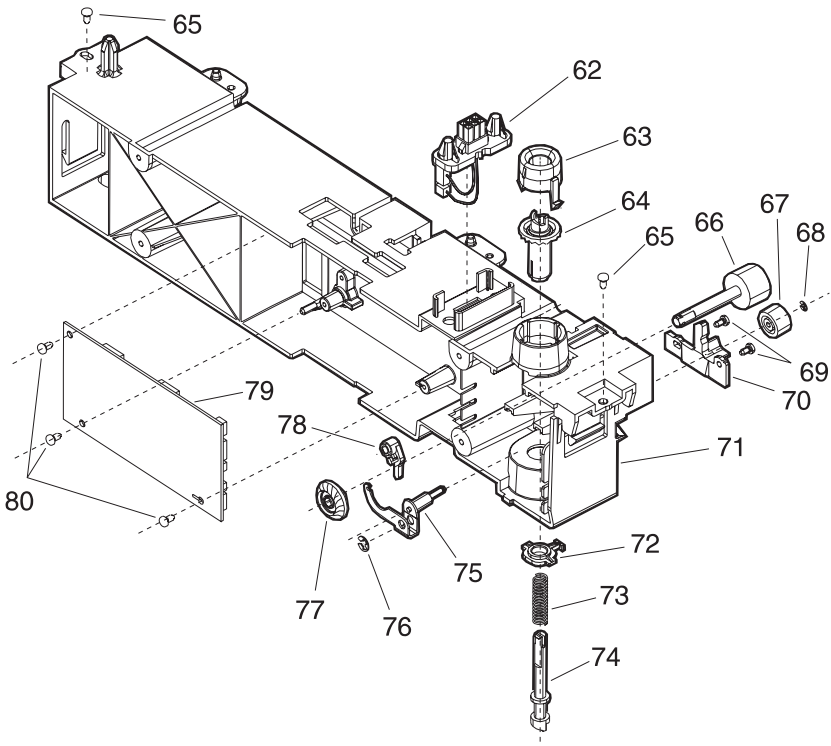
Assembly 21: High Capacity Feeder (continued)



4059-XXX

Asm-Index	Part Number	Units	Description
21-50		2	Washer, Power Supply Board PP 99A0677
21-51	99A0667	1	Power Supply Board
21-52	99A0715	1	Cable, Low Voltage Power Supply
NS	99A0682	1	Cable, HCIT-TOC Power
NS	99A0683	1	Cable, HCIT Power Passthru
NS	99A0684	1	Cable, HCIT-14Pin Flex
21-53	99A0685	1	Bushing
21-54		2	Nut, 2-56 Paper Low Switch Mounting PP 99A0676
21-55	99A0654	1	Switch, Paper Low
21-56	99A0651	1	Sensor Assembly, Paper Out/Upper Limit
21-57		3	Screw, Printer Support 1 Frame Mounting PP 99A0675
NS		6	Washer, Printer Support Frame 1 Star PP 99A0677
NS		6	Nut, Printer Support Frame 1 8-32 Hex PP 99A0676
NS		10	Screw, Door to Door Frame Mounting PP 99A0675
21-58	99A0659	1	Frame, Printer Support 1
21-59	99A0695	1	Parts Kit, Paper Size Switch Assembly including cable, switch, lockwasher, nut and knob
21-60		2	Washer, Sensor Bracket Mounting PP 99A0677
21-61		2	Screw, Sensor Bracket Mounting PP 99A0675

Assembly 21: High Capacity Feeder (continued)

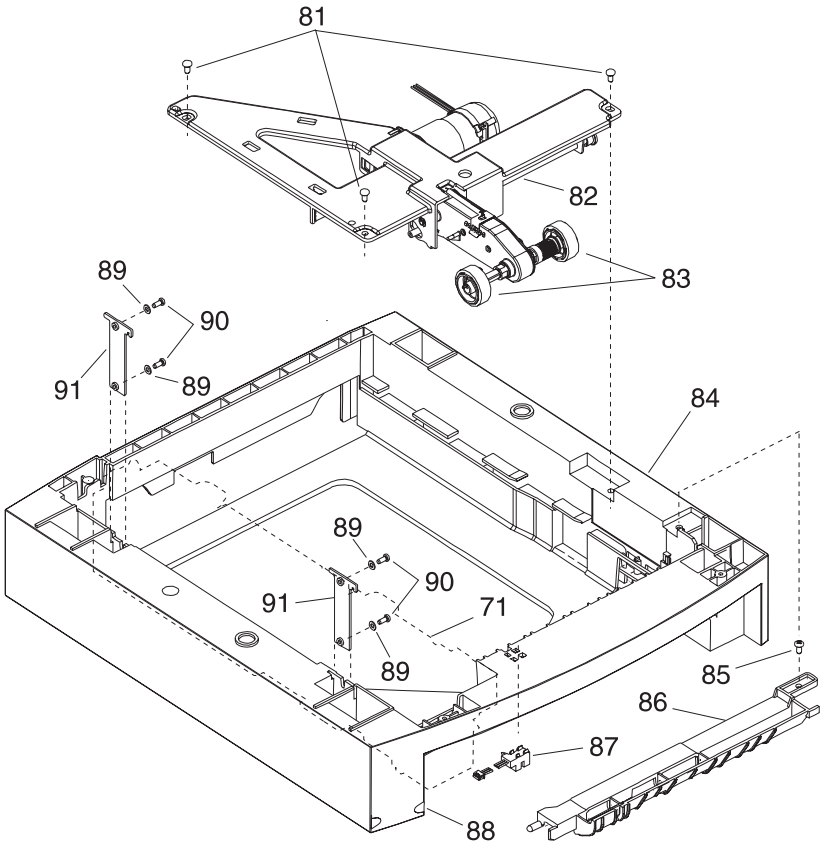


4059-XXX

Asm-Index	Part Number	Units	Description
21-62	99A0281	1	Cable, 250 Auto Connect
21-63	99A0279	1	Bearing, Drive Shaft
21-64	99A0273	1	Gear, Bevel
21-65		2	Screw, Frame Mounting PP 99A0263
21-66	99A0276	1	Roll Assembly, Drive 250 Option
21-67	99A0451	1	Roll, Skew Backup
21-68		1	Retainer, Roller PP 99A0267
21-69		2	Screw, Wear Plate Mounting PP 99A0675
21-70	99A0277	1	Plate Wear, Pass Thru
NS	99A0286	1	Spring, Backup Roller
21-71	99A0445	1	Stud Assembly, 250 Frame
21-72	99A0280	1	Bearing, Drive Shaft Low
21-73	99A0275	1	Spring, Power Takeoff
21-74	99A0272	1	Shaft, 250 Drive
21-75	99A0446	1	Aligner Assembly, Paper
21-76		1	Retainer, Aligner Assembly PP 99A0267
21-77	99A0274	1	Gear, Feed Roll
21-78	99A0278	1	Bellcrank, Roller Release
21-79	99A0688	1	Card Assembly, 2000 Tray Option
21-79	99A0401	1	Card Assembly, 2000 Tray Option 1255/1625/1855/2455/3455
21-80		3	Screw, 2000 Tray Option Card Mounting PP 99A0263
NS		4	Foot, Stabilizer PP 99A0672
NS		4	Mounting Feet PP 99A0687

4059-XXX

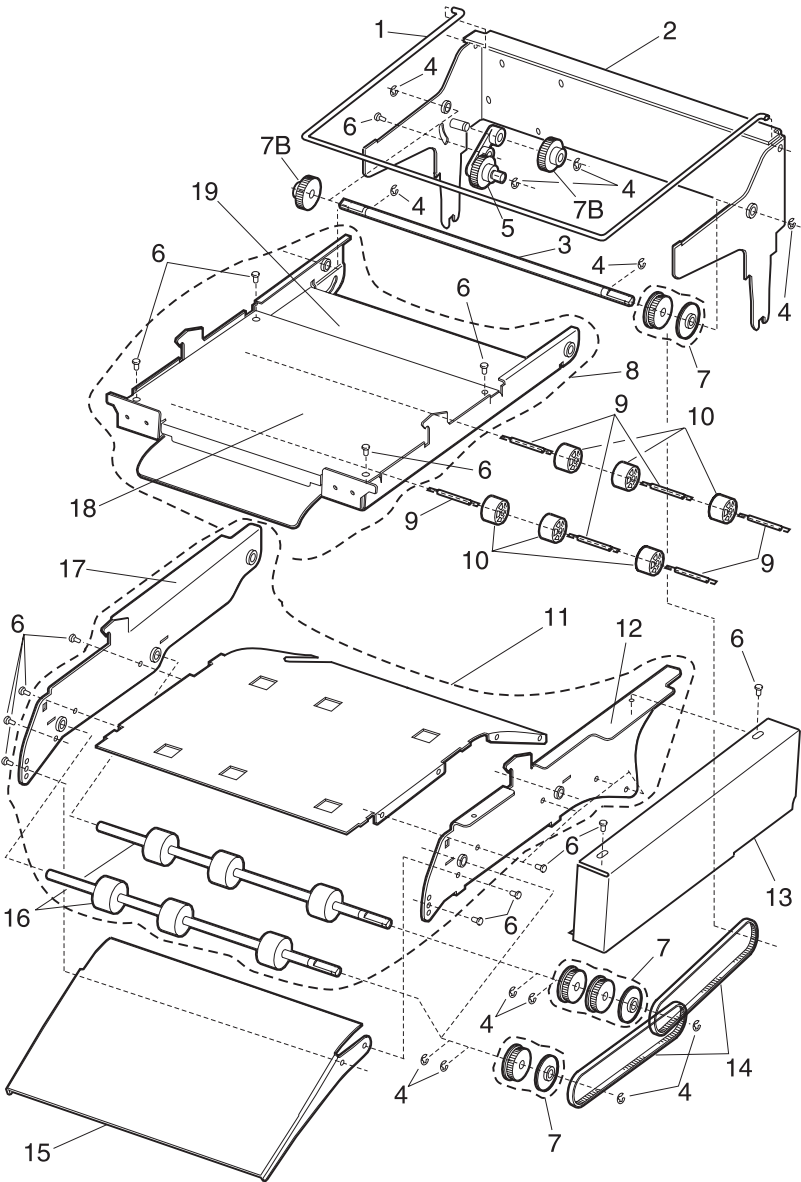
Assembly 21: High Capacity Feeder (continued)



4059-XXX

Asm-Index	Part Number	Units	Description
21-81		3	Screw, Auto Comp Assembly Mounting PP 99A0263
21-82	99A0674	1	Arm Assembly, Pick 2000
21-83	99A0070	2	Roll Assembly, Pick
21-84	99A0692	1	Base, 2000 Option
21-85		1	Screw, Deflector Mounting PP 99A0263
21-86	99A0678	1	Deflector, Base
21-87	99A0288	1	Sensor, Pass Thru
21-88	99A0461	1	Label, Tray Option Numbers
21-89		4	Washer, Bracket 250 Frame Retention Mounting PP 99A0677
21-90		4	Screw, Bracket 250 Frame Retention Mounting PP 99A0263
21-91	99A0679	2	Bracket, 250 Frame Retention
NS	99A0448	1	Arm, Paper Out 250 Sheet
NS	99A0429	1	Label, Options Circle 1255/1625/1855/2455

Assembly 22: Kiosk - Vertical Paper Adapter

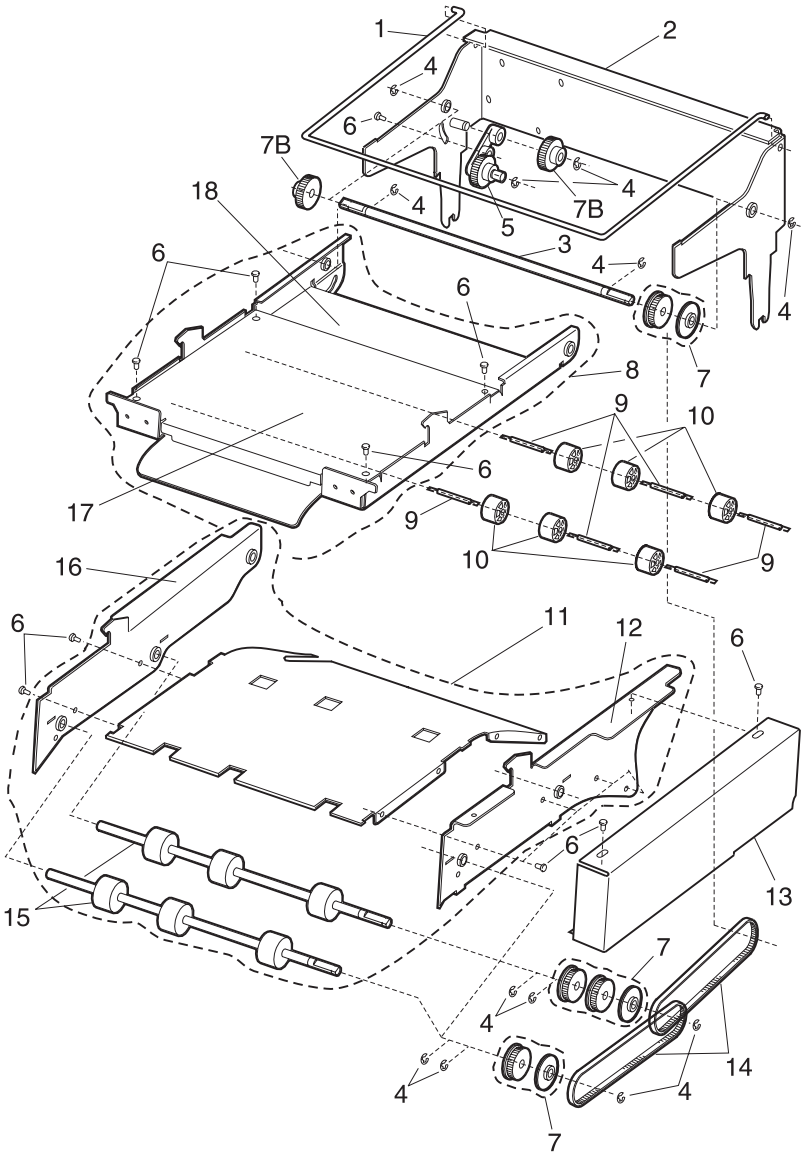


4059-XXX

Asm-Index	Part Number	Units	Description
22-1	99A0231	1	Bail, Support
22-2	99A0112	1	Mounting, Frame Assembly
22-3	99A0197	1	Shaft, Drive Rear
22-4		12	Retainer PP 99A0240
22-5	99A0209	1	Arm Assembly, Pivot
22-6		16	Screws PP 99A0234
22-7		7	Parts, Pulley PP 99A0208
22-7B		3	Gear, Idler PP 99A0237
22-8	99A0079	1	Tray Assembly, Backup Roller
22-9	99A0087	6	Spring, Backup Roller
22-10	99A0086	6	Roller, Backup
22-11	99A0116	1	Tray Assembly, Drive Roller
22-12	99A0125	1	Frame Assembly, Right Side
22-13	99A0232	1	Cover, Right
22-14	99A0217	2	Belt, 160G
22-15	99A0226	1	Guide, Paper Exit
22-16	99A0122	2	Shaft Assembly, Drive Roller
22-17	99A0137	1	Frame Assembly, Left Side
22-18	99A0088	1	Cover, Backup Tray
22-19	99A0085	1	Tray, Backup Roller

4059-XXX

Assembly 23: Kiosk - Horizontal Paper Adapter



4059-XXX

Asm-Index	Part Number	Units	Description
23-1	99A0231	1	Bail, Support
23-2	99A0112	1	Mounting, Frame Assembly
23-3	99A0197	1	Shaft, Drive Rear
23-4		12	Retainer PP 99A0240
23-5	99A0209	1	Arm Assembly, Pivot
23-6		15	Screws PP 99A0234
23-7		7	Parts, Pulley PP 99A0208
23-7B		3	Gear, Idler PP 99A0237
23-8	99A0079	1	Tray Assembly, Backup Roller
23-9	99A0087	6	Spring, Backup Roller
23-10	99A0086	6	Roller, Backup
23-11	99A0905	1	Tray Assembly, Drive Roller
23-12	99A0907	1	Frame Assembly, Right Side
23-13	99A0232	1	Cover, Right
23-14	99A0217	2	Belt, 160G
23-15	99A0122	2	Shaft Assembly, Drive Roller
23-16	99A0906	1	Frame Assembly, Left Side
23-17	99A0088	1	Cover, Backup Tray
23-18	99A0085	1	Tray, Backup Roller

Assembly 24: Options

Asm-Index	Part Number	Units	Description
24	1328589	1	2MB DRAM SIMM
24	99A0517	1	4MB DRAM SIMM
24	99A0518	1	8MB DRAM SIMM
24	99A0519	1	16MB DRAM SIMM
24	99A0520	1	32MB DRAM SIMM
24	99A0724	1	64MB EDO DRAM SIMM
24	99A0726	1	DBCS SIMM, Japan
24	99A0521	1	1MB Flash SIMM
24	99A0522	1	2MB Flash SIMM
24	99A0523	1	4MB Flash SIMM
24	99A0873	1	SIMM, Bar Code 3455
24	99A0420	1	Token-Ring Card
24	99A0421	1	10/100 Ethernet Card
24	99A0422	1	10Base2/10BaseT Card with T-connector
24	99A0560	1	Omni Bus INA Card
24	99A0424	1	IR Adapter
24	99A0515	1	Hard Disk, w/o Control Board 1250/1620/1650/2420/2450
24	99A0459	1	Hard Disk, w/o Control Board 2.1GB 1255/1625/1855/2455/3455
24	99A0516	1	Board, Hard Disk Control
24	99A0628	1	SIMM, IPDS Board 1250/1620/1650/2420/2450
24	99A0871	1	SIMM, IPDS Board 1255/1625/1855/2455/3455
24	99A0629	1	Adapter Card, SES for SCS
24	13A0296	1	Cable, Twinax
24	13A0297	1	Cable, Coax
24	99A0545	1	Adapter, Serial
24	13A0298	1	Cable, Serial
24	99A0467	1	Board, Parallel Port Adapter
24	99A0923	1	Board, USB/Parallel Port

4059-XXX

Assembly 24: Options (continued)

Asm-Index	Part Number	Units	Description
24	99A0911	1	Tray Assembly, 250 Special Media
24	99A0910	1	Cartridge, 4059 Shipping (2)
24	99A0909	1	Cartridge, 4059 Shipping (1)
24	99A0863	1	Hopper, Integrated Label/Letter
24	99A0864	1	Hopper, Integrated Label/Letter Stacker
24	99A0865	1	Hopper, Legal Label Stacker
24	99A0799	1	Drive, Forms HD 2.1GB
24	99A0417	1	Kit, Cap/Stack Bails 250
24	99A0920	1	Kit, Cap/Stack Bails 500
24	99A0945	1	Kit, Paper Stacking Arm

Assembly 25: Miscellaneous

Asm-Index	Part Number	Units	Description
25	99A0263	1	Parts Packet, Screws
25	99A0585	1	Parts Packet, Contact Kit
25	99A0267	1	Parts Packet, Retainers
25	99A0268	1	Parts Packet, Springs Paper Feed
25	99A0269	1	Parts Packet, Duplex Option Fan Mounting
25	99A0299	1	Parts Packet, Duplex Option Cam Follower Assembly
25	99A0271	1	Parts Packet, Envelope Option Gears
25	99A0404	1	Parts Packet, Retainers Envelope Option
25	99A0413	1	Parts Packet, Screws Duplex
25	99A0572	1	Parts Packet, 500 Sheet Feeder Option Shaft Bearings
25	99A0577	1	Parts Packet, Cable Ties (10 each)
25	99A0675	1	Parts Packet, Screws High Capacity Feeder
25	99A0676	1	Parts Packet, Nuts High Capacity Feeder
25	99A0677	1	Parts Packet, Washers High Capacity Feeder
25	99A0083	1	Parts Kit, Multipurpose Tray
25	99A0512	1	Parts Kit, Charge Roll Link Asm, Left Side
25	99A0513	1	Parts Kit, Charge Roll Link Asm, Right Side
25	99A0186	1	Parts Kit, Erase Lamp/Lens
25	99A0702	2	Printer Stand Caster, Non Locking
25	99A0703	2	Printer Stand Caster, Locking
25	99A0704	1	Printer Stand Grommet, Wire
25	99A0705	2	Printer Stand Lock, Cam
25	99A0706	1	Printer Stand Storage Shelf
25	99A0707	1	Printer Stand Door Assembly, Cabinet
25	99A0710	1	Printer Stand Filler, Rear Top Piece
25	99A0711	1	Printer Stand Table Assembly, Large
25	99A0712	1	Printer Stand Table Assembly, Small