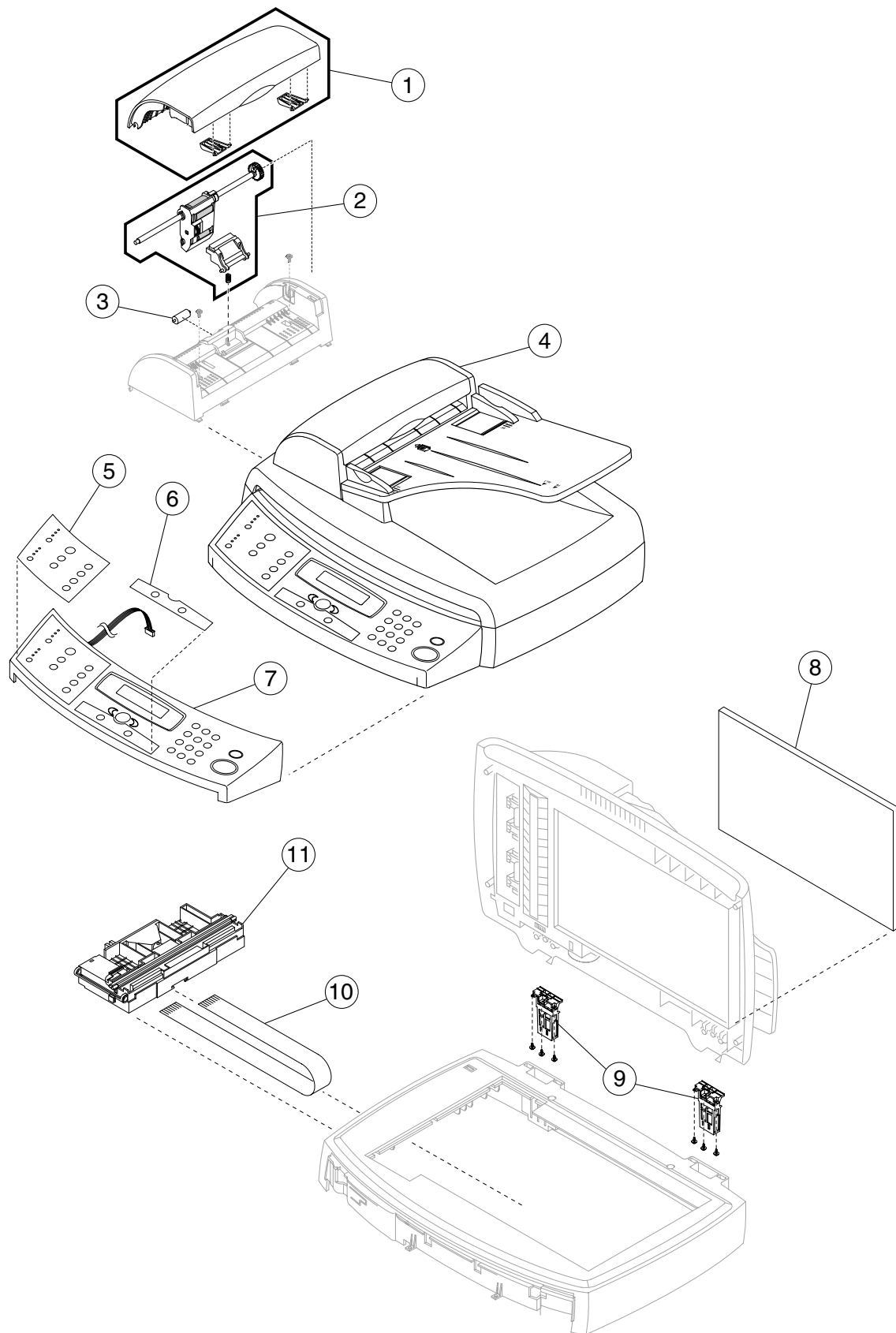


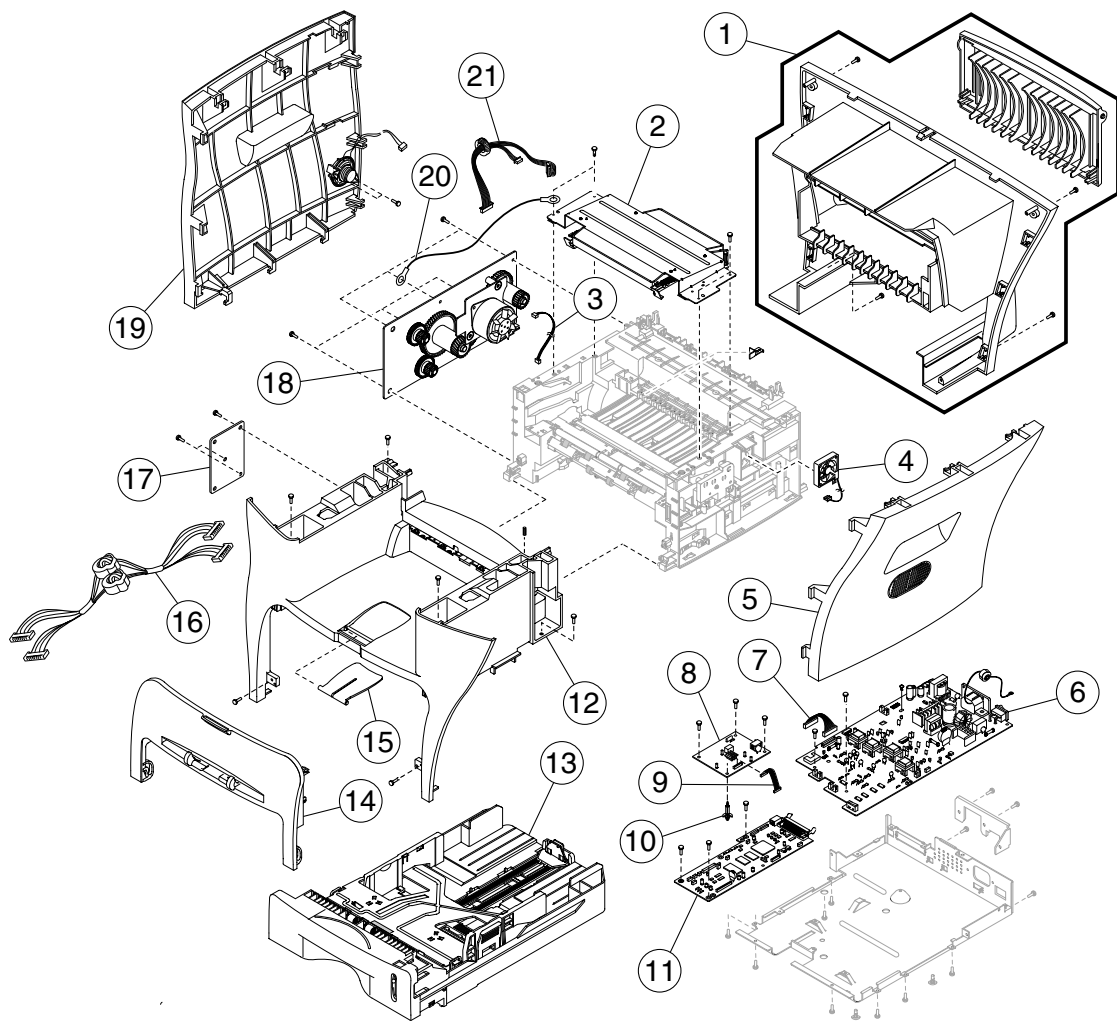
Assembly 1: Scanner assembly



Assembly 1: Scanner assembly

Index	P/N	Units	Description
1—1	56P1931	1	Cover asm, ADF access
2	56P1923	1	Kit asm, ADF pick roll/pad
3	56P1922	1	Roller, ADF idler
4	56P1983	1	Scanner, complete
5	56P1936	1	Overlay, main
6	56P1935	1	Overlay, menu/select/return
7	56P1934	1	Panel asm, operator
8	56P1932	1	Cushion, document cover
9	56P1933	2	Hinge, document cover
10	56P1941	1	Cable, CCD
11	56P1940	1	Module asm, CCD

Assembly 2: Main assembly

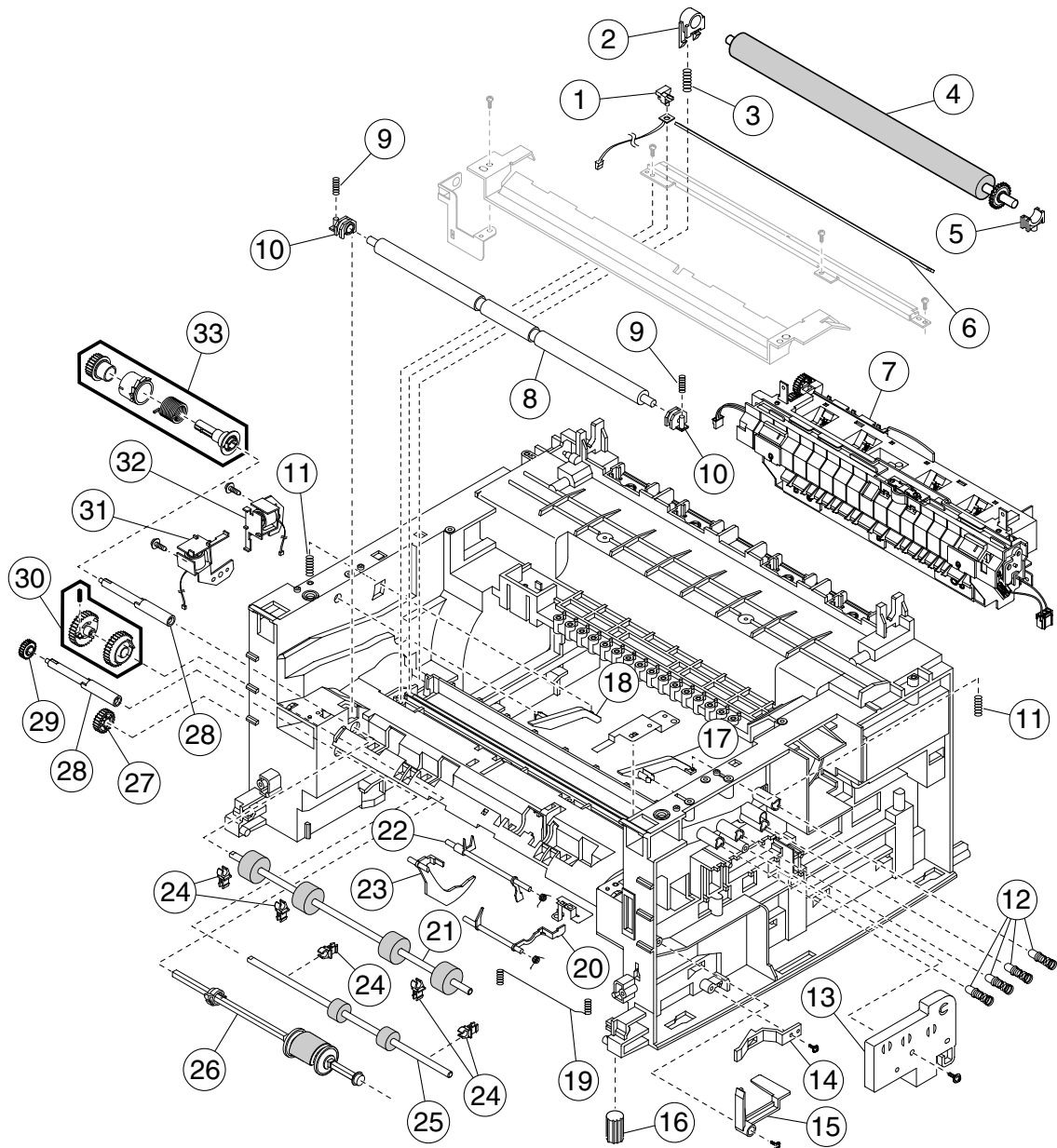


Assembly 2: Main assembly

Index	P/N	Units	Description
2-1	56P1914	1	Cover asm, rear
2	56P1902	1	Printhead, complete
3	56P1916	1	Cable, main drive motor
4	56P1915	1	Fan, cooling
5	56P1913	1	Cover, right
6	56P1904	1	Card asm, LVPS/HVPS - 110 V
6	56P1905	1	Card asm, LVPS/HVPS - 220 V
6	56P2028	1	Card asm, LVPS/HVPS - 240 V
7	56P1906	1	Cable, system to power supply
8	56P1918	1	Card asm, modem (Americas)
8	56P1986	1	Card asm, modem (West Europe)
8	56P1987	1	Card asm, modem (S. Africa)
8	56P1988	1	Card asm, modem (Asia)
8	56P1989	1	Card asm, modem (Australia)
9	56P1984	1	Cable, modem card to system
10	56P1919	1	Standoff, modem card
11	*56P2416	1	Card asm, system
12	56P1908	1	Cover asm, middle
13	56P1911	1	Tray asm, paper
14	56P1910	1	Cover asm, cartridge access
15	56P1909	1	Extender, output bin
16	*56P2418	1	Cable, scanner to system
17	*56P2417	1	Card asm, scanner
18	56P1901	1	Drive asm, main
19	56P1912	1	Cover, left, w/speaker
20	56P1985	1	Cable, main drive ground
21	56P1903	1	Cable, printhead

* **Note:** Whenever a part is replaced in a machine with serial number below S8374290, all three parts must be replaced at the same time.

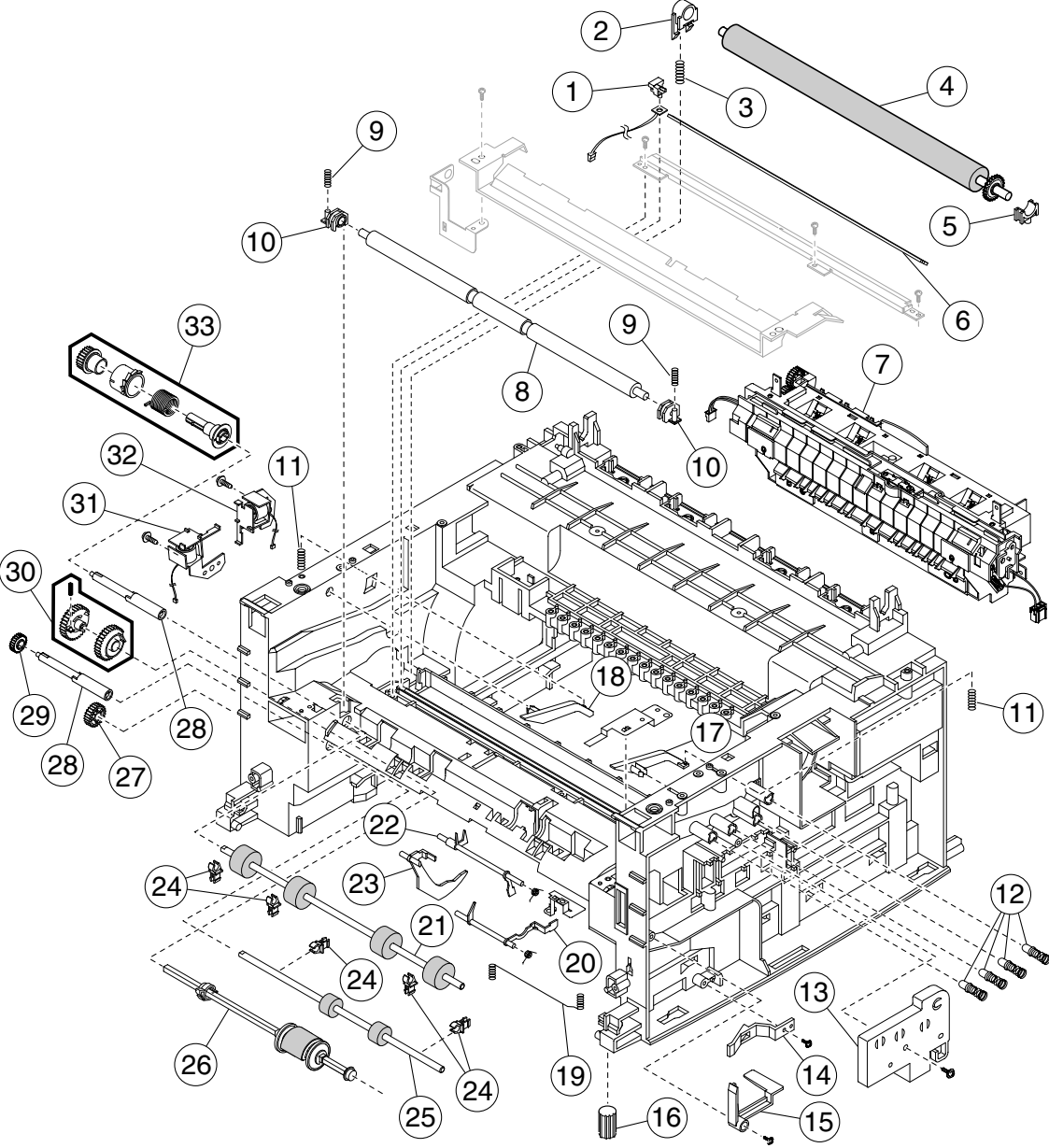
Assembly 3: Frame assembly



Assembly 3: Frame assembly

Index	P/N	Units	Description
3-1	56P1963	1	LED, pre-transfer
2	56P1965	1	Bearing, left transfer roller
3	56P1966	1	Spring, transfer roll bearing
4	56P1917	1	Roller asm, transfer
5	56P1967	1	Bearing, right transfer roller
6	56P1964	1	Lens, pre-transfer LED
7	56P1979	1	Fuser, complete, 110 V
7	56P1980	1	Fuser, complete, 220 V
7	56P1990	1	Fuser, complete, 240 V
8	56P1968	1	Roller, registration
9	56P1970	2	Spring, registration roller
10	56P1969	2	Bearing, registration roller
11	56P1953	2	Spring, cartridge latch
12	56P1948	4	Contact, high voltage
13	56P1949	1	Cover, HV contact
14	56P1950	1	Latch, paper tray
15	56P1951	1	Actuator, cover open
16	56P1947	2	Foot, rubber
17	56P1952	1	Latch, right cartridge
18	56P1954	1	Latch, left cartridge
19	56P1958	1	Contact, transfer roll
20	56P1957	1	Actuator, manual paper feed
21	56P1959	1	Roller, main paper feed
22	56P1955	1	Actuator, paper feed
23	56P1956	1	Actuator, paper empty
24	56P1960	5	Bearing, feed roller
25	56P1961	1	Roller, paper tray feed
26	56P1962	1	Roller asm, paper tray pick
27	56P1978	1	Gear, roller idler
28	56P1976	2	Coupling, shaft
29	56P1977	1	Gear, registration roller
30	56P1973	1	Gear asm, pick roll
31	56P1972	1	Solenoid, main paper feed
32	56P1971	1	Solenoid, paper tray pick roll

Assembly 3 (cont.): Frame assembly



Assembly 3 (cont.): Frame assembly

Index	P/N	Units	Description
33	56P1975	1	Clutch asm, main paper feed
NS	1339526	1	Line cord, US, Canada, Mexico, Costa Rica, Guatemala, Panama, Puerto Rico, Honduras, Nicaragua, El Salvador, Dominican Republic
NS	1339527	1	Line cord, Australia, New Zealand
NS	1339528	1	Line cord, Hong Kong, Malaysia, Singapore, Ireland, UK
NS	1339529	1	Line cord, Austria, Belgium, Czech/Slav, Finland, France, Germany, Greece, Hungary, Iceland, Italy, Luxembourg, Netherlands/Holland, Norway, Poland, Portugal, Russia, Spain, Sweden, Turkey, Brazil (HV) Paraguay
NS	1339531	1	Line cord, Switzerland
NS	1339532	1	Line cord, Sri Lanka, South Africa
NS	1339533	1	Line cord, Chile, Uruguay
NS	1339534	1	Line cord, Denmark
NS	1339544	1	Line cord, Argentina
NS	1339548	1	Line cord, Brazil (LV)
NS	43H5545	1	Line cord, China
NS	7372151	1	Packaging, field relocation

4038-001