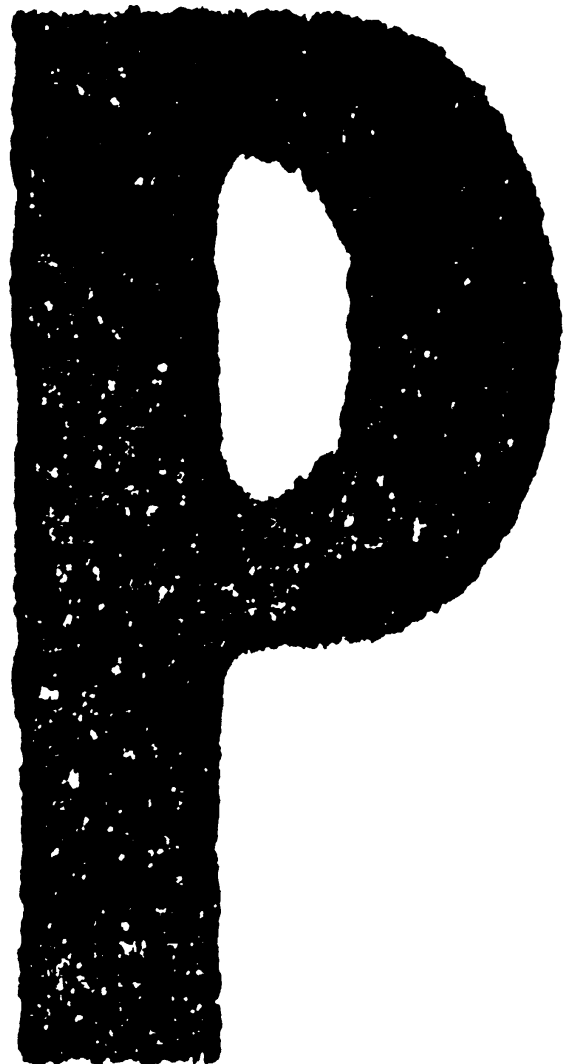


# SERVICE PARTS LIST

MULTIFUNCTIONAL DIGITAL SYSTEMS  
**e-STUDIO555/655/755/855**



© 2009 TOSHIBA TEC CORPORATION All rights reserved

Under the copyright laws, this manual cannot be reproduced in any form without prior written permission of TOSHIBA TEC CORPORATION. No patent liability is assumed, however, with respect to the use of the information contained herein.

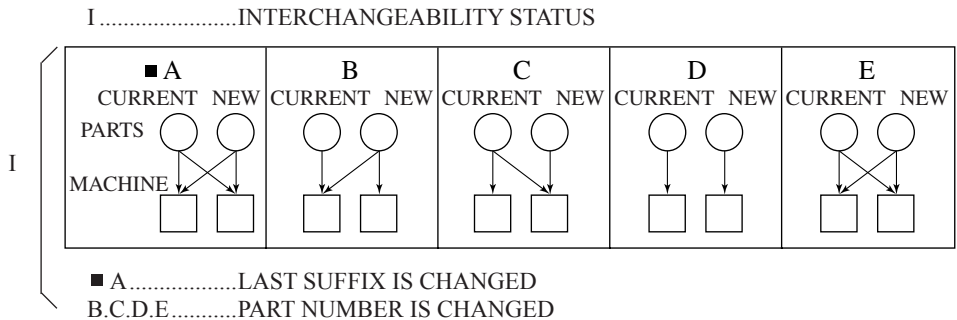
# EXPLANATION OF SERVICE-PARTS LIST

## 1. HOW TO READ THE PARTS LIST

- (1) Number of pieces  
The number of pieces in the list denotes total pieces used per unit. But the numbers in the list for PACKING MATERIAL and ACCESSORY denote total pieces used per machine.
- (2) One pack of screws in the list includes 50 pieces.
- (3) ABBREVIATED CODES

QTY/PAC	{	QTY.....one piece
		PAC.....one pack
		1/P.....one piece packed in polyethylene bag
		1/S.....one piece packed in special pack
		1/C.....one piece packed in carton box
		1/PP.....one piece packed in paper and polyethylene bag
		1/KP.....one piece packed in polyethylene bag with cardboard
		1/D.....one piece packed in polyethylene-cushion bag
		1/SB.....one piece packed in shielding bag
N/A.....not available		

P	{	P.....PURPOSE
		A.....ADD
		B.....DELETE
		C.....CHANGE
		D.....QTY, CHANGE
		E.....MISENTRY
		F.....OMISSION



## 2. HOW TO PLACE ORDER FOR PARTS

- (1) The parts handled as service parts are only those with their "Q'TY/PACK" column listed with a quantity other than "N/A\*\*\*\*" or "SUPPLY".  
Those parts with "N/A\*\*\*\*" are listed only for the purpose of showing the mechanical construction, those listed with "SUPPLY" are handled only as a sales item, and therefore both types of parts are not supplied as service parts.
- (2) Orders for any parts which form a component of a semi-assembled unit are not acceptable.  
Note: All the screws and nuts used are ISO standard.

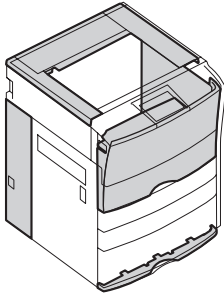
## 3. REGION

NAD.....115V	50/60Hz, NORTH AMERICA, SOUTH AMERICA
TWD.....110/220V	50/60Hz, TAIWAN
SAD.....127V/60Hz, SAUDI ARABIA	
ASD.....220-240V	50/60Hz, ASIA, SOUTH AMERICA, etc.
ASU.....220-240V	50/60Hz, ASIA, etc.
AUD.....220-240V	50/60Hz, AUSTRALIA
MJD.....220-240V	50/60Hz, EUROPE
CND.....220-240V	50/60Hz, CHINA
KRD.....220-240V	50/60Hz, KOREA

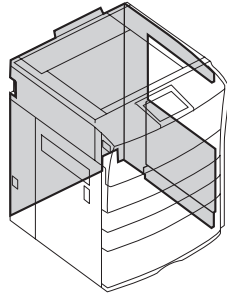
# CONTENTS

COVER-1-ASM .....	1	DEVELOPER-1-ASM .....	43
COVER-2-ASM .....	2	DEVELOPER-2-ASM .....	44
CONTROL-PANEL-ASM .....	3	TONNER-DRIVE-ASM .....	45
LOWER-FRAME-ASM .....	4	USED-TONER/AUGER-ASM .....	46
UPPER-FRAME-ASM .....	5	RECYCLE/AUGER-ASM .....	47
FEED-DRIVE-ASM .....	6	CLEANER-1-ASM .....	48
PAPER-FEED-ASM .....	7	CLEANER-2-ASM .....	49
TANDEM-LCF-1-ASM .....	8	CLEANER-3-ASM .....	50
TANDEM-LCF-2-ASM .....	9	DARWER-ASM .....	51
MANUAL-FEED-DRIVE-1-ASM .....	10	ELECTRIC-ASM .....	52
MANUAL-FEED-DRIVE-2-ASM .....	11	LGC-ASM .....	53
MANUAL-TRAY-ASM .....	12	SYS-ASM .....	54
REVERSE-DRIVE-ASM .....	13	HARNESS-SYS .....	71
REVERSE-OPEN-GUIDE-1-ASM .....	14	HARNESS-LGC-1 .....	72
REVERSE-OPEN-GUIDE-2-ASM .....	15	HARNESS-LGC-2 .....	73
ALIGNING-ROLLER-ASM .....	16	HARNESS-PLG/PS/RADF .....	74
TRANSPORT-ROLLER-ASM .....	17	RADF-FEED-1-ASM .....	81
TRANSPORT-BELT-DRIVE-1-ASM .....	18	RADF-FEED-2-ASM .....	82
TRANSPORT-BELT-DRIVE-2-ASM .....	19	RADF-FEED-3-ASM .....	83
TRANSPORT-BELT-GUIDE-1-ASM .....	20	RADF-FEED-4-ASM .....	84
TRANSPORT-BELT-GUIDE-2-ASM .....	21	RADF-FEED-5-ASM .....	85
TRANSPORT-BELT-CASE-1-ASM .....	22	RADF-FEED-6-ASM .....	86
TRANSPORT-BELT-CASE-2-ASM .....	23	RADF-FEED-DRIVE-ASM .....	87
FUSER-DRIVE-ASM .....	24	RADF-HINGE-ASM .....	88
FUSER-1-ASM .....	25	RADF-REAR-FRAME-ASM .....	89
FUSER-2-ASM .....	26	RADF-COVER-ASM .....	90
FUSER-3-ASM .....	27	RADF-GUIDE-OPEN-ASM .....	91
FUSER-4-ASM .....	28	RADF-PLATEN-ASM .....	92
FRONT-FRAME-ASM .....	29	RADF-TRAY-ASM .....	93
REAR-FRAME-1-ASM .....	30	JIGS & GREASE .....	201
REAR-FRAME-2-ASM .....	31	DOWNLOAD JIGS .....	202
LASER-OPT-ASM .....	32	SUPPLIES .....	203
DUCT-ASM .....	33	REPLACE UNIT .....	204
OPTICAL-FRAME-ASM .....	34	PM-KIT .....	205
OPTICAL-DRIVE-ASM .....	35		
CRG-1-ASM .....	36		
CRG-2-ASM .....	37		
OPTICAL-ELECTRIC-ASM .....	38		
CHARGER-DRIVE-ASM .....	39		
MAIN-CHARGER-ASM .....	40		
DRUM/DRUM-DRIVE ASM .....	41		
DEV DRIVE/STAY-ASM .....	42		

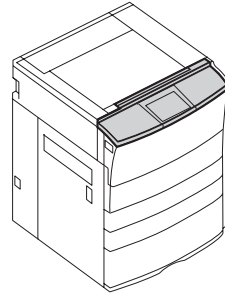
1. COVER-1-ASM



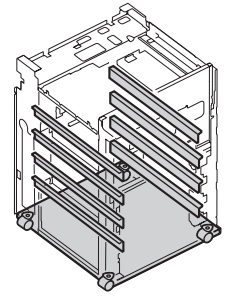
2. COVER-2-ASM



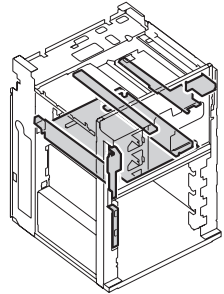
3. CONTROL-PANEL-ASM



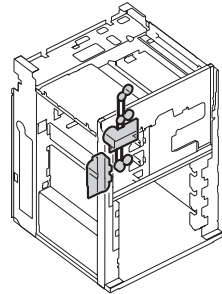
4. LOWER-FRAME-ASM



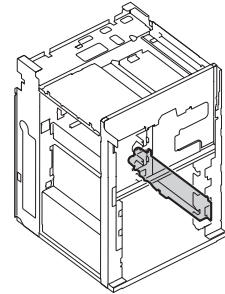
5. UPPER-FRAME-ASM



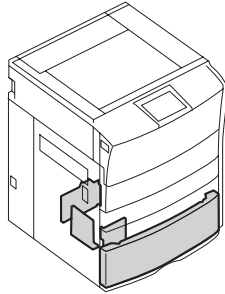
6. FEED-DRIVE-ASM



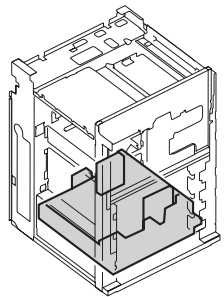
7. PAPER-FEED-ASM



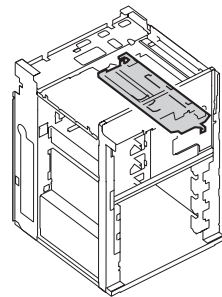
8. TANDEM-LCF-1-ASM



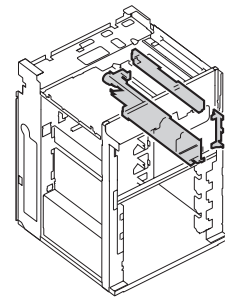
9. TANDEM-LCF-2-ASM



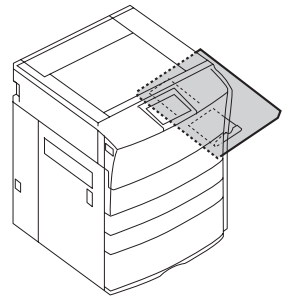
10. MANUAL-FEED-DRIVE-1-ASM



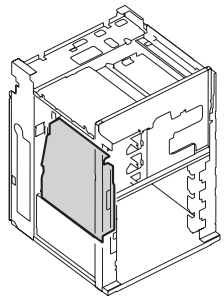
11. MANUAL-FEED-DRIVE-2-ASM



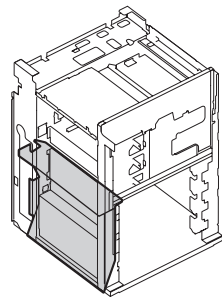
12. MANUAL-TRAY-ASM



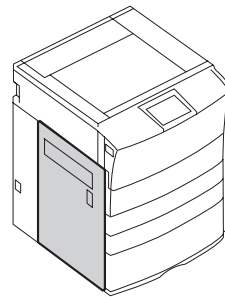
13. REVERSE-DRIVE-ASM



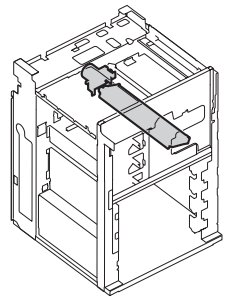
14. REVERSE-OPEN-GUIDE-1-ASM



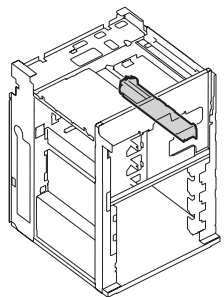
15. REVERSE-OPEN-GUIDE-2-ASM



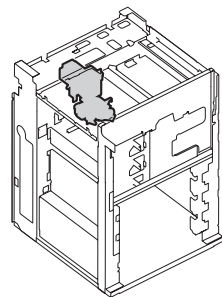
16. ALIGNING-ROLLER-ASM



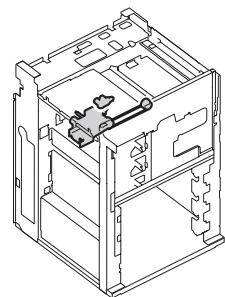
17. TRANSPORT-ROLLER-ASM



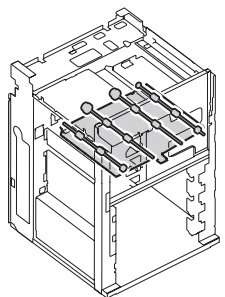
18. TRANSPORT-BELT-DRIVE-1-ASM



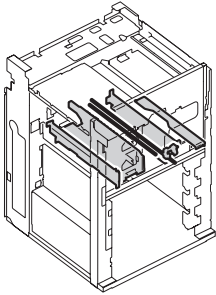
19. TRANSPORT-BELT-DRIVE-2-ASM



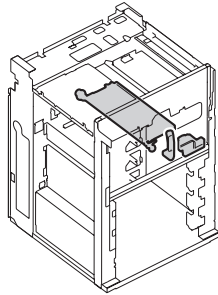
20. TRANSPORT-BELT-GUIDE-1-ASM



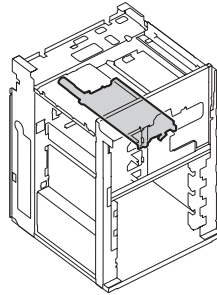
21. TRANSPORT-BELT-GUIDE-2-ASM



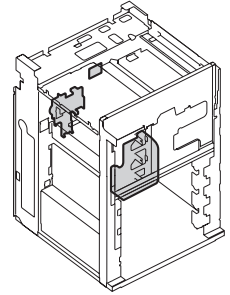
22. TRANSPORT-BELT-CASE-1-ASM



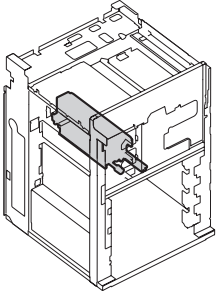
23. TRANSPORT-BELT-CASE-2-ASM



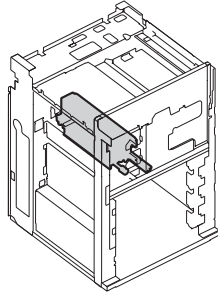
24. FUSER-DRIVE-ASM



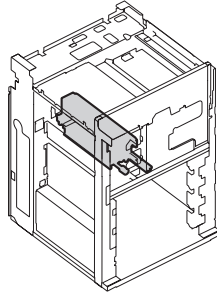
25. FUSER-1-ASM



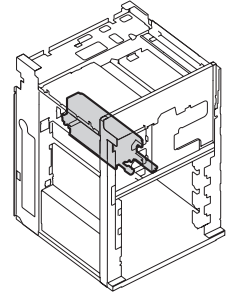
26. FUSER-2-ASM



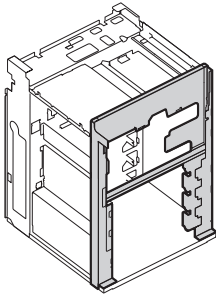
27. FUSER-3-ASM



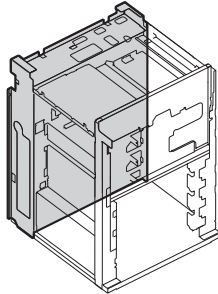
28. FUSER-4-ASM



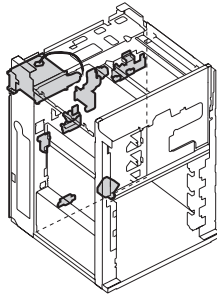
29. FRONT-FRAME-ASM



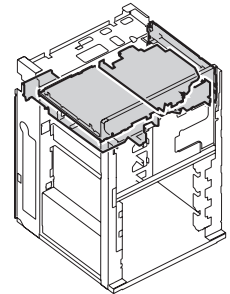
30. REAR-FRAME-1-ASM



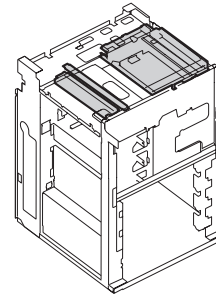
31. REAR-FRAME-2-ASM



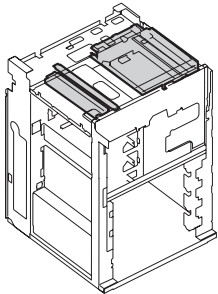
32. LASER-OPT-ASM



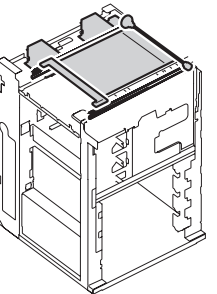
33. DUCT-ASM



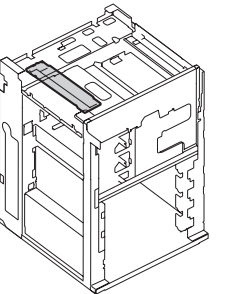
34. OPTICAL-FRAME-ASM



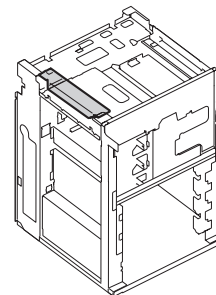
35. OPTICAL-DRIVE-ASM



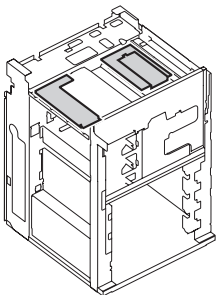
36. CRG-1-ASM



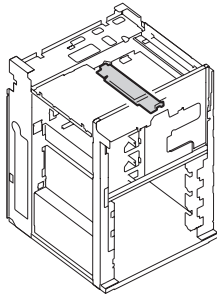
37. CRG-2-ASM



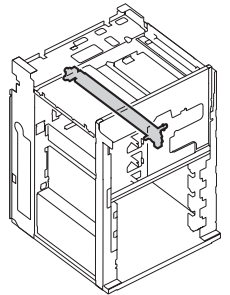
38. OPTICAL-ELECTRIC-ASM



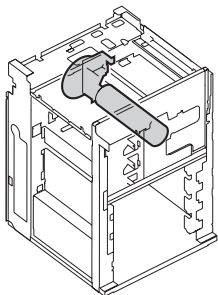
39. CHARGER-DRIVE-ASM



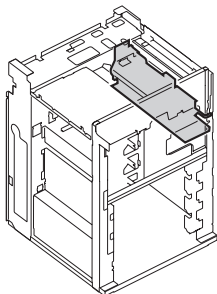
40. MAIN-CHARGER-ASM



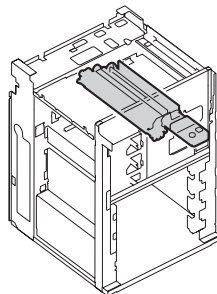
41. DRUM/DRUM-DRIVE ASM



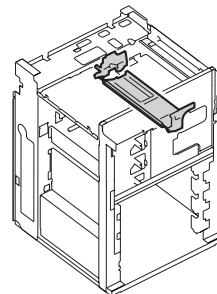
42. DEV DRIVE/STAY-ASM



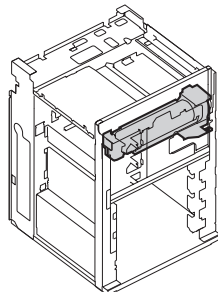
43. DEVELOPER-1-ASM



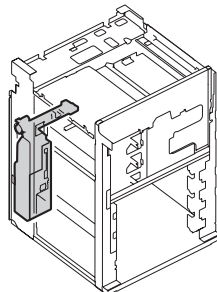
44. DEVELOPER-2-ASM



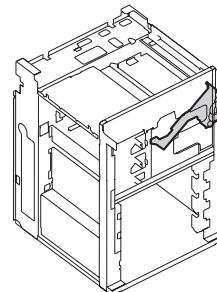
45. TONER-DRIVE-ASM



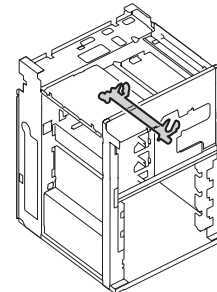
46. USED-TONER/AUGER-ASM



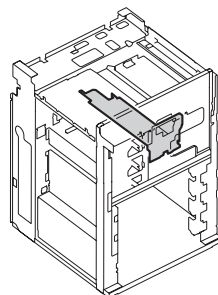
47. RECYCLE/AUGER-ASM



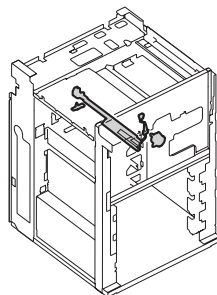
48. CLEANER-1-ASM



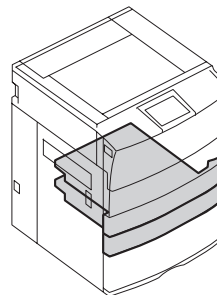
49. CLEANER-2-ASM



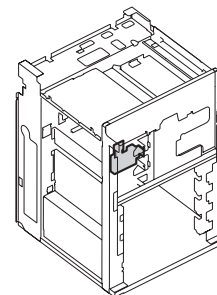
50. CLEANER-3-ASM



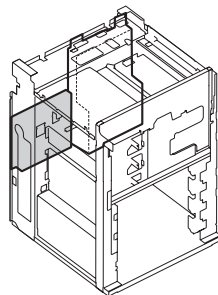
51. DRAWER-ASM



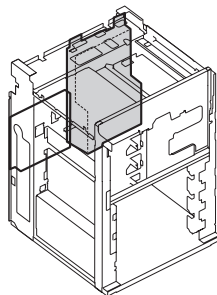
52. ELECTRIC-ASM



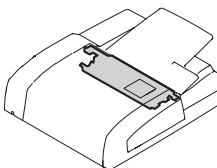
53. LGC-ASM



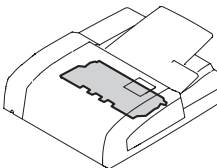
54. SYS-ASM



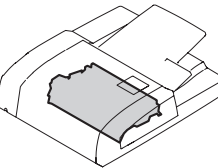
81. FEED-1-ASM



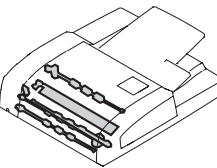
82. FEED-2-ASM



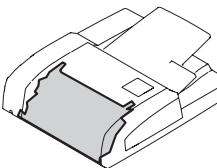
83. FEED-3-ASM



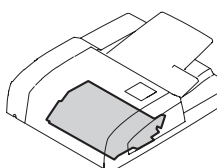
84. FEED-4-ASM



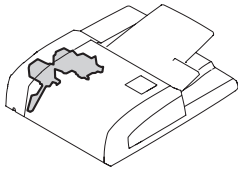
85. FEED-5-ASM



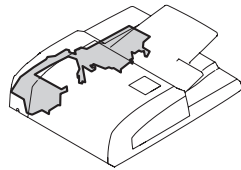
86. FEED-DRIVE-1-ASM



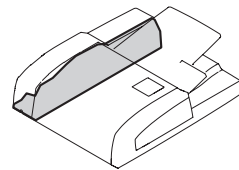
87. FEED-DRIVE-2-ASM



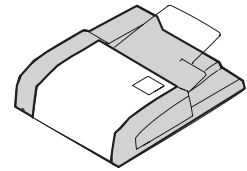
88. HINGE-ASM



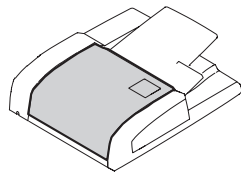
89. REAR-FRAME-1-ASM



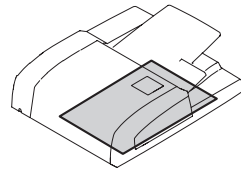
90. COVER-ASM



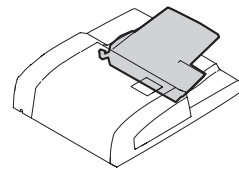
91. GUIDE-OPEN-ASM



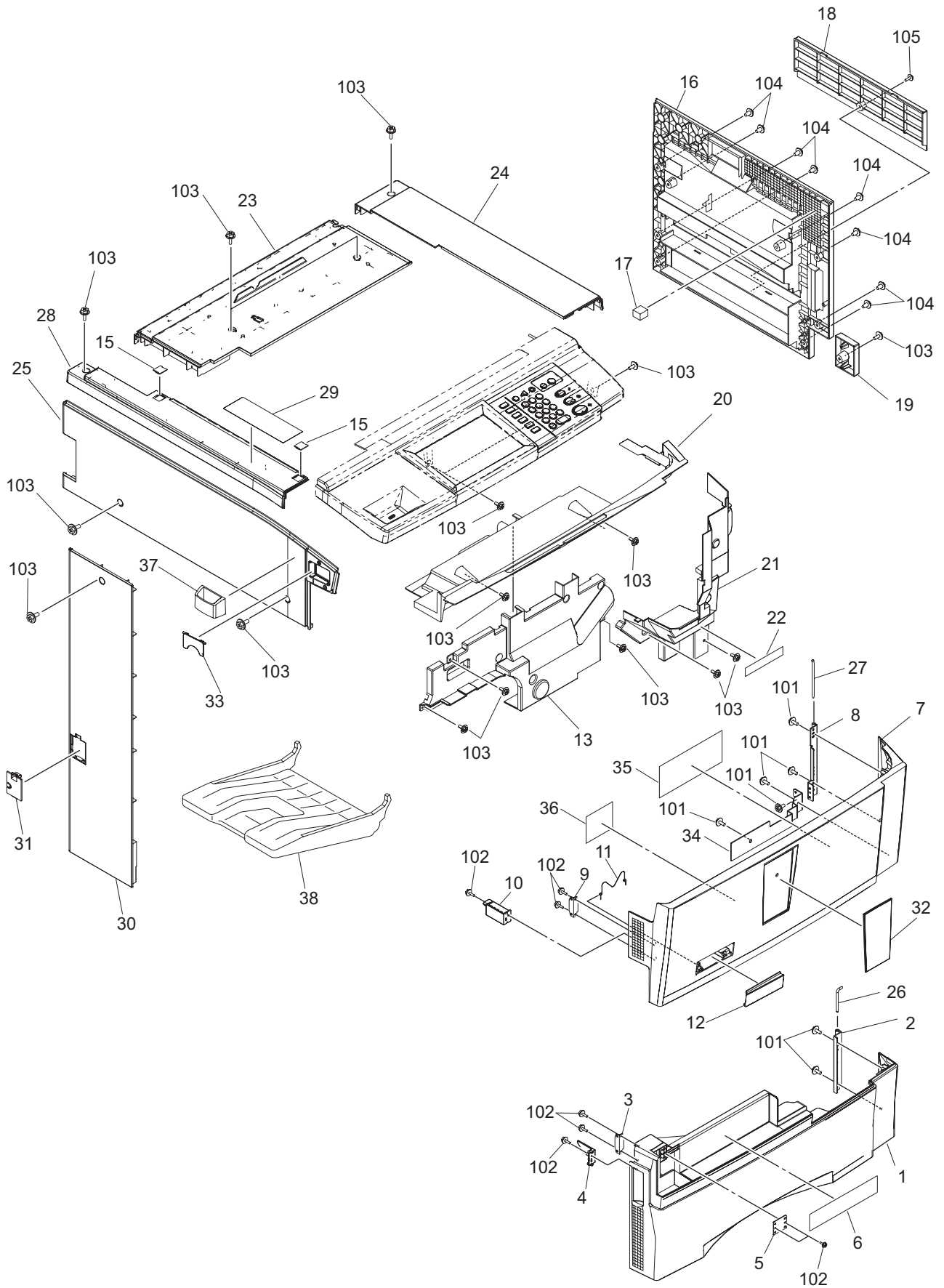
92. PLATEN-ASM



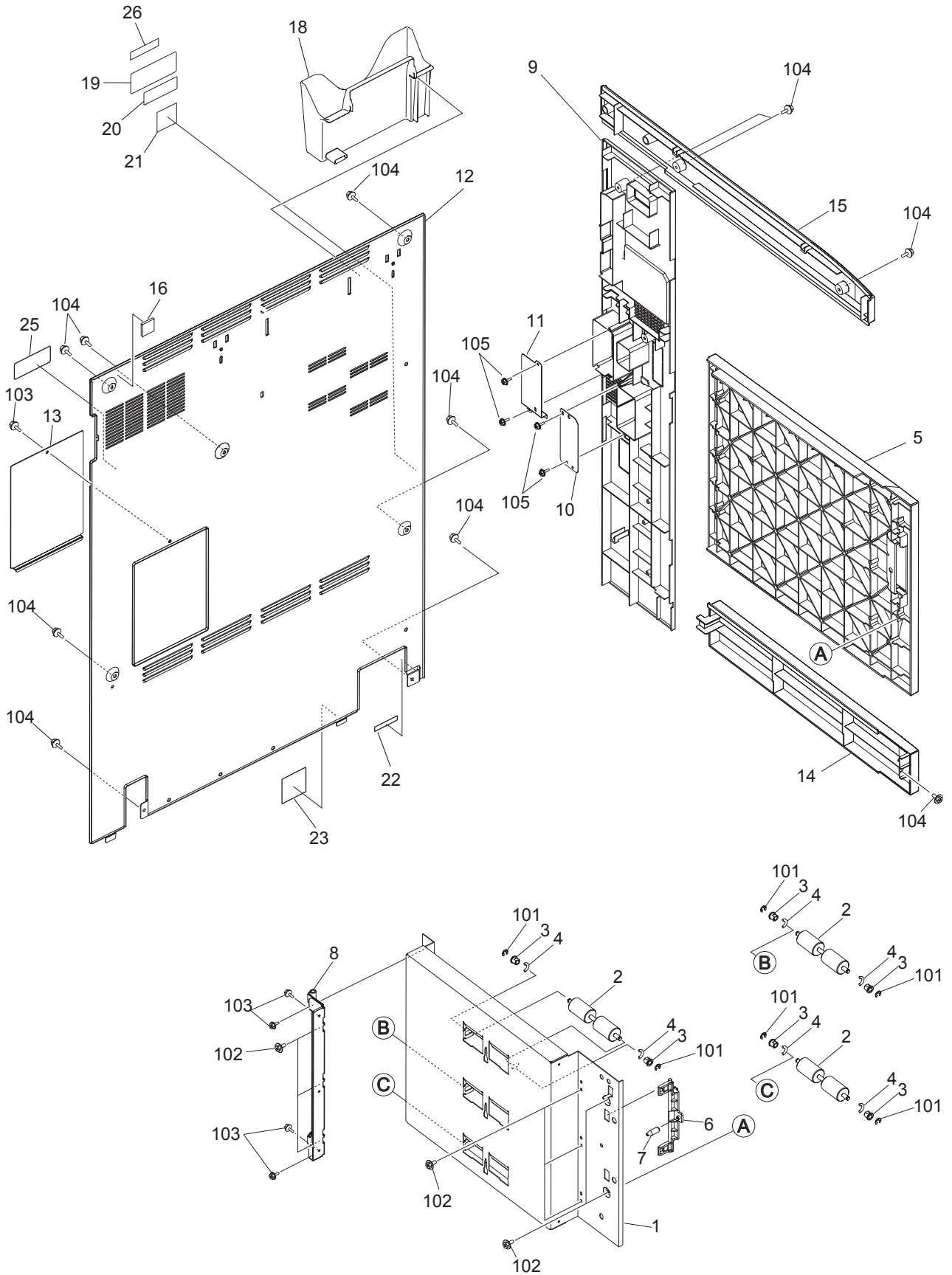
93. TRAY-ASM



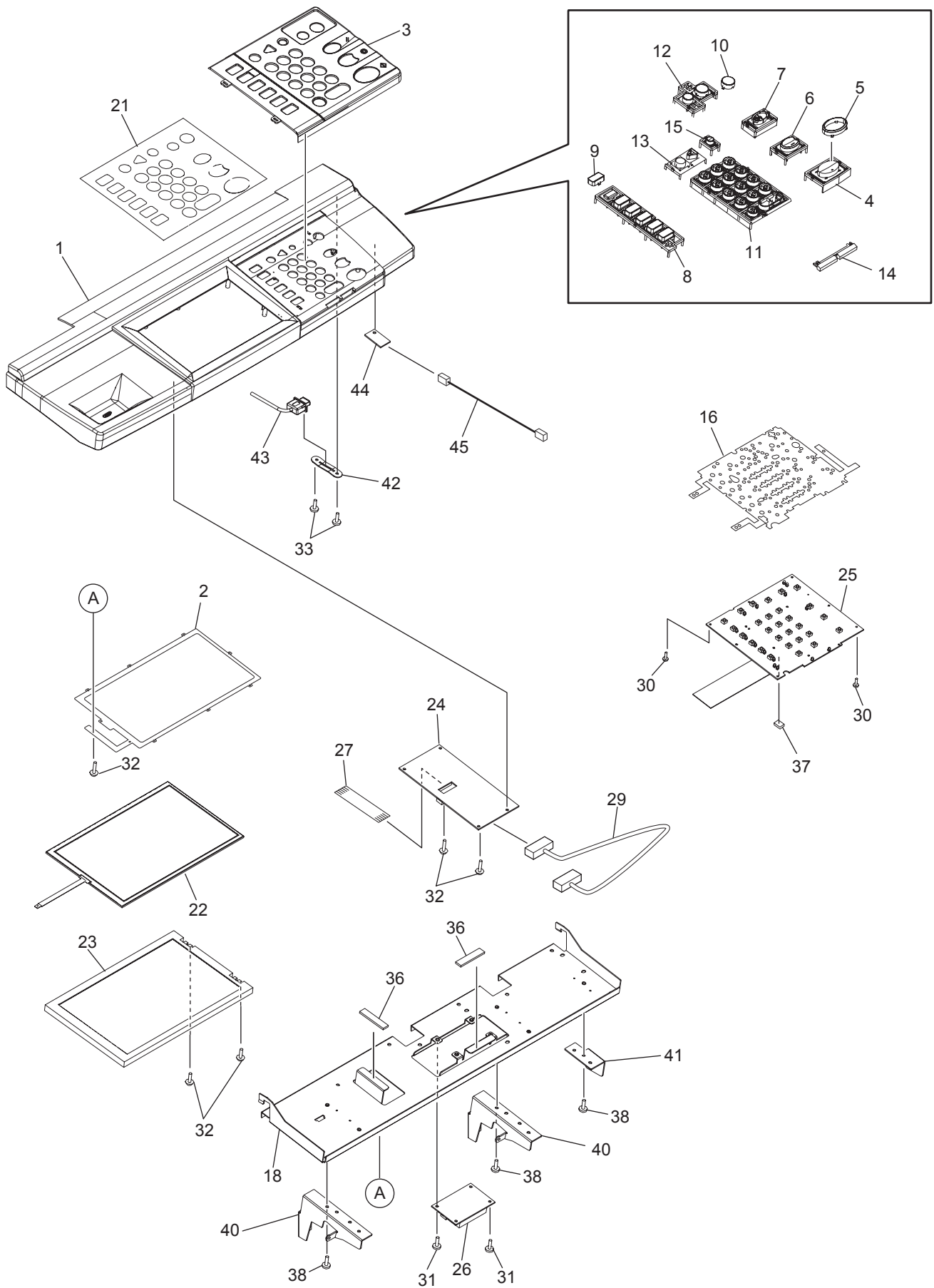




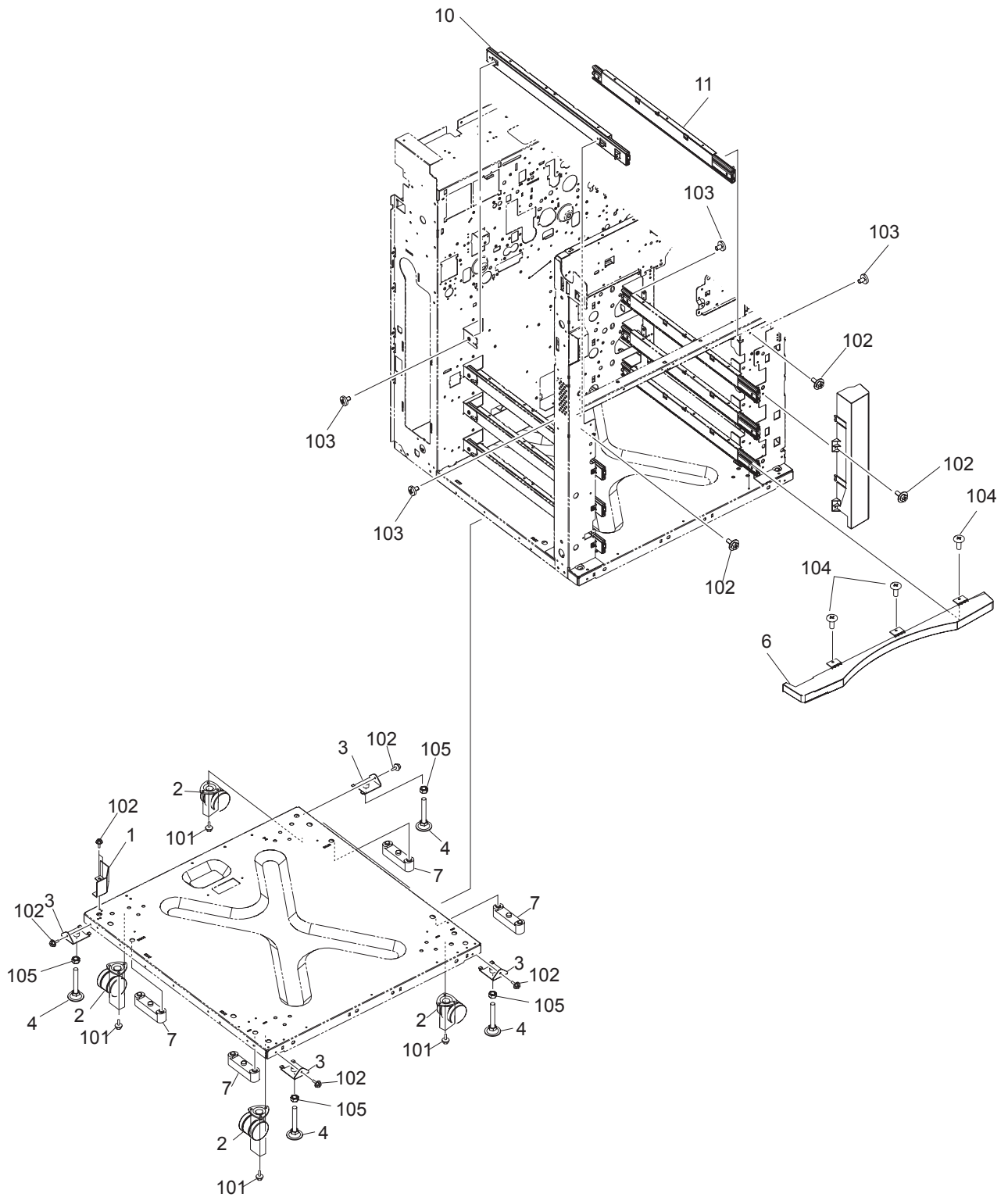
ITEM No.	PART No.	PART NAME	Q'TY / PAGE	Q'TY / PACK	REMARKS
1	6LE04448100	COVER-FRONT-LWR-N	1	1/PP	
2	6LE04453000	HINGE-COV-F-LWR	1	1/P	
3	F0-01393000	CA-0124B	1	1/P	
4	6LE03148000	PUSHER-SW-REV-390A	1	1/P	
5	6LE04451000	BRKT-CATCH-MG	1	1/P	
6	6LE13139000	LBL-TNR-IN	1	1/KP	
7	6LE04447100	COVER-FRONT-UPR-N	1	1/PP	
8	6LE04494000	HINGE-COV-F-UPR	1	1/P	
9	F0-01394000	CA-0131B	1	1/P	
10	6LE04450000	PUSHER-SWTNR-390	1	1/P	
11	6LE04495000	SPG-T-2R9XR55-HNDL	1	1/KP	
12	6LE04449100	COVER-FRONT-HNDL-N	1	1/P	
13	6LE04496000	COV-INNER-CTR-390	1	1/PP	
15	6LE08072000	COV-SCREW-390	2	1/P	
16	6LE04456100	ASY-COVER-BYP_N	1	1/PP	
17	6LA15048000	CUSHION-COV-BYP-N	1	5/P	
18	6LE04458000	COVER-WIN-LCF	1	1/PP	
19	6LE04459000	COVER-LATCH-LCF	1	1/P	
20	6LE07500000	COV-IN-COMP-390	1	1/PP	
21	6LE04410000	COV-INNER-R-390	1	1/PP	
22	6LA06563000	LBL-W-DRUM-PS	1	1/KP	
23	6LH69313000	COVER-TOP-C-H100T	1	1/PP	
24	6LE04438300	COVER-TOP-R_H100N	1	1/PP	
25	6LE04473000	COVER-LEFT-U	1	1/PP	
26	6LE04455000	PIN-HINGE-F-55	1	1/P	
27	6LE04454000	PIN-HINGE-UPR	1	1/P	
28	6LH69303000	COVER-TOP-L-H100T	1	1/PP	
29	6LH69327100	LBL-DF-CLNG-H100T	1	1/KP	
30	6LE04472000	COVER-LEFT-R	1	1/PP	
31	6LE04474000	COVER-DF-CNT-FW	1	1/P	
32 A	6LH73601000	ASYS-EMBLEM-555	1	1/P	e-STUDIO555
32 B	6LH73601100	ASYS-EMBLEM-655	1	1/P	e-STUDIO655
32 C	6LH73601200	ASYS-EMBLEM-755	1	1/P	e-STUDIO755
32 D	6LH73601300	ASYS-EMBLEM-855	1	1/P	e-STUDIO855
33	6LA00741000	COVER-SW-PW	1	1/P	
34	6LE04493000	COV-HINGE-UPR-1	2	1/P	
35 A	6LH67902000	LBL-PM-H100	1	1/KP	MJD
36 A	4406359210	LBL-TNR-CAU-3-E	1	1/KP	MJD
37	6LE16209000	ASYS-CLOTH-SCN	1	1/P	
38	6LA06850000	TRAY-FW	1	1/PP	
101	X0-02251000	S/TPP/FHEXM-4X8-NI	7	10/P	
102	X0-02247000	S/TPP/FHEXM-3X8-NI	8	10/P	
103	X0-02589000	S/TPD3/FHEXM-4X8-ZU3	18	10/P	
104	6LA08934000	SCR-M4X8ITSR-NI	8	10/P	
105	X0-02252000	S/TPP/FHEXM-4X10-NI	1	10/P	



ITEM No.	PART No.	PART NAME	Q'TY / PAGE	Q'TY / PACK	REMARKS
1	6LE05736000	ASYS-GUIDE-PAPER-390	1	1/PP	
2	6LE05723000	ROLLER-IDLE-390	3	1/KP	
3	4407976990	BUSH-D6-GCB	4	1/P	
4	6LA14855000	SPRING-PFP-340	6	1/P	
5	6LE05751100	COVER-PFP-OPEN-N	1	1/PP	
6	6LE03422100	KNOB-COV-PFP-N	1	1/P	
7	6LA04152000	SPC-KNOB-STOP	1	5/P	
8	6LA04146000	BRKT-HINGE-U	1	1/P	
9	6LE04440100	ASYS-COV-RIGHT-R-390_N	1	1/PP	
10	6LE04480000	PLATE-FAX	1	1/P	
11	6LE04479000	PLATE-PCI	1	1/P	
12	6LH73619000	COVER-REAR-H100	1	1/PP	
13	6LE16216000	COVER-DL-REAR-390V	1	1/PP	
14	6LE04476000	COVER-RIGHT-L	1	1/PP	
15	6LE04475000	COVER-RIGHT-U	1	1/PP	
16	6LE04492000	RUBBER-COVER-R-390	1	5/P	
18	6LE75819000	POCKET-MANUAL	1	1/PP	
19	6LA47529000	LBL-LASER	1	1/KP	
20 A	6LA15839000	LABEL-FCC-18	1	10/KP	NAD
21 A	4408860880	LABEL-CANADA-A	1	5/P	NAD
22 C	4402860770	LBL-C-TICK-MARK	1	5/P	AUD
23	44204604000	LBL-SERVICE-45	1	5/P	
25 C	4400685400	LABEL-CHINA	1	5/P	ASD,ASU,ARD
26 A	6LE90046000	LBL-MERCURY-US	1	1/KP	NAD
101	X0-00966000	RR/E-5-SS	6	10/P	
102	X0-02251000	S/TPP/FHEXM-4X8-NI	8	10/P	
103	X0-02593000	S/TPD3/FHEXM-3X8-ZU3	5	10/P	
104	X0-02589000	S/TPD3/FHEXM-4X8-ZU3	11	10/P	
105	X0-02247000	S/TPP/FHEXM-3X8-NI	4	10/P	

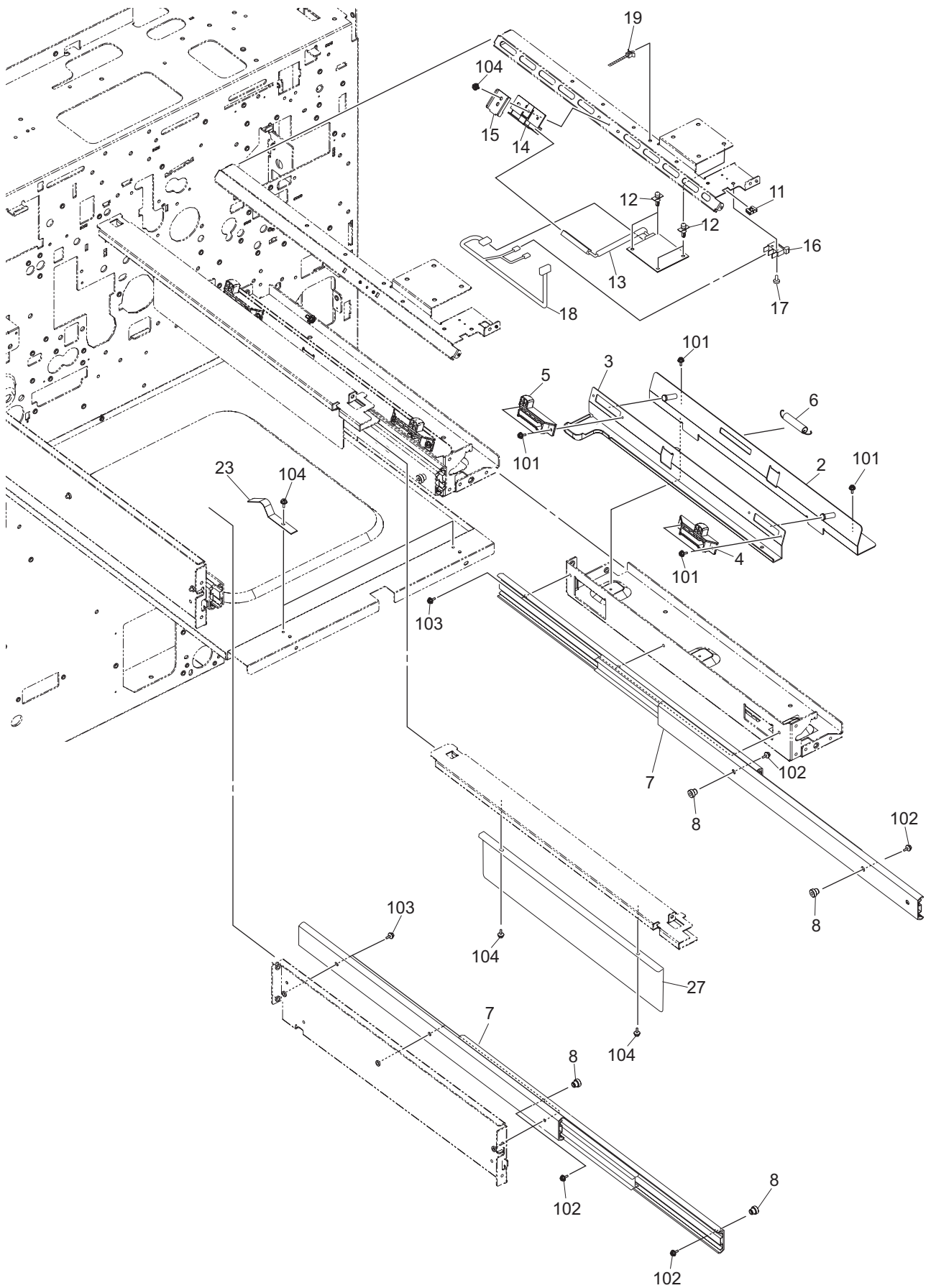


ITEM No.	PART No.	PART NAME	Q'TY / PAGE	Q'TY / PACK	REMARKS
1	6LH69002000	COVER-CONPANE-UPR-H100	1	1/PP	
2	6LH69013000	MYLAR-SHIELD-LCD-H100	1	1/KP	
3	6LH69008000	COV-CONP-CLEAR-H100	1	1/KP	
4	6LH02005000	KEY-START	1	1/D	
5	6LH02006000	KEY-START-RING	1	1/D	
6	6LH02007000	KEY-STOP	1	1/D	
7	6LH02008100	KEY-RESET-U	1	1/D	
8	6LH02009000	KEY-FUNCTION	1	1/D	
9	6LH02010000	KEY-MENU	1	1/D	
10	6LH02011000	KEY-POWER	1	1/D	
11	6LH37308000	KEY-TEN-45X	1	1/C	
12	6LH37306000	KEY-ENERGY-45X	1	1/D	
13	6LH37307000	KEY-USER-FUNC-45X	1	1/D	
14	6LH69003000	LID-LED-H100	1	1/P	
15	6LH02012000	KEY-COUNT	1	1/D	
16	6LH69945000	PWA-F-KEY-H100	1	1/SB	
18	6LH69004000	SHIELD-CONPANE-H100	1	1/P	
21	6LH69010000	SHEET-PANEL-H100-U	1	1/KP	
22	6LH37335000	ASYS-PNL-TOUCH-450	1	1/C	
23	6LH70012000	ASYS-DSP-LCD-H100	1	1/C	
24	6LH62845000	PWA-F-DSP-470	1	1/SB	
26	6LH62505000	INV-DSP-470	1	1/C	
27	6LH61431000	HRNS-LCD-DSP-470	1	1/P	
29	6LH69939000	HRNS-SYS-DSP-H100	1	1/P	
30	X0-02094000	S/TPB/BID-2X6-NI	12	10/P	
31	X0-00434000	S/BID-M3X8-NI	2	10/P	
32	X0-02095000	S/TPP/BRZ-3X10-NI	19	10/P	
33	X0-02096000	S/TPP/BRZ-3X8-NI	2	10/P	
34	6LE09111000	SNSR-THS-390	1	1/C	
36	6LH52205000	GSKT-CONP-470	2	1/P	
37	6LH37330000	SPACER	1	1/P	
38	X0-00077000	S/PAN/SWWP-M3X8-NI	4	10/P	
40	6LH69006000	BRKT-CONPANE-H100	2	1/P	
41	6LH69005000	BRKT-CONP-TNR-SUB-H100	1	1/P	
42	6LH69007000	BRKT-USB-H100	1	1/P	
43	6LH69952000	CABLE-USB-H100	1	1/P	
45	6LH69940000	HRNS-SYS-SNSR-H100	1	1/P	

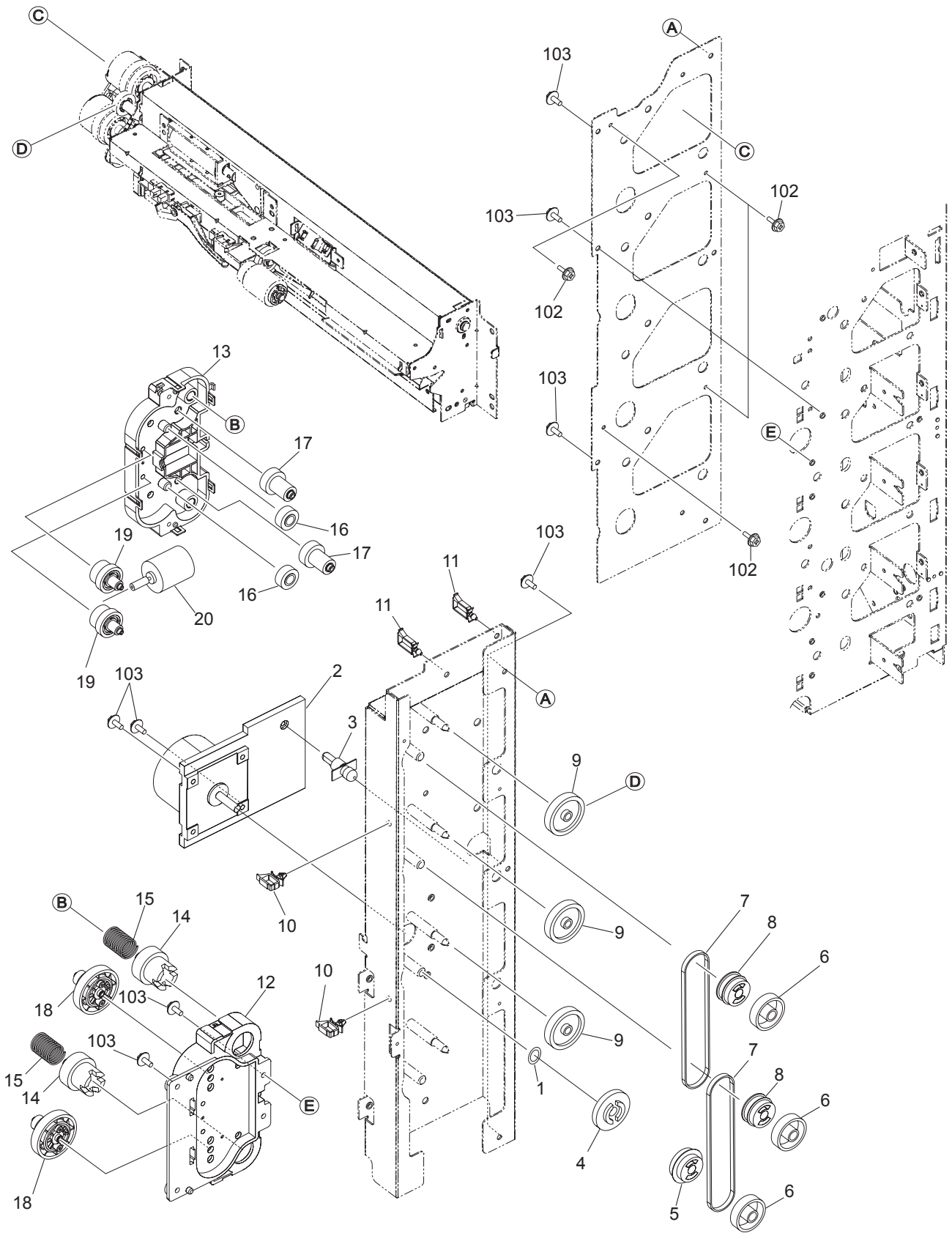


ITEM No.	PART No.	PART NAME	Q'TY / PAGE	Q'TY / PACK	REMARKS
1	6LH68516000	FOT-BRKT-COV-H100	1	1/P	
2	6LE27028000	CASTER-TKS-51	4	1/P	
3	6LE06312000	ASYS-BRKT-ADJ-390	4	1/P	
4	6LE06413000	FOOT-H-AD-502-ZU3-39X	4	1/D	
5	6LE04407000	COVER-FRT-LWR-SID	1	1/PP	
6	6LE04408000	COVER-FRT-LWR	1	1/PP	
7	4406308710	HANDLE-BASE	4	1/P	
10	6LE03717000	RAIL-CST-390-L	4	1/P	
11	6LE03718000	RAIL-CST-390-R	4	1/P	
101	X0-01110000	S/PAN/SWWP-M5X12-BSNI	12	10/P	
102	X0-02589000	S/TPD3/FHEXM-4X8-ZU3	15	10/P	
103	X0-00447000	S/BID-M4X5-NI	16	10/P	
104	6LE04445000	SCREW40X08-T-ZU3	3	5/P	
105	X0-00864000	N/HEX/1-M8-SS	4	10/P	

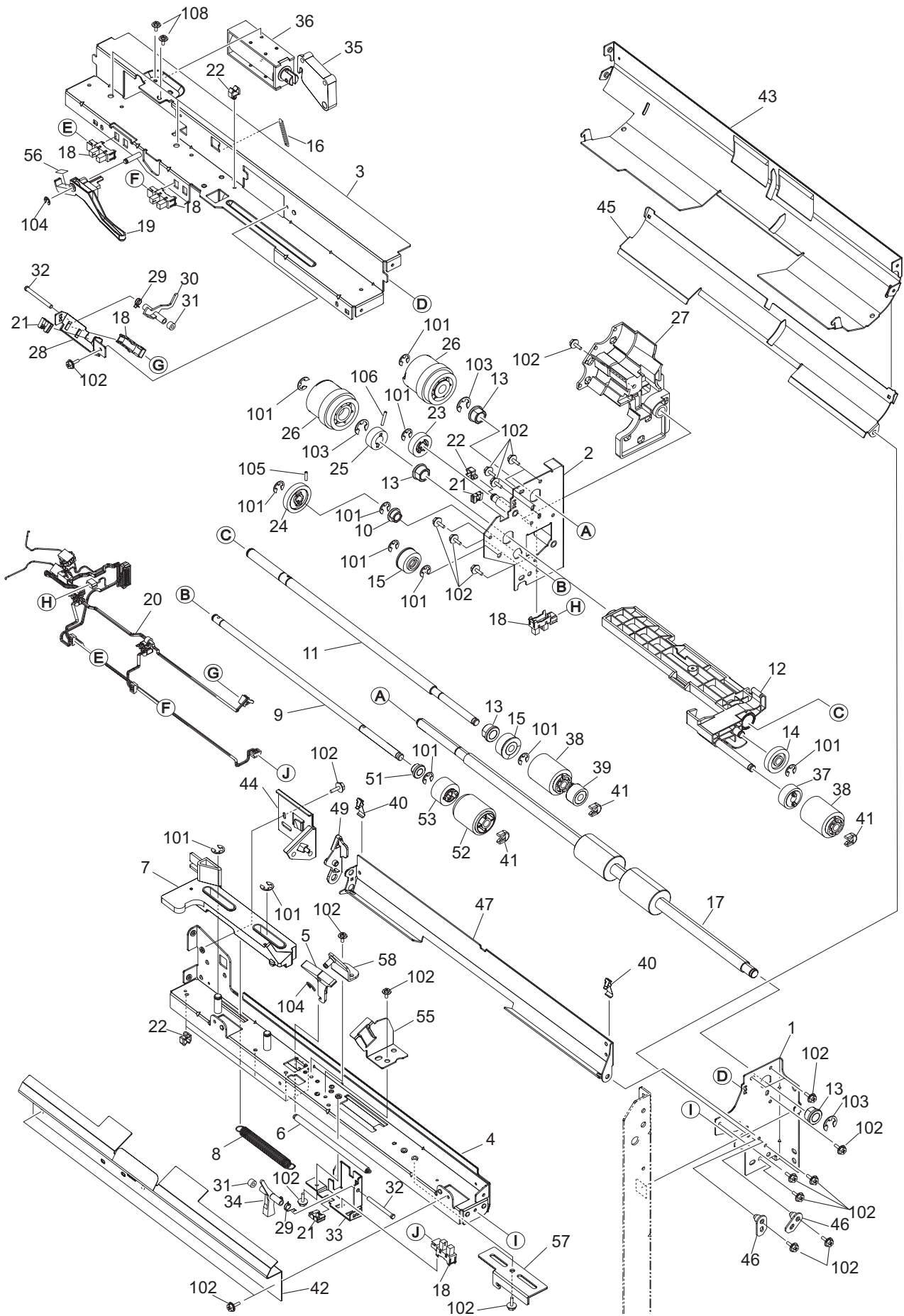




ITEM No.	PART No.	PART NAME	Q'TY / PAGE	Q'TY / PACK	REMARKS
2	4406350450	K-BRKT-HOLD	1	1/P	
3	6LE06404000	BRKT-SLIDE	1	1/P	
4	4406350520	SLIDER-F	1	1/P	
5	4406350530	SLIDER-R	1	1/P	
6	6LA08945000	SPE110-100-0435	1	5/P	
7	6LE08860000	RAIL-TRU-390	2	1/P	
8	4406337910	STUD-RAIL-TRU	4	1/P	
11	F0-00120000	ES-0505	1	5/P	
12	F0-00316000	SPLSN-3U	4	5/P	
13	6LE09194000	SNSR-V0-390	1	1/C	
14	6LA14473000	HOLDER-SNR-V0	1	1/P	
15	6LA02285000	COVER-SNR-V0	1	1/P	
16	4407966810	SM-SSO1GL2T	1	1/D	
17	44204394000	SCREW20*D23	1	10/P	
18	6LE09406000	HRNS-V0-SNR-390	1	1/P	
19	4400902490	BAND-PS100	1	5/P	
23	6LA06435000	SPL-ADU-TRANS	2	1/P	
27	6LA02242000	WALL-RAIL-CLN	1	1/P	
101	X0-02592000	S/TPD3/FHEXM-3X6-ZU3	6	10/P	
102	X0-00162000	S/PAN-M4X8-NI	4	10/P	
103	X0-02063000	S/TPS/PAN-4X8-ZU3	6	10/P	
104	X0-02593000	S/TPD3/FHEXM-3X8-ZU3	5	10/P	



ITEM No.	PART No.	PART NAME	Q'TY / PAGE	Q'TY / PACK	REMARKS
1	6LA04256000	WAS-08-120-13-P	1	10/P	
2	6LE09189000	MOTRD-FEED-390	1	1/C	
3	F0-00340000	SPLSN-4U	1	5/P	
4	6LA04255000	GEAR-05H064-08	2	1/P	
5	4401783350	PLY-Z29-Z25-3M	2	1/P	
6	4401783330	GEAR-1.0-Z28	4	1/P	
7	6LA04271000	BLT/T-297-3GT-4	2	1/P	
8	4401783340	PLY-Z25-3M-DBL	2	1/P	
9	44201683000	GEAR-10S034-06	4	1/P	
10	F0-00736000	LWS-0711S	2	5/P	
11	F0-01299000	LWS-2111Z	2	1/P	
12	6LA04321000	CASE-DRV-TRY340	1	1/C	
13	44201851000	CASE-DRV-TRY-R	1	1/C	
14	6LA04322000	CPG-LIFT-340	2	1/P	
15	4401966050	SPC172-100-3400	2	1/P	
16	41306025000	GER-TRAY-21	2	1/P	
17	41306024000	GER-TRAY-24-14	2	1/P	
18	6LA04323000	G06S-13/G05S-80	2	1/P	
19	6LA04324000	G05H-45/G05S-15	2	1/P	
20	6LE05729000	ASYS-MOT-TRAY390	1	1/D	
21	4401783700	BELT-3M-Z103	1	1/P	
102	X0-02593000	S/TPD3/FHEXM-3X8-ZU3	4	10/P	
103	X0-02589000	S/TPD3/FHEXM-4X8-ZU3	8	10/P	

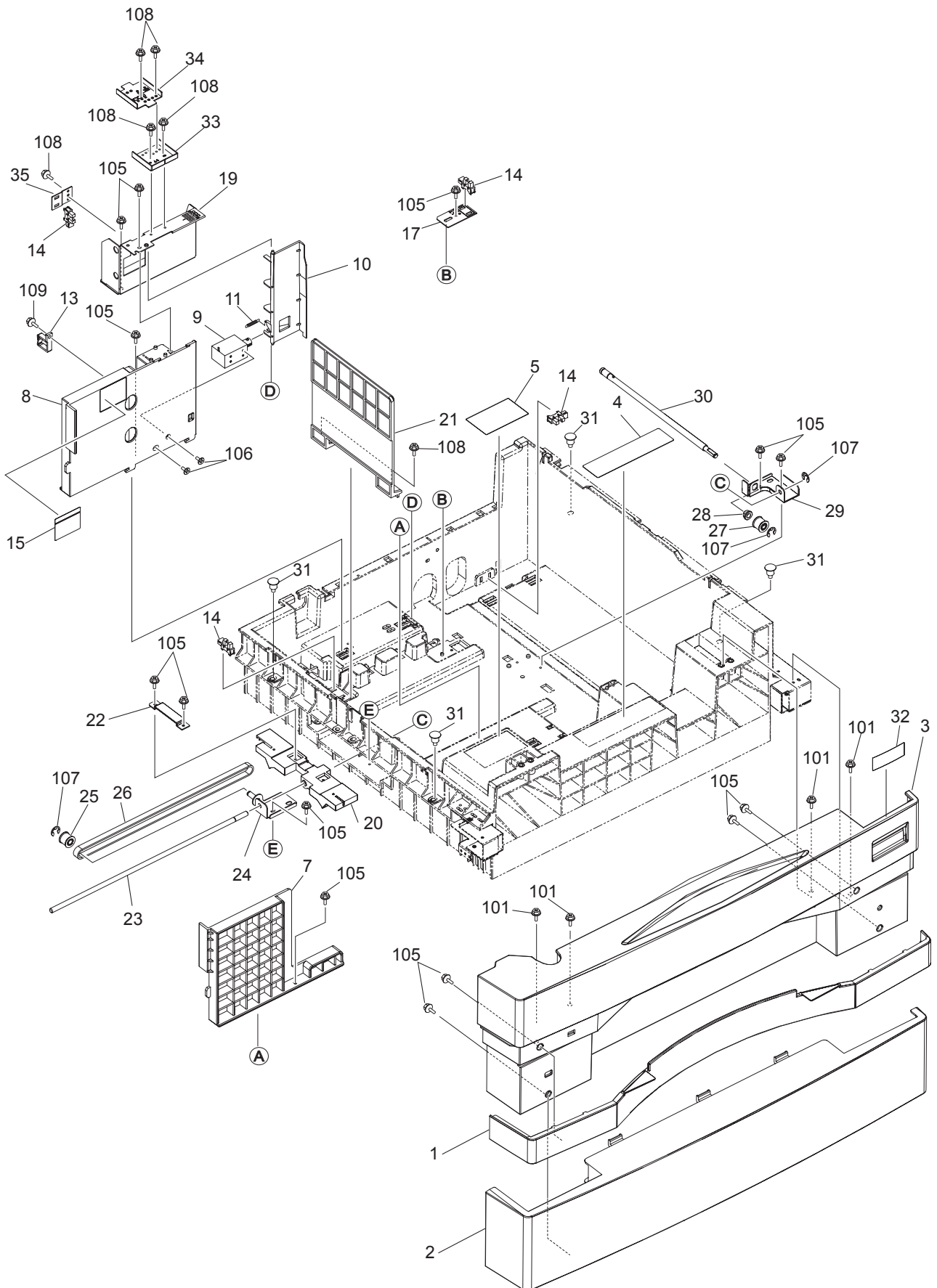


ITEM No.	PART No.	PART NAME	Q'TY / PAGE	Q'TY / PACK	REMARKS
1	6LA03812000	FRAME-F/S-F	1	1/P	For Tandem LCF For Cassette
2	6LA03826000	K-FRAME-F/S-R	1	1/P	
3 A	6LA03731000	K-STAY-FEED-T	1	1/P	
3 B	6LA03831000	K-STAY-FEED	1	1/P	
4	6LE05748000	ASYS-STAY-SPT-390	1	1/P	
5	6LA04036000	LEVER-SPT-ROL	1	1/P	
6	6LA04041000	SPE061-050-0495	1	5/P	
7	6LA04031000	LEVER-P/U-DOWN	1	1/P	
8	6LA03887000	SPE090-090-0531	1	5/P	
9	6LE05725000	ASYS-SHAFT-SPT-ROL	1	1/P	
10	4407734980	BUSH-6-GCB	1	5/P	
11	6LA14783000	SHAFT-FEED-ROL	1	1/P	
12	6LE05730000	ASYS-ARM-PU-ROL	1	1/PP	
13	6LH23442000	BUSH-8X12X8F-NU4	4	5/P	
14	6LA03897000	GEAR-08S026-06	1	1/P	
15	6LE05774000	K-GEAR-08S022-LW-390	2	1/P	For Tandem LCF For Cassette
16 A	6LA03873000	SPE-P/U-110	1	5/P	
16 B	6LA03874000	SPE-P/U-75	1	5/P	
17	6LE05727000	ROLLER-FS-TR	1	1/KP	
18	C0-10813000	GP1A73ARJ00F	5	1/P	
19	6LA03870000	ACT-SW-EMPTY	1	1/P	
20	6LE09603000	HRNS-FS-UNIT-390	1	1/P	
21	F0-00120000	ES-0505	3	5/P	
22	F0-01250000	MSB-1207	8	5/P	
23	4400972560	GEAR-1.0-18	1	1/P	
24	4407906230	GEAR-08-30	1	1/P	
25	4406349590	GEAR-08S020-08	1	1/P	
26	6LA15184000	CLUCH-G28-08D	2	1/D	
27	6LA03972000	COVER-F/S-CLT	1	1/P	
28	6LA03883000	BRKT-SW-TR-F/S	1	1/P	
29	6LA03876000	SPA-ACT-FS	2	5/P	
30	6LA03881000	ACT-SW-TR-F/S	1	1/P	
31	6LE05749000	CUSH-ACTR-STOP-390	2	1/P	
32	6LE03108000	PIN-ACTR	2	1/P	
33	6LA03953000	BRKT-SW-SPT	1	1/P	
34	6LA03951000	ACT-SW-SPT	1	1/P	For Tandem LCF For Tandem LCF
35 B	6LA03740000	LEVER-P/U-SND	1	1/P	
36 B	6LA15257000	SOL-PICK-340	1	1/D	
37	6LA03898000	GEAR-08S022-06	1	1/P	
38	6LA04047000	ASYS-ROL-FEED	2	1/P	
39	6LE05773000	CLUTCH-6-RW-390	1	1/P	
40	6LA03950000	SPL-F/S-TR	2	1/P	
41	4407972860	STOP-RING-6-5	3	5/P	
42	6LA04038000	ASYS-GUIDE-FS-E	1	1/C	
43	6LA03862000	GUIDE-FEED-U	1	1/PP	
44	6LA03987000	K-BRKT-GID-FEED	1	1/P	
45	6LA04043000	GUIDE-FEED-L-T	1	1/P	
46	6LE05756000	HLDR-GUIDE-FS	2	1/P	
47	6LA03944000	GUIDE-F/S-TR-U	1	1/P	
49	6LA03947000	HOLDER-F/S-TR	1	1/P	
51	6LA03977000	BUSH-F6-GCB	1	5/P	
52	6LA04042000	ASYS-ROL-SPT	1	1/P	
53	6LH04750000	TL-SEP-ROL-Y-N	1	1/P	
55	6LA04032000	BRAK-SPT	1	1/P	
56	6LA03877000	SHEET-DUMP-EMP	1	5/P	
57	6LE05718000	BRKT-HOLD-SP-390	1	1/P	
58	6LA04033000	ASYS-LEVER-SPT	1	1/P	
101	X0-00966000	RR/E-5-SS	12	10/P	
102	X0-02593000	S/TPD3/FHEXM-3X8-ZU3	22	10/P	
103	X0-00968000	RR/E-7-SS	3	10/P	
104	X0-00964000	RR/E-3-SS	2	10/P	
105	X0-00979000	P/PRL/AH7-2X8-SS	1	10/P	
106	X0-01526000	P/PRL/AH7-2X12-SS	1	10/P	

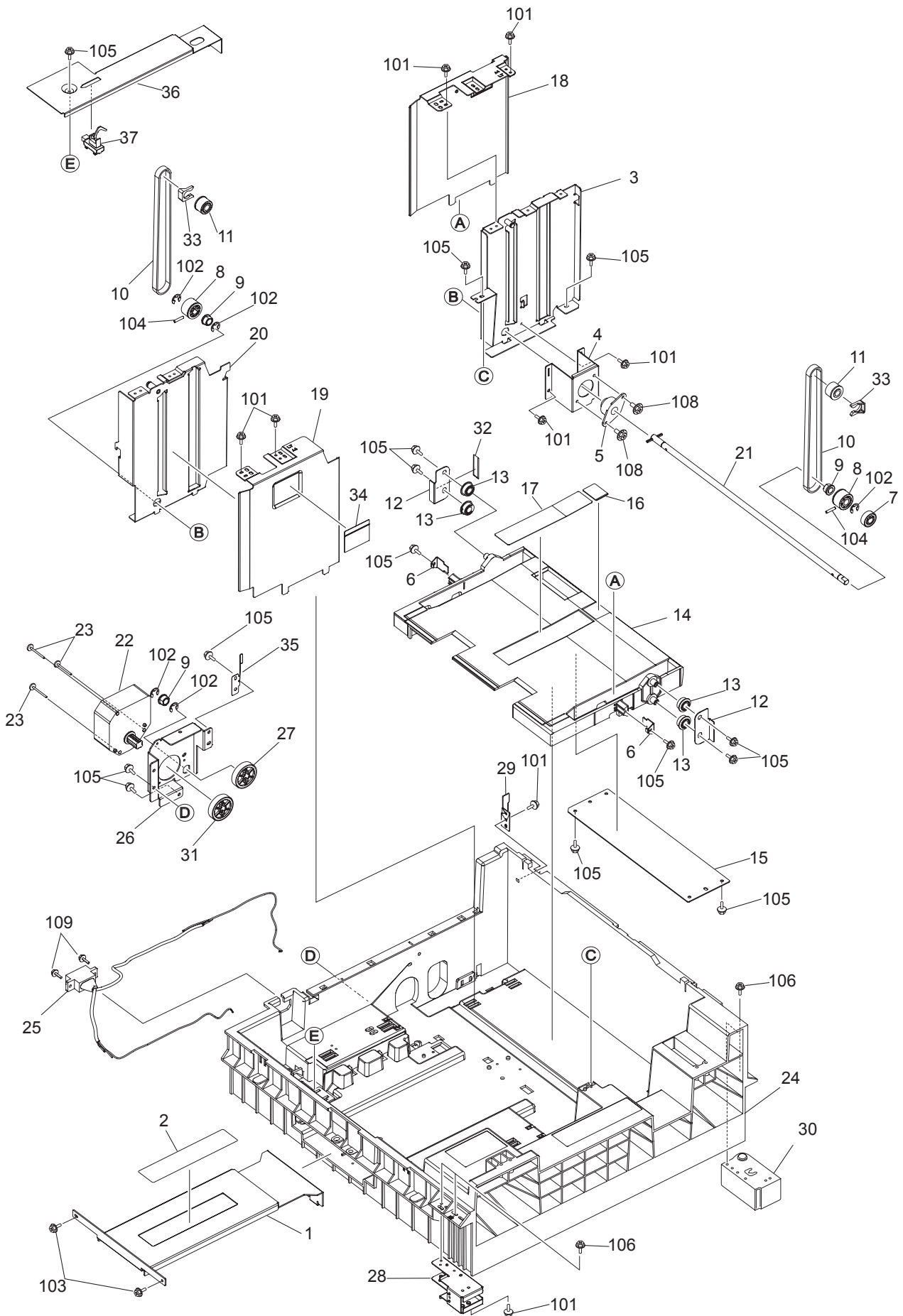
ITEM No.	PART No.	PART NAME	Q'TY / PAGE	Q'TY / PACK	REMARKS
108	X0-02113000	S/PAN-M3X4-NI	2	10/P	



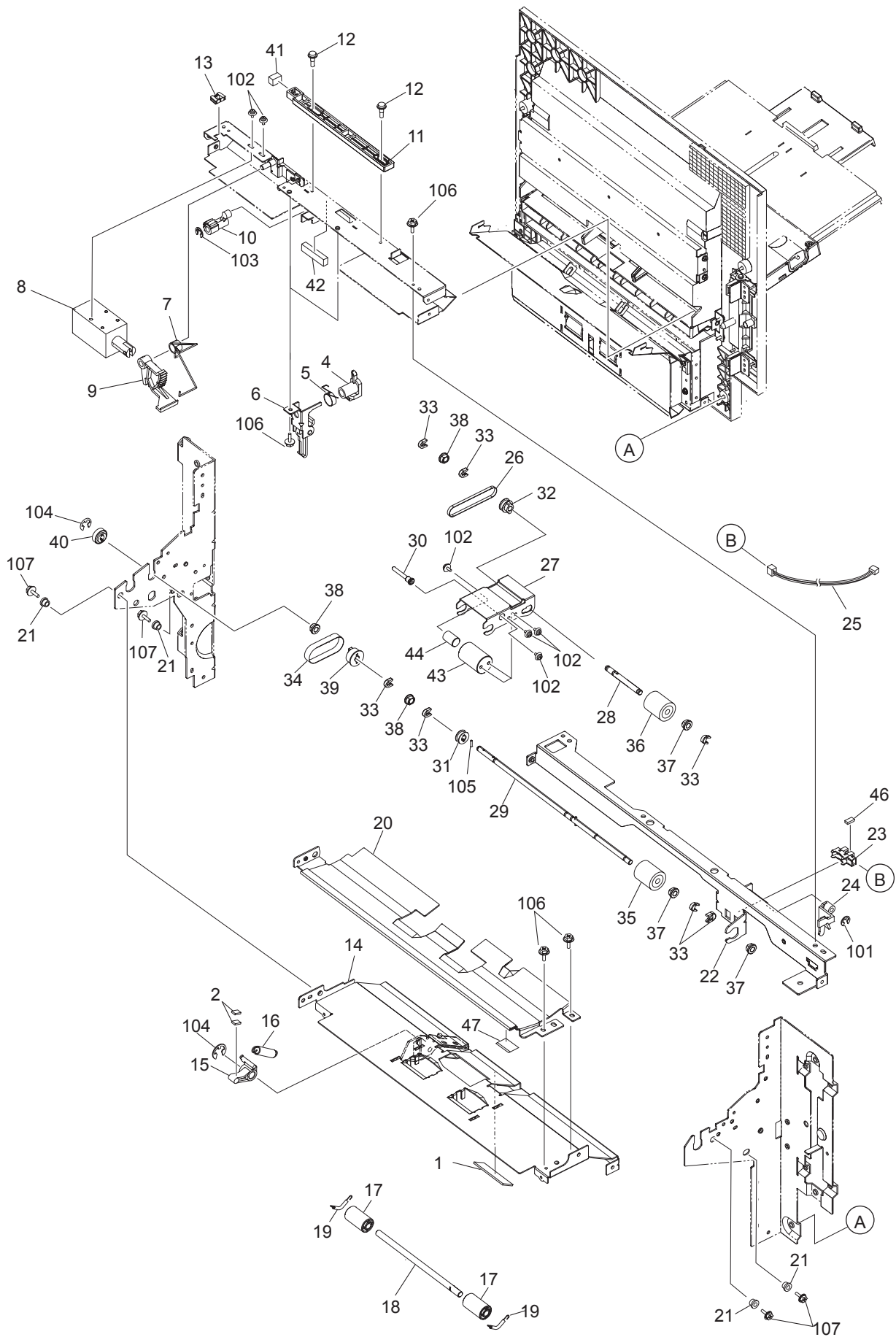




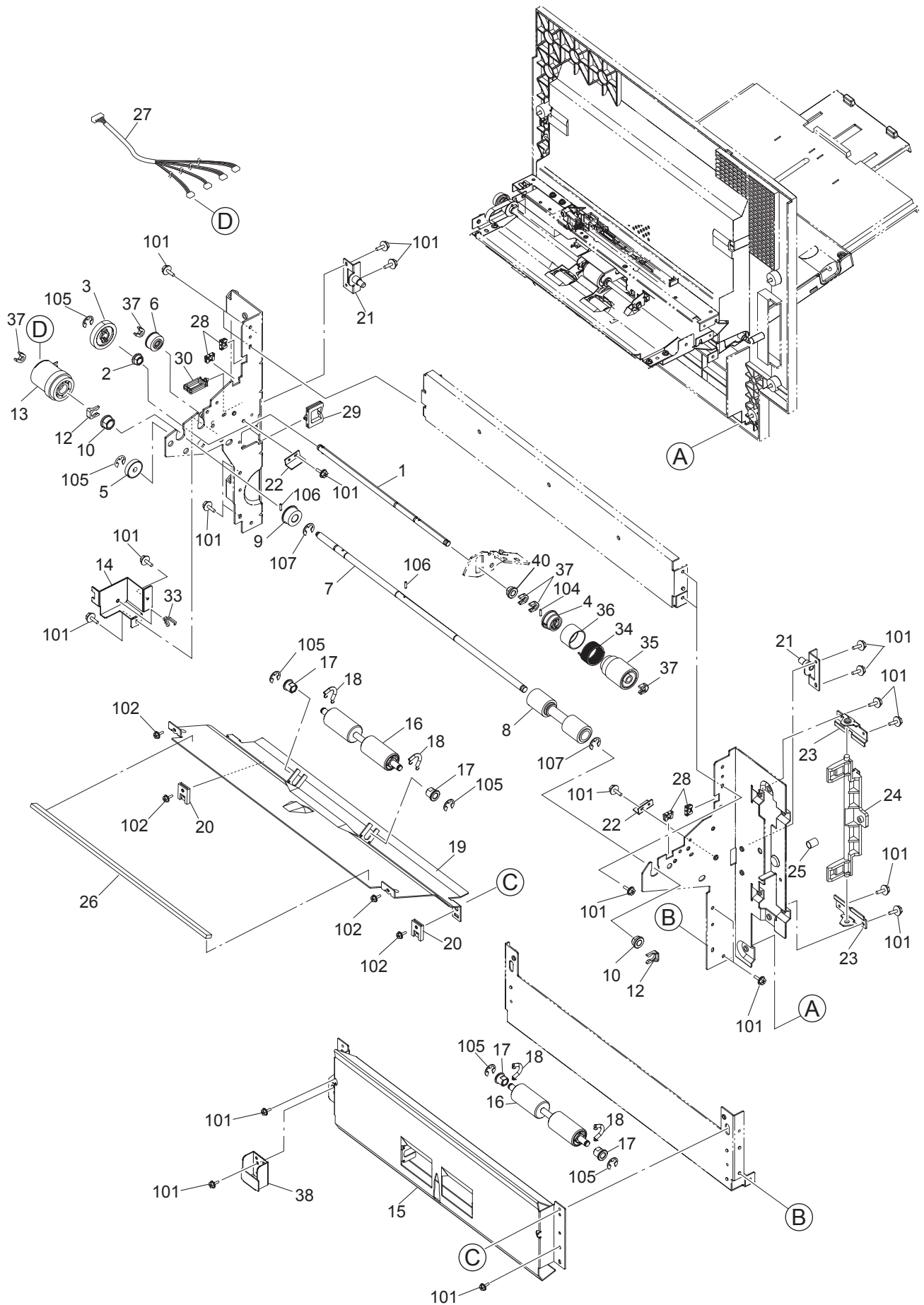
ITEM No.	PART No.	PART NAME	Q'TY / PAGE	Q'TY / PACK	REMARKS
1	6LE04404100	COVER-CSSTT-LWR-N	1	1/PP	
2	6LE04406100	COVER-LCF-LWR-N	1	1/PP	
3	6LE04405100	COVER-LCF-UPR-N	1	1/PP	
4	6LE03904000	LBL-P-SET-390	1	1/KP	
5	6LE03903000	LBL-CST-SET-390	1	1/KP	
7	6LA93726000	FENCE-SIDE-L-F	1	1/PP	
8	6LA93728000	FENCE-SIDE-L-R	1	1/PP	
9	6LA15258000	SOL-END-340	1	1/D	
10	6LA04838000	LEVER-TRAY-TNDM	1	1/P	
11	6LA93923000	SPE-030-035-014	1	5/P	
13	F0-01397000	LWS-2H	1	5/P	
14	C0-10813000	GP1A73ARJ00F	4	1/P	
15	6LA93862000	LBL-P-LIMIT	1	1/P	
17	6LA04810000	BRKT-P-SIZE-SZ	1	1/P	
19	6LA14833000	BRKT-FENCE-STOP-N	1	1/D	
20	6LA93731000	SLIDER-E-FENCE	1	1/P	
21	6LA93730000	FENCE-E-TRAY	1	1/PP	
22	6LA93655000	BRKT-STOP-BELT	1	1/P	
23	6LA04840000	SHAFT-FENCE-END	1	1/P	
24	6LE68320000	K-BKT-SLIDER-D3	1	1/P	
25	6LA93800000	PLY-DRIVE-2	1	1/P	
26	6LA04839000	BLT.SY-591-3GT	1	1/P	
27	6LA93799000	PLY-DRIVE-1	1	1/P	
28	4407734980	BUSH-6-GCB	1	5/P	
29	6LA93660000	BRKT-SLIDER-D2	1	1/P	
30	6LA04813000	SFT-SLID-DRV	1	1/P	
31	6LE69955000	SCREW-SEP-ADD	4	5/P	
32	6LE03709000	SIZE-CST-390-E	1	1/KP	
33	6LA14779000	STAY-BRKT-FENCE-BASE	1	1/P	
34	6LA14780000	STAY-BRKT-FENCE	1	1/P	
35	6LA14820000	BRKT-FENCE-SENS	1	1/P	
101	X0-02217000	S/PAN/SWWP-M4X8-ZU3	4	10/P	
105	X0-02247000	S/TPP/FHEXM-3X8-NI	14	10/P	
106	X0-00317000	S/CTS-M3X6-NI	2	10/P	
107	X0-00965000	RR/E-4-SS	3	10/P	
108	X0-02593000	S/TPD3/FHEXM-3X8-ZU3	7	10/P	
109	X0-02248000	S/TPP/FHEXM-3X10-NI	1	10/P	



ITEM No.	PART No.	PART NAME	Q'TY / PAGE	Q'TY / PACK	REMARKS
1	6LA93658000	BRKT-COV-BELT	1	1/P	
2	6LA93863000	LBL-P-SET-TRY-L	1	5/P	
3	6LA15091000	K-GUIDE-SIDE-RF	1	1/P	
4	6LA93680000	BRKT-DAMPER	1	1/P	
5	6LE03901000	OIL-DAMPER-390	1	1/P	
6	6LA93679000	BRKT-BELT-STOP	2	1/P	
7	6LA93797000	GEAR-DUMP-Z18	1	1/P	
8	6LA93798000	PLY-BRKT	2	1/P	
9	6LH23442000	BUSH-8X12X8F-NU4	3	5/P	
10	6LA14353000	BLT.SY-426-3GT	2	1/P	
11	6LA93775000	PLY/T-3-020	2	1/P	
12	6LA04814000	BRKT-ROL-STOP	2	1/P	
13	6LA93774000	PLY-TRAY-ROL	4	1/P	
14	6LE03907000	ASYS-TRAY-LCF	1	1/PP	
15	6LA93713000	PLT-BALANCER	1	1/P	
16	6LA04847000	PAD-TRAY	1	1/KP	
17	6LA93864000	LBL-P-SET-TRY-R	1	1/KP	
18	6LA04835000	K-FENCE-SIDE-R-F	1	1/P	
19	6LA04803000	FENCE-SIDE-R-R	1	1/P	
20	6LA15092000	K-GUIDE-SIDE-RR-N	1	1/D	
21	6LA04815000	K-SFT-TRAY	1	1/P	
22	6LE09179000	MDC-SLIDER-390	1	1/D	
23	6LA08931000	SCREW-BKT-MOT	3	10/P	
24	6LE03716000	K-CST-TLCF	1	1/C	
25	6LE09483000	HRNS-TLCF-IN-390	1	1/P	
26	6LA04818000	BRKT-MOT-SLID	1	1/P	
27	6LA04821000	GEAR-10H033-08	1	1/P	
28	6LA04822000	BRKT-CAH-T-LCF	1	1/P	
29	6LA04824000	SPL-LEVER-LCF	1	1/P	
30	6LA04841000	ASYS-LOCK-TNDM	1	1/P	
31	6LA04829000	GEAR-MOT-Z33	1	1/P	
32	6LA04853000	MYLAR-BRKT-ROL	1	1/KP	
33	41306265000	STOP-RING-8	2	1/P	
34	6LA93862000	LBL-P-LIMIT	1	1/P	
35	6LA04809000	SPL-EARTH-LCF	1	1/P	
36	6LA93656000	BRKT-COV-P-END	1	1/P	
37	6LH69961000	SNSR-TLCF-EMP-H100	1	1/C	
101	X0-02593000	S/TPD3/FHEXM-3X8-ZU3	8	10/P	
102	X0-00968000	RR/E-7-SS	4	10/P	
103	X0-02230000	S/FHEXM-M3X6-NI	2	10/P	
104	X0-01169000	P/PRL/AH7-3X14-SS	3	10/P	
105	X0-02247000	S/TPP/FHEXM-3X8-NI	15	10/P	
106	X0-00077000	S/PAN/SWWP-M3X8-NI	4	10/P	
107	X0-02595000	S/TPD3/FHEXM-3X12-ZU3	1	10/P	
108	X0-02589000	S/TPD3/FHEXM-4X8-ZU3	2	10/P	
109	X0-02248000	S/TPP/FHEXM-3X10-NI	2	10/P	

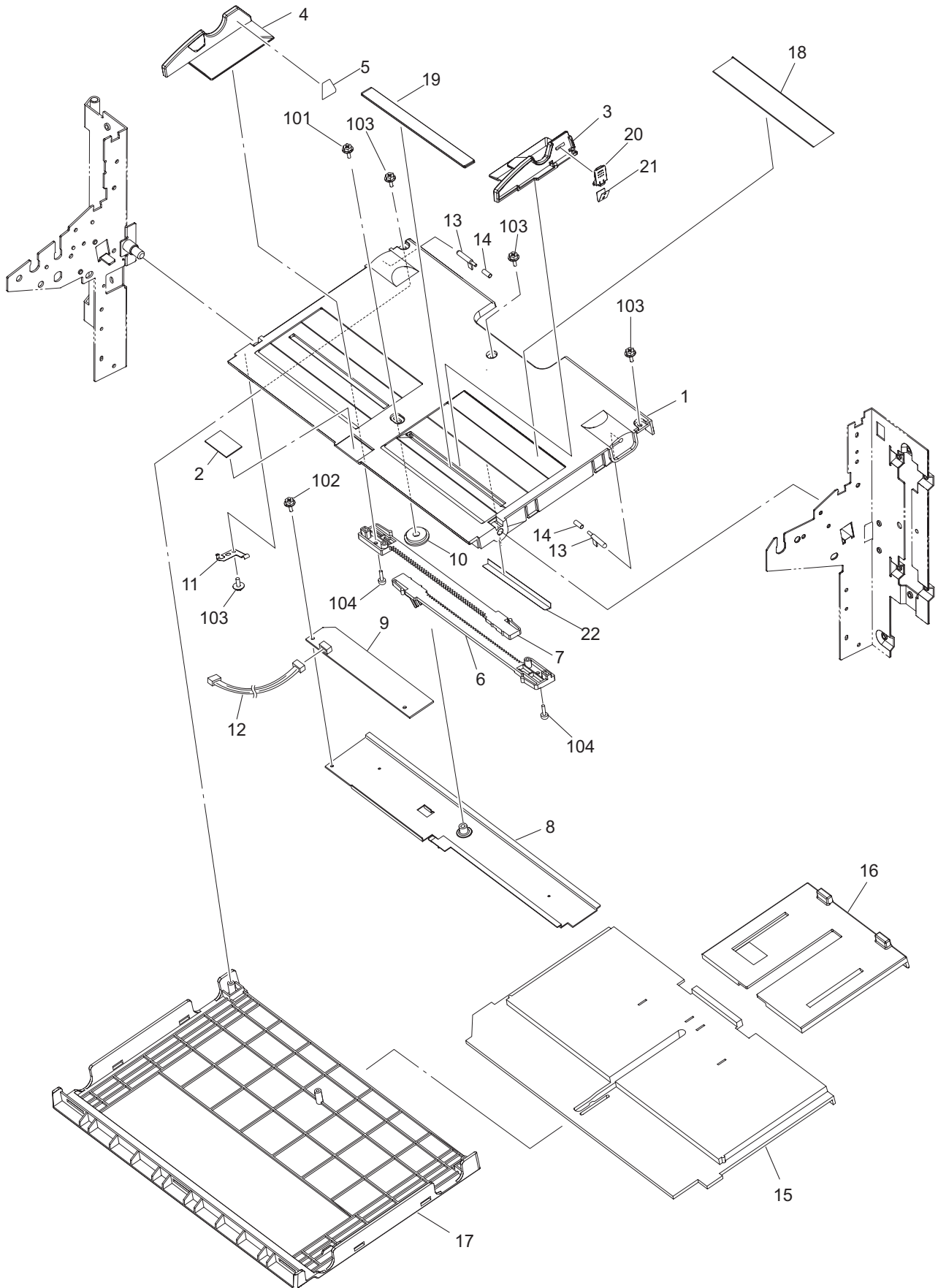


ITEM No.	PART No.	PART NAME	Q'TY / PAGE	Q'TY / PACK	REMARKS
1	6LA15837000	REINF-BRKT-BYP	1	1/P	
2	6LA15838000	REINF-MOULD-BYP	2	5/P	
4	6LA04708000	LEVER-STOPPER	2	1/P	
5	6LA04716000	SPRING-STOP-1	2	5/P	
6	6LA14349000	K-BRKT-STOPPER	2	1/D	
7	6LA04712000	SPRING-SND-LVR	1	5/P	
8	6LA15259000	SOL-SFB-340	1	1/D	
9	6LA04690000	LINK-SND-GEAR	1	1/P	
10	6LA04691000	LEVER-GEAR	1	1/P	
11	6LA04707000	SLIDER-STOPPER	1	1/P	
12	6LA08938000	SCREW-SOCKET	2	10/P	
13	F0-00120000	ES-0505	1	5/P	
14	6LA04638000	K-STAY-GUIDE-L	1	1/P	
15	6LA04635000	LEV-ROL-SEP	1	1/P	
16	6LA04715000	SPE060-080-0236	1	5/P	
17	6LA04672000	IDLR-BYPS-D16	2	1/P	
18	6LA04673000	SFT-IDL-TRS-BYP	1	1/P	
19	6LA04677000	SPRING-SFT-TRS	2	5/P	
20	6LA04630000	GUIDE-P-U	1	1/P	
21	4407980920	BUSH-4-5	4	5/P	
22	6LA04662000	K-STAY-BYP-M	1	1/P	
23	C0-10813000	GP1A73ARJ00F	1	1/P	
24	6LA04653000	LVR-PAPER-SW	1	1/P	
25	6LE09606000	HRNS-SFB-PSW-390	1	1/P	
26	6LA04627000	BLT/T-154-2GT-4	1	1/P	
27	6LA04692000	BRKT-PICK-BYP	1	1/P	
28	6LE03438000	SHAFT-PICK	1	1/P	
29	6LA04706000	K-SHAFT-FED-BYP	1	1/P	
30	6LE03439000	SHAFT-PICK-BRKT	1	1/P	
31	4400884670	PLY-20-ROL	1	1/P	
32	4402813680	PLY-20	1	1/P	
33	4407972860	STOP-RING-6-5	7	5/P	
34	6LA04626000	BLT/T-108-S2M-7	1	1/P	
35	4401773050	K-ROL-FED-CW-H	1	1/P	
36	6LA04694000	K-RLR-P/U-24	1	1/P	
37	4407734980	BUSH-6-GCB	3	5/P	
38	44201492000	BUSH-6-POM	3	5/P	
39	6LA04721000	PLY/T-S2M-28-06	1	1/P	
40	4401777990	K-GEAR-20-08-OW	1	1/P	
41	6LA04742000	DMPR-SLIDER	2	1/P	
42	6LA04743000	DMPR-PICK-UP	1	1/P	
43	6LE03440000	WEIGHT-20-30	1	1/P	
44	6LA04697000	WEIGHT-10-15	1	1/P	
46	6LA04646000	CUSHION-ACT-BYP	1	5/P	
47	6LA04745000	CUSHION-GUIDE-P-U	1	1/P	
101	X0-00964000	RR/E-3-SS	1	10/P	
102	X0-02551000	S/PAN/SWWP-M3X6-ZU3	6	10/P	
103	X0-00965000	RR/E-4-SS	1	10/P	
104	X0-00966000	RR/E-5-SS	2	10/P	
105	X0-00979000	P/PRL/AH7-2X8-SS	1	10/P	
106	6LA08935000	SCR-M3X6BISR-NI	14	10/P	
107	X0-02590000	S/TPD3/FHEXM-4X10-ZU3	4	10/P	

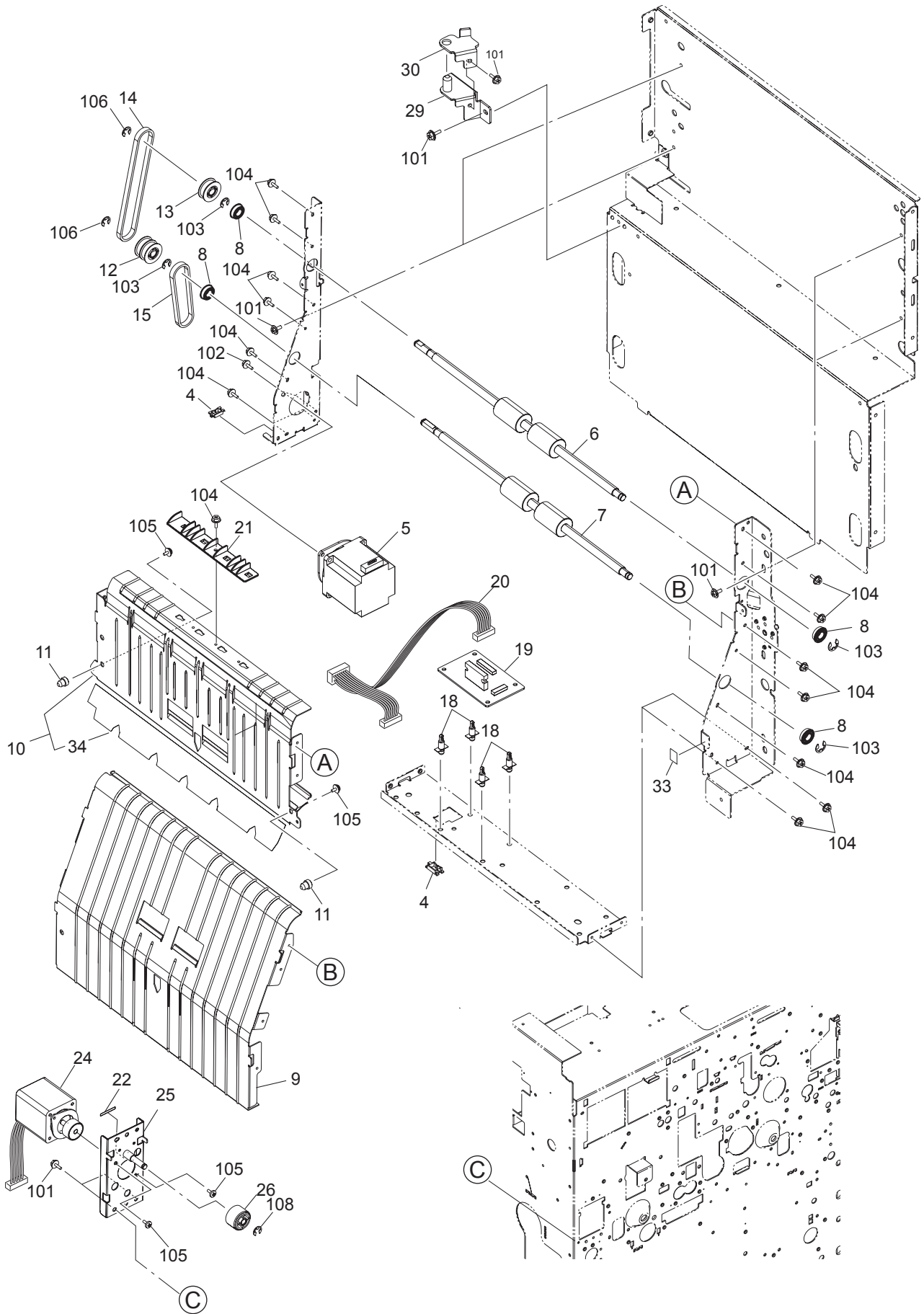


ITEM No.	PART No.	PART NAME	Q'TY / PAGE	Q'TY / PACK	REMARKS
1	6LA04674000	K-SHAFT-SEP	1	1/P	
2	44201492000	BUSH-6-POM	1	5/P	
3	4407906230	GEAR-08-30	1	1/P	
4	4408307270	ARBOR-16-POM-S	1	1/P	
5	4406342070	GEAR-10S020-06	1	1/P	
6	6LE03441000	K-GEAR-08S022-RB-390	1	1/P	
7	6LE03401000	SHAFT-RLR-TRS	1	1/P	
8	6LA04665000	K-RLR-TRS	1	1/P	
9	6LA04720000	PLY/T-S2M-28-08	1	1/P	
10	6LH23442000	BUSH-8X12X8F-NU4	2	5/P	
12	4400336190	STOP-RING-8	2	5/P	
13	6LA04768000	CLUTCH-G28-08-33F	1	1/D	
14	6LA04637000	BRKT-CLT	1	1/P	
15	6LA04661000	GUIDE-LCF-ENT-L	1	1/P	
16	6LE05723000	ROLLER-IDLE-390	2	1/KP	
17	4407976990	BUSH-D6-GCB	4	1/P	
18	6LA05687000	SPRING-500-ADU	4	1/P	
19	6LA04641000	GUIDE-ROL-TRS-U	1	1/P	
20	6LA04642000	SPCR-GUIDE-ROL	2	1/P	
21	6LA04631000	K-HLDR-TRAY	2	1/P	
22	6LA04790000	STOPPER-TRAY	2	1/P	
23	6LA04651000	KNOB-HINGE	2	1/P	
24	6LE03422100	KNOB-COV-PFP-N	1	1/P	
25	6LA04152000	SPC-KNOB-STOP	1	5/P	
26	6LA04732000	CUSHION-GUIDE-TRS	1	1/KP	
27	6LE09605000	HRNS-SFB-MAIN-390	1	1/P	
28	F0-00120000	ES-0505	4	5/P	
29	F0-00047000	EDS-1717U	1	10/P	
30	F0-01299000	LWS-2111Z	1	1/P	
33	4400902490	BAND-PS100	1	5/P	
34	4406347640	SPR-1.0-15.55-S	1	5/P	
35	4406347610	K-ROL-SPT-CW-S	1	1/P	
36	4408307890	COVER-SP-CL	1	1/P	
37	4407972860	STOP-RING-6-5	5	5/P	
38	6LA04740000	BRKT-PUSH-F/S	1	1/P	
40	6LA03977000	BUSH-F6-GCB	1	5/P	
101	6LA08935000	SCR-M3X6BISR-NI	19	10/P	
102	X0-02593000	S/TPD3/FHEXM-3X8-ZU3	4	10/P	
104	X0-00979000	P/PRL/AH7-2X8-SS	1	10/P	
105	X0-00966000	RR/E-5-SS	6	10/P	
106	X0-01526000	P/PRL/AH7-2X12-SS	2	10/P	
107	X0-00968000	RR/E-7-SS	2	10/P	

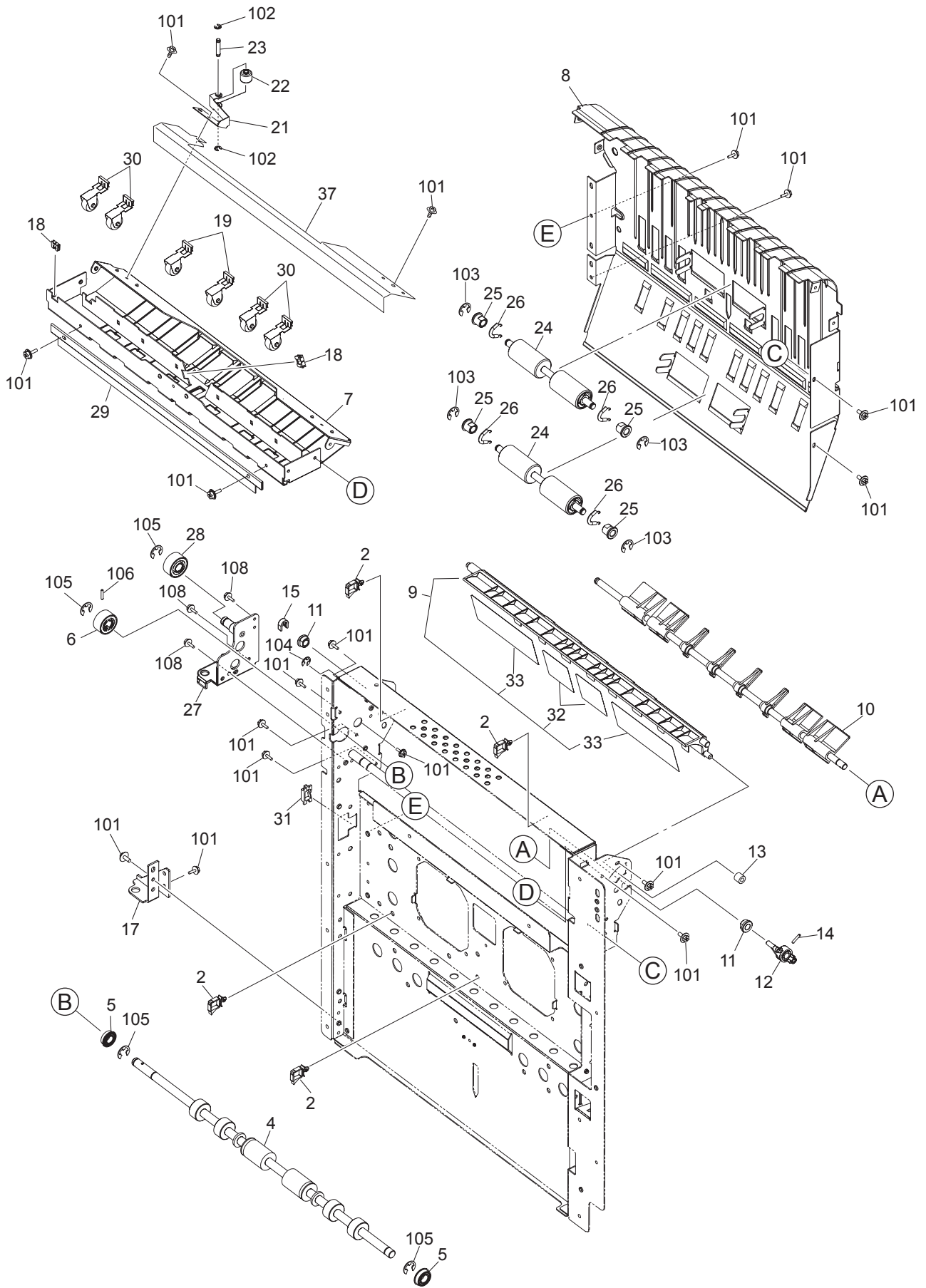




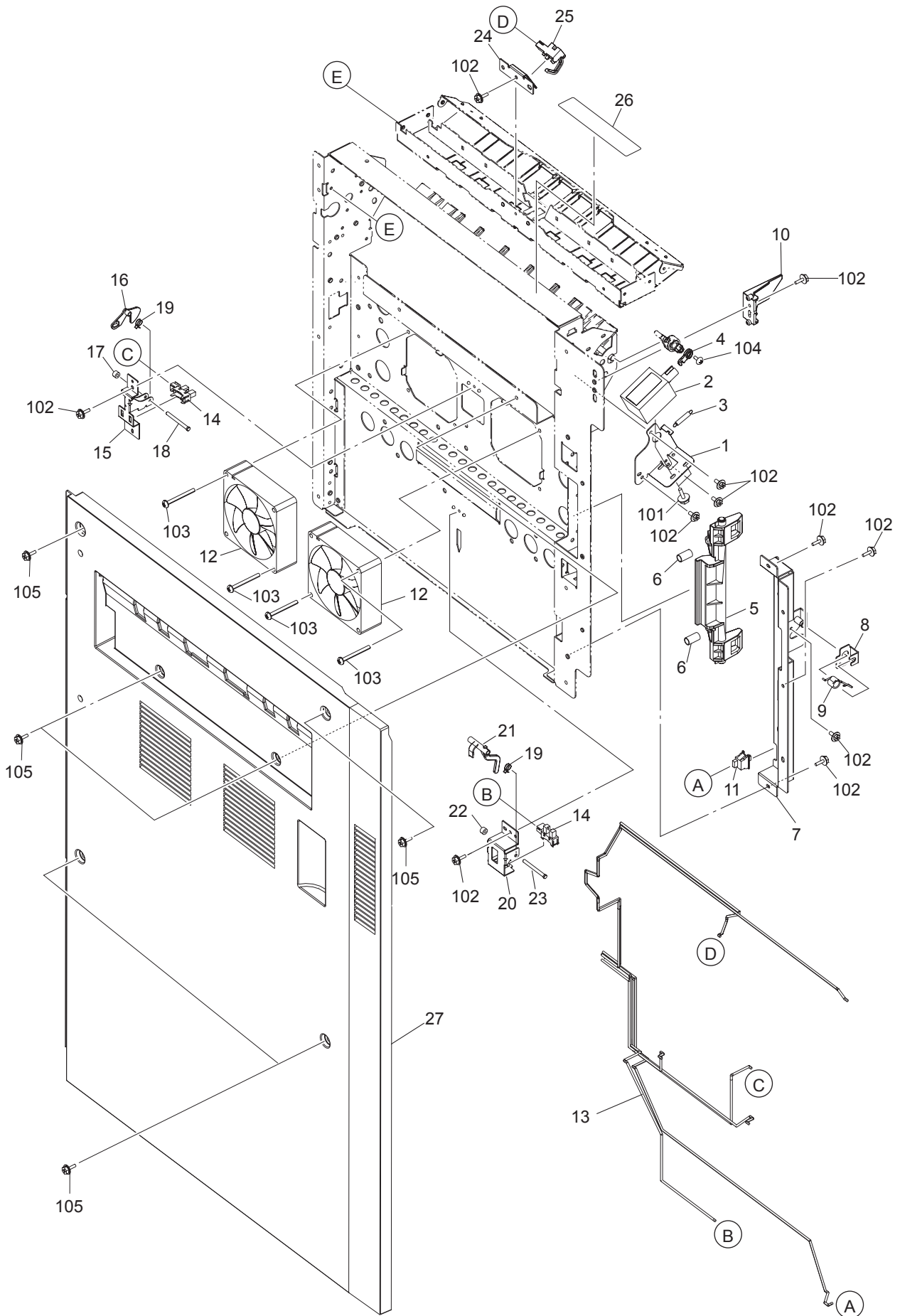
ITEM No.	PART No.	PART NAME	Q'TY / PAGE	Q'TY / PACK	REMARKS
1	6LE03424100	TRAY-BYPASS-U-390-N	1	1/PP	
2	4400901130	PAD-BRAKE	1	5/P	
3	6LE03425100	GUIDE-TRAY-F-390-N	1	1/D	
4	6LE03426100	GUIDE-TRAY-R-390-N	1	1/D	
5	6LA04795000	LBL-TRAY-FULL	1	5/P	
6	6LA28997000	ASYS-RACK-BYPASS	1	1/P	
7	6LA28996000	RACK-BYPASS-350	1	1/P	
8	6LA04788000	K-PLATE-PINION	1	1/P	
9	6LE09176000	PWA-F-SFB-390	1	1/C	
10	4407726480	PINION-18-395	1	1/P	
11	6LA14493000	PLATE-GND-BYP	1	1/P	
12	6LA04761000	HRNS-SFB-SIZE-340	1	1/P	
13	6LE70579000	PIN-TRAY-M-FE	2	5/P	
14	6LA08942000	SPC-PIN-TRAY-N	2	5/P	
15	6LE03416100	TRAY-BYPASS-M-N	1	1/PP	
16	6LE03419100	ASYS-TRAY-BYP-SUB_N	1	1/PP	
17	6LE03415100	TRAY-BYPASS-L-N	1	1/PP	
18 A	6LH73614000	LBL-TRAY-H100-U	1	1/KP	NAD
18 B	6LH73615000	LBL-TRAY-H100-E	1	1/KP	MJD,ASD,ASU,AUD,ARD,SAD
19	6LA29009000	SHEET-PAD-GUIDE-F	1	1/KP	
20	6LE03428000	LEVER-GUIDE-F-390	1	1/P	
21	6LA29007000	SPG-GUIDE-F	1	1/P	
22	6LE03436000	SHEET-SUPPORT-RACK	1	1/P	
101	X0-00430000	S/BID-M3X6-NI	1	10/P	
102	X0-02592000	S/TPD3/FHEXM-3X6-ZU3	1	10/P	
103	X0-02247000	S/TPP/FHEXM-3X8-NI	4	10/P	
104	X0-00595000	S/TPP/PAN-3X6-NI	2	10/P	



ITEM No.	PART No.	PART NAME	Q'TY / PAGE	Q'TY / PACK	REMARKS
4	F0-01248000	ESC-0912	2	10/P	
5	6LE09156000	MOTRS-RVS-390	1	1/C	
6	6LE03109000	ROLLER-REVERS	1	1/KP	
7	6LE03110000	ROLLER-REV-ADU	1	1/KP	
8	F0-01390000	LNR-1680HHRPOP15LY13	4	1/P	
9	6LE03130000	GUIDE-ADU-IN-390	1	1/PP	
10	6LA05920000	K-GUIDE-I-340	1	1/C	
11	6LA05929000	STUD-POS-REV-R	2	1/P	
12	6LA05935000	PLY/T-3GT023-DB	1	1/P	
13	6LA05936000	PLY/T-3GT023-08	1	1/P	
14	6LA05938000	BLT/T-312-3GT-6	1	1/P	
15	6LA05939000	BLT/T-201-3GT-6	1	1/P	
18	F0-00342000	SPLSN-6U	4	5/P	
19	6LE09140100	PWA-F-MOT2-390RV	1	1/C	
20	6LE09204000	HRNS-REV-MOT-390	1	1/P	
21	6LA05922000	GUIDE-REV-I-SUB	1	1/P	
22	6LA05628000	MYLAR-MOT-EXIT	1	5/KP	
24	6LE09169000	MOTRS-EXIT-390	1	1/C	
25	6LA05622000	K-BKT-MOT-EXIT	1	1/P	
26	6LA05627000	GEAR-10S021-06	1	1/P	
29	6LA05753000	K-BRKT-HIG-EX-L	1	1/P	
30	6LA05759000	BRKT-HIG-EX-STP	1	1/P	
33	6LA05918000	SEAL-REV-SW	1	5/P	
34	6LA14342000	MYLAR-GUIDE-ADU	1	1/KP	
101	X0-02589000	S/TPD3/FHEXM-4X8-ZU3	11	10/P	
102	X0-02217000	S/PAN/SWWP-M4X8-ZU3	2	10/P	
103	X0-00968000	RR/E-7-SS	4	10/P	
104	X0-02593000	S/TPD3/FHEXM-3X8-ZU3	15	10/P	
105	X0-02230000	S/FHEXM-M3X6-NI	4	10/P	
106	X0-00967000	RR/E-6-SS	2	10/P	
108	X0-00966000	RR/E-5-SS	1	10/P	

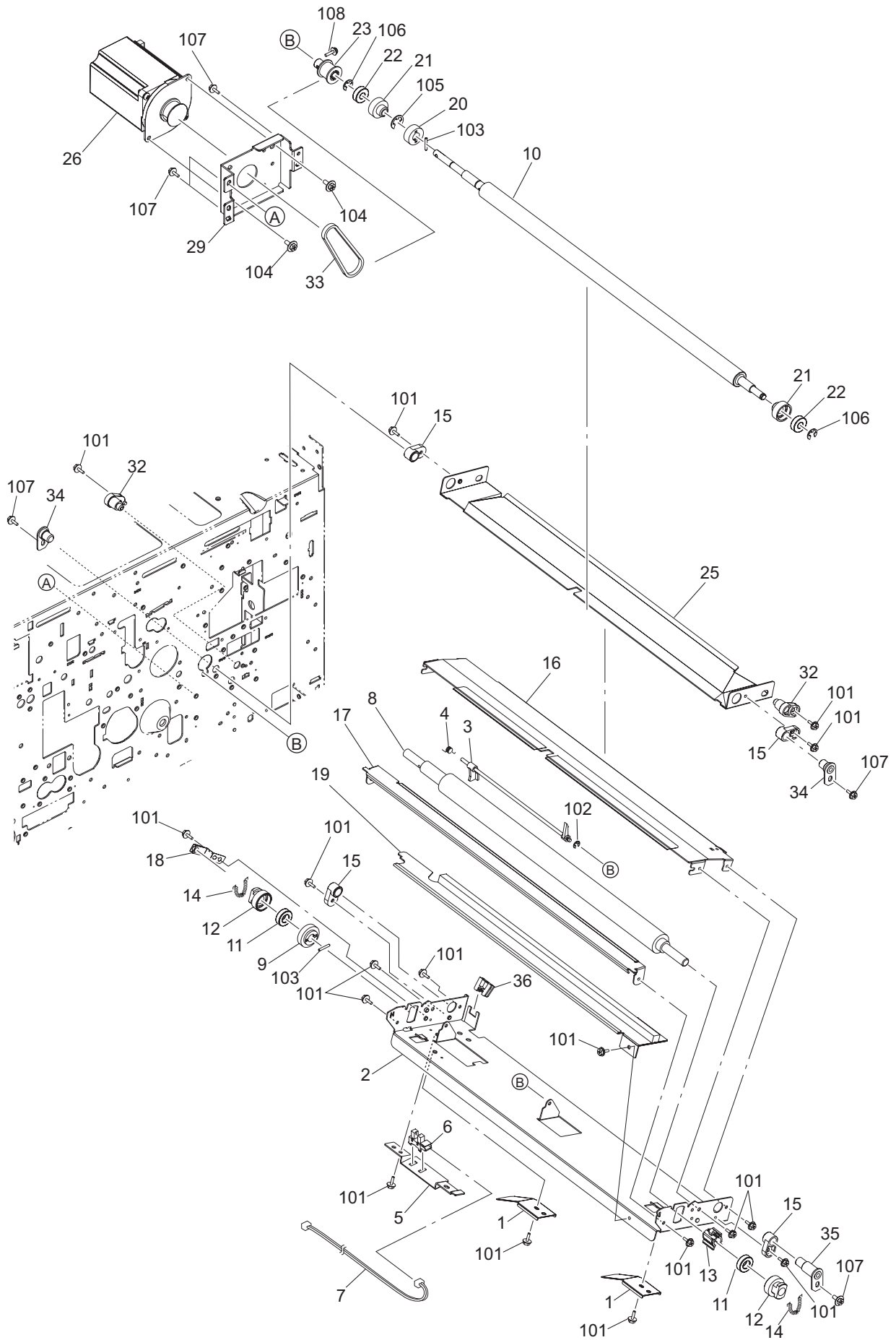


ITEM No.	PART No.	PART NAME	Q'TY / PAGE	Q'TY / PACK	REMARKS
2	F0-01243000	LWS-1211Z	4	5/P	
4	6LE03135000	ROLLER-EXIT-L-390	1	1/KP	
5	F0-01390000	LNR-1680HHRPOP15LY13	2	1/P	
6	6LA05664000	GEAR-10S019-08	1	1/P	
7	6LA05652000	K-BRKT-EXIT-U	1	1/P	
8	6LA05682000	GUIDE-REV-O-340	1	1/PP	
9	6LE03115000	ASYS-GUIDE-REV-MID	1	1/KP	
10	6LH73618000	GATE-H100	1	1/KP	
11	4407734980	BUSH-6-GCB	2	5/P	
12	6LH17925000	ARM-GATE-BR	1	1/P	
13	6LE05753000	CUSH-ARM-GATE-390	1	1/P	
14	X0-00980000	P/PRL/AH7-2X10-SS	1	10/P	
15	4407972860	STOP-RING-6-5	1	5/P	
17	6LA05744000	BRKT-HINGE-OP-L	1	1/P	
18	F0-00120000	ES-0505	2	5/P	
19	6LE05754000	ASY-ROL-EXIT-390	2	1/D	
21	6LA05658000	SPL-FUS-EX	1	1/P	
22	4406310100	ROL-12*10	1	5/P	
23	6LE03141000	SHAFT-4X22	1	1/P	
24	6LE05723000	ROLLER-IDLE-390	2	1/KP	
25	4407976990	BUSH-D6-GCB	4	1/P	
26	6LA05687000	SPRING-500-ADU	4	1/P	
27	6LE03137000	ASYS-BRKT-HIG-OP-U	1	1/P	
28	6LA05666000	GEAR-10S020-08	1	1/P	
29	6LE05752000	BRUSH-SUS-E-390	1	1/KP	
30	6LE03143000	ASY-ROL-EXT-U	4	1/P	
31	F0-01248000	ESC-0912	1	10/P	
32	6LA05696000	MYLAR-GUIDE-M39	2	1/P	
33	6LA05697000	MYLAR-GUIDE-M95	2	1/KP	
36	6LA05413000	RING-EXIT-24-W	2	5/P	
37	6LA15757000	BRKT-EXIT-U-COV	1	1/P	
101	X0-02592000	S/TPD3/FHEXM-3X6-ZU3	17	10/P	
102	X0-00964000	RR/E-3-SS	2	10/P	
103	X0-00966000	RR/E-5-SS	5	10/P	
104	X0-00965000	RR/E-4-SS	1	10/P	
105	X0-00968000	RR/E-7-SS	4	10/P	
106	X0-01526000	P/PRL/AH7-2X12-SS	1	10/P	
108	X0-02593000	S/TPD3/FHEXM-3X8-ZU3	3	10/P	

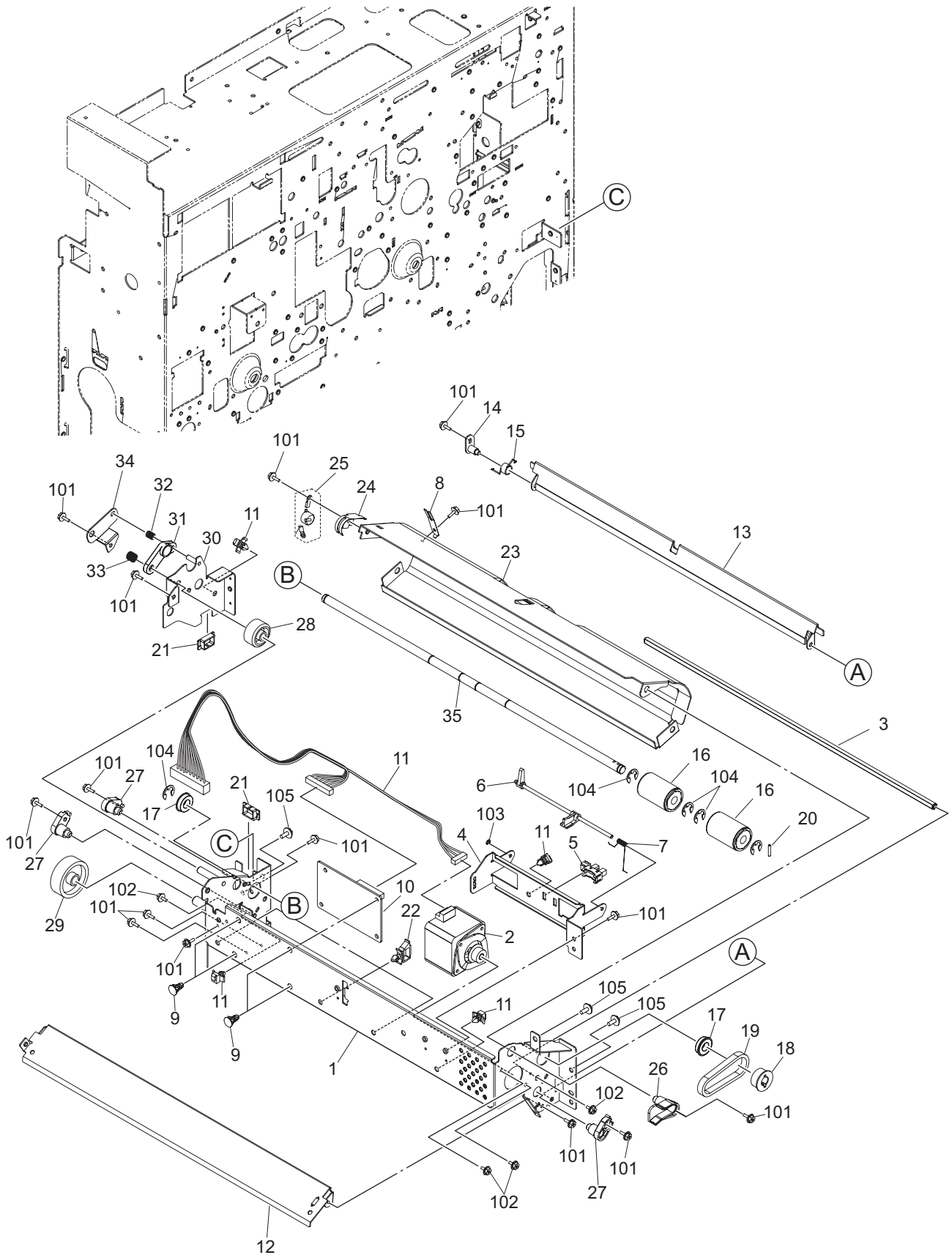


ITEM No.	PART No.	PART NAME	Q'TY / PAGE	Q'TY / PACK	REMARKS
1	6LA05706000	BRKT-SND-340	1	1/P	
2	6LE09192000	SOL-GATE-390	1	1/D	
3	6LA05704000	SPE-050-030-119	1	5/P	
4	6LH17995000	LINK-BR-SOL-430	1	1/P	
5	6LE03133100	HNDL-HOOK-EXIT-N	1	1/PP	
6	6LA05715000	SPC072-070-0135	2	5/P	
7	6LE03147000	BRKT-HNDL-EXIT-390	1	1/P	
8	6LA05716000	BRKT-STOP-EXIT	1	1/P	
9	6LA05717000	SPA-HNDL-EXIT	1	1/P	
10	6LE03148000	PUSHER-SW-REV-390A	1	1/P	
11	E0-01853000	CS1A-B2CA	1	1/D	
12	6LE09166000	FAND-8025-390	2	1/D	
13	6LE09604000	HRNS-REV-OPEN-390	1	1/P	
14	C0-10813000	GP1A73ARJ00F	2	1/P	
15	6LA05671000	BRKT-ACTR-REV	1	1/P	
16	6LA05668000	ACTR-REV	1	1/P	
17	6LA05674000	CUSH-ACTR-REV	1	5/P	
18	6LA05679000	PIN-ACTR-REV	1	5/P	
19	6LA05678000	SPA-ACTR	2	5/P	
20	6LE03126000	BRKT-ACTR-ADU-390	1	1/P	
21	6LA05675000	ACTR-ADU	1	1/P	
22	6LE05749000	CUSH-ACTR-STOP-390	1	1/P	
23	6LE03108000	PIN-ACTR	1	1/P	
24	6LA05655000	BRKT-EXIT-SW	1	1/P	
25	6LH69959000	SNSR-FED-RVS-H100	1	1/C	
26	6LA06574000	LBL-W-HOT-EXIT	1	1/KP	
27	6LA05792000	COVER-EXIT-OPEN	1	1/PP	
101	X0-02230000	S/FHEXM-M3X6-NI	2	10/P	
102	X0-02592000	S/TPD3/FHEXM-3X6-ZU3	11	10/P	
103	X0-02114000	S/TPS/PAN-4X32-ZU3	4	10/P	
104	X0-02115000	S/TP/FPAN2/S-3X8-NI	1	10/P	
105	6LA08934000	SCR-M4X8ITSR-NI	6	10/P	

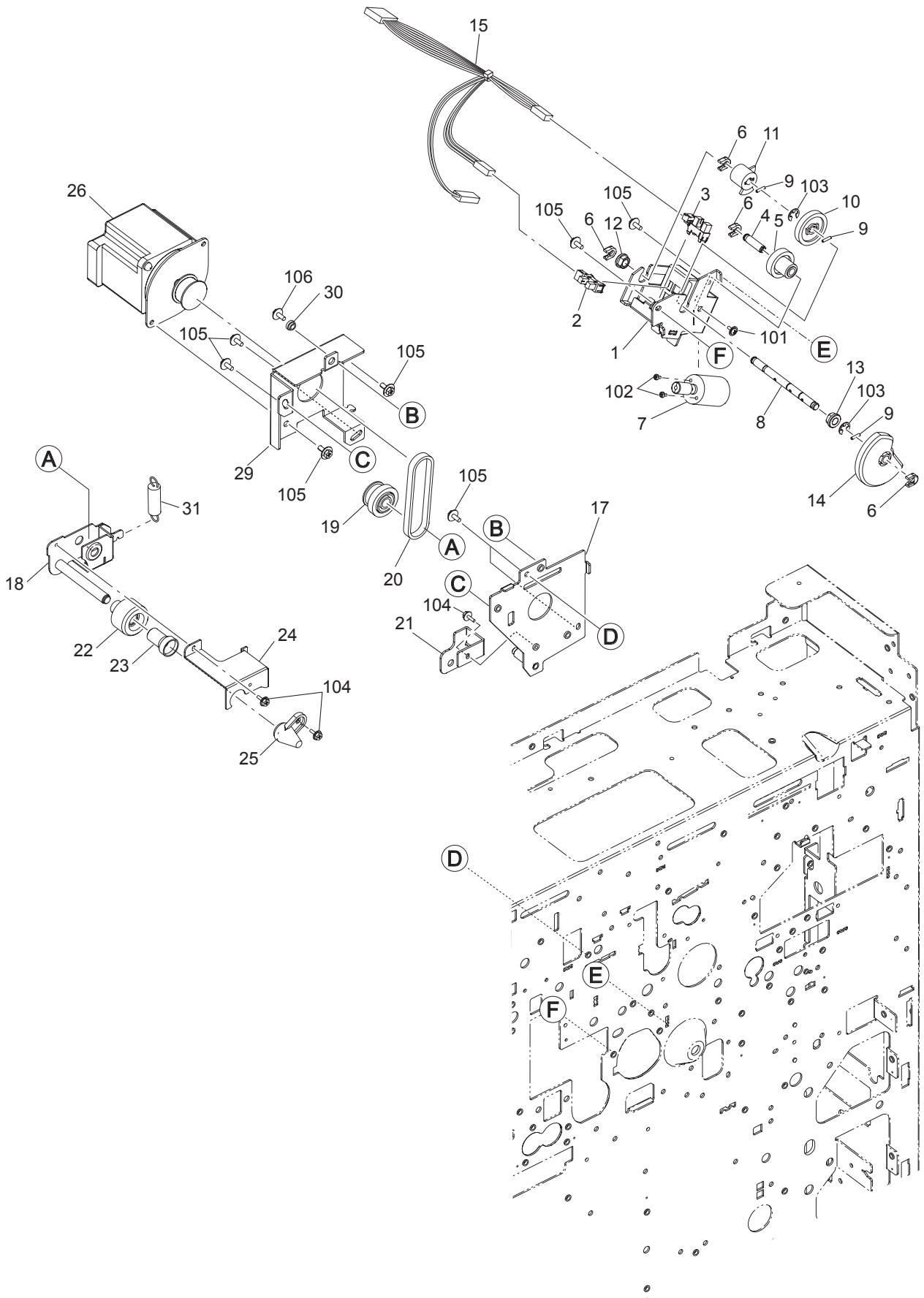




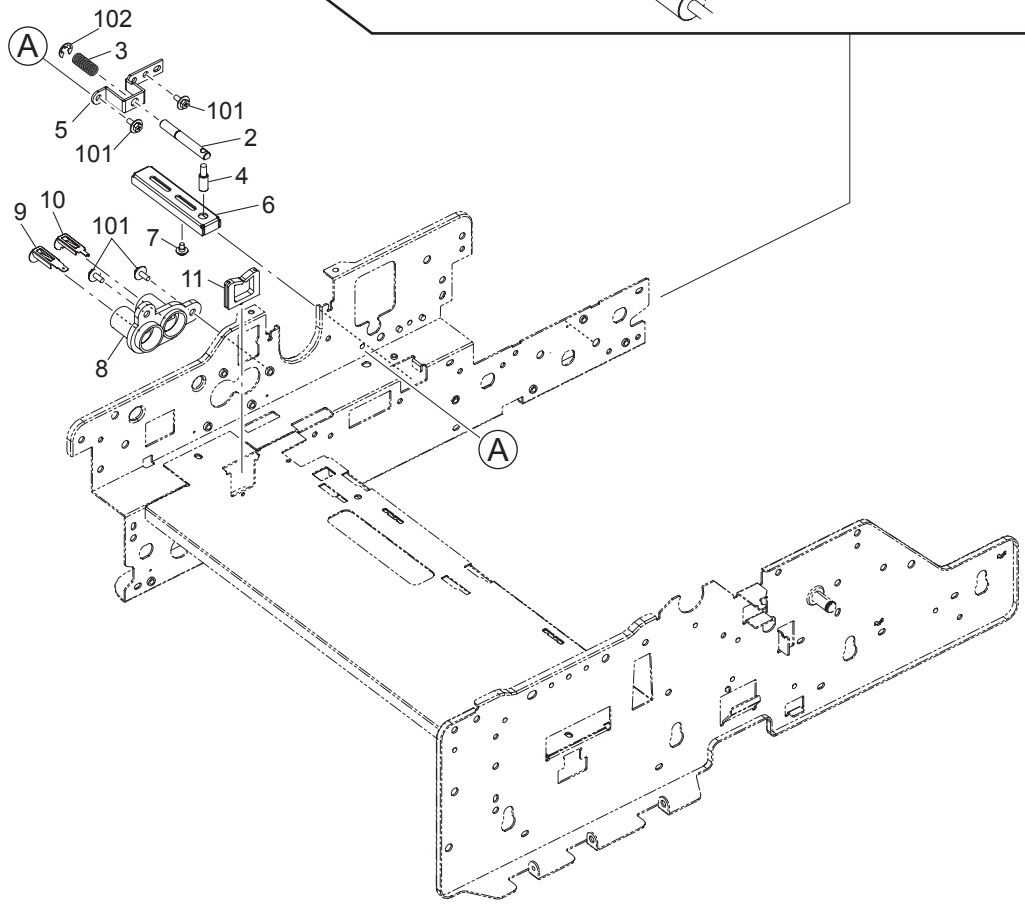
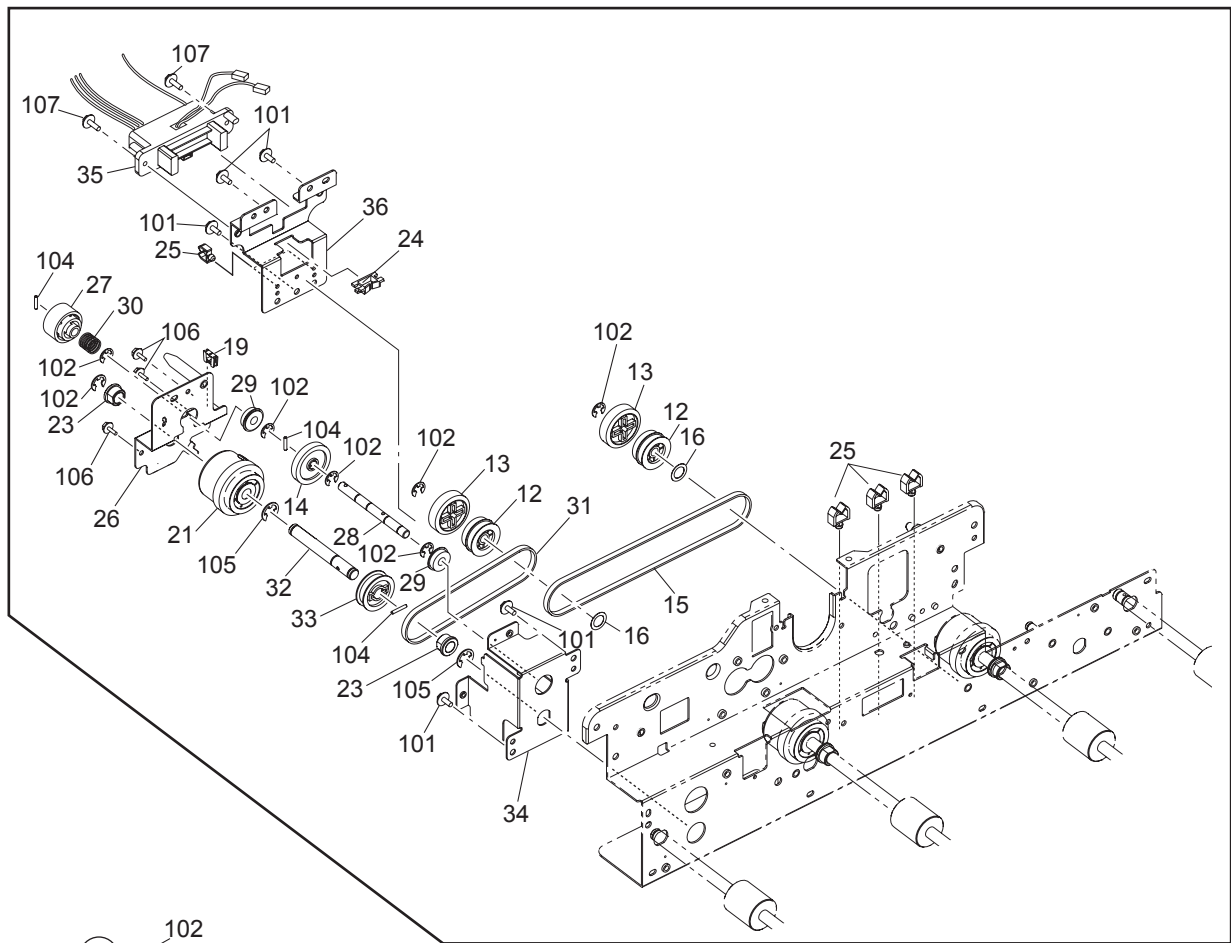
ITEM No.	PART No.	PART NAME	Q'TY / PAGE	Q'TY / PACK	REMARKS
1	4406349800	SPL-PUSH-RGST	2	1/P	
2	6LE05745000	FRAME-RGST-390	1	1/P	
3	6LA15024000	ACTUATOR-RGST-N	1	1/P	
4	4401772510	SPL-ACT-RGT	1	1/P	
5	6LA03326000	BRKT-SW-RGT-340	1	1/P	
6	C0-10813000	GP1A73ARJ00F	1	1/P	
7	6LE09602000	HRNS-RGTSW-390	1	1/P	
8	6LE05769000	ROL-RGST-D-390	1	1/KP	
9	4407547320	GEAR-0.8-25	1	1/P	
10	6LE05720000	ROLL-RGST-U-390	1	1/KP	
11	F0-00991000	L-1680HH	2	5/P	
12	4406349770	BUSH-RGST-D	2	1/P	
13	4406349790	CLIP-RGST	1	1/P	
14	6LA08949000	SPRING-1150	2	5/P	
15	4406349850	BUSH-RGST-UNIT	4	1/P	
16	6LA03335000	K-GUIDE-RGST-L	1	1/P	
17	4406349920	K-GUIDE-TR	1	1/KP	
18	4406349880	SPL-ROL-RGST	1	1/P	
19	6LE05767000	ASYS-BRK-BRS-RGT-L-390	1	1/KP	
20	4406349590	GEAR-08S020-08	1	1/P	
21	4406349550	BUSH-RGST-U	2	5/P	
22	F0-00023000	696T12ZZ1MC3E	2	1/P	
23	6LE05719000	PULLY-3GT16-06-390	1	1/P	
25	6LA03341000	GUIDE-RGST-U	1	1/P	
26	6LE09196000	MOTRS-RGT-390	1	1/C	
29	6LE05747000	BRKT-MOT-RGST-390	1	1/P	
32	4401772280	SUPPORT-GUIDE-P	2	1/P	
33	4406350060	BLT/T-174-3GT-4	1	1/P	
34	6LA03350000	K-JNT-GUIDE-U-S	2	1/P	
35	6LA03380000	K-JNT-RGT-FRT-R	1	1/P	
36	F0-00120000	ES-0505	1	5/P	
101	X0-02593000	S/TPD3/FHEXM-3X8-ZU3	17	10/P	
102	X0-00963000	RR/E-2-SS	1	10/P	
103	X0-01526000	P/PRL/AH7-2X12-SS	2	10/P	
104	X0-02235000	S/FHEXM-M4X8-NI	2	10/P	
105	X0-00968000	RR/E-7-SS	1	10/P	
106	X0-00966000	RR/E-5-SS	2	10/P	
107	X0-02589000	S/TPD3/FHEXM-4X8-ZU3	6	10/P	
108	X0-00094000	S/PAN/SWWP-M3X10-NI	1	10/P	



ITEM No.	PART No.	PART NAME	Q'TY / PAGE	Q'TY / PACK	REMARKS
1	6LE05701000	ASYS-FRM-TRANS	1	1/D	
2	6LE09520000	MOTRS-MT-390	1	1/C	
3	6LE05703000	SHAFT-TRANS	1	1/P	
4	6LE05706000	BRKT-ACTR-TRANS	1	1/P	
5	C0-10813000	GP1A73ARJ00F	1	1/P	
6	6LE05704000	ACTUATOR-TRANS	1	1/D	
7	6LE05770000	SPG-T-TRANS-ACTR	1	1/P	
8	6LA03543000	SPL-GUIDE-ROL2	1	1/P	
9	F0-00226000	KGLS-6RT	4	5/P	
10	6LE09140000	PWA-F-MOT2-390MT	1	1/C	
11	6LE09237000	HRNS-MIDTR-390	1	1/P	
12	6LA03557000	GUIDE-ADU-EX-L1	1	1/P	
13	6LA03558000	GUIDE-ADU-EX-L2	1	1/P	
14	6LA03584000	K-BKT-JNT-TRANS	1	1/P	
15	6LA03581000	SPRING-TRANS-R	1	5/P	
16	6LE05758000	ROLL-TRANS-390	2	1/P	
17	F0-01390000	LNR-1680HHRPOP15LY13	2	1/P	
18	6LA04720000	PLY/T-S2M-28-08	1	1/P	
19	6LE05713000	BLT_SY-S2M-124-6	1	1/P	
20	X0-01526000	P/PRL/AH7-2X12-SS	1	10/P	
21	F0-01248000	ESC-0912	2	10/P	
22	F0-00736000	LWS-0711Z	3	5/P	
23	6LE05717000	GUIDE-ROL-T-L-390	1	1/D	
24	6LE05746000	SPL-GUIDE-ROL1-390	1	1/D	
25	6LE09175000	K-VARIST-390	1	1/D	
26	6LE05712000	SUPPORT-GUIDE	1	1/P	
27	4401772280	SUPPORT-GUIDE-P	3	1/P	
28	6LA03552000	GEAR-10S021-06	1	1/P	
29	6LA03553000	GEAR-10S034-08	1	1/P	
30	6LE05708000	ASYS-BRKT-TRANS-G	1	1/D	
31	6LA03570000	CAP-STUD-SFB	1	1/P	
32	6LA03576000	SPC-064-060-0110	1	5/P	
33	6LA03575000	SPC-079-070-0110	1	5/P	
34	6LA03578000	BRKT-HOLD-SP	1	1/P	
35	6LE05759000	SHAFT-TRANS-390	1	1/P	
101	X0-02593000	S/TPD3/FHEXM-3X8-ZU3	15	10/P	
102	X0-02230000	S/FHEXM-M3X6-NI	4	10/P	
103	X0-00963000	RR/E-2-SS	1	10/P	
104	X0-00968000	RR/E-7-SS	5	10/P	
105	X0-02589000	S/TPD3/FHEXM-4X8-ZU3	3	10/P	

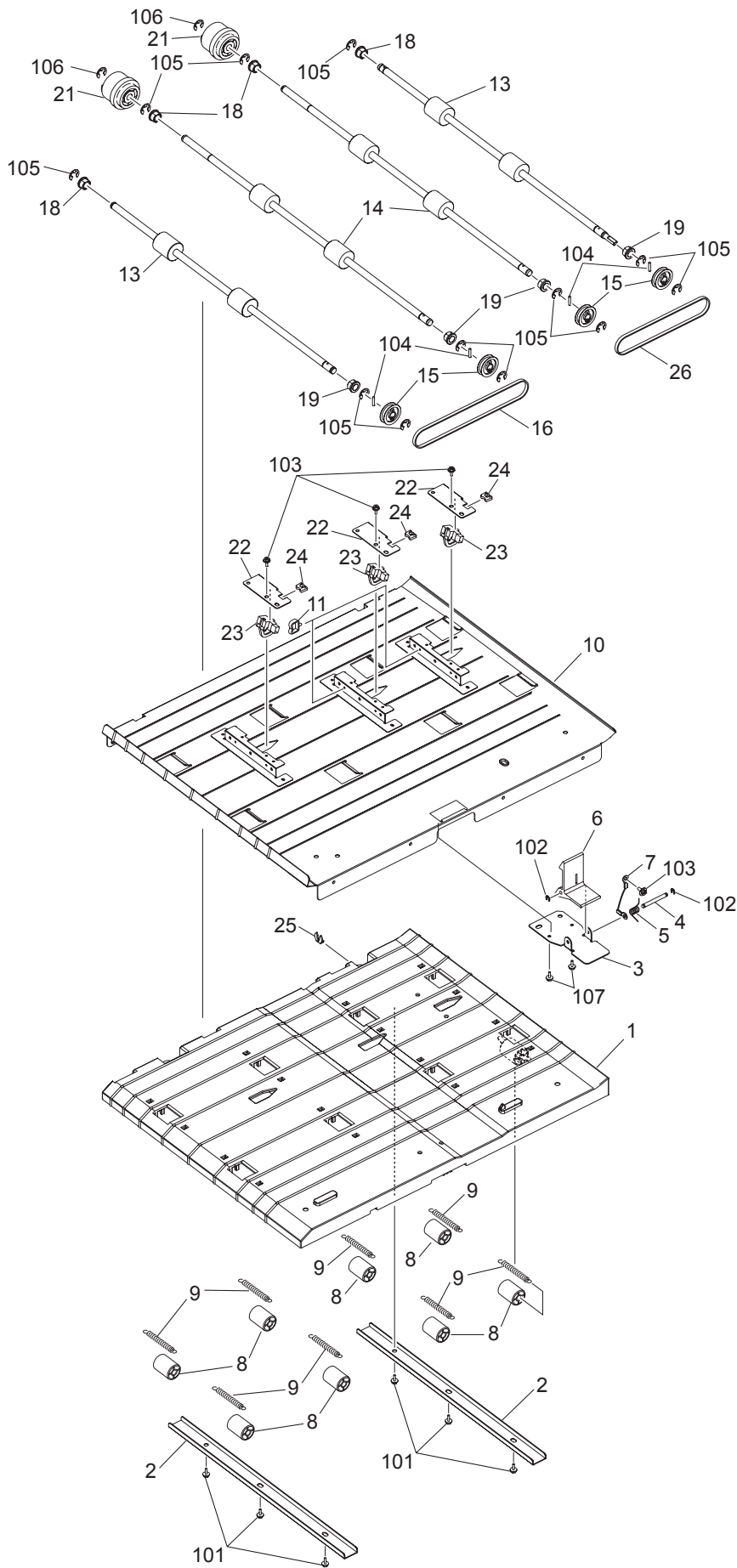


ITEM No.	PART No.	PART NAME	Q'TY / PAGE	Q'TY / PACK	REMARKS
1	6LE08814000	BRKT-CAM-MAIN-390	1	1/P	
2	C0-10813000	GP1A73ARJ00F	1	1/P	
3	C0-10814000	TLP1255(C8)	1	5/C	
4	4406339670	STUD-CAM	1	1/P	
5	4406339680	GG08H028/08S014	1	1/P	
6	4407972860	STOP-RING-6-5	4	5/P	
7	6LE09171000	MOTRD-CAM-390	1	1/D	
8	4406339640	SHAFT-CAM	1	1/P	
9	X0-00979000	P/PRL/AH7-2X8-SS	3	10/P	
10	4406339650	GEAR-08S035-06	1	1/P	
11	4406339660	ACTR-CAM	1	1/P	
12	44201492000	BUSH-6-POM	1	5/P	
13	4407734980	BUSH-6-GCB	1	5/P	
14	4406339630	CAM-LEVER-R	1	1/P	
15	6LE09260000	HRNS-TRU-CAM-390	1	1/P	
17	6LA03005000	ASYS-BASE-D-TRU	1	1/P	
18	6LA03010000	ASYS-DRV-J-TRU	1	1/P	
19	4406340090	K-GP10H24/3GT21	1	1/P	
20	4401906540	BLT/T-3GT180-60	1	1/P	
21	6LA03015000	BRKT-STUD-DRV	1	1/P	
22	4406340060	K-GR-10H024-08B	1	1/P	
23	4406339970	IDLER-DRV-TRU	1	1/P	
24	6LA03013000	BRKT-DRIVE-CAP	1	1/P	
25	4406339980	CAP-IDLE-DRV	1	1/P	
26	6LE09170000	MOTRS-TRU-390	1	1/C	
29	6LE08815000	BRKT-MOT-TRU-390	1	1/P	
30	4408302680	BUSH-BRKT-SCAN	1	5/P	
31	4406340030	SPE100-100-0335	1	5/P	
101	X0-02235000	S/FHEXM-M4X8-NI	1	10/P	
102	X0-00286000	S/PAN-M2.6X4-SS	2	10/P	
103	X0-00966000	RR/E-5-SS	2	10/P	
104	X0-02593000	S/TPD3/FHEXM-3X8-ZU3	3	10/P	
105	X0-02589000	S/TPD3/FHEXM-4X8-ZU3	8	10/P	
106	X0-02591000	S/TPD3/FHEXM-4X12-ZU3	1	10/P	

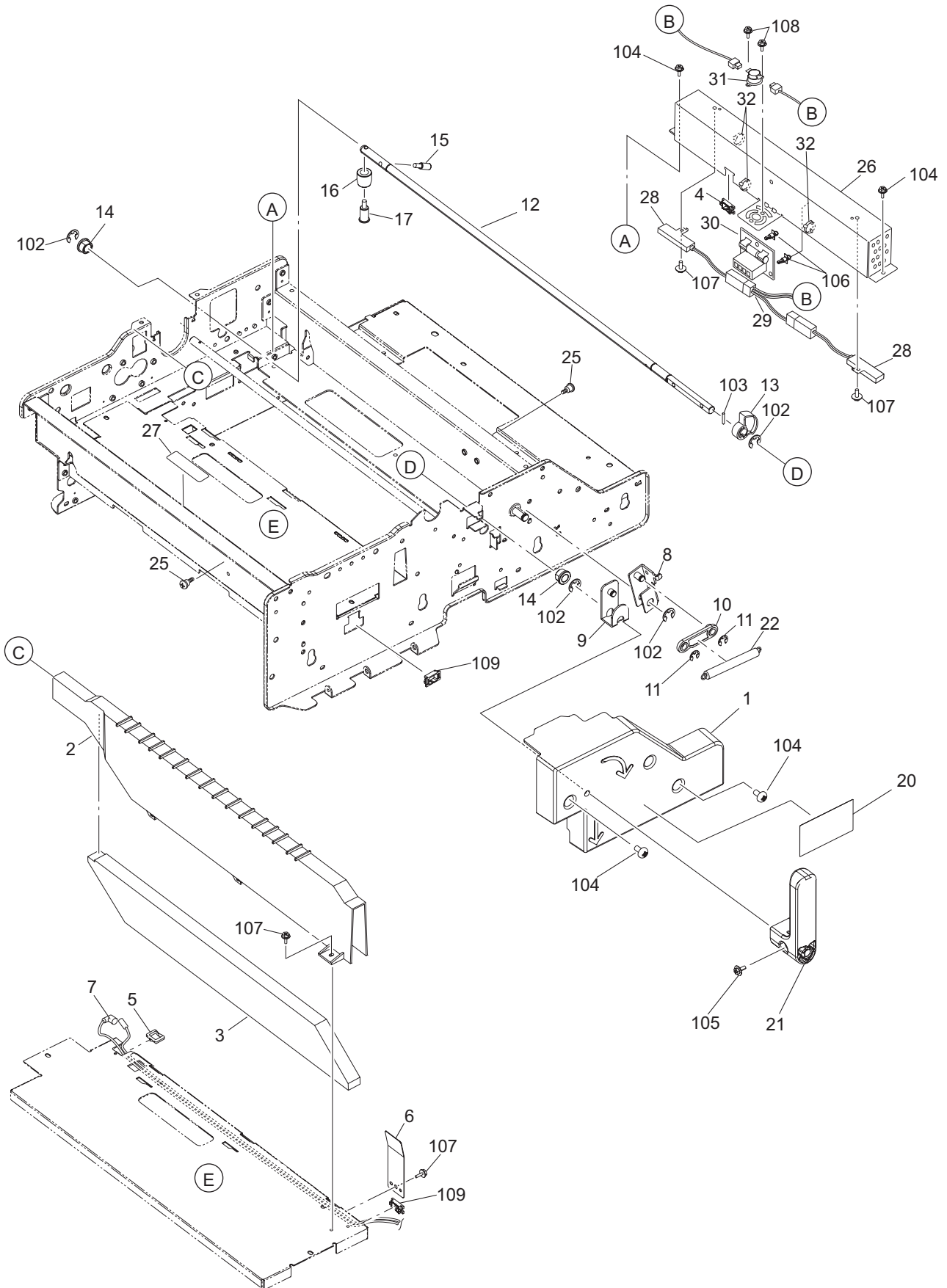


ITEM No.	PART No.	PART NAME	Q'TY / PAGE	Q'TY / PACK	REMARKS
2	6LE08848000	SHAFT-LOCK-HDL-390	1	1/P	
3	4406337960	SPC089-070-0200	1	5/P	
4	4406338130	SCREW-STOP-H	1	10/P	
5	4406338420	BRKT-STOP-SFT	1	1/P	
6	4406338400	ACTR-STOP-SFT	1	1/P	
7	6LA08932000	SCREW-ACTR-TRU	1	10/P	
8	4406337970	TERMINAL-TRU	1	1/P	
9	4406337980	PLATE-TERM-TRU1	1	1/P	
10	4406338010	PLATE-TERM-TRU2	1	1/P	
11	F0-00047000	EDS-1717U	1	10/P	
12	4406546980	PLY/T-3GT25TWIN	2	1/P	
13	4406546990	GEAR10S28-06TWN	2	1/P	
14	4406342080	GEAR-10S028-06	1	1/P	
15	6LA06121000	BLT/T-375-3GT-4	1	1/P	
16	6LA06340000	WAS-06-95-Z13-P	2	10/P	
19	F0-00120000	ES-0505	1	5/P	
21	6LA15184000	CLUCH-G28-08D	1	1/D	
23	6LH23442000	BUSH-8X12X8F-NU4	2	5/P	
24	F0-01248000	ESC-0912	1	10/P	
25	F0-01250000	MSB-1207	4	5/P	
26	6LE08846000	ASYS-PLT-CPG-TR	1	1/P	
27	6LA06320000	CPG-DRIVE-TRANS	1	1/P	
28	6LE08857000	SHAFT-CPG-TRANS	1	1/P	
29	F0-01482000	RNR-1560ZZRP0P24LY121	2	1/P	
30	6LA06330000	SPC098-080-150	1	5/P	
31	6LA06120000	BLT/T-249-3GT-4	1	1/P	
32	6LA14346000	SHAFT-CLH-CPG	1	1/P	
33	6LA06337000	PLY/T-3GT025-08	1	1/P	
34	6LE08843000	BRKT-CPG-TRS-390	1	1/P	
35	6LE09132000	HRNS-ADU-390	1	1/P	
36	6LE08842000	BRKT-CNT-TR-390	1	1/P	
101	X0-02589000	S/TPD3/FHEXM-4X8-ZU3	9	10/P	
102	X0-00966000	RR/E-5-SS	8	10/P	
104	X0-01526000	P/PRL/AH7-2X12-SS	3	10/P	
105	X0-00967000	RR/E-6-SS	2	10/P	
106	6LA08935000	SCR-M3X6BISR-NI	3	10/P	
107	X0-02591000	S/TPD3/FHEXM-4X12-ZU3	2	10/P	

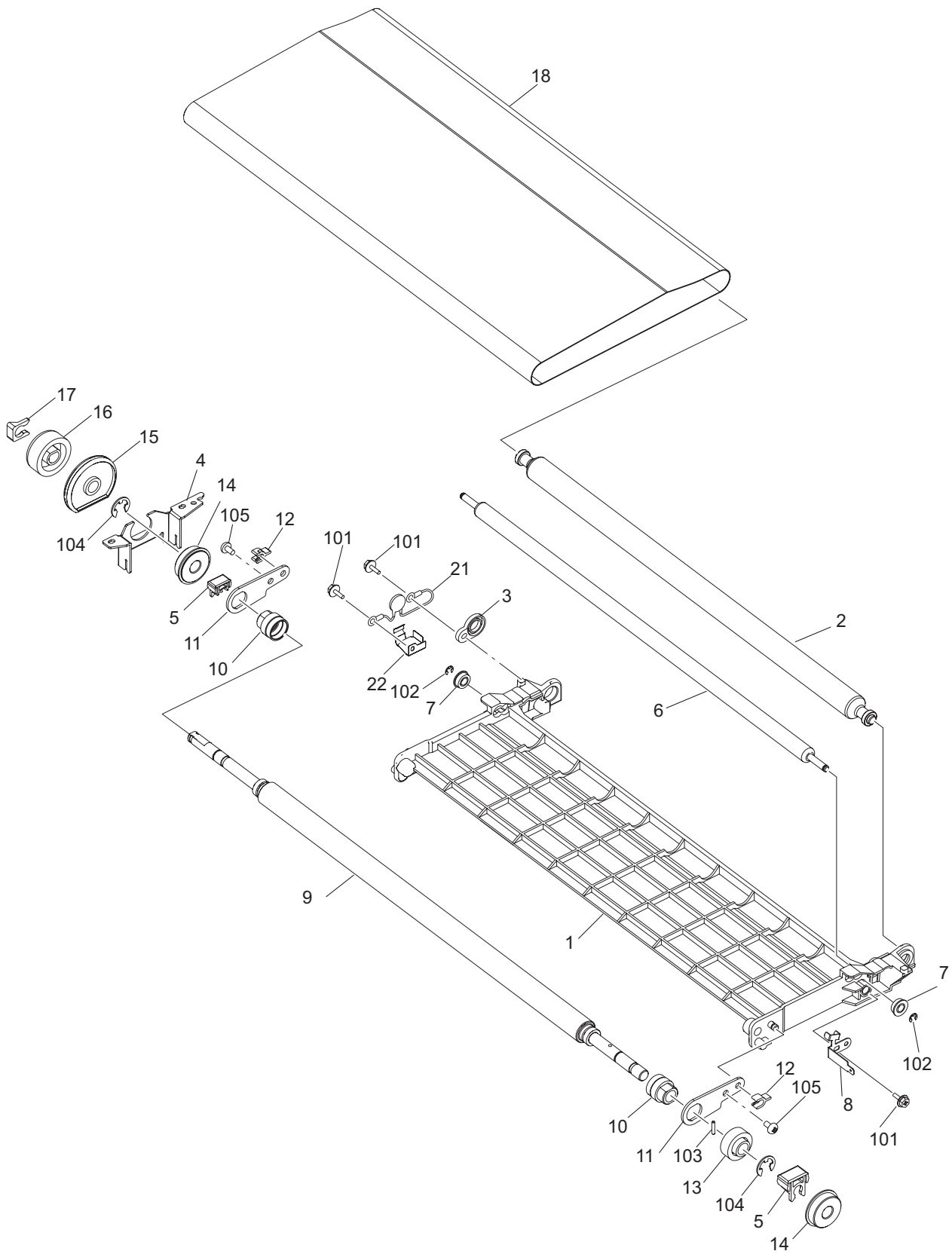




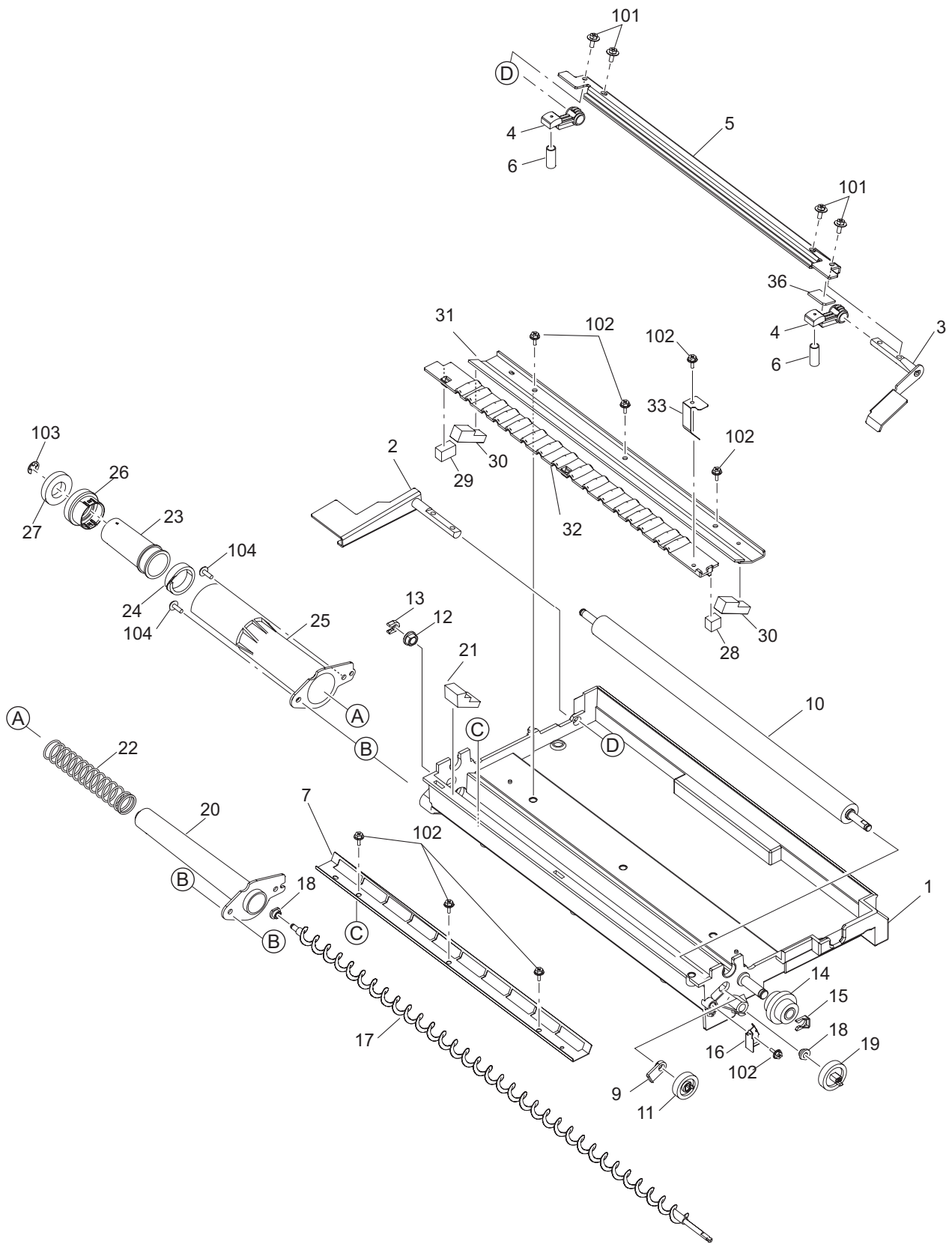
ITEM No.	PART No.	PART NAME	Q'TY / PAGE	Q'TY / PACK	REMARKS
1	6LA06213000	GUIDE-OPEN-340	1	1/PP	
2	6LA06228000	BRKT-STAY-OPEN	2	1/P	
3	6LA06225000	PLATE-GUIDE-OP	1	1/P	
4	6LE08847000	SHAFT-LEVER-390	1	1/P	
5	4406343100	SPA057-080-R	1	5/P	
6	6LE03117000	LEVER-LOCK-GUIDE	1	1/P	
7	4406343120	WIRE-GUIDE-OPEN	1	1/P	
8	6LA06220000	RLR-TRANS-22	8	1/P	
9	6LE03139000	SPG-E-5R2XR7X47R2	8	1/P	
10	6LE08845000	ASYS-GUIDE-TR-390	1	1/P	
11	F0-01250000	MSB-1207	2	5/P	
13	6LE03403000	RLR-PASS-TR-1	2	1/KP	
14	6LE03114000	RLR-PASS-TR-2	2	1/KP	
15	6LA06337000	PLY/T-3GT025-08	4	1/P	
16	6LA06123000	BLT/T-366-3GT-4	1	1/P	
18	6LH23442000	BUSH-8X12X8F-NU4	4	5/P	
19	4400802080	BUSH-8	4	5/P	
21	6LA15184000	CLUCH-G28-08D	2	1/D	
22	6LA06185000	BRKT-SENSOR-TR	3	1/P	
23	6LH69960000	SNSR-FED-H100	1	1/C	
24	F0-00120000	ES-0505	3	5/P	
25	44201801000	STOP-RING-6-1.5	1	5/P	
26	6LA06124000	BLT/T-303-3GT-4	1	1/P	
101	X0-02247000	S/TPP/FHEXM-3X8-NI	6	10/P	
102	X0-00964000	RR/E-3-SS	2	10/P	
103	X0-02589000	S/TPD3/FHEXM-4X8-ZU3	3	10/P	
104	X0-01526000	P/PRL/AH7-2X12-SS	4	10/P	
105	X0-00968000	RR/E-7-SS	12	10/P	
106	X0-00966000	RR/E-5-SS	2	10/P	
107	X0-01989000	S/TPP/BID-3X8-NI	2	10/P	



ITEM No.	PART No.	PART NAME	Q'TY / PAGE	Q'TY / PACK	REMARKS
1	6LE08805000	COVER-IN-TRU	1	1/P	
2	6LA02792000	DUCT-TRU	1	1/PP	
3	6LE16206000	SEAL-TRU-CR	1	1/KP	
4 B	F0-01248000	ESC-0912	2	10/P	ASD,ASU,AUD,ARD,SAD
5	F0-00047000	EDS-1717U	1	10/P	
6	6LA02793000	PL-EARTH-C-SUB	1	1/P	
7	6LE09616000	HRNS-HVT-TR2-390	1	1/P	
8	6LA02812000	ASYS-BRKT-LNK-F	1	1/P	
9	6LA02815000	ASYS-BRKT-LNK-H	1	1/P	
10	4406338380	PLATE-LINK-H	1	1/P	
11	X0-00966000	RR/E-5-SS	2	10/P	
12	6LE08828000	SHAFT-HANDLE-TRU	1	1/P	
13	6LA02804000	CAM-F-TRU	1	1/P	
14	4400802080	BUSH-8	2	5/P	
15	4406338130	SCREW-STOP-H	1	10/P	
16	4406339490	COLLAR-STP-HDL	1	1/P	
17	4406339500	SCREW-HANDLE	1	10/P	
20	6LE08818000	LBL-ADU-OPEN	1	1/KP	
21	6LE08801000	HANDLE-TRU-390	1	1/P	
22	4406338300	SPE080-100-0530	1	5/P	
25	6LA02823000	SCREW-RAIL-TRU	2	5/P	
26 B	6LA02845000	BRKT-DH-L-340	1	1/P	ASD,ASU,AUD,ARD,SAD
27 A	6LE08831000	LBL-W-HOT-STAY-390	1	5/P	ASD,ASU,AUD,ARD,SAD
28 B	E0-10980000	HF05N132	2	1/D	SAD
28 C	E0-10981000	HF05N442	2	1/D	ASD,ASU,AUD,ARD
29 B	6LA07432000	HRNS-DHT-L-340	1	1/P	ASD,ASU,AUD,ARD,SAD
30 B	6LE09411100	PWA-F-FUS-390UE	1	1/C	ASD,ASU,AUD,ARD,SAD
31 B	6LE71198000	THRMST-CS-7SA	1	1/C	ASD,ASU,AUD,ARD,SAD
32 B	F0-00021000	SKB-80MZ	3	10/P	ASD,ASU,AUD,ARD,SAD
101	X0-02593000	S/TPD3/FHEXM-3X8-ZU3	3	10/P	
102	X0-00968000	RR/E-7-SS	3	10/P	
103	X0-01526000	P/PRL/AH7-2X12-SS	1	10/P	
104	X0-02589000	S/TPD3/FHEXM-4X8-ZU3	4	10/P	
105	X0-02235000	S/FHEXM-M4X8-NI	1	10/P	
106 B	F0-00340000	SPLSN-4U	3	5/P	ASD,ASU,AUD,ARD,SAD
107	X0-02592000	S/TPD3/FHEXM-3X6-ZU3	2	10/P	
108 B	X0-00676000	S/TPS/BID-3X6-NI	2	10/P	ASD,ASU,AUD,ARD,SAD
109	F0-01248000	ESC-0912	1	10/P	

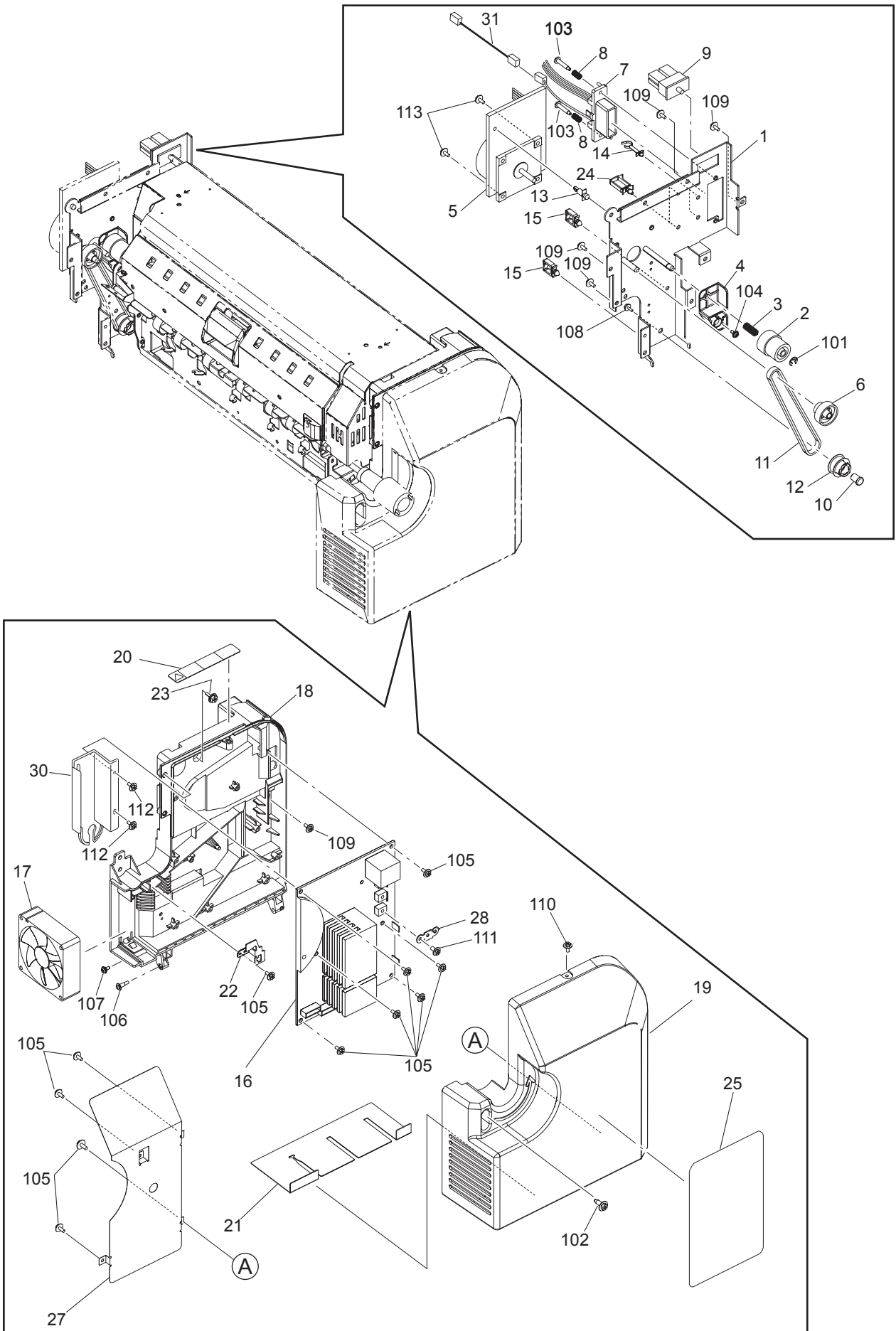


ITEM No.	PART No.	PART NAME	Q'TY / PAGE	Q'TY / PACK	REMARKS
1	6LE08859000	ASYS-HSG-R-TRU-390	1	1/PP	
2	6LA15088000	K-ROL-IDEL-340-TRU	1	1/KP	
3	6LA02969000	CAP-IDLE-TRU	1	1/P	
4	6LE08865000	BRKT-BRG-R-TRU-390	1	1/P	
5	4406338760	CLIP-RING-8	2	5/P	
6	6LE08829000	RLR-SUPPORT-TRU	1	1/KP	
7	F0-01378000	DDLF-840ZZHPOP25LY349	2	5/P	
8	6LE08820000	PLATE-BIAS-TRU-390	1	1/P	
9	6LE08824000	ASYS-ROL-DRV-TRU	1	1/KP	
10	6LA02974000	BUSH-ROL-D-TRU	2	5/P	
11	4406338640	PLATE-RLR-DRIVE	2	1/P	
12	4408354010	STOPPER-REAR	2	1/P	
13	4406338650	GEAR-08-H021-08	1	1/P	
14	F0-01388000	608ZZNR2KS	2	1/P	
15	4406338660	RLR-GUIDE-JOINT	1	1/P	
16	4406338770	GEAR-10H024-08	1	1/P	
17	4400336190	STOP-RING-8	1	5/P	
18	6LA23065000	BT-6510TR	1	1/S	
21	6LE04129000	ASYS-VRST-510	1	1/D	
22	6LE08826000	SPG-F-EARTH-TRU	1	1/P	
101	X0-02231000	S/FHEXM-M3X8-NI	3	10/P	
102	X0-00964000	RR/E-3-SS	2	10/P	
103	X0-01526000	P/PRL/AH7-2X12-SS	1	10/P	
104	X0-00968000	RR/E-7-SS	2	10/P	
105	X0-02235000	S/FHEXM-M4X8-NI	2	10/P	

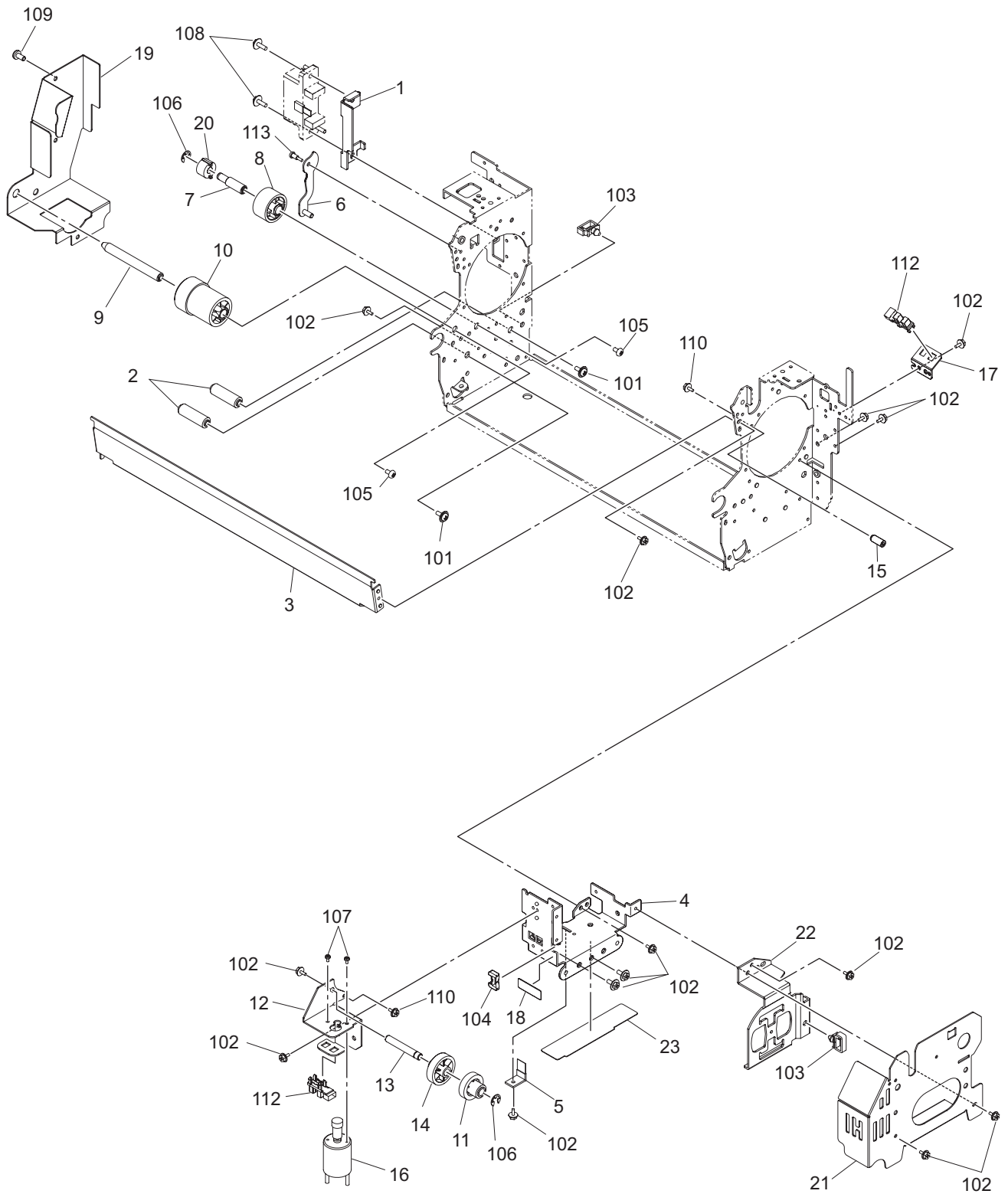


ITEM No.	PART No.	PART NAME	Q'TY / PAGE	Q'TY / PACK	REMARKS
1	6LE08858000	K-CASE-TRU	1	1/PP	
2	4406339450	K-LEVER-CAM	1	1/P	
3	6LA02905000	ASYS-LVR-HANDLE	1	1/P	
4	4406339420	ARM-BELT-TRU	2	1/P	
5	4406339410	HOLDER-ARM-TRU	1	1/P	
6	6LA08948000	SPC075-080-0315	2	5/P	
7	6LA02918000	SCRPR-BRUSH-TRU	1	1/P	
9	4406338940	BUSH-BRS-F-TRU	1	1/P	
10	6LA23070000	B-6510TR	1	1/S	
11	4406338950	GEAR-08H025-06	1	1/C	
12	6LA02922000	BUSH-0612-D6F-M	1	5/P	
13	4407972860	STOP-RING-6-5	1	5/P	
14	4406339300	GG08H021/08H031	1	1/P	
15	4400336190	STOP-RING-8	1	5/P	
16	4406338960	PLATE-BRS-TRU	1	1/P	
17	6LE08800000	AUGER-TRU-390	1	1/P	
18	6LA02920000	BUSH-0410-05F-M	2	5/P	
19	4406339280	GEAR-08H028-04	1	1/P	
20	4406339230	NOZZLE-TRU-IN	1	1/P	
21	6LE08816000	SEAL-BLADE-RER-SUB	1	1/D	
22	4406339690	SPC249-100-1220	1	1/P	
23	4406339510	SHTR-NZL-TRU	1	1/P	
24	4406339520	SEAL-SHTR-TRU	1	5/P	
25	4406339240	NOZZLE-TRU-OUT	1	1/P	
26	4406339530	HLDR-S-NZL-TRU	1	1/P	
27	4406339250	SEAL-NOZZLE-TRU	1	5/P	
28	4406339390	SEAL-F-TRU	1	1/P	
29	4406339400	SEAL-R-TRU	1	5/P	
30	6LA02917000	SEAL-BLADE-TRU	2	5/P	
31	6LH72622000	BL-8550TR	1	1/S	
32	4406338970	K-GUIDE-C-TRU	1	1/KP	
33	6LA02919000	SPL-EARTH-G-C	1	1/P	
36	6LA02907000	SPACER-ARM-TRU	1	5/P	
101	X0-02235000	S/FHEXM-M4X8-NI	4	10/P	
102	X0-02230000	S/FHEXM-M3X6-NI	8	10/P	
103	X0-00964000	RR/E-3-SS	1	10/P	
104	X0-02252000	S/TPP/FHEXM-4X10-NI	2	10/P	

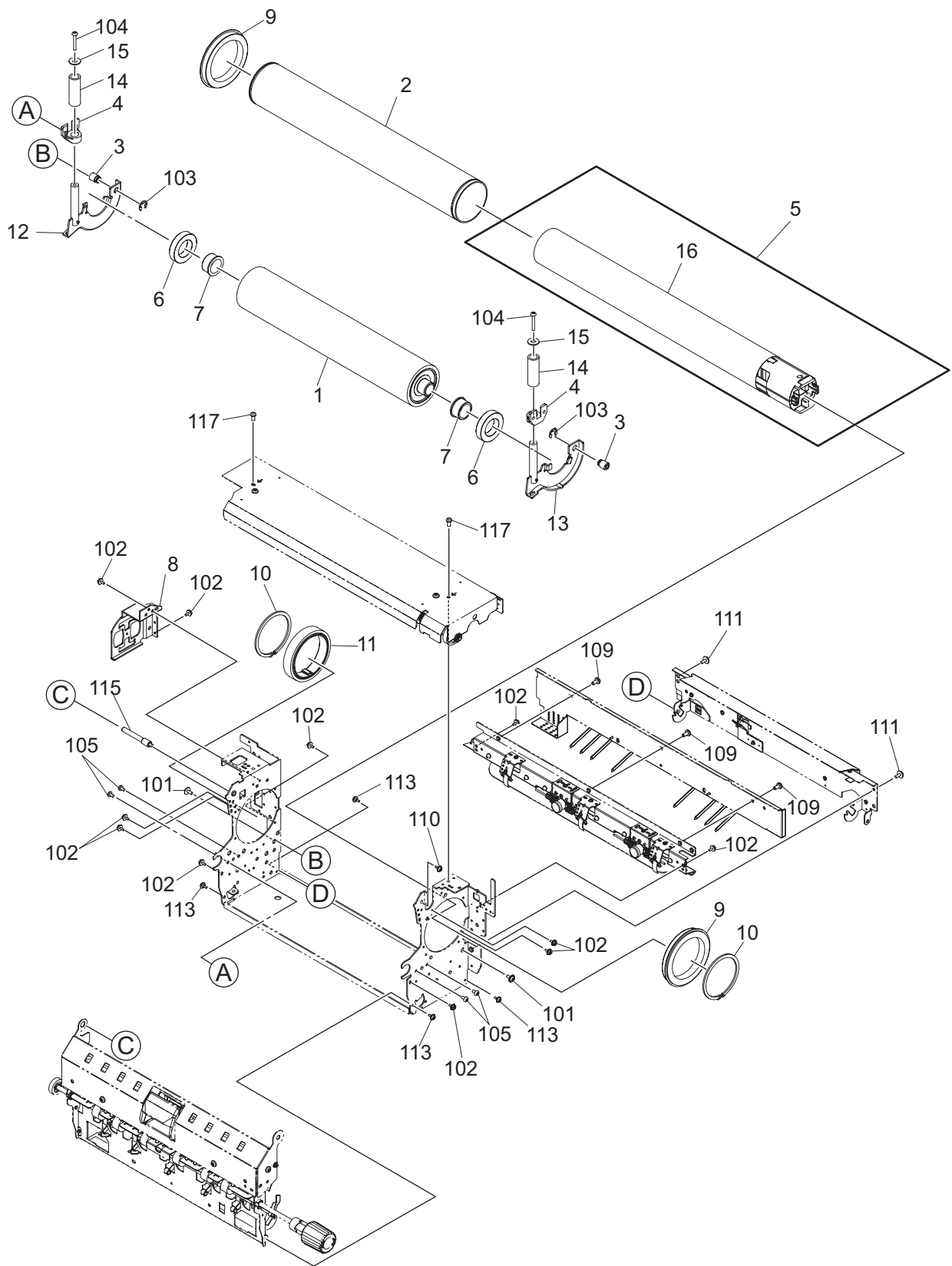




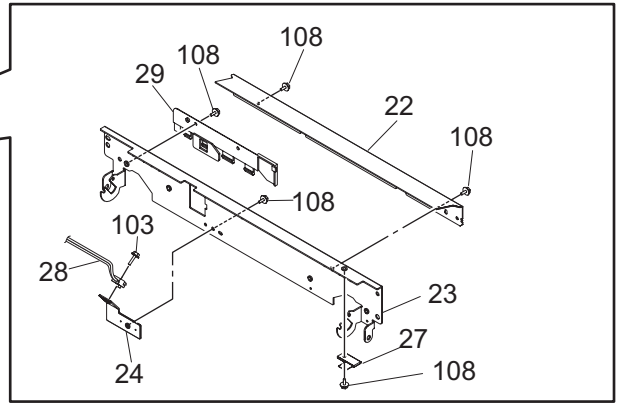
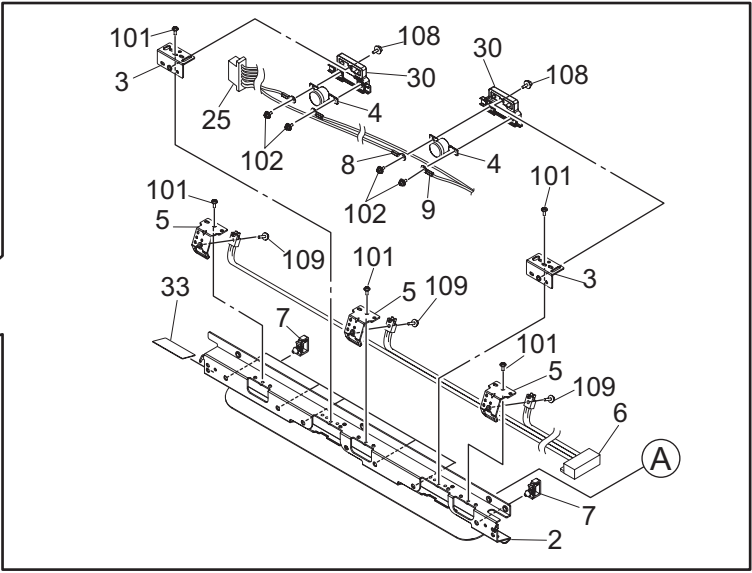
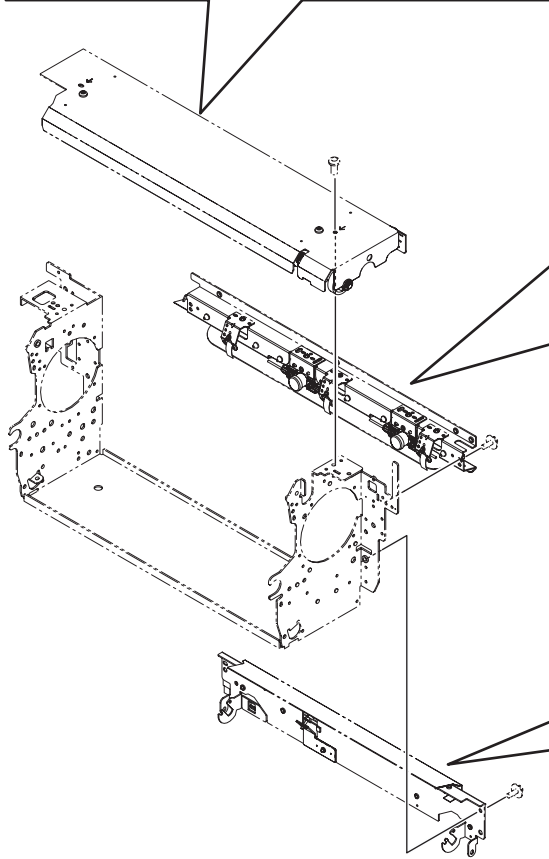
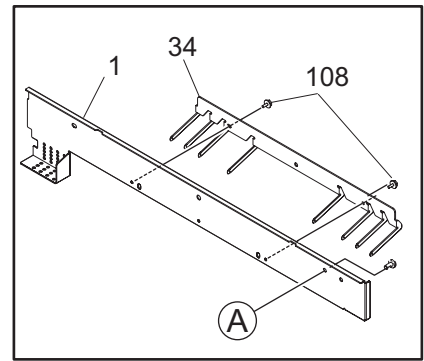
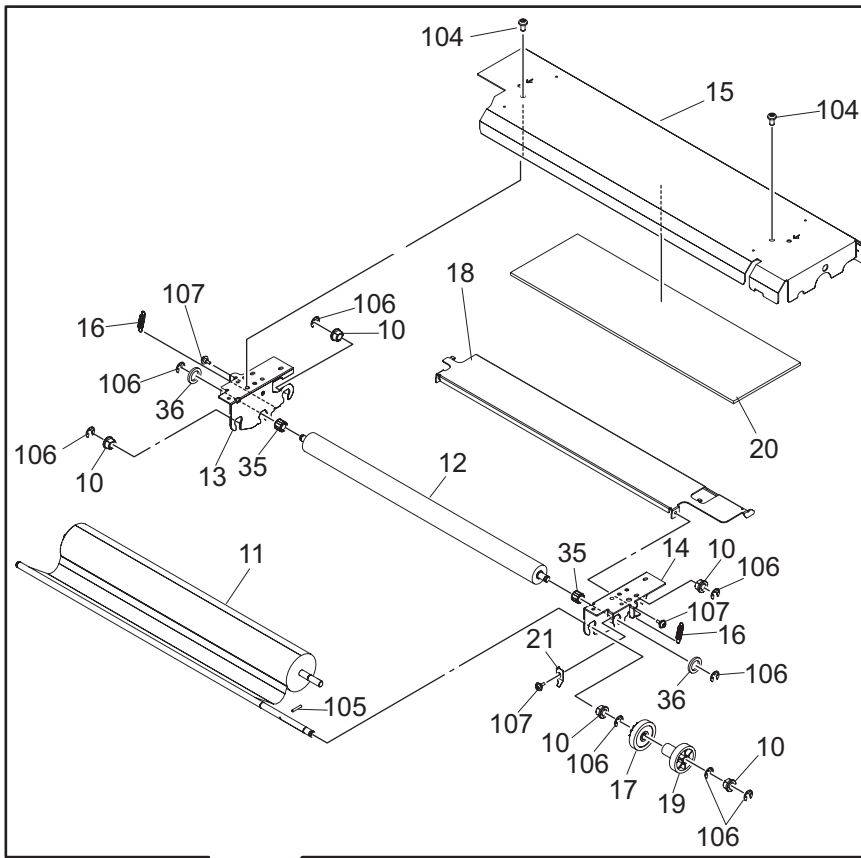
ITEM No.	PART No.	PART NAME	Q'TY / PAGE	Q'TY / PACK	REMARKS
1	6LA05484000	K-BRKT-FUS-MOT	1	1/P	
2	4406325850	K-GR10S23/05H50	1	1/P	
3	4363260910	SPC-075-055-200	1	5/P	
4	6LA05500000	COVER-FUS-GEAR	1	1/P	
5	6LE09157000	MOTRD-HTR-390	1	1/C	
6	6LE03100000	GEAR-5H50_P3GT17-6	1	1/P	
7	6LE09788000	HRNS-LGC-FUS-390	1	1/P	
8	6LA14468000	SPC068-080-160	2	5/P	
9	E0-08333000	AGX206F	1	1/D	
10	6LA05488000	STUD-ADU-CUP	1	1/P	
11	6LE03101000	BLT_SY-3GT-339-6	1	1/P	
12	6LA05494000	PLY/T-3GT021-06	1	1/P	
13	F0-00340000	SPLSN-4U	1	5/P	
14	F0-00838000	HL-28-0-V0	2	1/P	
15	F0-01243000	LWS-1211Z	2	5/P	
16 A	6LE06718000	ASYS-PS-IH-390U	1	1/C	NAD
16 B	6LE06718400	ASYS-PS-IH-H100E	1	1/C	MJD,ASD,ASU,AUD,ARD
16 C	6LE06718300	ASYS-PS-IH-390S	1	1/C	SAD
17	6LE09166000	FAND-8025-390	1	1/D	
18	6LE06722000	ASYS-DUCT-FUS-PWA-390	1	1/PP	
19	6LE06624000	COV-PWA-IH	1	1/P	
20	6LA06571000	LBL-W-HOT-340	1	1/KP	
21	6LE06691000	PLATE-COVER-IH	1	1/KP	
22	6LA05538000	BRKT-IH-FAN	1	1/P	
23	X0-02593000	S/TPD3/FHEXM-3X8-ZU3	1	10/P	
24	F0-01299000	LWS-2111Z	2	1/P	
25	6LE13137000	LBL-FUS-TNR-IN	1	1/KP	
27 B	6LE06692000	SHIELD-IH	1	1/KP	MJD,ASD,ASU,AUD,ARD
28	6LA05537000	BRKT-IH-GND	1	1/P	
30	6LE06648000	ASYS-DUCT-FUS-L-390	1	1/PP	
31	6LE09915000	HRNS-DH-CONNECT-390	1	1/P	
101	X0-00966000	RR/E-5-SS	1	10/P	
102	6LA14330000	S/TPS/HEX/R-M4X12	1	10/P	
103	4406326040	SCREW-D4-18-M3	2	10/P	
104	6LH36359000	SCREW-M3-D4X2.3	1	10/P	
105 A	X0-02247000	S/TPP/FHEXM-3X8-NI	7	10/P	NAD,SAD
105 B	X0-02247000	S/TPP/FHEXM-3X8-NI	11	10/P	MJD,ASD,ASU,AUD,ARD
106	6LE06667000	SCREW-M3-D4-7-ZU3	1	5/P	
107	6LH36358000	SCREW-M3-D3.5X5.5	1	10/P	
108	X0-02235000	S/FHEXM-M4X8-NI	1	10/P	
109	X0-02589000	S/TPD3/FHEXM-4X8-ZU3	5	10/P	
110	X0-02230000	S/FHEXM-M3X6-NI	1	10/P	
111	X0-02217000	S/PAN/SWWP-M4X8-ZU3	1	10/P	
112	X0-00434000	S/BID-M3X8-NI	2	10/P	
113	X0-02590000	S/TPD3/FHEXM-4X10-ZU3	2	10/P	



ITEM No.	PART No.	PART NAME	Q'TY / PAGE	Q'TY / PACK	REMARKS
1	6LA14365000	SPACER-DRW-CNCT	1	1/P	
2	4406324600	STUD-FUS-REAR	2	1/P	
3	6LA05193000	BRKT-FUS-EXIT-U	1	1/P	
4	6LA05208000	K-BKT-FUS-F	1	1/P	
5	6LE06670000	BRUSH-FUSER	1	1/C	
6	6LA05370000	K-BRKT-LEV-R	1	1/P	
7	6LA05290000	STUD-FUS-R-G27	1	1/P	
8	6LA05264000	GEAR-10S027-08	1	1/P	
9	6LA05292000	STUD-REAR-GEAR	1	1/P	
10	6LA05262000	GG10S029/10S026	1	1/P	
11	6LA05450000	GG08H028/08S014	1	1/P	
12	6LE06635000	BRKT-WEB-MOT-390	1	1/P	
13	6LA05220000	STUD-WEB-MOT	1	1/P	
14	6LA05453000	GG08S035/08S14S	1	1/P	
15	6LE06721000	STUD-WEB-FRM	1	1/P	
16	6LE09234000	MOTR.D-WEB-390	1	1/D	
17	6LE06605000	BRKT-WEB-SEN-390	1	1/P	
18	6LE06759000	SHEET-FUS-FRONT-N	1	1/KP	
19	6LA05205000	COVER-FUS-R	1	1/P	
20	6LE06731000	CLUTCH-6-LB-390	1	1/P	
21	6LA05204000	COVER-FUS-F	1	1/P	
22	6LA05200000	BRKT-IH-F	1	1/P	
23	6LA05287000	SHEET-FUS-FR-L	1	1/KP	
101	X0-00486000	S/FPAN-M4X8-NI	2	10/P	
102	X0-02592000	S/TPD3/FHEXM-3X6-ZU3	12	10/P	
103	F0-00032000	PLWS-1-46B	4	5/P	
105	X0-01528000	S/PAN-M4X6-NC	2	10/P	
106	X0-00966000	RR/E-5-SS	2	10/P	
107	X0-01670000	S/PAN-M2.6X4-NC	2	10/P	
108	X0-02590000	S/TPD3/FHEXM-4X10-ZU3	2	10/P	
109	4401759180	SCREW-FUSER-M4	1	10/P	
112	C0-10814000	TLP1255(C8)	2	5/C	
113	6LH36358000	SCREW-M3-D3.5X5.5	1	10/P	

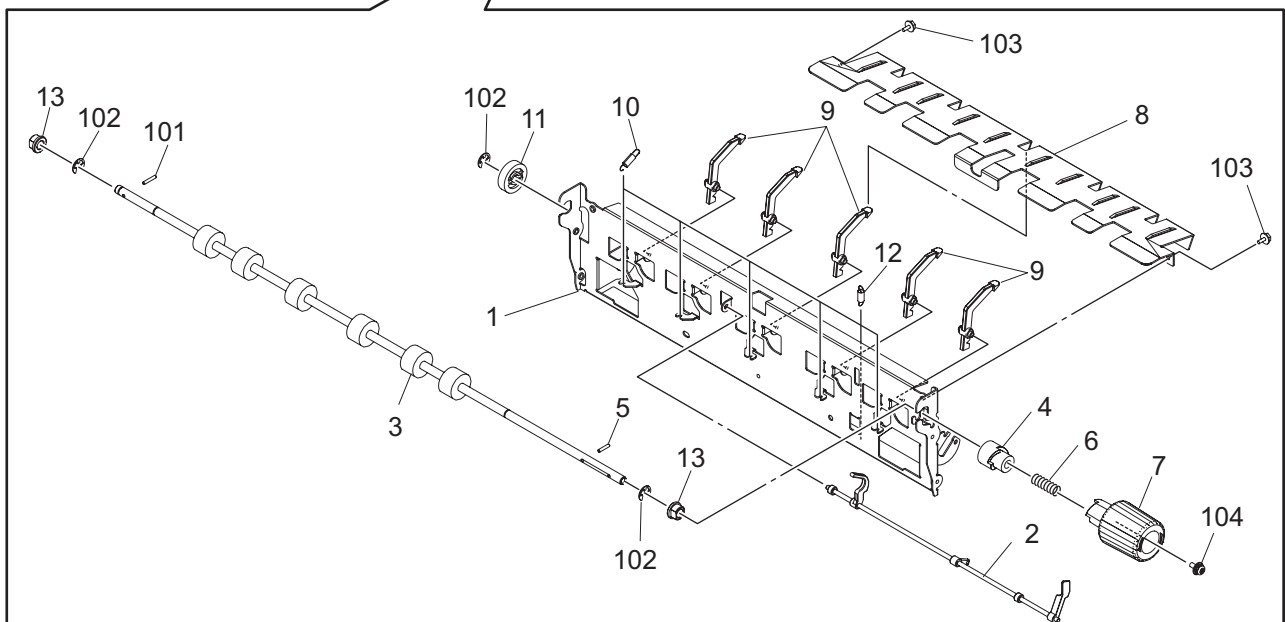
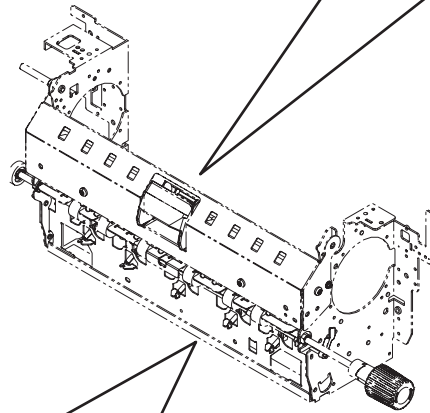
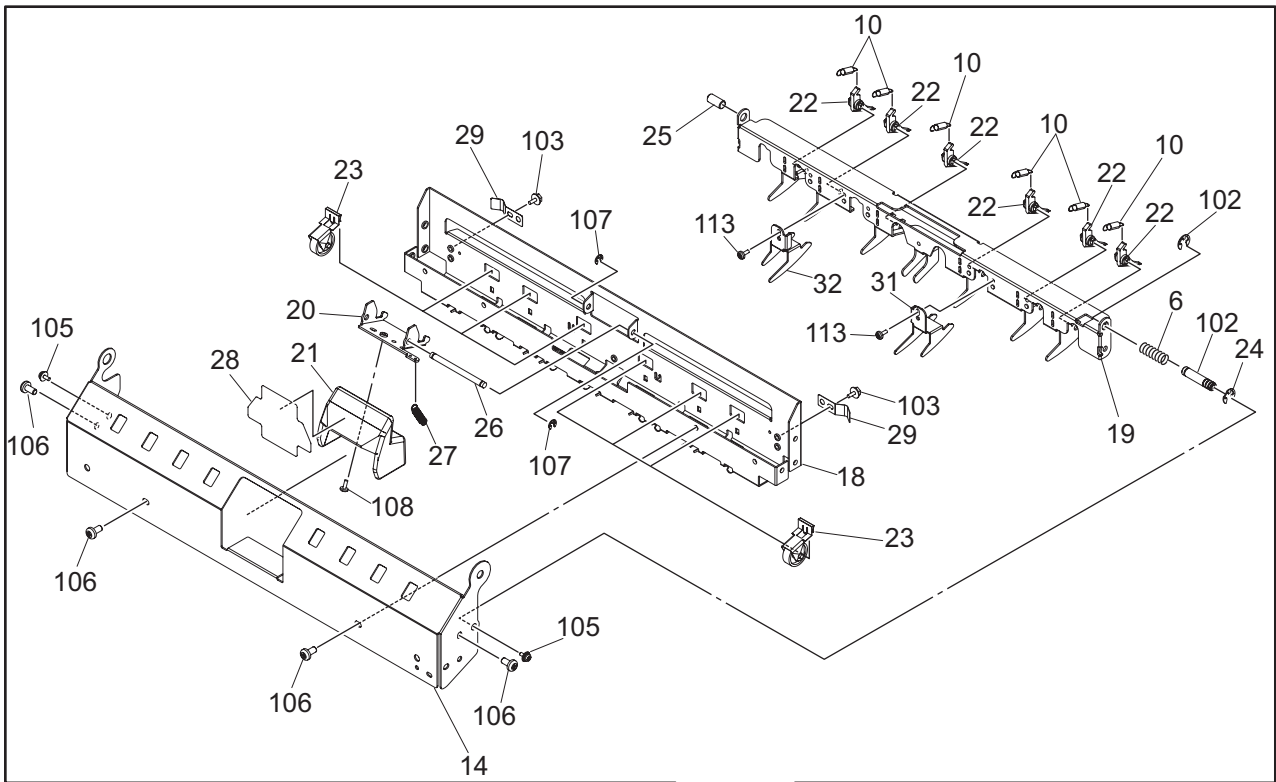


ITEM No.	PART No.	PART NAME	Q'TY / PAGE	Q'TY / PACK	REMARKS
1	6LE19371000	HR-6000-L	1	1/S	
2	6LE15289000	HR-6000-U	1	1/S	
3	6LE06600000	STUD-ARM-PS-390	2	1/P	
4	4401758440	HLDR-PRESS	2	1/P	
5 A	6LE06680000	ASY-COIL-IH390-100	1	1/C	NAD,SAD
5 B	6LE06680100	ASY-COIL-IH390-200	1	1/C	MJD,ASD,ASU,AUD,ARD
6	F0-01368000	6905ZZS1C4KZ	2	1/P	
7	4401902550	COLLER-BRG-HR	2	1/P	
8	6LA05201000	BRKT-IH-R	1	1/P	
9	F0-01385000	6812ZZNRS1C4KZ	2	1/D	
10	6LA05280000	CRR/S600SKFB	2	10/P	
11	6LA05260000	GEAR-10S072-60	1	1/P	
12	6LE06700000	ASYS-ARM-PRESS-R	1	1/P	
13	6LE06699000	ASYS-ARM-PRESS-F	1	1/P	
14 A	6LE06698000	SPC-PRESS-H390	2	1/P	e-STUDIO755/855
14 B	6LE06695000	SPC-PRESS-L390	2	1/P	e-STUDIO555/655
15	4401759260	WAS-15-45-FUS	2	10/P	
16	6LE06733000	KIT-INSLTR-IH-390	1	1/C	
101	X0-00486000	S/FPAN-M4X8-NI	2	10/P	
102	X0-02592000	S/TPD3/FHEXM-3X6-ZU3	10	10/P	
103	X0-00968000	RR/E-7-SS	2	10/P	
104	X0-02006000	S/PAN-M4X25-NI	2	10/P	
105	X0-01528000	S/PAN-M4X6-NC	4	10/P	
109	4401759180	SCREW-FUSER-M4	3	10/P	
110	4406324750	SCREW-M4-D6-6.5	1	10/P	
111	X0-02589000	S/TPD3/FHEXM-4X8-ZU3	2	10/P	
113	6LH36359000	SCREW-M3-D4X2.3	4	10/P	
115	6LA05274000	SCREW-M4-D8-HND	1	5/P	
117	6LA36437000	SCREW-FUSER-M4B-N	2	5/P	

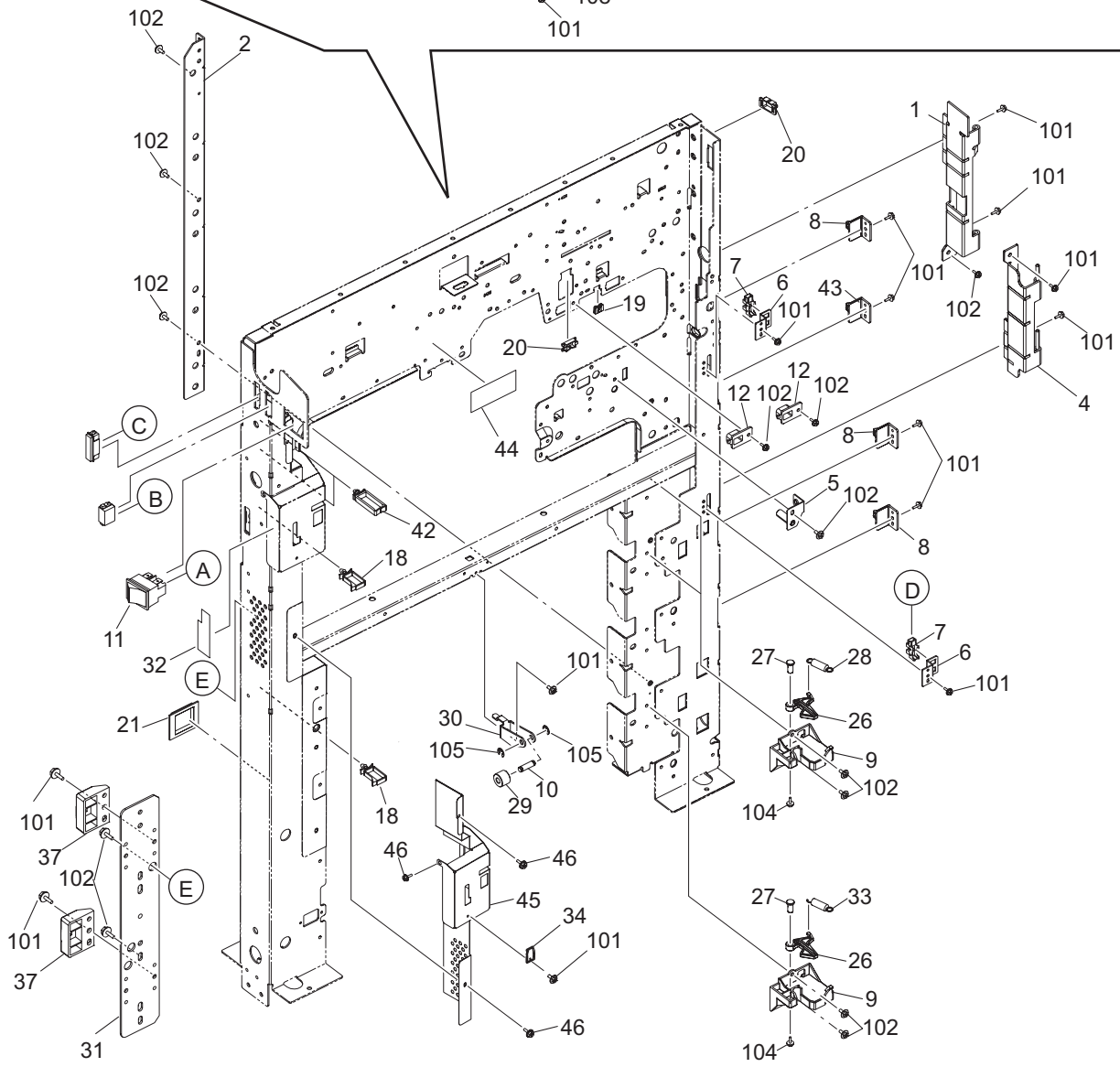
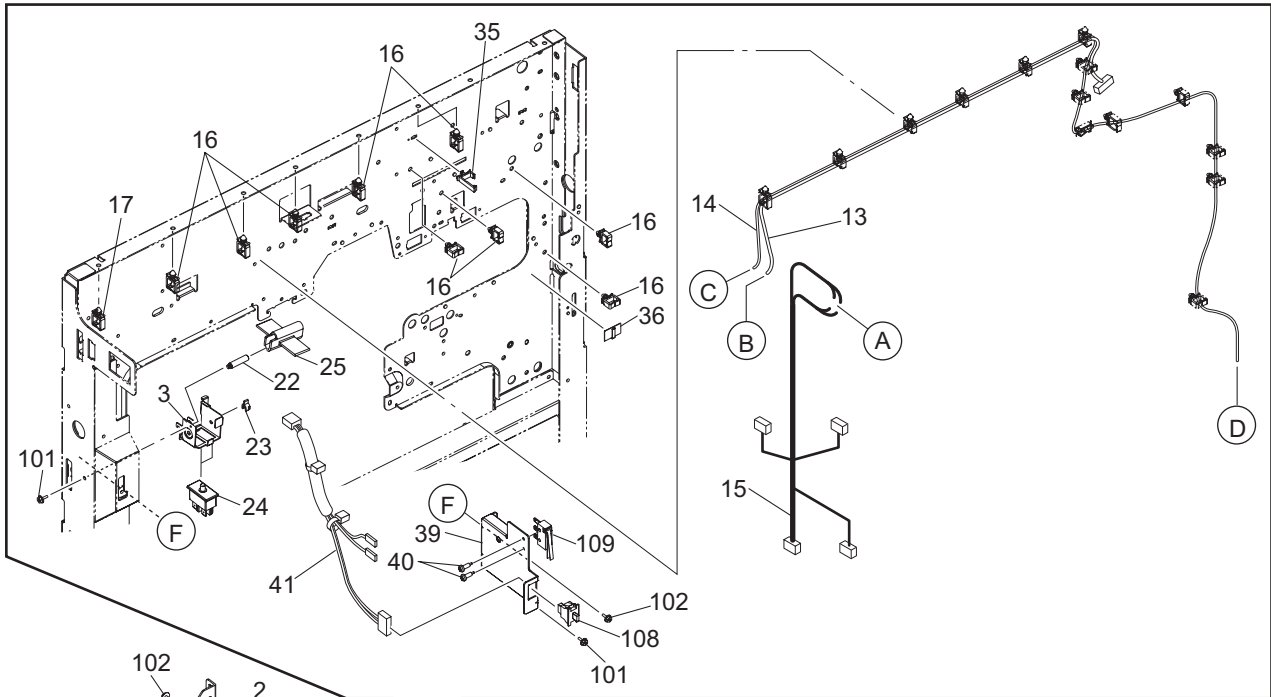


ITEM No.	PART No.	PART NAME	Q'TY / PAGE	Q'TY / PACK	REMARKS
1	6LA05313000	BRKT-FUS-ENT-U	1	1/PP	
2	6LA05304000	GUIDE-FUS-ENT-U	1	1/P	
3	6LA05310000	BRKT-THERMO-H/R	2	1/P	
4	6LA07172000	THRMST-340-FUS	2	1/C	
5	6LA05309000	BRKT-THMS-H/R	3	1/P	
6	6LE09681000	THMS-HTR-U-390FS	1	1/C	
7	F0-00032000	PLWS-1-46B	6	5/P	
8	6LE09437000	HRNS-IH-AC1-390	1	1/P	
9	6LA07431000	HRNS-IH-AC2-340	1	1/P	
10	4401759090	BUSH-6	5	5/P	
11	6LE19372000	CW-6000	1	1/S	
12	6LE19373000	PR-6000W	1	1/S	
13	6LE06634000	BRKT-WEB-R-390	1	1/P	
14	6LE06633000	BRKT-WEB-F-390	1	1/P	
15	6LA05444000	GUARD-FUS-CLN-U	1	1/PP	
16	6LA08943000	SPE-050-050-216	2	5/P	
17	6LA05455000	GEAR-08S35-06-F	1	1/P	
18	6LA05454000	BRKT-FUS-WEB-E	1	1/P	
19	6LA05452000	GG08S035/08S14L	1	1/P	
20	6LA05470000	SHEET-FUS-CLN-U	1	1/KP	
21	6LA05472000	SPL-FUS-F	1	1/P	
22	4406325090	GUIDE-FUS-ENT-L	1	1/P	
23	6LE06662000	BRKT-FUS-ENT-L390	1	1/P	
24	6LE06663000	BRKT-THMS-L390	1	1/P	
25	6LE09155000	HRNS-FUS-390	1	1/P	
27	6LE06669000	BRUSH-SUS-HR	1	1/KP	
28	4406379760	THMS-HTR-L-300	1	1/C	
29	4406325120	COV-THMS-HT-FUS	1	1/P	
30	6LE06758000	K-HLD-THERMO	2	1/P	
33	6LA05286000	SHEET-FUS-ENT-U	1	1/KP	
34	6LE06630000	ASYS-GUIDE-EN-390	1	1/KP	
35	6LA05468000	BRG-ONEWAY-6-H	2	1/P	
36	6LA05458000	SPACER-FUS-WEB	2	5/P	
101	X0-02069000	S/TPS/BID-3X6-ZU3	5	10/P	
102	X0-02551000	S/PAN/SWWP-M3X6-ZU3	4	10/P	
103	X0-02232000	S/FHEXM-M3X10-NI	1	10/P	
104	4401759180	SCREW-FUSER-M4	2	10/P	
105	X0-01526000	P/PRL/AH7-2X12-SS	1	10/P	
106	X0-00966000	RR/E-5-SS	8	10/P	
107	6LH36359000	SCREW-M3-D4X2.3	3	10/P	
108	X0-02592000	S/TPD3/FHEXM-3X6-ZU3	9	10/P	
109	X0-00094000	S/PAN/SWWP-M3X10-NI	3	10/P	

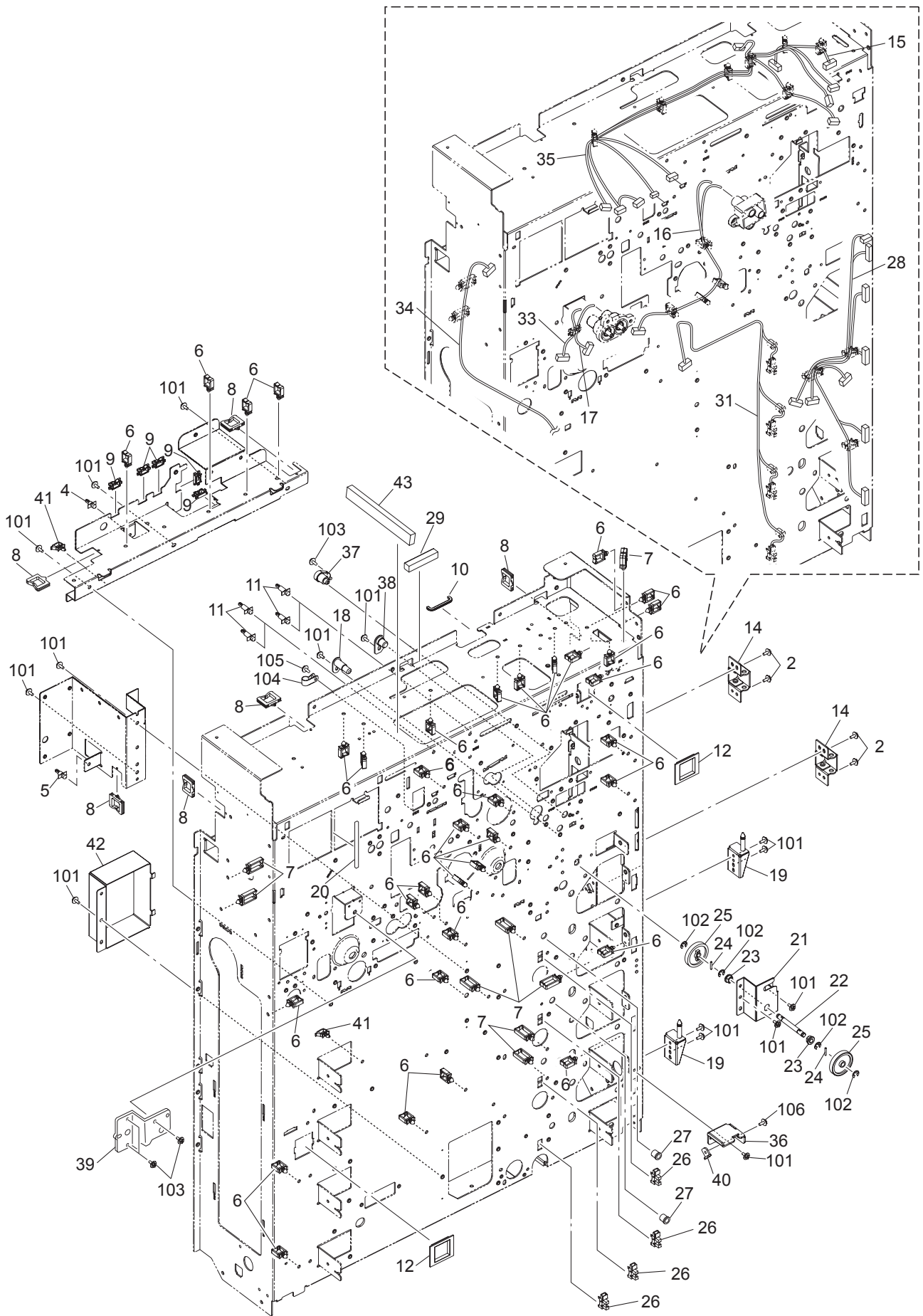




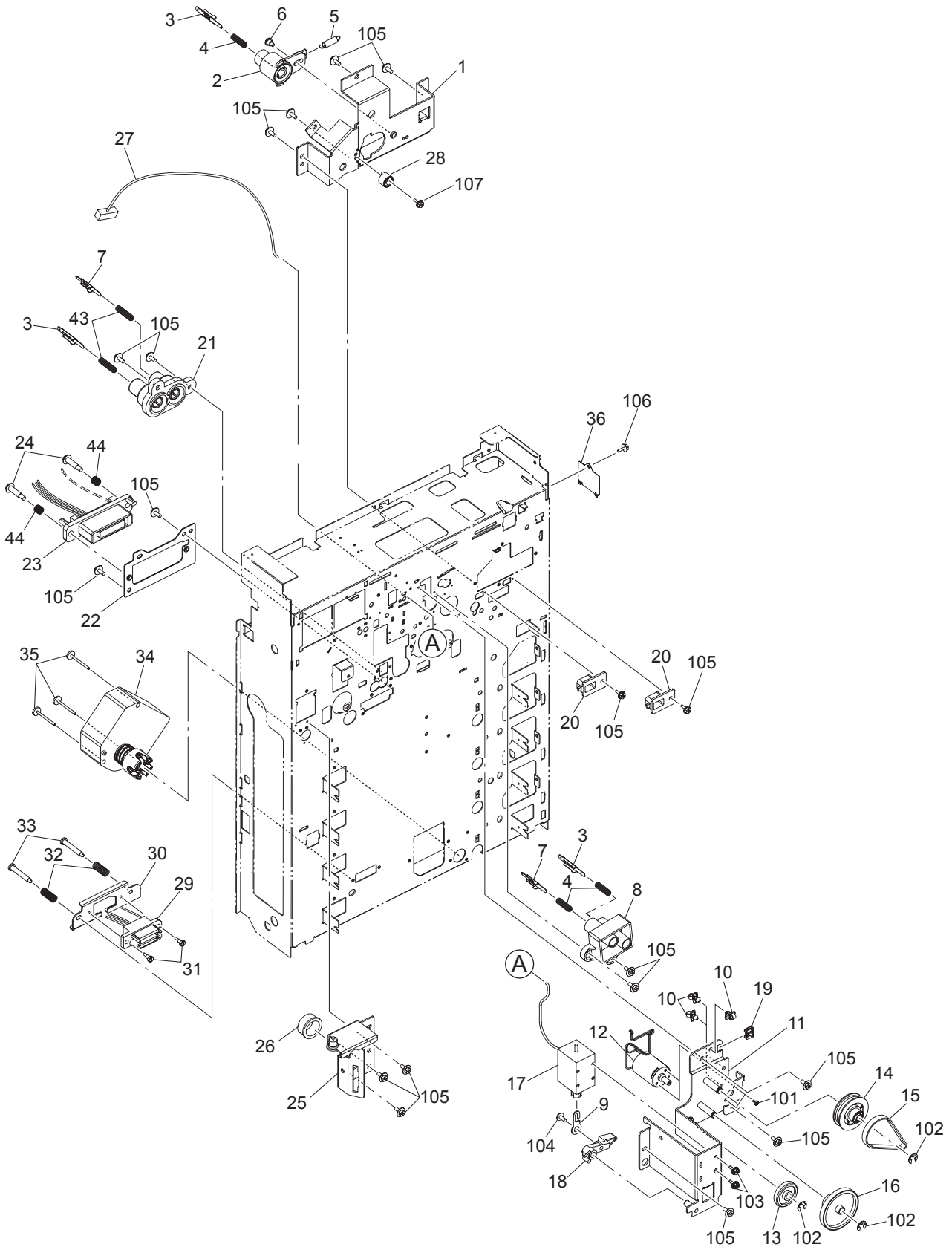
ITEM No.	PART No.	PART NAME	Q'TY / PAGE	Q'TY / PACK	REMARKS
1	6LA05404000	BRKT-SCRAPER-L	1	1/P	
2	6LA05410000	ACT-EXIT-FUS	1	1/C	
3	6LE06668000	ROL-EXIT-FUS-390	1	1/KP	
4	4401952430	CLUTCH-HDL-FUS	1	1/P	
5	X0-00980000	P/PRL/AH7-2X10-SS	1	10/P	
6	4401758710	SPC-FUS-HNDL-LE	2	5/P	
7	6LE06629000	HANDLE-FUS-390	1	1/P	
8	6LA05406000	GUIDE-PAPER-FUS	1	1/P	
9	4401758770	SCRAPER-P/R	5	5/P	
10	6LE06638000	SPE-SCRAPER-390	11	1/P	
11	4406324110	GEAR-10S22-6-P	1	1/P	
12	4401758810	SPE-SW-EXIT	1	5/P	
13	4401759090	BUSH-6	2	5/P	
14	6LA05364000	GUARD-FUS-LEVER	1	1/PP	
18	6LA05367000	BRKT-EX-ROL-UP	1	1/P	
19	4406324510	BRKT-SCRAPER-U2	1	1/P	
20	4406324570	BRKT-LEV-HND-C	1	1/P	
21	6LE06628000	COV-FUS-LEV-390	1	1/P	
22	4402491630	SCRAPER-212	6	6/P	
23	6LE06725000	ASY-ROL-FUS-UP-390	6	1/P	
24	4406324630	STUD-LEV-CRANK	1	1/P	
25	6LE06720000	STUD-CL-ROL-U-R	1	1/P	
26	6LE06713000	SFT-LEV-HND-C	1	1/P	
27	6LA08943000	SPE-050-050-216	1	5/P	
28	6LE06626000	SHEET-FUS-LEV-390	1	1/KP	
29	4406326180	SPL-FUS-EX-BKT	2	1/P	
31	6LA05380000	GUIDE-FUS-EX-F3	1	1/P	
32	6LA05381000	GUIDE-FUS-EX-R3	1	1/P	
101	X0-01526000	P/PRL/AH7-2X12-SS	1	10/P	
102	X0-00966000	RR/E-5-SS	5	10/P	
103	X0-02592000	S/TPD3/FHEXM-3X6-ZU3	4	10/P	
104	X0-02217000	S/PAN/SWWP-M4X8-ZU3	1	10/P	
105	X0-02551000	S/PAN/SWWP-M3X6-ZU3	2	10/P	
106	4401759180	SCREW-FUSER-M4	4	10/P	
107	X0-00964000	RR/E-3-SS	2	10/P	
108	X0-02069000	S/TPS/BID-3X6-ZU3	1	10/P	
113	X0-02592000	S/TPD3/FHEXM-3X6-ZU3	2	10/P	



ITEM No.	PART No.	PART NAME	Q'TY / PAGE	Q'TY / PACK	REMARKS
1	6LE06335000	BRKT-HINGE-UPR	1	1/P	
2	6LA00950000	BRKT-F/S-UNIT	1	1/P	
3	6LH68507000	BRKT-DOOR-SW-H100	1	1/P	
4	6LE06338000	ASYS-BRKT-HINGE-LWR	1	1/P	
5	6LE05714000	ASYS-BRKT-POS-TRANS	1	1/P	
6	6LA04796000	BRKT-SENS-OPEN	2	1/P	
7	C0-10813000	GP1A73ARJ00F	2	1/P	
8	6LA04151000	STOPPER-KNOB	3	1/P	
9	6LA04492000	HOLDER-LOCK-CST	3	1/P	
10	4406343710	SHAFT-GUIDE-OP	1	1/P	
11	E0-08497000	AJ8W200WWF	1	1/D	
12	4406333430	BUSH-DEV	2	5/P	
13	6LE09205000	HRNS-FRONT-390	1	1/P	
14	6LE09209000	HRNS-SIDE-390	1	1/P	
15	6LH69820000	HRNS-MAIN-SW-H100	1	1/P	
16	F0-00736000	LWS-0711Z	9	5/P	
17	F0-01243000	LWS-1211Z	1	5/P	
18	F0-01299000	LWS-2111Z	3	1/P	
19	F0-00120000	ES-0505	1	5/P	
20	F0-01248000	ESC-0912	1	10/P	
21	4406509170	BD/W-TWS-3027	1	1/P	
22	6LH68508000	STUD-DOOR-SW-H100	1	1/P	
23	4408354010	STOPPER-REAR	1	1/P	
24	E0-08442000	FA1L-AA22	1	1/D	
25	6LH68509000	GUIDE-SW-DOOR-H100	1	1/P	
26	6LA04493000	HOOK-LOCK-CST	3	1/P	
27	6LA04494000	STUD-LOCK-CST	3	5/P	
28	6LA04495000	SPE080-100-0320	3	5/P	
29	4406343720	ROLL-GUIDE-OPEN	1	5/P	
30	6LE06351000	BRKT-HOLDER-RLR-390	1	1/P	
31	6LE03146000	ASYS-LOCK-EXIT-F-390	1	1/P	
32	6LA06575000	LBL-W-HOT-ANGL	1	1/KP	
33	6LA04851000	SPE075-100-0320	1	5/P	
34	6LE06341000	GUIDE-PUSH-DOOR-390	1	1/P	
35	F0-00367000	RLWS-1TV0	1	10/P	
36	F0-00837000	P-25	1	5/P	
37	6LA05785000	HOOK-LOCK-EXIT	2	1/P	
39	6LE06400000	BRKT-SW-TNR-MAIN	1	1/P	
40	44204394000	SCREW20*D23	2	10/P	
41	6LE09240000	HRNS-FRT-USW-390	1	1/P	
42	F0-00026000	LWS-4U	1	5/P	
43	6LA15052000	STOPPER-KNOB-BYP	1	1/P	
44	6LA47644000	LBL-CAU-LSR-350	1	1/KP	
45	6LE06310000	COVER-AGL-L-U-390	1	1/C	
46	6LA08934000	SCR-M4X8ITSR-NI	3	10/P	
101	X0-02593000	S/TPD3/FHEXM-3X8-ZU3	16	10/P	
102	X0-02589000	S/TPD3/FHEXM-4X8-ZU3	18	10/P	
104	X0-02231000	S/FHEXM-M3X8-NI	2	10/P	
105	X0-00966000	RR/E-5-SS	2	10/P	
108	E0-01853000	CS1A-B2CA	1	1/D	
109	E0-08294000	DE2L-BALG	1	1/D	

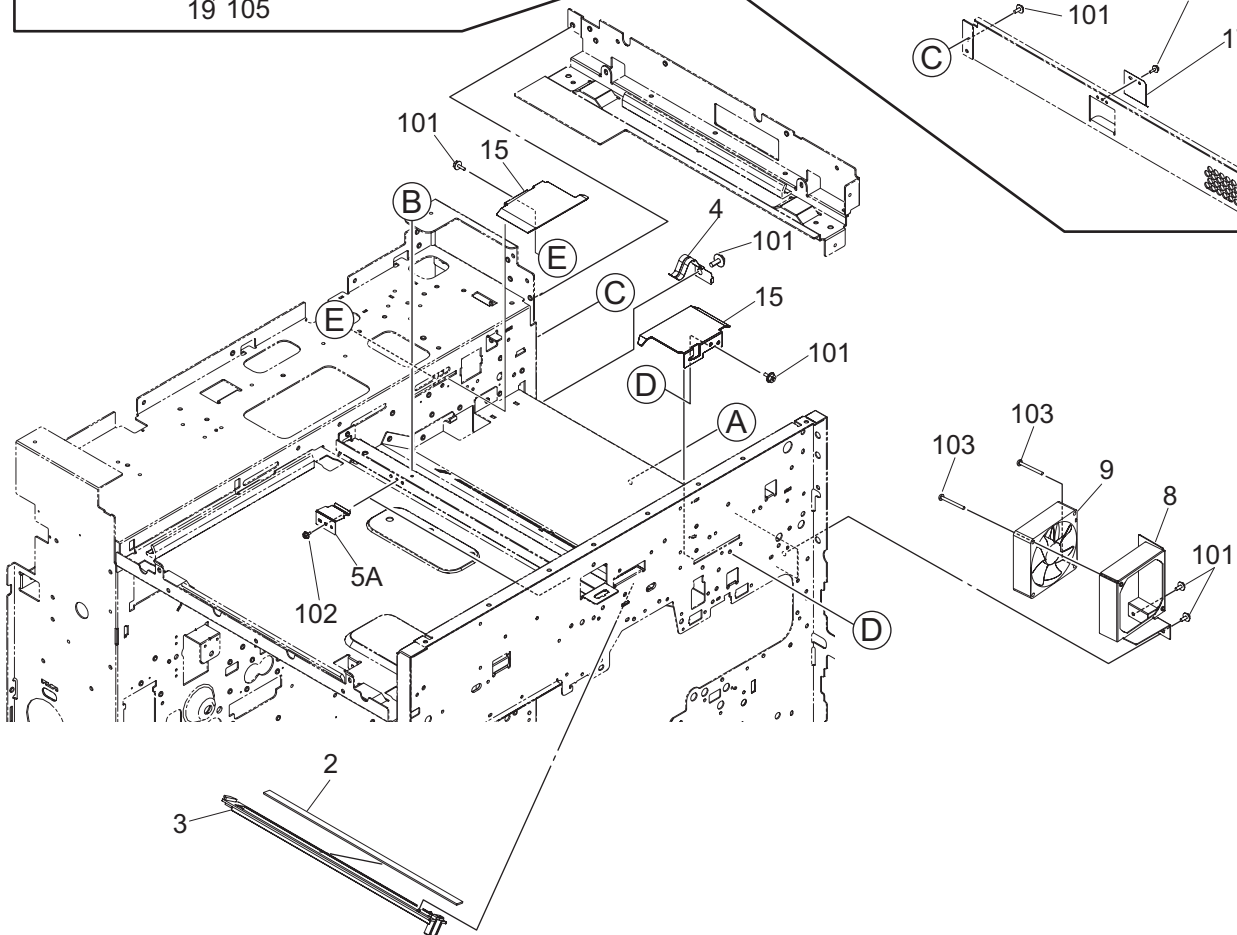
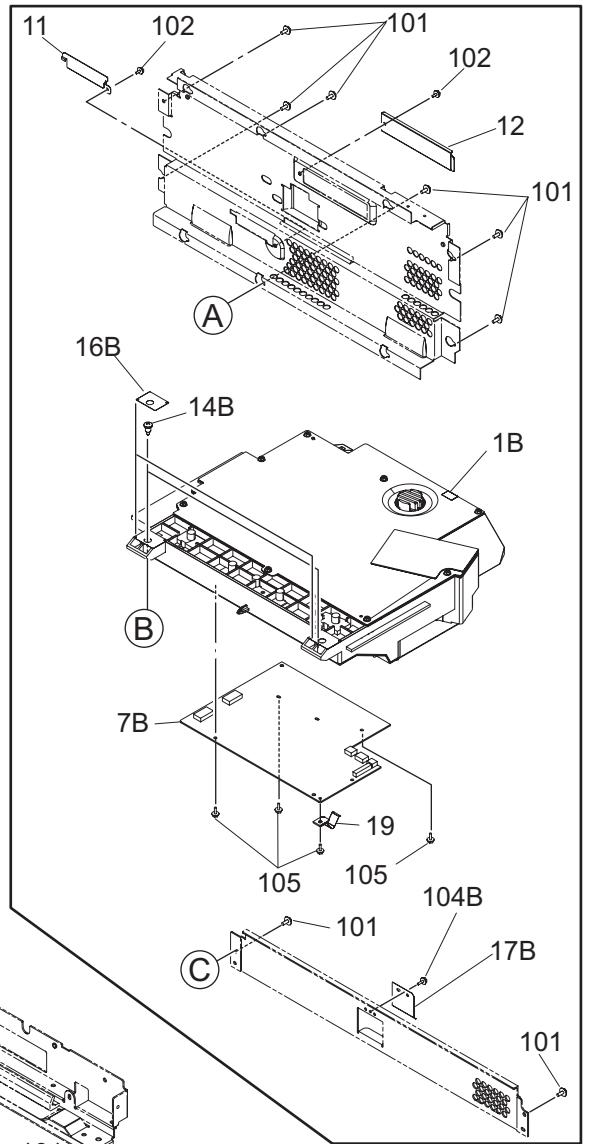
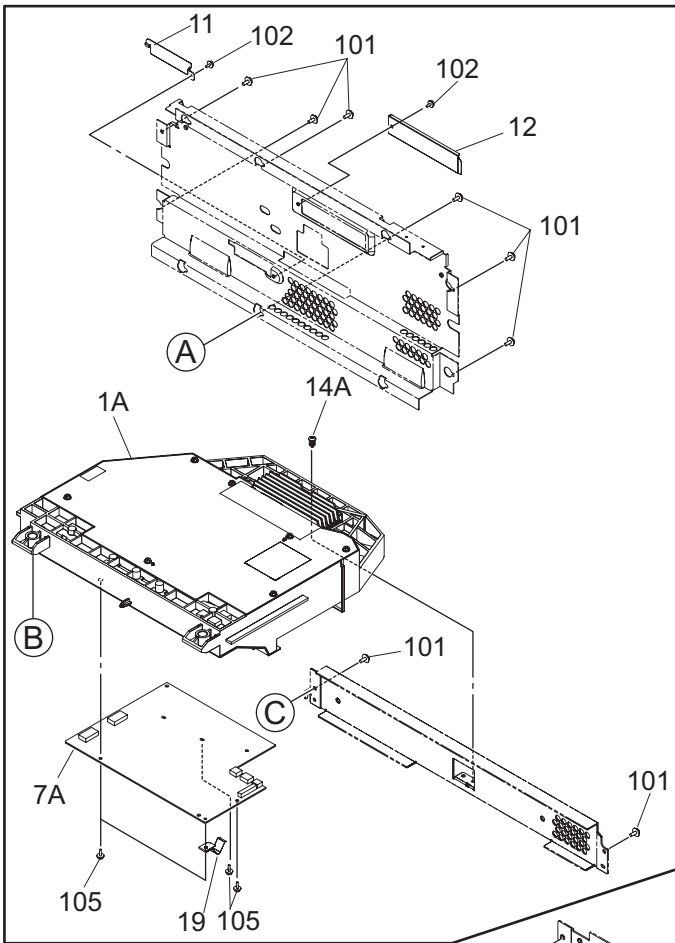


ITEM No.	PART No.	PART NAME	Q'TY / PAGE	Q'TY / PACK	REMARKS
2	6LA08934000	SCR-M4X8ITSR-NI	4	10/P	
4	F0-00027000	SPS-3U	1	5/P	
5	F0-00342000	SPLSN-6U	1	5/P	
6	F0-01243000	LWS-1211Z	34	5/P	
7	F0-01299000	LWS-2111Z	8	1/P	
8	F0-00047000	EDS-1717U	6	10/P	
9	F0-01248000	ESC-0912	5	10/P	
10	6LE05412000	BUSH-KG-016L-SYS	1	1/P	
11	F0-00343000	SPLSN-8U	4	5/P	
12	4406509170	BD/W-TWS-3027	2	1/P	
14	6LA04747000	BRKT-HINGE-BYP	2	1/P	
15	6LH69852000	HRNS-PLG-SYS-H100	1	1/P	
16	6LE09118000	HRNS-HVT-M-390	1	1/P	
17	6LE09119000	HRNS-HVT-TR-390	1	1/P	
18	4406349900	K-JOINT-RGT	1	1/P	
19	6LA04139000	K-BKT-HINGE-FED	2	1/P	
20	6LA01386000	SEAL-FRAME-R	1	1/KP	
21	6LA04261000	BRKT-DRIVE-MID	1	1/P	
22	6LA04262000	SHAFT-DRIVE-MID	1	1/P	
23	4407734980	BUSH-6-GCB	2	5/P	
24	X0-01526000	P/PRL/AH7-2X12-SS	2	10/P	
25	6LA04263000	GEAR-10S035-06	2	1/P	
26	C0-10813000	GP1A73ARJ00F	4	1/P	
27	F0-00370000	OCB-375	4	5/P	
28	6LE09412000	ASY-HRNS-CST-390	1	1/P	
29	6LA01199000	GSKT-10-10-50	1	5/P	
31	6LA07340000	HRNS-LGC-BTM-340	1	1/P	
33	6LE09116000	HRNS-HVT-BRS-390	1	1/P	
34	6LH69989000	HRNS-LGC-REV-H100	1	1/P	
35	6LE09278000	HRNS-LGC-DEVM-390	1	1/P	
36	6LE05763000	BRKT-HINGE-STOP-390	1	1/P	
37	4401772280	SUPPORT-GUIDE-P	1	1/P	
38	6LA03350000	K-JNT-GUIDE-U-S	1	1/P	
39	6LA05330000	BRKT-FUS-DRV	1	1/P	
40	6LE05764000	BRKT-HINGE-STOP-SUB	1	1/P	
41	F0-00736000	LWS-0711S	2	5/P	
42	6LA01041000	COVER-TLCF-FRM	1	1/P	
101	X0-02589000	S/TPD3/FHEXM-4X8-ZU3	23	10/P	
102	X0-00966000	RR/E-5-SS	4	10/P	
103	X0-02593000	S/TPD3/FHEXM-3X8-ZU3	4	10/P	
104	F0-00119000	EMT-4N	1	1/P	
105	X0-01285000	S/BID-M4X6-NC	1	10/P	
106	6LA08935000	SCR-M3X6BISR-NI	1	10/P	

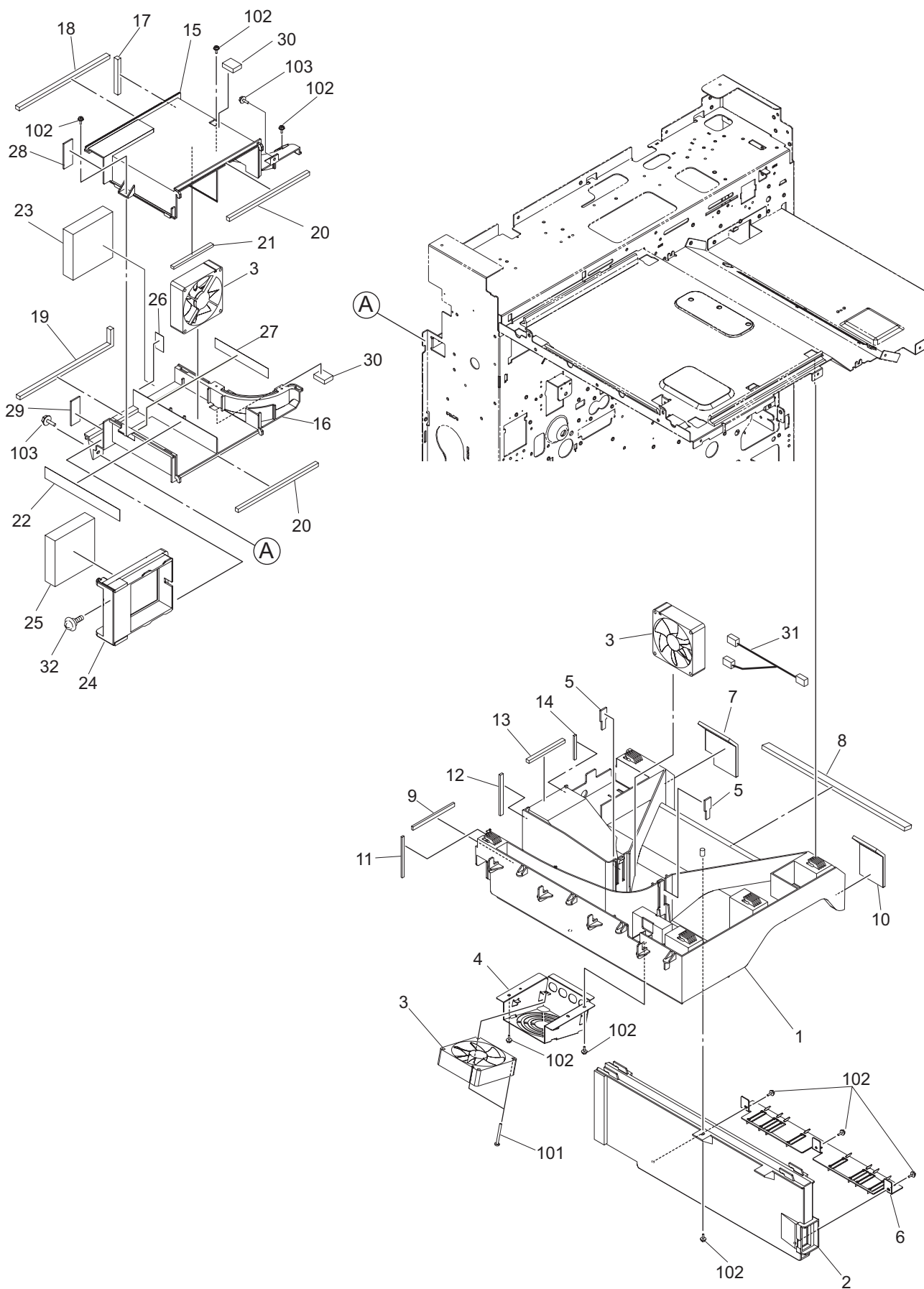


ITEM No.	PART No.	PART NAME	Q'TY / PAGE	Q'TY / PACK	REMARKS
1	6LE06334000	BRKT-DRV-SUB	1	1/P	
2	4406333770	TERM-BIAS-SUB	1	1/P	
3	4402308980	PLT-TERMINAL-R1	3	1/P	
4	4402308950	SPC055-050-0200	3	5/P	
5	4406333780	SPE060-050-184	1	5/P	
6	6LE06406000	SCREW-CH-M	1	10/P	
7	4402308970	PLT-TERMINAL-R2	2	1/P	
8	4406330810	TERMINAL-FRAME	1	1/P	
9	6LE06405000	LINK-SND-CLN	1	1/P	
10	4400902490	BAND-PS100	3	5/P	
11	6LE04116000	ASYS-BRKT-MOT-CLN-390	1	1/P	
12	6LE09545000	MOTRD-AUG-390CCW	1	1/D	
13	4401760590	GEAR-25-F	1	1/P	
14	4406329770	K-GEAR15-PLY53	1	1/P	
15	6LE06403000	BLT/T-2GT156-60	1	1/P	
16	4406329780	GEAR15-55	1	1/P	
17	6LA15256000	SOL-SCRIP-340	1	1/D	
18	6LA02238000	LEVER-CLAW-1	1	1/P	
19	F0-00120000	ES-0505	1	5/P	
20	4406333430	BUSH-DEV	2	5/P	
21	4406340260	TERM-FRAME-TRU	1	1/P	
22	6LA06405000	BRKT-CNT-R-340	1	1/P	
23	6LE09191000	HRNS-LGC-ADU-390	1	1/P	
24	4406343540	SCREW-SOCKET	2	1/P	
25	6LA05752000	K-BRKT-HIG-EX-U	1	1/P	
26	F0-00019000	OCB-875	1	10/P	
27	6LE09270000	HRNS-FUR-MOT-390	1	1/P	
28	6LE04520000	DETECTOR-DEV-390	1	1/P	
29	6LE09488000	HRNS-LGC-TLCF-390	1	1/P	
30	6LA93647000	BRKT-DRW	1	1/P	
31	6LE68371000	SCREW-CON	2	10/P	
32	6LA04817000	SPC-DRAW	2	5/P	
33	6LE68317000	SCREW-DRW-CON	2	10/P	
34	6LE68351000	M/DC-TRAY-UP	1	1/D	
35	6LA08931000	SCREW-BKT-MOT	3	10/P	
36	6LE06344000	BLIND-KEY-CTR-390	1	1/P	
44	6LA08950000	SPC074-070-0145	2	5/P	
101	X0-02254000	S/PAN/SWWS-M2.6X4-NI	2	10/P	
102	X0-00966000	RR/E-5-SS	5	10/P	
103	X0-02231000	S/FHEXM-M3X8-NI	2	10/P	
104	X0-02251000	S/TPP/FHEXM-4X8-NI	1	10/P	
105	X0-02589000	S/TPD3/FHEXM-4X8-ZU3	18	10/P	
106	X0-02230000	S/FHEXM-M3X6-NI	1	10/P	
107	X0-02592000	S/TPD3/FHEXM-3X6-ZU3	1	10/P	

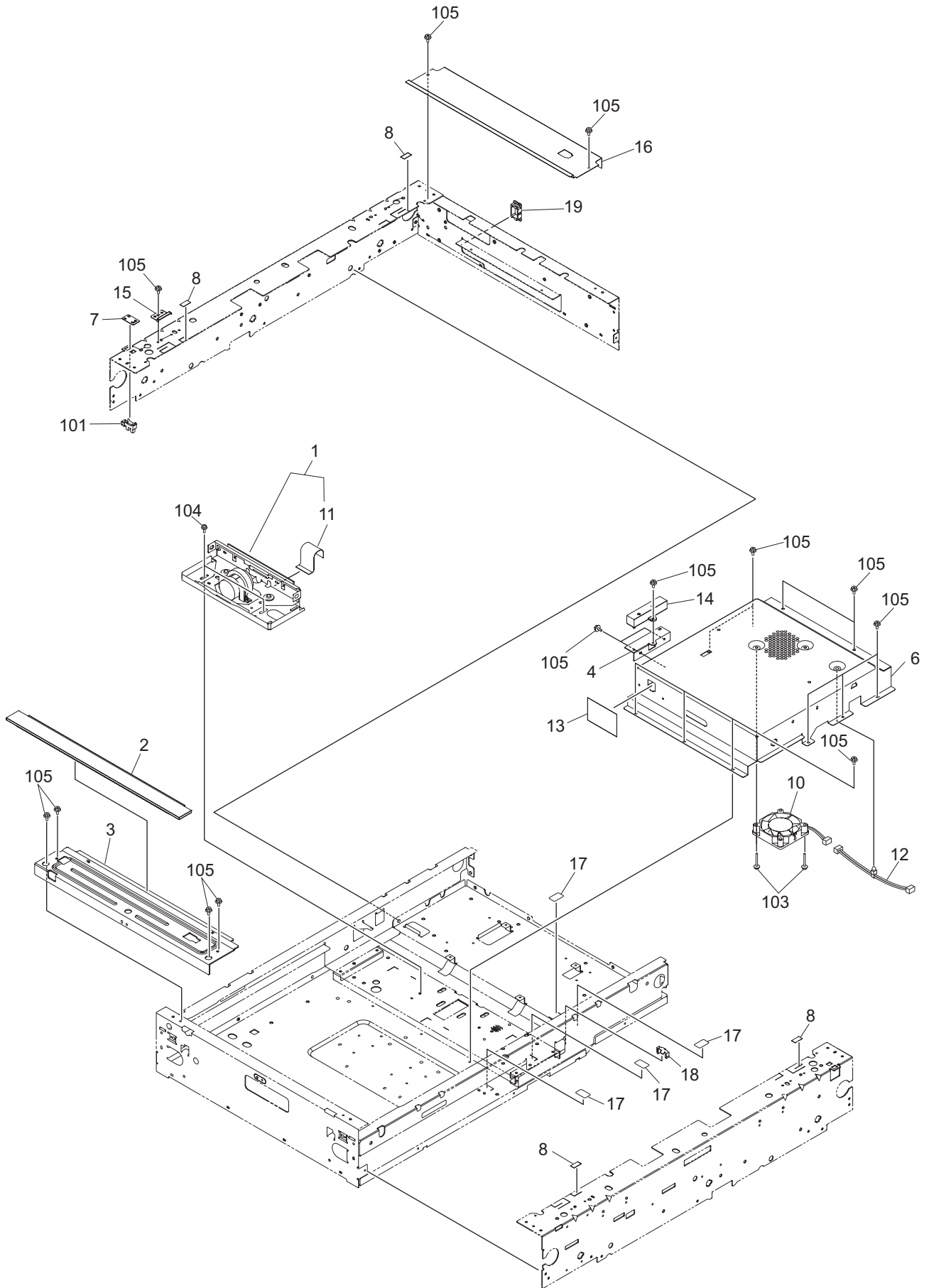




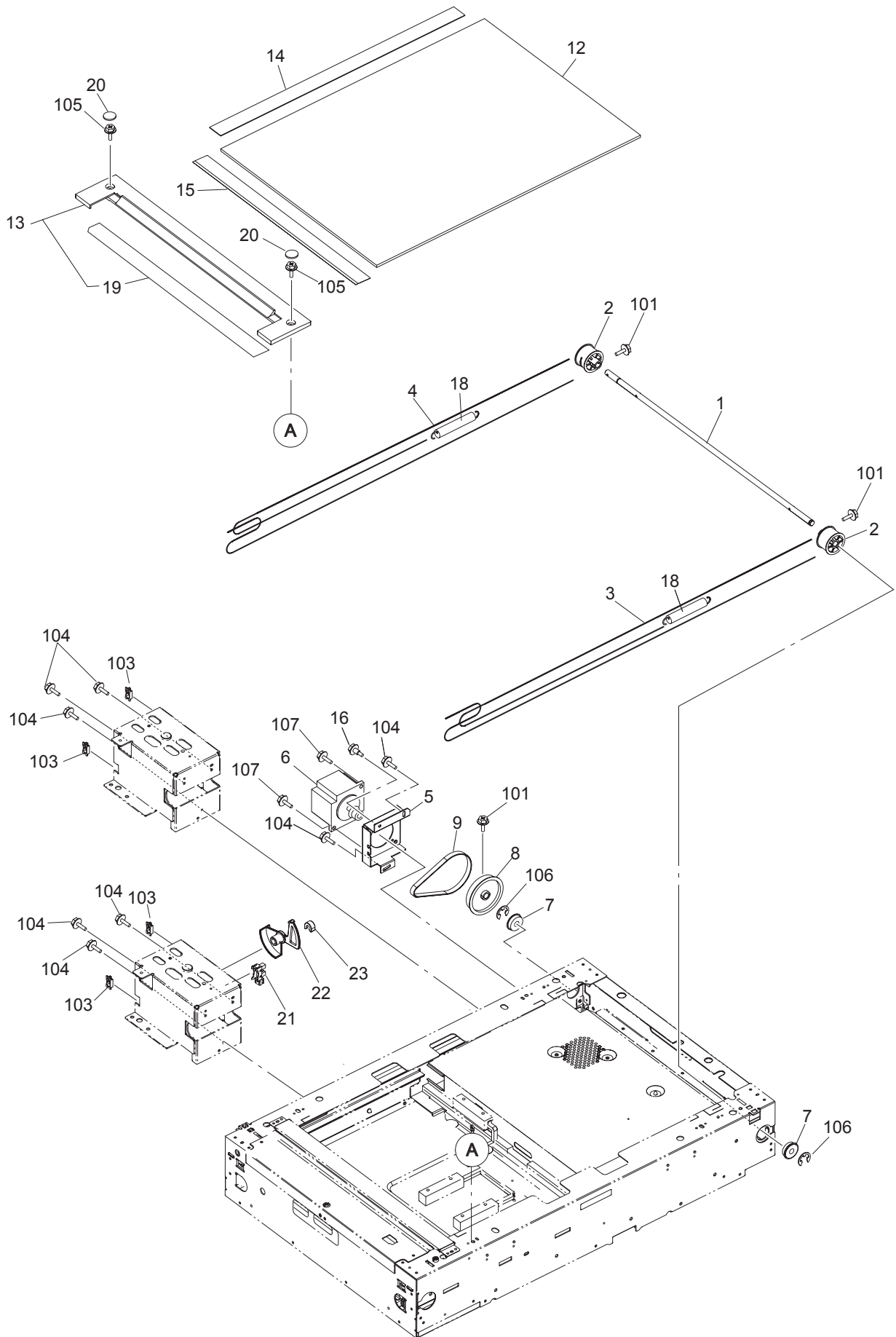
ITEM No.	PART No.	PART NAME	Q'TY / PAGE	Q'TY / PACK	REMARKS
1 A	6LE07302000	LSU-UNIT-F390-ZS-3	1	1/S	e-STUDIO555/655
1 B	6LE07303000	LSU-UNIT-F392-ZS-2	1	1/S	e-STUDIO755/855
2	6LE07264000	GLASS-DUCT-390	1	1/C	
3	6LE07263000	COV-GLASS-DUCT-390	1	1/P	
4	6LE07255000	SPG-F-LSU-390	1	1/P	
5 A	6LE07225000	SPG-LSU-LFT-390	2	1/P	e-STUDIO555/655
7 A	6LH70030000	ASYB-PWA-PLG-H100S	1	1/SB	e-STUDIO555/655
7 B	6LH70030100	ASYB-PWA-PLG-H102S	1	1/SB	e-STUDIO755/855
8	6LA01541000	BASE-FAN	1	1/P	
9	6LE09166000	FAND-8025-390	1	1/D	
11	6LE07250000	COVER-DL-PLG	1	1/P	
12	6LE08056000	COVER-DL-SCN-390	1	1/P	
14 A	6LA36749000	ASYS-SCREW-LSU-NI	1	5/P	e-STUDIO555/655
14 B	6LA01590000	ASY-SCREW-OPT	2	1/P	e-STUDIO755/855
15	6LA01570000	RAIL-INS-OPT	2	1/P	
16 B	6LA01593000	SEAL-SCREW	2	5/P	e-STUDIO755/855
17 B	6LA01563000	SPL-UP-HOUSING	1	1/P	e-STUDIO755/855
18	6LA01565000	SPL-FG-PLG	1	1/P	
101	X0-02589000	S/TPD3/FHEXM-4X8-ZU3	28	10/P	
102 A	X0-02592000	S/TPD3/FHEXM-3X6-ZU3	4	10/P	e-STUDIO555/655
102 B	X0-02592000	S/TPD3/FHEXM-3X6-ZU3	2	10/P	e-STUDIO755/855
103	X0-02114000	S/TPS/PAN-4X32-ZU3	2	10/P	
104 B	X0-02593000	S/TPD3/FHEXM-3X8-ZU3	1	10/P	e-STUDIO555/655



ITEM No.	PART No.	PART NAME	Q'TY / PAGE	Q'TY / PACK	REMARKS
1	6LE06332000	DUCT-EXIT-340	1	1/PP	
2	6LA01371000	ASYS-DUCT-CLN	1	1/C	
3	6LE09166000	FAND-8025-390	3	1/D	
4	6LA01364000	BRKT-FAN-RVS	1	1/P	
5	6LE06368000	SEAL-DUCT-EXIT11-390	2	1/P	
6	6LE06304000	GUIDE-DUCT-390	1	1/P	
7	6LE06363000	SEAL-DUCT-EXIT1-390	1	1/P	
8	6LA01379000	SEAL-DUCT-EXIT2	1	1/KP	
9	6LA01380000	SEAL-DUCT-EXIT3	1	1/KP	
10	6LE06364000	SEAL-DUCT-EXIT4-390	1	1/P	
11	6LA01382000	SEAL-DUCT-EXIT5	1	1/KP	
12	6LA01383000	SEAL-DUCT-EXIT6	1	1/KP	
13	6LA01384000	SEAL-DUCT-EXIT7	1	1/KP	
14	6LA01385000	SEAL-DUCT-EXIT8	1	1/KP	
15	6LA14287000	DUCT-REAR-U1	1	1/PP	
16	6LA14288000	DUCT-REAR-U2	1	1/PP	
17	6LA01375000	SEAL-DUCT-R-U1	1	1/KP	
18	6LA01376000	SEAL-DUCT-R-U2	1	1/KP	
19	6LA01377000	SEAL-DUCT-R-L	1	1/KP	
20	6LA01035000	SEAL-DUCT-U	2	1/KP	
21	6LA01036000	SEAL-DUCT-FAN	1	1/KP	
22	6LA01394000	MYLAR-DUCT	1	1/KP	
23	6LE06380000	FLTR-OZN-R190-390	1	1/C	
24	6LE06371000	ASYS-FILTER-OZN	1	1/P	
25	6LE06379000	FLTR-OZN-800-390	1	1/C	
26	6LE06362000	MYLAR-DUCT2-390	1	1/P	
27	6LE06361000	MYLAR-DUCT-390	1	1/KP	
28	6LE06365000	SEAL-DUCT-R-U1-390	1	1/P	
29	6LE06366000	SEAL-DUCT-R-U2-390	1	1/P	
30	6LE06374000	SEAL-DUCT-R-U-390	2	1/P	
31	6LA07357000	HRNS-DUCT-FAN-340	1	1/P	
32	6LA08936000	SCREW-M3-TENS	1	10/P	
101	X0-02114000	S/TPS/PAN-4X32-ZU3	2	10/P	
102	X0-02247000	S/TPP/FHEXM-3X8-NI	8	10/P	
103	X0-02589000	S/TPD3/FHEXM-4X8-ZU3	2	10/P	

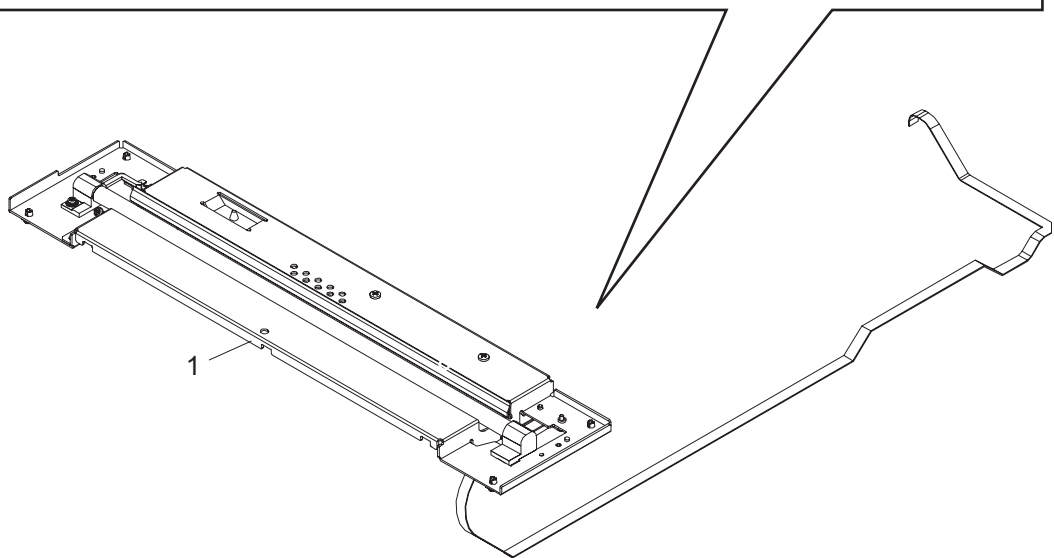
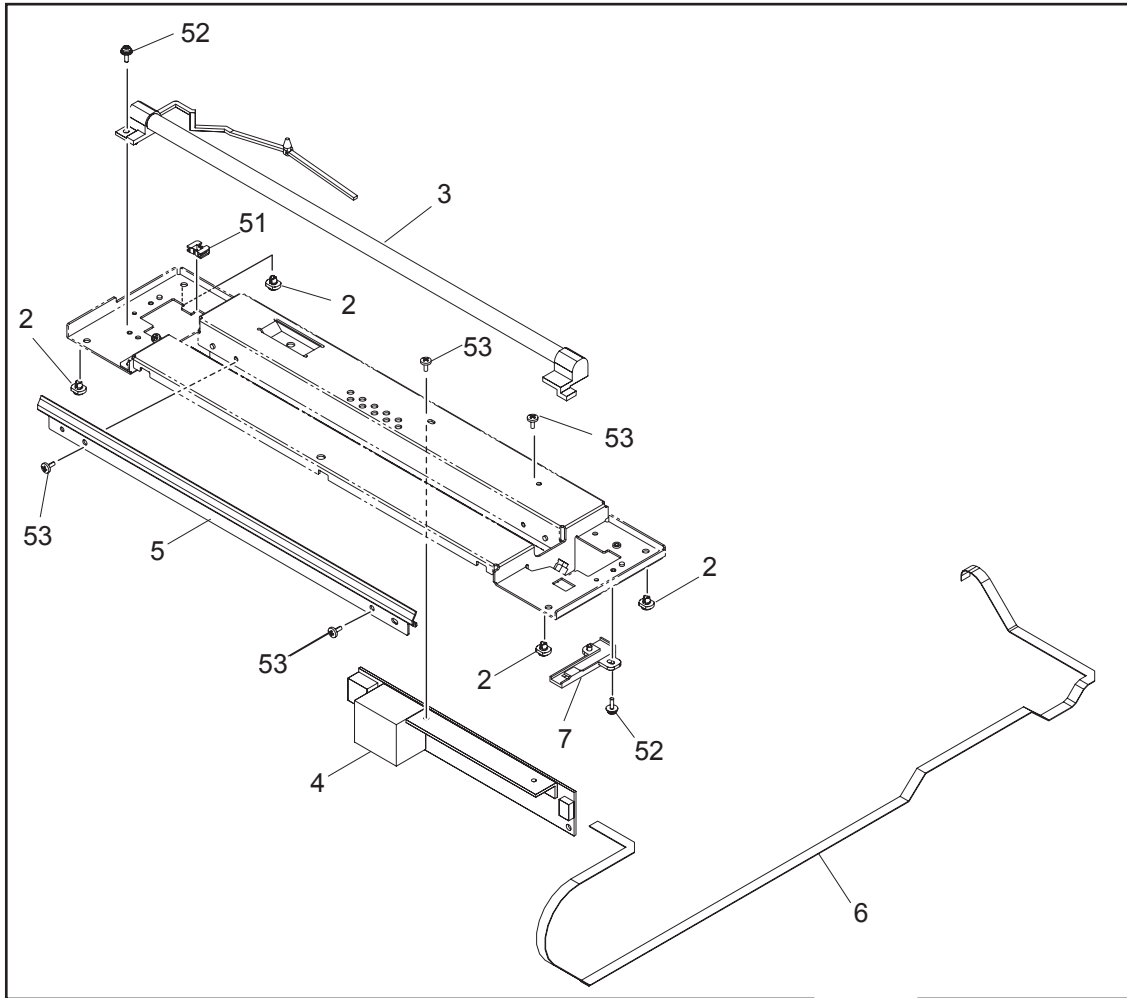


ITEM No.	PART No.	PART NAME	Q'TY / PAGE	Q'TY / PACK	REMARKS
1	6LE08099000	LENS-UNIT-390	1	1/S	
2	6LH69308000	ASYS-GLASS-ADF-H100	1	1/C	
3	6LA02010000	ASYS-STY-L-SCN	1	1/P	
4	6LA01870000	BKT-APS-B5R	1	1/P	
6	6LE08057000	COVER-LENS-390	1	1/P	
7	6LA29902000	COVER-SNSR-LIFT	1	1/P	
8	44202810000	CUSH-GLASS	4	5/P	
10	6LE09967000	FAND-6015-39X	1	1/D	
11	6LE09765000	HRNS-CCD-390	1	1/P	
12	6LE09225000	HRNS-SCN-FAN-390	1	1/P	
13	6LE08036000	SEAL-APS-390	1	1/KP	
14	6LE09478000	SNSR-PS-TY1CH56	1	1/C	
15	6LH69307000	SPL-GLASS-ADF-H100	2	1/P	
16	6LE08128000	STAY-TOP-R-SCN-390	1	1/P	
17	6LA39577000	MYLAR-HRNS-INV	4	1/P	
18	4406319330	CLP-WIRE-PRESS	1	5/P	
101	C0-10813000	GP1A73ARJ00F	1	1/P	
102	F0-01243000	LWS-1211Z	7	5/P	
103	X0-00130000	S/PAN/SWWP-M3X20-NI	2	10/P	
104	X0-00077000	S/PAN/SWWP-M3X8-NI	3	10/P	
105	X0-02592000	S/TPD3/FHEXM-3X6-ZU3	30	10/P	

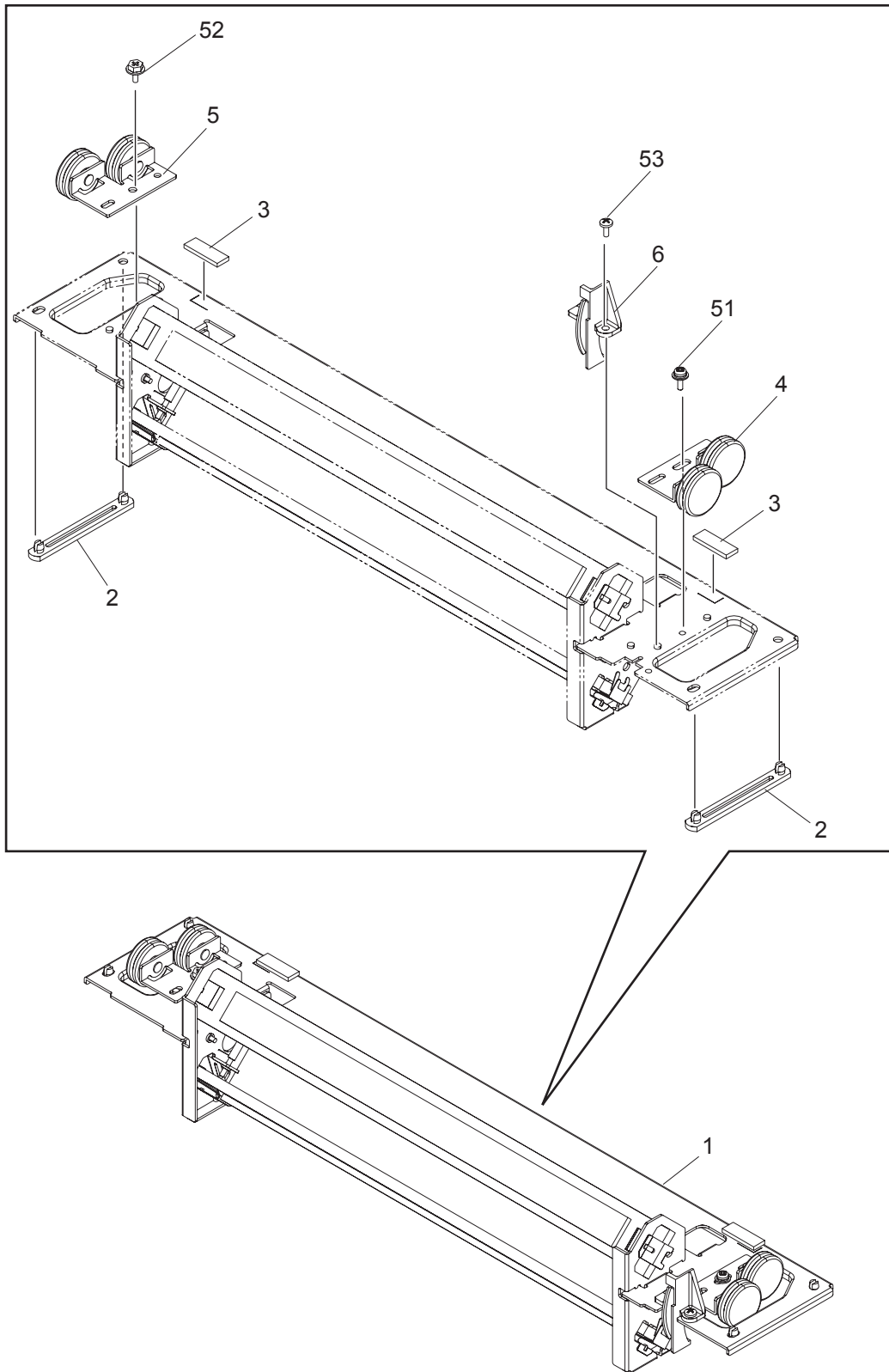


ITEM No.	PART No.	PART NAME	Q'TY / PAGE	Q'TY / PACK	REMARKS
1	6LE08013000	SHAFT-DRV-SCAN-390	1	1/P	
2	6LH08243000	PLY-WIRE-SCAN-430	2	1/P	
3	6LE08088000	ASYS-WIR-RP-SCAN-FRT-390	1	1/P	
4	6LE08089000	ASYS-WIR-RP-SCAN-RER-390	1	1/P	
5	6LA01892000	BRKT-MOT-SCAN	1	1/P	
6	6LE08046000	ASYS-MOTR-SCAN-390	1	1/C	
7	F0-01360000	608ZZNRA2	2	1/P	
8	6LA01900000	PLY/T-2GT84	1	1/P	
9	6LA01903000	BLT/T-232-2M-6	1	1/P	
12	6LA01965000	GLASS-PLATEN	1	1/C	
13	6LH69310000	ASYS-GUIDE-GLASS-H100	1	1/PP	
14 A	6LH69320000	LBL-SCALE-X-L-H100	2	1/KP	NAD
14 B	6LH69319000	LBL-SCALE-X-A-H100	2	1/KP	MJD,ASD,ASU,AUD,ARD,SAD
15 A	6LH69322000	LBL-SCALE-Y-L-H100	2	1/KP	NAD
15 B	6LH69321000	LBL-SCALE-Y-A-H100	2	1/KP	MJD,ASD,ASU,AUD,ARD,SAD
16	6LA08932000	SCREW-ACTR-TRU	1	10/P	
18	6LA01754000	SPE-WIRE-TENS	2	5/P	
19	6LA01973000	PLATE-SHD	1	1/KP	
20	6LE08071100	LID-SCREW-H100	2	5/P	
21	C0-10813000	GP1A73ARJ00F	1	1/P	
22	6LH08254000	LVR-OPEN-SNS-430	1	1/P	
23	4401953270	STOP-RING-4	1	5/P	
101	X0-00077000	S/PAN/SWWP-M3X8-NI	3	10/P	
103	F0-01248000	ESC-0912	4	10/P	
104	X0-02593000	S/TPD3/FHEXM-3X8-ZU3	8	10/P	
105	6LA08935000	SCR-M3X6BISR-NI	2	10/P	
106	X0-00968000	RR/E-7-SS	2	10/P	
107	X0-02074000	S/TPS/BID-4X8-ZU3	2	10/P	

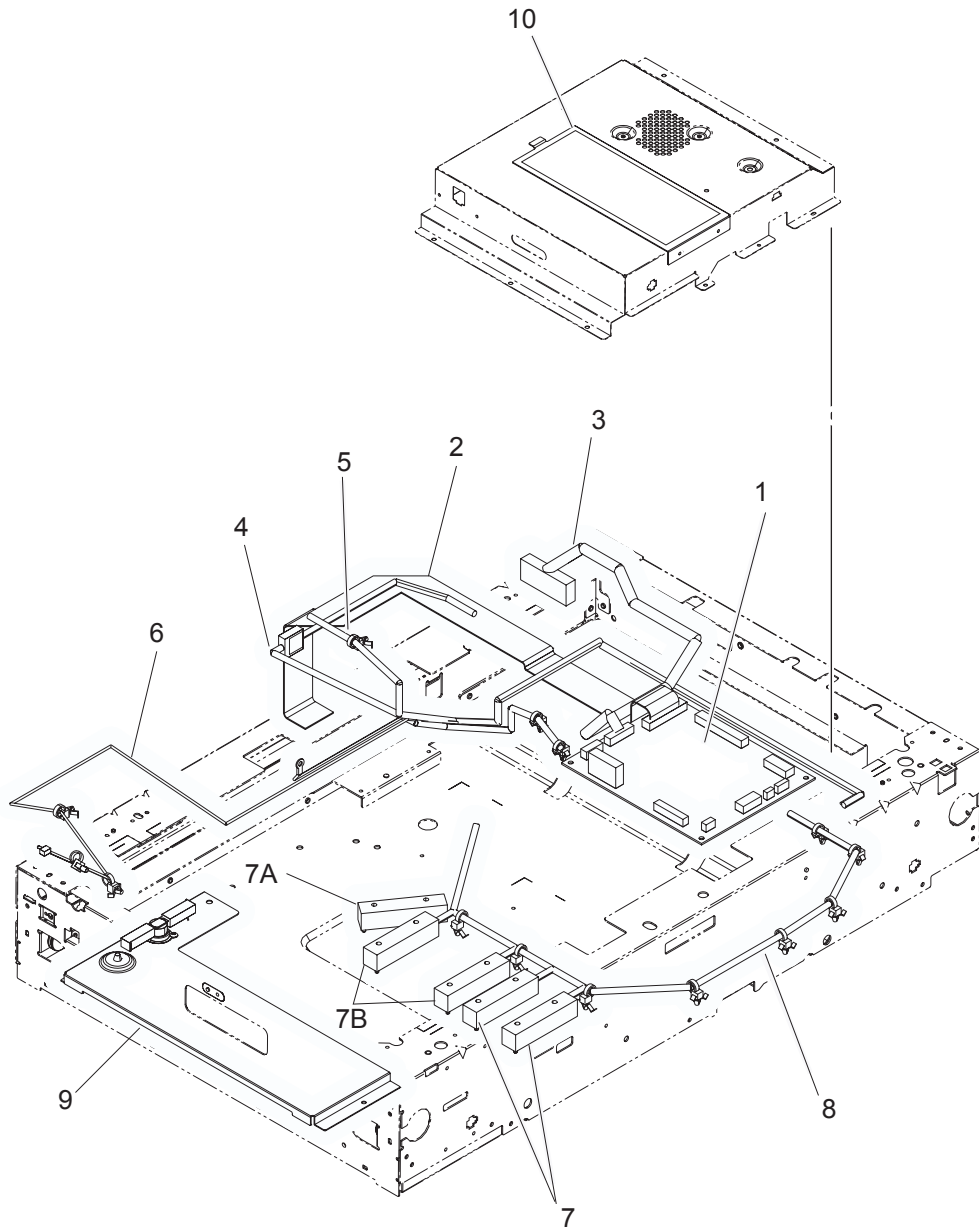




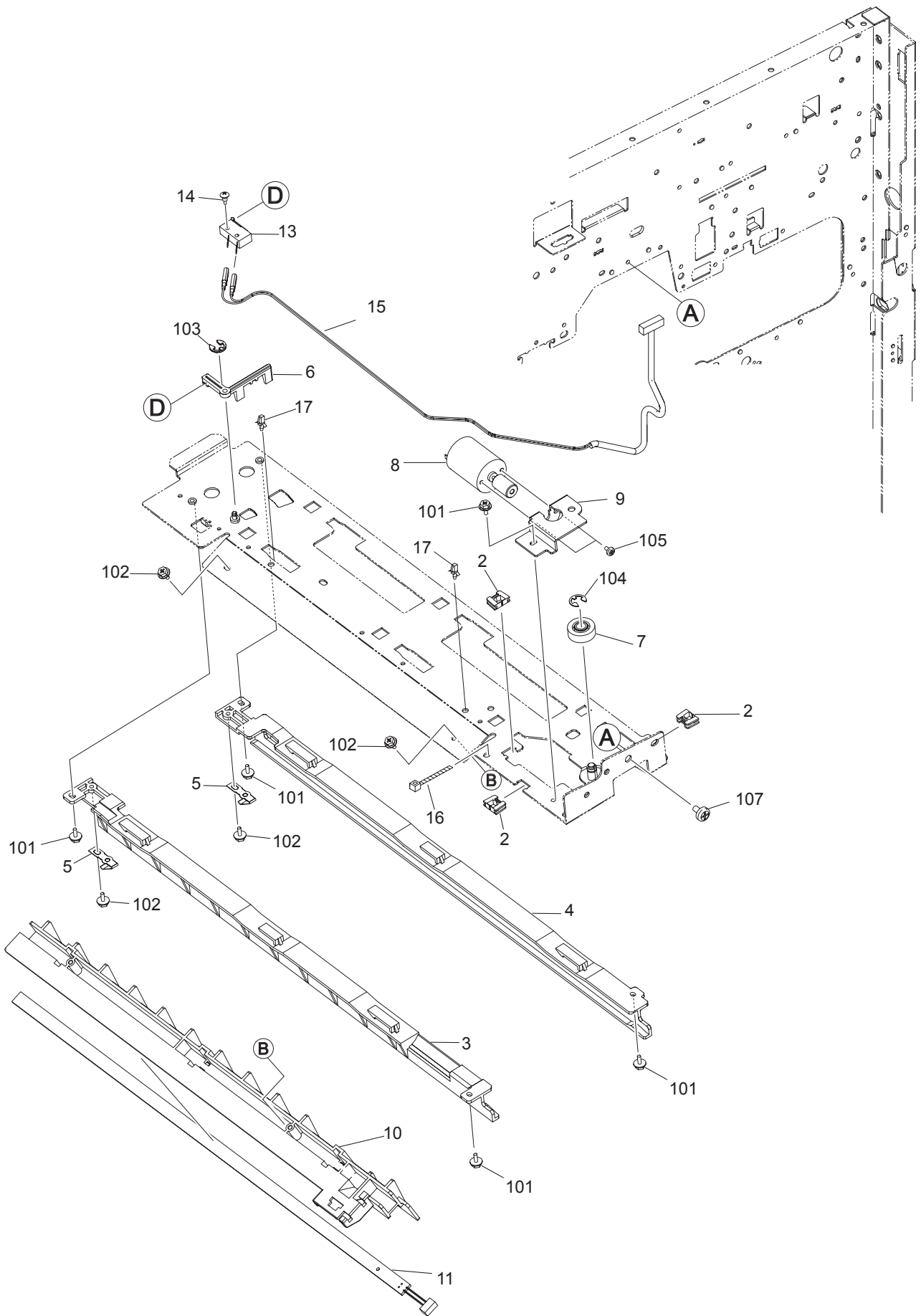
ITEM No.	PART No.	PART NAME	Q'TY / PAGE	Q'TY / PACK	REMARKS
1	6LE08137000	CARRIGE-1-390N	1	1/S	
2	4408604590	FOOT-CRG-3.64	4	5/P	
3	6LE09937000	LAMP-EXPO-390U	1	1/S	
4	6LE09938000	INV-EXPO-390U	1	1/C	
5	6LA01810000	REFLECTOR-LAMP	1	1/PP	
6	6LE09212000	HRNS-INV-390	1	1/P	
7	6LA01817000	GUIDE-WH-CRG1	1	1/P	
51	F0-00120000	ES-0505	1	5/P	
52	X0-00077000	S/PAN/SWWP-M3X8-NI	2	10/P	
53	X0-00430000	S/BID-M3X6-NI	4	10/P	



ITEM No.	PART No.	PART NAME	Q'TY / PAGE	Q'TY / PACK	REMARKS
1	6LE08101000	CARRIGE-2-390	1	1/S	
2	4406516200	FOOT-CRG2-310	2	1/P	
3	6LA01919000	CUSH-CRG2	2	5/P	
4	6LA67394000	ASYS-BKT-PLY-F-C2	1	1/P	
5	6LA67395000	ASYS-BKT-PLY-R-C2	1	1/D	
6	6LA14354000	GUIDE-WH-CRG2-340	1	1/P	
51	X0-00077000	S/PAN/SWWP-M3X8-NI	1	10/P	
52	X0-02592000	S/TPD3/FHEXM-3X6-ZU3	1	10/P	
53	X0-02069000	S/TPS/BID-3X6-ZU3	1	10/P	

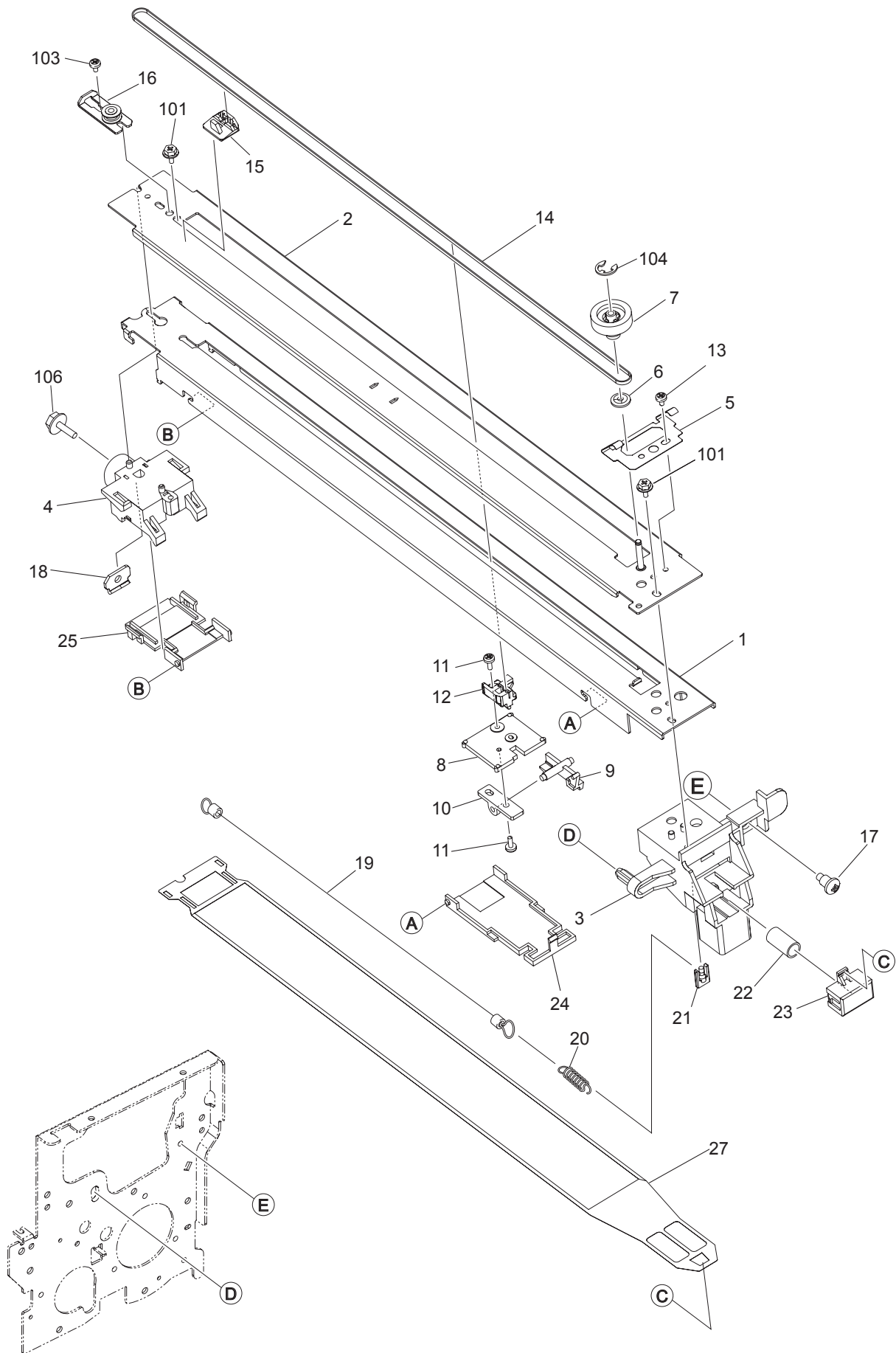


ITEM No.	PART No.	PART NAME	Q'TY / PAGE	Q'TY / PACK	REMARKS
1	6LH70031000	ASYB-PWA-SLG-H100S	1	1/SB	
2	6LH69919000	HRNS-SCN-SYS-H100	1	1/P	
3	6LE09216000	HRNS-SLG-SPLY-390	1	1/P	
4	6LE09217000	HRNS-SCN-MOT-390	1	1/P	
5	6LH69902000	HRNS-SCN-ADF-H100	1	1/P	
6	6LH69817000	HRNS-SCN-SNSR-H100	1	1/P	
7 A	6LE09480000	SNSR-PS-TY1CH97	3	1/C	NAD
7 B	6LE09480000	SNSR-PS-TY1CH97	4	1/C	MJD,ASD,ASU,AUD,ARD,SAD
8 A	6LE09215000	HRNS-APS-L-390	1	1/P	NAD
8 B	6LE09214000	HRNS-APS-A-390	1	1/P	MJD,ASD,ASU,AUD,ARD,SAD
9 B	6LE08097000	ASY-D/H-SCN-BASE-390U	1	1/KP	SAD
9 C	6LE08098000	ASY-D/H-SCN-BASE-390E	1	1/KP	ASD,ASU,AUD
10 B	6LE08103000	ASY-D/H-SCN-LENS-390U	1	1/KP	SAD
10 C	6LE08104000	ASY-D/H-SCN-LENS-390E	1	1/KP	ASD,ASU,AUD

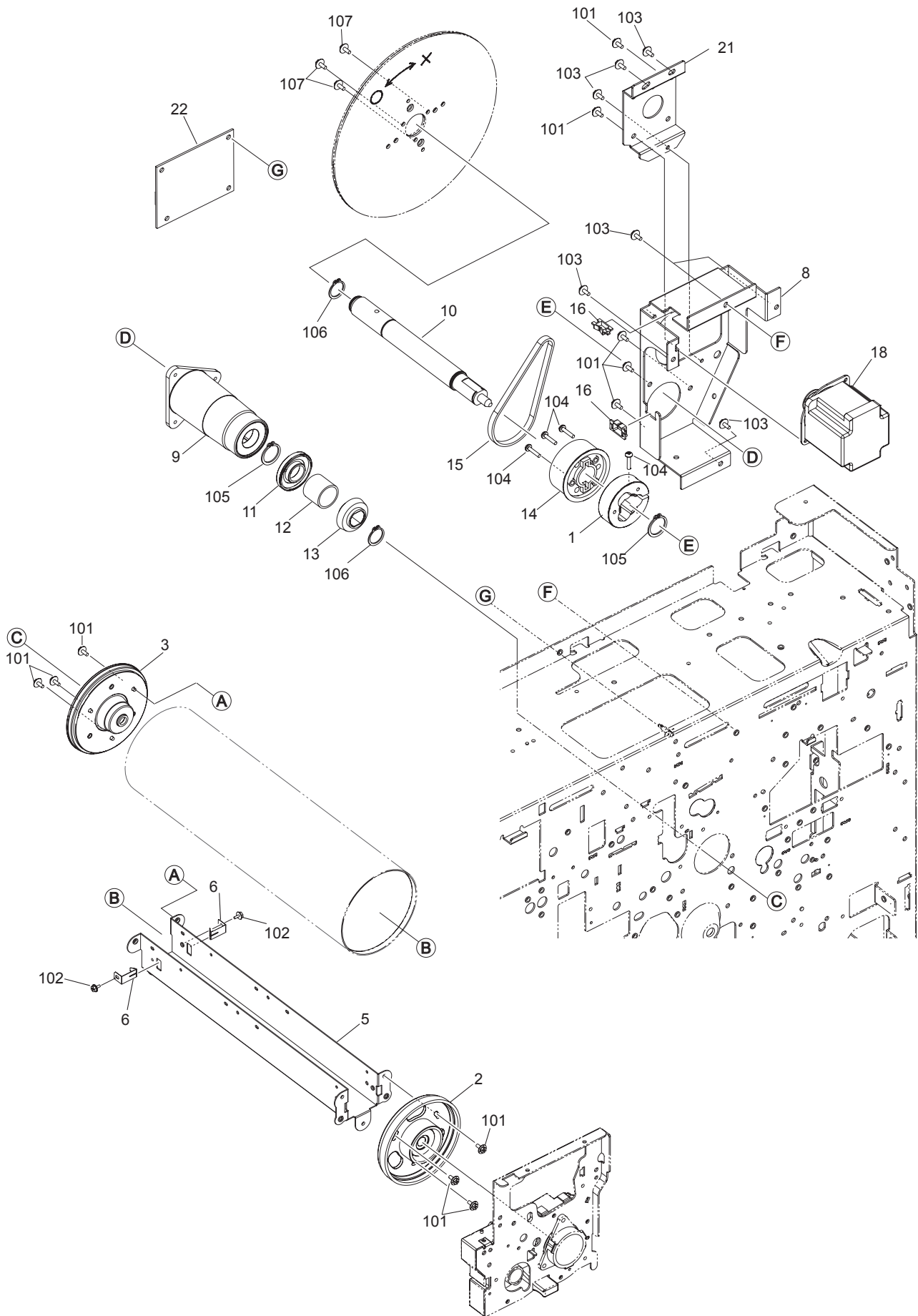


ITEM No.	PART No.	PART NAME	Q'TY / PAGE	Q'TY / PACK	REMARKS
2	F0-00120000	ES-0505	3	5/P	
3	6LA02250000	RAIL-CH-M-L	1	1/PP	
4	6LA02251000	RAIL-CH-M-R	1	1/P	
5	4406330570	SPL-PRESS-CH-R	2	1/P	
6	6LA02252000	LEVER-SW	1	1/P	
7	4406330070	GEAR-20H	1	1/P	
8	6LE04111000	ASYS-MOTR-WCLN-390	1	1/D	
9	6LA02247000	STAY-MOT-CLN	1	1/P	
10	6LE04118000	HOLDER-LAMP-ERS-390	1	1/PP	
11	6LE09407000	LAMP-ERASE-390	1	1/C	
13	E0-12172000	SSM13F3	1	1/D	
14	44204394000	SCREW20*D23	1	10/P	
15	6LE09254000	HRNS-CLN-390	1	1/P	
16	F0-01012000	T18R	1	5/P	
17	4400902490	BAND-PS100	2	5/P	
101	X0-02593000	S/TPD3/FHEXM-3X8-ZU3	5	10/P	
102	X0-02247000	S/TPP/FHEXM-3X8-NI	4	10/P	
103	X0-00963000	RR/E-2-SS	1	10/P	
104	X0-00966000	RR/E-5-SS	1	10/P	
105	X0-01951000	S/BID-M3X3-NC	2	10/P	
107	X0-02589000	S/TPD3/FHEXM-4X8-ZU3	1	10/P	

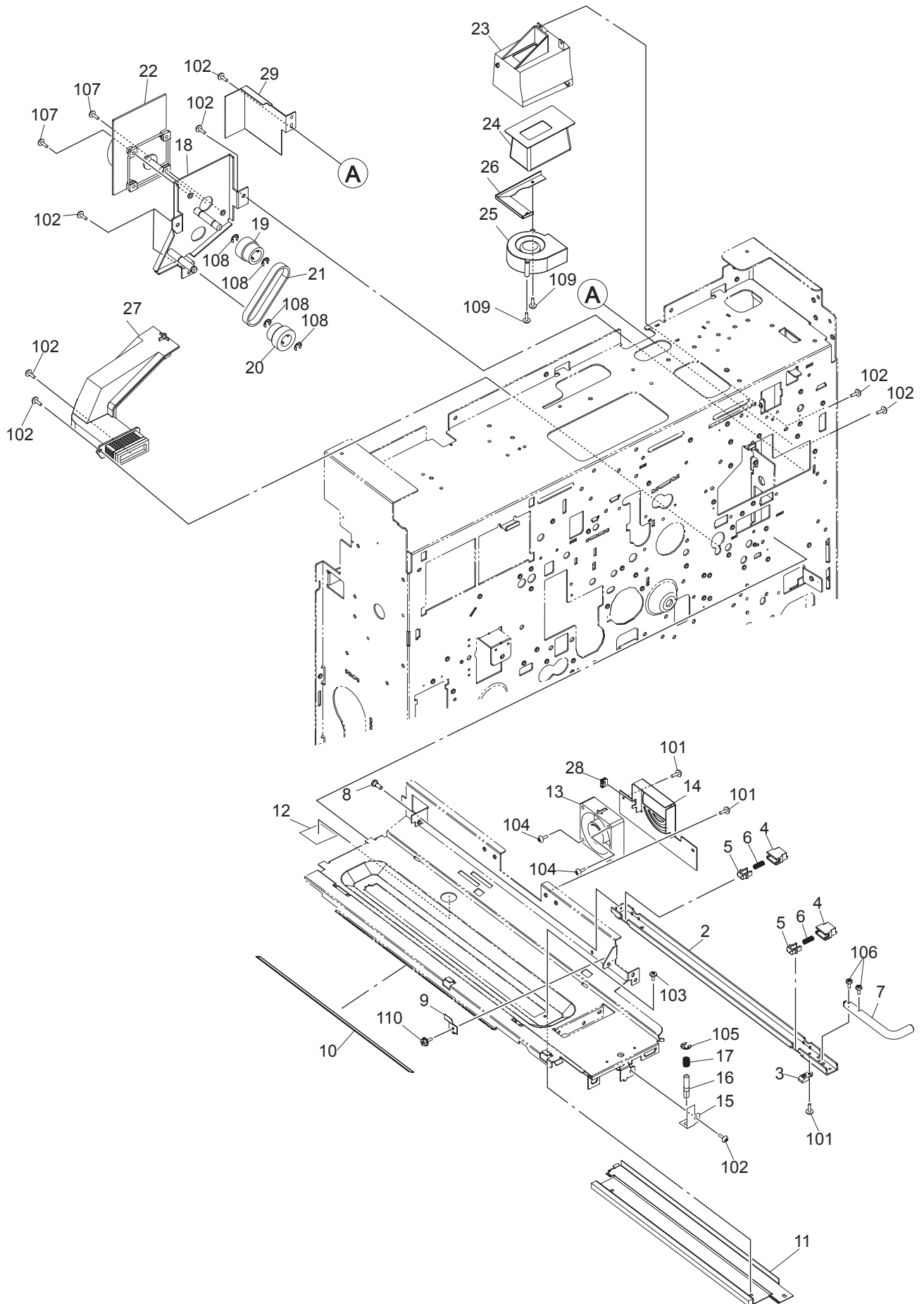




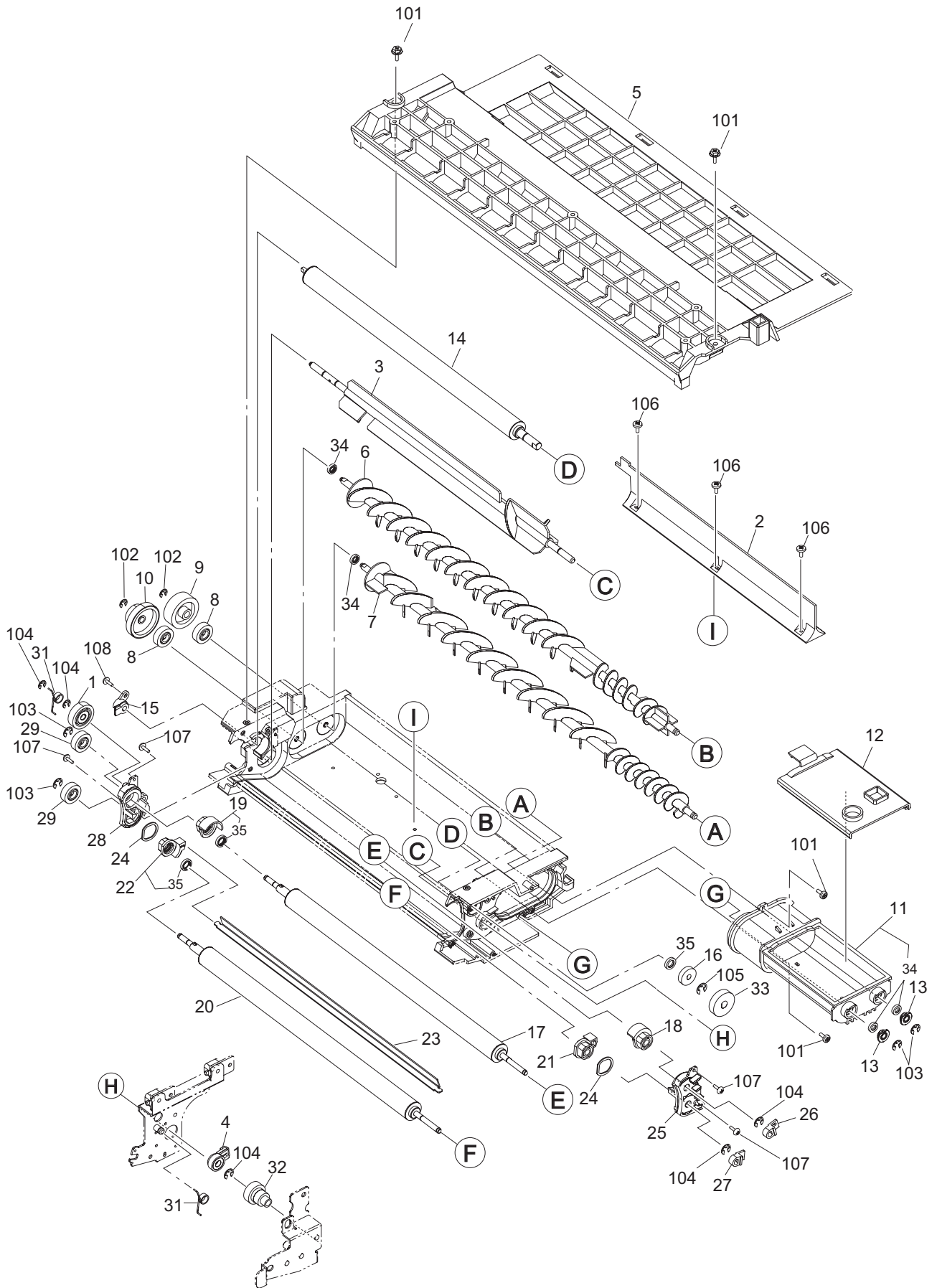
ITEM No.	PART No.	PART NAME	Q'TY / PAGE	Q'TY / PACK	REMARKS
1	6LA02255000	CASE-CH-M	1	1/P	
2	6LA02295000	K-GUIDE-CH-L	1	1/P	
3	6LA02258000	TERMINAL-M-F	1	1/P	
4	6LA02297000	TERMINAL-M-R	1	1/P	
5	6LA02291000	SPL-PRESS-CH-F	1	5/P	
6	4408303080	FLANGE-10-3-1.5	1	1/P	
7	4406330290	GEAR-PLY-24-12	1	1/P	
8	6LA02292000	BASE-CLN-CH-M	1	1/P	
9	6LA02274000	K-BASE-PAD-CH-M	1	1/P	
10	6LA02276000	HLDR-BASE-PAD	1	1/P	
11	F0-00050000	RENY/PH3-6	2	10/P	
12	6LA02277000	BASE-CLN-CH	1	1/P	
13	6LA08935000	SCR-M3X6BISR-NI	1	10/P	
14	4401763820	BELT-2M-800-2	1	1/P	
15	6LA02278000	PUSHER-SW-M	1	1/P	
16	6LE04142000	ASYS-BRKT-PLY-1-M	1	1/P	
17	6LE69956000	SCREW-LOCK-ARM	1	5/P	
18	4406330550	BRKT-PLUG	1	1/P	
19	4402308040	WIRE-CH-060*398	1	5/S	
20	4407402190	SPRING-TENS-CH	1	5/P	
21	4402308190	HANGER-WIRE-CH	1	1/P	
22	6LA02262000	SPC-TENSIONER	1	5/P	
23	6LA14299000	TENSIONER-GRID	1	1/P	
24	6LA02263000	LID-CH-M-F	1	1/P	
25	6LA02293000	LID-CH-M-R	1	1/P	
27	6LA02260000	GRID-340	1	1/KP	
101	X0-02247000	S/TPP/FHEXM-3X8-NI	2	10/P	
103	X0-02113000	S/PAN-M3X4-NI	1	10/P	
104	X0-00963000	RR/E-2-SS	1	10/P	
106	X0-00170000	S/PAN-M4X8-SS	1	10/P	



ITEM No.	PART No.	PART NAME	Q'TY / PAGE	Q'TY / PACK	REMARKS
1	6LE16210000	FLNG-FLY-390	1	1/P	
2	6LA02225000	K-FLG-DRUM-F	1	1/D	
3	6LA02228000	ASY-FLG-DRUM-R	1	1/D	
5	4406331570	BRKT-JOINT-FLG	1	1/D	
6	4406331580	SPL030-S304-DRV	2	1/P	
8	6LA02266000	BRKT-DRV-DRUM	1	1/P	
9	6LA02267000	K-HSG-SFT-BRG	1	1/D	
10	6LA02269000	SHAFT-DRUM-20-C	1	1/P	
11	4406331740	CLR-COUP-SUB-C	1	1/P	
12	4406331750	SPC-235-180-300	1	1/P	
13	4406331650	CPG-DRUM-300	1	1/P	
14	6LE04147000	ASYS-PLY/T-3GT056	1	1/P	
15	4406331240	BLT/T-3GT276-60	1	1/P	
16	F0-01248000	ESC-0912	2	10/P	
18	6LE09158000	MOTRS-DRUM-390	1	1/C	
21	6LE04117000	BRKT-MOT-DRUM-390	1	1/P	
22	6LE09183000	PWA-F-MOT-DRTM-390	1	1/C	
101	X0-02235000	S/FHEXM-M4X8-NI	11	10/P	
102	X0-02592000	S/TPD3/FHEXM-3X6-ZU3	2	10/P	
103	X0-02589000	S/TPD3/FHEXM-4X8-ZU3	7	10/P	
104	X0-02004000	S/PAN-M4X16-NI	4	10/P	
105	X0-01241000	RR/C/EXT-20-B	2	10/P	
106	X0-01240000	RR/C/EXT-17-B	2	10/P	
107	X0-01981000	S/PAN/SWWP-M4X10-NI	3	10/P	

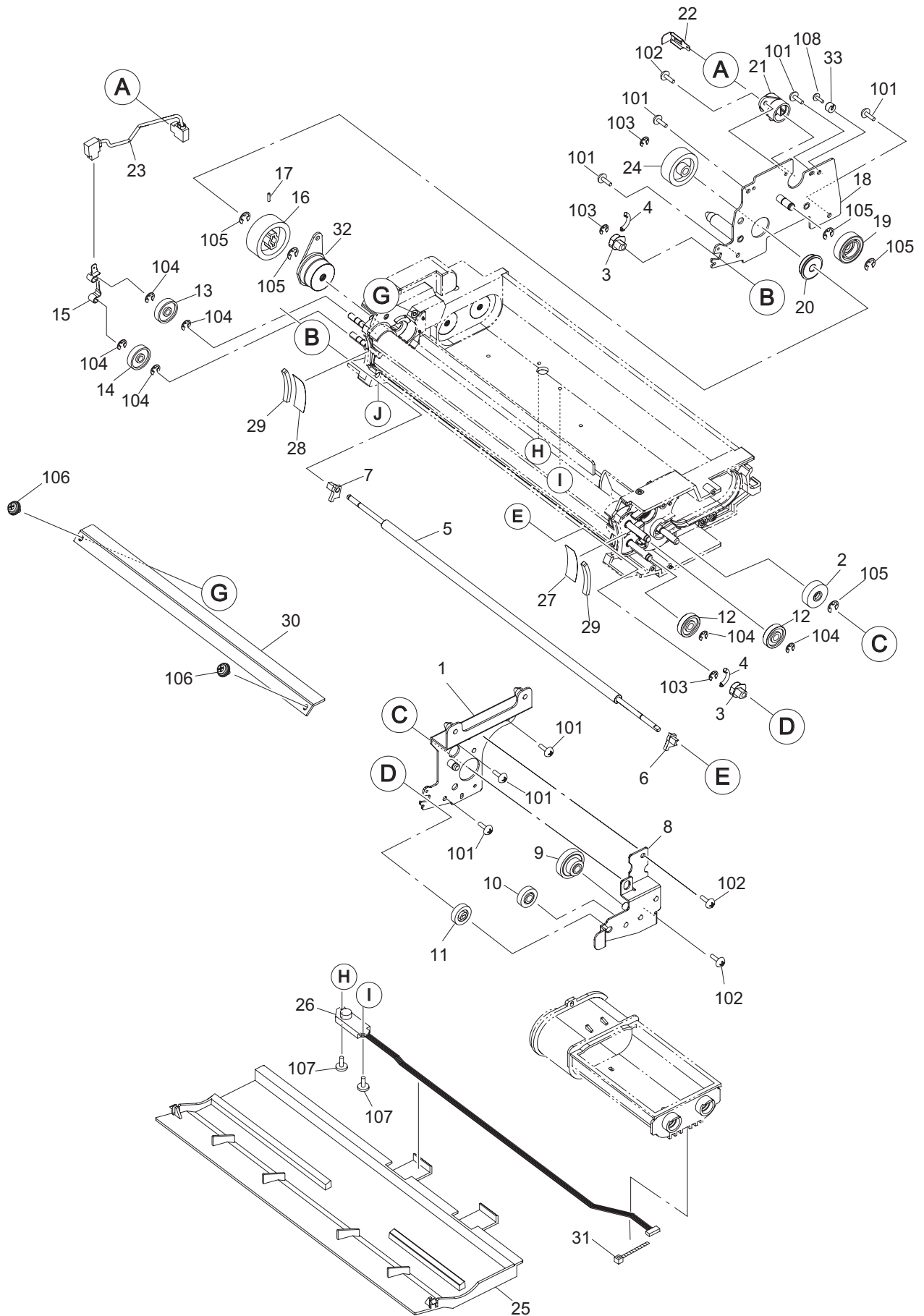


ITEM No.	PART No.	PART NAME	Q'TY / PAGE	Q'TY / PACK	REMARKS
2	4406333940	BKT-SET-DEV-300	1	1/P	
3	4406333930	PUSHER-GUIDE	1	5/P	
4	4402203810	HOLDER-PUSHER	2	1/P	
5	4402203800	PUSHER-DEV	2	1/P	
6	6LA08947000	SPC057-090-0210	2	5/P	
7	6LA02482000	LEV-SET-DEV-340	1	1/P	
8	6LA08930000	PIN-BKT-CON-H	1	10/P	
9	4401767560	SPL-SET-DEV	1	1/P	
10	4408847750	INS-ENT-DRM-85	1	1/KP	
11	6LA15093000	K-BKT-BRS-RGT-340-U	1	1/KP	
12	4406333950	MYLAR-STAY-DEV	1	1/KP	
13	6LE09167000	FAND-6015-390	1	1/D	
14	6LA02485000	BRKT-FAN-DUCT	1	1/P	
15	6LA03181000	BRKT-STUD-L	1	1/P	
16	6LA03182000	STUD-TNR-L	1	5/P	
17	6LA03183000	SPC-TNR-L	1	5/P	
18	4406333610	K-BRKT-DRV-DEV	1	1/P	
19	4406333680	K-GP48-3GT25	1	1/P	
20	4406333690	K-GP25-3GT25	1	1/P	
21	4406333670	BLT/T-195-3GT-9	1	1/P	
22	6LE09160000	MOTRD-DEV-390	1	1/C	
23	6LE06330000	BOX-FILTER-FAN-390	1	1/P	
24	4406334920	FILTER-DEV-F300	1	1/C	
25	6LE09187000	FAND-DEV-390	1	1/D	
26	6LE04527000	PLT-NUT-FAN-390	1	1/P	
27	6LA02510000	K-DUCT-DEV	1	1/P	
28	F0-00120000	ES-0505	1	5/P	
29	6LA01079000	WALL-MOT-DEV	1	1/P	
101	X0-02593000	S/TPD3/FHEXM-3X8-ZU3	3	10/P	
102	X0-02589000	S/TPD3/FHEXM-4X8-ZU3	8	10/P	
103	X0-02235000	S/FHEXM-M4X8-NI	1	10/P	
104	X0-02067000	S/TPS/PAN-4X20-ZU3	2	10/P	
105	X0-00967000	RR/E-6-SS	1	10/P	
106	X0-02060000	S/TPS/PAN-3X16-ZU3	2	10/P	
107	X0-02590000	S/TPD3/FHEXM-4X10-ZU3	2	10/P	
108	X0-00968000	RR/E-7-SS	4	10/P	
109	X0-00461000	S/BID-M4X35-NI	2	10/P	
110	6LA08935000	SCR-M3X6BISR-NI	1	10/P	

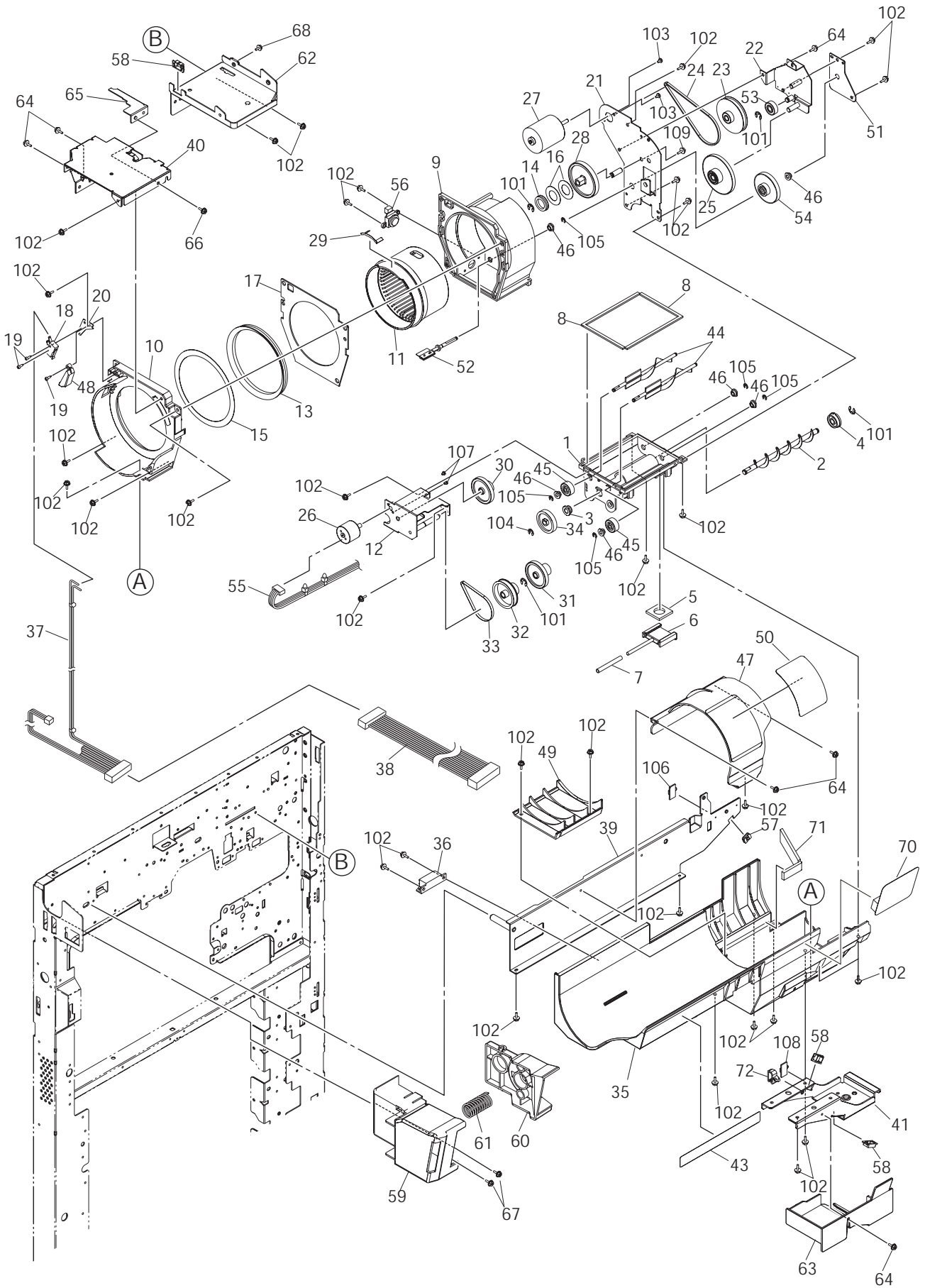


ITEM No.	PART No.	PART NAME	Q'TY / PAGE	Q'TY / PACK	REMARKS
1 A	6LE04535000	ASYS-GEAR-10H023-R	1	1/P	e-STUDIO555/655
1 B	6LE04538000	ASYS-GEAR-10H020-R	1	1/P	e-STUDIO755/855
2	4406332690	WALL-MIXER-300	1	1/C	
3	4406332460	PADDLE-DEV-300	1	1/P	
4	6LA02416000	ASYS-BUSH-PDL-F	1	1/P	
5	6LE04525000	ASY-COV-DEV-390	1	1/C	
6	6LA02410000	MIXER-1-340	1	1/C	
7	6LA02412000	K-MIXER-2-340	1	1/C	
8	F0-01204000	626DDM3MTLY13	2	1/P	
9	4406332590	GEAR-08S045-06	1	1/P	
10 A	6LE04513000	GEAR-10H19_08S45-390	1	1/P	e-STUDIO555/655
10 B	4406332600	GG10H024/08S045	1	1/P	e-STUDIO755/855
11	6LA02430000	K-NOZZLE-MIXER	1	1/P	
12	6LA02436000	COV-NOZLE-MIX	1	1/P	
13	6LA65696000	BUSH-6X12X4R8F	2	5/P	
14	4406332450	ROLLER-MGN-TR	1	1/C	
15 A	6LE04505000	BUSH-MGHI-TR-R-390	1	1/P	e-STUDIO555/655
15 B	4406332740	BUSH-MGHI-TR-R	1	1/P	e-STUDIO755/855
16	F0-01206000	L-1680DDRPOP25LY13	1	1/P	
17	6LA02380000	ROLLER-MGN-U340	1	1/C	
18	6LA02398000	SHIELD-MG-U-F-6	1	1/P	
19	4406332770	K-SHIELD-MG-U-R	1	1/P	
20	6LA02381000	ROLLER-MGN-L340	1	1/C	
21	6LA02399000	SHIELD-MG-L-F-6	1	1/P	
22	4406332800	K-SHIELD-MG-L-R	1	1/P	
23	4406332820	SCRAPER-MG-L	1	1/P	
24	4406333280	SEAL-MG-SIDE2	2	5/P	
25	6LA02386000	K-HLDR-MG-F340	1	1/P	
26	6LA02384000	HLDR-MG-HI-L-6	1	1/P	
27	6LA02385000	HLDR-MG-HI-U-6	1	1/P	
28 A	6LE04503000	ASYS-HLDR-MG-R-390	1	1/P	e-STUDIO555/655
28 B	4406332530	K-HLDR-MG-R	1	1/P	e-STUDIO755/855
29	4406332650	GEAR-10H017-MG	2	1/P	
30	6LE04512000	GEAR-10H025-390	1	1/P	
31	6LA08940000	SPA-PSH-MG-100	2	5/P	
32 A	6LE04510000	GEAR-10H015_08S16-390	1	1/P	e-STUDIO555/655
32 B	6LA02454000	GEAR-10H018-PDF	1	1/P	e-STUDIO755/855
33	4406332550	GEAR-10H023-TR	1	1/P	
34	4401949290	SEAL-VC6-10-2.5	4	1/P	
35	4406333150	SEAL-VC8-12-2.5	3	1/P	
101	X0-02231000	S/FHEXM-M3X8-NI	4	10/P	
102	X0-00964000	RR/E-3-SS	2	10/P	
103	X0-00965000	RR/E-4-SS	4	10/P	
104	X0-00966000	RR/E-5-SS	5	10/P	
105	X0-00968000	RR/E-7-SS	1	10/P	
106	X0-01724000	S/BID-M3X4-BSNI	3	10/P	
107	X0-00057000	S/PAN-M3X6-NI	4	10/P	
108	X0-02247000	S/TPP/FHEXM-3X8-NI	1	10/P	





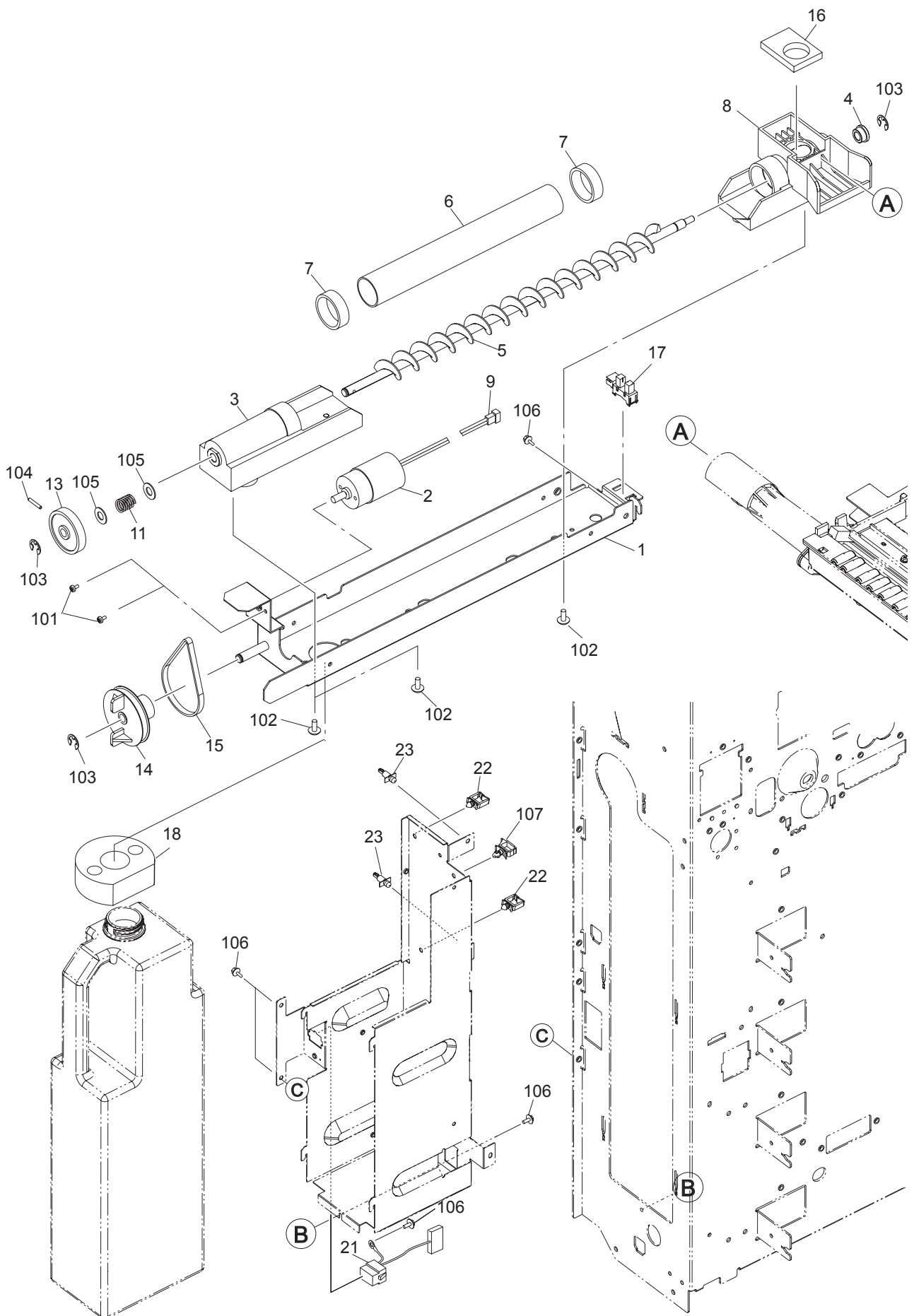
ITEM No.	PART No.	PART NAME	Q'TY / PAGE	Q'TY / PACK	REMARKS
1 A	6LE04504000	ASYS-PLT-DEV-F-390	1	1/P	e-STUDIO555/655
1 B	6LA02403000	K-PLT-DEV-F-340	1	1/P	e-STUDIO755/855
2	6LE04536000	ASYS-GEAR-10H019-F	1	1/P	
3	6LA02423000	BUSH-GAP-DEV-RE	2	5/P	
4	6LA02448000	SPRING-RE-340	2	5/P	
5	6LA02422000	ROLLER-RE	1	1/P	
6	6LA02428000	SHLD-ROL-RE-F	1	1/P	
7	6LA02429000	SHLD-ROL-RE-R	1	1/P	
8 A	6LE04502000	ASYS-BRKT-DEV-RE-390	1	1/P	e-STUDIO555/655
8 B	6LA02440000	K-BRKT-DEV-RE	1	1/P	e-STUDIO755/855
9	6LA02451000	GG08S030/08S016	1	1/P	
10	6LA02452000	GEAR-08S020-IR	1	1/P	
11	6LA02453000	GEAR-08S020-RE	1	1/P	
12	6LA02409000	ROLLER-GUIDE-6	2	1/P	
13	4406332850	ROLLER-GUIDE	1	1/P	
14	4406333300	ROLLER-GUIDE-RL	1	1/P	
15	6LA02460000	PLT-BIAS-MG-340	1	1/P	
16 A	6LE04512000	GEAR-10H025-390	1	1/P	e-STUDIO555/655
16 B	4406332630	GEAR-10H031-PDR	1	1/P	e-STUDIO755/855
17	X0-00980000	P/PRL/AH7-2X10-SS	1	10/P	
18 A	6LE04514000	ASYS-PLT-DEV-R-390	1	1/D	e-STUDIO555/655
18 B	6LA02405000	K-PLT-DEV-R-340	1	1/P	e-STUDIO755/855
19	6LE04537000	ASYS-GEAR-10H024-IDR	1	1/P	
20	4407637290	BRG-626-DD-NXR	1	1/P	
21	4406333080	TERM-BIAS-DEV	1	1/P	
22	4406333090	PLT-BIAS-DEV	1	1/P	
23	6LA07416000	HRNS-BIAS-MG-340	1	1/P	
24	4406332640	GEAR-10H027-PDR	1	1/P	
25	6LE04543000	ASYS-DUCT-DEV-390	1	1/PP	
26	6LE09165000	SNSR-ATC-390	1	1/C	
27	6LA02425000	SEAL-SIDE-DR-F	1	5/P	
28	6LA02426000	SEAL-SIDE-DR-R	1	5/P	
29	4406333580	SEAL-SIDE-D-FLT	2	1/P	
30	4406333260	K-DOCTOR-MG-TR	1	1/P	
31	F0-00017000	T18S	1	10/P	
32	6LA02414000	ASYS-BUSH-PDL-R	1	1/P	
33	6LE04520000	DETECTOR-DEV-390	1	1/P	
101	X0-02247000	S/TPP/FHEXM-3X8-NI	7	10/P	
102	X0-02593000	S/TPD3/FHEXM-3X8-ZU3	3	10/P	
103	X0-00964000	RR/E-3-SS	3	10/P	
104	X0-00965000	RR/E-4-SS	6	10/P	
105	X0-00966000	RR/E-5-SS	5	10/P	
106	X0-00067000	S/PAN/SWWP-M3X6-BSNI	2	10/P	
107	X0-01724000	S/BID-M3X4-BSNI	2	10/P	
108	X0-02592000	S/TPD3/FHEXM-3X6-ZU3	1	10/P	



ITEM No.	PART No.	PART NAME	Q'TY / PAGE	Q'TY / PACK	REMARKS
1	6LE08502000	HOP-SUB-TNR-390	1	1/P	
2	6LA03087000	AUG-HOP-SUB-N	1	1/P	
3	6LA02367000	BUSH-0613-06F-M	1	5/P	
4	6LA03220000	BUSH-HOPPER	1	5/P	
5	6LA03085000	SEAL-SHUTTER-N	1	5/KP	
6	6LA03083000	SHUTTER-HOP-N	1	1/P	
7	6LA03084000	SPC-SHT-N	1	1/P	
8	6LE08578000	SEAL-HOPPER-N-390	2	1/KP	
9	6LE08503000	HOLDER-CPL-390	1	1/P	
10	6LE08540000	COVER-CPL-390	1	1/D	
11 A	6LE08587600	ASYS-CPL-BTL-H100HU	1	1/PP	ARD,NAD
11 B	6LE08587700	ASYS-CPL-BTL-H100HE	1	1/PP	MJD
11 C	6LE08587300	ASYS-CPL-BTL-390D	1	1/PP	ASD,ASU,AUD,SAD
12	6LE08517000	ASYS-BKT-MOT-AUG	1	1/P	
13	F0-01343000	VR90A-BM1231A0	1	5/P	
14	F0-01344000	VR14A-BM1210A0	1	1/P	
15	6LA03106000	SEAL-WAS-90108	1	5/P	
16	6LA03107000	SEAL-WAS-1426	2	5/P	
17	6LA03108000	GSKT-TNR-DRV	1	1/P	
18	E0-12172000	SSM13F3	1	1/D	
19	44204394000	SCREW20*D23	3	10/P	
20	6LA03098000	BRKT-SW-340	1	1/P	
21	6LE08509000	BRKT-DRV-BTL1-390	1	1/P	
22	6LE08511000	ASYS-BKT-DR-BTL2-390	1	1/P	
23	6LA03236000	GP08S17/2GT072	1	1/P	
24	6LA03146000	BLT/T-244-2GT-4	1	1/P	
25	6LE08554000	GG08S066/10S017/08S018	1	1/P	
26	6LE09546000	MOTRD-AUG-390CW	1	1/D	
27	6LE09626000	MOTRD-TNR-390N	1	1/C	
28	6LA03145000	GEAR10S047-06	1	1/P	
29	6LE08583000	MYLAR-CPL	1	1/C	
30	6LE08522000	GG08S043/08S017	1	1/P	
31	6LE08523000	GG08S044/08S017	1	1/P	
32	6LE08521000	GP08S018/2GT058	1	1/P	
33	6LA04627000	BLT/T-154-2GT-4	1	1/P	
34	6LA03140000	GEAR-08S036-06	1	1/P	
35	6LE08524000	HLDR-BOTTLE-390	1	1/PP	
36	F0-01393000	CA-0124B	1	1/P	
37	6LE09555000	HRNS-TNR-HOP2-390	1	1/P	
38	6LE09646000	HRNS-TNR-HOP1-390	1	1/P	
39	6LE08533000	ASYS-BKT-TNR-U-390	1	1/P	
40	6LE08528000	BRKT-TNR-U-SUB-390	1	1/P	
41	6LE08529000	BRKT-TNR-L-390	1	1/P	
42	6LE08584000	STUD-N-A-390	1	1/P	
43	6LE08565000	STICK-DRV-TNR-390	1	1/KP	
44	6LE08541000	PDL-TNR-DRV-SUB	2	1/P	
45	6LA03089000	GEAR-08S020-04	2	1/P	
46	6LA02920000	BUSH-0410-05F-M	6	5/P	
47	6LE08567000	ASYS-COVER-BTL-390	1	1/PP	
48	6LE08580000	COVER-SW-390	1	1/P	
49	6LE08525000	COV-HLDR-BTL	1	1/P	
50	6LE13138000	LBL-O-ALI-TNR-390	1	1/KP	
51	6LE08555000	BRKT-CLN-SENS	1	1/P	
52	6LE08569000	ASYS-PDL-SENS	1	1/C	
53	6LE08568000	GEAR-08S20-7	1	1/P	
54	6LE08556000	GEAR-08S50-5	1	1/P	
55	6LE09256000	HRNS-TNRHOP-MOT-390	1	1/P	
56	C0-10817000	TSP15D10C-01	1	1/C	
57	F0-00120000	ES-0505	1	5/P	
58	F0-01248000	ESC-0912	3	10/P	
59	6LE08534000	HLDR-PLGR-BTL-390	1	1/P	
60	6LA03155000	PLGR-CATCH-BLT	1	1/P	
61	6LA03153000	SPC-CATCH	1	5/P	

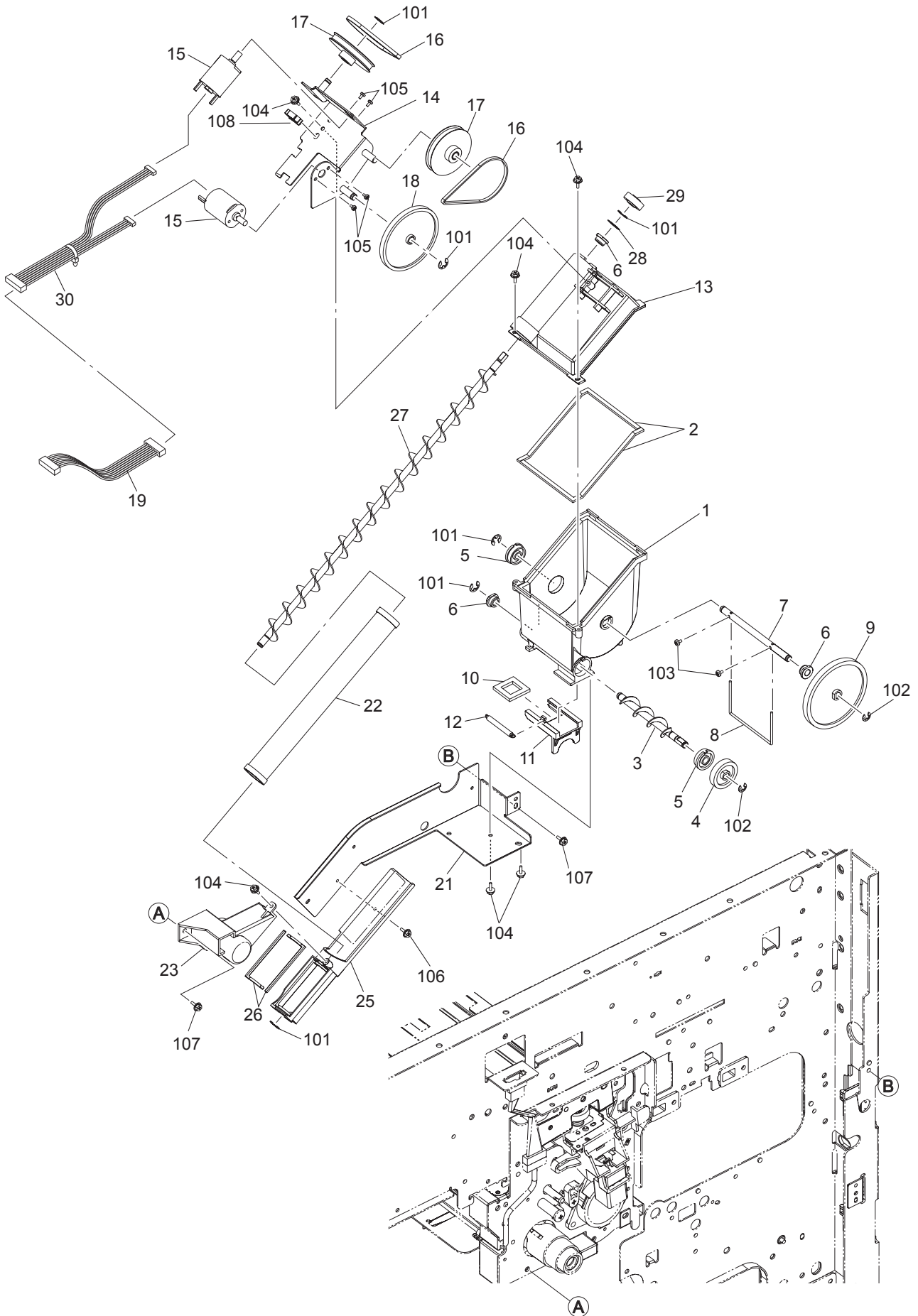
ITEM No.	PART No.	PART NAME	Q'TY / PAGE	Q'TY / PACK	REMARKS
62	6LE08561000	ASYS-BRKT-TNR-N-390	1	1/P	
63	6LE04424000	COVER-DRV-TNR-390	1	1/PP	
64	X0-02593000	S/TPD3/FHEXM-3X8-ZU3	9	10/P	
65	6LA03188000	BRKT-TNR-STP	1	1/P	
66	X0-02235000	S/FHEXM-M4X8-NI	1	10/P	
67	X0-02589000	S/TPD3/FHEXM-4X8-ZU3	4	10/P	
68	X0-02592000	S/TPD3/FHEXM-3X6-ZU3	1	10/P	
69	6LE08579000	LBL-ORG-TNR	1	1/KP	
70	6LE08585000	SEAL-HLDR-BTL-F	1	1/KP	
71	6LE08586000	SEAL-HLDR-BTL-R	1	1/KP	
101	X0-00966000	RR/E-5-SS	5	10/P	
102	X0-02247000	S/TPP/FHEXM-3X8-NI	28	10/P	
103	X0-02113000	S/PAN-M3X4-NI	2	10/P	
104	X0-00965000	RR/E-4-SS	1	10/P	
105	X0-00964000	RR/E-3-SS	5	10/P	
106	4407685930	HOLDER-WH	1	5/P	
107	X0-02270000	S/PAN-M2.6X2.5-NI	2	10/P	
108	F0-00664000	MWC-2S	1	1/P	
109	X0-02231000	S/FHEXM-M3X8-NI	1	10/P	



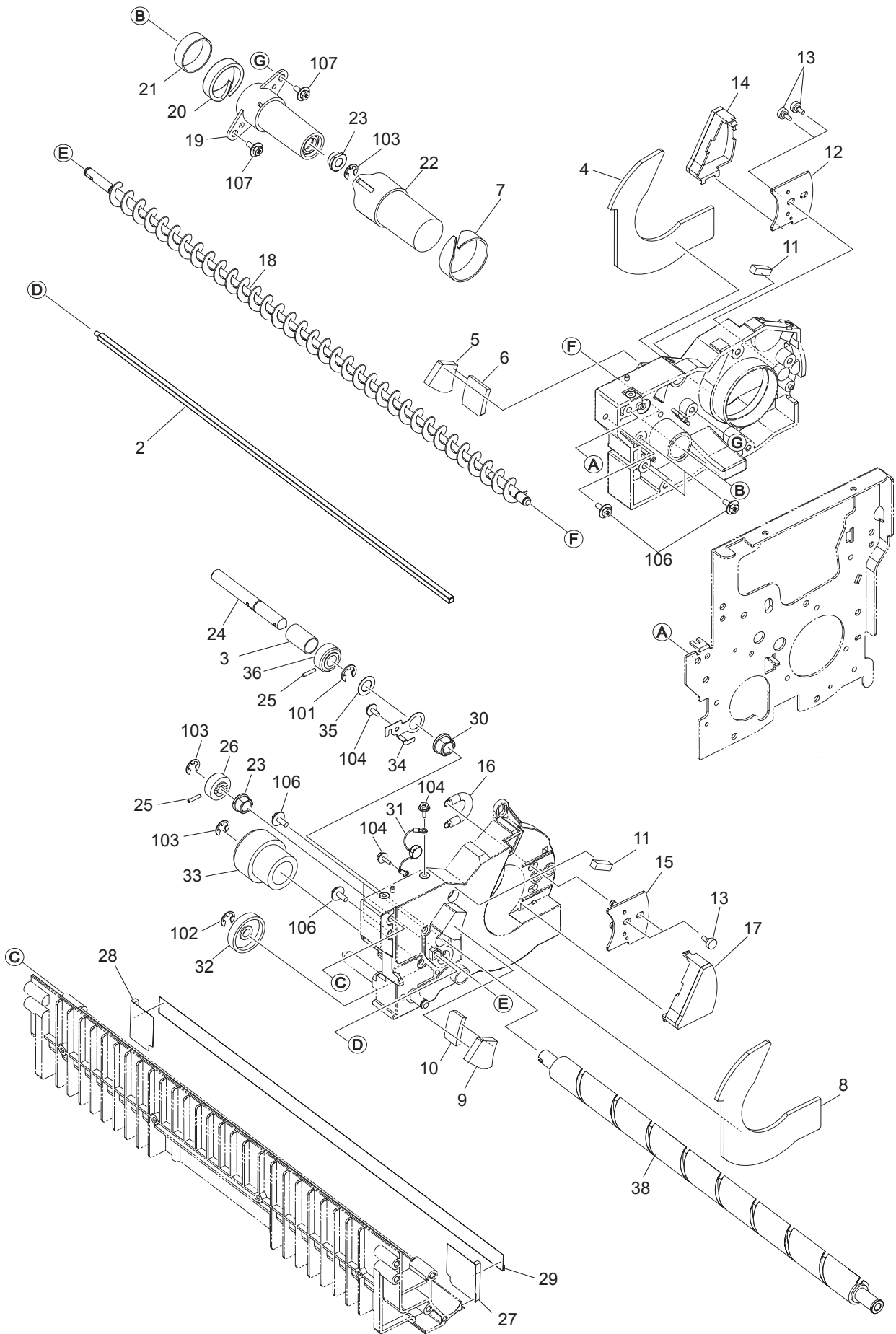


ITEM No.	PART No.	PART NAME	Q'TY / PAGE	Q'TY / PACK	REMARKS
1	6LE08564000	ASYS-STAY-AUG-390	1	1/P	
2	6LE09545000	MOTRD-AUG-390CCW	1	1/D	
3	6LA03042000	ASYS-TERM-AUG-L	1	1/P	
4	6LA02367000	BUSH-0613-06F-M	1	5/P	
5	6LA03051000	AUGER-U-TNR-340	1	1/KP	
6	6LA03050000	PIPE-20-22-164	1	1/P	
7	4401763290	SEAL-PIPE	2	5/P	
8	6LA03052000	TERMINAL-AUG-R	1	1/P	
9	6LE09198000	HRNS-AUG-MOT-390	1	1/P	
11	6LA03054000	SPC080-060-0120	1	5/P	
13	4401763230	GEAR-30	1	1/P	
14	6LA03048000	GP10S015/2GT063	1	1/P	
15	6LA03049000	BLT/T-164-2GT-4	1	1/P	
16	4406327440	SEAL-TERM-AUG-L	1	5/P	
17	C0-10813000	GP1A73ARJ00F	1	1/P	
18	6LA03056000	SEAL-BAG-U-TNR	1	5/P	
21	6LE09128000	HRNS-LGC-FIN-390	1	1/P	
22	F0-01243000	LWS-1211Z	2	5/P	
23	F0-00342000	SPLSN-6U	2	5/P	
101	X0-02270000	S/PAN-M2.6X2.5-NI	2	10/P	
102	X0-02251000	S/TPP/FHEXM-4X8-NI	3	10/P	
103	X0-00966000	RR/E-5-SS	3	10/P	
104	X0-01526000	P/PRL/AH7-2X12-SS	1	10/P	
105	X0-00946000	W/PL/PJO-6-SS	2	10/P	
106	X0-02589000	S/TPD3/FHEXM-4X8-ZU3	6	10/P	
107	F0-00736000	LWS-0711Z	1	5/P	

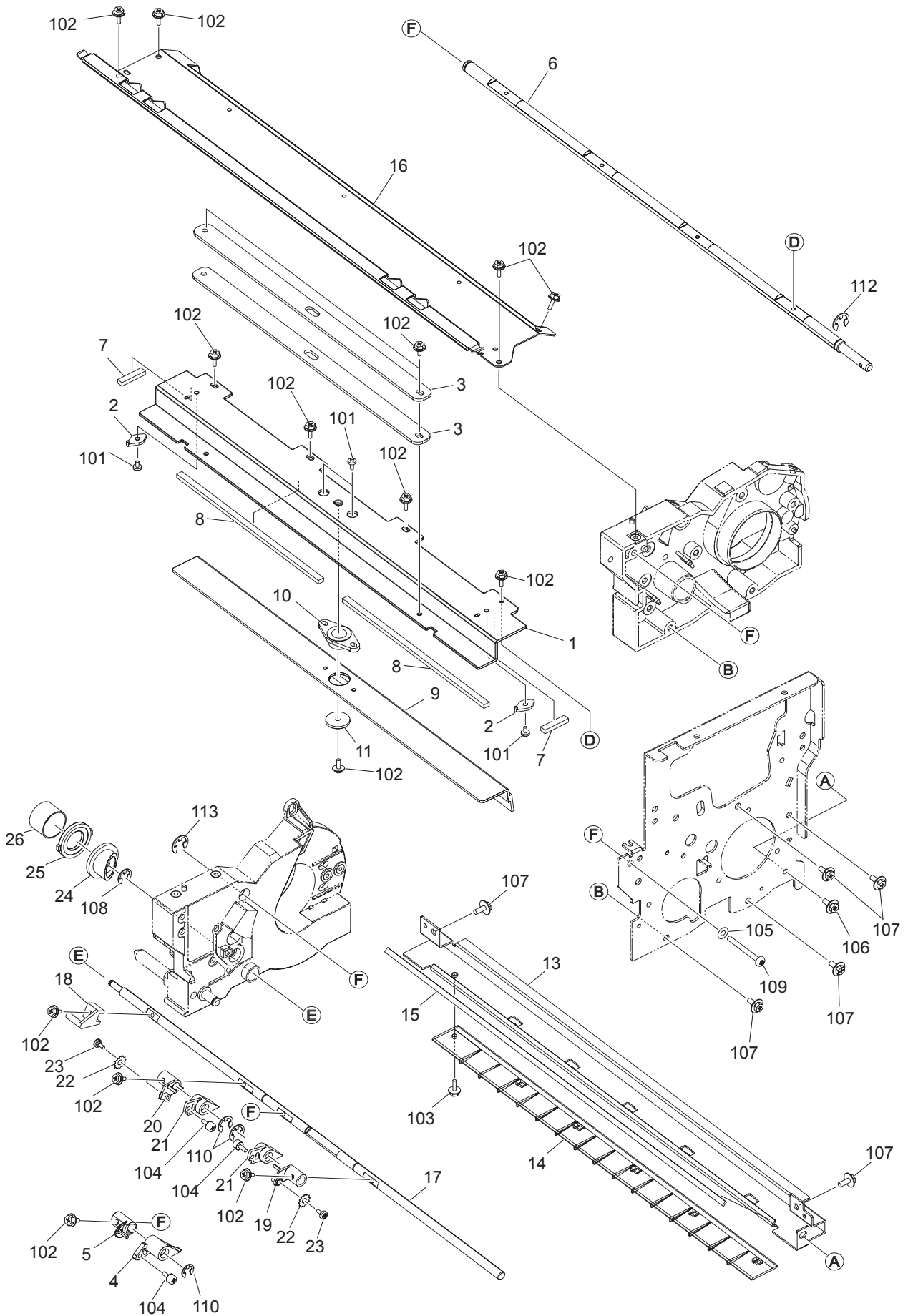




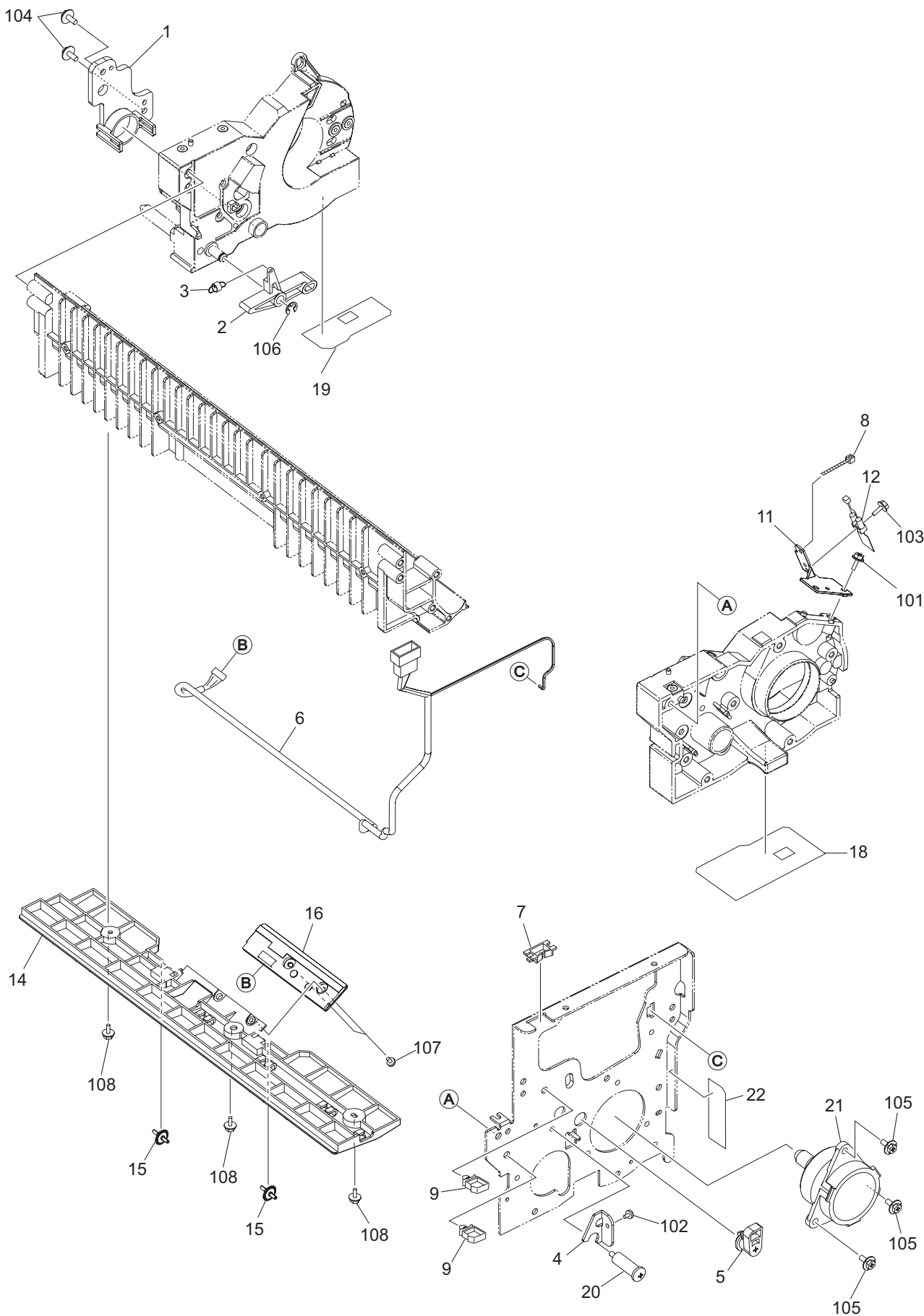
ITEM No.	PART No.	PART NAME	Q'TY / PAGE	Q'TY / PACK	REMARKS
1	6LA03210000	HOP-SUB-TNR-R	1	1/P	
2	6LA03212000	SEAL-SUB-HOP-R	2	5/KP	
3	6LA03213000	AUG-SUB-HOP-R	1	1/P	
4	6LA03214000	GEAR-10S026-06	1	1/P	
5	6LA03220000	BUSH-HOPPER	2	5/P	
6	6LA02367000	BUSH-0613-06F-M	3	5/P	
7	6LA03215000	SFT-SUB-HOP-N	1	1/P	
8	6LA03218000	PDL-SUB-HOP	1	1/P	
9	6LA03216000	GEAR-10S069-06	1	1/P	
10	6LA03243000	ASYS-REC-EXIT	1	5/P	
11	6LA14474000	SHUTTER-HOP-R	1	1/P	
12	6LA03222000	SPE-SHT-R	1	5/P	
13	6LA03211000	COV-SUB-TNR-R	1	1/P	
14	6LE08558000	ASYS-BRKT-DRV-R-390	1	1/P	
15	6LE09546000	MOTRD-AUG-390CW	2	1/D	
16	6LA03237000	BLT/T-190-2GT-4	2	1/P	
17	6LA03236000	GP08S17/2GT072	2	1/P	
18	6LA03235000	GG10S016/08S080	1	1/P	
19	6LE09241000	HRNS-RCY-MOT-390	1	1/P	
21	6LA03260000	BRKT-RECYCLE	1	1/P	
22	6LA03240000	ASYS-PIPE-195	1	1/P	
23	6LA03250000	JOIN-CL-NZL-U	1	1/P	
25	6LA14450000	ASYS-JOIN-L	1	1/P	
26	6LA03257000	SEAL-JOIN	2	5/KP	
27	6LA14448000	AUG-TNR-R	1	1/KP	
28	4406534410	WAS-06*11*Z25-P	1	5/P	
29	6LA03255000	GEAR-08S022-06	1	1/P	
30	6LE09261000	HRNS-RCY-MOT2-390	1	1/P	
101	X0-00966000	RR/E-5-SS	6	10/P	
102	X0-00965000	RR/E-4-SS	2	10/P	
103	X0-02113000	S/PAN-M3X4-NI	2	10/P	
104	X0-02247000	S/TPP/FHEXM-3X8-NI	6	10/P	
105	X0-02270000	S/PAN-M2.6X2.5-NI	4	10/P	
106	X0-02593000	S/TPD3/FHEXM-3X8-ZU3	1	10/P	
107	X0-02235000	S/FHEXM-M4X8-NI	2	10/P	
108	F0-00736000	LWS-0711Z	1	5/P	



ITEM No.	PART No.	PART NAME	Q'TY / PAGE	Q'TY / PACK	REMARKS
2	4401904390	SFT-SCRPR-BRSH	1	1/P	
3	6LA02732000	SPC-BRSH-CLN	1	5/P	
4	6LA02646000	SEAL-SIDE-CLN-F	1	1/P	
5	4401904180	SEAL-SIDE-BLD-F	1	5/P	
6	4406329960	SEAL-SIDE-DRM-F	1	1/P	
7	6LA02704000	SEAL-CL-REC	1	5/KP	
8	6LA02669000	SEAL-SIDE-CLN-R	1	1/P	
9	4401904190	SEAL-SIDE-BLD-R	1	5/P	
10	4406329970	SEAL-SIDE-DRM-R	1	1/P	
11	4401904860	SEAL-ROOF-L	2	10/P	
12	6LA02675000	PLATE-DRM-GAP	1	1/P	
13	4406329300	SCREW-DRM-GAP	4	10/P	
14	6LA02680000	K-COV-GAP-F	1	1/P	
15	6LA02685000	K-PLATE-DRM-GAP	1	1/P	
16	6LA02688000	SPE-050-040-158	1	5/P	
17	6LA02689000	K-COV-GAP-R	1	1/P	
18	6LE04133000	AUG-CLN-390	1	1/KP	
19	6LA02700000	BASE-NOZZLE-CLN	1	1/P	
20	6LA02701000	SEAL-BASE-NOZ	1	5/P	
21	6LE04126000	SPC-NOZZLE-390	1	1/P	
22	6LA02703000	SHUTTER-NOZZLE	1	1/P	
23	6LA02367000	BUSH-0613-06F-M	2	5/P	
24	6LA02711000	K-SFT-BRUSH-340	1	1/P	
25	X0-00980000	P/PRL/AH7-2X10-SS	2	10/P	
26	4401904450	GEAR-15	1	1/P	
27	4406328750	K-SEAL-S-REC-F	1	1/KP	
28	4406328760	K-SEAL-S-REC-R	1	1/KP	
29	4406328620	K-BLADE-REC-300	1	1/KP	
30	6LA02368000	BUSH-0814-08F-M	1	5/P	
31	6LE04128000	ASYS-VRST-CLN	1	1/D	
32	4401762250	GEAR-25	1	1/P	
33	6LA02719000	GEAR-23-30	1	1/P	
34	6LA02713000	PLT-BIAS-BRSH	1	1/P	
35	4407010320	WASHER-8*14*03	1	10/P	
36	4401904430	GEAR-16	1	1/P	
38	6LE19369000	B-6000	1	1/S	
101	X0-00967000	RR/E-6-SS	1	10/P	
102	X0-00965000	RR/E-4-SS	1	10/P	
103	X0-00966000	RR/E-5-SS	3	10/P	
104	X0-02230000	S/FHEXM-M3X6-NI	3	10/P	
105	X0-02052000	S/TP/PAN2/S-4X10-NI	1	10/P	
106	X0-02252000	S/TPP/FHEXM-4X10-NI	6	10/P	
107	X0-02251000	S/TPP/FHEXM-4X8-NI	2	10/P	

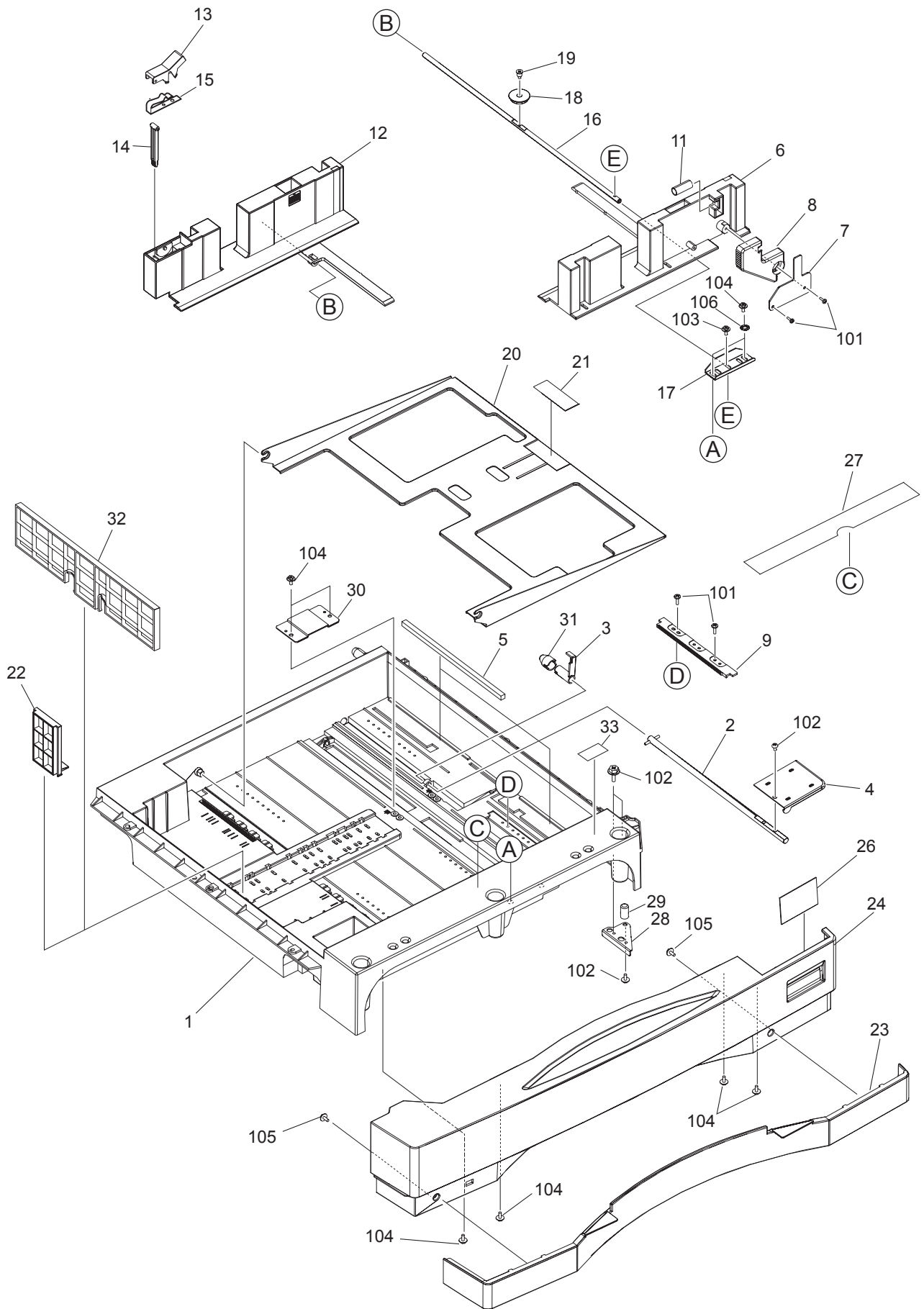


ITEM No.	PART No.	PART NAME	Q'TY / PAGE	Q'TY / PACK	REMARKS
1	4401904710	K-BRKT-BLADE	1	1/P	
2	4401761720	SPACER-BLADE	2	5/P	
3	6LE04121000	WEIGHT-BLADE-390	2	1/P	
4	6LE04130000	ASYS-CLAW-DRUM-C	1	1/D	
5	6LE04131000	GUIDE-PAPER-C-C	1	1/P	
6	6LE04122000	SFT-HLDR-BLADE	1	1/P	
7	4401904080	SEAL-BLD-U1	2	5/P	
8	4407887150	SEAL-BLD-U2-148	2	1/P	
9	6LE19374000	BL-6000D	1	1/S	
10	6LE04102000	BUSH-BLADE-390	1	1/P	
11	6LE04148000	CAP-BUSH-BLADE	1	5/P	
13	6LA02731000	STAY-CLN-F340	1	1/P	
14	6LE04134000	GUDE-STAY-CLN-390	1	1/KP	
15	4406328840	SEAL-STAY-CLN	1	5/KP	
16	4406328590	K-ROOF-CLN-300	1	1/KP	
17	6LE04132000	SFT-CLAW-390	1	1/P	
18	4406328970	LEVER-SFT-CLAW	1	1/P	
19	6LA14627000	GUIDE-PAPER-C-F	1	1/P	
20	6LA14628000	GUIDE-PAPER-C-R	1	1/P	
21	6LA15294000	K-CLAW-DRUM	2	1/D	
22	4401905970	WHEEL-STAR-CLN	2	5/P	
23	6LE04149000	SCREW-STAR-WH	2	5/P	
24	4401762520	CLT-CAM-CLAW	1	1/P	
25	4401762510	COLLAR-CLT-CLAW	1	1/P	
26	6LA02740000	SPC-CLAW-SLIDE	1	5/P	
101	X0-00053000	S/PAN-M3X6-ZC	4	10/P	
102	X0-02230000	S/FHEXM-M3X6-NI	15	10/P	
103	X0-02592000	S/TPD3/FHEXM-3X6-ZU3	1	10/P	
104	6LE04136000	SCREW-CLAW	3	10/P	
105	X0-01889000	W/TH/A-4-SS	1	10/P	
106	X0-02589000	S/TPD3/FHEXM-4X8-ZU3	2	10/P	
107	X0-02251000	S/TPP/FHEXM-4X8-NI	6	10/P	
108	X0-00964000	RR/E-3-SS	1	10/P	
109	X0-02114000	S/TPS/PAN-4X32-ZU3	1	10/P	
110	X0-00965000	RR/E-4-SS	3	10/P	
112	X0-00968000	RR/E-7-SS	2	10/P	



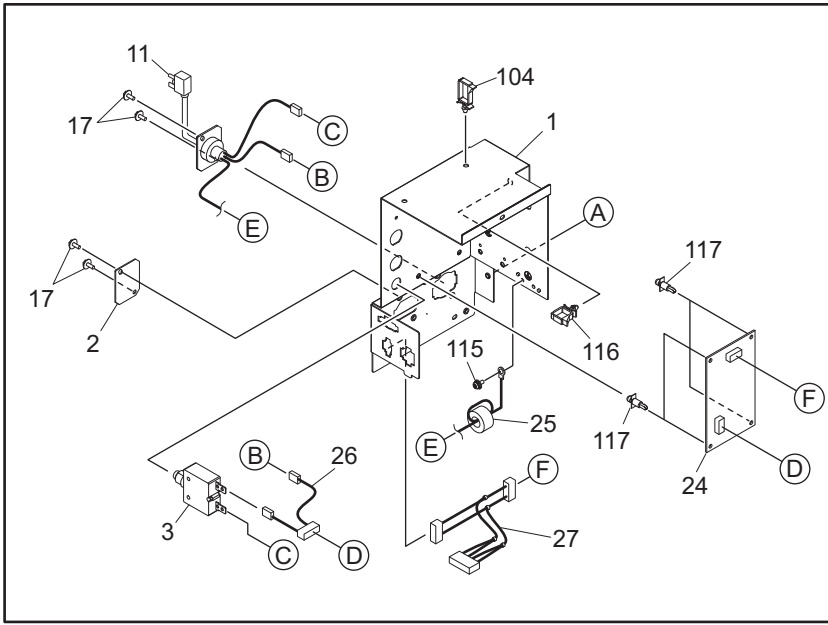
ITEM No.	PART No.	PART NAME	Q'TY / PAGE	Q'TY / PACK	REMARKS
1	6LA02742000	HLDR-R-CLN	1	1/P	
2	6LA02716000	LEVER-CLAW-F340	1	1/P	
3	6LE04139000	SPE-CLAW-ON-OFF-390	1	5/P	
4	4406328890	LEVER-BLADE-300	1	1/P	
5	4401904770	CAM-BLADE	1	1/P	
6	6LE09405000	HRNS-CLN-UNIT-390	1	1/P	
7	F0-01248000	ESC-0912	1	10/P	
8	F0-00521000	SKB-1	1	5/P	
9	F0-00035000	LWS-05	2	5/P	
11	4406329110	BRKT-THMS-DRM	1	1/P	
12	6LE09110000	THMS-DRM-390	1	1/C	
14	6LE04144000	ASYS-GUIGE-T-SENS	1	1/PP	
15	44203459000	WHEEL-CLN-320	2	1/P	
16	6LE09115000	SNSR-MTD-390	1	1/C	
18	6LA02747000	SEAL-FRM-CLN-F	1	1/KP	
19	6LA02748000	SEAL-FRM-CLN-R	1	1/KP	
20	4400805530	SCREW-ARM-CLN	1	5/P	
21	6LA02728000	HSG-DRUM-F	1	1/P	
22	6LA02647000	SHEET-GUIDE-CLN	1	1/KP	
101	X0-02230000	S/FHEXM-M3X6-NI	1	10/P	
102	X0-00057000	S/PAN-M3X6-NI	3	10/P	
103	X0-02231000	S/FHEXM-M3X8-NI	1	10/P	
104	X0-02252000	S/TPP/FHEXM-4X10-NI	2	10/P	
105	X0-02235000	S/FHEXM-M4X8-NI	5	10/P	
106	X0-00966000	RR/E-5-SS	1	10/P	
107	X0-02113000	S/PAN-M3X4-NI	2	10/P	
108	X0-02247000	S/TPP/FHEXM-3X8-NI	2	10/P	



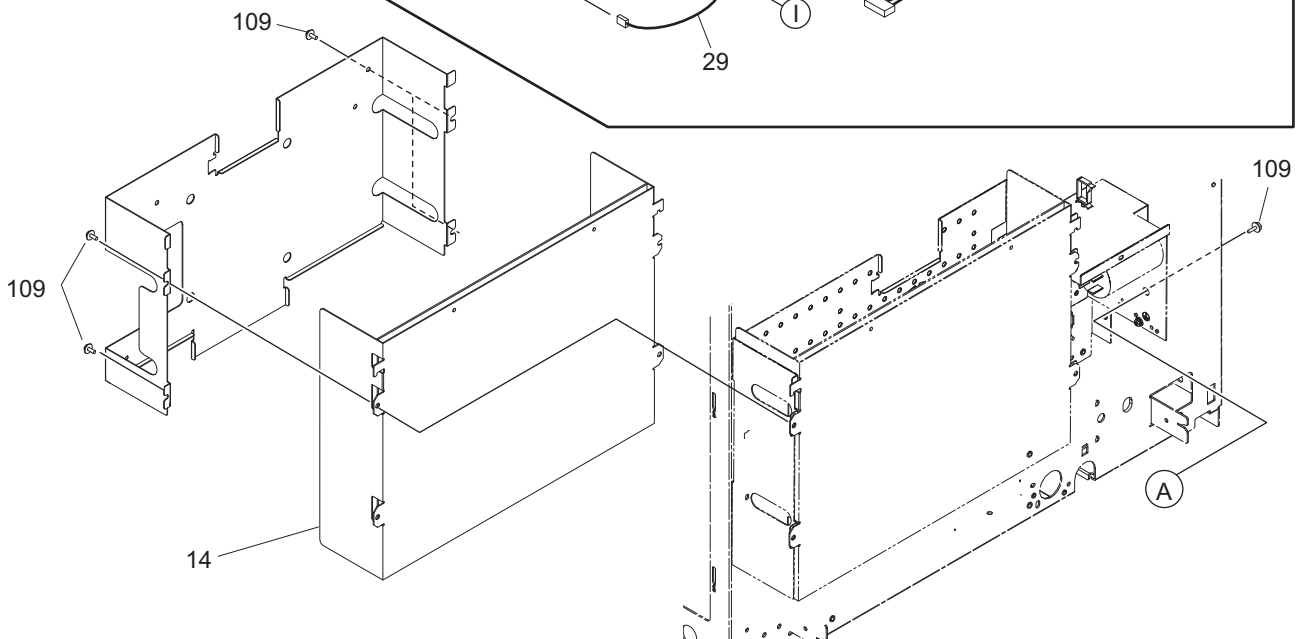
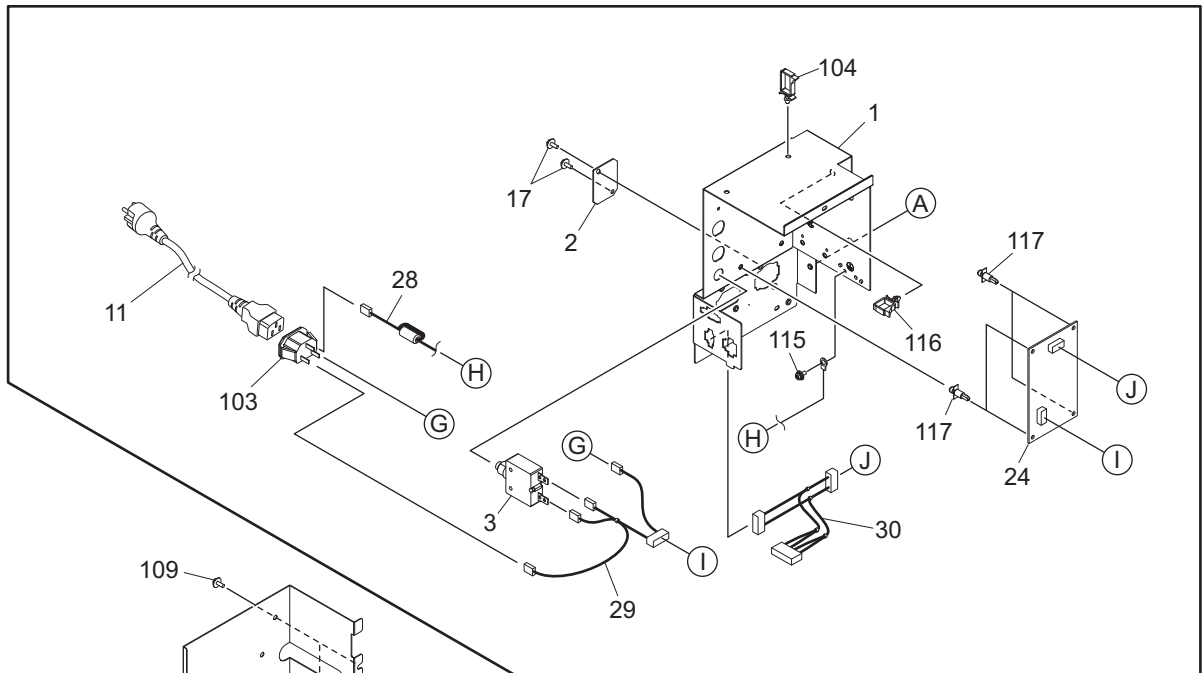


ITEM No.	PART No.	PART NAME	Q'TY / PAGE	Q'TY / PACK	REMARKS
1	6LA15843100	CASSETTE-390B	1	1/PP	
2	6LE03700000	ASYS-SHAFT-TRAY-UP	1	1/P	
3	6LA04446000	LEVER-SENS	1	1/P	
4	6LA14516000	LVR-ELV-CST	1	1/P	
5	4400908680	CUSHION-CST	2	1/KP	
6	6LA15842100	SIDE-WALL-F-390B	1	1/PP	
7	6LA15847000	PLT-LVR-CST-340	1	1/P	
8	6LE03710000	LVR-LOCK-CST	1	1/P	
9	6LA15844000	PLT-LOCK-CST-340	1	1/P	
11	6LA56695000	SPC-LVR-WALL-F	1	1/P	
12	6LA15841100	SIDE-WALL-R-390B	1	1/PP	
13	6LA29058000	LEVER-LOCK-WALL-RER	1	1/P	
14	6LA04433000	WALL-LOCK-R-340	1	1/P	
15	41305546000	SPL-LOCK-WALL-R	1	1/P	
16	6LE03702000	SHAFT-GUIDE	1	1/P	
17	6LA04463000	BRKT-SHAFT	1	1/P	
18	41306029000	GER-PINION-20-AT	1	1/P	
19	6LA04456000	SCREW-PINION	1	5/P	
20	6LE03714000	TRAY-390	1	1/PP	
21	6LA04500000	PAD-CST-340	1	5/P	
22	6LA29061000	WALL-CSSTT-END	1	1/P	
23	6LE04404000	COVER-CSSTT-LWR	1	1/PP	
24	6LE04403000	COVER-CSSTT-UPR	1	1/PP	
26 A	6LE03708000	SIZE-CST-390-UC	1	1/KP	NAD
26 B	6LE03709000	SIZE-CST-390-E	1	1/KP	MJD,ASD,ASU,AUD,ARD,SAD
27 A	6LE03707000	LBL-O-CST-390	1	1/KP	AUD,NAD
27 B	6LE03711000	LBL-O-CST-390	1	1/KP	MJD,ASD,ASU,ARD,SAD
28	6LE03713000	BRKT-CST-POS-390	1	1/P	
29	6LA04487000	STUD-CST-POS	1	5/P	
30	6LA14327000	BRKT-FIX-PINION	1	1/P	
31	6LA14466000	CAP-LEVER-SENS	1	1/P	
32	6LE03705000	WALL-END-TAB390	1	1/PP	
33 B	6LE03712000	LBL-CST-LCD-SUB	1	5/P	MJD
101	X0-01989000	S/TPP/BID-3X8-NI	4	10/P	
102	X0-02235000	S/FHEXM-M4X8-NI	4	10/P	
103	X0-02230000	S/FHEXM-M3X6-NI	1	10/P	
104	X0-02251000	S/TPP/FHEXM-4X8-NI	8	10/P	
105	X0-02247000	S/TPP/FHEXM-3X8-NI	2	10/P	
106	6LA15906000	WSHR-M4-CST-F340	2	10/P	

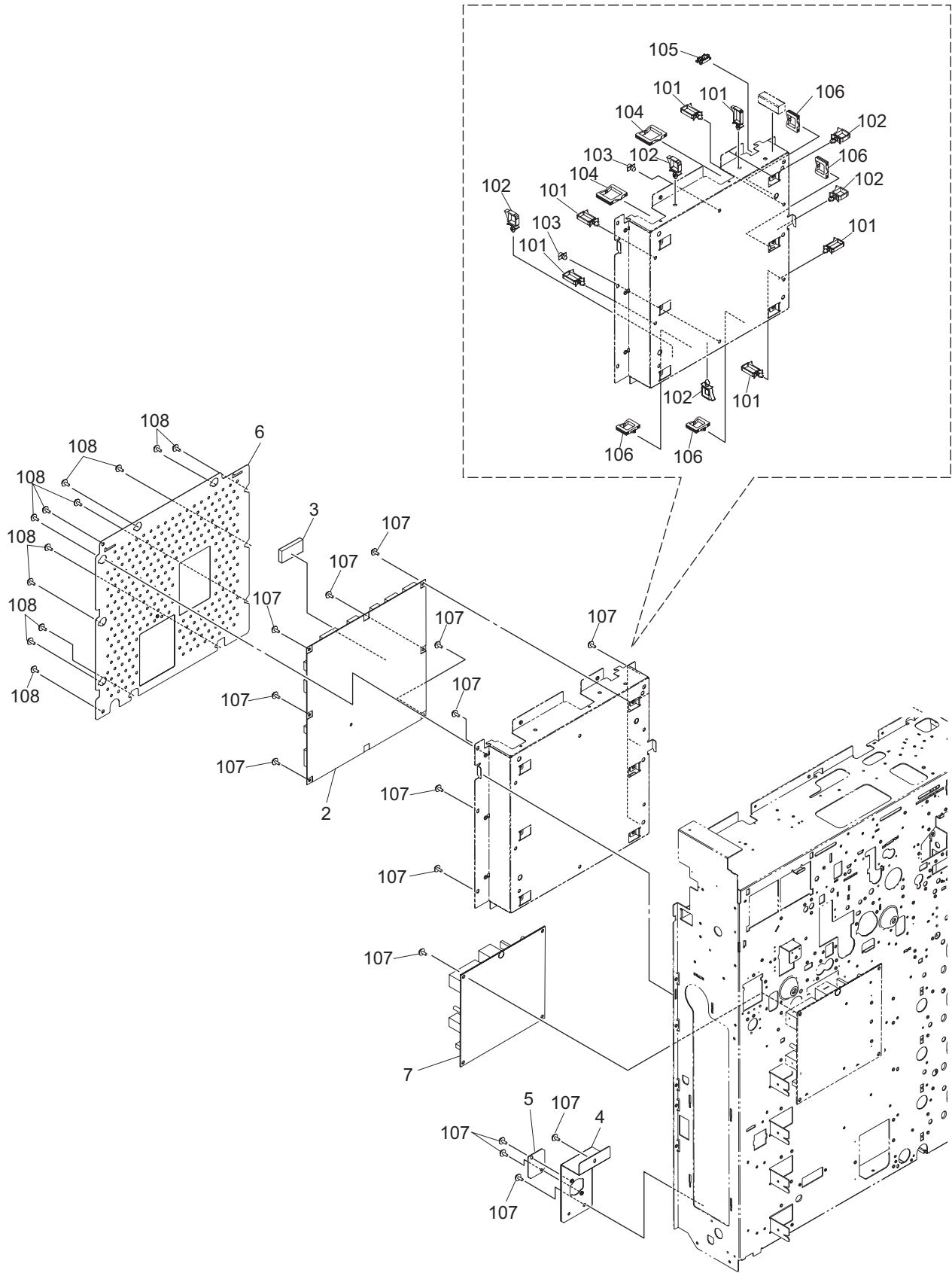
AC-115V



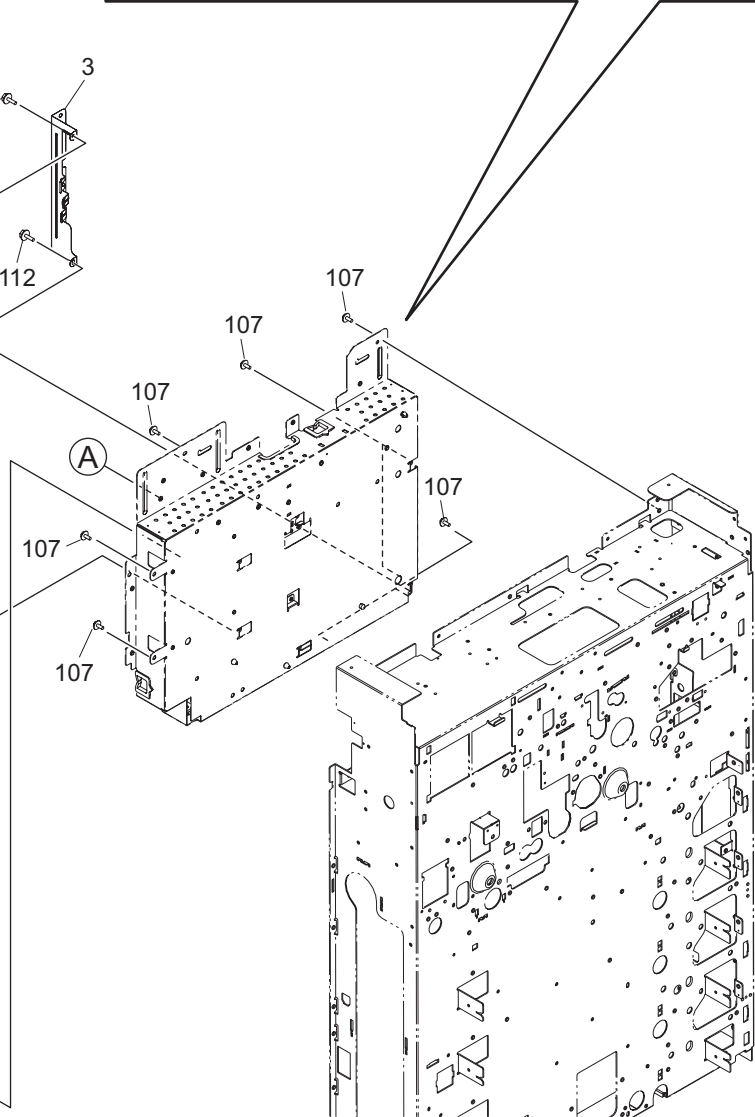
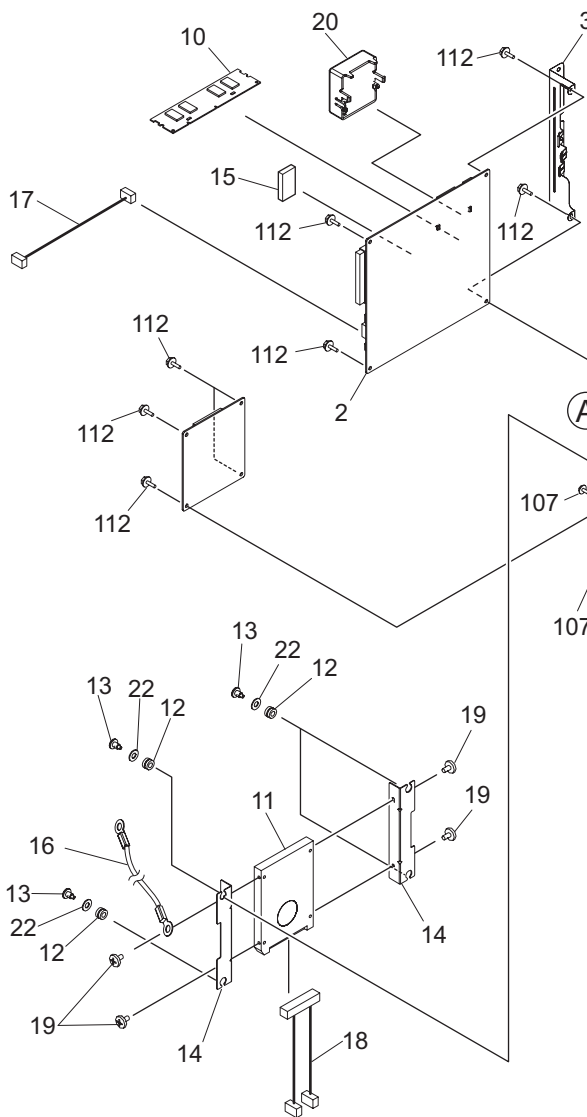
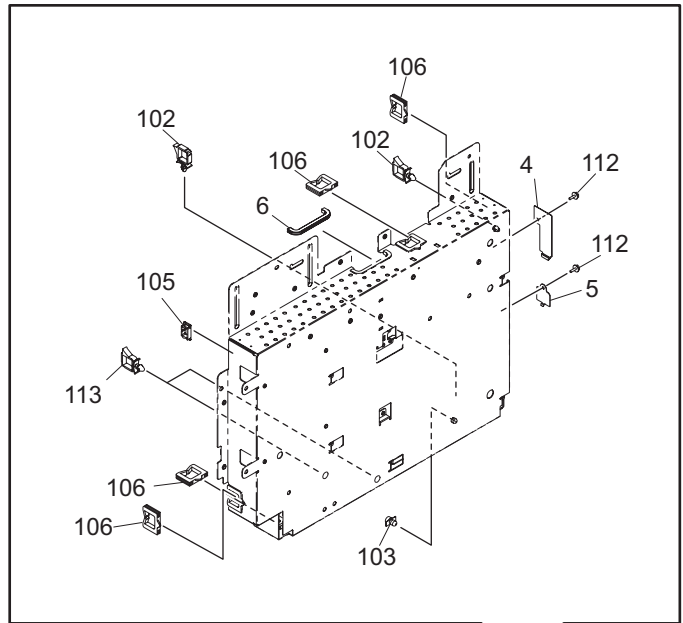
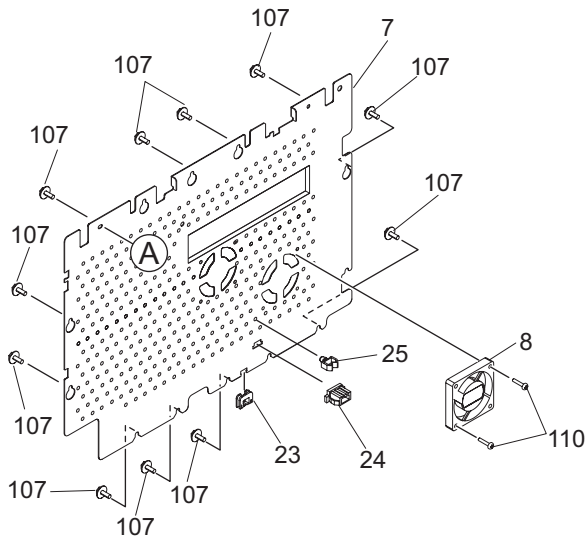
AC-240V



ITEM No.	PART No.	PART NAME	Q'TY / PAGE	Q'TY / PACK	REMARKS
1	6LE05404000	BRKT-AC-UNIT-390	1	1/P	
2	6LA01143000	BLIND-AC-CABLE	1	1/P	
3 A	E0-08478000	PE7420-1381-091T	1	1/D	NAD,SAD
3 B	E0-11992000	PE7410-1381-091H	1	1/C	MJD,ASD,ASU,AUD,ARD
11 A	6LH69828000	ASYS-P-CABLE-UC-H100	1	1/P	NAD,SAD
11 B	6LE95822000	CABLE-P-INLET-EUR	1	1/P	MJD
11 C	6LE95823000	CABLE-P-INLET-AU	1	1/P	AUD
11 D	6LE95824000	CABLE-P-INLET-AR	1	1/P	ARD
11 E	6LE95825000	CABLE-P-INLET-UK	1	1/P	ASD,ASU
14 A	6LH69941000	PS-ACC-H100U	1	1/C	NAD,SAD
14 B	6LH69941100	PS-ACC-H100E	1	1/C	MJD,ASD,ASU,AUD,ARD
17	X0-02589000	S/TPD3/FHEXM-4X8-ZU3	11	10/P	
24	6LE09247000	PWA-F-FIL-390	1	1/C	
26 A	6LH69986000	HRNS-AC-FIL-H100U	1	1/P	NAD,SAD
27 A	6LH69987000	HRNS-FIL-ACMAIN-H100	1	1/P	NAD,SAD
28 B	6LH69825000	HRNS-INLET-G-H100E	1	1/P	MJD,ASD,ASU,AUD,ARD
29 B	6LH69985000	HRNS-AC-FIL-H100	1	1/P	MJD,ASD,ASU,AUD,ARD
30 B	6LH69987000	HRNS-FIL-ACMAIN-H100	1	1/P	MJD,ASD,ASU,AUD,ARD
103 B	E0-06067000	NC-179-F6.35	1	1/P	MJD,ASD,ASU,AUD,ARD
104	F0-01299000	LWS-2111Z	1	1/P	
109	X0-02589000	S/TPD3/FHEXM-4X8-ZU3	18	10/P	
115	X0-00169000	S/PAN/SWWP-M4X8-BSNI	1	10/P	
116	F0-01243000	LWS-1211Z	1	5/P	
117	F0-00342000	SPLSN-6U	4	5/P	

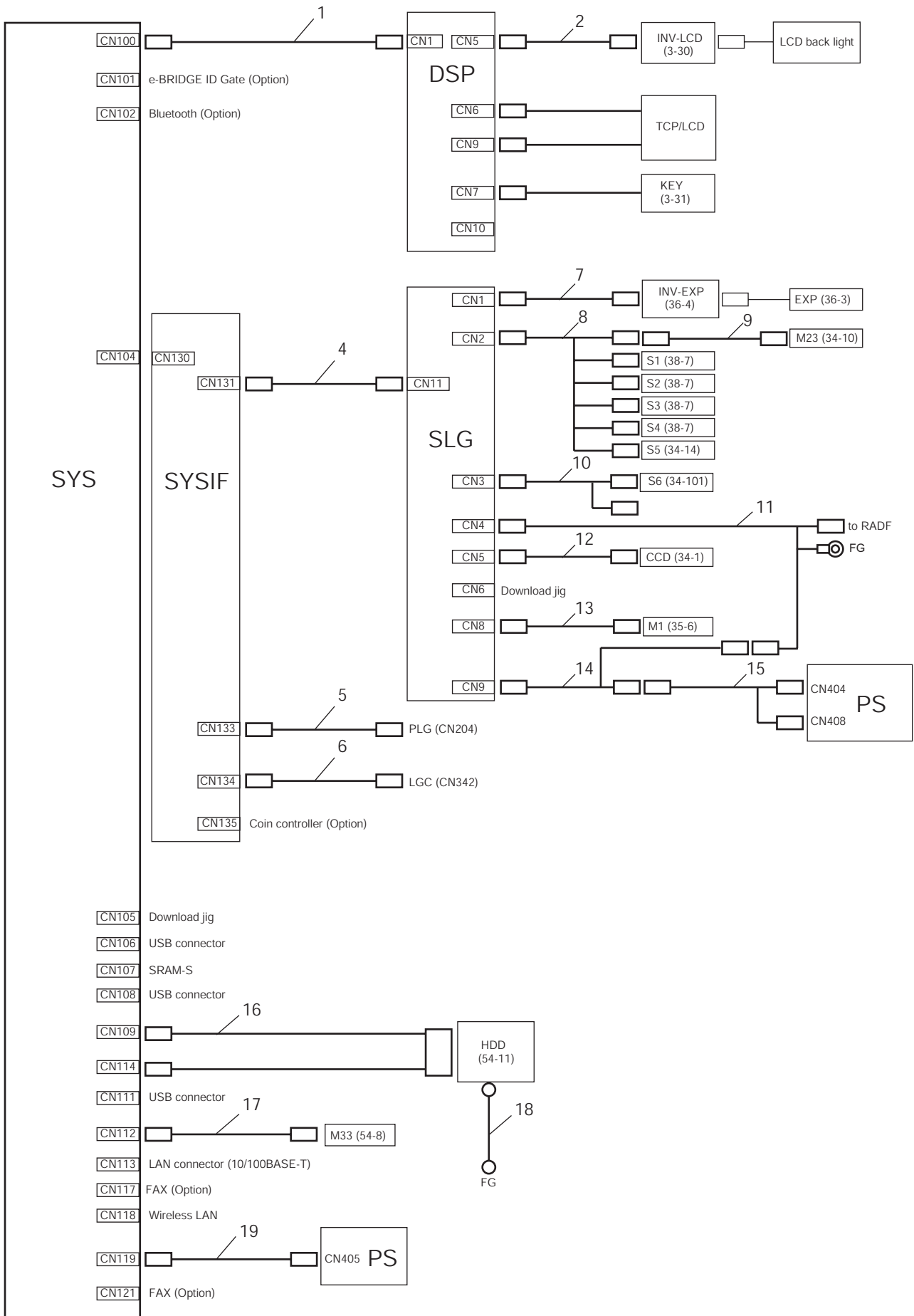


ITEM No.	PART No.	PART NAME	Q'TY / PAGE	Q'TY / PACK	REMARKS
2 A	6LH70029000	ASYB-PWA-LGC-H100S	1	1/SB	e-STUDIO555
2 B	6LH70029100	ASYB-PWA-LGC-H101S	1	1/SB	e-STUDIO655
2 C	6LH70029200	ASYB-PWA-LGC-H102S	1	1/SB	e-STUDIO755
2 D	6LH70029300	ASYB-PWA-LGC-H103S	1	1/SB	e-STUDIO855
4	6LE06410000	BRKT-FIN-CABLE-390	1	1/P	
5	6LA01294000	BLIND-FIN-CABLE	1	1/P	
6	6LE05401000	COVER-LGC-390	1	1/P	
7	6LE09307000	PS-HVT-390-M	1	1/C	
101	F0-01299000	LWS-2111Z	5	1/P	
102	F0-01243000	LWS-1211Z	5	5/P	
103	F0-00027000	SPS-3U	2	5/P	
104	F0-00034000	EDS-2323U	2	5/P	
105	F0-01248000	ESC-0912	1	10/P	
106	F0-00047000	EDS-1717U	4	10/P	
107	X0-02589000	S/TPD3/FHEXM-4X8-ZU3	20	10/P	
108	6LE04445000	SCREW40X08-T-ZU3	12	5/P	

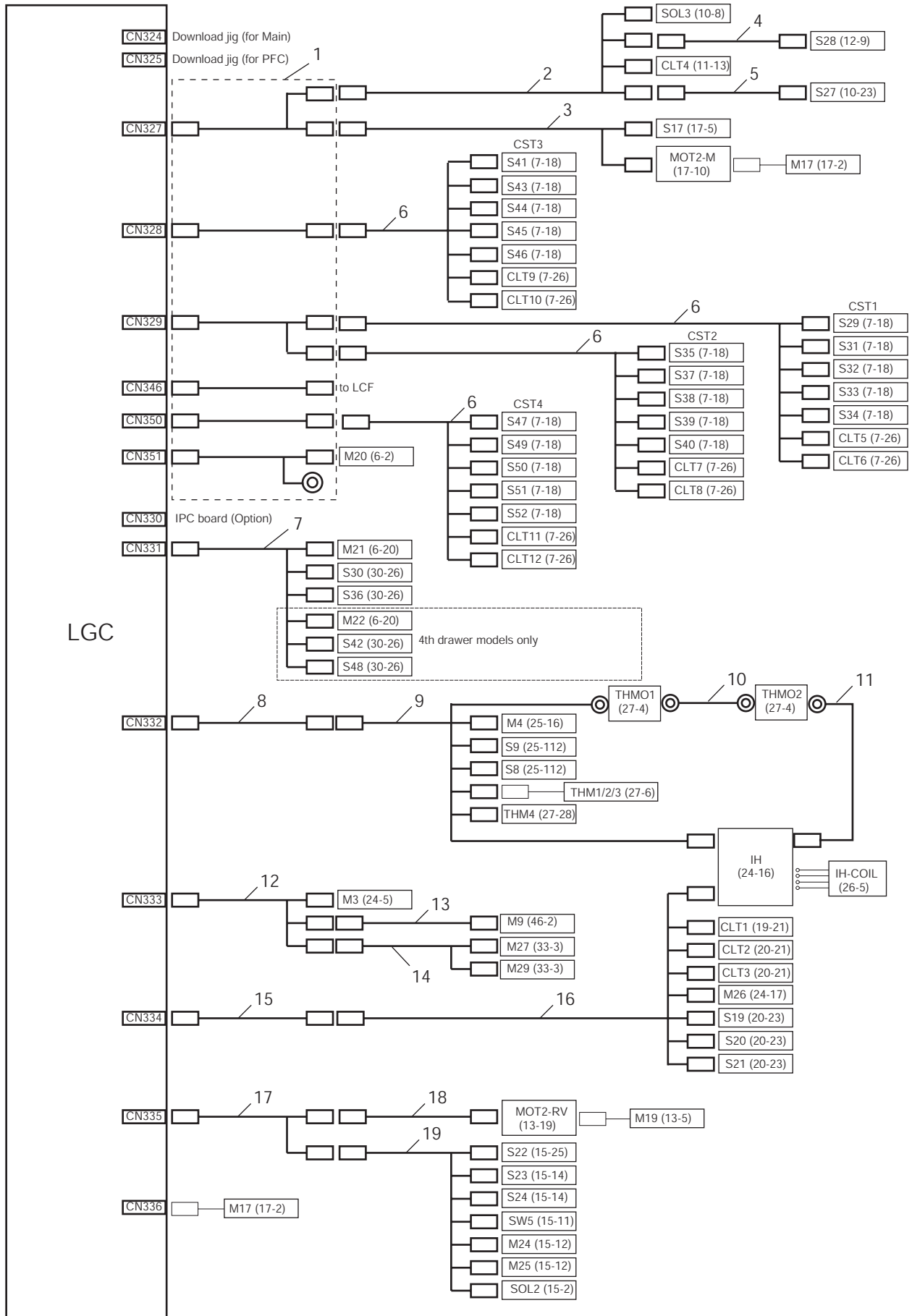


ITEM No.	PART No.	PART NAME	Q'TY / PAGE	Q'TY / PACK	REMARKS
2	6LH69810000	PWA-F-SYSIF-100	1	1/SB	
3	6LH68201000	SPG-F-SYS-H100	1	1/P	
4	6LH68202000	COV-CNCT-DWN-H100	1	1/P	
5	6LA64243000	COVER-USB-SYS	1	1/P	
6	6LE05412000	BUSH-KG-016L-SYS	1	1/P	
7	6LH69801000	COVER-SYS-H100	1	1/P	
8	6LE29481000	FAN_D-6010-380	1	1/D	
9	F0-01351000	ECB-207-01	1	5/C	
10	C0-16048000	M470T2864EH3-CF7	1	1/S	
11	G0-00579000	HTS543280L9A300	1	1/S	
12	F0-01327000	HED-1111-ALS20ABK	4	1/P	
13	6LH53114000	SCREW-HDD-CASE_M3	8	5/P	
14	6LH53112000	BRKT-HDD-25	1	1/P	
16	6LE09280000	HRNS-HDDFG-390	1	1/P	
17	6LH69920000	HRNS-HDD-H100	1	1/D	
18	6LE29585000	HRNS-SYS-FAN-380	1	1/P	
19	X0-00426000	S/BID-M3X4-NI	1	10/P	
20	6LH09585000	ASYB-SRAM-430S	1	1/C	
21	6LH70020000	ASYB-PWA-SYS-100S	1	1/SB	
22	X0-00941000	W/PL/PJO-5-NI	4	10/P	
24	E0-07051000	BU03P-TR-PC-H (LF)	1	5/P	
25	F0-00042000	UAMS-05S-2	1	5/P	
102	F0-01243000	LWS-1211Z	4	5/P	
103	F0-00027000	SPS-3U	2	5/P	
105	F0-01248000	ESC-0912	1	10/P	
106	F0-00047000	EDS-1717U	4	10/P	
107	6LE04445000	SCREW40X08-T-ZU3	10	5/P	
108	F0-01299000	LWS-2111Z	2	1/P	
109	X0-02589000	S/TPD3/FHEXM-4X8-ZU3	8	10/P	
110	X0-02066000	S/TPS/PAN-4X16-ZU3	2	10/P	
112	X0-02593000	S/TPD3/FHEXM-3X8-ZU3	10	10/P	

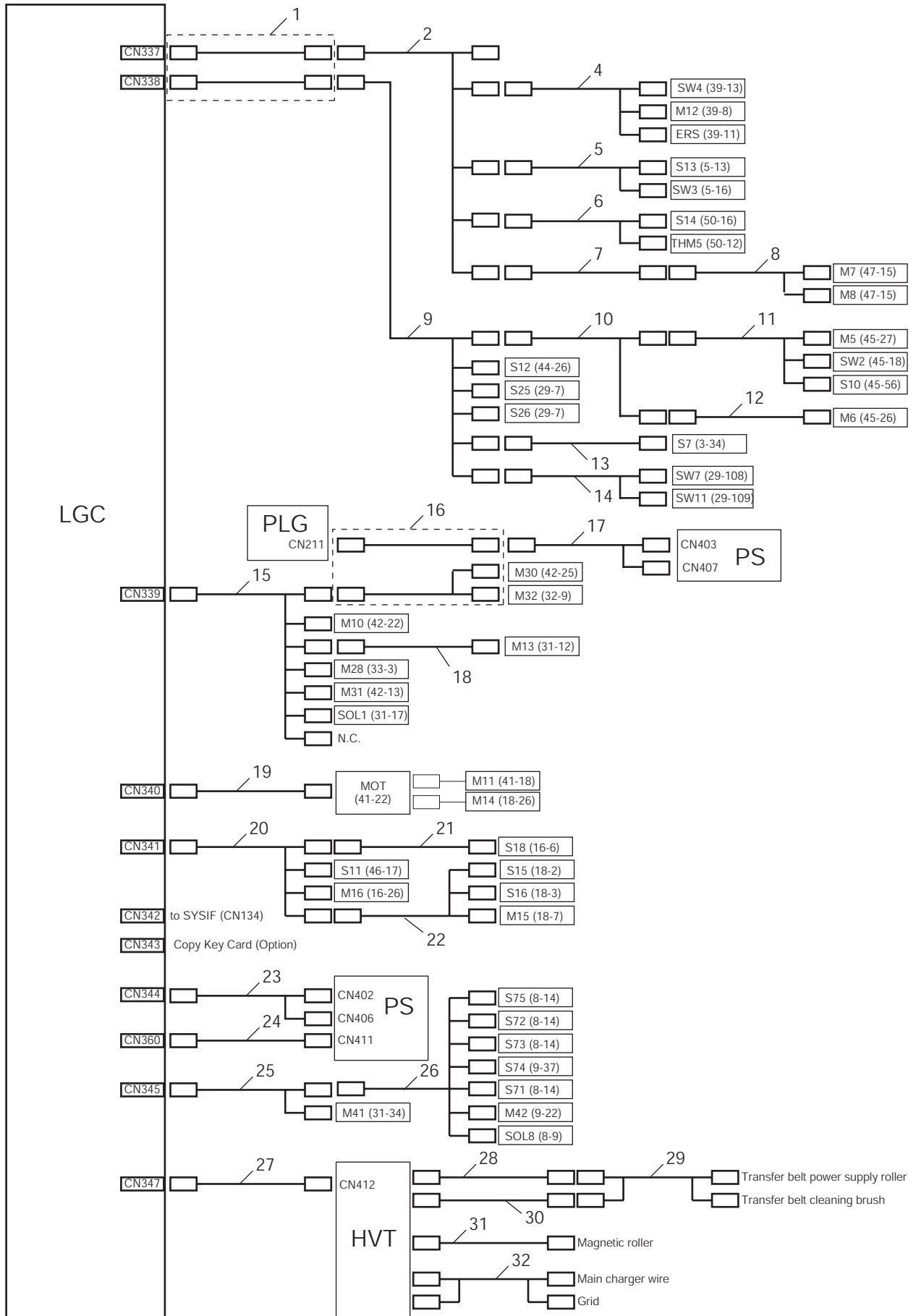




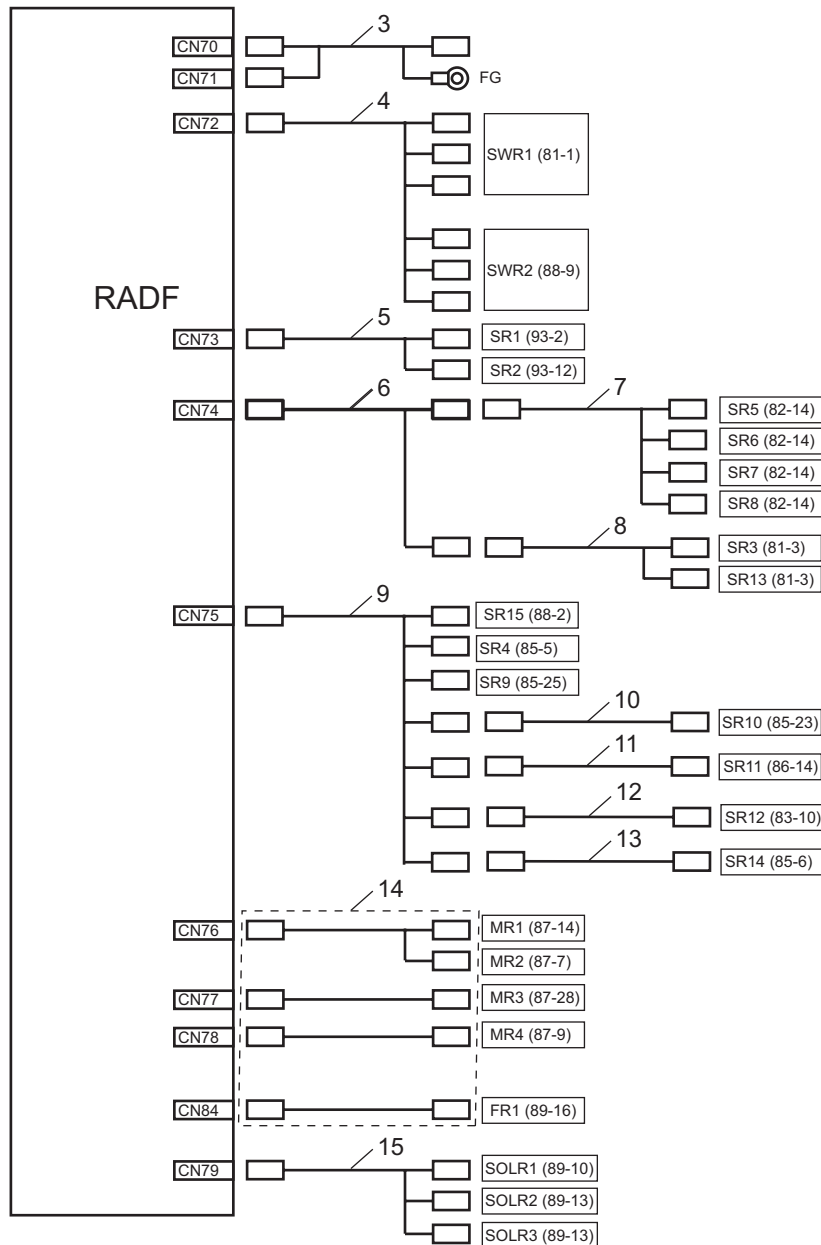
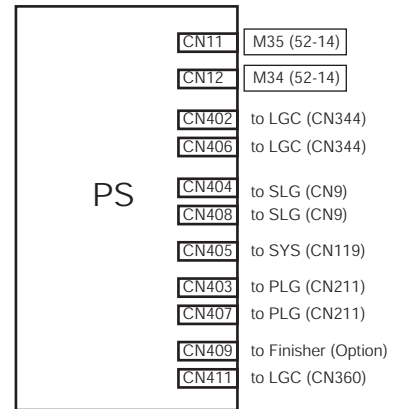
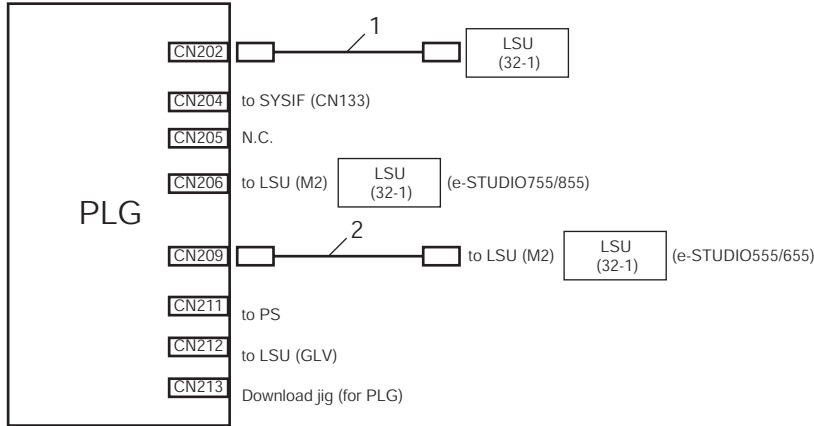






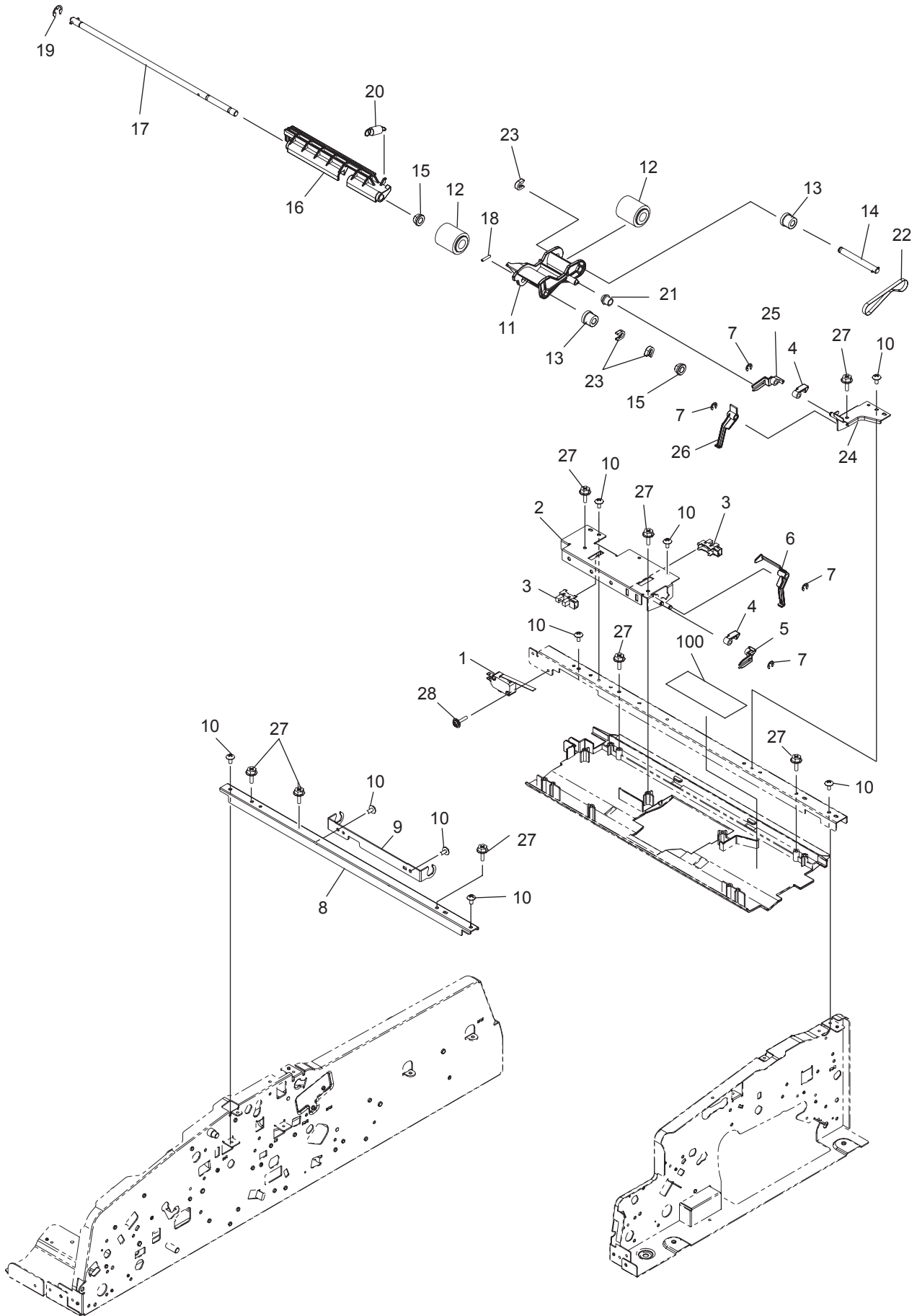




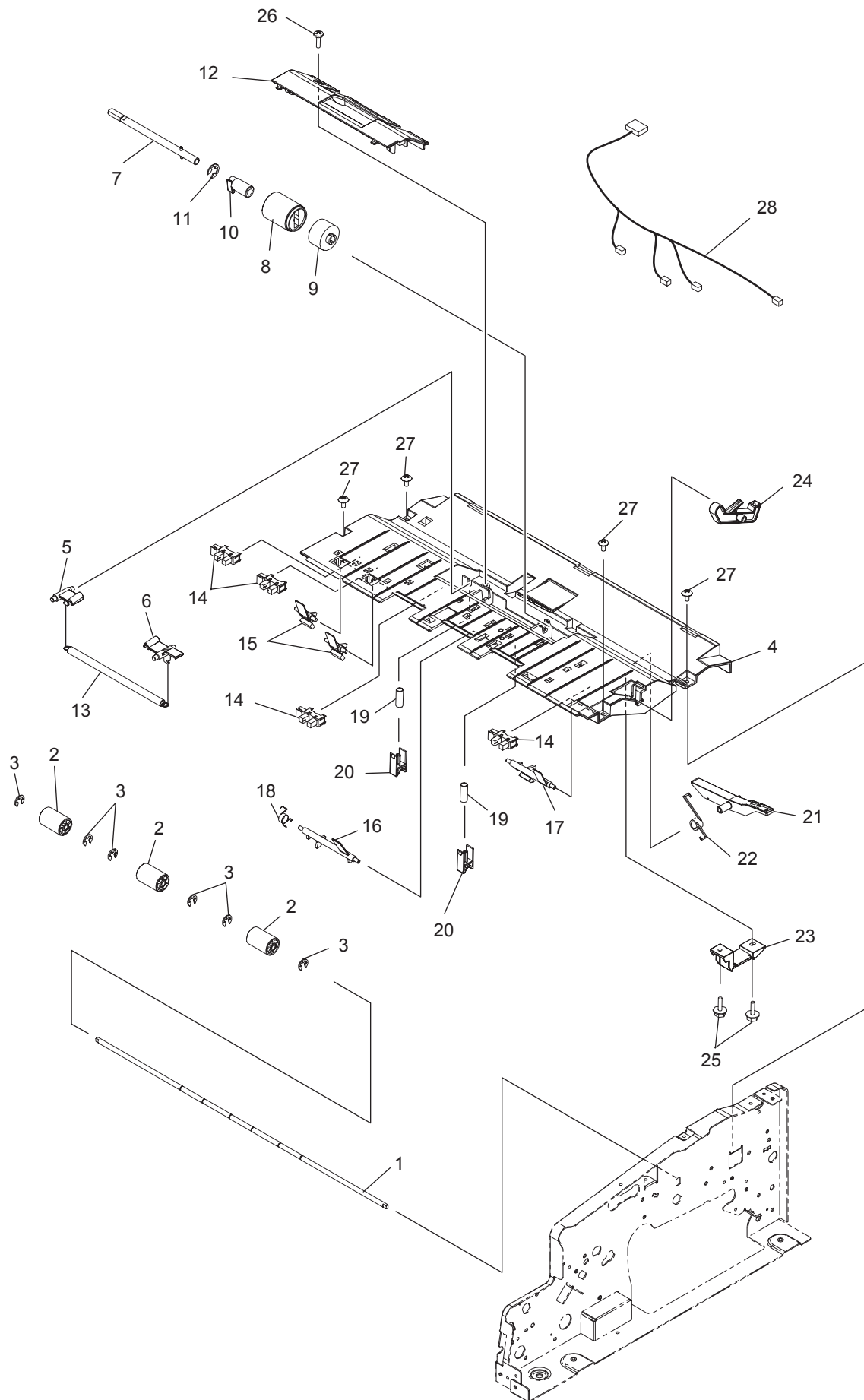




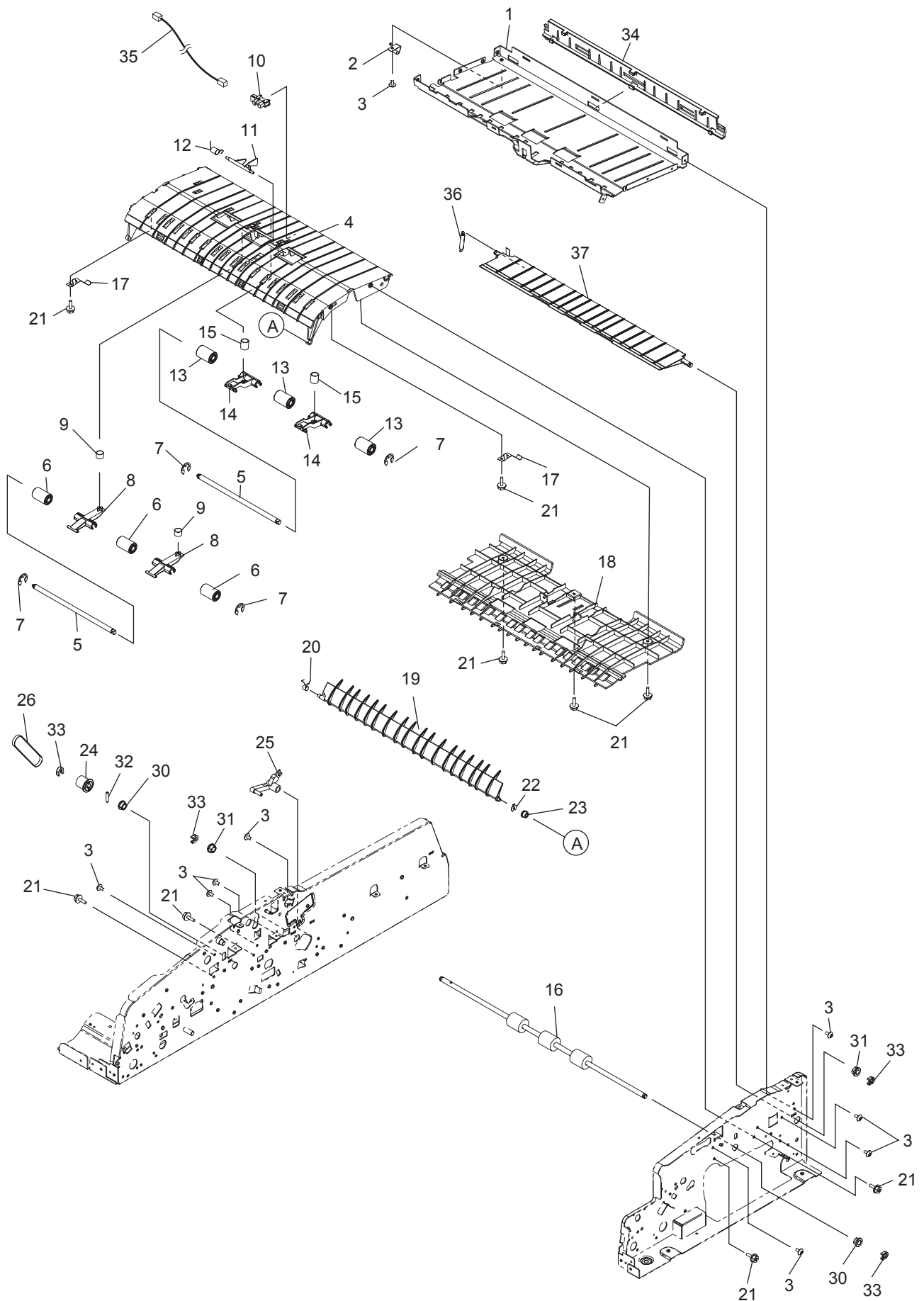




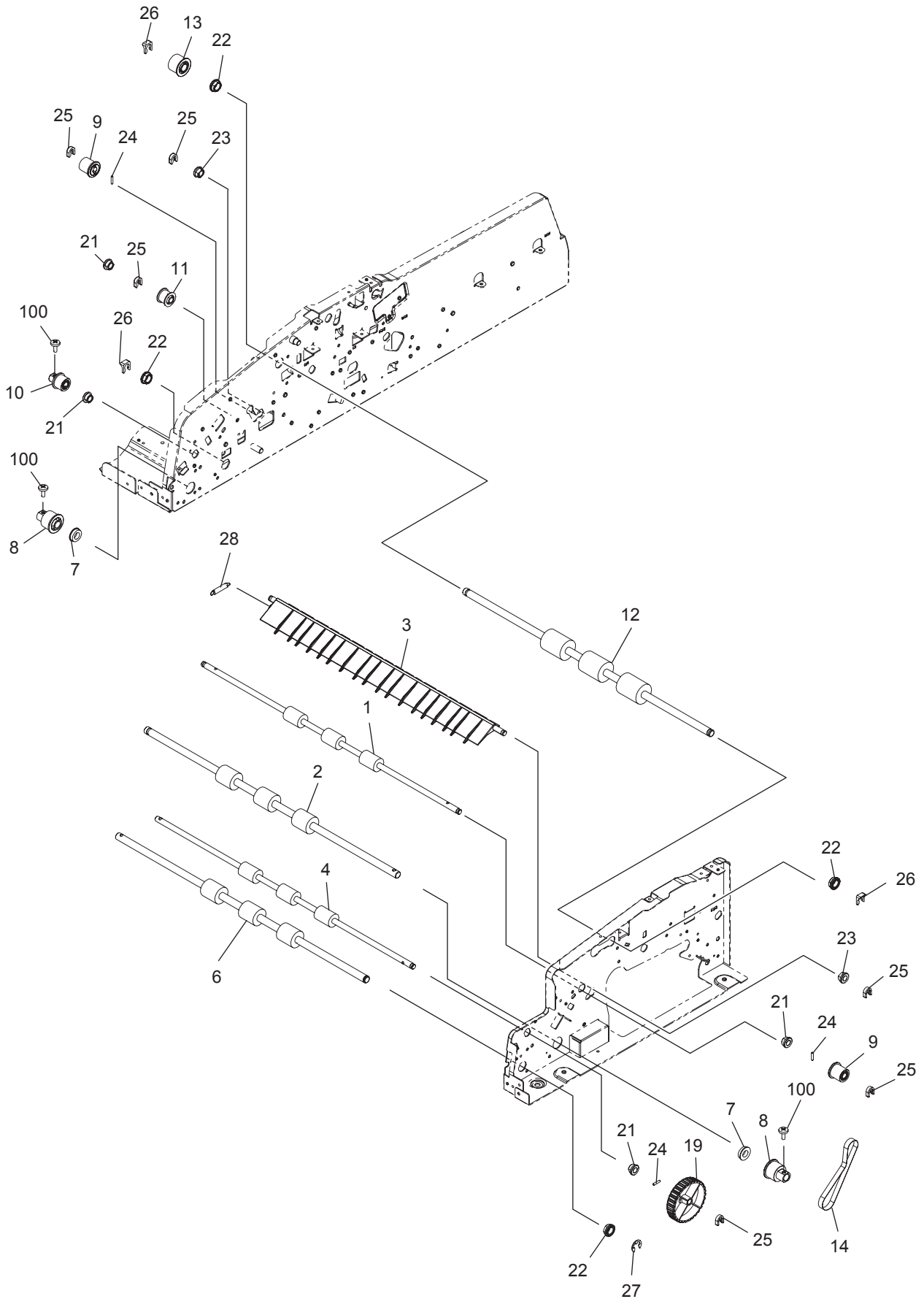
ITEM No.	PART No.	PART NAME	Q'TY / PAGE	Q'TY / PACK	REMARKS
1	E0-12468000	AM51613C731Y1N	1	1/C	
2	6LH06609000	ASYS-BRKT-STOP-R-TQ	1	1/P	
3	C0-15172000	GP1A173LCS2F	2	1/C	
4	6LE50366000	ARM-STOPPER	2	1/P	
5	6LH06548000	LVR-STOPPER-R-TQ	1	1/P	
6	6LH06533000	STPR-PICK-R-TQ	1	1/P	
7	X0-00964000	RR/E-3-SS	4	10/P	
8	6LH06588000	STAY-FED-U-L-TQ	1	1/P	
9	6LE50278000	BRKT-FEED-UP	1	1/P	
10	6LA08935000	SCR-M3X6BISR-NI	9	10/P	
11	6LE50310000	ASYS-HLDR-PICK	1	1/P	
12	6LE50297000	ASYS-ROL-FEED	2	1/P	
13	6LE50339000	PULLY-1R5GT26-6	2	1/P	
14	6LH06657000	ASYS-SFT-PICUP-TQ	1	1/P	
15	6LE49739000	BUSH-6X10X6F-SBK	2	5/P	
16	6LH06544000	LVR-PICK-JOINT-TQ	1	1/P	
17	6LH06659000	ASYS-SFT-FEED-TQ	1	1/P	
18	6LB12138000	PIN-2X10	1	10/P	
19	X0-00966000	RR/E-5-SS	1	10/P	
20	6LH06867000	SPG-E-PICKUP	1	1/P	
21	6LE50336000	ROL-TNSN-PICK	1	1/P	
22	6LE50345000	BELT-141-1R5GT-4	1	1/P	
23	6LE49743000	STOP-RING-6-5-POM	3	5/P	
24	6LH06607000	ASYS-BRKT-STOP-F-TQ	1	1/P	
25	6LH06547000	LVR-STOPPER-F-TQ	1	1/P	
26	6LH06532000	STPR-PICK-F-TQ	1	1/P	
27	X0-01989000	S/TPP/BID-3X8-NI	8	10/P	
28	X0-01615000	S/TPS/FPAN-3X14-NC	1	10/P	
100	6LH06777000	LABEL-INST-TQ	1	1/P	



ITEM No.	PART No.	PART NAME	Q'TY / PAGE	Q'TY / PACK	REMARKS
1	6LH06716000	SFT-IDL-SWB-D4	1	1/P	
2	6LH06527000	ROL-IDL-D16-D4-POM	3	1/P	
3	X0-00964000	RR/E-3-SS	6	10/P	
4	6LH06718000	ASYS-GUIDE-FEED-U-L-TQ	1	1/PP	
5	6LH06564000	LVR-SPT-R-TQ	1	1/P	
6	6LH06562000	LVR-SPT-F-TQ	1	1/P	
7	6LH06654000	ASYS-SFT-SEP-TQ	1	1/P	
8	6LE50296000	ASYS-ROL-RET	1	1/P	
9	6LH04750000	TL-SEP-ROL-Y-N	1	1/P	
10	6LH06661000	HLDR-ROLL-SPT-TQ	1	1/P	
11	X0-00965000	RR/E-4-SS	1	10/P	
12	6LH06721000	ASYS-COV-SPT-TQ	1	1/PP	
13	6LH06723000	SPG-ROL-SPT-TQ	1	1/P	
14	C0-15172000	GP1A173LCS2F	4	1/C	
15	6LE50231000	LEVER-SENS-WIDTH	2	1/P	
16	6LH06558000	LEVER-SENS-LENG-TQ	1	1/P	
17	6LH06662000	LEVER-SENS-WIDE-A3LT	1	1/P	
18	6LE50234000	SPG-T-LVR-ALNG	1	1/P	
19	6LH06725000	SPR-LEV-SWB	2	1/P	
20	6LH06536000	LEV-SW-B	2	1/P	
21	6LH06559000	LEVER-SPT-CAM-TQ	1	1/P	
22	6LH06726000	SPR-LEV-SPT-CAM	1	1/P	
23	6LH06666000	HLDR-LVR-SPT-CAM	1	1/P	
24	6LH06560000	LEVER-SPT-CAM-2-TQ	1	1/P	
25	X0-02247000	S/TPP/FHEXM-3X8-NI	2	10/P	
26	X0-01989000	S/TPP/BID-3X8-NI	1	10/P	
27	6LA08935000	SCR-M3X6BISR-NI	4	10/P	
28	6LH06311000	HRNS-RADF-LENTH-430	1	1/P	

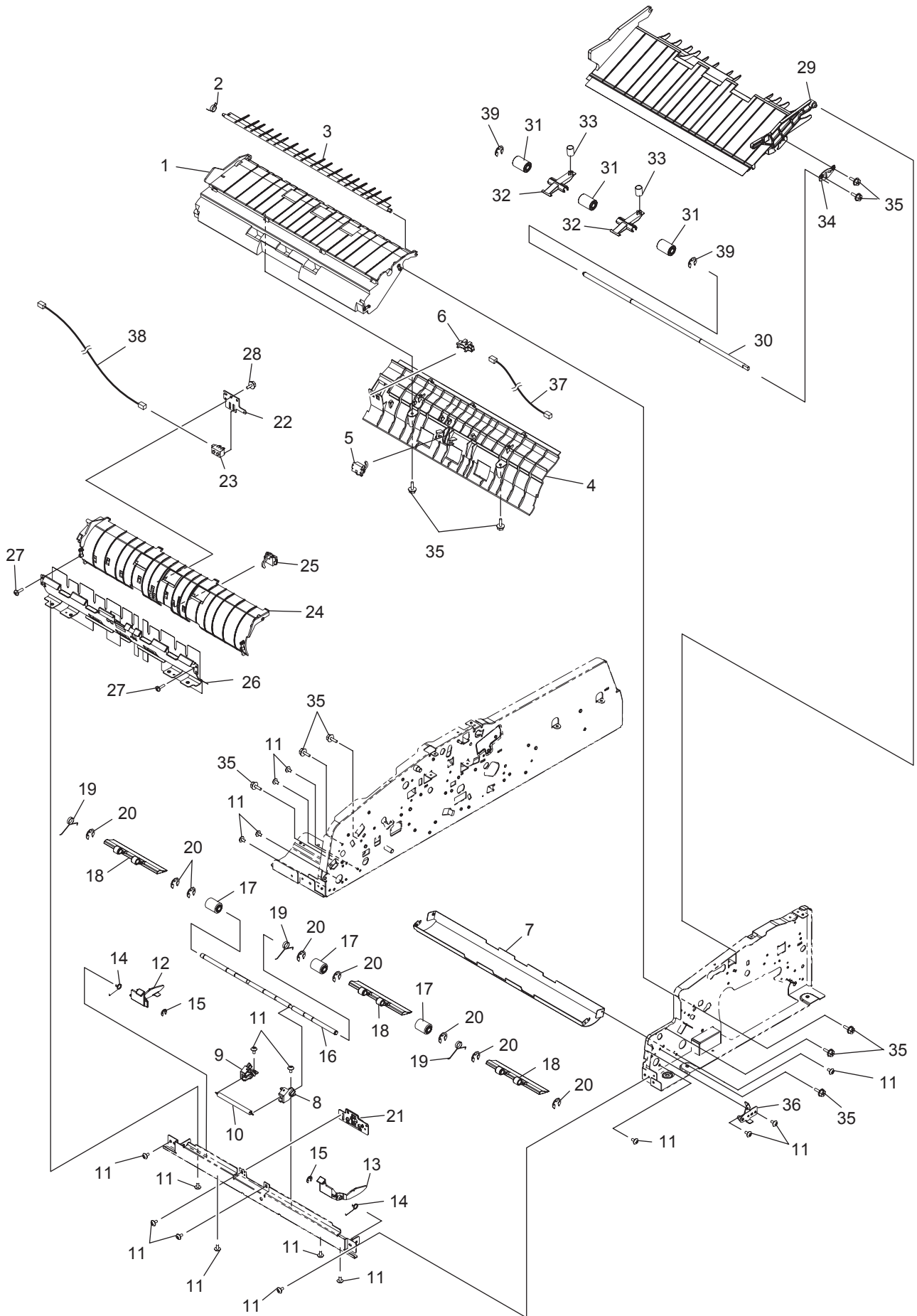


ITEM No.	PART No.	PART NAME	Q'TY / PAGE	Q'TY / PACK	REMARKS
1	6LH06595000	GUIDE-SB-U-TQ	1	1/PP	
2	6LH06623000	SPR-ERTH-SB	1	1/P	
3	6LA08935000	SCR-M3X6BISR-NI	9	10/P	
4	6LH06500000	GUIDE-SB-IN	1	1/PP	
5	6LH06677000	SFT-EXIT-SB-D6	2	1/P	
6	6LH06530000	ROL-IDL-D15-D6-POM	3	1/P	
7	X0-00966000	RR/E-5-SS	4	10/P	
8	6LH06552000	LEV-DELTA	2	1/P	
9	6LH06678000	SPR-SB-IN	2	1/P	
10	C0-10813000	GP1A73ARJ00F	1	1/P	
11	6LH06582000	LEVER-OUT-SENS	1	1/P	
12	6LH06681000	SPR-SENS-OUT	1	1/P	
13	6LH06526000	ROL-IDL-D16-POM	3	1/P	
14	6LH06554000	LEV-EXIT	2	1/P	
15	6LH06680000	SPR-SB-OUT	2	1/P	
16	6LH06646000	ROL-TRANS-RVS	1	1/KP	
17	6LH06618000	SPL-GUIDE-CUSION	2	1/P	
18	6LH06539000	GUIDE-SB-IN-D	1	1/PP	
19	6LH06816000	GATE-EXIT-SFT	1	1/KP	
20	6LH06682000	SPR-GATE-EXIT	1	1/P	
21	X0-02247000	S/TPP/FHEXM-3X8-NI	9	10/P	
22	6LH06812000	STOP-RING-3	1	5/P	
23	4400536230	BUSH-4-7	1	5/P	
24	6LH06531000	PULLY-MAIN-ALNG	1	1/P	
25	6LH06567000	LVR-FLAP-EXIT-TQ	1	1/P	
26	6LH06746000	BLT-TRANS-RVS	1	1/P	
30	6LE49739000	BUSH-6X10X6F-SBK	2	5/P	
31	6LH06646000	ROL-TRANS-RVS	2	1/KP	
32	6LB12138000	PIN-2X10	1	10/P	
33	6LE49743000	STOP-RING-6-5-POM	2	5/P	
34	6LH06636000	STAY-ORG-SUB	1	1/P	
35	6LH06313000	HRNS-RADF-EXIT-430	1	1/P	
36	6LH06683000	SPG-FLAP-EXIT-TQ	1	1/P	
37	6LH06700000	ASYS-FLAP-EXIT-TQ	1	1/PP	

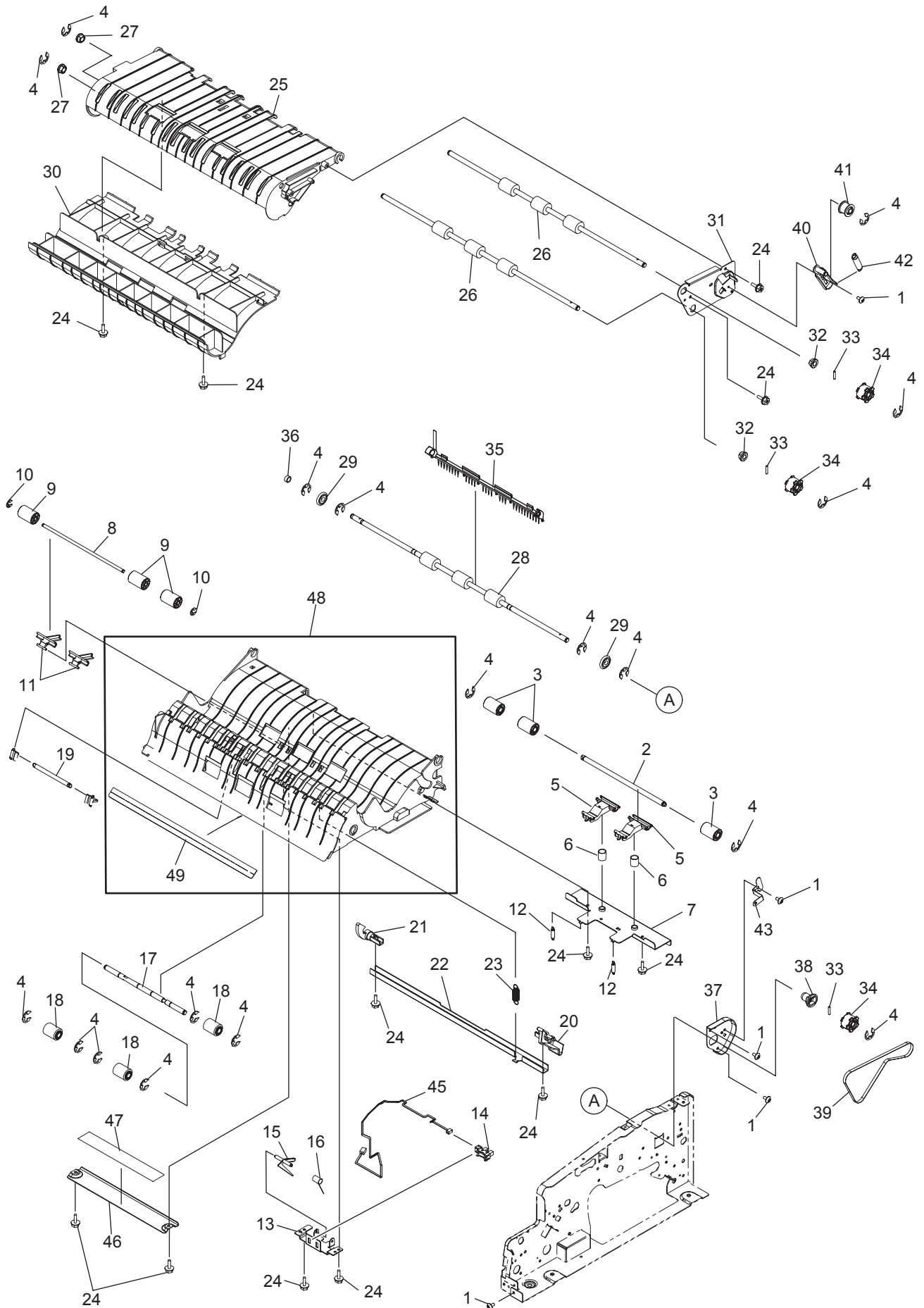


ITEM No.	PART No.	PART NAME	Q'TY / PAGE	Q'TY / PACK	REMARKS
1	6LH06644000	ROL-RVS-ALNG	1	1/KP	
2	6LH06645000	ROL-READ-OUT	1	1/KP	
3	6LH06568000	FLAP-RD	1	1/KP	
4	6LH06829000	ROL-TRANS-8	1	1/KP	
6	6LH06649000	ROL-READ-IN	1	1/KP	
7	F0-00782000	LF-1480ZZ	2	1/P	
8	6LH06535000	PULLY-READ	2	1/P	
9	6LH06531000	PULLY-MAIN-ALNG	2	1/P	
10	6LH06528000	PULLY-RVS-ALNG	1	1/P	
11	6LE50098000	ROL-TNSN-FEED	1	1/P	
12	6LH06651000	ROL-ALNG-MAIN	1	1/KP	
13	6LH06525000	PULLY-CLUCH-MAIN-ALNG	1	1/P	
14	6LH06742000	BLT-RD-FRONT	1	1/P	
19	6LH06545000	DIAL-JAM-TQ	1	1/P	
20	6LA08935000	SCR-M3X6BISR-NI	6	10/P	
21	6LE49739000	BUSH-6X10X6F-SBK	4	5/P	
22	6LE50521000	BUSH-8X12X5R5F-NU4	4	5/P	
23	44201492000	BUSH-6-POM	2	5/P	
24	6LB12138000	PIN-2X10	3	10/P	
25	6LE49743000	STOP-RING-6-5-POM	6	5/P	
26	41306265000	STOP RING	3	1/P	
27	X0-00968000	RR/E-7-SS	1	10/P	
28	6LH06785000	SPG-FLAP-READ-TQ	1	1/P	
100	X0-01277000	S/BID-M3X6-NC	3	10/P	

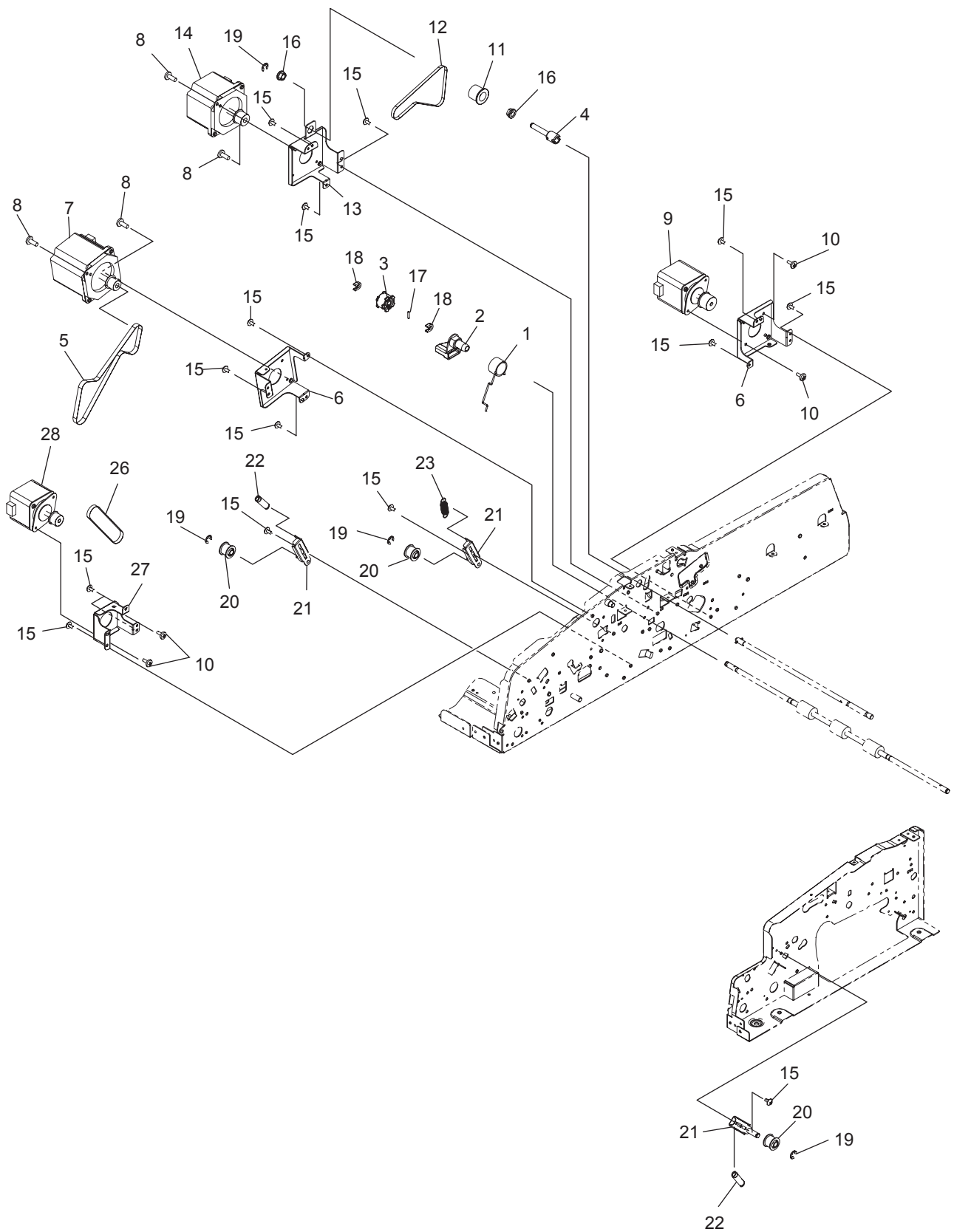




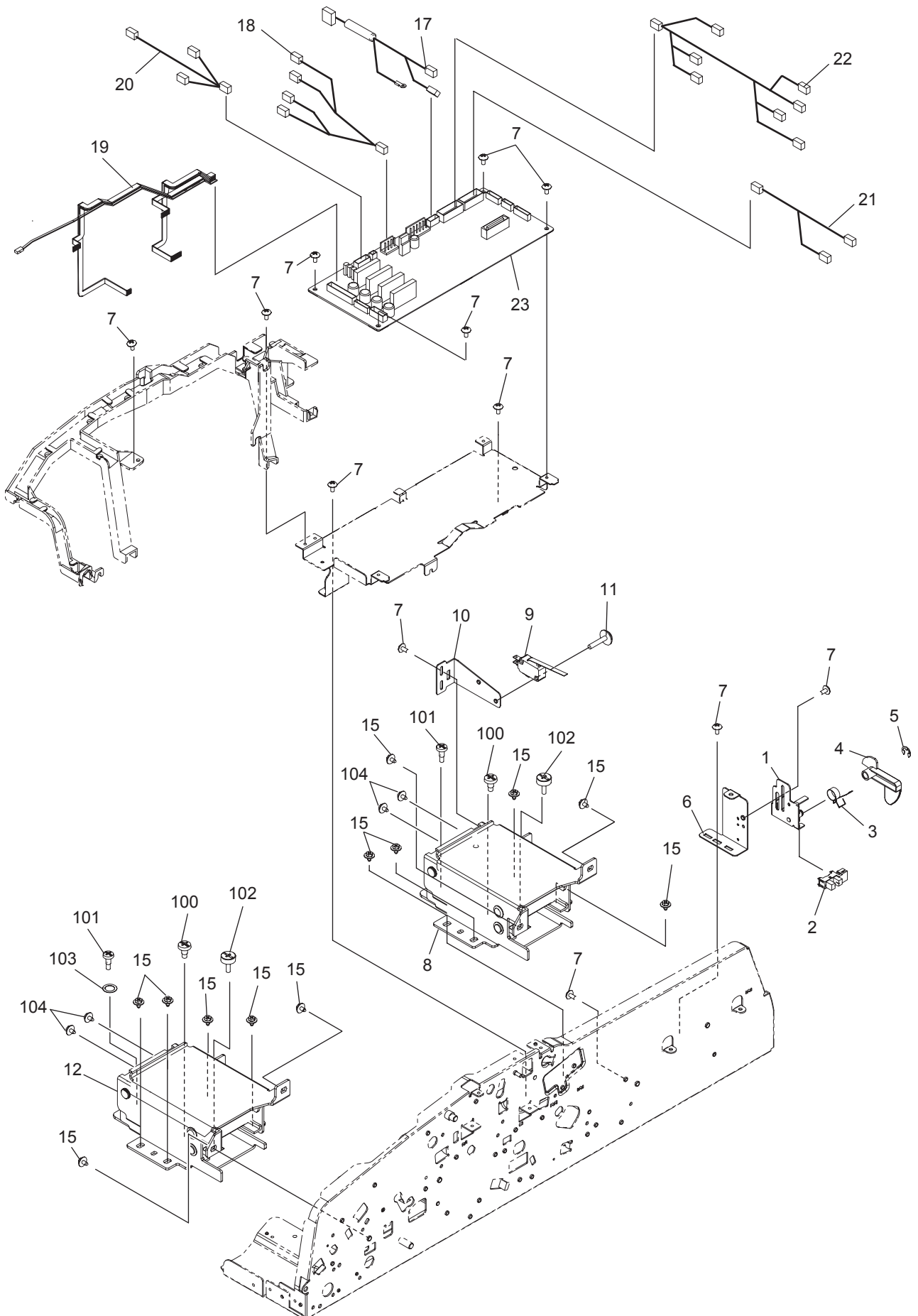
ITEM No.	PART No.	PART NAME	Q'TY / PAGE	Q'TY / PACK	REMARKS
1	6LH06518000	GUIDE-RVS-ALNG	1	1/PP	
2	6LE49784000	SPG-T-FLP-SB	1	1/C	
3	6LH06517000	GATE-SB	1	1/KP	
4	6LH06837000	ASYS-GUIDE-READ-OUT	1	1/KP	
5	6LH06323000	SNSR-RADF-EXIT-430	1	1/C	
6	C0-10813000	GP1A73ARJ00F	1	1/P	
7	6LH06521000	GUIDE-PLTN	1	1/D	
8	6LH06706000	ASYB-READ-IN-LEV-STAY-F	1	1/P	
9	6LH06707000	ASYB-READ-IN-LEV-STAY-R	1	1/P	
10	6LH06708000	SPR-LEV-READ-IN	1	1/P	
11	6LA08935000	SCR-M3X6BISR-NI	18	10/P	
12	6LH06561000	STPR-GID-PLTN-R	1	1/P	
13	6LH06563000	STPR-GID-PLTN-F	1	1/P	
14	6LH06709000	SPR-STPR-GID-PLTN	2	1/P	
15	X0-00964000	RR/E-3-SS	2	10/P	
16	6LH06710000	SFT-IDL-RD-IN-L	1	1/P	
17	6LH06637000	ASYS-ROL-RD-IN-IDL	3	1/P	
18	6LH06540000	GUIDE-RD-IN-GLASS	3	1/P	
19	6LH06712000	SPR-READ-IN-GUIDE	3	1/P	
20	X0-00965000	RR/E-4-SS	8	10/P	
21	6LH06713000	ASYB-BRKT-PRISM	1	1/P	
22	6LH06640000	PLT-SENSOR-RI	1	1/P	
23	C0-14572000	EON-5041-701	1	1/C	
24	6LH06551000	GUIDE-READ-IN	1	1/PP	
25	6LH06321000	SNSR-RADF-MID-430	1	1/C	
26	6LH06807000	ASYS-GUIDE-READ-IN-PLT	1	1/C	
27	X0-01989000	S/TPP/BID-3X8-NI	2	10/P	
28	X0-02541000	S/TPP/BRZ-3X6-ZU3	1	10/P	
29	6LH06737000	ASYS-GUIDE-SB	1	1/KP	
30	6LH06740000	SFT-ROL-RVS-ALNG	1	1/P	
31	6LH06526000	ROL-IDL-D16-POM	3	1/P	
32	6LH06552000	LEV-DELTA	2	1/P	
33	6LH06741000	SPR-DELTA	2	1/P	
34	6LH06603000	BRKT-DELTA-SET	1	1/P	
35	X0-02247000	S/TPP/FHEXM-3X8-NI	10	10/P	
36	6LH06608000	ASYS-BRKT-COV-JAM-F	1	1/P	
37	6LH06316000	HRNS-RADF-JCOVL-430	1	1/P	
38	6LH06315000	HRNS-RADF-READI-430	1	1/P	
39	X0-00966000	RR/E-5-SS	2	10/P	



ITEM No.	PART No.	PART NAME	Q'TY / PAGE	Q'TY / PACK	REMARKS
1	6LA08935000	SCR-M3X6BISR-NI	6	10/P	
2	6LH06677000	SFT-EXIT-SB-D6	1	1/P	
3	6LH06526000	ROL-IDL-D16-POM	3	1/P	
4	X0-00966000	RR/E-5-SS	18	10/P	
5	6LH06554000	LEV-EXIT	2	1/P	
6	6LH06680000	SPR-SB-OUT	2	1/P	
7	6LH06583000	BRKT-LEV-EXIT	1	1/P	
8	6LH06687000	SFT-EXIT-D4	1	1/P	
9	6LH06527000	ROL-IDL-D16-D4-POM	3	1/P	
10	X0-00964000	RR/E-3-SS	2	10/P	
11	6LH06534000	LEV-EXIT-R	2	1/P	
12	6LH06688000	SPR-LEV-EXIT	2	1/P	
13	6LH06586000	BRKT-BACK-EXIT-SNS	1	1/P	
14	C0-15172000	GP1A173LCS2F	1	1/C	
15	6LH06546000	ACTR-BACK-EXIT	1	1/P	
16	6LH06690000	SPR-BACK-SNS	1	1/P	
17	6LH06652000	SFT-IDL-RD-OUT	1	1/P	
18	6LH06637000	ASYS-ROL-RD-IN-IDL	3	1/P	
19	6LH06708000	SPR-LEV-READ-IN	1	1/P	
20	6LH06549000	LEVER-GUIDE-LOCK-F	1	1/P	
21	6LH06550000	LEVER-GUIDE-LOCK-R	1	1/P	
22	6LH06579000	BRKT-GUIDE-OPEN	1	1/P	
23	6LH06693000	SPR-GUIDE-EXIT-OPEN	1	1/P	
24	X0-02247000	S/TPP/FHEXM-3X8-NI	12	10/P	
25	6LH06515000	GUIDE-EXIT-IN	1	1/PP	
26	6LH06647000	ROL-EXIT-SB	2	1/KP	
27	44201492000	BUSH-6-POM	2	5/P	
28	6LH06648000	ROL-EXIT	1	1/KP	
29	6LH06802000	ROL-COL-TQ	2	1/P	
30	6LH06516000	GUIDE-EXIT-IN-L	1	1/PP	
31	6LH06578000	PLATE-DRV-EXIT-F	1	1/P	
32	6LE49739000	BUSH-6X10X6F-SBK	2	5/P	
33	6LB12138000	PIN-2X10	3	10/P	
34	6LH06529000	PULLY-EXIT	3	1/P	
35	6LH06800000	ASYS-SHUT-EXIT-TQ	1	1/KP	
36	6LH23444000	BUSH-GCB-6-4-NU4	1	1/P	
37	6LH06599000	PLT-GUIDE-EXIT	1	1/P	
38	6LH06522000	BUSH-GUIDE-EXIT-F	1	1/P	
39	6LH06697000	BLT-EXIT-F	1	1/P	
40	6LE50110000	ASYS-PLT-TNSN	1	1/P	
41	6LE50098000	ROL-TNSN-FEED	1	1/P	
42	6LH06698000	SPR-TNSN-READ-10N	1	1/P	
43	6LH06796000	SPR-ERTH-FR	1	1/C	
44	6LH06314000	HRNS-RADF-EXITR-430	1	1/P	
45	6LH06584000	BRKT-GUIDE-PUSH	1	1/P	
46	6LH06772000	LBL-PUSH-TQ	1	1/KP	
47	6LH06604000	ASYS-GUIDE-EXIT	1	1/C	
48	6LH06605000	MYLAR-GUIDE-EXIT	1	1/KP	
49					

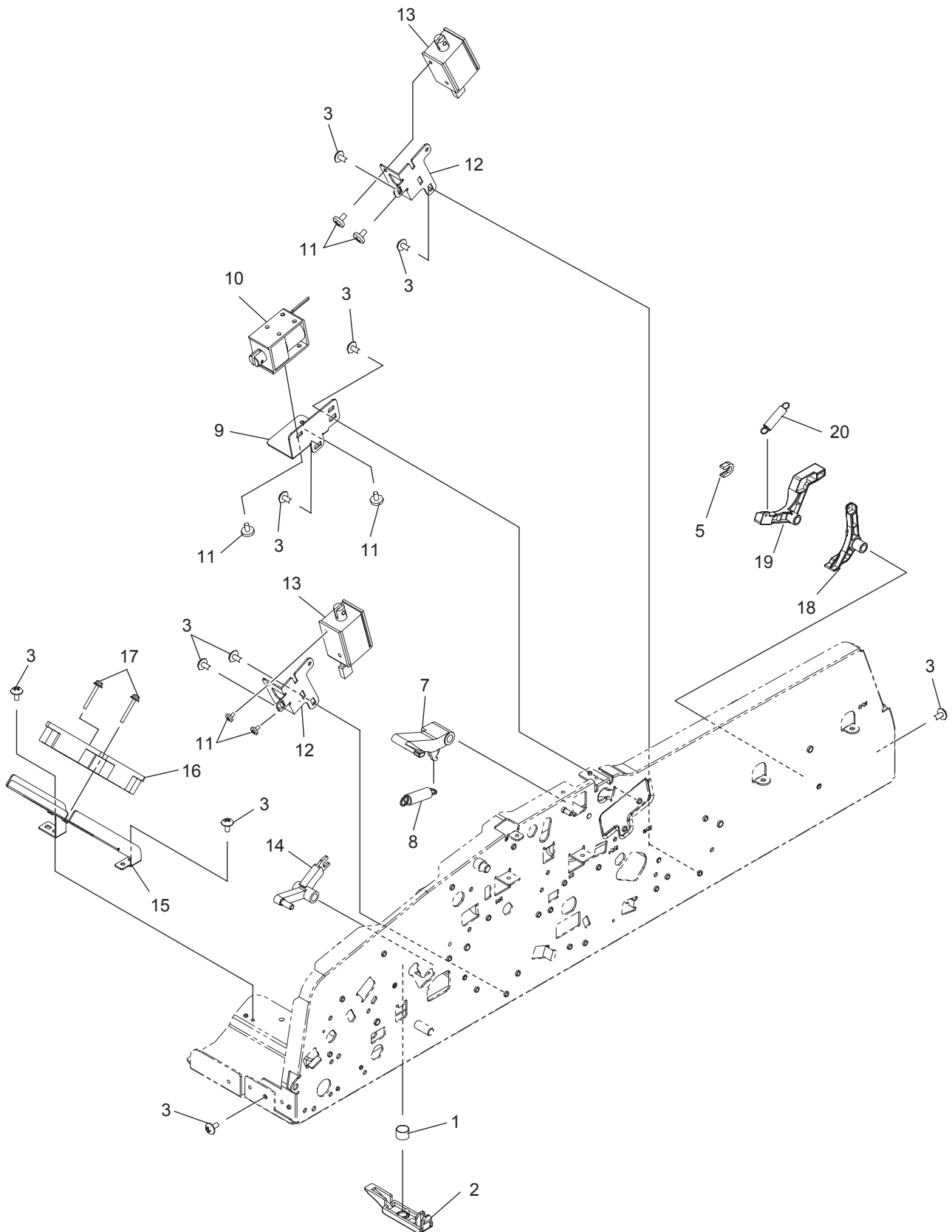


ITEM No.	PART No.	PART NAME	Q'TY / PAGE	Q'TY / PACK	REMARKS
1	6LH06841000	SPR-CUSHION-GUIDE-EXIT	1	1/P	
2	6LH06523000	BUSH-GUIDE-EXIT-R	1	1/P	
3	6LH06529000	PULLY-EXIT	1	1/P	
4	6LH06655000	ASYS-CPG-FED-TQ	1	1/P	
5	6LH06744000	BLT-RD-MOT-REAR	1	1/P	
6	6LH06575000	BRKT-MOT-EXIT	2	1/P	
7	6LH06318000	MOTR_S-RADF-READ-430	1	1/C	
8	X0-01453000	S/TPS/BID-4X8-NC	4	10/P	
9	6LH06320000	MOTR_S-RADF-EXIT-430	1	1/C	
10	X0-01277000	S/BID-M3X6-NC	2	10/P	
11	6LH06519000	PULLY-CLUCH-FEED	1	1/P	
12	6LH06750000	BLT-FEED	1	1/P	
13	6LH06577000	BRKT-MOT-FEED	1	1/P	
14	6LH06317000	MOTR_S-RADF-FEED-430	1	1/C	
15	6LA08935000	SCR-M3X6BISR-NI	6	10/P	
16	6LE49739000	BUSH-6X10X6F-SBK	2	5/P	
17	6LB12138000	PIN-2X10	1	10/P	
18	6LE49743000	STOP-RING-6-5-POM	2	5/P	
19	X0-00966000	RR/E-5-SS	3	10/P	
20	6LE50098000	ROL-TNSN-FEED	3	1/P	
21	6LE50110000	ASYS-PLT-TNSN	3	1/P	
22	6LH06698000	SPR-TNSN-READ-10N	2	1/P	
23	6LH06752000	SPR-TNSN-FEED-4N	1	1/P	
26	6LH06746000	BLT-TRANS-RVS	1	1/P	
27	6LH06576000	BRKT-MOT-SB	1	1/P	
28	6LH06319000	MOTR_S-RADF-SB-430	1	1/C	

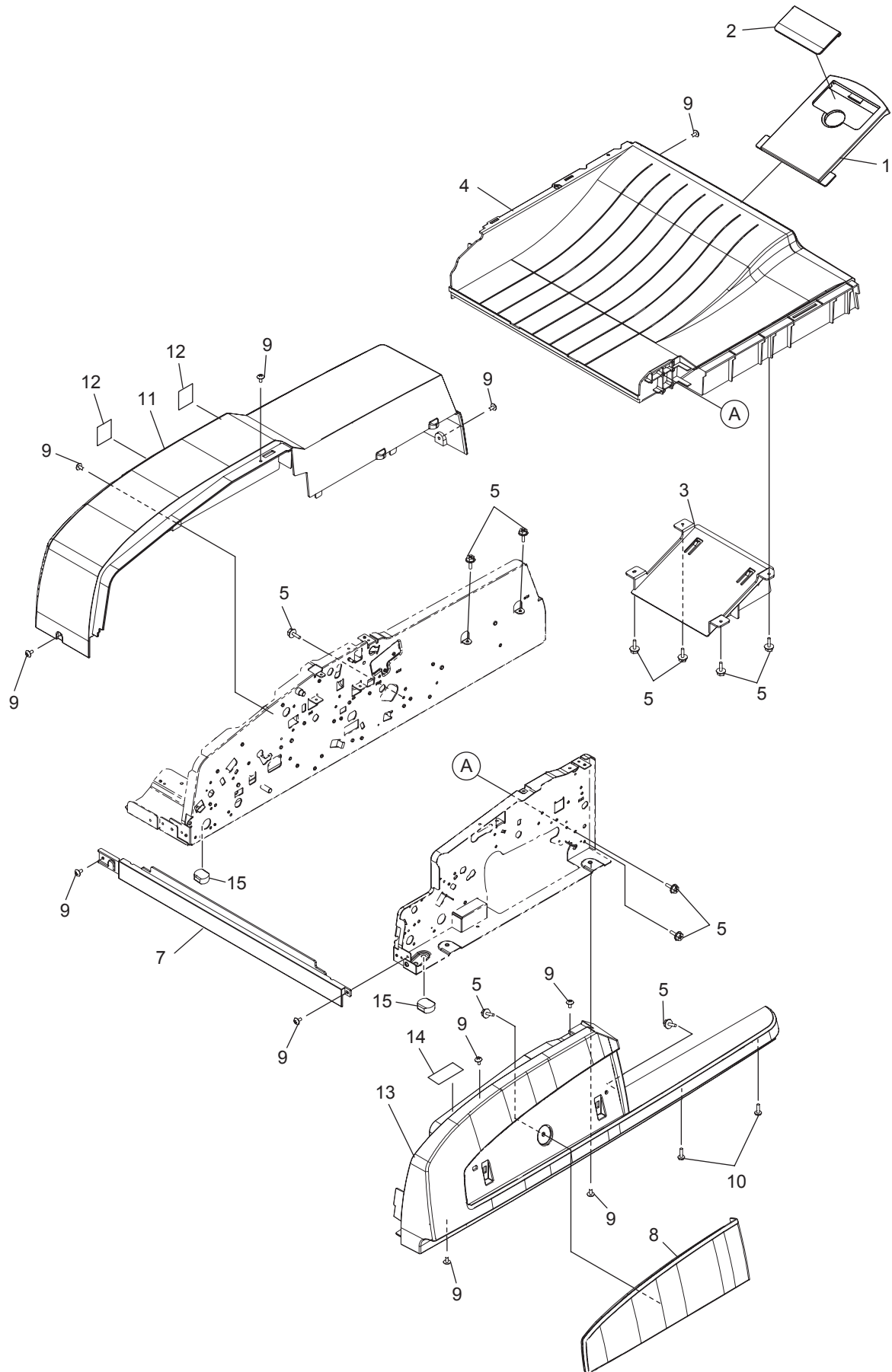


ITEM No.	PART No.	PART NAME	Q'TY / PAGE	Q'TY / PACK	REMARKS
1	6LE59872000	ASYS-PLT-OPEN-N	1	1/P	
2	C0-15172000	GP1A173LCS2F	1	1/C	
3	6LE50488000	SPG-T-OPEN-SW	1	1/P	
4	6LE50487000	LVR-OPEN-SW	1	1/P	
5	X0-00966000	RR/E-5-SS	1	10/P	
6	6LE50490000	PLT-INTRLOK	1	1/P	
7	6LA08935000	SCR-M3X6BISR-NI	12	10/P	
8	6LH06755000	HINGE-R-TQ	1	1/D	
9	E0-12468000	AM51613C731Y1N	1	1/C	
10	6LH06667000	BRKT-I-LOCK-SW-TQ	1	1/P	
11	X0-01615000	S/TPS/FPAN-3X14-NC	1	10/P	
12	6LH06668000	HINGE-L-TQ	1	1/D	
15	X0-02408000	S/TPS/FHEX/R-4X6-ZU3	12	10/P	
17	6LH06304000	HRNS-RADF-SCIF-430	1	1/P	
18	6LH06349000	HRNS-RADF-INTLK-430	1	1/P	
19	6LH06306000	HRNS-RADF-MOT-430	1	1/P	
20	6LH06307000	HRNS-RADF-SOL-430	1	1/P	
21	6LH06309000	HRNS-RADF-FEED-430	1	1/P	
22	6LH06312000	HRNS-RADF-READ-430	1	1/P	
23	6LH68016000	ASYB-PWA-DLG-H100S	1	1/SB	
100	6LH06789000	SCR-HINGE-TQ	2	1/P	
101	6LE50496000	SCR-HINGE-B	2	5/P	
102	6LE50497000	SCR-HINGE-C	2	5/P	
103	X0-00946000	W/PL/PJO-6-SS	1	10/P	
104	X0-01528000	S/PAN-M4X6-NC	4	10/P	

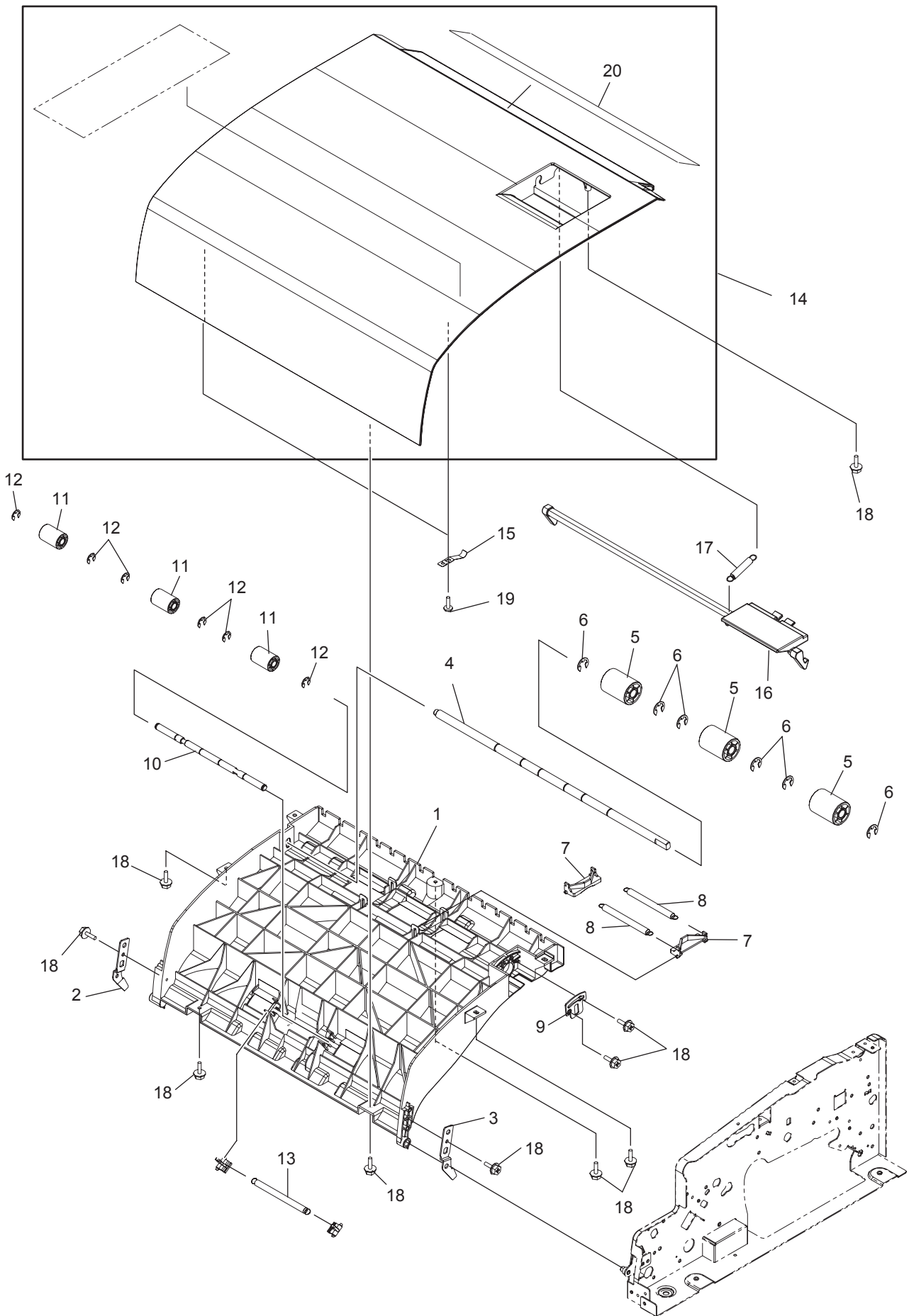




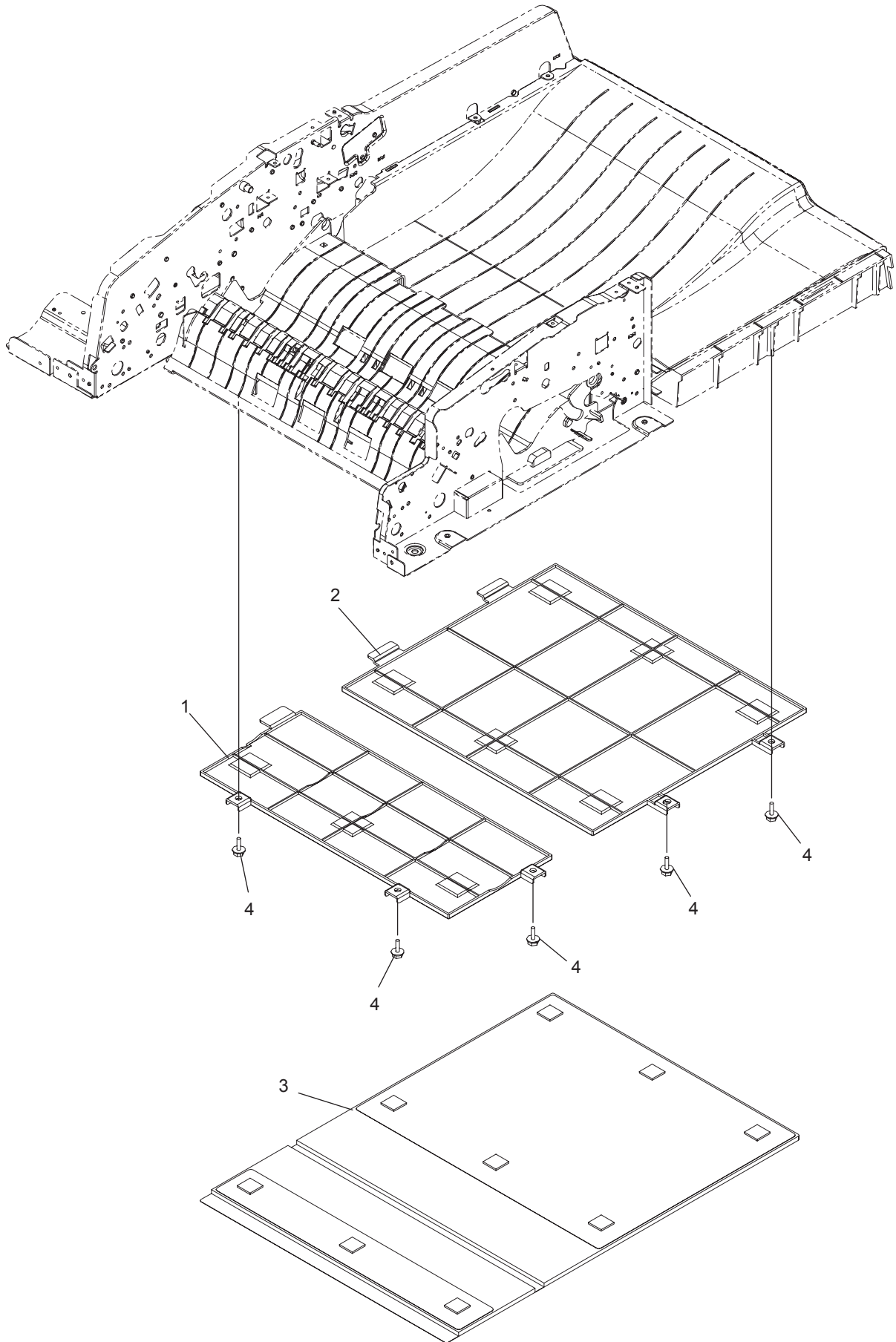
ITEM No.	PART No.	PART NAME	Q'TY / PAGE	Q'TY / PACK	REMARKS
1	6LE49758000	SPG-C-CAP-APS-R	1	5/P	
2	6LE49760000	CAP-APS-R	1	1/P	
3	6LA08935000	SCR-M3X6BISR-NI	10	10/P	
5	6LE49743000	STOP-RING-6-5-POM	1	5/P	
7	6LH06555000	LEVER-PICK-SOL	1	1/P	
8	6LH06811000	SPG-E-PICK-SOL	1	1/P	
9	6LH06612000	BRKT-SOL-PICKUP	1	1/P	
10	6LE49521000	SOL-RUBY-PICKUP-623	1	1/D	
11	X0-00426000	S/BID-M3X4-NI	6	10/P	
12	6LH06824000	BRKT-SOL-FLAP-TQ	2	1/P	
13	6LH06332000	SOL-RADF-GATE-430	2	1/D	
14	6LH06569000	LVR-FLAP-RD-TQ	1	1/P	
15	6LH06589000	BRKT-FAN-TQ	1	1/P	
16	6LE09167000	FAND-6015-390	1	1/D	
17	X0-00130000	S/PAN/SWWP-M3X20-NI	2	10/P	
18	6LH06825000	LEV-I-LOCK-SW-IN-TQ	1	1/P	
19	6LH06826000	LEV-I-LOCK-SW-OUT-TQ	1	1/P	
20	6LH06827000	SPR-I-LOCK-SW	1	1/P	



ITEM No.	PART No.	PART NAME	Q'TY / PAGE	Q'TY / PACK	REMARKS
1	6LE50001000	TRAY-SUB-EXT-OUT	1	1/P	
2	6LE50002000	TRAY-SUB-EXT-IN	1	1/P	
3	6LH06639000	HLDR-TRAY-SUB-TQ	1	1/P	
4	6LH06501000	TRAY-EXIT-TQ	1	1/PP	
5	X0-02247000	S/TPP/FHEXM-3X8-NI	11	10/P	
7	6LH06581000	COV-LEFT-TQ	1	1/KP	
8	6LH06512000	COV-POCKET-TQ	1	1/PP	
9	6LA08935000	SCR-M3X6BISR-NI	11	10/P	
10	X0-01989000	S/TPP/BID-3X8-NI	2	10/P	
11	6LH06506000	COV-REAR-TQ	1	1/PP	
12	6LE49769000	LBL.W-COV-PS	1	1/P	
13	6LH06850000	COV-FRONT-TQ	1	1/PP	
14	6LE49717000	LABEL-JAM-1-623	1	5/P	
15	6LH37848000	GASKET-5-12-4	2	5/P	

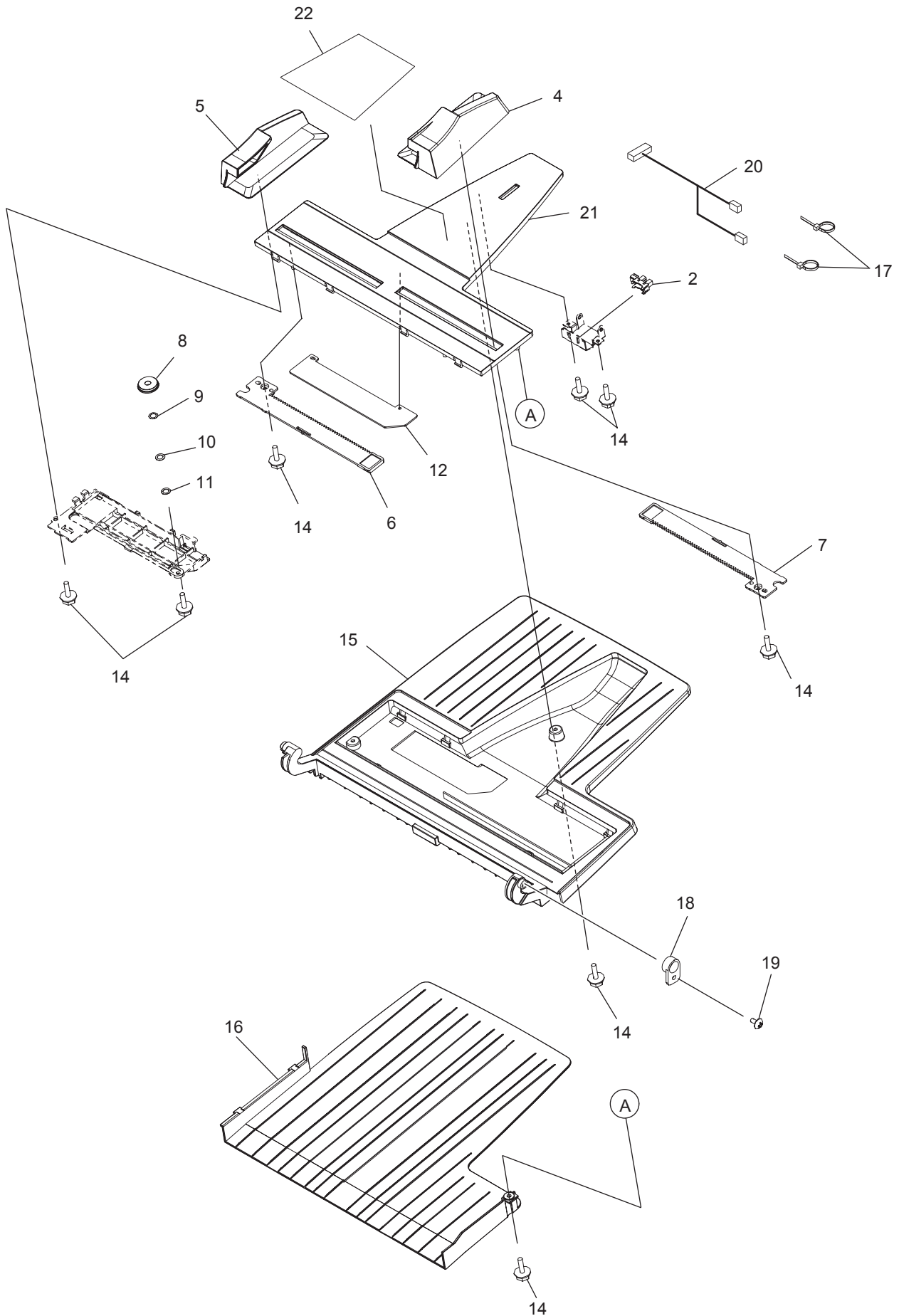


ITEM No.	PART No.	PART NAME	Q'TY / PAGE	Q'TY / PACK	REMARKS
1	6LH06804000	ASYS-GUIDE-COV-OP	1	1/PP	
2	6LH06606000	ASYS-BRKT-COV-OP	1	1/P	
3	6LH06602000	BRKT-COV-OP-F	1	1/P	
4	6LH06759000	SFT-IDL-RD-IN-D8	1	1/P	
5	6LH06613000	ROL-IDL-ALNG	3	1/P	
6	X0-00968000	RR/E-7-SS	6	10/P	
7	6LH06520000	LEV-IDL-ALNG	2	1/P	
8	6LH06760000	SPR-LEV-COV-IDL	2	1/P	
9	6LH06600000	BRKT-COV-OP-IDL-SET	1	1/P	
10	6LH06762000	SFT-IDL-D6	1	1/P	
11	6LH06526000	ROL-IDL-D16-POM	3	1/P	
12	X0-00966000	RR/E-5-SS	6	10/P	
13	6LH06763000	SPR-LEV-READ-IN-U	1	1/P	
14	6LH06765000	ASYS-COV-OP	1	1/PP	
15	6LE50428000	SPG-F-GID-SB-PUSH	2	1/P	
16	6LH06524000	LVR-COV-OPEN-TQ	1	1/KP	
17	6LH06767000	SPG-COV-JAM	1	1/P	
18	X0-02247000	S/TPP/FHEXM-3X8-NI	10	10/P	
19	X0-01989000	S/TPP/BID-3X8-NI	2	10/P	
20	6LH06865000	LBL-SIZE-TQ	1	1/KP	

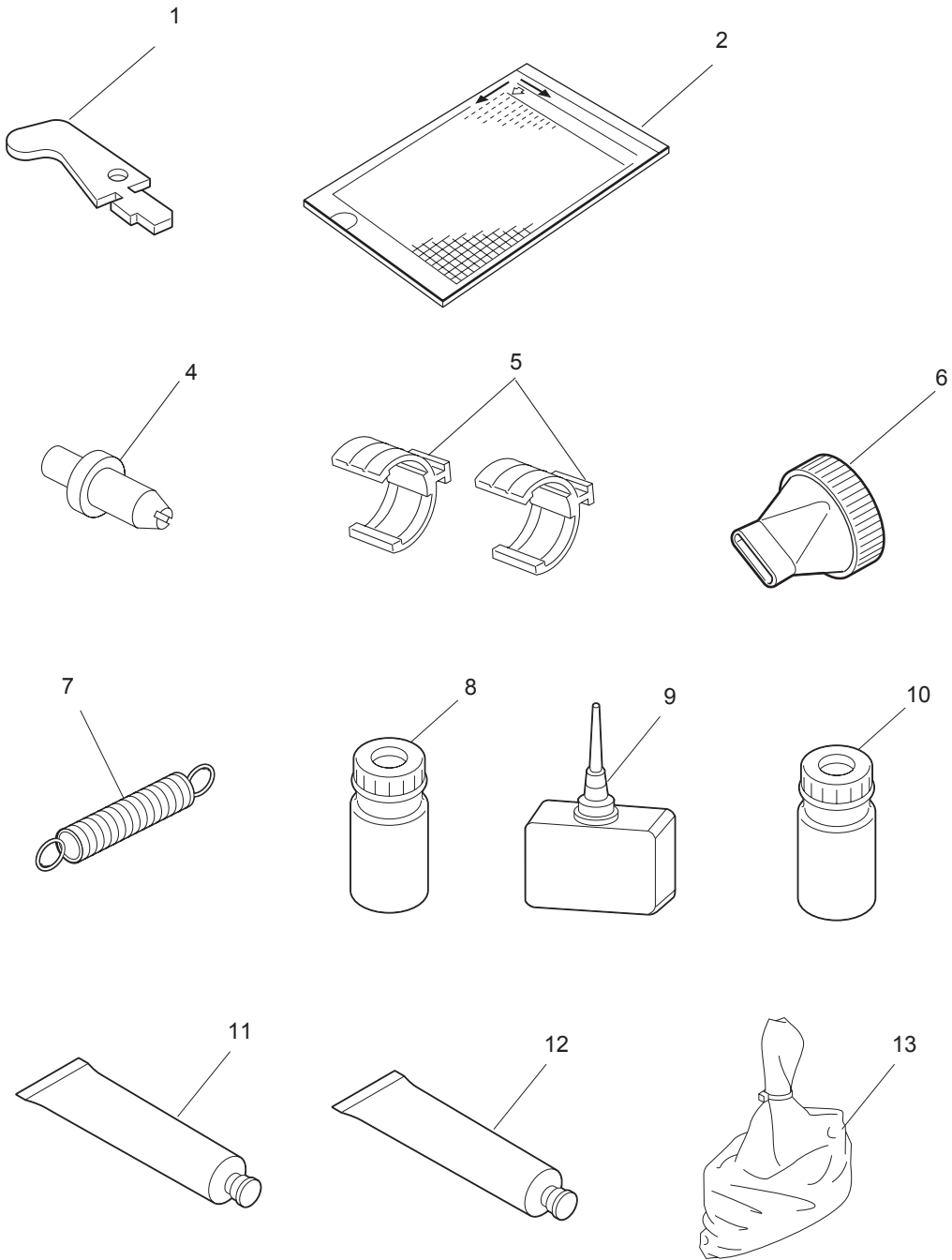


ITEM No.	PART No.	PART NAME	Q'TY / PAGE	Q'TY / PACK	REMARKS
1	6LH06702000	ASYS-BASE-PLTN-L	1	1/PP	
2	6LH06703000	ASYS-BASE-PLTN-R	1	1/PP	
3	6LH06663000	ASYS-SHEET-PLTN-TQ	1	1/KP	
4	X0-02247000	S/TPP/FHEXM-3X8-NI	5	10/P	

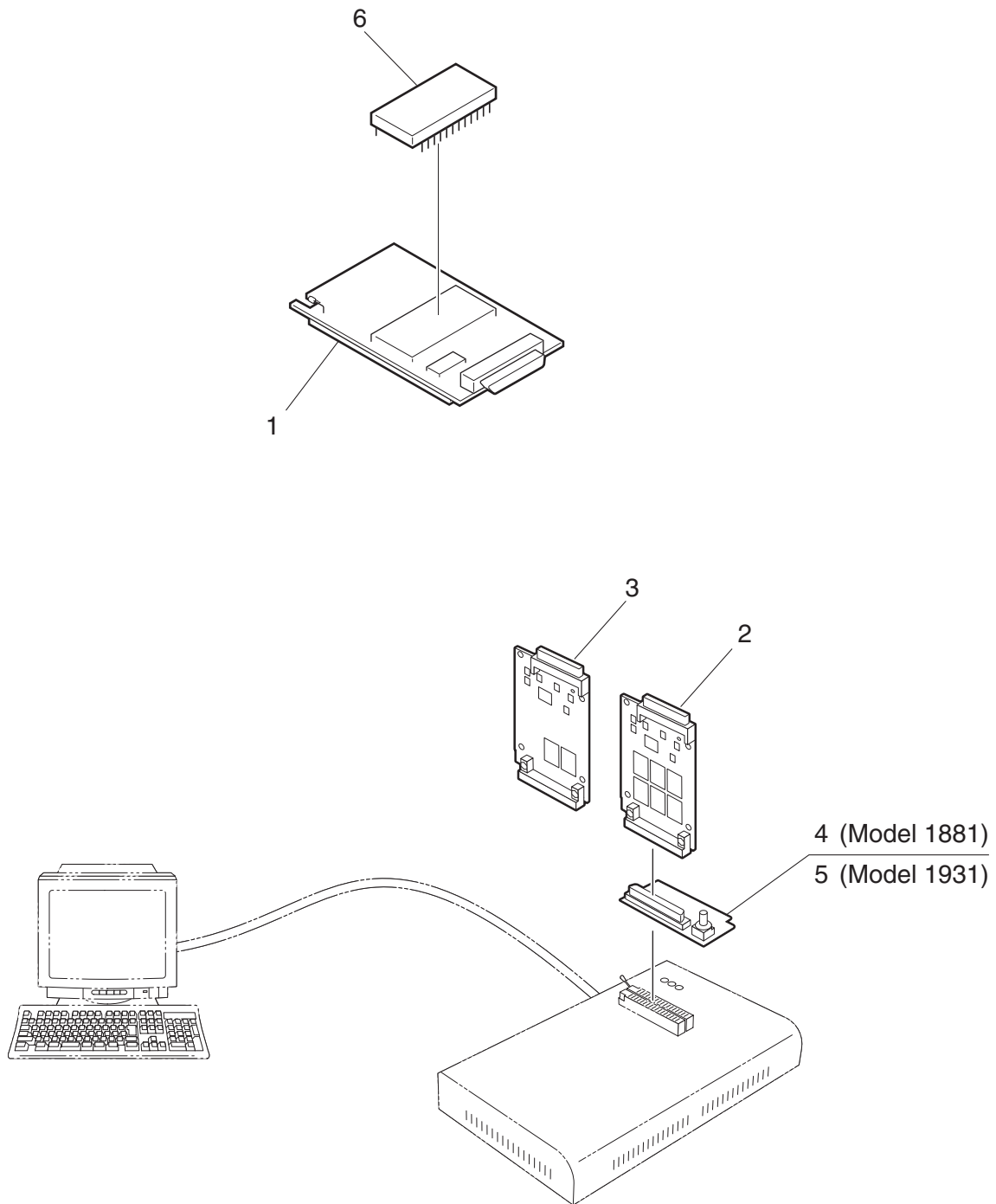




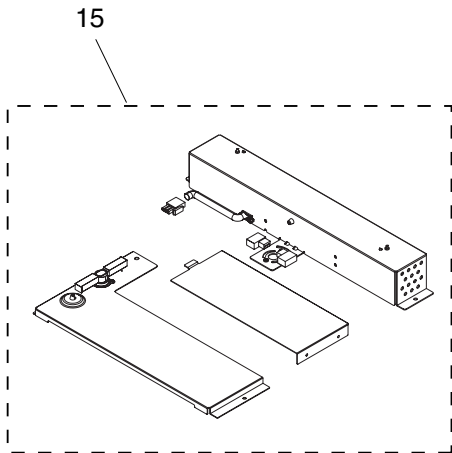
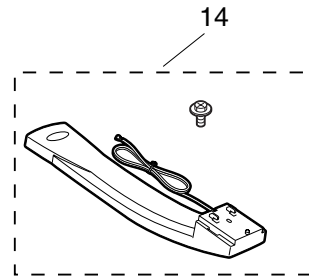
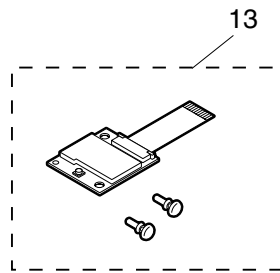
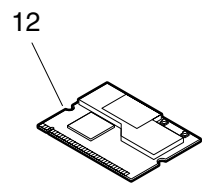
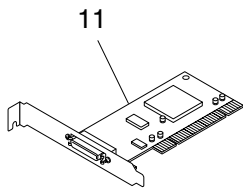
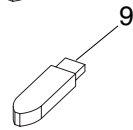
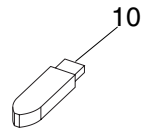
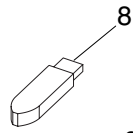
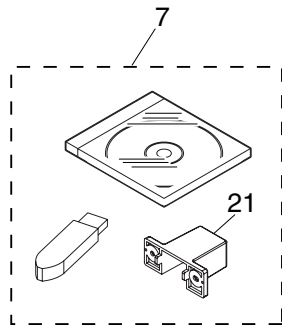
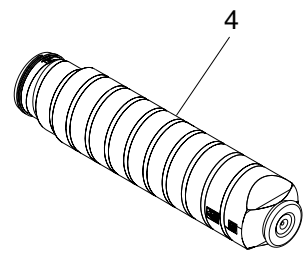
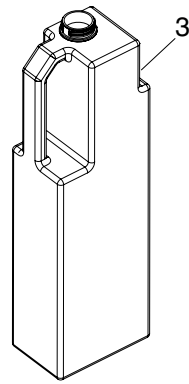
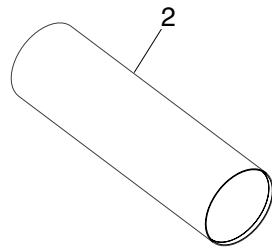
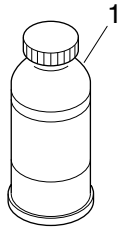
ITEM No.	PART No.	PART NAME	Q'TY / PAGE	Q'TY / PACK	REMARKS
2	C0-15172000	GP1A173LCS2F	1	1/C	
4	6LH06729000	ASYS-GID-TRY-F-TQ	1	1/P	
5	6LH06730000	ASYS-GID-TRY-R-TQ	1	1/P	
6	6LE59922000	RACK-TRAY-PC	1	1/P	
7	6LE59921000	ASYS-RACK-TRY-PC	1	1/PP	
8	4407726480	PINION-18-395	1	1/P	
9	6LA78907000	WASHER-6R2X9R5XR13-PL	1	5/P	
10	4400974200	WASHER-W-6-10	1	10/P	
11	F0-01324000	STW-FT60 T0.25	1	5/P	
12	6LE49586000	PWA-F-TRAY-623	1	1/S	
14	X0-02247000	S/TPP/FHEXM-3X8-NI	8	10/P	
15	6LH06510000	TRAY-ORG-TQ	1	1/PP	
16	6LH06513000	TRAY-MID-TQ	1	1/PP	
17	F0-01846000	YJ-100	2	1/P	
18	6LE50470000	HLDR-TRAY-F	1	1/P	
19	6LA08935000	SCR-M3X6BISR-NI	1	10/P	
20	6LH06308000	HRNS-RADF-TRAY-430	1	1/P	
21	6LH06814000	TRAY-INNER-TQ	1	1/PP	
22	6LH06808000	LABEL-CAUTION-TQ	1	1/KP	



ITEM No.	PART No.	PART NAME	Q'TY / PAGE	Q'TY / PACK	REMARKS
1	4407915730	JIG-SW-F-COV	1	1/P	
2	4408625600	AREA-SHEET-3850	1	1/KP	
4	6LA09445000	JIG-SET-PIN-551	1	1/P	
5	6LA01757000	HOLDER-WIRE-SCAN	2	1/P	
6	4407914000	NOZZLE-BOTTLE	1	1/P	
7	44202661000	SPE-MOT-TNS	1	1/P	
8	4407933080	ASM-SILICONE-1M	1	1/P	
9	4842512170	OIL-LAUNA40-100	1	1/P	
10	6LA00019000	GREASE-HP300-S	1	1/P	
11	41303711000	ASM-PG-ALV2	1	1/P	
12	6LE36904000	MOLYKOTE_EM-30L_100G	1	1/P	

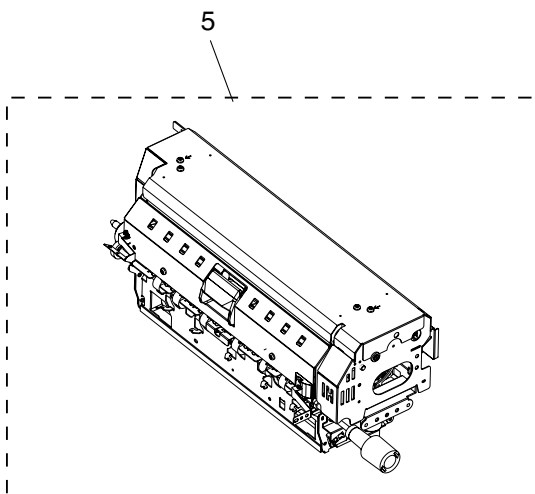
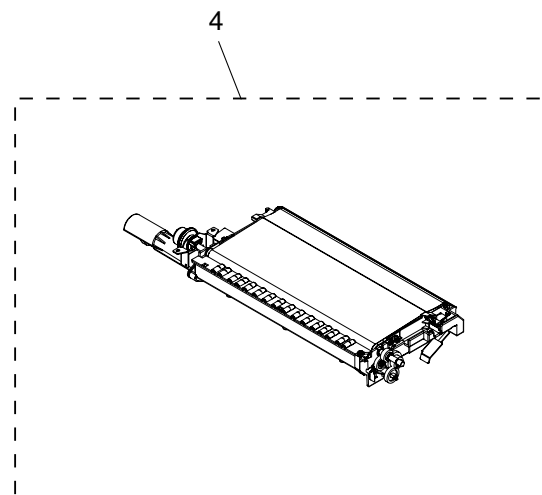
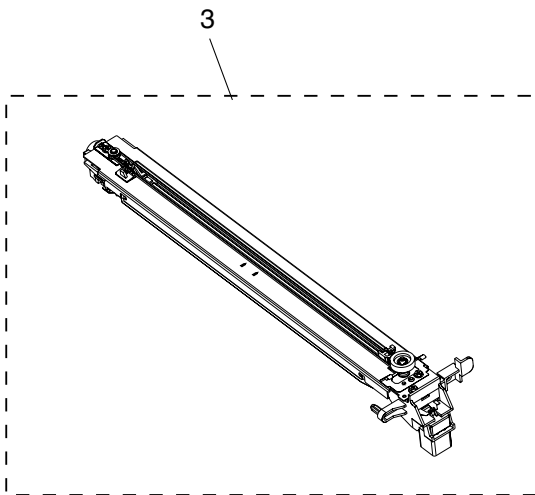
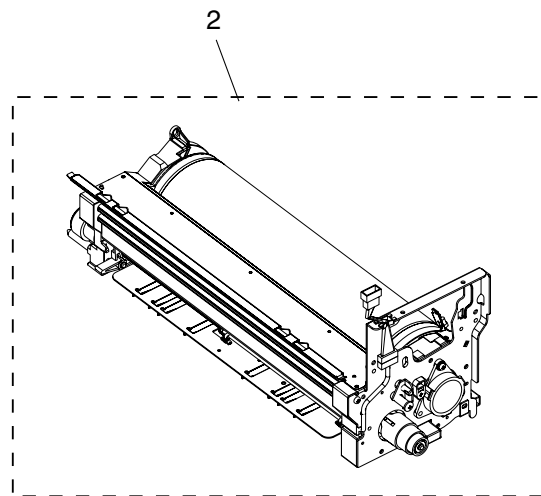
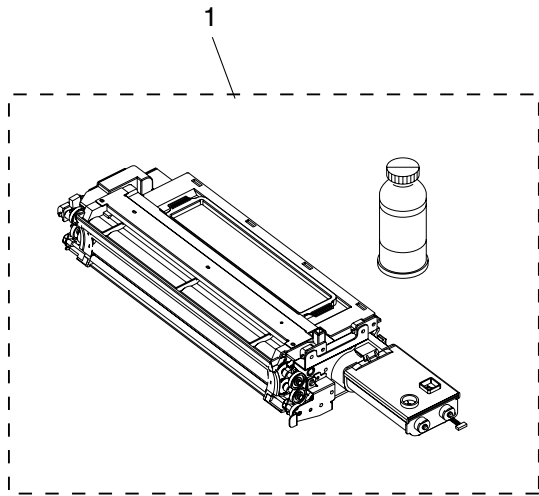


ITEM No.	PART No.	PART NAME	Q'TY / PAGE	Q'TY / PACK	REMARKS
1	44205829000	K-PWA-DLM-320	1	1/C	
2	6LA41995000	PWA-DWNLD-350-JIG2	1	1/SB	
3	6LA41994000	PWA-DWNLD-350-JIG1	1	1/SB	
4	6LA41996000	PWA-DL-ADP-350-1881	1	1/S	
5	6LA41997000	PWA-DL-ADP-350-1931	1	1/C	

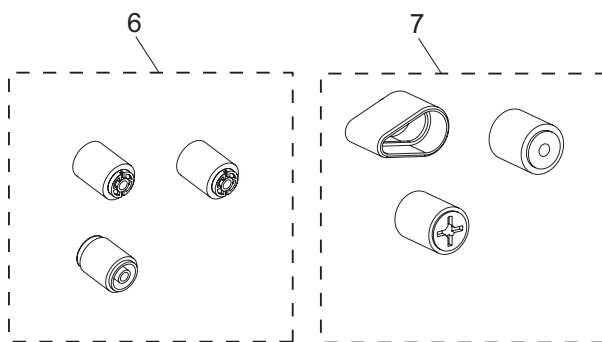
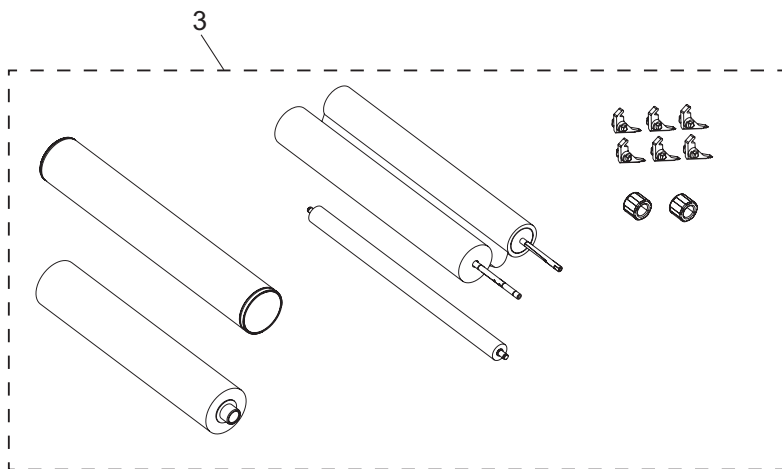
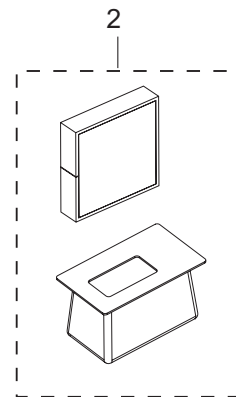
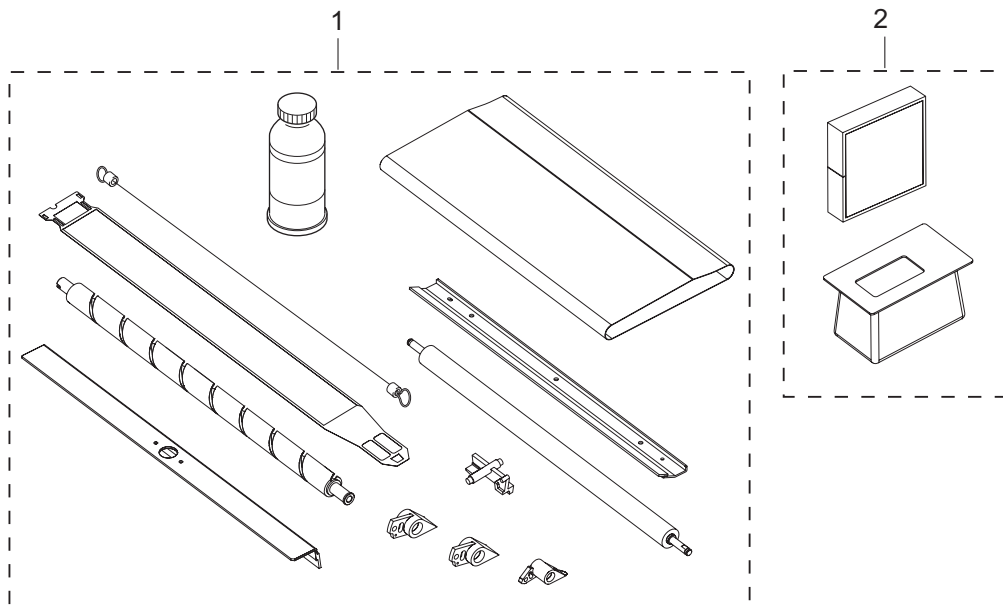


ITEM No.	PART No.	PART NAME	Q'TY / PAGE	Q'TY / PACK	REMARKS
1	6LE19277000	D-6000	1	1/S	DRUM TONER BAG TONER BAG (MJD)
2	6LA23006000	OD-6510	1	1/S	
3 A	66089851	PS-TB6510	1	SUPPLY	
3 B	66089852	PS-TB6510E	1	SUPPLY	
4 A	6AK00000015	PS-ZT6000(4)	1	SUPPLY	Printer Kit
4 B	6B000000046	PS-ZT6000(4)	1	SUPPLY	
4 C	6AK00000016	PS-ZT6000E(4)	1	SUPPLY	
4 D	6AK00000017	PS-ZT6000D(4)	1	SUPPLY	
4 E	6A0000000416	PS-ZT6000D(4)	1	SUPPLY	
7	6A0000000418	GM-1050	1	SUPPLY	
8	6A0000000422	GM-4010	1	SUPPLY	Scanner Kit
9	6A0000000420	GM-2040	1	SUPPLY	Printer/Scanner Kit
10	6A000000047D	GP-1060	1	SUPPLY	Data Overwrite Kit
11	66089914	GF-1140	1	SUPPLY	Parallel Interface Kit
12	6A0000000468	GN-1040	1	SUPPLY	IEEE802.11g Wireless LAN Module
13	6A0000000455	GN-2010	1	SUPPLY	Bluetooth Module
14	6A0000000459	GN-3010	1	SUPPLY	Antenna
15 A	6A0000000547	MF-6000U	1	SUPPLY	NAD
15 B	6A0000000548	MF-6000E	1	SUPPLY	MJD





ITEM No.	PART No.	PART NAME	Q'TY / PAGE	Q'TY / PACK	REMARKS
1 A 1 B 2 3 4	6LE15204000 6LE15203000 6LE15207000 6LE15234000 6LH72624000	DEVE-UNIT-6000 DEVE-UNIT-8500 CLN_DRUM-6000 MAIN-CH-6510 TR-BLT-8550	1 1 1 1 1	1/S 1/S 1/S 1/S 1/S	e-STUDIO555/655 e-STUDIO755/855
5 A 5 B 5 C 5 D	6LH72640000 6LH72641000 6LH72645000 6LH72646000	FUSER-6550-115 FUSER-6550-200 FUSER-8550-115 FUSER-8550-200	1 1 1 1	1/S 1/S 1/S 1/S	e-STUDIO555/655 NAD,SAD e-STUDIO555/655 MJD,ASD,ASU,AUD,ARD e-STUDIO755/855 NAD,SAD e-STUDIO755/855 MJD,ASD,ASU,AUD,ARD



ITEM No.	PART No.	PART NAME	Q'TY / PAGE	Q'TY / PACK	REMARKS
1	6LH72626000	MO-KIT-8550	1	1/S	
2	6LE15221000	MA-KIT-6000	1	1/S	
3	6LH72649000	FR-KIT-8550	1	1/S	
6	6LA06886000	ROL-KIT-81CST	1	1/P	
7	6LA09452000	DF-KIT-8110	1	1/P	



**TOSHIBA**

**TOSHIBA TEC CORPORATION**

2-17-2, HIGASHIGOTANDA, SHINAGAWA-KU, TOKYO, 141-8664, JAPAN