

# ML 292/3

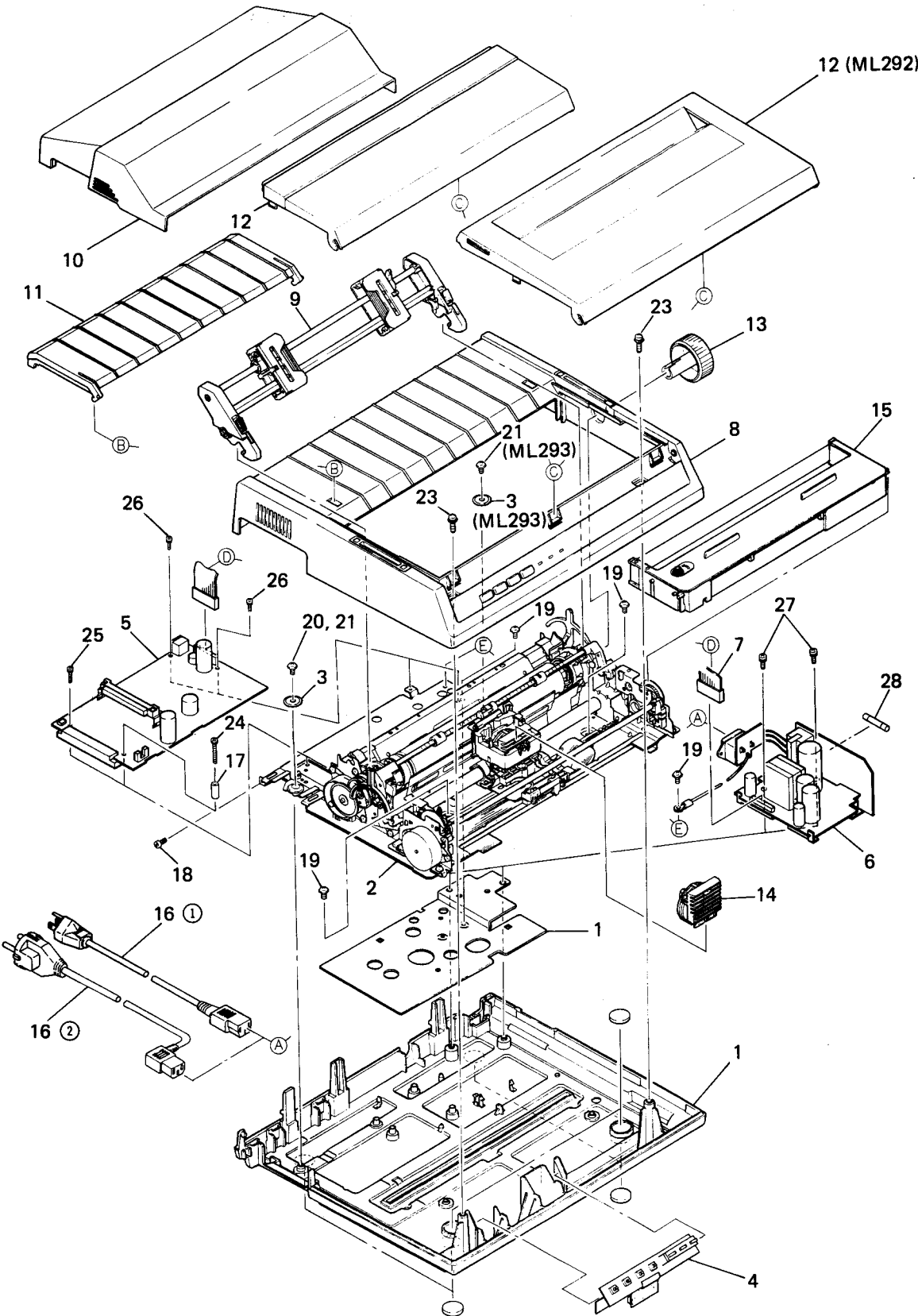
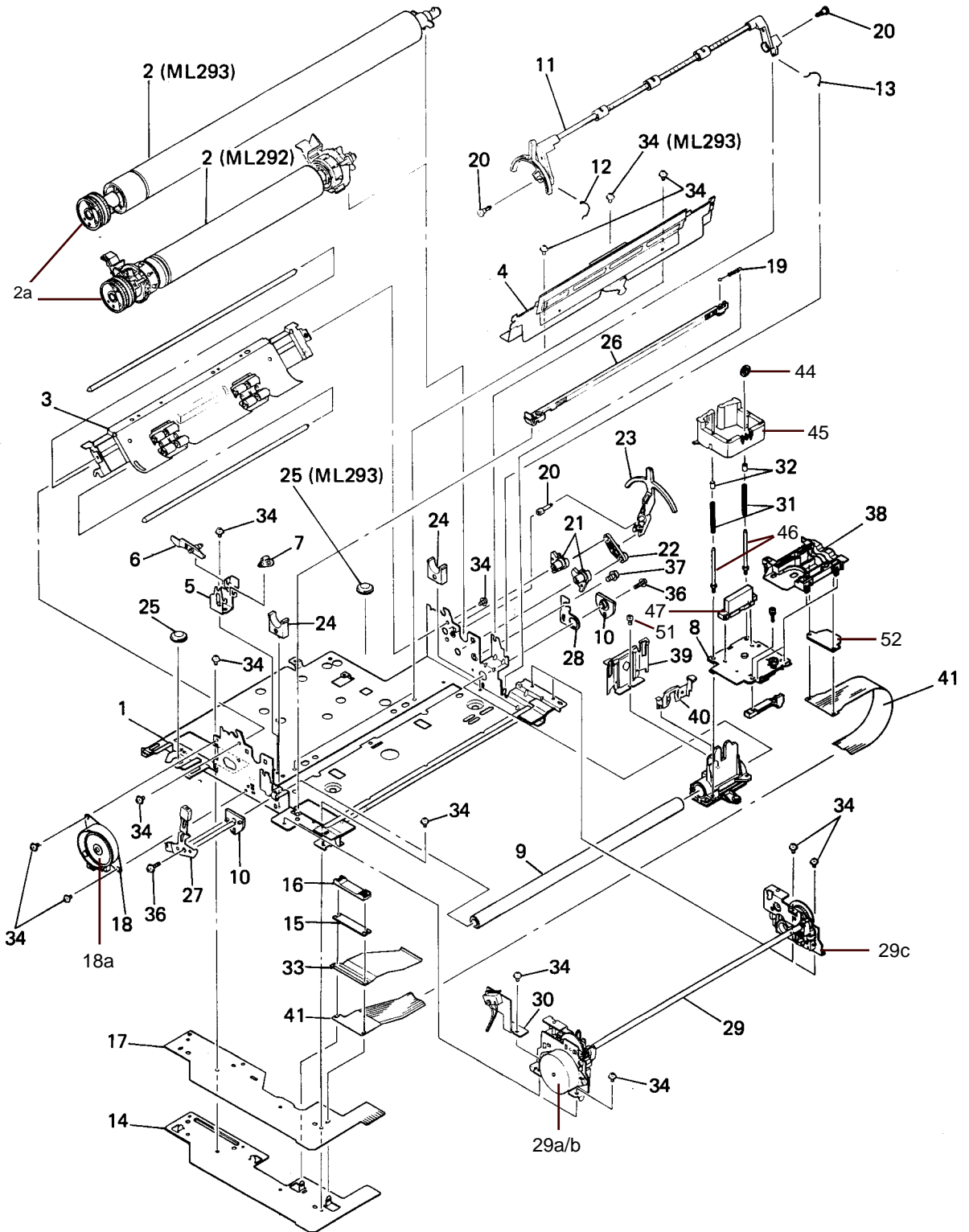


Figure 9-1 Printer unit

# ML 292/3



**Figure 9-2 Printing mechanism**