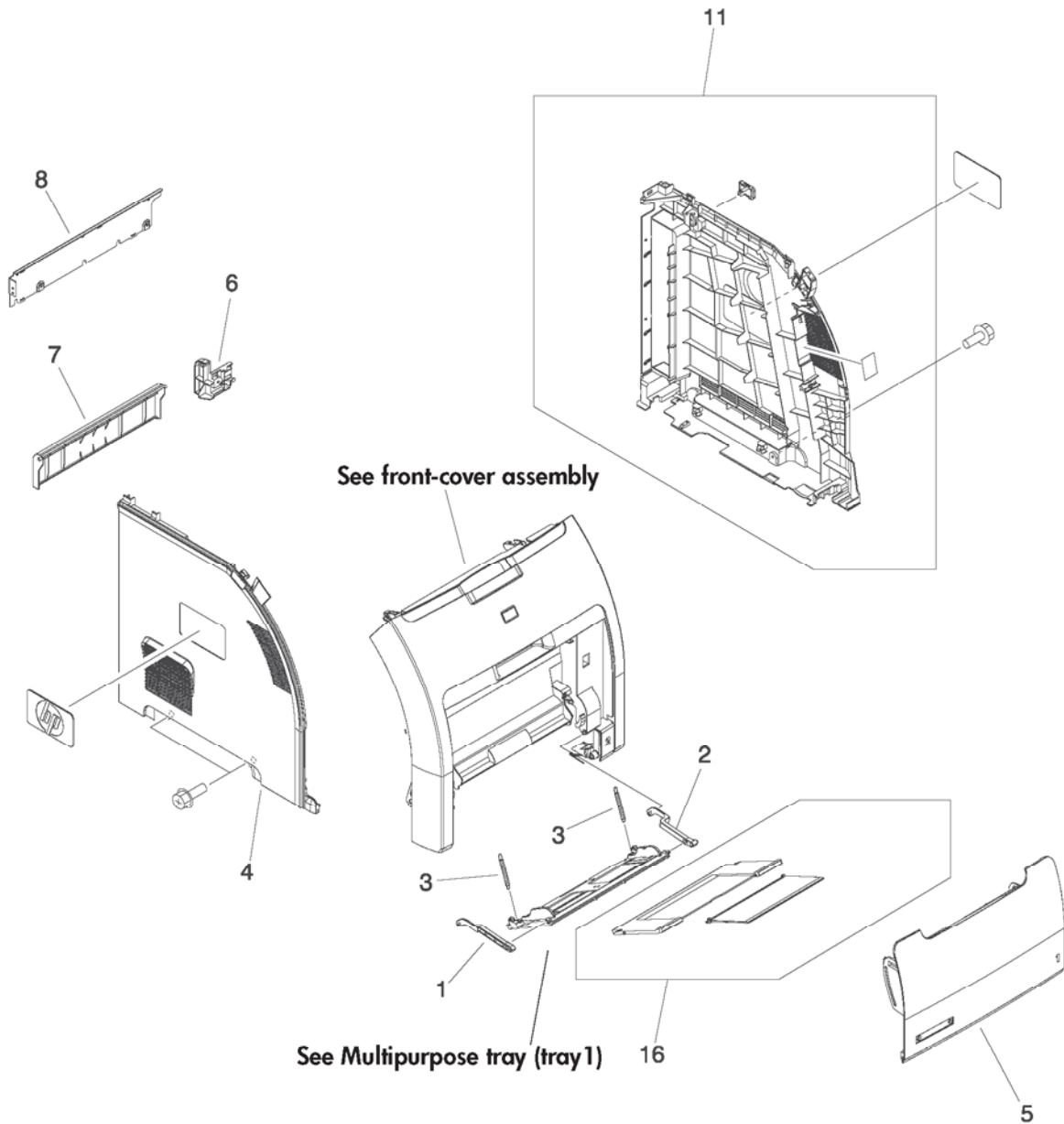


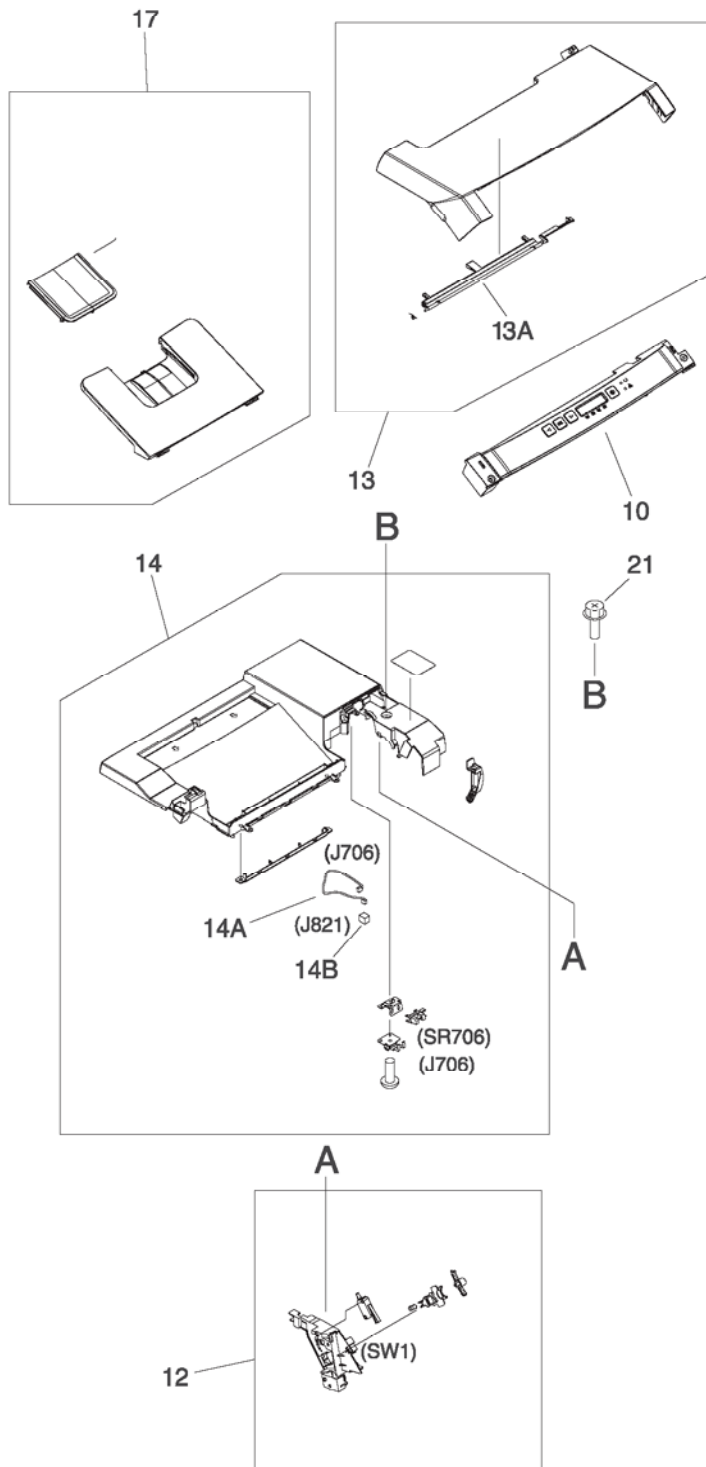
# External panels and covers



**Figure 7-1** External panels and covers (1 of 2)

**Table 7-2** External panels and covers (1 of 2)

<b>Ref</b>	<b>Description</b>	<b>Part number</b>	<b>Qty</b>
1	Link, multipurpose tray (tray 1) hinge left	RC1-6381-000CN	1
2	Link, multipurpose tray (tray 1) hinge right	RC1-6382-000CN	1
3	Spring, tension	RC1-6383-000CN	2
4	Cover, left	RC1-6687-000CN	1
5	Cover, multipurpose tray (tray 1)	RC1-6690-000CN	1
6	Cover, cassette rear right (hinge)	RC1-6691-000CN	1
7	Cover, cassette rear left	RC1-6792-000CN	1
8	Cover, rear lower	RC1-7550-000CN	1
11	Cover, right	RM1-2669-000CN	1
16	Multipurpose tray (tray 1) extension tray assembly	RM1-2710-000CN	1



**Figure 7-2** External panels and covers (2 of 2)

**Table 7-3** External panels, and covers (2 of 2)

<b>Ref</b>	<b>Description</b>	<b>Part number</b>	<b>Qty</b>
10	Control-panel assembly	RM1-3868-000CN	1
12	Interlock-switch assembly	RM1-2670-000CN	1
13	Upper cover assembly (fuser door)	RM1-2671-000CN	1
13A	Sensor, output bin	RC1-6286-000CN	1
14	Top-cover assembly	RM1-2672-000CN	1
14A	Cable, paper-full	RM1-2630-000CN	1
14B	Connector, snap-tight	VS1-7207-003CN	1
17	Face-down tray assembly	RM1-2777-000CN	1



**Table 7-4** Front-cover assembly

Ref	Description	Part number	Qty
All	Front-cover assembly	RM1-2673-000CN	1

# Internal components

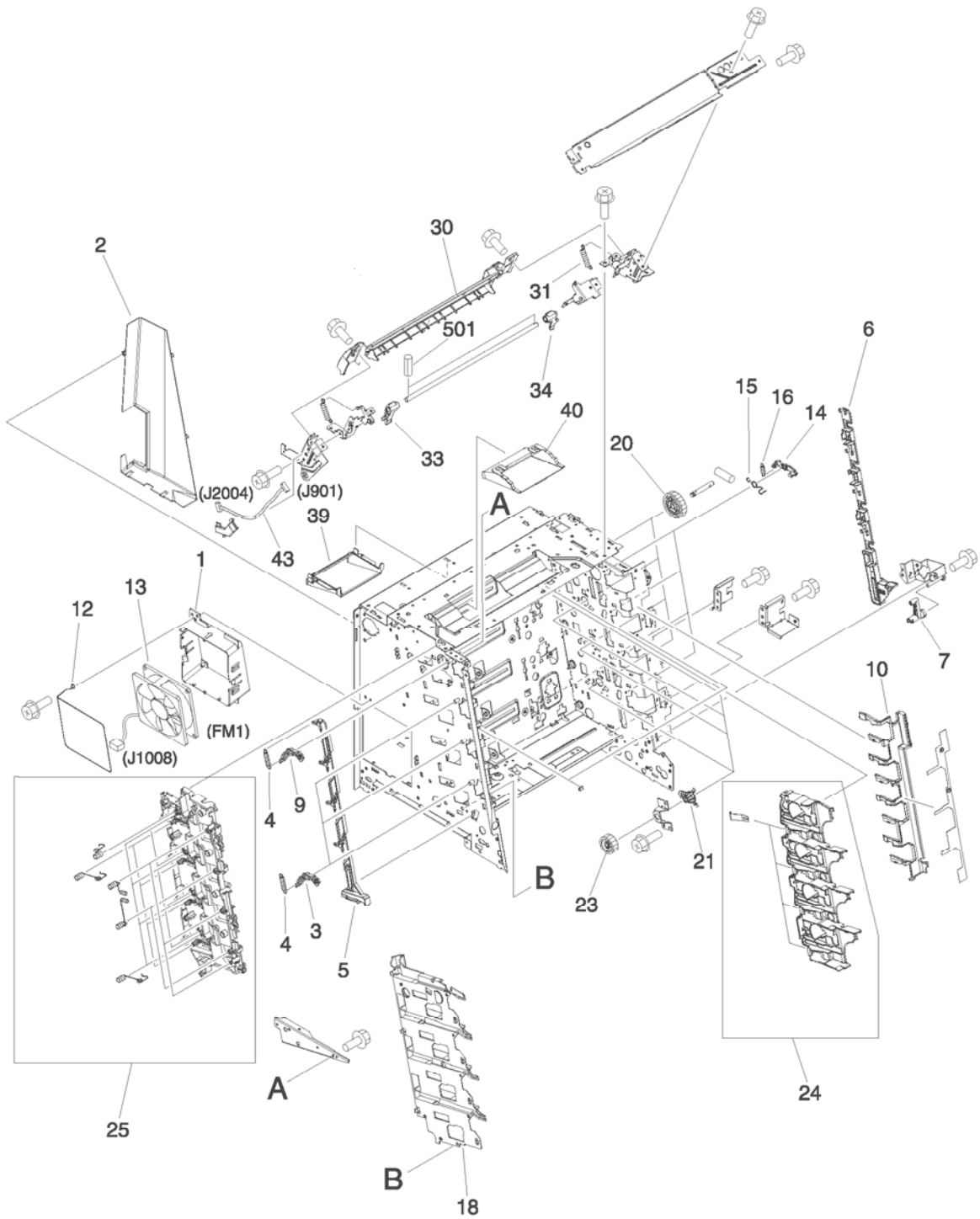


Figure 7-4 Internal components (1 of 5)

**Table 7-5** Internal components (1 of 5)

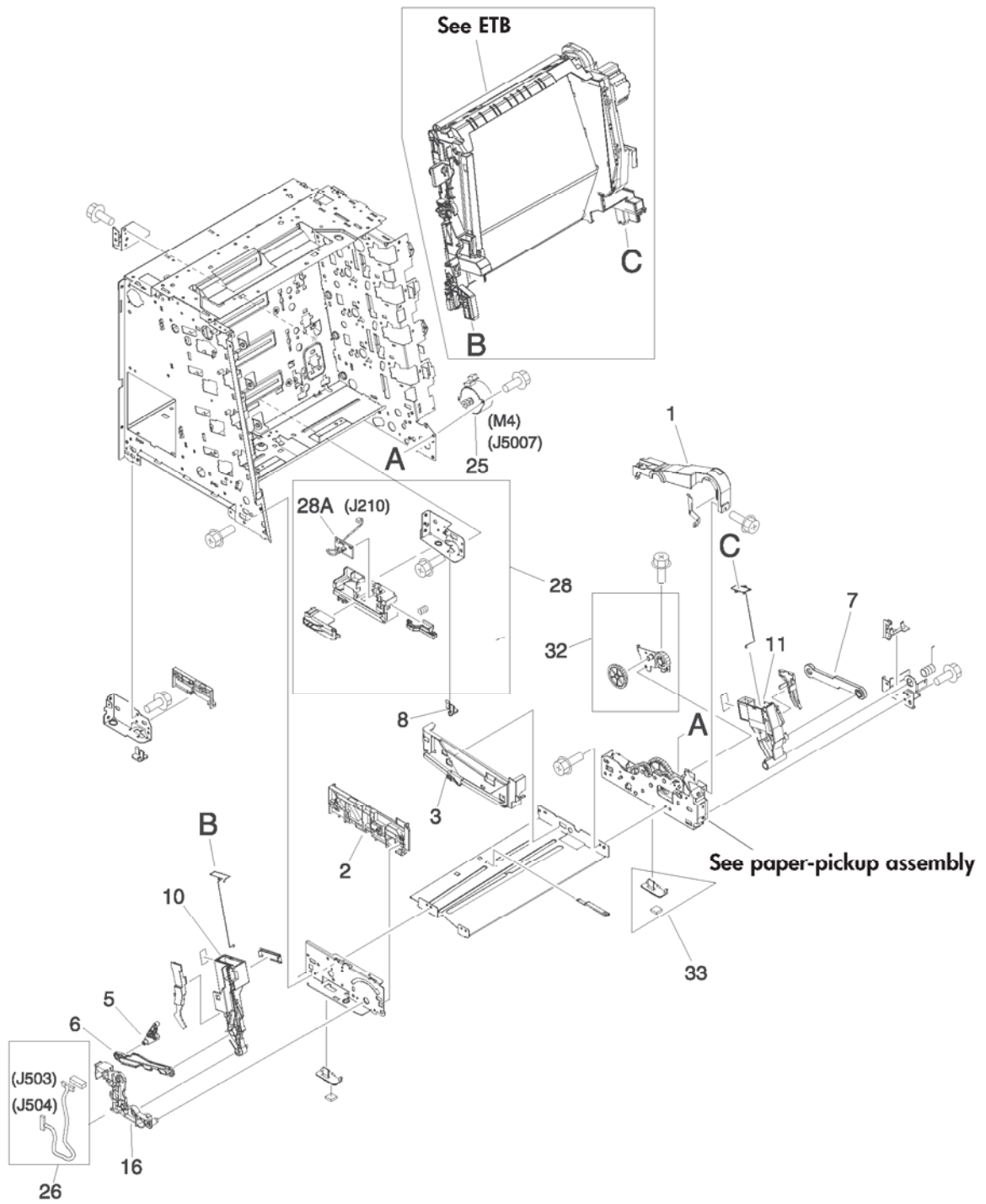
Ref	Description	Part number	Qty
1	Holder, fan	RC1-6631-000CN	1
2	Duct, fan	RC1-6632-000CN	1
3	Lever lock, left	RC1-6633-000CN	3
4	Spring, tension	RC1-6634-000CN	4
5	Lever, lock slide, left	RC1-6636-000CN	1
6	Lever, lock slide, right	RC1-6643-000CN	1
7	Cam, slide, right	RC1-6645-000CN	1
9	Lever, lock, left upper	RC1-7618-000CN	1
10	Cover, slide plate, right	RC1-6824-000CN	1
12	Spring, grounding	RC1-7583-000CN	1
13	Fan	RK2-0954-000CN	1
14	Cartridge lock kit (includes four locks and four springs)	Q5982-67921	1
16	Spring, tension	RC1-6677-000CN	4
18	Guide, cartridge, left	RC1-6629-000CN	1
20	Gear, 58T	RC1-6571-000CN	4
21	Bushing	RC1-6573-000CN	4
23	Gear, 29T	RC1-6575-000CN	4
24	Cartridge, guide, right assembly	RM1-2771-000CN	1
25	Contact-holder assembly	RM1-2683-000CN	1
30	Cover, guide crossmember	RC1-6795-000CN	1
31	Spring, tension	RC1-7552-000CN	2
33	Latch, left	RC1-7554-000CN	1
34	Latch, right	RC1-7555-000CN	1
39	Duct, 2	RC1-7547-000CN	1
40	Duct, 3	RC1-7548-000CN	1
43	Cable, panel	RM1-2596-000CN	1





**Table 7-6** Internal components (2 of 5)

Ref	Description	Part number	Qty
6	Cam, gear. 48T	RC1-6584-000CN	4
7	Gear, 41T	RC1-6589-000CN	2
8	Gear, 19T/30T	RC1-6593-000CN	1
9	Gear, 31T	RC1-6594-000CN	1
10	Gear, 17T/41T	RC1-6596-000CN	1
11	Flag, developing estrangement (developing separation)	RC1-6605-000CN	2
12	Cover, crossmember, upper	RC1-6668-000CN	1
13	Guide, cable, right 1	RC1-6682-000CN	1
14	Bushing	RC1-6823-000CN	4
15	Guide, cable, right 3	RC1-7544-000CN	1
16	Guide, cable, right 4	RC1-7545-000CN	1
17	Crossmember, drive side plate	RC1-7576-000CN	1
18	Cover, shutter, left	RC1-6651-000CN	4
19	Holder, toner cartridge	RC1-6771-000CN	4
20	Cable, scanner flat (long)	RK2-0971-000CN	1
21	Cable, scanner flat (short)	RK2-0967-000CN	1
23	Cable, scanner	RM1-2594-000CN	1
24	Drive-motor assembly, print-cartridge (Y, C, M cartridges only)	RM1-2689-000CN	1
25	Drive-motor assembly, print-cartridge (K cartridge only)	RM1-2773-000CN	1
26	Lever, sensing	RC1-7597-000CN	1
27	Spring, tension	RC1-7598-000CN	1
29	Cable, memory tag	RM1-2627-000CN	1



**Figure 7-6** Internal components (3 of 5)

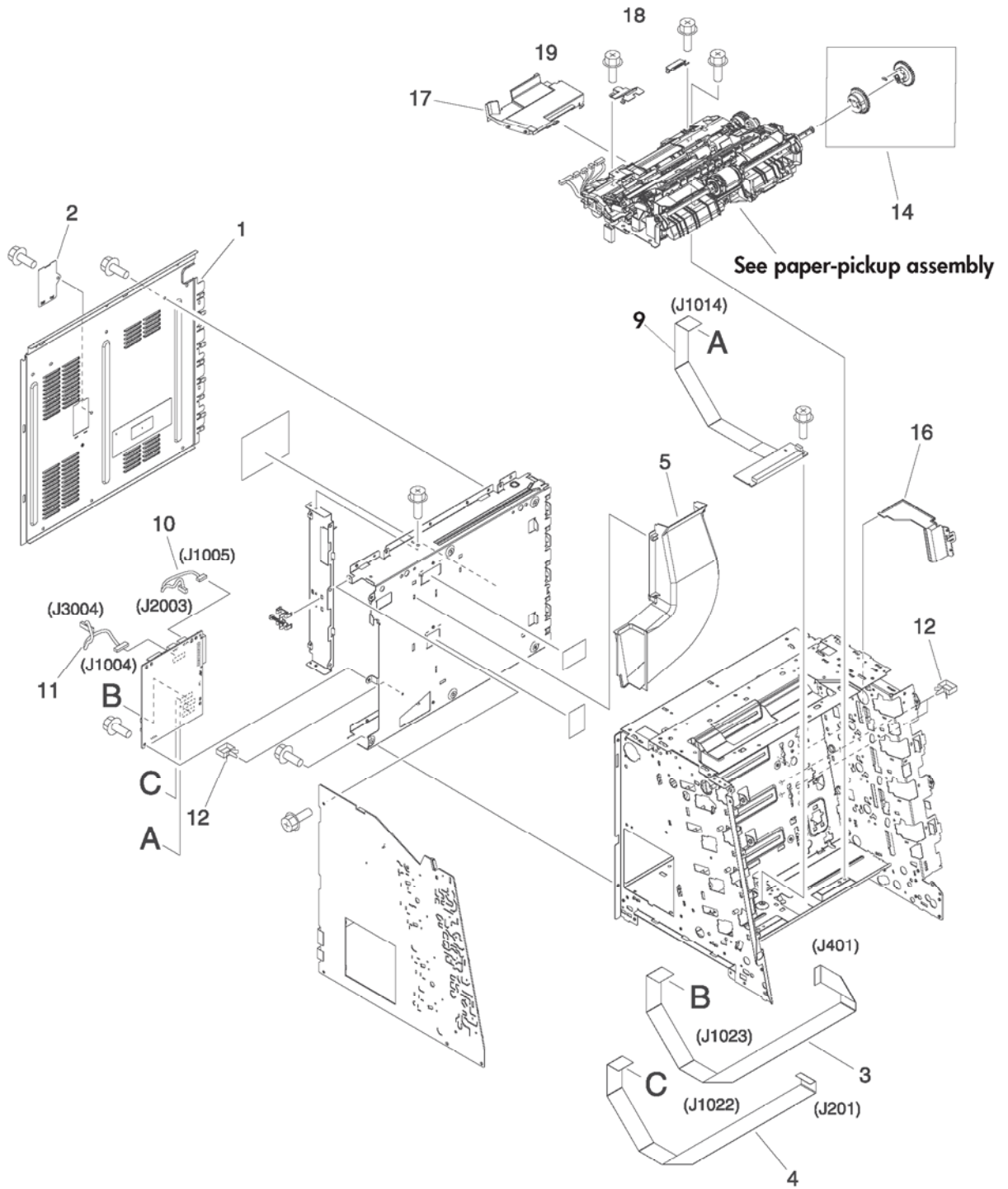
**Table 7-7** Internal components (3 of 5)

Ref	Description	Part number	Qty
1	Cover, gear	RC1-6405-000CN	1
2	Guide, cassette front, left	RC1-6499-000CN	1
3	Guide, cassette front, right	RC1-6502-000CN	1
5	Cam, slide, left	RC1-6638-000CN	1
6	Rod, link, left	RC1-6639-000CN	1
7	Rod, link, right	RC1-6646-000CN	1
8	Foot, rear	RC1-6650-000CN	2
10	Holder, ETB, left	RC1-6673-000CN	1
11	Holder, ETB, right	RC1-6674-000CN	1
16	Mount, hinge, left	RC1-6684-000CN	1
25	Motor, AC 24V, 9W	RK2-0939-000CN	1
26	Cable, sensor	RM1-2603-000CN	1
27	Plate lock release, tray 2	RC1-6833-000CN	1
28	Right-rear base assembly	RM1-2678-000CN	1
28A	Cassette sensor PCA	RM1-2576-000CN	1
32	Plate, gear 3	RL1-1069-000CN	1
33	Foot, rubber assembly, front	RL1-1067-000CN	2



**Table 7-8** Internal components (4 of 5)

Ref	Description	Part number	Qty
1	Holder, drawer connector	RC1-6652-000CN	1
2	Holder, drawer	RC1-6653-000CN	1
3	Guide, cable, left	RC1-6681-000CN	1
4	Arm, switch-link	RC1-6700-000CN	1
5	Guide, flexible flat cable 1	RC1-6772-000CN	1
6	Guide, flexible flat cable 2	RC1-6773-000CN	1
7	Guard, cable	RC1-6825-000CN	1
8	Bracket, left, rear	RC1-7551-000CN	1
9	Sensor, temperature	WP2-5214-000CN	1
12	Cable, environment sensor	RM1-2595-000CN	1
13	Cable, ETB	RM1-2608-000CN	1
14	Cable, drum motor	RM1-2610-000Cn	1
15	Cable, solenoid	RM1-2611-000CN	1
16	Cable, cassette	RM1-2613-000CN	1
17	Cable, drum motor	RM1-2629-000CN	1
18	Cable, paper-full	RM1-2628-000CN	1
21	Fuser cable assembly	RM1-2597-000CN	1
23	Cable, drive power	RM1-2605-000CN	1
24	Scanner assembly	RM1-2952-000CN	1



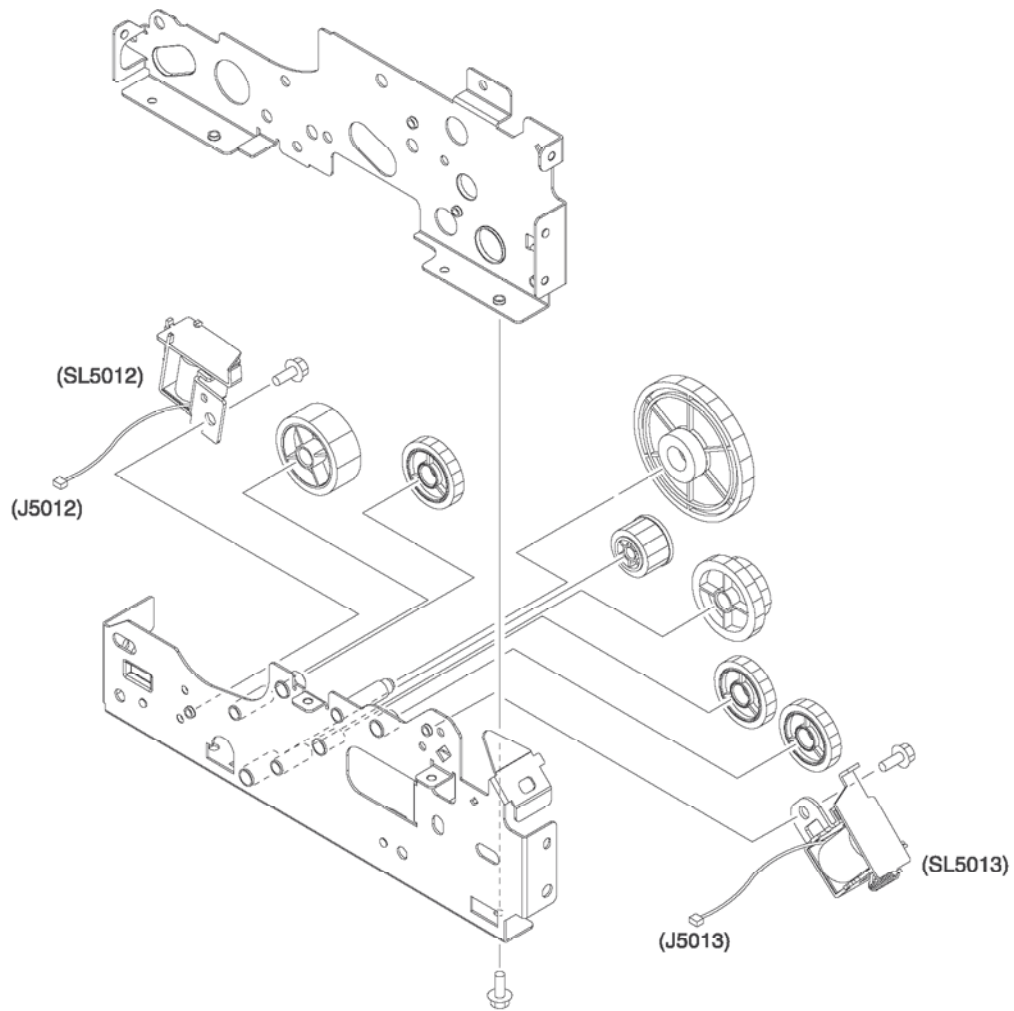
**Figure 7-8** Internal components (5 of 5)

**Table 7-9** Internal components (5 of 5)

Ref	Description	Part number	Qty
1	Cover, rear	RC1-6627-000CN	1
2	Cover	RC1-7577-000CN	1
3	Cable, drive flat 1	RK2-0969-000CN	1
4	Cable, drive flat 2	RK2-0970-000CN	1
5	Duct 1	RC1-7546-000CN	1
9	Relay, PCA	RM1-2582-000CN	1
10	Cable, panel connecting	RM1-2587-000CN	1
11	Cable, power control	RM1-2592-000CN	1
12	Cable, clamp	WT2-5944-000CN	2
14	Multipurpose tray paper-pickup gear assembly	RM1-2704-000CN	1
16	Shield, PCA	RC1-7599-000CN	1
17	Cover, connector	RC1-6607-000CN	1
18	Cover, paper sensor	RC1-6611-000CN	1
19	Cover, registration sensor	RC1-6612-000CN	1



## Paper-pickup drive assembly

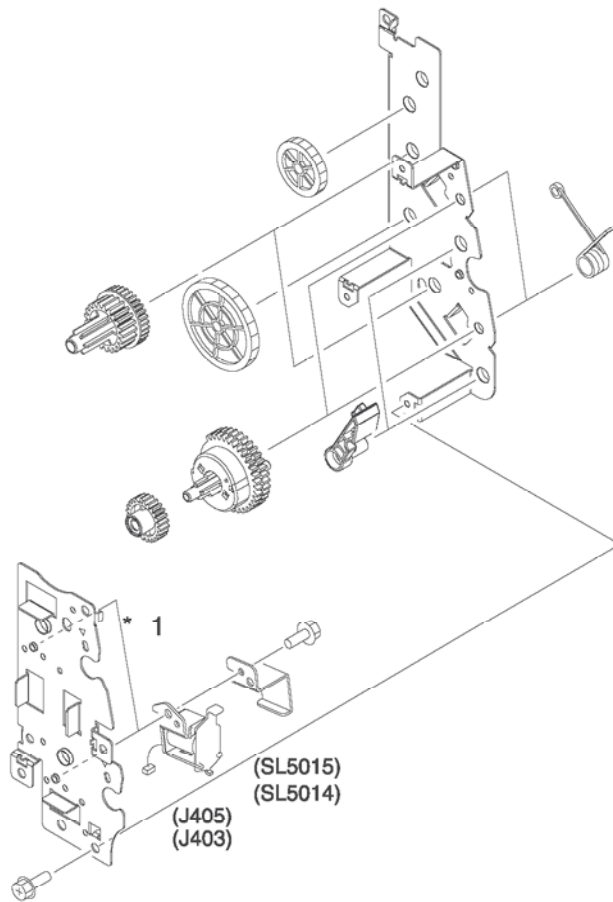


**Figure 7-9** Paper-pickup drive assembly

**Table 7-10** Paper-pickup drive assembly

Ref	Description	Part number	Qty
All	Paper-pickup drive assembly	RM1-2679-000CN	1

## Developing separation-drive assembly



**Figure 7-10** Developing separation-drive assembly

**Table 7-11** Developing separation-drive assembly

Ref	Description	Part number	Qty
All	Developing separation (estrangement) drive assembly	RM1-2687-000CN	1

# Fuser drive assembly

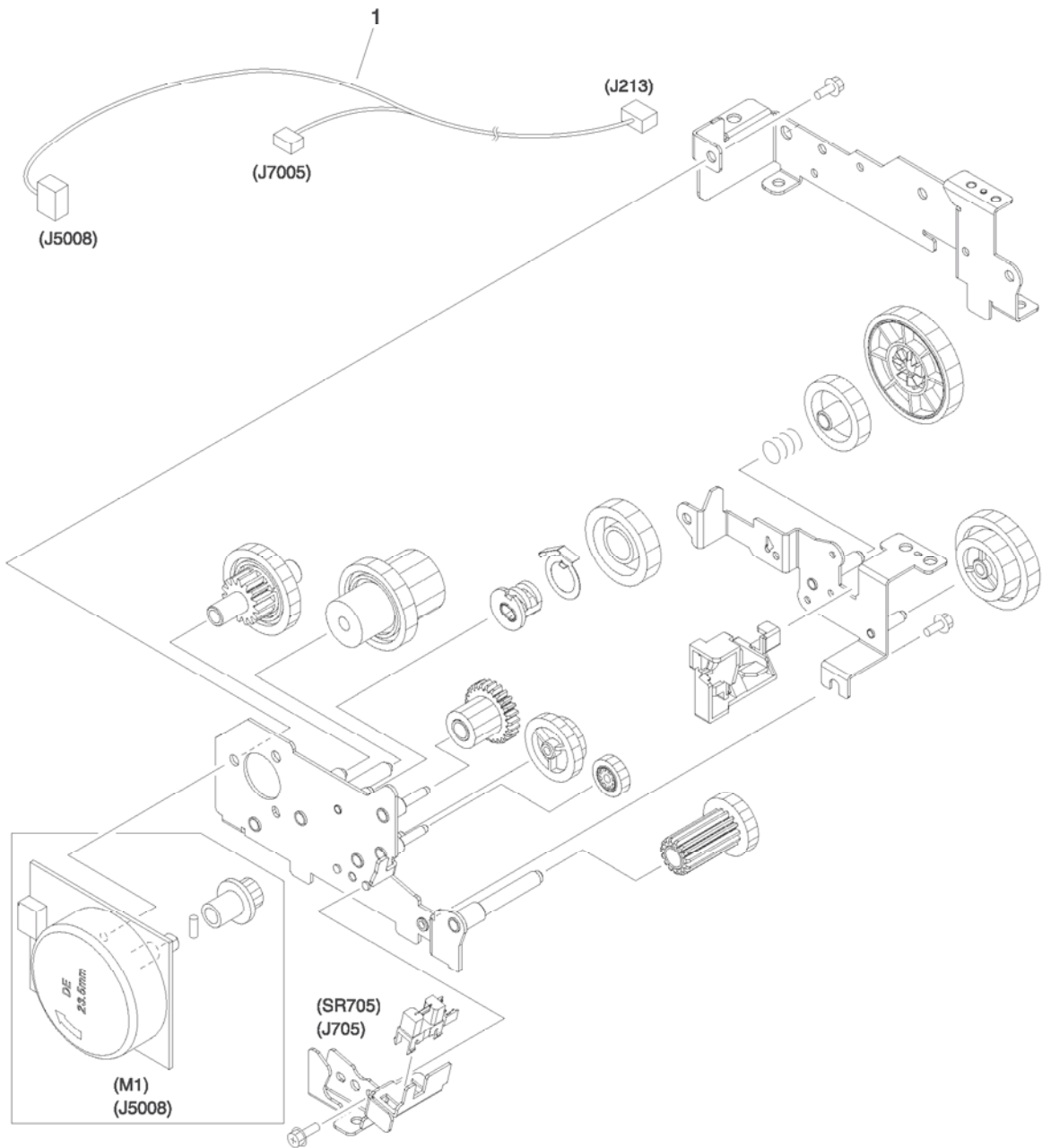


Figure 7-11 Fuser drive assembly

**Table 7-12** Fuser drive assembly

<b>Ref</b>	<b>Description</b>	<b>Part number</b>	<b>Qty</b>
All	Fuser drive assembly	RM1-2668-000CN	1
1	Cable, fuser drive	RM1-2619-000CN	1

## Cassette (tray 2)

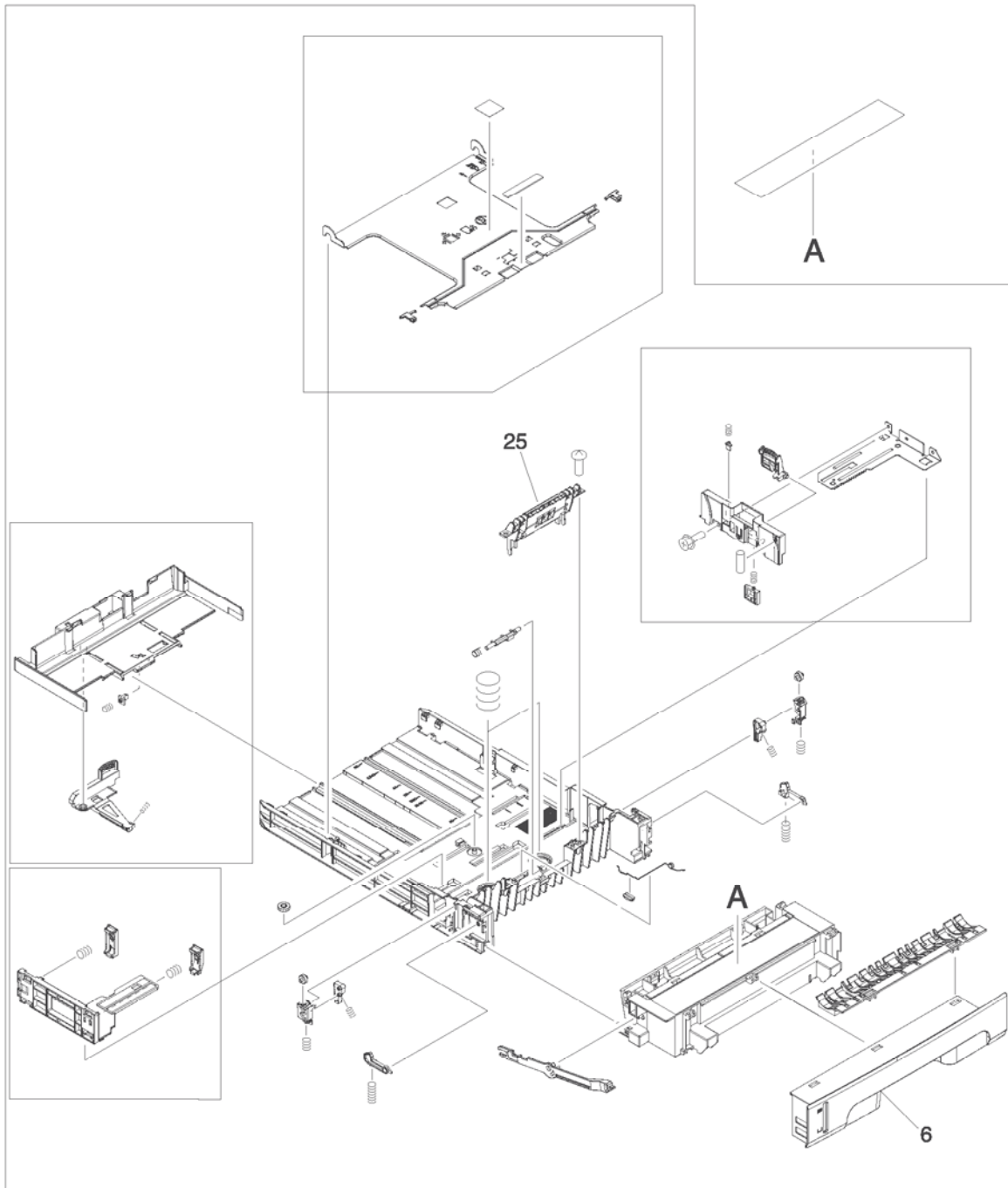


Figure 7-12 Cassette (tray 2)

**Table 7-13** Cassette (tray 2)

<b>Ref</b>	<b>Description</b>	<b>Part number</b>	<b>Qty</b>
All	Cassette, 250-sheet	RM1-2705-000CN	1
6	Cover, cassette, front	RC1-6491-000CN	1
25	Separation-pad assembly	RM1-2709-000CN	1

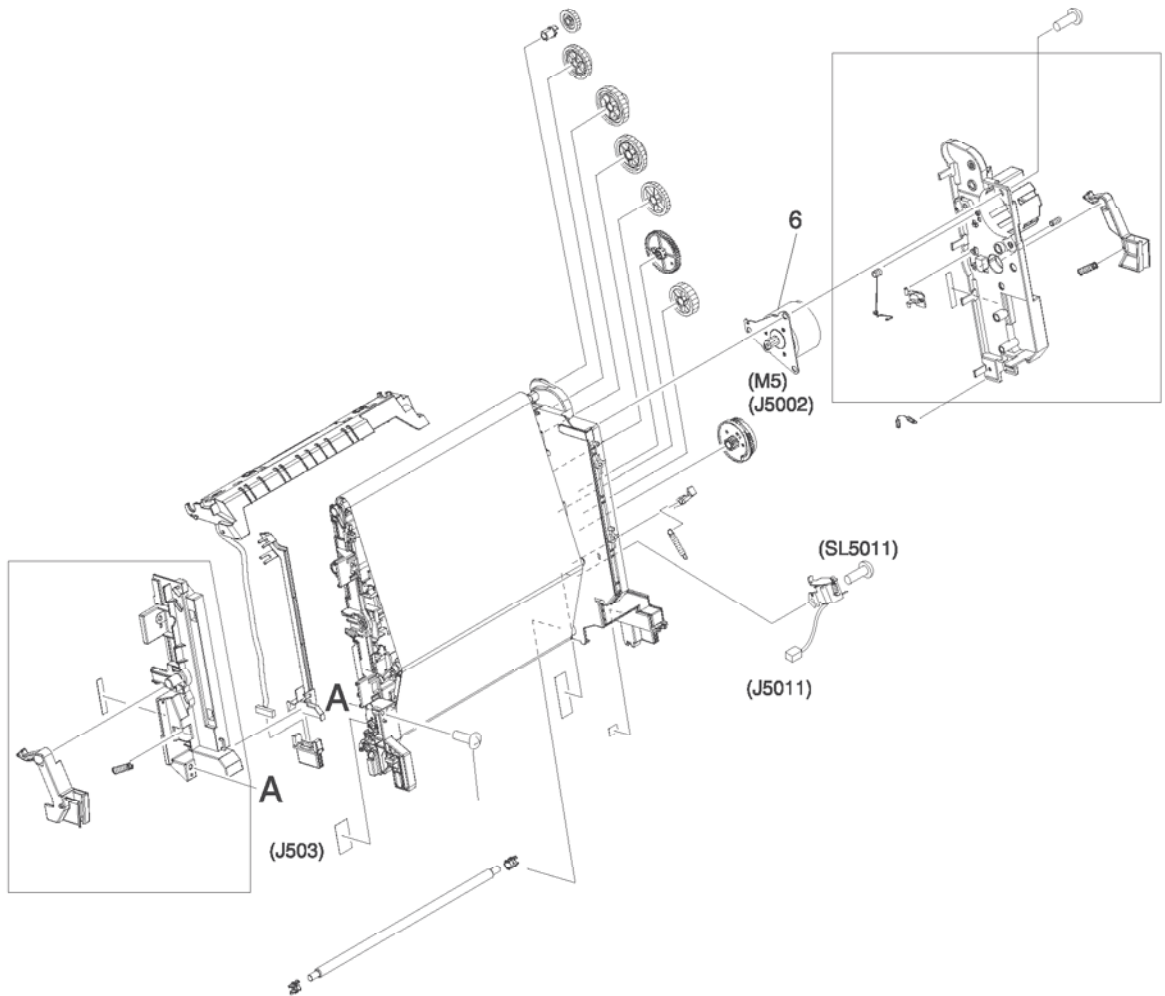




**Table 7-14** Paper-pickup assembly

<b>Ref</b>	<b>Description</b>	<b>Part number</b>	<b>Qty</b>
All	Paper-pickup assembly	RM1-2774-000CN	1
7	Spring, tension	RC1-6516-000CN	2
8	Bushing	RC1-6517-000CN	1
9	Bushing	RC1-6519-000CN	1
10	Clutch, mechanical	RM1-2699-000CN	1
11	Spring, compression	RC1-6520-000CN	1
12	Gear, 18T	RC1-6521-000CN	1
18	Preregistration-guide assembly	RM1-2775-000CN	1
20	Pad, separation (tray 1)	RC1-2699-000CN	1
24	Case, media sensor	RC1-6394-000CN	1
25	Block, multipurpose path	RC1-7959-000CN	1

# Electrostatic transfer belt

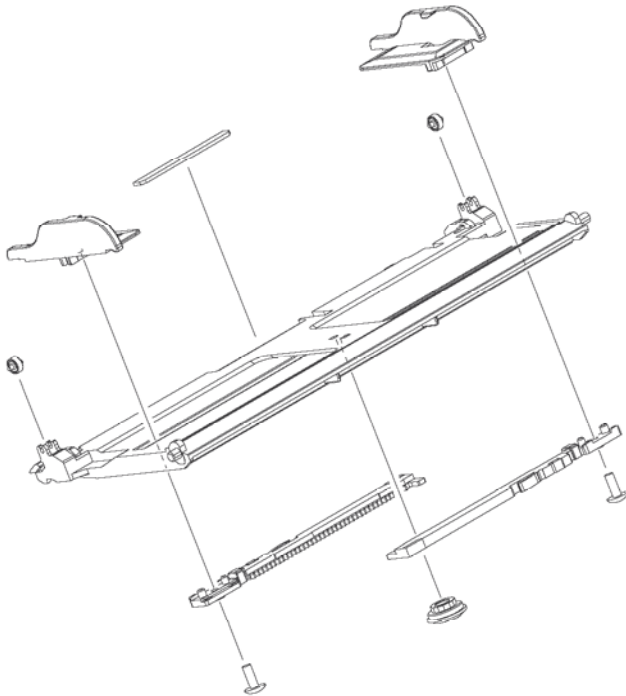


**Figure 7-14** Electrostatic transfer belt

**Table 7-15** Electrostatic transfer belt

<b>Ref</b>	<b>Description</b>	<b>Part number</b>	<b>Qty</b>
All	Electrostatic transfer belt	RM1-2759-040CN	1
6	Motor, DC (ETB)	RK2-0937-000CN	1

## Multipurpose tray assembly (tray 1)



**Figure 7-15** Multipurpose tray assembly (tray 1)

**Table 7-16** Multipurpose tray assembly (tray 1)

Ref	Description	Part number	Qty
All	Multipurpose tray assembly (tray 1)	RM1-2711-000CN	1

# Fuser

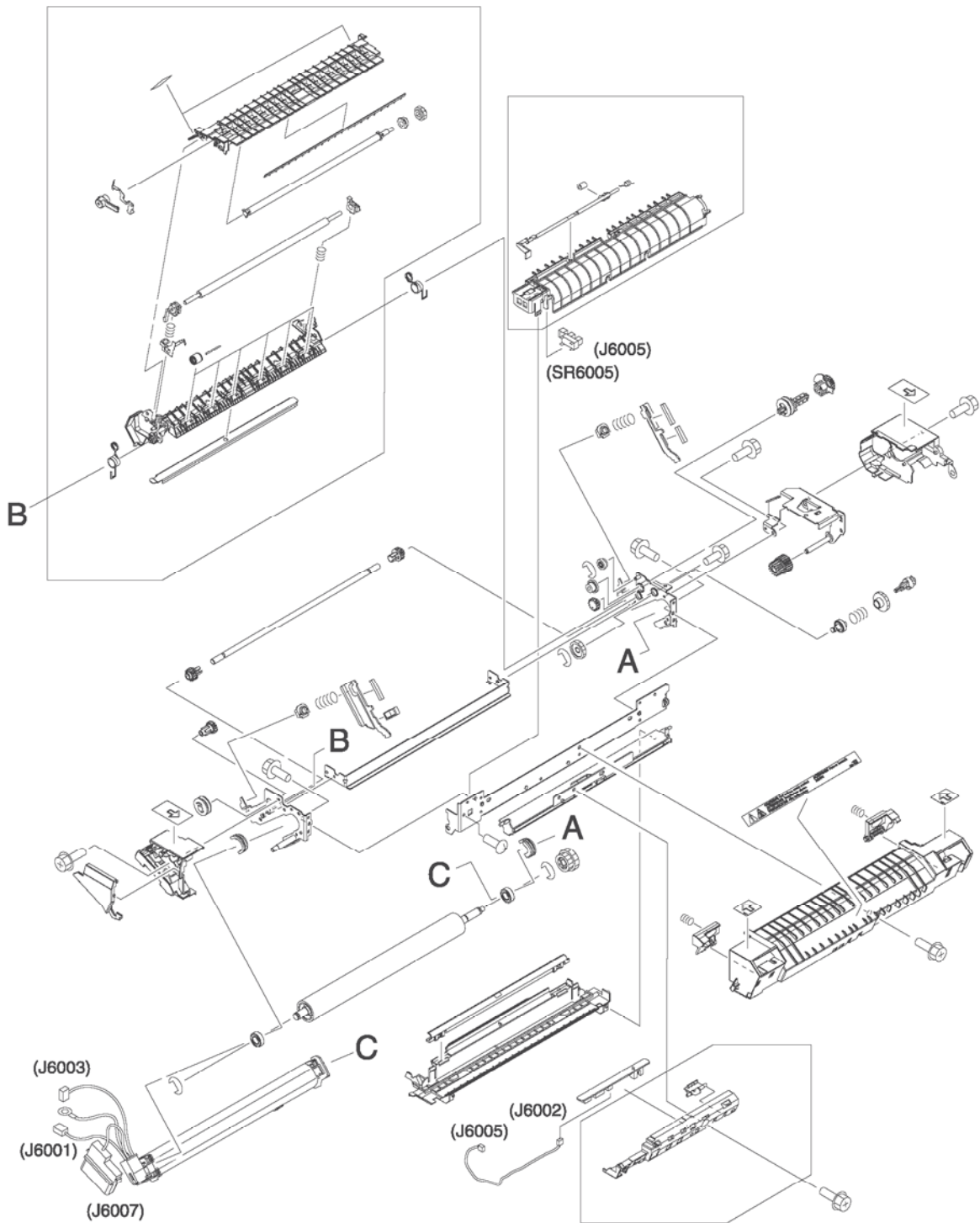


Figure 7-16 Fuser

**Table 7-17** Fuser

<b>Ref</b>	<b>Description</b>	<b>Part number</b>	<b>Qty</b>
All	Fuser assembly 110V-127V	RM1-2665-000CN	1
All	Fuser assembly 220V-240V	RM1-2743-000CN	1



# PCAs

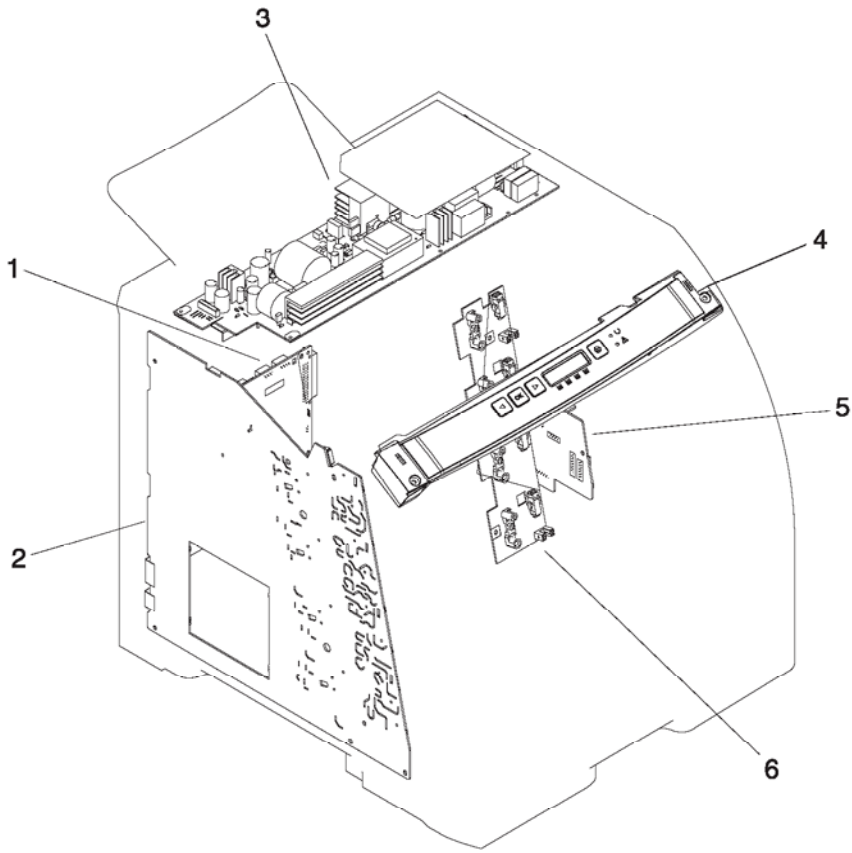


Figure 7-17 PCAs

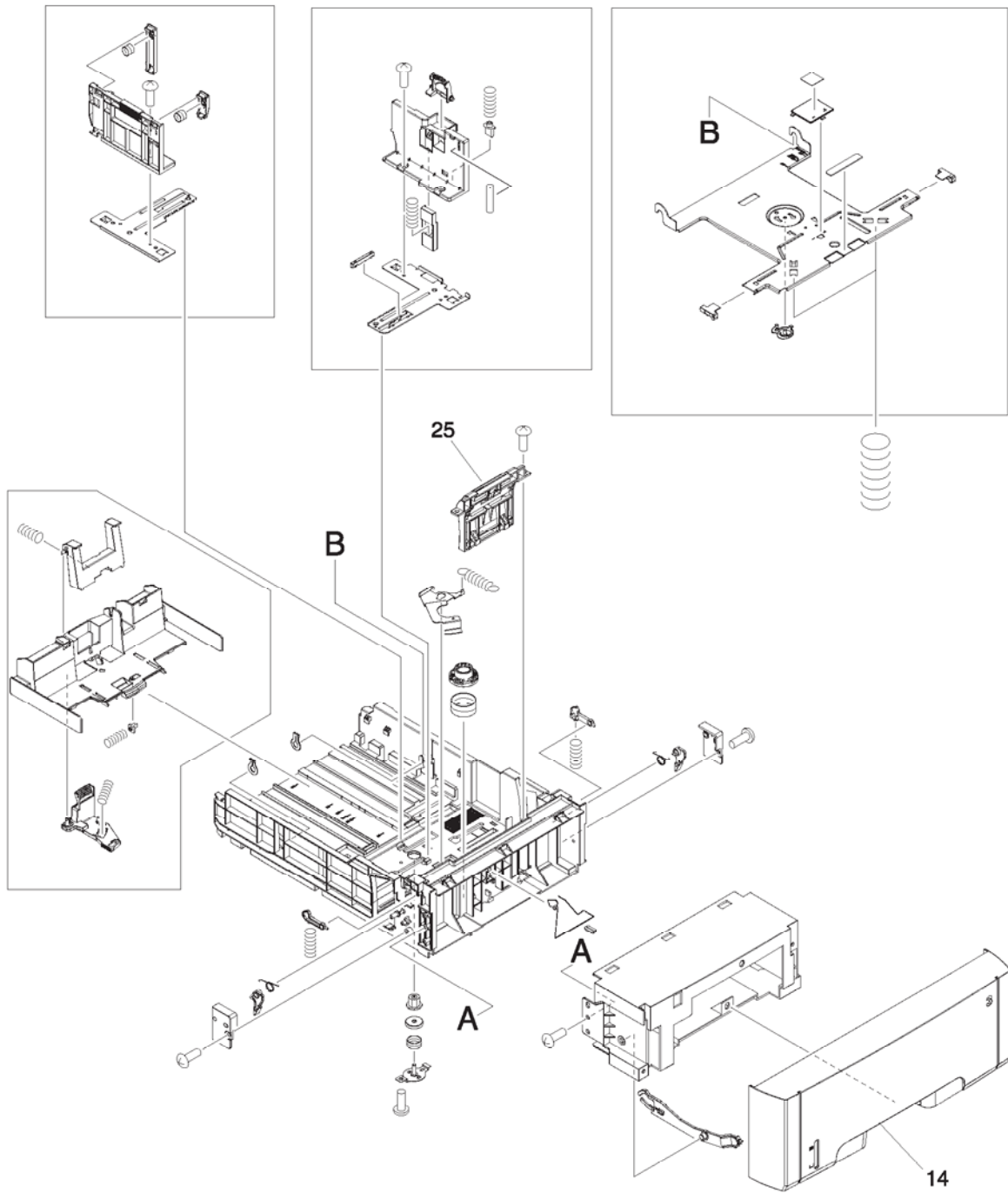
**Table 7-18** PCAs

Ref	Description	Part number	Qty
1	DC controller PCA assembly	RM1-2600-000CN	1
2	High-voltage PCA assembly	RM1-2578-000CN	1
3	Low-voltage power PCA assembly (110V-127V)	RM1-4377-000CN	1
3	Low-voltage power PCA assembly (220V-240V)	RM1-4378-000CN	1
4	Control panel-assembly	RM1-3868-000CN	1
5	Driver PCA	RM1-2581-000CN	1
6	Cartridge-sensor PCA	RM1-2585-000CN	1
	Formatter, base, new	Q7824-67901	1
	Formatter, network, new	Q7825-67901	1
	Formatter, base, exchange	Q7824-69001	1
	Formatter, network, exchange	Q7825-69001	
	Discharge tool, low-voltage power-supply	RK2-1007-01	1



**NOTE** This illustration does not show the relay PCA. See callout 9 in [Figure 7-8 Internal components \(5 of 5\) on page 256](#).

## 500-sheet feeder cassette (tray 3)

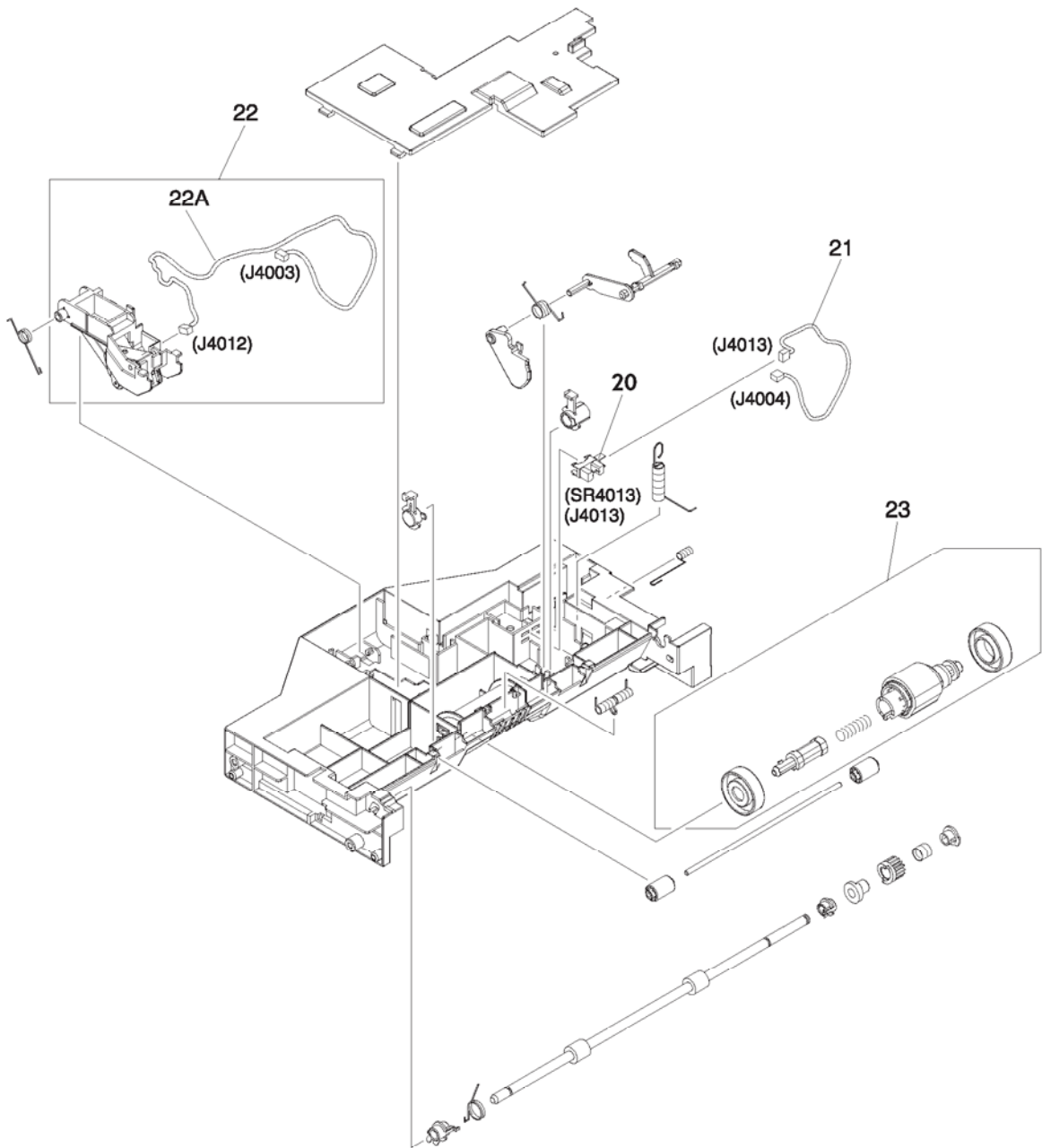


**Figure 7-18** 500-sheet feeder cassette (tray 3)

**Table 7-19** 500-sheet feeder cassette (tray 3)

<b>Ref</b>	<b>Description</b>	<b>Part number</b>	<b>Qty</b>
	500-sheet feeder and cassette	Q5985-67901	1
All	500-sheet cassette (only), tray 3	RM1-2732-000CN	1
14	Cover, 500-sheet cassette	RC1-6945-000CN	1
25	Separation-pad-holder assembly (500-sheet feeder)	RM1-2735-000CN	

# 500-sheet feeder paper-pickup assembly

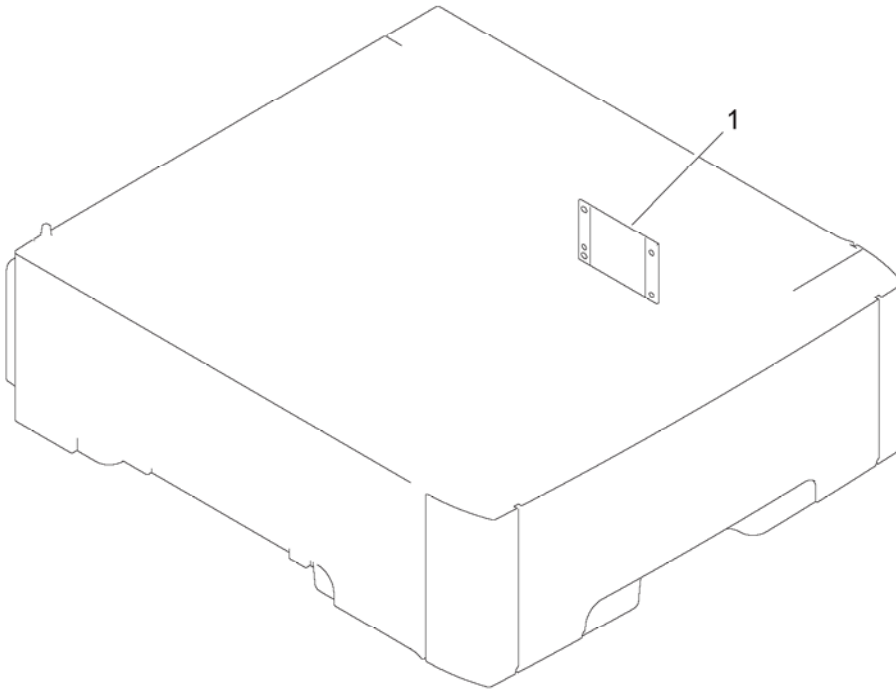


**Figure 7-19** 500-sheet feeder paper-pickup assembly

**Table 7-20** 500-sheet feeder paper-pickup assembly

<b>Ref</b>	<b>Description</b>	<b>Part number</b>	<b>Qty</b>
All	500-sheet feeder paper-pickup assembly	RM1-2725-000CN	1
20	Photointerruptor	WG8-5696-000CN	1
21	Cable, option sensor	RM1-2625-000CN	1
22	Sensor, media assembly	RM1-2757-000CN	1
22A	Cable, option media sensor (500-sheet feeder)	RM1-2624-000CN	1
23	Paper-pickup-roller assembly (500-sheet feeder)	RM1-2727-000CN	1

## 500-sheet feeder PCA



**Figure 7-20** 500-sheet feeder PCA

**Table 7-21** 500-sheet feeder PCA

Ref	Description	Part number	Qty
1	PCA assembly (500-sheet feeder)	RM1-2583-000CN	1



## Alphabetical parts list

Table 7-22 Alphabetical parts list

Description	Part number	Table and page
500-sheet feeder paper-pickup assembly	RM1-2725-000CN	<a href="#">500-sheet feeder paper-pickup assembly on page 279</a>
500-sheet cassette (only), tray 3	RM1-2732-000CN	<a href="#">500-sheet feeder cassette (tray 3) on page 277</a>
500-sheet feeder and cassette	Q5985-67901	<a href="#">500-sheet feeder cassette (tray 3) on page 277</a>
Arm, switch-link	RC1-6700-000CN	<a href="#">Internal components (4 of 5) on page 255</a>
Block, multipurpose path	RC1-7959-000CN	<a href="#">Paper-pickup assembly on page 267</a>
Bracket, left, rear	RC1-7551-000CN	<a href="#">Internal components (4 of 5) on page 255</a>
Bushing	RC1-6573-000CN	<a href="#">Internal components (1 of 5) on page 249</a>
Bushing	RC1-6823-000CN	<a href="#">Internal components (2 of 5) on page 251</a>
Bushing	RC1-6517-000CN	<a href="#">Paper-pickup assembly on page 267</a>
Bushing	RC1-6519-000CN	<a href="#">Paper-pickup assembly on page 267</a>
Cable, cassette	RM1-2613-000CN	<a href="#">Internal components (4 of 5) on page 255</a>
Cable, clamp	WT2-5944-000CN	<a href="#">Internal components (5 of 5) on page 257</a>
Cable, drive flat 1	RK2-0969-000CN	<a href="#">Internal components (5 of 5) on page 257</a>
Cable, drive flat 2	RK2-0970-000CN	<a href="#">Internal components (5 of 5) on page 257</a>
Cable, drive power	RM1-2605-000CN	<a href="#">Internal components (4 of 5) on page 255</a>
Cable, drum motor	RM1-2610-000Cn	<a href="#">Internal components (4 of 5) on page 255</a>
Cable, drum motor	RM1-2629-000CN	<a href="#">Internal components (4 of 5) on page 255</a>
Cable, environment sensor	RM1-2595-000CN	<a href="#">Internal components (4 of 5) on page 255</a>
Cable, ETB	RM1-2608-000CN	<a href="#">Internal components (4 of 5) on page 255</a>
Cable, fuser drive	RM1-2619-000CN	<a href="#">Fuser drive assembly on page 263</a>

**Table 7-22** Alphabetical parts list (continued)

Description	Part number	Table and page
Cable, memory tag	RM1-2627-000CN	<a href="#">Internal components (2 of 5) on page 251</a>
Cable, option media sensor (500-sheet feeder)	RM1-2624-000CN	<a href="#">500-sheet feeder paper-pickup assembly on page 279</a>
Cable, option sensor	RM1-2625-000CN	<a href="#">500-sheet feeder paper-pickup assembly on page 279</a>
Cable, panel	RM1-2596-000CN	<a href="#">Internal components (1 of 5) on page 249</a>
Cable, panel connecting	RM1-2587-000CN	<a href="#">Internal components (5 of 5) on page 257</a>
Cable, paper-full	RM1-2630-000CN	<a href="#">External panels, and covers (2 of 2) on page 245</a>
Cable, paper-full	RM1-2628-000CN	<a href="#">Internal components (4 of 5) on page 255</a>
Cable, power control	RM1-2592-000CN	<a href="#">Internal components (5 of 5) on page 257</a>
Cable, scanner	RM1-2594-000CN	<a href="#">Internal components (2 of 5) on page 251</a>
Cable, scanner flat (long)	RK2-0971-000CN	<a href="#">Internal components (2 of 5) on page 251</a>
Cable, scanner flat (short)	RK2-0967-000CN	<a href="#">Internal components (2 of 5) on page 251</a>
Cable, sensor	RM1-2603-000CN	<a href="#">Internal components (3 of 5) on page 253</a>
Cable, solenoid	RM1-2611-000CN	<a href="#">Internal components (4 of 5) on page 255</a>
Cam, gear. 48T	RC1-6584-000CN	<a href="#">Internal components (2 of 5) on page 251</a>
Cam, slide, left	RC1-6638-000CN	<a href="#">Internal components (3 of 5) on page 253</a>
Cam, slide, right	RC1-6645-000CN	<a href="#">Internal components (1 of 5) on page 249</a>
Cartridge lock kit (includes four locks and four springs)	Q5982-67921	<a href="#">Internal components (1 of 5) on page 249</a>
Cartridge, guide, right assembly	RM1-2771-000CN	<a href="#">Internal components (1 of 5) on page 249</a>
Cartridge-sensor PCA	RM1-2585-000CN	<a href="#">PCAs on page 275</a>
Case, media sensor	RC1-6394-000CN	<a href="#">Paper-pickup assembly on page 267</a>
Cassette sensor PCA	RM1-2576-000CN	<a href="#">Internal components (3 of 5) on page 253</a>
Cassette, 250-sheet	RM1-2705-000CN	<a href="#">Cassette (tray 2) on page 265</a>
Clutch, mechanical	RM1-2699-000CN	<a href="#">Paper-pickup assembly on page 267</a>

**Table 7-22** Alphabetical parts list (continued)

Description	Part number	Table and page
Connector, snap-tight	VS1-7207-003CN	<a href="#">External panels, and covers (2 of 2) on page 245</a>
Contact-holder assembly	RM1-2683-000CN	<a href="#">Internal components (1 of 5) on page 249</a>
Control panel-assembly	RM1-3868-000CN	<a href="#">PCAs on page 275</a>
Control-panel assembly	RM1-3868-000CN	<a href="#">External panels, and covers (2 of 2) on page 245</a>
Cover	RC1-7577-000CN	<a href="#">Internal components (5 of 5) on page 257</a>
Cover, 500-sheet cassette	RC1-6945-000CN	<a href="#">500-sheet feeder cassette (tray 3) on page 277</a>
Cover, cassette rear left	RC1-6792-000CN	<a href="#">External panels and covers (1 of 2) on page 243</a>
Cover, cassette rear right (hinge)	RC1-6691-000CN	<a href="#">External panels and covers (1 of 2) on page 243</a>
Cover, cassette, front	RC1-6491-000CN	<a href="#">Cassette (tray 2) on page 265</a>
Cover, connector	RC1-6607-000CN	<a href="#">Internal components (5 of 5) on page 257</a>
Cover, crossmember, upper	RC1-6668-000CN	<a href="#">Internal components (2 of 5) on page 251</a>
Cover, gear	RC1-6405-000CN	<a href="#">Internal components (3 of 5) on page 253</a>
Cover, guide crossmember	RC1-6795-000CN	<a href="#">Internal components (1 of 5) on page 249</a>
Cover, left	RC1-6687-000CN	<a href="#">External panels and covers (1 of 2) on page 243</a>
Cover, multipurpose tray (tray 1)	RC1-6690-000CN	<a href="#">External panels and covers (1 of 2) on page 243</a>
Cover, paper sensor	RC1-6611-000CN	<a href="#">Internal components (5 of 5) on page 257</a>
Cover, rear	RC1-6627-000CN	<a href="#">Internal components (5 of 5) on page 257</a>
Cover, rear lower	RC1-7550-000CN	<a href="#">External panels and covers (1 of 2) on page 243</a>
Cover, registration sensor	RC1-6612-000CN	<a href="#">Internal components (5 of 5) on page 257</a>
Cover, right	RM1-2669-000CN	<a href="#">External panels and covers (1 of 2) on page 243</a>
Cover, shutter, left	RC1-6651-000CN	<a href="#">Internal components (2 of 5) on page 251</a>
Cover, slide plate, right	RC1-6824-000CN	<a href="#">Internal components (1 of 5) on page 249</a>
Crossmember, drive side plate	RC1-7576-000CN	<a href="#">Internal components (2 of 5) on page 251</a>

**Table 7-22** Alphabetical parts list (continued)

Description	Part number	Table and page
DC controller PCA assembly	RM1-2600-000CN	<a href="#">PCAs on page 275</a>
Developing separation (estrangement) drive assembly	RM1-2687-000CN	<a href="#">Developing separation-drive assembly on page 261</a>
Discharge tool, low-voltage power-supply	RK2-1007-01	<a href="#">PCAs on page 275</a>
Drive-motor assembly, print-cartridge (K cartridge only)	RM1-2773-000CN	<a href="#">Internal components (2 of 5) on page 251</a>
Drive-motor assembly, print-cartridge (Y, C, M cartridges only)	RM1-2689-000CN	<a href="#">Internal components (2 of 5) on page 251</a>
Driver PCA	RM1-2581-000CN	<a href="#">PCAs on page 275</a>
Duct 1	RC1-7546-000CN	<a href="#">Internal components (5 of 5) on page 257</a>
Duct, 2	RC1-7547-000CN	<a href="#">Internal components (1 of 5) on page 249</a>
Duct, 3	RC1-7548-000CN	<a href="#">Internal components (1 of 5) on page 249</a>
Duct, fan	RC1-6632-000CN	<a href="#">Internal components (1 of 5) on page 249</a>
Electrostatic transfer belt	RM1-2759-040CN	<a href="#">Electrostatic transfer belt on page 269</a>
Face-down tray assembly	RM1-2777-000CN	<a href="#">External panels, and covers (2 of 2) on page 245</a>
Fan	RK2-0954-000CN	<a href="#">Internal components (1 of 5) on page 249</a>
Flag, developing estrangement (developing separation)	RC1-6605-000CN	<a href="#">Internal components (2 of 5) on page 251</a>
Foot, rear	RC1-6650-000CN	<a href="#">Internal components (3 of 5) on page 253</a>
Foot, rubber assembly, front	RL1-1067-000CN	<a href="#">Internal components (3 of 5) on page 253</a>
Formatter, base, exchange	Q7824-69001	<a href="#">PCAs on page 275</a>
Formatter, base, new	Q7824-67901	<a href="#">PCAs on page 275</a>
Formatter, network, exchange	Q7825-69001	<a href="#">PCAs on page 275</a>
Formatter, network, new	Q7825-67901	<a href="#">PCAs on page 275</a>
Front-cover assembly	RM1-2673-000CN	<a href="#">Front-cover assembly on page 247</a>
Fuser assembly 110V-127V	RM1-2665-000CN	<a href="#">Fuser on page 273</a>
Fuser assembly 220V-240V	RM1-2743-000CN	<a href="#">Fuser on page 273</a>
Fuser cable assembly	RM1-2597-000CN	<a href="#">Internal components (4 of 5) on page 255</a>
Fuser drive assembly	RM1-2668-000CN	<a href="#">Fuser drive assembly on page 263</a>

**Table 7-22** Alphabetical parts list (continued)

Description	Part number	Table and page
Gear, 17T/41T	RC1-6596-000CN	<a href="#">Internal components (2 of 5) on page 251</a>
Gear, 18T	RC1-6521-000CN	<a href="#">Paper-pickup assembly on page 267</a>
Gear, 19T/30T	RC1-6593-000CN	<a href="#">Internal components (2 of 5) on page 251</a>
Gear, 29T	RC1-6575-000CN	<a href="#">Internal components (1 of 5) on page 249</a>
Gear, 31T	RC1-6594-000CN	<a href="#">Internal components (2 of 5) on page 251</a>
Gear, 41T	RC1-6589-000CN	<a href="#">Internal components (2 of 5) on page 251</a>
Gear, 58T	RC1-6571-000CN	<a href="#">Internal components (1 of 5) on page 249</a>
Guard, cable	RC1-6825-000CN	<a href="#">Internal components (4 of 5) on page 255</a>
Guide, cable, left	RC1-6681-000CN	<a href="#">Internal components (4 of 5) on page 255</a>
Guide, cable, right 1	RC1-6682-000CN	<a href="#">Internal components (2 of 5) on page 251</a>
Guide, cable, right 3	RC1-7544-000CN	<a href="#">Internal components (2 of 5) on page 251</a>
Guide, cable, right 4	RC1-7545-000CN	<a href="#">Internal components (2 of 5) on page 251</a>
Guide, cartridge, left	RC1-6629-000CN	<a href="#">Internal components (1 of 5) on page 249</a>
Guide, cassette front, left	RC1-6499-000CN	<a href="#">Internal components (3 of 5) on page 253</a>
Guide, cassette front, right	RC1-6502-000CN	<a href="#">Internal components (3 of 5) on page 253</a>
Guide, flexible flat cable 1	RC1-6772-000CN	<a href="#">Internal components (4 of 5) on page 255</a>
Guide, flexible flat cable 2	RC1-6773-000CN	<a href="#">Internal components (4 of 5) on page 255</a>
High-voltage PCA assembly	RM1-2578-000CN	<a href="#">PCAs on page 275</a>
Holder, drawer	RC1-6653-000CN	<a href="#">Internal components (4 of 5) on page 255</a>
Holder, drawer connector	RC1-6652-000CN	<a href="#">Internal components (4 of 5) on page 255</a>
Holder, ETB, left	RC1-6673-000CN	<a href="#">Internal components (3 of 5) on page 253</a>
Holder, ETB, right	RC1-6674-000CN	<a href="#">Internal components (3 of 5) on page 253</a>

**Table 7-22** Alphabetical parts list (continued)

Description	Part number	Table and page
Holder, fan	RC1-6631-000CN	<a href="#">Internal components (1 of 5) on page 249</a>
Holder, toner cartridge	RC1-6771-000CN	<a href="#">Internal components (2 of 5) on page 251</a>
Interlock-switch assembly	RM1-2670-000CN	<a href="#">External panels, and covers (2 of 2) on page 245</a>
Latch, left	RC1-7554-000CN	<a href="#">Internal components (1 of 5) on page 249</a>
Latch, right	RC1-7555-000CN	<a href="#">Internal components (1 of 5) on page 249</a>
Lever lock, left	RC1-6633-000CN	<a href="#">Internal components (1 of 5) on page 249</a>
Lever, lock slide, left	RC1-6636-000CN	<a href="#">Internal components (1 of 5) on page 249</a>
Lever, lock slide, right	RC1-6643-000CN	<a href="#">Internal components (1 of 5) on page 249</a>
Lever, lock, left upper	RC1-7618-000CN	<a href="#">Internal components (1 of 5) on page 249</a>
Lever, sensing	RC1-7597-000CN	<a href="#">Internal components (2 of 5) on page 251</a>
Link, multipurpose tray (tray 1) hinge left	RC1-6381-000CN	<a href="#">External panels and covers (1 of 2) on page 243</a>
Link, multipurpose tray (tray 1) hinge right	RC1-6382-000CN	<a href="#">External panels and covers (1 of 2) on page 243</a>
Low-voltage power PCA assembly (110V-127V)	RM1-4377-000CN	<a href="#">PCAs on page 275</a>
Low-voltage power PCA assembly (220V-240V)	RM1-4378-000CN	<a href="#">PCAs on page 275</a>
Motor, AC 24V, 9W	RK2-0939-000CN	<a href="#">Internal components (3 of 5) on page 253</a>
Motor, DC (ETB)	RK2-0937-000CN	<a href="#">Electrostatic transfer belt on page 269</a>
Mount, hinge, left	RC1-6684-000CN	<a href="#">Internal components (3 of 5) on page 253</a>
Multipurpose tray (tray 1) extension tray assembly	RM1-2710-000CN	<a href="#">External panels and covers (1 of 2) on page 243</a>
Multipurpose tray assembly (tray 1)	RM1-2711-000CN	<a href="#">Multipurpose tray assembly (tray 1) on page 271</a>
Multipurpose tray paper-pickup gear assembly	RM1-2704-000CN	<a href="#">Internal components (5 of 5) on page 257</a>
Pad, separation (tray 1)	RC1-2699-000CN	<a href="#">Paper-pickup assembly on page 267</a>
Paper-pickup assembly	RM1-2774-000CN	<a href="#">Paper-pickup assembly on page 267</a>
Paper-pickup drive assembly	RM1-2679-000CN	<a href="#">Paper-pickup drive assembly on page 259</a>

**Table 7-22** Alphabetical parts list (continued)

Description	Part number	Table and page
Paper-pickup-roller assembly (500-sheet feeder)	RM1-2727-000CN	<a href="#">500-sheet feeder paper-pickup assembly on page 279</a>
PCA assembly (500-sheet feeder)	RM1-2583-000CN	<a href="#">500-sheet feeder PCA on page 281</a>
Photointerruptor	WG8-5696-000CN	<a href="#">500-sheet feeder paper-pickup assembly on page 279</a>
Plate lock release, tray 2	RC1-6833-000CN	<a href="#">Internal components (3 of 5) on page 253</a>
Plate, gear 3	RL1-1069-000CN	<a href="#">Internal components (3 of 5) on page 253</a>
Preregistration-guide assembly	RM1-2775-000CN	<a href="#">Paper-pickup assembly on page 267</a>
Relay, PCA	RM1-2582-000CN	<a href="#">Internal components (5 of 5) on page 257</a>
Right-rear base assembly	RM1-2678-000CN	<a href="#">Internal components (3 of 5) on page 253</a>
Rod, link, left	RC1-6639-000CN	<a href="#">Internal components (3 of 5) on page 253</a>
Rod, link, right	RC1-6646-000CN	<a href="#">Internal components (3 of 5) on page 253</a>
Scanner assembly	RM1-2952-000CN	<a href="#">Internal components (4 of 5) on page 255</a>
Sensor, media assembly	RM1-2757-000CN	<a href="#">500-sheet feeder paper-pickup assembly on page 279</a>
Sensor, output bin	RC1-6286-000CN	<a href="#">External panels, and covers (2 of 2) on page 245</a>
Sensor, temperature	WP2-5214-000CN	<a href="#">Internal components (4 of 5) on page 255</a>
Separation-pad assembly	RM1-2709-000CN	<a href="#">Cassette (tray 2) on page 265</a>
Separation-pad-holder assembly (500-sheet feeder)	RM1-2735-000CN	<a href="#">500-sheet feeder cassette (tray 3) on page 277</a>
Shield, PCA	RC1-7599-000CN	<a href="#">Internal components (5 of 5) on page 257</a>
Spring, compression	RC1-6520-000CN	<a href="#">Paper-pickup assembly on page 267</a>
Spring, grounding	RC1-7583-000CN	<a href="#">Internal components (1 of 5) on page 249</a>
Spring, tension	RC1-6383-000CN	<a href="#">External panels and covers (1 of 2) on page 243</a>
Spring, tension	RC1-6634-000CN	<a href="#">Internal components (1 of 5) on page 249</a>
Spring, tension	RC1-6677-000CN	<a href="#">Internal components (1 of 5) on page 249</a>

**Table 7-22** Alphabetical parts list (continued)

Description	Part number	Table and page
Spring, tension	RC1-7552-000CN	<a href="#">Internal components (1 of 5) on page 249</a>
Spring, tension	RC1-7598-000CN	<a href="#">Internal components (2 of 5) on page 251</a>
Spring, tension	RC1-6516-000CN	<a href="#">Paper-pickup assembly on page 267</a>
Top-cover assembly	RM1-2672-000CN	<a href="#">External panels, and covers (2 of 2) on page 245</a>
Upper cover assembly (fuser door)	RM1-2671-000CN	<a href="#">External panels, and covers (2 of 2) on page 245</a>



# Numerical parts list

Table 7-23 Numerical parts list

Part number	Description	Table and page
Q5982-67921	Cartridge lock kit (includes four locks and four springs)	<a href="#">Internal components (1 of 5) on page 249</a>
Q5985-67901	500-sheet feeder and cassette	<a href="#">500-sheet feeder cassette (tray 3) on page 277</a>
Q7824-67901	Formatter, base, new	<a href="#">PCAs on page 275</a>
Q7824-69001	Formatter, base, exchange	<a href="#">PCAs on page 275</a>
Q7825-69001	Formatter, network, exchange	<a href="#">PCAs on page 275</a>
Q7825-67901	Formatter, network, new	<a href="#">PCAs on page 275</a>
RC1-6286-000CN	Sensor, output bin	<a href="#">External panels, and covers (2 of 2) on page 245</a>
RC1-6381-000CN	Link, multipurpose tray (tray 1) hinge left	<a href="#">External panels and covers (1 of 2) on page 243</a>
RC1-6382-000CN	Link, multipurpose tray (tray 1) hinge right	<a href="#">External panels and covers (1 of 2) on page 243</a>
RC1-6383-000CN	Spring, tension	<a href="#">External panels and covers (1 of 2) on page 243</a>
RC1-6394-000CN	Case, media sensor	<a href="#">Paper-pickup assembly on page 267</a>
RC1-6405-000CN	Cover, gear	<a href="#">Internal components (3 of 5) on page 253</a>
RC1-6491-000CN	Cover, cassette, front	<a href="#">Cassette (tray 2) on page 265</a>
RC1-6499-000CN	Guide, cassette front, left	<a href="#">Internal components (3 of 5) on page 253</a>
RC1-6502-000CN	Guide, cassette front, right	<a href="#">Internal components (3 of 5) on page 253</a>
RC1-6516-000CN	Spring, tension	<a href="#">Paper-pickup assembly on page 267</a>
RC1-6517-000CN	Bushing	<a href="#">Paper-pickup assembly on page 267</a>
RC1-6519-000CN	Bushing	<a href="#">Paper-pickup assembly on page 267</a>
RC1-6520-000CN	Spring, compression	<a href="#">Paper-pickup assembly on page 267</a>
RC1-6521-000CN	Gear, 18T	<a href="#">Paper-pickup assembly on page 267</a>
RC1-6573-000CN	Bushing	<a href="#">Internal components (1 of 5) on page 249</a>
RC1-6575-000CN	Gear, 29T	<a href="#">Internal components (1 of 5) on page 249</a>

**Table 7-23** Numerical parts list (continued)

<b>Part number</b>	<b>Description</b>	<b>Table and page</b>
RC1-6584-000CN	Cam, gear. 48T	<a href="#">Internal components (2 of 5) on page 251</a>
RC1-6589-000CN	Gear, 41T	<a href="#">Internal components (2 of 5) on page 251</a>
RC1-6593-000CN	Gear, 19T/30T	<a href="#">Internal components (2 of 5) on page 251</a>
RC1-6594-000CN	Gear, 31T	<a href="#">Internal components (2 of 5) on page 251</a>
RC1-6596-000CN	Gear, 17T/41T	<a href="#">Internal components (2 of 5) on page 251</a>
RC1-6605-000CN	Flag, developing estrangement (developing separation)	<a href="#">Internal components (2 of 5) on page 251</a>
RC1-6607-000CN	Cover, connector	<a href="#">Internal components (5 of 5) on page 257</a>
RC1-6611-000CN	Cover, paper sensor	<a href="#">Internal components (5 of 5) on page 257</a>
RC1-6612-000CN	Cover, registration sensor	<a href="#">Internal components (5 of 5) on page 257</a>
RC1-6627-000CN	Cover, rear	<a href="#">Internal components (5 of 5) on page 257</a>
RC1-6629-000CN	Guide, cartridge, left	<a href="#">Internal components (1 of 5) on page 249</a>
RC1-6631-000CN	Holder, fan	<a href="#">Internal components (1 of 5) on page 249</a>
RC1-6632-000CN	Duct, fan	<a href="#">Internal components (1 of 5) on page 249</a>
RC1-6633-000CN	Lever lock, left	<a href="#">Internal components (1 of 5) on page 249</a>
RC1-6634-000CN	Spring, tension	<a href="#">Internal components (1 of 5) on page 249</a>
RC1-6636-000CN	Lever, lock slide, left	<a href="#">Internal components (1 of 5) on page 249</a>
RC1-6638-000CN	Cam, slide, left	<a href="#">Internal components (3 of 5) on page 253</a>
RC1-6639-000CN	Rod, link, left	<a href="#">Internal components (3 of 5) on page 253</a>
RC1-6643-000CN	Lever, lock slide, right	<a href="#">Internal components (1 of 5) on page 249</a>
RC1-6645-000CN	Cam, slide, right	<a href="#">Internal components (1 of 5) on page 249</a>
RC1-6646-000CN	Rod, link, right	<a href="#">Internal components (3 of 5) on page 253</a>
RC1-6650-000CN	Foot, rear	<a href="#">Internal components (3 of 5) on page 253</a>

**Table 7-23** Numerical parts list (continued)

Part number	Description	Table and page
RC1-6651-000CN	Cover, shutter, left	<a href="#">Internal components (2 of 5) on page 251</a>
RC1-6652-000CN	Holder, drawer connector	<a href="#">Internal components (4 of 5) on page 255</a>
RC1-6653-000CN	Holder, drawer	<a href="#">Internal components (4 of 5) on page 255</a>
RC1-6668-000CN	Cover, crossmember, upper	<a href="#">Internal components (2 of 5) on page 251</a>
RC1-6673-000CN	Holder, ETB, left	<a href="#">Internal components (3 of 5) on page 253</a>
RC1-6674-000CN	Holder, ETB, right	<a href="#">Internal components (3 of 5) on page 253</a>
RC1-6677-000CN	Spring, tension	<a href="#">Internal components (1 of 5) on page 249</a>
RC1-6681-000CN	Guide, cable, left	<a href="#">Internal components (4 of 5) on page 255</a>
RC1-6682-000CN	Guide, cable, right 1	<a href="#">Internal components (2 of 5) on page 251</a>
RC1-6684-000CN	Mount, hinge, left	<a href="#">Internal components (3 of 5) on page 253</a>
RC1-6687-000CN	Cover, left	<a href="#">External panels and covers (1 of 2) on page 243</a>
RC1-6690-000CN	Cover, multipurpose tray (tray 1)	<a href="#">External panels and covers (1 of 2) on page 243</a>
RC1-6691-000CN	Cover, cassette rear right (hinge)	<a href="#">External panels and covers (1 of 2) on page 243</a>
RC1-6700-000CN	Arm, switch-link	<a href="#">Internal components (4 of 5) on page 255</a>
RC1-6771-000CN	Holder, toner cartridge	<a href="#">Internal components (2 of 5) on page 251</a>
RC1-6772-000CN	Guide, flexible flat cable 1	<a href="#">Internal components (4 of 5) on page 255</a>
RC1-6773-000CN	Guide, flexible flat cable 2	<a href="#">Internal components (4 of 5) on page 255</a>
RC1-6792-000CN	Cover, cassette rear left	<a href="#">External panels and covers (1 of 2) on page 243</a>
RC1-6795-000CN	Cover, guide crossmember	<a href="#">Internal components (1 of 5) on page 249</a>
RC1-6823-000CN	Bushing	<a href="#">Internal components (2 of 5) on page 251</a>
RC1-6824-000CN	Cover, slide plate, right	<a href="#">Internal components (1 of 5) on page 249</a>
RC1-6825-000CN	Guard, cable	<a href="#">Internal components (4 of 5) on page 255</a>

**Table 7-23** Numerical parts list (continued)

<b>Part number</b>	<b>Description</b>	<b>Table and page</b>
RC1-6833-000CN	Plate lock release, tray 2	<a href="#">Internal components (3 of 5) on page 253</a>
RC1-6945-000CN	Cover, 500-sheet cassette	<a href="#">500-sheet feeder cassette (tray 3) on page 277</a>
RC1-7544-000CN	Guide, cable, right 3	<a href="#">Internal components (2 of 5) on page 251</a>
RC1-7545-000CN	Guide, cable, right 4	<a href="#">Internal components (2 of 5) on page 251</a>
RC1-7546-000CN	Duct 1	<a href="#">Internal components (5 of 5) on page 257</a>
RC1-7547-000CN	Duct, 2	<a href="#">Internal components (1 of 5) on page 249</a>
RC1-7548-000CN	Duct, 3	<a href="#">Internal components (1 of 5) on page 249</a>
RC1-7550-000CN	Cover, rear lower	<a href="#">External panels and covers (1 of 2) on page 243</a>
RC1-7551-000CN	Bracket, left, rear	<a href="#">Internal components (4 of 5) on page 255</a>
RC1-7552-000CN	Spring, tension	<a href="#">Internal components (1 of 5) on page 249</a>
RC1-7554-000CN	Latch, left	<a href="#">Internal components (1 of 5) on page 249</a>
RC1-7555-000CN	Latch, right	<a href="#">Internal components (1 of 5) on page 249</a>
RC1-7576-000CN	Crossmember, drive side plate	<a href="#">Internal components (2 of 5) on page 251</a>
RC1-7577-000CN	Cover	<a href="#">Internal components (5 of 5) on page 257</a>
RC1-7583-000CN	Spring, grounding	<a href="#">Internal components (1 of 5) on page 249</a>
RC1-7597-000CN	Lever, sensing	<a href="#">Internal components (2 of 5) on page 251</a>
RC1-7598-000CN	Spring, tension	<a href="#">Internal components (2 of 5) on page 251</a>
RC1-7599-000CN	Shield, PCA	<a href="#">Internal components (5 of 5) on page 257</a>
RC1-7618-000CN	Lever, lock, left upper	<a href="#">Internal components (1 of 5) on page 249</a>
RC1-7959-000CN	Block, multipurpose path	<a href="#">Paper-pickup assembly on page 267</a>
RC1-2699-000CN	Pad, separation (tray 1)	<a href="#">Paper-pickup assembly on page 267</a>
RC1-6571-000CN	Gear, 58T	<a href="#">Internal components (1 of 5) on page 249</a>

**Table 7-23** Numerical parts list (continued)

Part number	Description	Table and page
RK2-0937-000CN	Motor, DC (ETB)	<a href="#">Electrostatic transfer belt on page 269</a>
RK2-0939-000CN	Motor, AC 24V, 9W	<a href="#">Internal components (3 of 5) on page 253</a>
RK2-0954-000CN	Fan	<a href="#">Internal components (1 of 5) on page 249</a>
RK2-0967-000CN	Cable, scanner flat (short)	<a href="#">Internal components (2 of 5) on page 251</a>
RK2-0969-000CN	Cable, drive flat 1	<a href="#">Internal components (5 of 5) on page 257</a>
RK2-0970-000CN	Cable, drive flat 2	<a href="#">Internal components (5 of 5) on page 257</a>
RK2-0971-000CN	Cable, scanner flat (long)	<a href="#">Internal components (2 of 5) on page 251</a>
RK2-1007-01	Discharge tool, low-voltage power-supply	<a href="#">PCAs on page 275</a>
RL1-1067-000CN	Foot, rubber assembly, front	<a href="#">Internal components (3 of 5) on page 253</a>
RL1-1069-000CN	Plate, gear 3	<a href="#">Internal components (3 of 5) on page 253</a>
RM1-2576-000CN	Cassette sensor PCA	<a href="#">Internal components (3 of 5) on page 253</a>
RM1-2578-000CN	High-voltage PCA assembly	<a href="#">PCAs on page 275</a>
RM1-2581-000CN	Driver PCA	<a href="#">PCAs on page 275</a>
RM1-2582-000CN	Relay, PCA	<a href="#">Internal components (5 of 5) on page 257</a>
RM1-2583-000CN	PCA assembly (500-sheet feeder)	<a href="#">500-sheet feeder PCA on page 281</a>
RM1-2585-000CN	Cartridge-sensor PCA	<a href="#">PCAs on page 275</a>
RM1-2587-000CN	Cable, panel connecting	<a href="#">Internal components (5 of 5) on page 257</a>
RM1-2592-000CN	Cable, power control	<a href="#">Internal components (5 of 5) on page 257</a>
RM1-2594-000CN	Cable, scanner	<a href="#">Internal components (2 of 5) on page 251</a>
RM1-2595-000CN	Cable, environment sensor	<a href="#">Internal components (4 of 5) on page 255</a>
RM1-2596-000CN	Cable, panel	<a href="#">Internal components (1 of 5) on page 249</a>
RM1-2597-000CN	Fuser cable assembly	<a href="#">Internal components (4 of 5) on page 255</a>
RM1-2600-000CN	DC controller PCA assembly	<a href="#">PCAs on page 275</a>
RM1-2603-000CN	Cable, sensor	<a href="#">Internal components (3 of 5) on page 253</a>

**Table 7-23** Numerical parts list (continued)

<b>Part number</b>	<b>Description</b>	<b>Table and page</b>
RM1-2605-000CN	Cable, drive power	<a href="#">Internal components (4 of 5) on page 255</a>
RM1-2608-000CN	Cable, ETB	<a href="#">Internal components (4 of 5) on page 255</a>
RM1-2610-000Cn	Cable, drum motor	<a href="#">Internal components (4 of 5) on page 255</a>
RM1-2611-000CN	Cable, solenoid	<a href="#">Internal components (4 of 5) on page 255</a>
RM1-2613-000CN	Cable, cassette	<a href="#">Internal components (4 of 5) on page 255</a>
RM1-2619-000CN	Cable, fuser drive	<a href="#">Fuser drive assembly on page 263</a>
RM1-2624-000CN	Cable, option media sensor (500-sheet feeder)	<a href="#">500-sheet feeder paper-pickup assembly on page 279</a>
RM1-2625-000CN	Cable, option sensor	<a href="#">500-sheet feeder paper-pickup assembly on page 279</a>
RM1-2627-000CN	Cable, memory tag	<a href="#">Internal components (2 of 5) on page 251</a>
RM1-2628-000CN	Cable, paper-full	<a href="#">Internal components (4 of 5) on page 255</a>
RM1-2629-000CN	Cable, drum motor	<a href="#">Internal components (4 of 5) on page 255</a>
RM1-2630-000CN	Cable, paper-full	<a href="#">External panels, and covers (2 of 2) on page 245</a>
RM1-2665-000CN	Fuser assembly 110V-127V	<a href="#">Fuser on page 273</a>
RM1-2668-000CN	Fuser drive assembly	<a href="#">Fuser drive assembly on page 263</a>
RM1-2670-000CN	Interlock-switch assembly	<a href="#">External panels, and covers (2 of 2) on page 245</a>
RM1-2671-000CN	Upper cover assembly (fuser door)	<a href="#">External panels, and covers (2 of 2) on page 245</a>
RM1-2672-000CN	Top-cover assembly	<a href="#">External panels, and covers (2 of 2) on page 245</a>
RM1-2673-000CN	Front-cover assembly	<a href="#">Front-cover assembly on page 247</a>
RM1-2678-000CN	Right-rear base assembly	<a href="#">Internal components (3 of 5) on page 253</a>
RM1-2679-000CN	Paper-pickup drive assembly	<a href="#">Paper-pickup drive assembly on page 259</a>
RM1-2683-000CN	Contact-holder assembly	<a href="#">Internal components (1 of 5) on page 249</a>
RM1-2687-000CN	Developing separation (estrangement) drive assembly	<a href="#">Developing separation-drive assembly on page 261</a>

**Table 7-23** Numerical parts list (continued)

Part number	Description	Table and page
RM1-2689-000CN	Drive-motor assembly, print-cartridge (Y, C, M cartridges only)	<a href="#">Internal components (2 of 5) on page 251</a>
RM1-2699-000CN	Clutch, mechanical	<a href="#">Paper-pickup assembly on page 267</a>
RM1-2704-000CN	Multipurpose tray paper-pickup gear assembly	<a href="#">Internal components (5 of 5) on page 257</a>
RM1-2705-000CN	Cassette, 250-sheet	<a href="#">Cassette (tray 2) on page 265</a>
RM1-2709-000CN	Separation-pad assembly	<a href="#">Cassette (tray 2) on page 265</a>
RM1-2710-000CN	Multipurpose tray (tray 1) extension tray assembly	<a href="#">External panels and covers (1 of 2) on page 243</a>
RM1-2711-000CN	Multipurpose tray assembly (tray 1)	<a href="#">Multipurpose tray assembly (tray 1) on page 271</a>
RM1-2725-000CN	500-sheet feeder paper-pickup assembly	<a href="#">500-sheet feeder paper-pickup assembly on page 279</a>
RM1-2732-000CN	500-sheet cassette (only), tray 3	<a href="#">500-sheet feeder cassette (tray 3) on page 277</a>
RM1-2735-000CN	Separation-pad-holder assembly (500-sheet feeder)	<a href="#">500-sheet feeder cassette (tray 3) on page 277</a>
RM1-2743-000CN	Fuser assembly 220V-240V	<a href="#">Fuser on page 273</a>
RM1-2757-000CN	Sensor, media assembly	<a href="#">500-sheet feeder paper-pickup assembly on page 279</a>
RM1-2759-040CN	Electrostatic transfer belt	<a href="#">Electrostatic transfer belt on page 269</a>
RM1-2771-000CN	Cartridge, guide, right assembly	<a href="#">Internal components (1 of 5) on page 249</a>
RM1-2773-000CN	Drive-motor assembly, print-cartridge (K cartridge only)	<a href="#">Internal components (2 of 5) on page 251</a>
RM1-2774-000CN	Paper-pickup assembly	<a href="#">Paper-pickup assembly on page 267</a>
RM1-2775-000CN	Preregistration-guide assembly	<a href="#">Paper-pickup assembly on page 267</a>
RM1-2777-000CN	Face-down tray assembly	<a href="#">External panels, and covers (2 of 2) on page 245</a>
RM1-2952-000CN	Scanner assembly	<a href="#">Internal components (4 of 5) on page 255</a>
RM1-3868-000CN	Control-panel assembly	<a href="#">External panels, and covers (2 of 2) on page 245</a>
RM1-3868-000CN	Control panel-assembly	<a href="#">PCAs on page 275</a>
RM1-4377-000CN	Low-voltage power PCA assembly (110V-127V)	<a href="#">PCAs on page 275</a>
RM1-4378-000CN	Low-voltage power PCA assembly (220V-240V)	<a href="#">PCAs on page 275</a>
RM1-2669-000CN	Cover, right	<a href="#">External panels and covers (1 of 2) on page 243</a>

**Table 7-23** Numerical parts list (continued)

<b>Part number</b>	<b>Description</b>	<b>Table and page</b>
RM1-2727-000CN	Paper-pickup-roller assembly (500-sheet feeder)	<a href="#">500-sheet feeder paper-pickup assembly on page 279</a>
VS1-7207-003CN	Connector, snap-tight	<a href="#">External panels, and covers (2 of 2) on page 245</a>
WG8-5696-000CN	Photointerruptor	<a href="#">500-sheet feeder paper-pickup assembly on page 279</a>
WP2-5214-000CN	Sensor, temperature	<a href="#">Internal components (4 of 5) on page 255</a>
WT2-5944-000CN	Cable, clamp	<a href="#">Internal components (5 of 5) on page 257</a>