



## Carriage Drive Parts

### Belt

1 C4705-60082 Carriage belt (D-size) - Long/wide belt attached to the carriage

### Cable

2 C4713-60181 Carriage assembly trailing cable (D-size) - Has 60 pin (F) connectors - 1.6m (5.2ft) long

### Carriage

3 C3190-60143 Carriage assembly - Includes carriage PC board  
NO LONGER SUPPLIED

### Label

4 C3178-00030 Carriage label - Shows ink cartridge location

### Motor

5 C3190-60145 Carriage motor assembly  
NO LONGER SUPPLIED

### Pulley

6 C3190-60132 Idler pulley - For main drive belt - On left end of plotter - Includes pulley, shaft and spacer

### Spring

7 C3190-80010 Belt tensioner spring

## Electronic Accessories

### Cable (Interface)

17255D RS-232C serial cable - 25 pin (M) to 25 pin (F) - 1.2m (3.9ft) long  
NO LONGER SUPPLIED

17302A RS-232C serial cable - 25 pin (M) to 8 pin (M) DIN - 1.5m (4.9ft) long  
NO LONGER SUPPLIED

24540-80010 Centronics (parallel) cable - 36 pin (M) to 25 pin (M) - 2.0m (6.6ft) long

24542G RS-232C serial cable - 25 pin (M) to 9 pin (F) - 3.0m (9.8ft) long - Used to connect to HP Vectra and IBM PC/AT compatibles

5063-1256 IEEE-1284 Bi-Tronics parallel cable - DB-25 (M) connector (type A) to 36 pin Centronics (M) connector (type B) - 2.0m (6.6ft) long

5063-1257 IEEE-1284 Bi-Tronics parallel cable - DB-25 (M) connector (type A) to 36 pin Centronics (M) connector (type B) - 3.0m (9.8ft) long

C2913A RS-232C serial cable - 25 pin (M) to 25 pin (F) - 1.2m (3.9ft) long  
NO LONGER SUPPLIED

C2950A IEEE-1284 Bi-Tronics parallel cable - DB-25 (M) connector (type A) to 36 pin Centronics (M) connector (type B) - 2.0m (6.6ft) long

5063-1256 *New Part for C2950A*

C2951A IEEE-1284 Bi-Tronics parallel cable - DB-25 (M) connector (type A) to 36 pin Centronics (M) connector (type B) - 3.0m (9.8ft) long

C2990A IEEE-1284 Bi-Tronics parallel cable - DB-25 (M) (type A) to 36 pin (M) Centronics (type B) - 1.8m (6ft) long  
NO LONGER SUPPLIED

C2991A IEEE-1284 Bi-Tronics parallel cable - DB-25 (M) (type A) to 36 pin (M) Centronics (type B) - 3.0m (10ft) long  
NO LONGER SUPPLIED

### Memory (Product)

19 C2065A 4MB, 80nS, 36-bit SIMM memory module - For HP LaserJet IIISi, 4/4M, 4Si/MX  
NO LONGER SUPPLIED

20 C2066A 8MB, 80nS, 36-bit SIMM memory module - For HP LaserJet IIISi, 4/4M, 4Si/MX

21 D2297A 16MB, 70nS, 36-bit parity SIMM memory module  
NO LONGER SUPPLIED

22 D3578A 32MB, 70nS, 36-bit parity SIMM memory module  
NO LONGER SUPPLIED



## Electronic Accessories

### Memory (SIMM)

23	D2152-69001	8MB, 80nS, 36-bit SIMM memory module REQUIRES RETURN OF DEFECTIVE PART
	D2152-63001	<i>New Part for D2152-69001</i>
24	D2156-69001	4MB, 80nS, 36-bit SIMM memory module REQUIRES RETURN OF DEFECTIVE PART
	D2156-63001	<i>New Part for D2156-69001</i>
25	D2297-69001	16MB, 70nS, 36-bit SIMM memory module REQUIRES RETURN OF DEFECTIVE PART
	D2297-63001	<i>New Part for D2297-69001</i>
26	D2298-69001	32MB, 70nS, 36-bit SIMM memory module REQUIRES RETURN OF DEFECTIVE PART
	D3578-63001	<i>New Part for D2298-69001</i>
27	D3578-69001	32MB, 70nS, 36-bit parity SIMM memory module REQUIRES RETURN OF DEFECTIVE PART
	D3578-63001	<i>New Part for D3578-69001</i>

## Electronics/Power Supply

### Control Panel

	C3180-60010	Control panel - Mounts in control panel support NO LONGER SUPPLIED
29	C3190-60144	Control panel assembly - Mounts in right side cover - Includes control panel, panel support, and cover sensor

### Firmware

30	C3190-60168	ROM SIMM (Rev A.01.06) - Plugs into main logic board slot NO LONGER SUPPLIED
----	-------------	---------------------------------------------------------------------------------

### Module

31	C3190-69139	Electronics module - Contains power supply, cooling fan, main logic PC board, and interface connectors NO LONGER SUPPLIED
----	-------------	------------------------------------------------------------------------------------------------------------------------------

### Power Cord

	8120-0698	Power cord (Black) - 18 AWG, 2.3m (7.5ft) long - Has straight (F) receptacle (For 220V/240V in the USA and Canada)
	8120-1351	Power cord (Mint Gray) - 17 AWG, 2.3m (7.5ft) long - Has straight (F) receptacle (For 240V in the UK, Hong Kong, Singapore, Malaysia, and Brunei)
	8120-1369	Power cord (Mint Gray) - 17 AWG, 2.0m (6.6ft) long - Has straight (F) receptacle (For 240V in Australia, New Zealand, and China)
	8120-1378	Power cord (Jade Gray) - 18 AWG, 2.3m (7.5ft) long - Has straight (F) receptacle (For 120V in USA, Canada, Latin America, Korea, Taiwan, Thailand, Spain, Brazil, and Vietnam)
	8120-1689	Power cord (Mint Gray) - 17 AWG, 2.0m (6.6ft) long - Has straight (F) receptacle (For 220V in Europe, Bangladesh, Indonesia, Pakistan, Burma, Sri Lanka, and Vietnam)
	8120-2104	Power cord (Mint Gray) - 2.0m (6.6ft) long - Has straight (F) receptacle (For 220V in Switzerland)
	8120-2956	Power cord (Mint Gray) - 2.0m (6.6ft) long - Has straight (F) receptacle (For 220V in Denmark)
	8120-4211	Power cord (Mint Gray) - 17 AWG, 2.0m (6.6ft) long - Has straight (F) receptacle (For 240V in South Africa and India)

### Power Supply

40	0950-2623	Switching power supply (Delta DPS-158ABA) - 100-240VAC input, 47-63Hz - Four DC outputs (5.15V, +12V, -12V, 24V), 158 watts
----	-----------	-----------------------------------------------------------------------------------------------------------------------------

### Sensor

	C3190-60012	Cover sensor assembly NO LONGER SUPPLIED
	C3190-60144	<i>New Part for C3190-60012</i>



## External Case Parts

### Caster

1492-0145 Lockable caster assembly - Includes stem and washer  
NO LONGER SUPPLIED

### Cover

- 43 C3190-60082 Rear cover - Has cutouts to access SIMM slot, interface connectors, and AC receptacle  
NO LONGER SUPPLIED
- 44 C4699-00015 Optional SIMM slot cover
- 45 C4699-40003 Cover - Lift up top cover  
NO LONGER SUPPLIED
- 46 C4699-40004 Left end cover  
NO LONGER SUPPLIED
- 47 C4699-40005 Right end cover
- 48 C4713-40038 Carriage top cover

### Cross-Brace

- 49 C3192-60001 Cross-brace - Main structure that extends between stand legs

### Foot

- 50 C4696-60006 Foot assembly (includes casters)

### Hardware Kit

C4704-60095 Hardware kit for printer stand - Includes screwdriver, screws, washers, and media bin retaining clips

### Hinge

- 52 C3190-40041 Top cover hinge  
NO LONGER SUPPLIED

### Holder

- 53 C3190-40052 Holder - For quick reference guide

### Keycap

- 54 C3190-40045 Keycap - For the power switch

### Label

- 55 C4705-00017 Instruction label

### Leg

- 56 C4696-60007 Leg assembly - Side support for the plotter - Does NOT include the foot assembly

### Manual

- 57 C3190-60051 C3190A and C3191A DesignJet 250C users manual (English) - Includes control panel overlay (NOT sold separately)  
NO LONGER SUPPLIED
- 58 C3190-60052 C3190A and C3191A DesignJet 250C users manual (Korean) - Includes control panel overlay (NOT sold separately)  
NO LONGER SUPPLIED
- 59 C3190-60053 C3190A and C3191A DesignJet 250C users manual (Thai) - Includes control panel overlay (NOT sold separately)  
NO LONGER SUPPLIED
- 60 C3190-60054 C3190A and C3191A DesignJet 250C users manual (German) - Includes control panel overlay (NOT sold separately)  
NO LONGER SUPPLIED
- 61 C3190-60055 C3190A and C3191A DesignJet 250C users manual (French) - Includes control panel overlay (NOT sold separately)  
NO LONGER SUPPLIED
- 62 C3190-60056 C3190A and C3191A DesignJet 250C users manual (Spanish) - Includes control panel overlay (NOT sold separately)  
NO LONGER SUPPLIED
- 63 C3190-60057 C3190A and C3191A DesignJet 250C users manual (Italian) - Includes control panel overlay (NOT sold separately)  
NO LONGER SUPPLIED
- 64 C3190-60058 C3190A and C3191A DesignJet 250C users manual (Japanese) - Includes control panel overlay (NOT sold separately)  
NO LONGER SUPPLIED
- 65 C3190-60059 C3190A and C3191A DesignJet 250C users manual (Portuguese) - Includes control panel overlay (NOT sold separately)  
NO LONGER SUPPLIED



## External Case Parts

### Manual

- 66 C3190-60060 C3190A and C3191A DesignJet 250C users manual (Chinese) - Includes control panel overlay (NOT sold separately)  
NO LONGER SUPPLIED

### Nameplate/Logo

- 67 C3190-00022 Nameplate - DesignJet 250C printer  
NO LONGER SUPPLIED

### Stand

- C3192A DesignJet 230/250C Optional Stand (D/A1) - Includes legs, casters and brace - Does NOT include the paper bin  
NO LONGER SUPPLIED

## Optional Interfaces

### Interface (Module)

- J4101-61011 External JetDirect 300X print server module (10Base-T and 100Base-T) - Connects between printer parallel port and LAN network - Does NOT include power module - (J4101A, J4101B)

### Interface (Product)

- J2590A External JetDirect LAN interface module with RJ-45 connector for EtherTwist (10Base-T) or 100VG/802.12 input and 3 parallel (DB-25) output connectors  
NO LONGER SUPPLIED
- J2591A External JetDirect LAN interface module and power module - Has EtherTwist (10Base-T) and ThinLAN (10Base-2) connectors  
NO LONGER SUPPLIED
- J3258B External JetDirect 170X LAN interface module - Interfaces a parallel printer to an ethernet 10Base-T (RJ-45) LAN
- J3264A External JetDirect 500X token ring interface module - Interfaces up to 3 parallel printers to a token ring (DB-9 or RJ-45) LAN
- J3265A External JetDirect 500X LAN interface module - Interfaces up to 3 parallel printers to an ethernet 10Base-T (RJ-45), 10Base2 (BNC), or 100Base-TX (RJ-45) LAN

### Module

- J2382-69003 External JetDirect LAN interface module with ethertwist (10Base-T) and ThinLAN (10BASE-2) connectors
- J2383-61005 External token ring interface module - Has DB-9 connector
- J2590-69001 External JetDirect LAN interface module with RJ-45 connector for ethertwist (10Base-T) or 100VG/802.12 input and 3 parallel (DB-25) output connectors  
REQUIRES RETURN OF DEFECTIVE PART
- J2590-61011 New Part for J2590-69001*
- J2591-69001 External JetDirect LAN interface module with ethertwist (10Base-T) and ThinLAN (10BASE-2) connectors
- J2592-69001 External JetDirect LAN interface module with ethertwist (10Base-T) connector  
REQUIRES RETURN OF DEFECTIVE PART
- J2592-61001 New Part for J2592-69001*
- J2593-69001 External JetDirect LAN interface module with Ethertwist (10Base-T) and ThinLAN (10BASE-2) input connectors and 3 parallel (DB-25) output connectors - (part of J2593A)
- J2594-69001 External JetDirect token ring interface module with DB-9 and RJ-45 input connectors and 3 parallel (DB-25) output connectors - (part of J2594A)  
REQUIRES RETURN OF DEFECTIVE PART
- J2594-61011 New Part for J2594-69001*
- J3258-61011 External JetDirect LAN interface module with EtherTwist (10Base-T) connector - (J3258A, J3258B)
- J4102-69011 External JetDirect LAN interface module with EtherTwist (10Base-T) connector - (J4102A, J4102B)  
REQUIRES RETURN OF DEFECTIVE PART
- J4102-61011 New Part for J4102-69011*

### Module (Product)

- J4101B External JetDirect LAN interface module with EtherTwist (10Base-T/Base-TX) connector
- J4102B External JetDirect LAN interface module with EtherTwist (10Base-T) connector



## Optional Interfaces

### Power Cord

8120-1351	Power cord (Mint Gray) - 17 AWG, 2.3m (7.5ft) long - Has straight (F) receptacle (For 240V in the UK, Hong Kong, Singapore, Malaysia, and Brunei)
8120-1369	Power cord (Mint Gray) - 17 AWG, 2.0m (6.6ft) long - Has straight (F) receptacle (For 240V in Australia, New Zealand, and China)
8120-1378	Power cord (Jade Gray) - 18 AWG, 2.3m (7.5ft) long - Has straight (F) receptacle (For 120V in USA, Canada, Latin America, Korea, Taiwan, Thailand, Spain, Brazil, and Vietnam)
8120-1689	Power cord (Mint Gray) - 17 AWG, 2.0m (6.6ft) long - Has straight (F) receptacle (For 220V in Europe, Bangladesh, Indonesia, Pakistan, Burma, Sri Lanka, and Vietnam)
8120-2104	Power cord (Mint Gray) - 2.0m (6.6ft) long - Has straight (F) receptacle (For 220V in Switzerland)
8120-2956	Power cord (Mint Gray) - 2.0m (6.6ft) long - Has straight (F) receptacle (For 220V in Denmark)
8120-4753	Power cord (Flint Gray) - 18 AWG, 2.3m (7.5ft) long - Has straight (F) receptacle (For 100V in Japan)
8120-6302	'Daisy chain' power cord (Dove Gray) - 18 AWG, 1.2m (4.0ft) long - Has C14 (M) plug for power input and C13 (F) plug for power output

### Power Module

0950-2372	Power supply module - 100-240VAC input, 47-63Hz, requires separate AC power cord - 5VDC output, 1A, 5 watts - For J2382/83A/B
0950-3169	Wall mount power supply module - 110-127V AC 57-63Hz input - 13V DC output at 300mA (USA, Canada) - For use with the J2592A external JetDirect LAN interface module
0950-3170	Power supply module - 209-253VAC input, 47-53Hz - 13VDC output, 300mA (Europe, Israel) - For use with the J2592A external JetDirect LAN interface module
0950-3171	Power supply module - 220-240VAC input, 47-53Hz - 13VDC output, 300mA (U.K., Hong Kong) - For use with the J2592A external JetDirect LAN interface module
0950-3172	Power supply module - 240VAC input, 47-53Hz - 13VDC output, 300mA (Australia) - For use with the J2592A external JetDirect LAN interface module
0950-3348	Wall mount power supply module (MEI-AH ED12006) - 110-127VAC input, 57-63Hz - 13VDC output, 800mA, 10.4 watts (for use in the United States and Canada) - For models J2590/91/93/94A, J2964A, J3258A/B, J3263/64/65A, J3282B, J4101A/B, J4102A/B
0950-3349	Wall mount power supply module (MEI-AH ED12007) - 230VAC input, 47-53Hz - 13VDC output, 800mA, 10.4 watts (for use in Europe and Israel) - For JetDirect/infrared interface models J2590/91/93/94A, J2964A, J3258A/B, J3263/64/65A, J3282B, J4101A/B, J4102A/B
0950-3350	Wall mount power supply module (MEI-AH ED12008) - 220-240VAC input, 47-53Hz - 13VDC output, 800mA, 10.4 watts (for use in the United Kingdom) - For JetDirect/infrared interfaces J2590/91/93/94A, J2964A, J3258A/B, J3263/64/65A, J3282B, J4101A/B, J4102A/B
0950-3351	Wall mount power supply module (MEI-AH ED12009) - 220VAC input, 47-63Hz - 13VDC output, 800mA, 10.4 watts (for use in South Korea) - For JetDirect/infrared interface models J2590/91/93/94A, J2964A, J3258A/B, J3263/64/65A, J3282B, J4101A/B, J4102A/B
0950-3352	Wall mount power supply module (MEI-AH ED12010) - 100VAC input, 47-63Hz - 13VDC output, 800mA, 10.4 watts (for use in Japan) - For JetDirect/infrared interface models J2590/91/93/94A, J2964A, J3258A/B, J3263/64/65A, J3282B, J4101A/B, J4102A/B
0950-3354	Wall mount power supply module (MEI-AH ED12010) - 220-250VAC input, 47-53Hz - 13VDC output, 800mA, 10.4 watts (for use in South Africa) - For JetDirect/infrared interface models J2590/91/93/94A, J2964A, J3258A/B, J3263/64/65A, J3282B, J4101A/B, J4102A/B
9100-5176	Wall mount power supply module (Leader Electronics 48130625HK) - 200VAC input, 48-52Hz - 13VDC output, 625mA (Hong Kong) - For JetDirect Modules and Infrared Interface Models J2590/91/93/94A, J2964A, J3258A/B, J3263/64/65A, J3282B, J4101A/B, J4102A/B
0950-3350	<i>New Part for 9100-5176</i>

## Other Accessories

### CD-ROM (Support)

C7769-90066	DesignJet support CD ROM - Version A.04.01 - Has product information, user's manuals, service manuals, diagnostic software, test drawings, newsletters, and service notes
-------------	---------------------------------------------------------------------------------------------------------------------------------------------------------------------------



## Other Accessories

### Cartridge

51640A	Black print cartridge (w/ level indicator) - Prints approx.1120 pages based on 5% density on a 8 inch by 10 inch print area (for USA)
51640AA	Black print cartridge (with level indicator) - Prints approx.1120 pages based on 5% density on a 8 inch by 10 inch print area (for Asia/Pacific)
51640AE	Black print cartridge (with level indicator) - Prints approx.1120 pages based on 5% density on a 8 inch by 10 inch print area (for Europe)
51640AL	Black print cartridge (with level indicator) - Prints approx.1120 pages based on 5% density on a 8 inch by 10 inch print area (for Latin America)
51650C	Cyan (Blue) ink cartridge (with level indicator) - For USA
51650CA	Cyan (Blue) ink cartridge (with level indicator) - For Asia/Pacific
51650CE	Cyan (Blue) ink cartridge (with level indicator) - For Europe
51650CL	Cyan (Blue) ink cartridge (with level indicator) - For Latin America
51650M	Magenta (Red) ink cartridge (with level indicator) - For USA
51650MA	Magenta (Red) ink cartridge (with level indicator) - For Asia/Pacific
51650ME	Magenta (Red) ink cartridge (with level indicator) - For Europe
51650ML	Magenta (Red) ink cartridge (with level indicator) - For Latin America
51650Y	Yellow ink cartridge (with level indicator) - For USA
51650YA	Yellow ink cartridge (with level indicator) - For Asia/Pacific
51650YE	Yellow ink cartridge (with level indicator) - For Europe
51650YL	Yellow ink cartridge (with level indicator) - For Latin America

### Label

C3195-00057	Safety label - Provides warning that encoder strip is sharp
-------------	-------------------------------------------------------------

### Lubricant

6040-0858	Special lubricating oil - For carriage slider rod surface - 4oz (113g) plastic bottle of synthetic oil
C3190-60155	Grease - For helical gear (Drive roller gear)

### Manual

5959-9733	HP-GL/2 & HP RTL reference guide - Programming information, handbook for developers
127 C3190-60051	C3190A and C3191A DesignJet 250C users manual (English) - Includes control panel overlay (NOT sold separately) NO LONGER SUPPLIED
128 C3190-60052	C3190A and C3191A DesignJet 250C users manual (Korean) - Includes control panel overlay (NOT sold separately) NO LONGER SUPPLIED
129 C3190-60053	C3190A and C3191A DesignJet 250C users manual (Thai) - Includes control panel overlay (NOT sold separately) NO LONGER SUPPLIED
130 C3190-60054	C3190A and C3191A DesignJet 250C users manual (German) - Includes control panel overlay (NOT sold separately) NO LONGER SUPPLIED
131 C3190-60055	C3190A and C3191A DesignJet 250C users manual (French) - Includes control panel overlay (NOT sold separately) NO LONGER SUPPLIED
132 C3190-60056	C3190A and C3191A DesignJet 250C users manual (Spanish) - Includes control panel overlay (NOT sold separately) NO LONGER SUPPLIED
133 C3190-60057	C3190A and C3191A DesignJet 250C users manual (Italian) - Includes control panel overlay (NOT sold separately) NO LONGER SUPPLIED
134 C3190-60058	C3190A and C3191A DesignJet 250C users manual (Japanese) - Includes control panel overlay (NOT sold separately) NO LONGER SUPPLIED
135 C3190-60059	C3190A and C3191A DesignJet 250C users manual (Portuguese) - Includes control panel overlay (NOT sold separately) NO LONGER SUPPLIED
136 C3190-60060	C3190A and C3191A DesignJet 250C users manual (Chinese) - Includes control panel overlay (NOT sold separately) NO LONGER SUPPLIED



## Other Accessories

### Manual

- C3190-90157 C3190/91A DesignJet 250C, C4694/5A DesignJet 230, C4701/02A DesignJet 330 and C4699A/C4700A DesignJet 350C - Combined service manual update
- C4699-90000 C3190/91A DesignJet 250C, C4694/5A DesignJet 230, C4701/02A DesignJet 330 and C4699A/C4700A DesignJet 350C - Combined service manual (English)

### Return Kit

- 5183-5268 Return kit with box and instructions - For returning defective Thermal InkJet (TIJ) 2.5 InkJet cartridges covered under the CREW program - For USA
- 5184-2833 Return kit with box and instructions - For returning defective Thermal InkJet (TIJ) 2.5 InkJet cartridges covered under the CREW program - For use outside of the USA

### Software

- C6072-60281 Toolbox and driver software - HP-GL/2 and RTL drivers for Windows 3.1/95/98/NT 4.0 (all DesignJets), and toolbox software for Windows 95/NT 4.0 (Only for DesignJet 430/450C/455CA/1050C/1055CM) - On 3.5-inch 1.44MB floppy disks (English)
- C6072-60284 Toolbox and driver software - HP-GL/2 and RTL drivers for Windows 3.1/95/98/NT 4.0 (all DesignJets), and toolbox software for Windows 95/NT 4.0 (Only for DesignJet 430/450C/455CA/1050C/1055CM) - On 3.5-inch 1.44MB floppy disks (German)
- C6072-60285 Toolbox and driver software - HP-GL/2 and RTL drivers for Windows 3.1/95/98/NT 4.0 (all DesignJets), and toolbox software for Windows 95/NT 4.0 (Only for DesignJet 430/450C/455CA/1050C/1055CM) - On 3.5-inch 1.44MB floppy disks (French)
- C6072-60286 Toolbox and driver software - HP-GL/2 and RTL drivers for Windows 3.1/95/98/NT 4.0 (all DesignJets), and toolbox software for Windows 95/NT 4.0 (Only for DesignJet 430/450C/455CA/1050C/1055CM) - On 3.5-inch 1.44MB floppy disks (Spanish)
- C6072-60287 Toolbox and driver software - HP-GL/2 and RTL drivers for Windows 3.1/95/98/NT 4.0 (all DesignJets), and toolbox software for Windows 95/NT 4.0 (Only for DesignJet 430/450C/455CA/1050C/1055CM) - On 3.5-inch 1.44MB floppy disks (Italian)
- C6072-60301 HP-GL/2 driver software for AutoCAD - For DOS and Windows 3.1/95/NT 4.0 - On 3.5-inch 1.44MB floppy disks (English)
- C6072-60304 HP-GL/2 driver software for AutoCAD - For DOS and Windows 3.1/95/NT 4.0 - On 3.5-inch 1.44MB floppy disks (German)
- C6072-60305 HP-GL/2 driver software for AutoCAD - For DOS and Windows 3.1/95/NT 4.0 - On 3.5-inch 1.44MB floppy disks (French)
- C6072-60306 HP-GL/2 driver software for AutoCAD - For DOS and Windows 3.1/95/NT 4.0 - On 3.5-inch 1.44MB floppy disks (Spanish)
- C6072-60307 HP-GL/2 driver software for AutoCAD - For DOS and Windows 3.1/95/NT 4.0 - On 3.5-inch 1.44MB floppy disks (Italian)

### Training Kit

- C3190-60111 Self paced training kit for DesignJet 230/250/330/350  
NO LONGER SUPPLIED

### Training Test

- C3190-90102 Additional self paced training test - Contains 1 test for DesignJet 250C/30/350C/30  
NO LONGER SUPPLIED

## Other Internal Parts

### Cable

- <sup>153</sup> C4713-60182 Bail link (Cable) - Flexible stranded wire cable - 12.5cm (4.9 inches) long

### Primer

- <sup>154</sup> C4699-60003 Primer assembly - Mounted on left side of plotter

### Separator

- C3190-60013 Ink separator assembly - 8 tubes plug into separator  
NO LONGER SUPPLIED



### Other Internal Parts

#### Service Station

156 C3190-60142 Service station assembly

#### Spittoon

157 C3190-60004 Spittoon assembly - Contains absorbers which hold excess ink from cartridges

#### Strip

158 C4713-60098 Encoder strip assembly (D-size) - Includes encoder strip and encoder strip spring

#### Support

C3190-40026 Control panel support - Support is no longer available - Order the control panel assembly  
NO LONGER SUPPLIED

C3190-60144 *New Part for C3190-40026*

### Paper Drive Parts

#### Bail

175 C3190-60095 Bail assembly - Includes bail, starwheels, and brackets

#### Bushing

176 C1633-40082 Pincharm spring retaining bushing

#### Cable

177 C3180-60012 Ribbon cable - Has 5 pin (F) connectors - 16.3cm (6.4 inches) long

#### Handle

178 C3190-40029 Handle - Right side of plotter - To load paper

#### Motor

179 C3190-60169 Media motor/encoder assembly - Includes motor power cable  
NO LONGER SUPPLIED

#### Pincharm

180 C4699-60081 Pincharm assembly - Curved black plastic plate with 4 small rubber rollers (Does NOT include spring or bushing)

#### Roller

181 C3190-60096 Overdrive roller - Shaft with rollers - Runs width of plotter includes overdrive housing

182 C4699-60042 Paper drive (Platen) roller assembly - Long gear driven roller - Includes roller and mark encoder

#### Sensor

183 C3190-60140 Media sensor mechanical assembly - Includes, edge measuring and secondary levers, media sensor and holder

#### Spring

184 C1633-80005 Compression spring between pincharm assembly and bushing

#### Starwheel Mount

C4713-60035 Starwheel mount assembly - Includes cover, body, spring and two starwheels

### Paper and Other Media

#### Film (Matte)

51642C Polyester matte film - B size (11 x 17-inches) - 40 sheets  
NO LONGER SUPPLIED

51642A *New Part for 51642C*

51642F Polyester matte film - A3 size (29.7cm x 42.0cm) - 40 sheets  
NO LONGER SUPPLIED

51642G Polyester matte film - D size (22 x 34-inches) - 40 sheets  
NO LONGER SUPPLIED

51642A *New Part for 51642G*

51642H Polyester matte film - A1 size (59.4cm x 84.1cm) - 40 sheets  
NO LONGER SUPPLIED

51642J Polyester matte film - Architectural D size (24 x 36-inches) - 40 sheets  
NO LONGER SUPPLIED

51642A *New Part for 51642J*





### Paper and Other Media

#### Paper

C3855A	Opaque bond paper - Architectural D size (24 x 36-inches) - 100 sheets NO LONGER SUPPLIED
C1860A	<i>New Part for C3855A</i>
C3889A	Color InkJet cut sheet paper - Architectural D size (24 x 36-inches) - 100 sheets NO LONGER SUPPLIED
51631D	<i>New Part for C3889A</i>

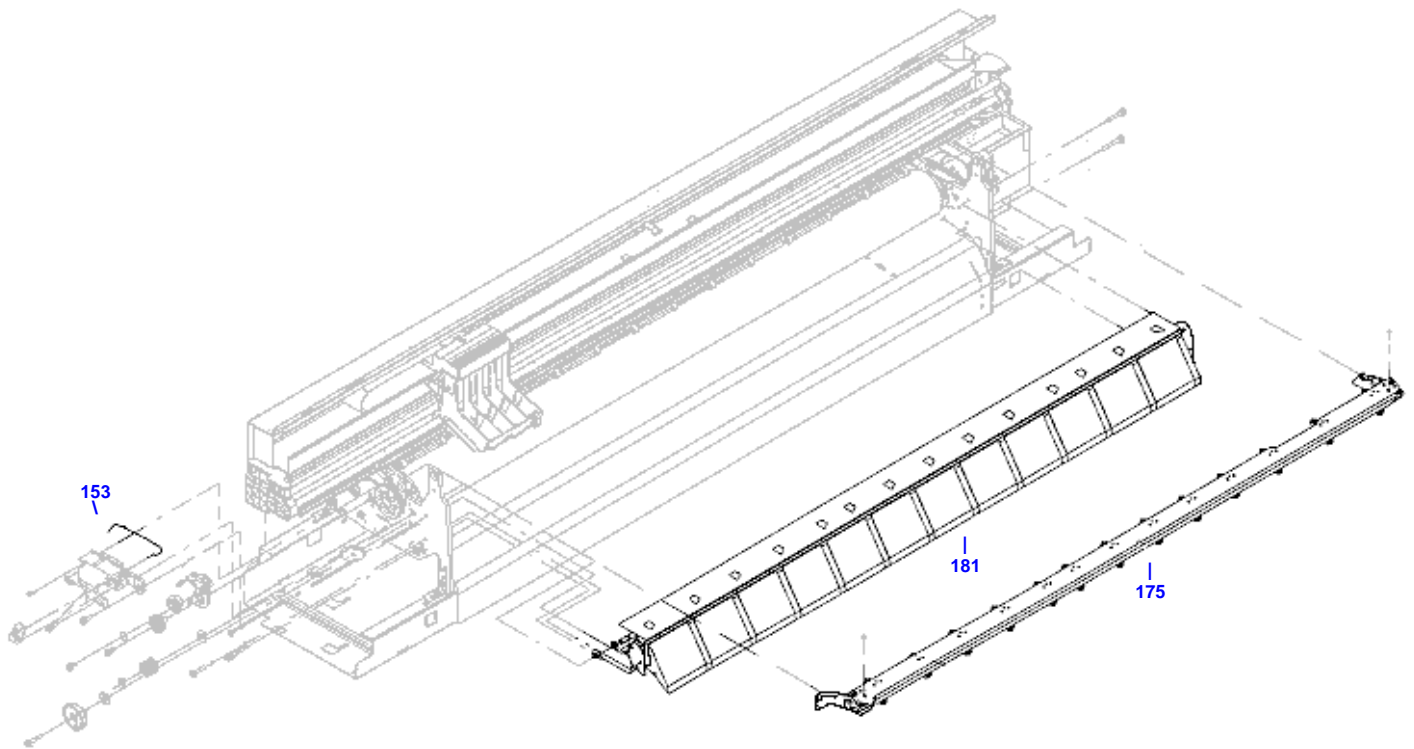
#### Paper (Backlit)

C7875A	Large format Colorluculent backlit UV media - 91.4cm (36in) x 3.0m (10ft)
--------	---------------------------------------------------------------------------

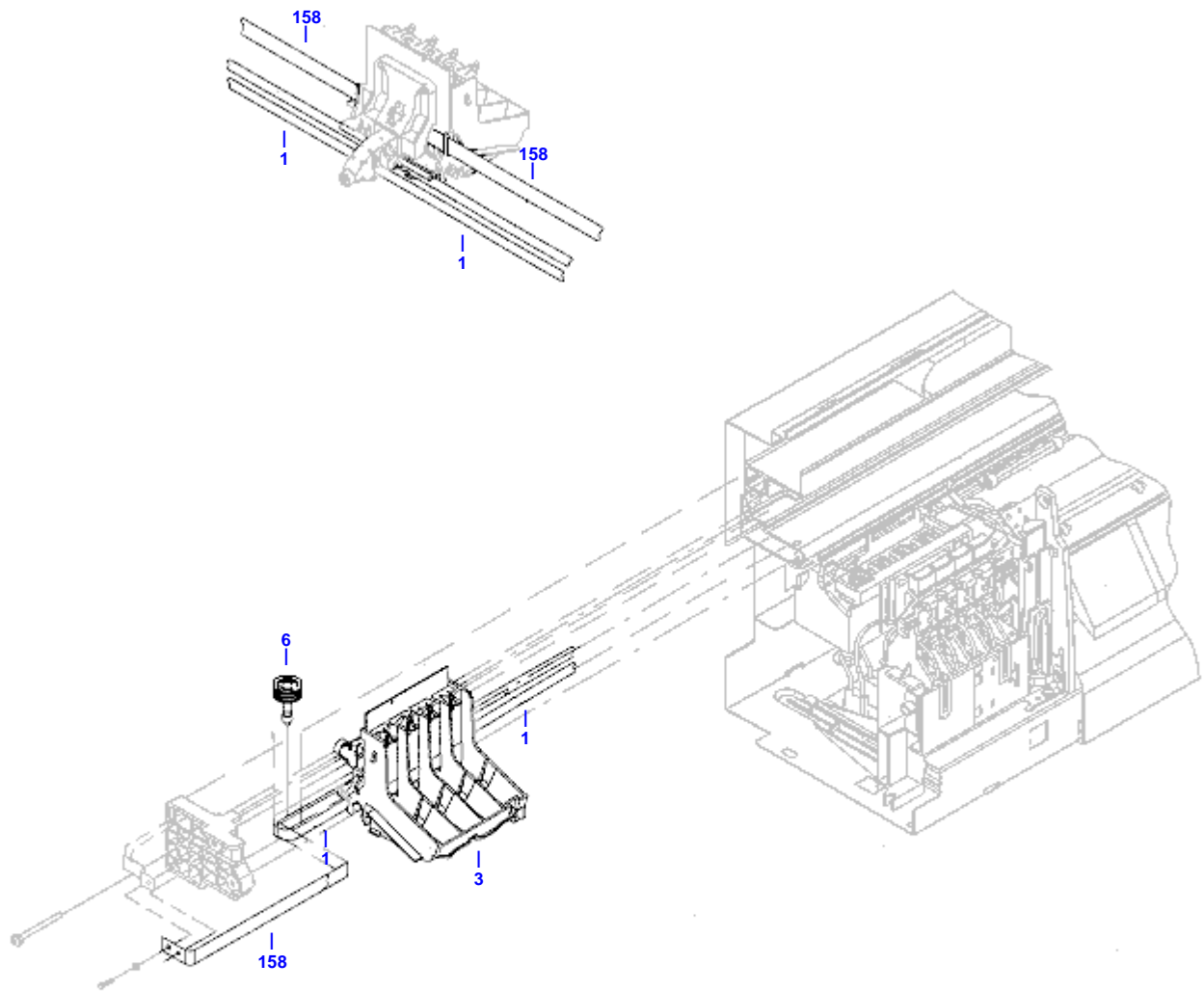
#### Paper (InkJet)

51630Z	Color InkJet CX cut sheet paper - A4 size (21.0cm x 29.7cm) - 200 sheets per package NO LONGER SUPPLIED
51630Y	Color InkJet CX cut sheet paper - A size (8.5 x 11-inches) - 200 sheets per package NO LONGER SUPPLIED
51631A	Color InkJet CX cut sheet paper - B size (11 x 17-inches) - 200 sheets per package NO LONGER SUPPLIED
51631B	Color InkJet CX cut sheet paper - A3 size (29.7cm x 42.0cm) - 200 sheets per package NO LONGER SUPPLIED
51631G	Color InkJet cut sheet paper - D size (22 x 34-inches) - 100 sheets per package NO LONGER SUPPLIED
51631D	<i>New Part for 51631G</i>
51631H	Color InkJet cut sheet paper - A1 size (59.4cm x 84.1cm) - 100 sheets per package NO LONGER SUPPLIED
51648D	Heavyweight color InkJet paper - 61cm (24in) x 45.7m (150ft) roll NO LONGER SUPPLIED

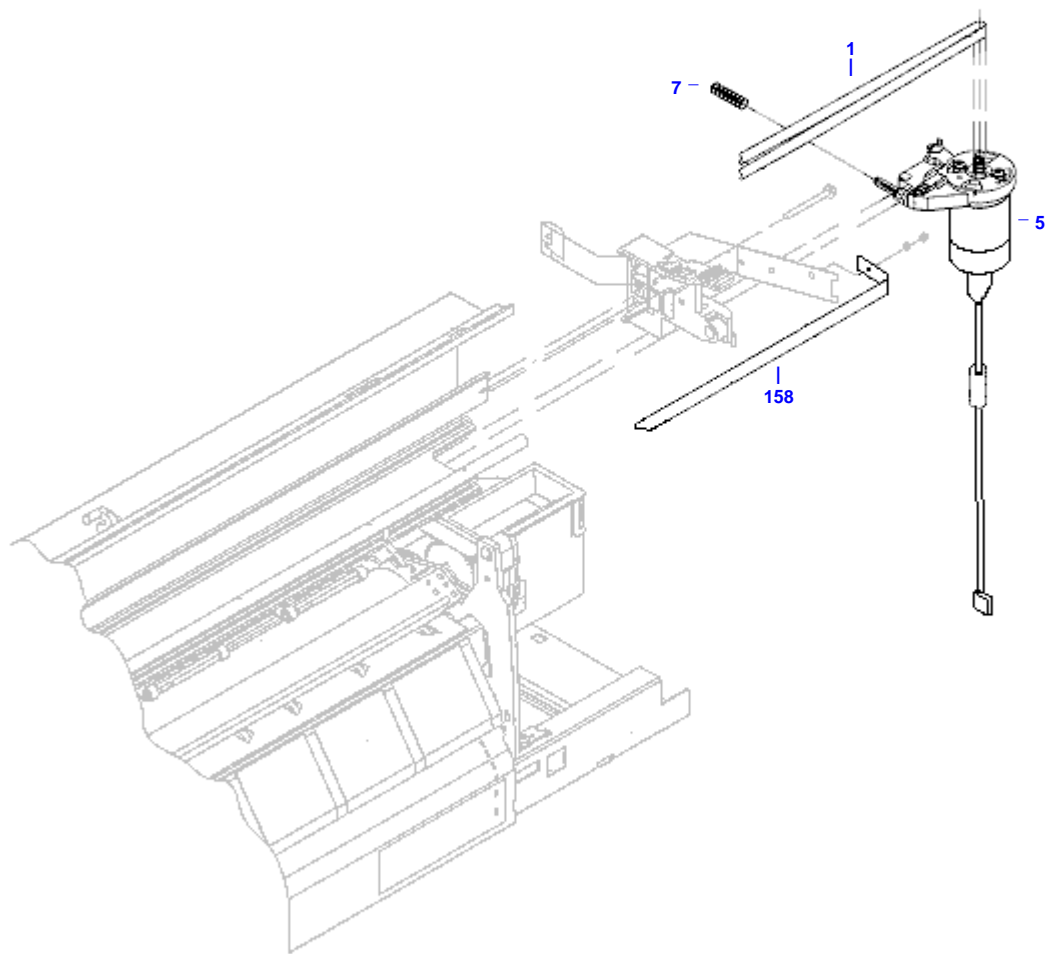
Bail and Overdrive



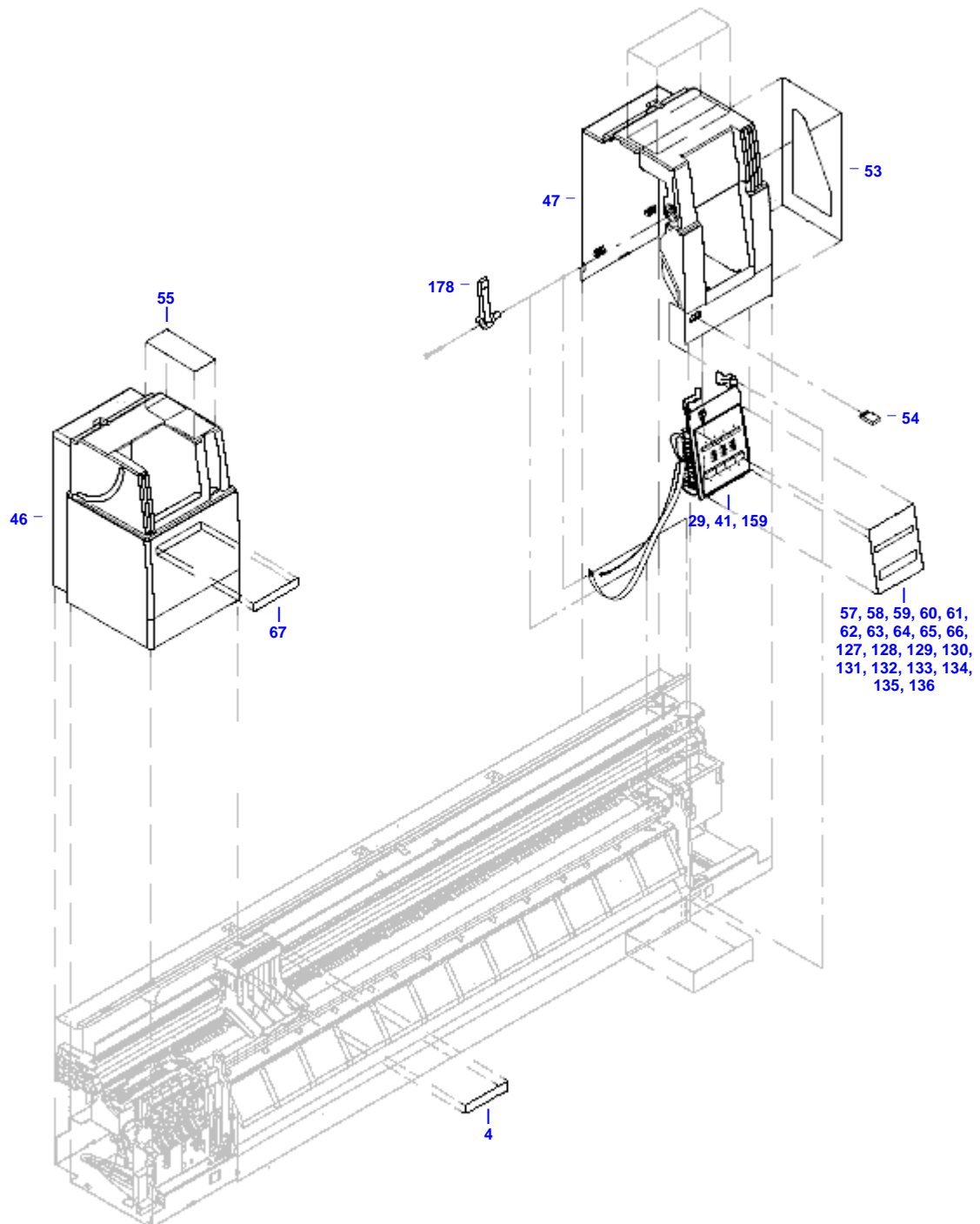
Carriage-Axis (Left End)



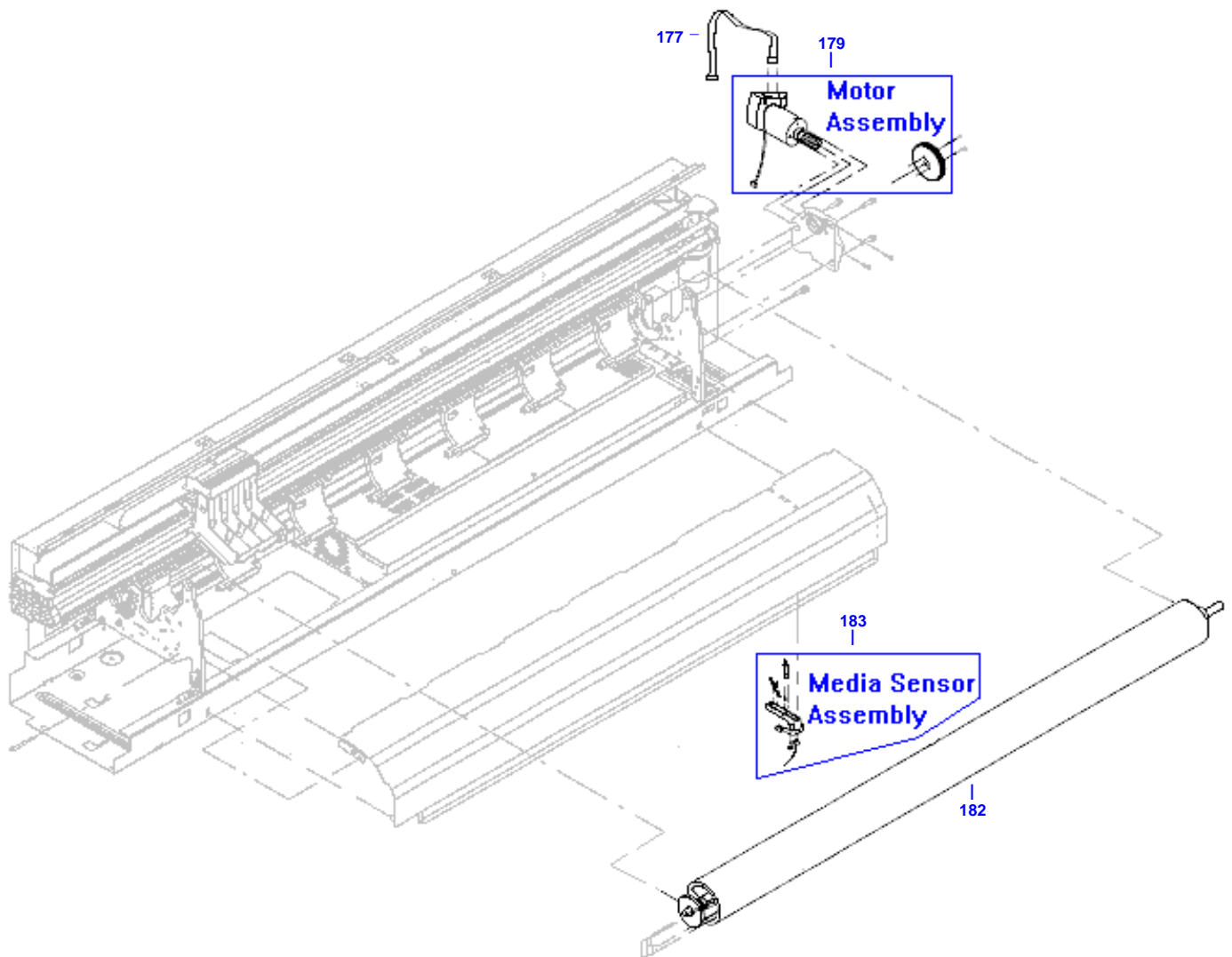
Carriage-Axis (Right End)



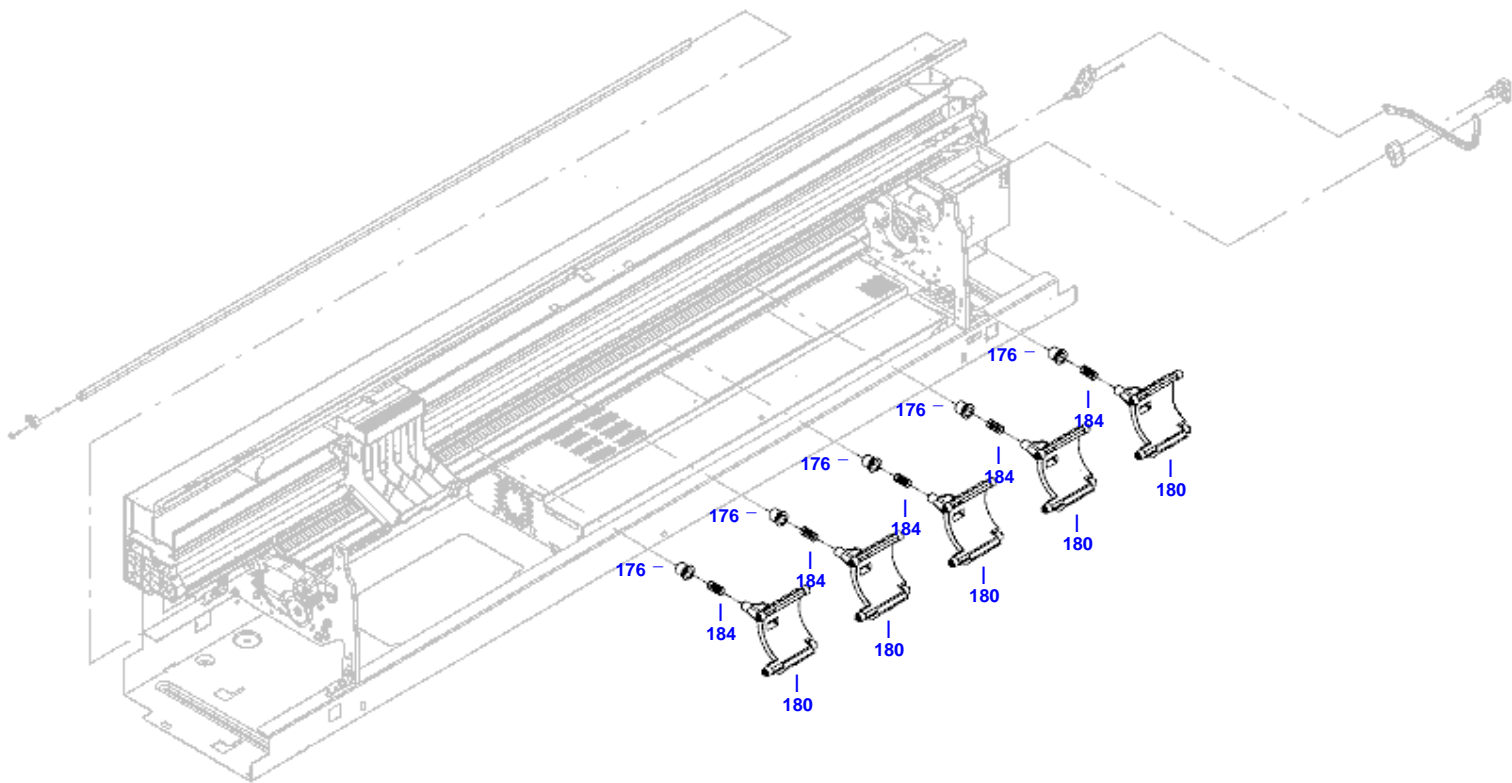
End Covers/Control Panel



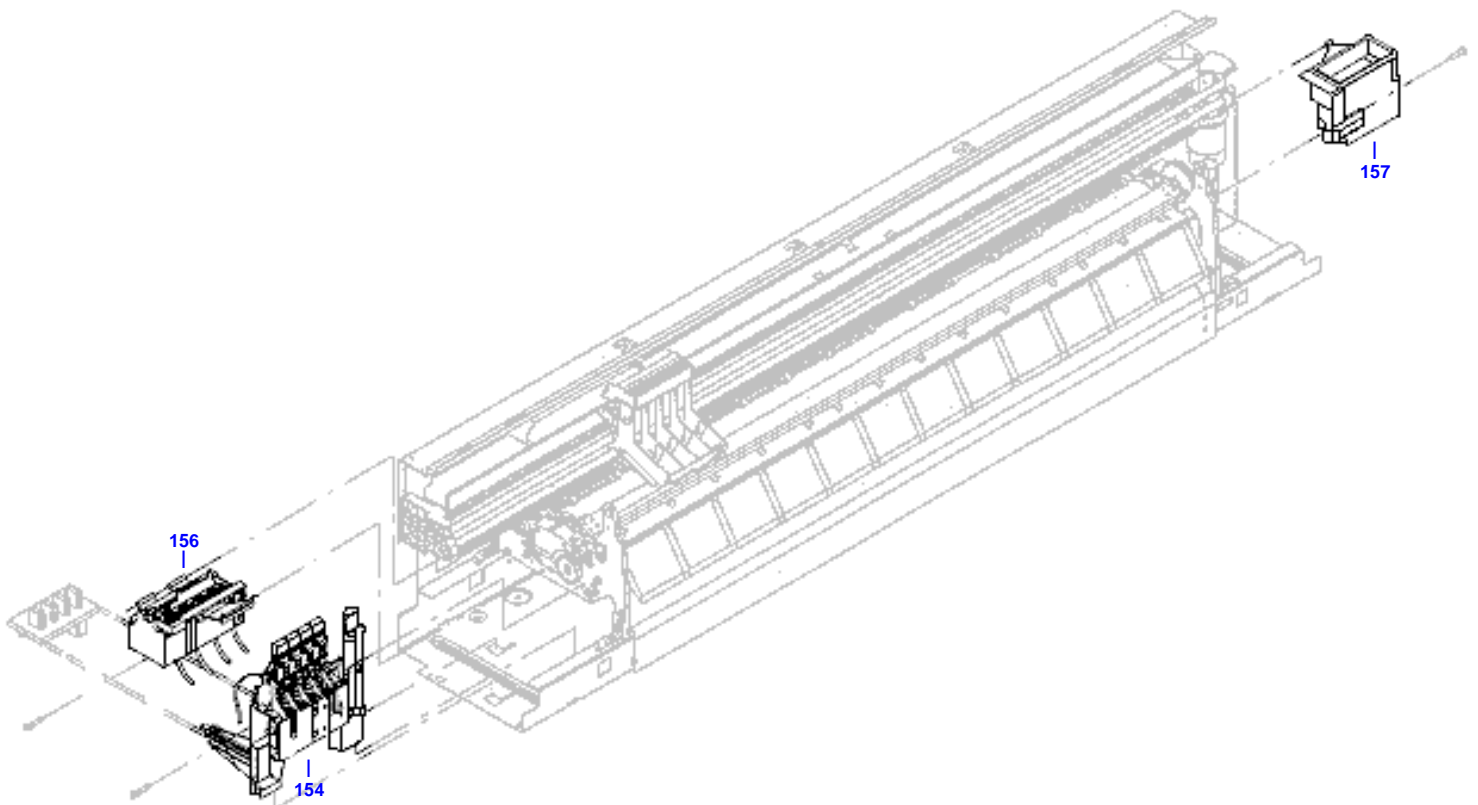
Media Entry Path



Pinch-Arm Assembly

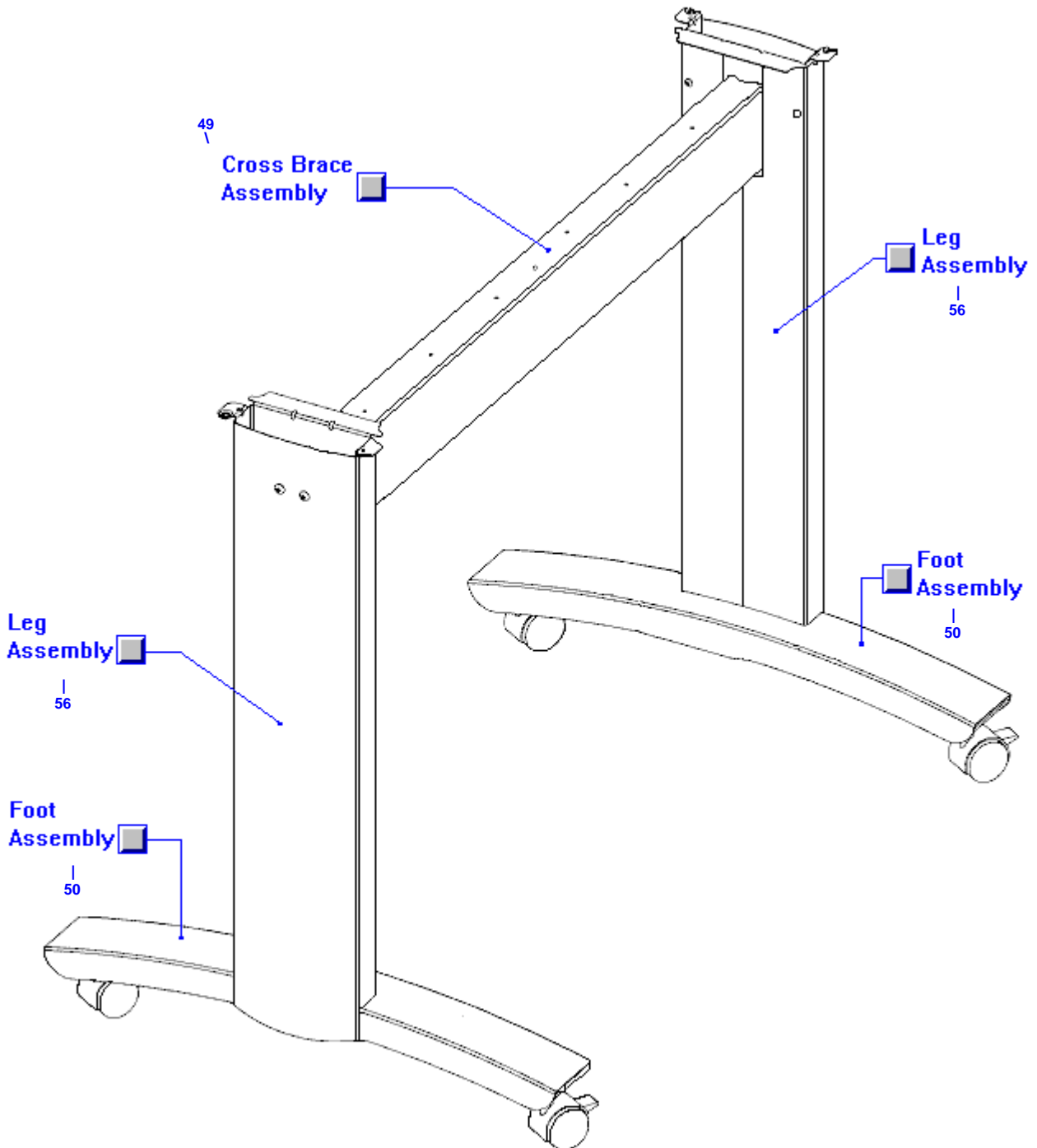


Service Station, Primer, Spittoon

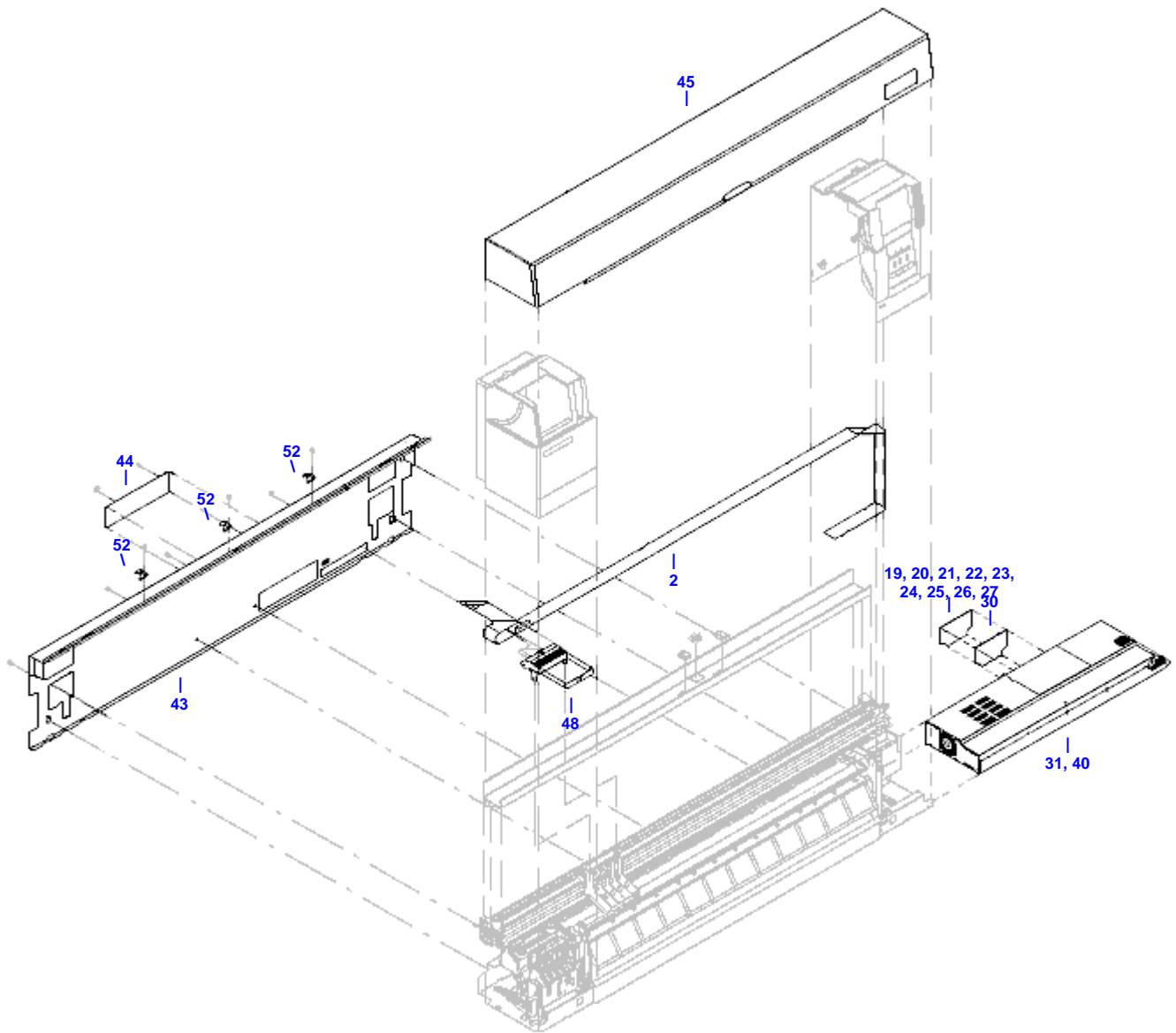




Stand Assembly



Top/Back Covers, Electronics, Trailing Cable





**HP Parts Reference Guide**

<http://www.hp.com/go/parts>

**HP PartSurfer**

<http://partsurfer.hp.com>

**HP Parts Ordering Information**

<http://www.hp.com/go/hpparts>

**HP Parts Questions/Comments**

<http://partsurfer.hp.com/contactus.htm>