

8

Parts and diagrams

Chapter contents

Chapter contents.....	233
Ordering parts and supplies	234
Parts	234
Related documentation and software	234
Supplies	234
Accessories.....	235
Covers.....	238
Internal components.....	240
Tray 2 pickup assembly.....	254

Ordering parts and supplies

Parts

Order replacement parts from the following Web sites:

h30074.www3.hp.com/csn-aux/srvcdlvry/epdo/default/ePDOLogin.asp (technicians)

h20141.www2.hp.com/hpparts (customers)

Related documentation and software

Order documentation and software from the companies listed in the following table; some documentation and software is available at the following Web sites.

Table 8-1. Technical support Web sites

HP Customer Care Online Software drivers, support documentation, and answers to frequently asked questions	www.hp.com/support
HP Technical Training (North America) Classes and schedules	education.itrc.hp.com/TrainerII/en-US/index.jsp

Supplies

Printer supplies are listed in this chapter. Consumables are available directly from HP at the following numbers.

- US: 800-538-8787
- Canada: 800-387-3154 (in Toronto: 416-671-8383)
- United Kingdom: 0734-441212
- Germany: 0130-3322

Contact your local HP Parts Coordinator for other local phone numbers.

Accessories

The following accessories and supplies are available for the HP LaserJet 2400 series.

Product name	Description	Product number	Part number
Paper-handling accessories			
Optional 500-sheet tray and feeder unit	Optional tray to increase paper capacity. Holds Letter, A4, Legal, A5, B5 (JIS), Executive, and 8.5 x 13 inch paper sizes. NOTE This tray is included with the HP LaserJet 2430t, 2430tn, and 2430dtn models.	Q5963A	Q5963A
Print cartridges			
HP LaserJet print cartridge	6,000-page cartridge	Q6511A	Q6511A
HP LaserJet print cartridge	12,000-page cartridge	Q6511X	Q6511X
Memory			
32 MB, 100-pin DDR memory DIMM	Boosts the ability of the printer to handle large or complex print jobs.	Q3982A	Q3982A
48 MB, 100-pin DDR memory DIMM	Boosts the ability of the printer to handle large or complex print jobs.	Q6007A	Q6007A
64 MB, 100-pin DDR memory DIMM	Boosts the ability of the printer to handle large or complex print jobs.	Q2625A	Q2625A
128 MB, 100-pin DDR memory DIMM	Boosts the ability of the printer to handle large or complex print jobs.	Q2626A	Q2626A
256 MB, 100-pin DDR memory DIMM	Boosts the ability of the printer to handle large or complex print jobs.	Q2627A	Q2627A

Product name	Description	Product number	Part number
Cables and interfaces			
Enhanced I/O (EIO) cards. HP Jetdirect print server multiprotocol EIO network cards.	HP Jetdirect 620n Fast Ethernet (10/100Base-TX) print server	J7934A	J7934A
Enhanced I/O (EIO) cards. HP Jetdirect print server multiprotocol EIO network cards.	HP Jetdirect 680n 802.11b wireless internal print server	J6058A	J6058A
Enhanced I/O (EIO) cards. HP Jetdirect print server multiprotocol EIO network cards.	HP Jetdirect Connectivity card for USB, serial, and LocalTalk connections	J4135A	J4135A
Parallel cable	2-meter IEEE 1284-B cable	C2950A	C2950A
Parallel cable	3-meter IEEE 1284-B cable	C2951A	C2951A
USB cable	2-meter A to B cable	C6518A	C6518A

Covers

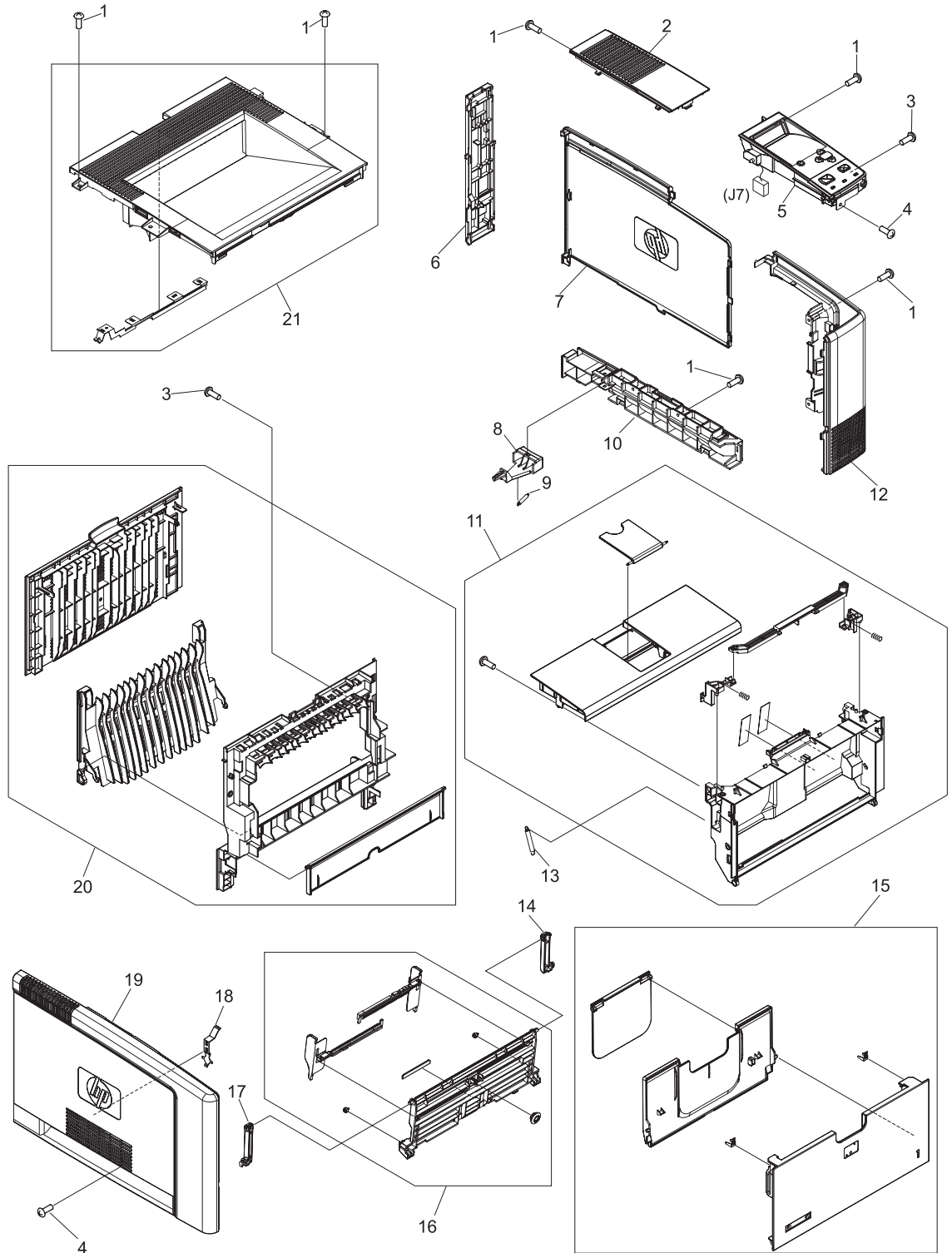


Figure 8-1. Covers

Table 8-2. Covers

Ref	Description	Part number	Qty
1	Screw, tapping, M3x6	XA9-1503-000CN	10
2	Cover, right upper	RC1-4159-000CN	1
3	Screw, tapping, truss head, M4x10	XB4-7401-005CN	3
4	Screw, S, M3x8	XA9-1500-000CN	3
5	Control panel	RM1-1519-000CN	1
6	Cover, right rear	RC1-4156-000CN	1
7	Cover, DIMM	RC1-4150-000CN	1
8	Power switch	RC1-4173-000CN	1
9	Spring, tension	RU5-2406-000CN	1
10	Cover, right lower	RC1-4157-000CN	1
11	Cartridge door assembly	RM1-1503-000CN	1
12	Cover, right front	RC1-4151-000CN	1
13	Spring, tension	RU5-2388-000CN	2
14	Hinge, right	RC1-4058-000CN	1
15	Tray 1 cover assembly	RM1-1523-000CN	1
16	Multi-purpose tray assembly	RM1-1490-000CN	1
17	Hinge, left	RC1-4057-000CN	1
18	Plate	RC1-4135-000CN	1
19	Cover, left	RC1-4148-000CN	1
20	Rear cover assembly	RM1-1517-000CN	1
21	Top cover assembly	RM1-1514-000CN	1

Internal components

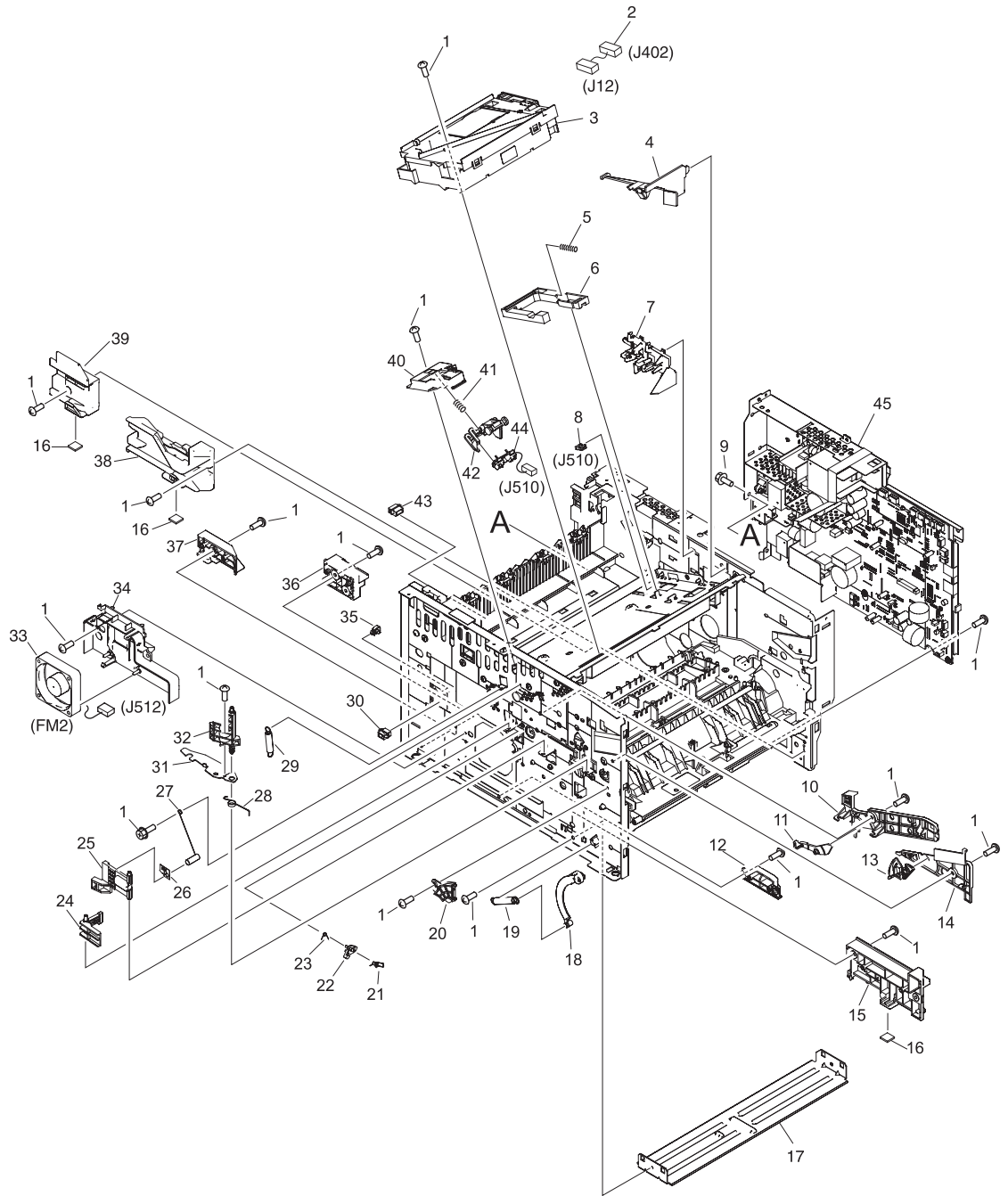


Figure 8-2. Internal components (1 of 4)

Table 8-3. Internal components (1 of 4)

Ref	Description	Part number	Qty
1	Screw, S, M3x8	XA9-1500-000CN	30
2	Cable assembly	RM1-1421-000CN	1
3	Laser/scanner assembly	RM1-1521-000CN	1
4	Duct, scanner	RC1-4128-000CN	1
5	Spring, compression	RU5-2404-000CN	1
6	Link, laser shutter	RC1-4125-000CN	1
7	Duct, cartridge	RC1-4129-000CN	1
8	Clip, cable	WT2-5812-000CN	1
9	Screw, w/washer, M3x6	XB2-7300-605CN	1
10	Guide, cartridge, left upper	RC1-4121-000CN	1
11	Lever, cartridge clamp	RC1-4123-000CN	1
12	Guide, cst., left middle	RC1-3949-000CN	1
13	Lever	RC1-4138-000CN	1
14	Guide, cartridge., left lower	RC1-4122-000CN	1
15	Guide, cst., left front	RC1-3948-000CN	1
16	Foot, rubber	RA0-1003-000CN	3
17	Base plate, front	RC1-3946-000CN	1
18	Arm, door	RC1-4055-000CN	1
19	Spring, tension	RU5-2407-000CN	1
20	Guide, door arm	RC1-4056-000CN	1
21	Spring, torsion	RC1-4059-000CN	1
22	Lever	RC1-4060-000CN	1
23	Spring, torsion	RC1-4061-000CN	1
24	Lever, grounding contact	RC1-4065-000CN	1
25	Lever, grounding contact	RC1-4066-000CN	1
26	Spring, leaf	RC1-4067-000CN	1
27	Spring, compression	RC1-4140-000CN	1
28	Spring, torsion	RU5-2410-000CN	1
29	Spring, tension	RU5-2403-000CN	1
30	Connector, snap tight, bk	VS1-7177-003CN	1
31	Plate, protective	RC1-4136-000CN	1
32	Cam, contact	RC1-4137-000CN	1

Table 8-3. Internal components (1 of 4) (continued)

Ref	Description	Part number	Qty
33	Fan, sub	RK2-0573-000CN	1
34	Holder, sub fan	RC1-4134-000CN	1
35	Clip clamp, wire	WT2-5694-000CN	1
36	Holder	RC1-4009-000CN	1
37	Guide, cst., left rear	RC1-3950-000CN	1
38	Guide, cst., right front	RC1-3951-000CN	1
39	Guide, cst., right rear	RC1-3953-000CN	1
40	Stay, tag holder	RC1-4126-000CN	1
41	Spring, compression	RU5-2405-000CN	1
42	Holder, tag	RC1-4127-000CN	1
43	Connector, snap tight, bk	VS1-7177-004CN	1
44	Cable, memory tag	RM1-1422-000CN	1
45	ECU, 110-127 V	RM1-1516-000CN	1
45	ECU, 220-240 V	RM1-1524-000CN	1
(not shown)	Formatter, network versions	Q3955-60003	1
(not shown)	Formatter, non-network versions	Q3953-60001	1

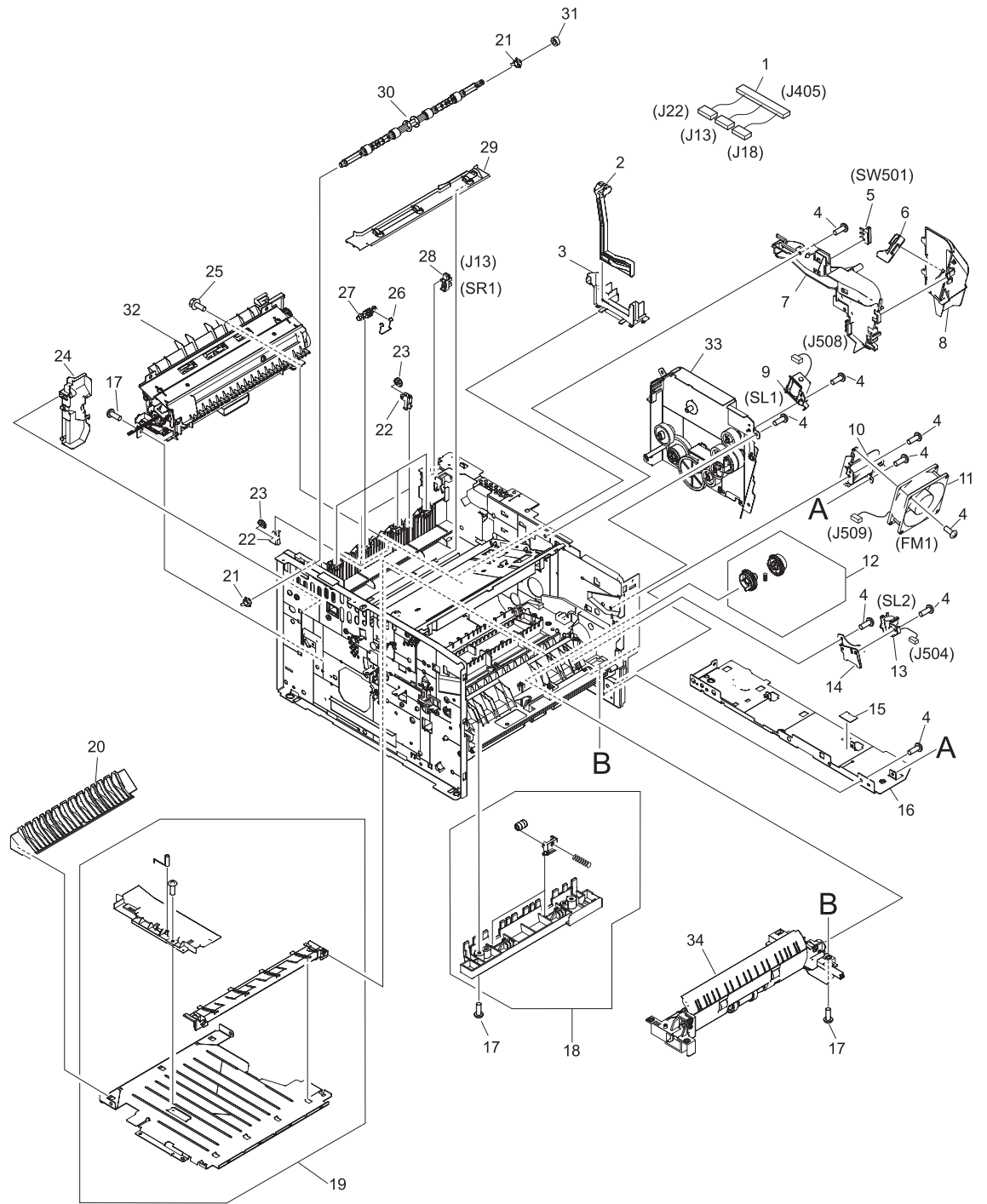


Figure 8-3. Internal components (2 of 4)

Table 8-4. Internal components (2 of 4)

Ref	Description	Part number	Qty
1	Cable assembly	RM1-1425-000CN	1
2	Link, switch	RC1-4170-000CN	1
3	Holder, switch link	RC1-4169-000CN	1
4	Screw, RS, M3x8	XA9-1500-000CN	15
5	Microswitch	RK2-0534-000CN	1
6	Lever, test switch	RC1-4132-000CN	1
7	Duct, arm	RC1-4130-000CN	1
8	Duct, cooling	RC1-4131-000CN	1
9	Solenoid, multi-purpose	RK2-0526-000CN	1
10	Holder, main fan	RC1-4133-000CN	1
11	Fan	RK2-0571-000CN	1
12	Pick-up roller gear assembly	RM1-1482-000CN	1
13	Solenoid, cassette	RK2-0528-000CN	1
14	Stay, solenoid	RC1-3955-000CN	1
15	Sheet	RC1-4179-000CN	1
16	Base plate, right	RC1-4113-000CN	1
17	Screw,tapping,truss head,m4x10	XB4-7401-005CN	9
18	Roller stay assembly	RM1-1485-000CN	1
19	Feed guide assembly, lower	RM1-1507-000CN	1
20	Guide, duplex inlet	RC1-4096-000CN	1
21	Bushing	RC1-3665-000CN	2
22	Holder, roller	RC1-3998-000CN	4
23	Roller, delivery	RC1-3996-000CN	4
24	Cover, inner, rear	RC1-4000-000CN	1
25	Screw, w/washer, M3x6	XB2-7300-605CN	1
26	Spring, torsion	RC1-3995-000CN	4
27	Roller, face-down	RC1-3994-000CN	4
28	Ic, photo interrupter	WG8-5624-000CN	1
29	Guide, cable	RC1-4006-000CN	1
30	Roller, face-down	RL1-0580-000CN	1
31	Gear, 15t	RU5-0375-000CN	1
32	Fuser, 110-127 V	RM1-1401-000CN	1

Table 8-4. Internal components (2 of 4) (continued)

Ref	Description	Part number	Qty
32	Fuser, 220-240 V	RM1-1531-000CN	1
33	Gear assembly	RM1-1412-000CN	1
34	Tray 2 pickup assembly	RM1-1481-000CN	1

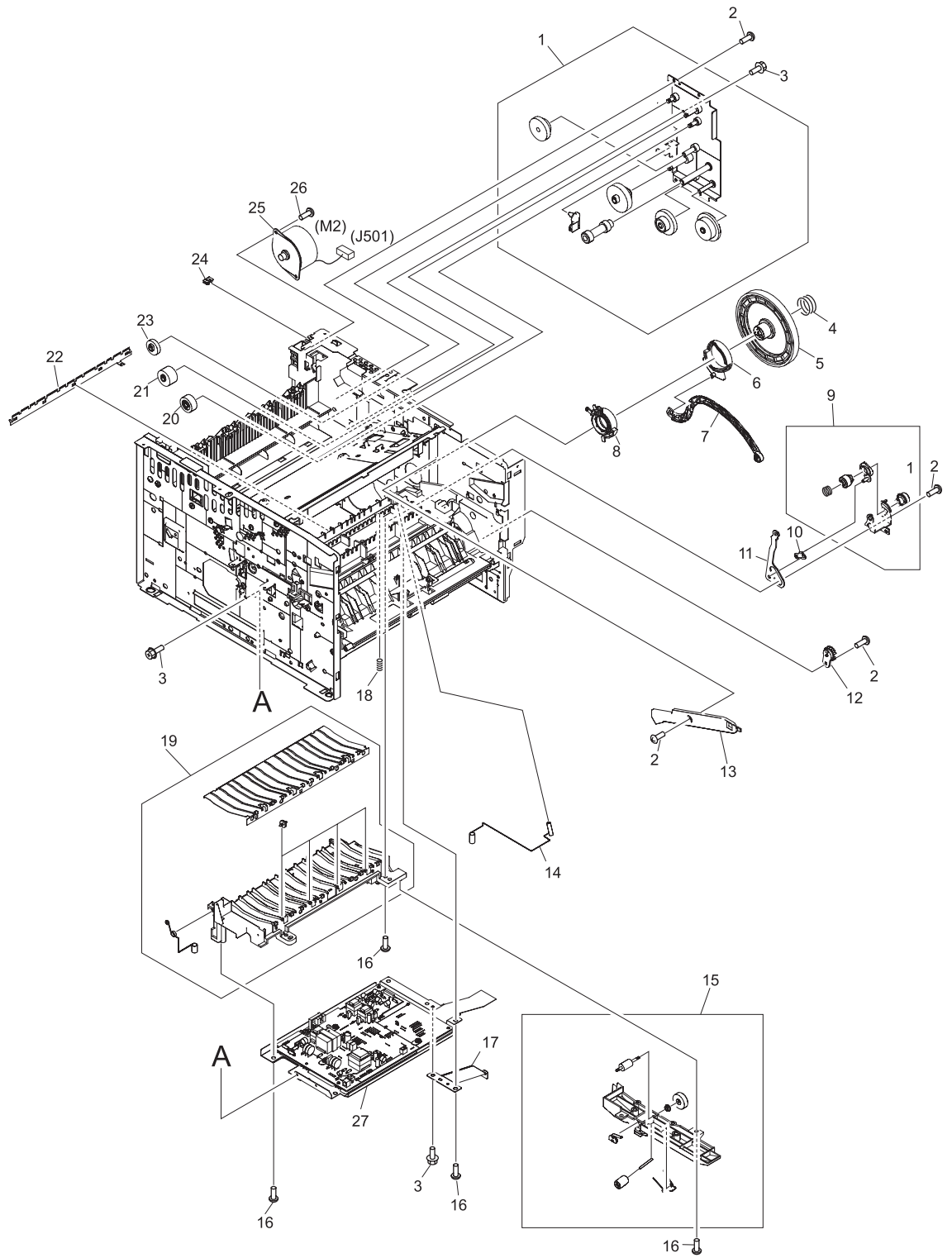


Figure 8-4. Internal components (3 of 4)

Table 8-5. Internal components (3 of 4)

Ref	Description	Part number	Qty
1	Fixing drive side plate assembly	RM1-1500-000CN	1
2	Screw, S, M3x8	XA9-1500-000CN	7
3	Screw, w/washer, M3x6	XB2-7300-605CN	5
4	Spring, compression	RU5-2401-000CN	1
5	Gear, 201t	RU5-0389-000CN	1
6	Cam	RC1-4114-000CN	1
7	Lever, coupling	RC1-4115-000CN	1
8	Bushing, inner	RC1-4105-000CN	1
9	Drive release assembly	RM1-1522-000CN	1
10	Link, drive release	RC1-4117-000CN	1
11	Lever, drive release	RC1-4116-000CN	1
12	Gear, 17t	RA0-1172-000CN	1
13	Guide, cartridge, right upper	RC1-4106-000CN	1
14	Spring, compression	RC1-4185-000CN	1
15	Position guide assembly	RM1-1506-000CN	1
16	Screw, tapping, truss head, M4x10	XB4-7401-005CN	8
17	Plate, grounding	RC1-4085-000CN	1
18	Spring, compression	RU5-2408-000CN	1
19	Feed guide assembly	RM1-1504-000CN	1
20	Gear, 20t	RU5-0378-000CN	1
21	Gear, 28t	RU5-0377-000CN	1
22	Eliminator, static charge	RC1-4025-000CN	1
23	Gear, 19t	RU5-0379-000CN	1
24	Clip, cord	WT2-5056-000CN	1
25	Motor, stepping	RK2-0523-000CN	1
26	Screw, tapping, M3x6	XA9-1503-000CN	1
27	Power supply	RM1-1505-000CN	1

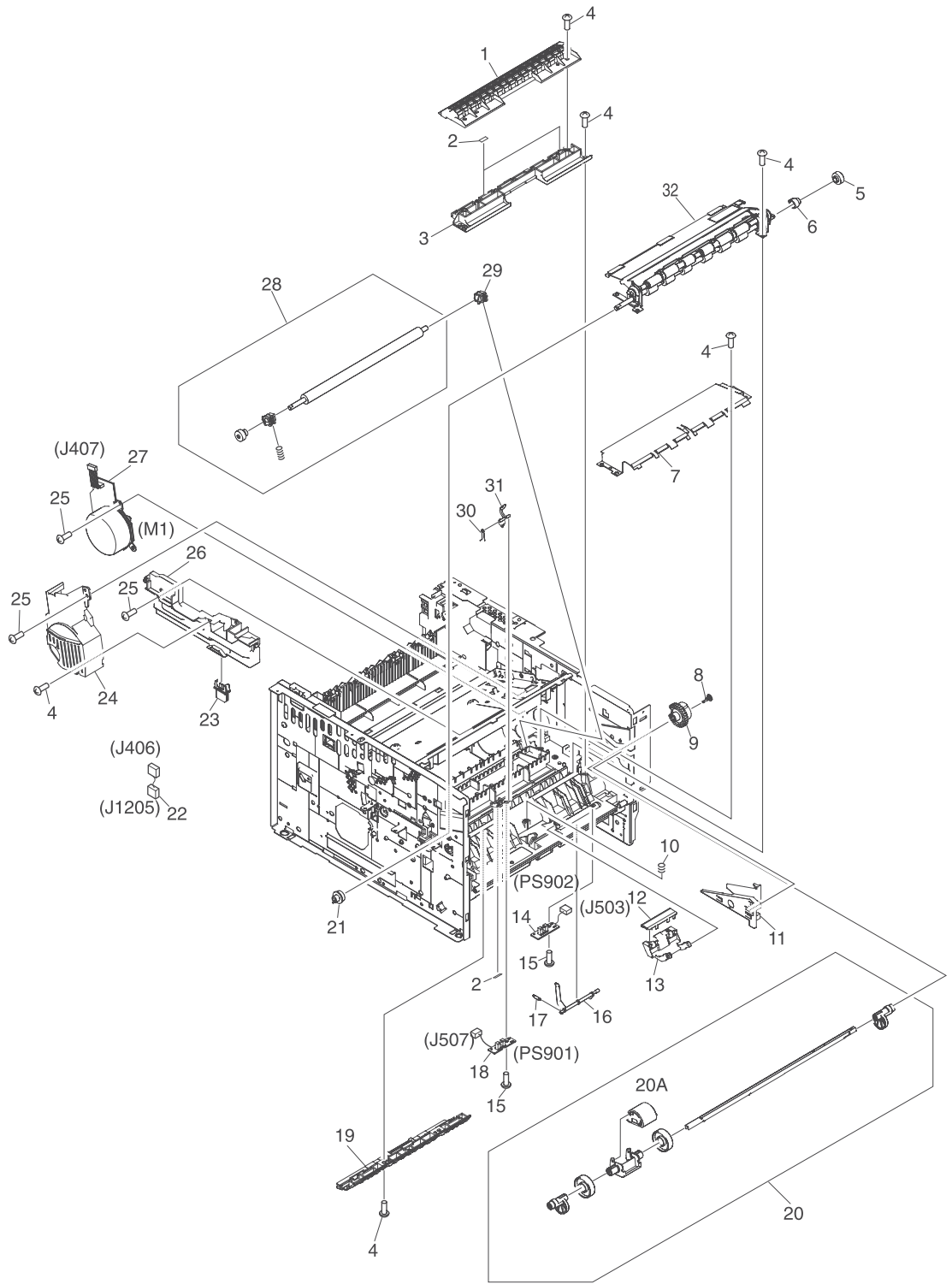


Figure 8-5. Internal components (4 of 4)

Table 8-6. Internal components (4 of 4)

Ref	Description	Part number	Qty
1	Cover, registration	RC1-3936-000CN	1
2	Sheet, static charge	RC1-4070-000CN	1
3	Guide, feed	RC1-3935-000CN	1
4	Screw, tapping, truss head, M4x10	XB4-7401-005CN	13
5	Gear, 14t	RU5-0409-000CN	1
6	Stopper, gear	RC1-4189-000CN	1
7	Plate, transfer, lower	RL1-0581-000CN	1
8	Cap, continuity	RA0-1068-000CN	1
9	Gear, 30t	RU5-0366-000CN	1
10	Spring, compression	RU5-2385-000CN	1
11	Guide, cartridge, right lower	RC1-4107-000CN	1
12	Pad, separation	RC1-0939-000CN	1
13	Arm, pad	RC1-3937-000CN	1
14	Sensor pcb assembly	RM1-1435-000CN	1
15	Screw, p, M3x8	XB4-5300-805CN	2
16	Lever, sensor	RC1-3939-000CN	1
17	Spring, torsion	RU5-2386-000CN	1
18	Registration sensor pcb assembly	RM1-1416-000CN	1
19	Guide	RC1-4083-000CN	1
20	Tray 1 pick-up shaft assembly	RM1-1484-000CN	1
20A	Roller, tray 1 pick-up	RL1-0568-000CN	1
21	Gear, 12t	RU5-0400-000CN	1
22	Cable assembly	RM1-1426-000CN	1
23	Connector, drawer	VS1-7257-007CN	1
24	Cover, main motor	RC1-4108-000CN	1
25	Screw, RS, M3x8	XA9-1500-000CN	7
26	Cover, gear	RC1-3954-000CN	1
27	Motor, dc, 26.2 W	RL1-0587-000CN	1
28	Transfer roller assembly	RM1-1508-000CN	1
29	Bushing, transfer, right	RC1-0922-000CN	1
30	Spring, torsion	RC1-4028-000CN	1
31	Lever, sensor	RC1-4027-000CN	1

Table 8-6. Internal components (4 of 4) (continued)

Ref	Description	Part number	Qty
32	Registration assembly	RM1-1502-000CN	1

Tray 2 pickup assembly

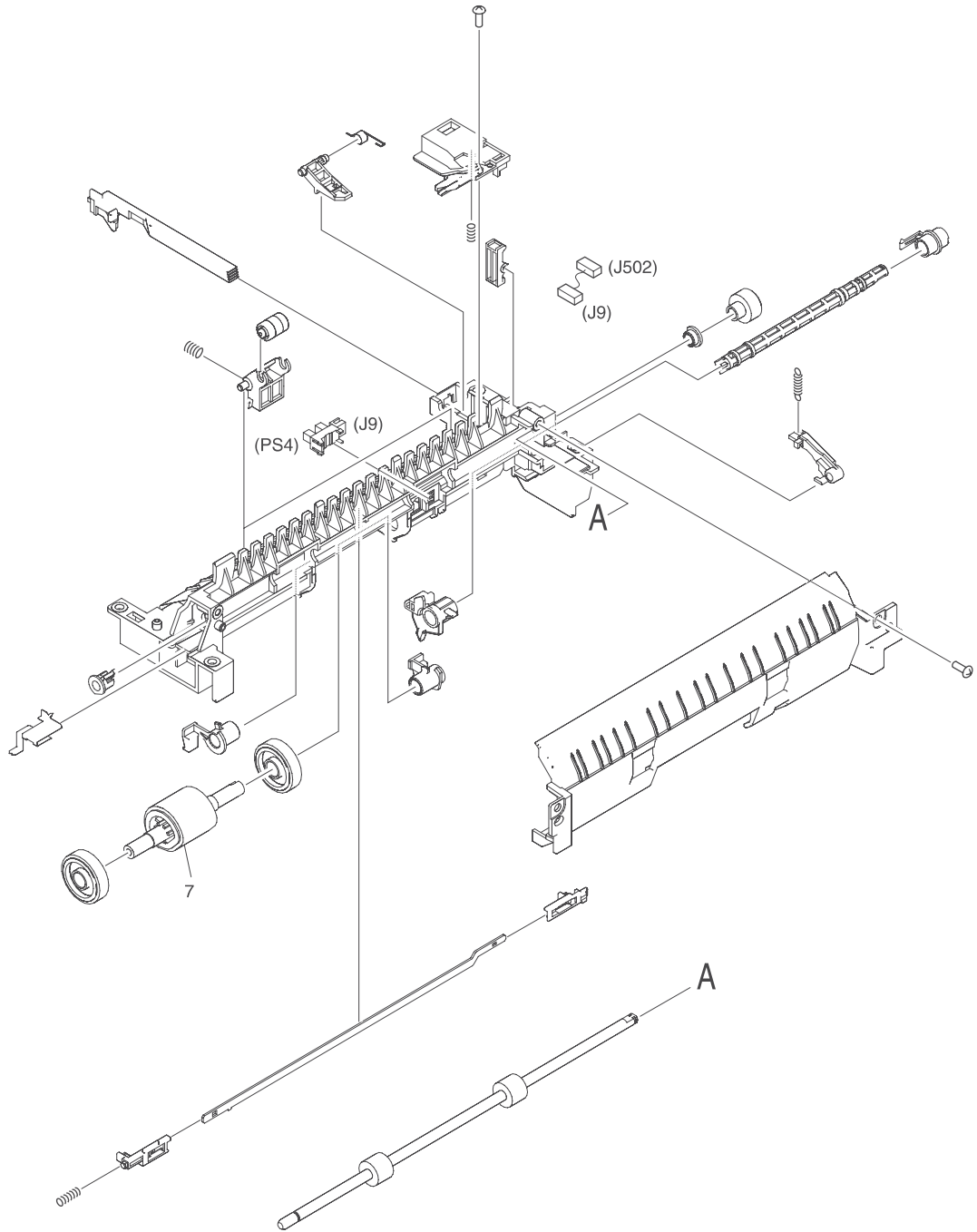


Figure 8-6. Tray 2 pickup assembly

Table 8-7. Tray 2 pickup assembly

Ref	Description	Part number	Qty
	Tray 2 pickup assembly	RM1-1481-000CN	1
7	Tray 2 pickup roller	RL1-0542-000CN	1