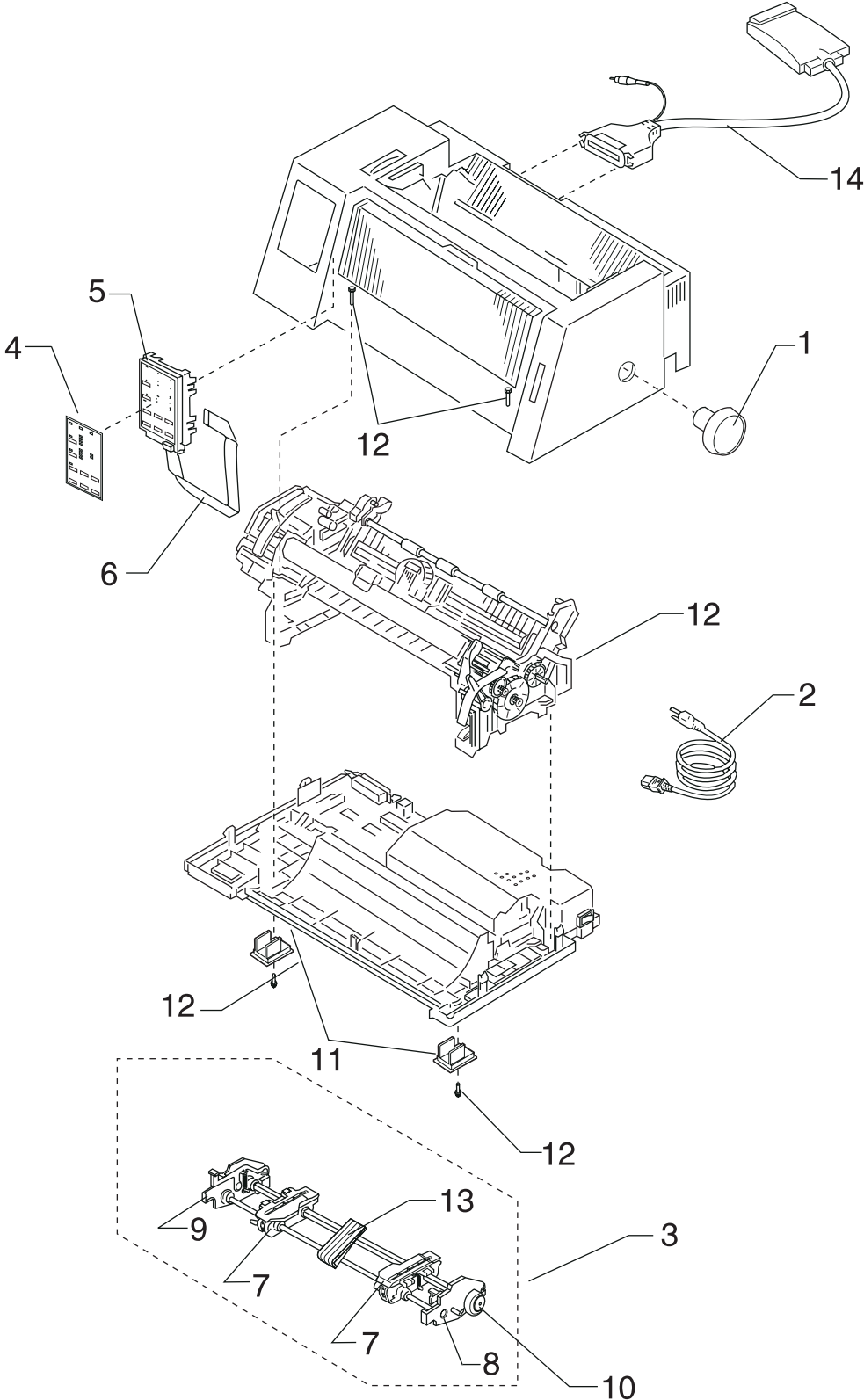
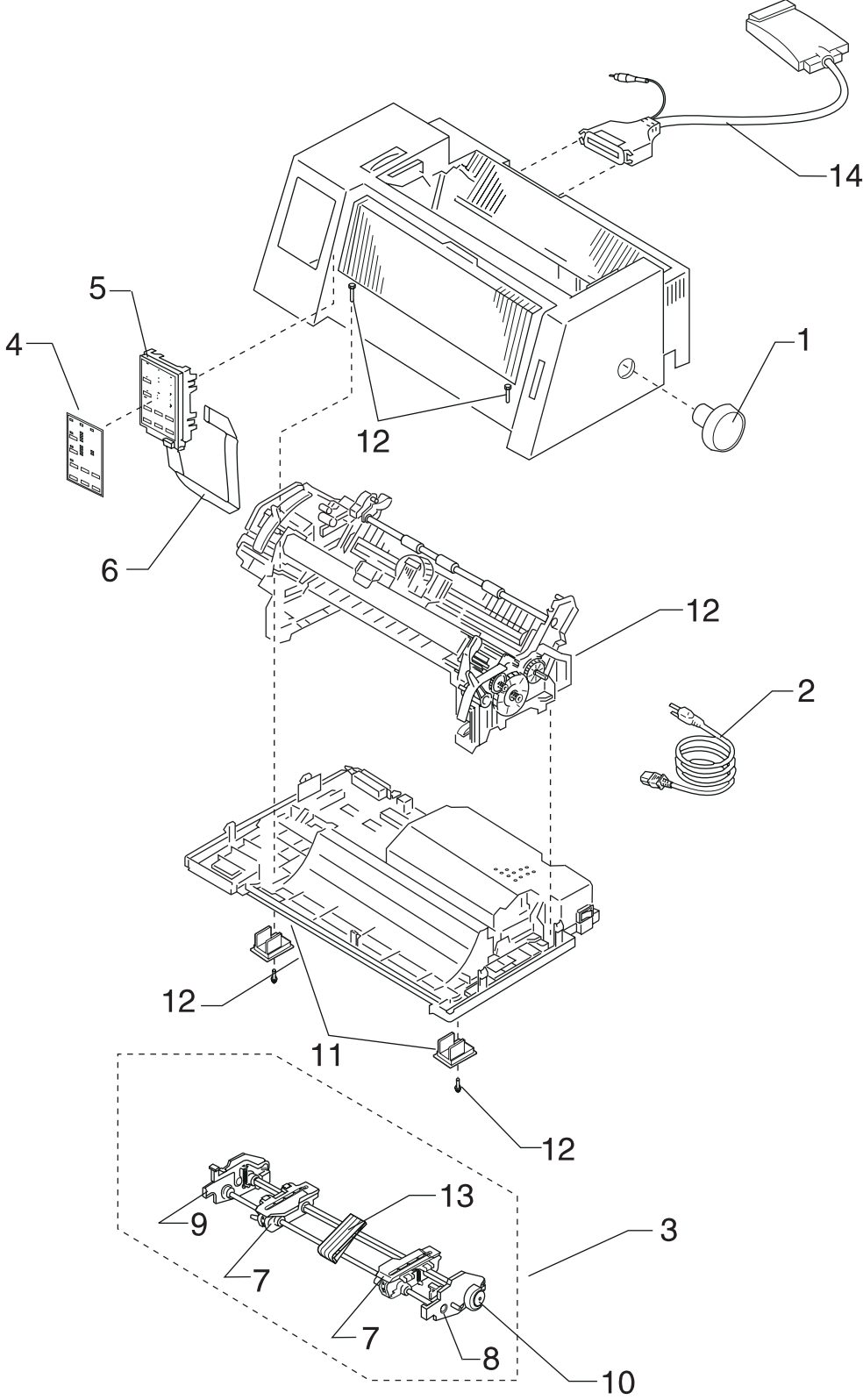


Assembly 1: Major Components



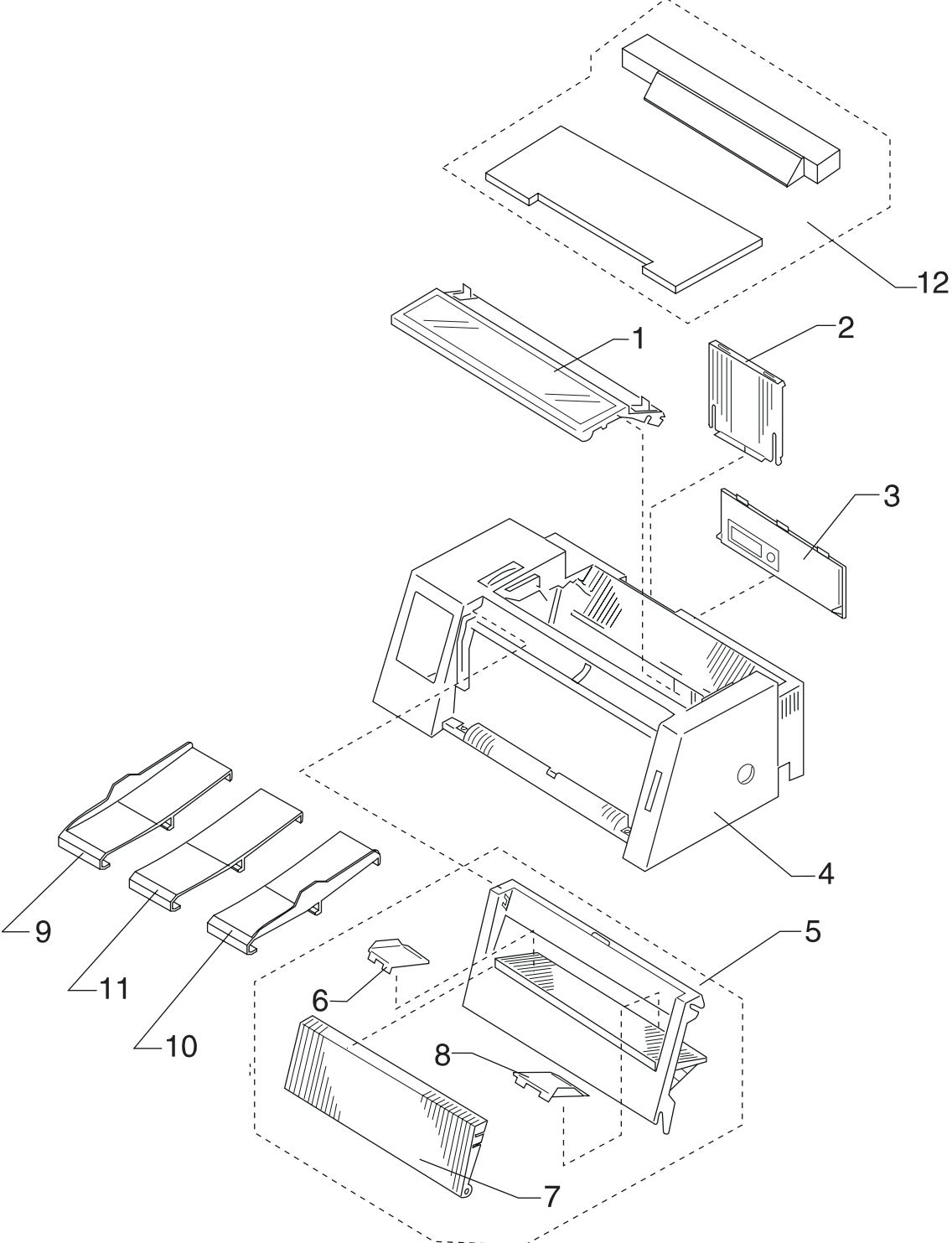
Asm-Index	Part Number	Description
1 -1	79F4784	Paper Advance Knob (23XX-001 and 2390 PS/1)
2	79F4757	Linecord (U.S., Canada, AFE (LV), Saudi Arabia (LV), Central and South America, Mexico)
2	1339519	Linecord (United Kingdom, Malaysia, and Singapore)
2	1339520	Linecord (Germany, France, Spain, Norway, Finland, The Netherlands, Austria, Belgium, Brazil, Greece, Luxembourg, Portugal, Sweden, Turkey, Saudi Arabia (HV), Indonesia)
2	1339525	Linecord (Denmark)
2	1339524	Linecord (Italy and Chile)
2	1339521	Linecord (Israel)
2	1339523	Linecord (South Africa)
2	1339522	Linecord (Switzerland)
2	1339518	Linecord (Australia, New Zealand, Argentina, Paraguay)
2	1339517	Linecord (Peru)
3	79F4791	Tractor Unit (2380-001 & 2390-001)
3	79F4827	Tractor Unit (2381-001 & 2391-001)
3	1333153	Tractor Unit (2380-002, 003 2390-002, 003)
3	1333157	Tractor Unit (2381-002, 003 2391-002, 003)
4	79F4851	Operator Panel Overlay Pack (238X-001)
4	79F4846	Operator Panel Overlay Pack (239X-001)
4	1333212	Operator Panel Overlay Pack (238X-002)
4	1333213	Operator Panel Overlay Pack (239X-002)
4	11A3300	Operator Panel Overlay Pack (238X-003)
4	11A3301	Operator Panel Overlay Pack (239X-003)
5	79F4785	Operator Panel Asm with English Overlay (238X-001)
5	79F4816	Operator Panel Asm with English Overlay (239X-001)
5	1333214	Operator Panel Asm with English Overlay (238X-002)
5	1333215	Operator Panel Asm with English Overlay (239X-002)
5	11A3302	Operator Panel Asm with English Overlay (238X-003)
5	11A3303	Operator Panel Asm with English Overlay (239X-003)
6	95F5314	Operator Panel Flat Cable (23XX-001)
6	1333216	Operator Panel Flat Cable (23XX-002)

Assembly 1: Major Components (Continued)



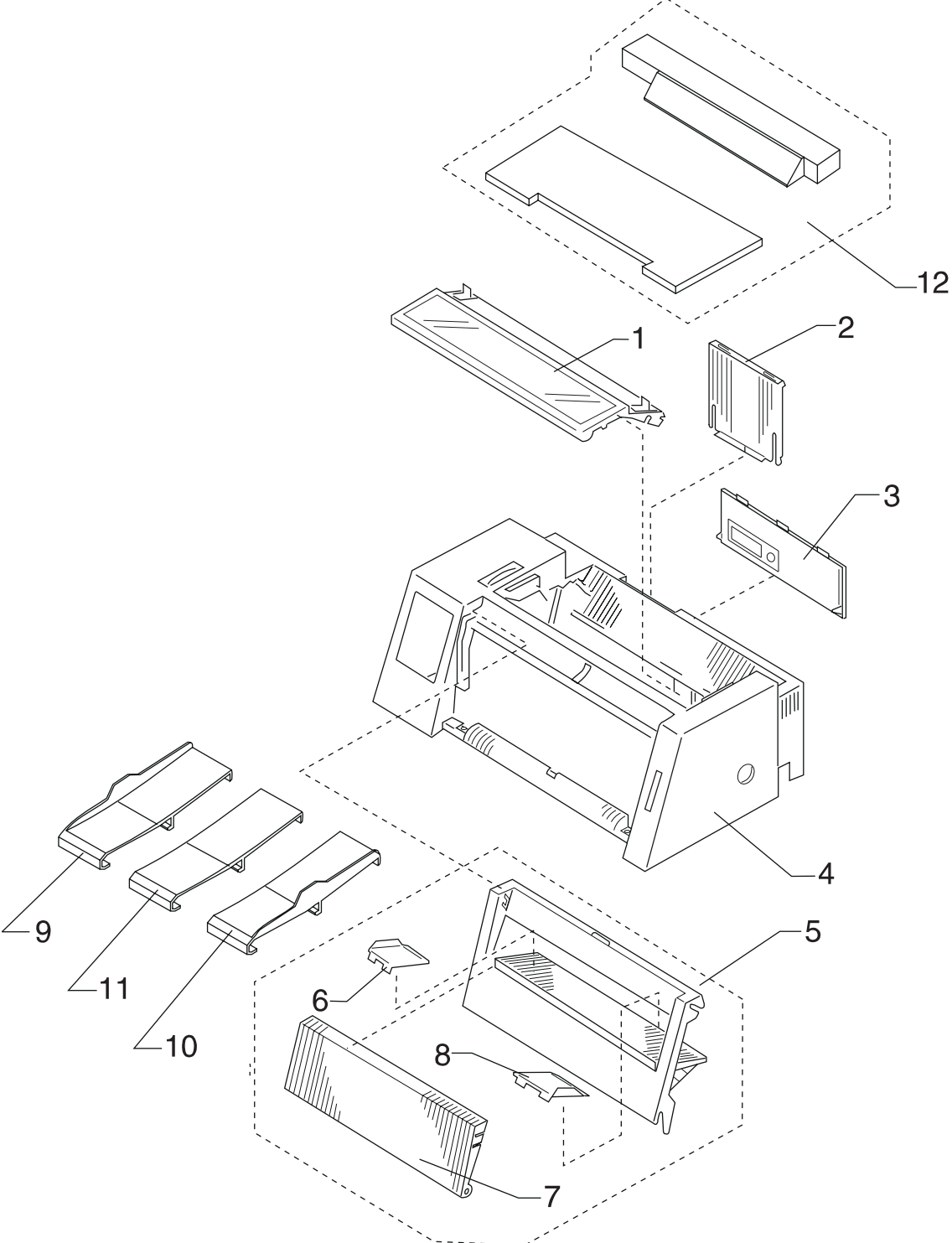
Asm-Index	Part Number	Description
1-7	79F4838	Tractors (L and R) (23XX-001)
7	1333160	Tractors (L and R) (23XX-002, 003)
8	79F4837	Tractor Side Frame (R) (23XX-001)
8	1333159	Tractor Side Frame (R) (23XX-002, 003)
9	79F4836	Tractor Side Frame (L) (23XX-001)
9	1333158	Tractor Side Frame (L) (23XX-002, 003)
10	79F4810	Gear and Bushing Kit (238X-001, 002)
10	79F4806	Gear and Bushing Kit (239X-001, 002)
10	11A3272	Gear and Bushing Kit (238X-003)
10	11A3273	Gear and Bushing Kit (239X-003)
11	79F4770	Side Frame Locking Plates
12	79F4860	Screw, Washer & Clip Kit (23XX-001)
12	1333219	Screw, Washer & Clip Kit (23XX-002)
12	11A3344	Screw, Washer & Clip Kit (23XX-003)
13	79F4830	Tractor Paper Support (2381 & 2391)
14	1368701	Serial Interface Adapter

Assembly 2: Covers



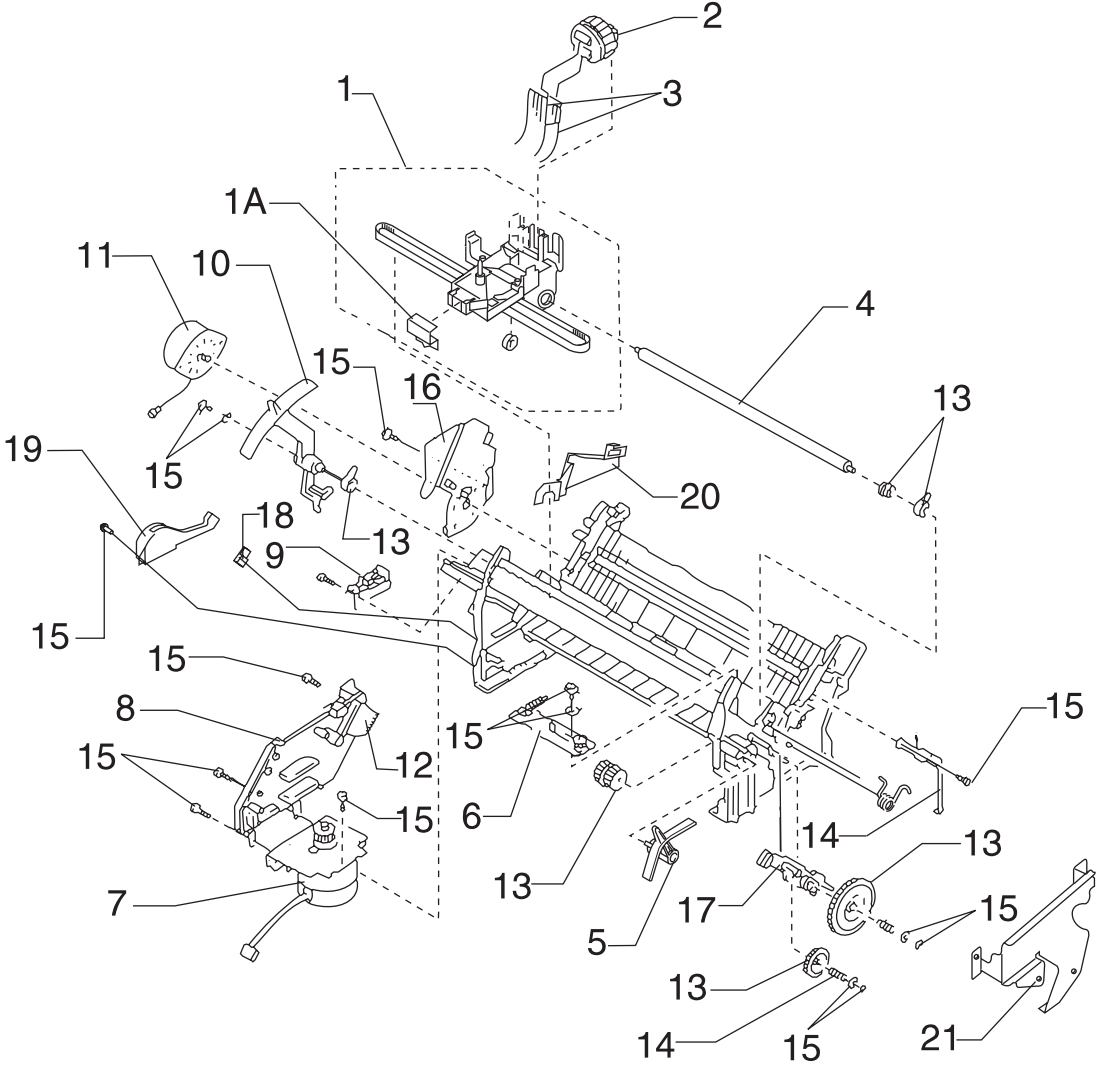
Asm-Index	Part Number	Description
2 -1	79F4780	Ribbon Access Cover Unit (2380-001 & 2390-001)
1	79F4826	Ribbon Access Cover Unit (2381-001 & 2391-001)
1	1333151	Ribbon Access Cover Unit (2380-002, 003 2390-002, 003)
1	1333156	Ribbon Access Cover Unit (2381-002, 003 2391-002, 003)
2	79F4782	Paper Stand
3	79F4781	Rear Cover (23XX-001, 002)
3	11A3304	Rear Cover (23XX-003)
4	79F4856	Top Cover (U.S., Canada and AFE (LV)) 2380-001
4	79F4857	Top Cover (U.S., Canada and AFE (LV)) 2381-001
4	79F4858	Top Cover (U.S., Canada and AFE (LV)) 2390-001
4	79F4859	Top Cover (U.S., Canada and AFE (LV)) 2391-001
4	1180844	Top Cover (2390 PS/1)
4	79F4852	Top Cover (EMEA and AFE (HV)) 2380-001
4	79F4853	Top Cover (EMEA and AFE (HV)) 2381-001
4	79F4854	Top Cover (EMEA and AFE (HV)) 2390-001
4	79F4855	Top Cover (EMEA and AFE (HV)) 2391-001
4	11A3305	Top Cover (with logo kit 2380-002, 003 2390-002, 003)
4	11A3306	Top Cover (with logo kit 2381-002, 003 2391-002, 003)
5	79F4778	Front Cover Unit (2380-001 & 2390-001)
5	79F4824	Front Cover Unit (2381-001 & 2391-001)
5	1333150	Front Cover Unit (2380-002, 003 & 2390-002, 003)
5	1333155	Front Cover Unit (2381-002, 003 & 2391-002, 003)
6	79F4783	L. H. Paper Guide (23XX-001)
6	1333152	L. H. Paper Guide (23XX-002, 003)
7	79F4779	Front Guide Cover (2380 & 2390)
7	79F4825	Front Guide Cover (2381 & 2391)
8	1180863	R. H. Paper Guide (23XX-001)
8	1333167	R. H. Paper Guide (23XX-002, 003)

Assembly 2: Covers (Continued)



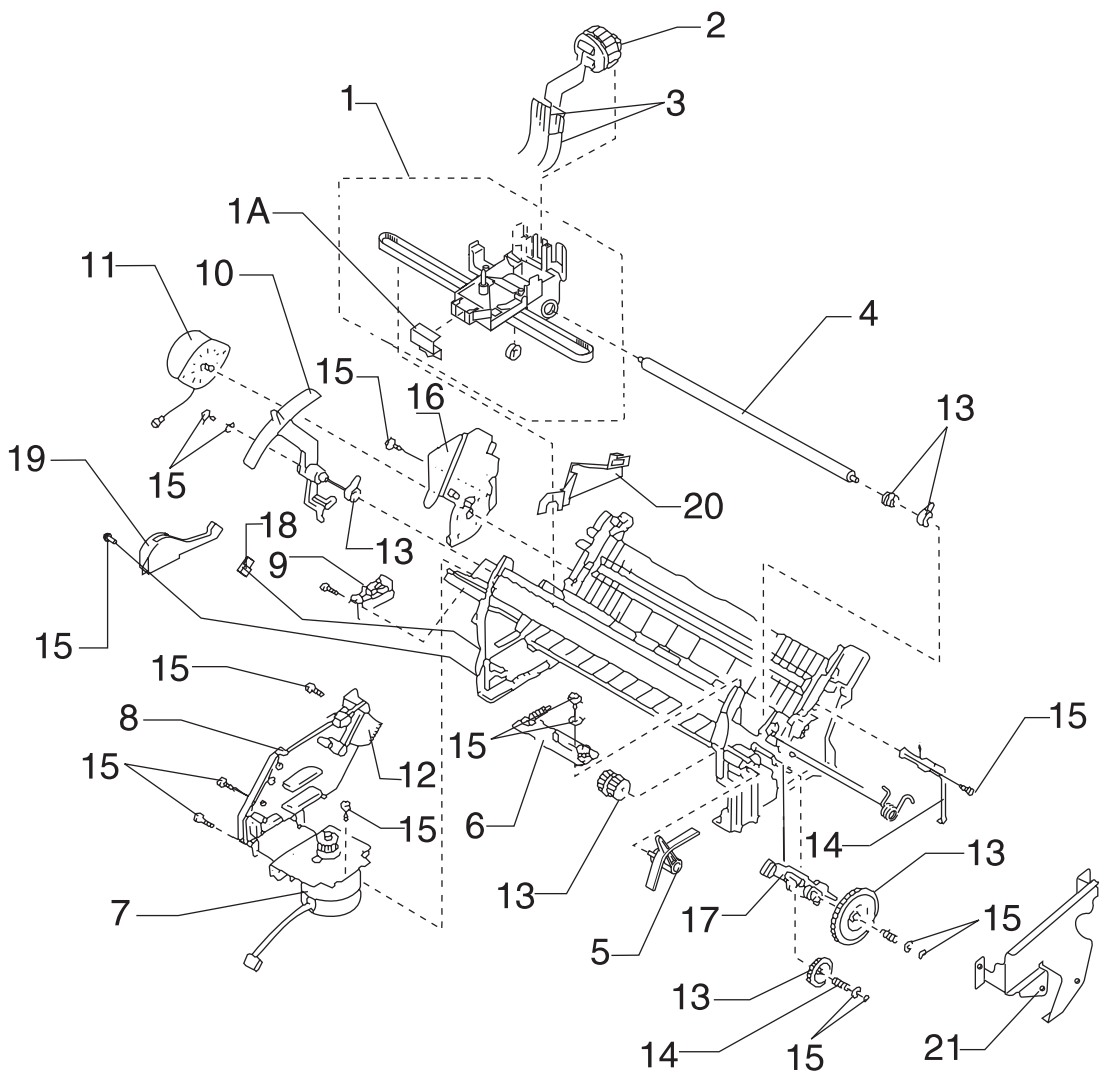
9	1180860	Left Extended Paper Guide (Option) (23XX-001)
9	1333164	Left Extended Paper Guide (Option) (23XX-002, 003)
10	1180861	Right Extended Paper Guide (Option) (23XX-001)
10	1333165	Right Extended Paper Guide (Option) (23XX-002, 003)
11	1180862	Center Extended Paper Guide (Option) (23XX-001)
11	1333166	Center Extended Paper Guide (Option) (23XX-002, 003)
12	1332972	Acoustics Kit (Option) (2380 & 2390)
12	1332973	Acoustics Kit (Option) (2381 & 2391)

Assembly 3: Carrier



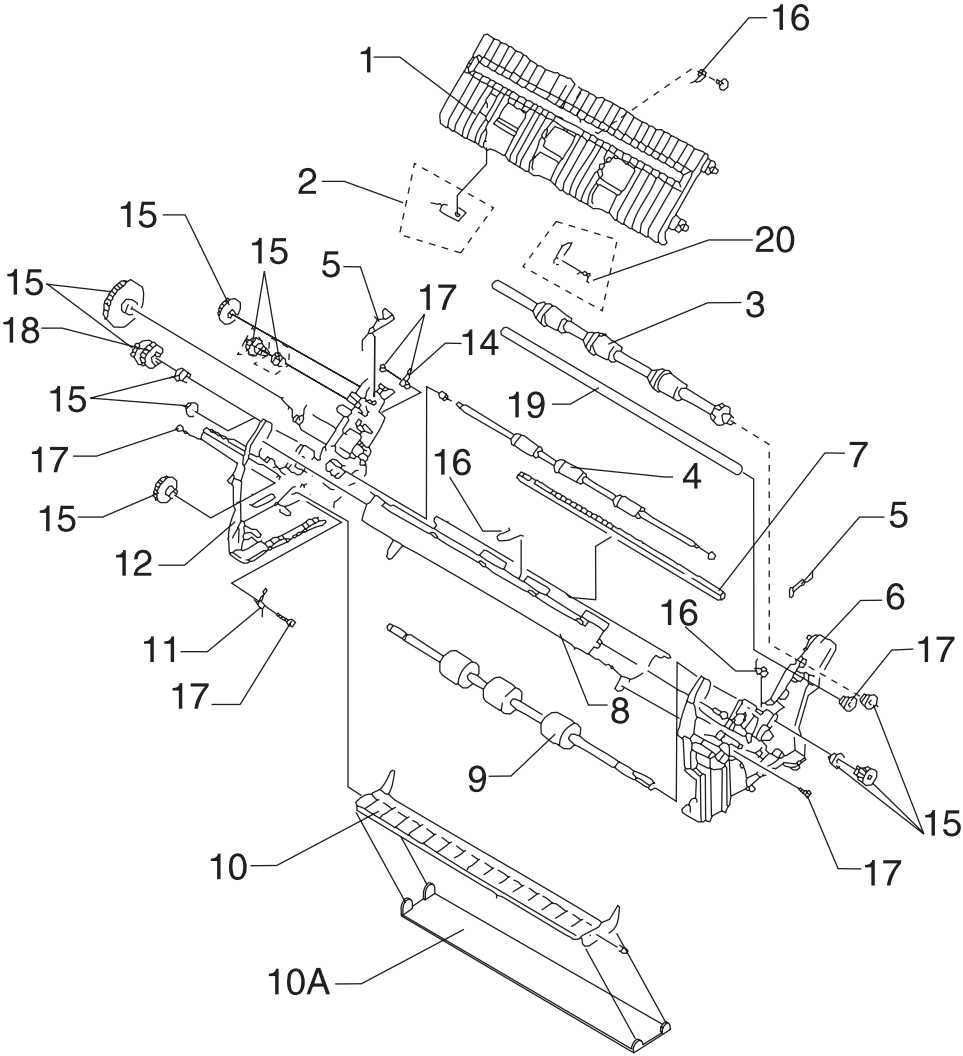
Asm-Index	Part Number	Description
3 -1	79F4796	Carrier Unit (2380-001)
1	79F4820	Carrier Unit (2381-001)
1	79F4848	Carrier Unit (2390-001)
1	79F4861	Carrier Unit (2391-001)
1	1333195	Carrier Unit (2380-002, 003)
1	1333196	Carrier Unit (2381-002, 003)
1	1333197	Carrier Unit (2390-002, 003)
1	1333198	Carrier Unit (2391-002, 003)
1A	1333234	Carrier Roller Set
2	79F4792	Printhead (2380 & 2381)
2	79F4818	Printhead (239X-001)
2	1333220	Printhead (239X-002, 003)
3	79F4793	Printhead Cable (2380)
3	79F4819	Printhead Cable (2381)
3	79F4828	Printhead Cable (2390)
3	79F4829	Printhead Cable (2391)
4	1180877	Carrier Shaft (2380 & 2390)
4	1180878	Carrier Shaft (2381 & 2391)
5	79F4814	Paper Select Lever (23XX-001)
5	1333154	Paper Select Lever (23XX-002, 003)
6	79F4805	Tension Pulley Plate Assembly (23XX-001, 002)
6	11A3346	Tension Pulley Plate Assembly (23XX-003)
7	11A3186	Carrier Motor Assembly (238X-001)
7	1333221	Carrier Motor Assembly (238X-002)
7	79F4817	Carrier Motor Assembly (239X-001)
7	1333222	Carrier Motor Assembly (239X-002)
7	11A3313	Carrier Motor Assembly (23XX-003)
8	79F4754	Sub Logic Board Assembly (238X-001)
8	1333223	Sub Logic Board Assembly (238X-002, 003)
8	79F4764	Sub Logic Board Assembly (239X-001)
8	1333224	Sub Logic Board Assembly (239X-002, 003)

Assembly 3: Carrier (Continued)



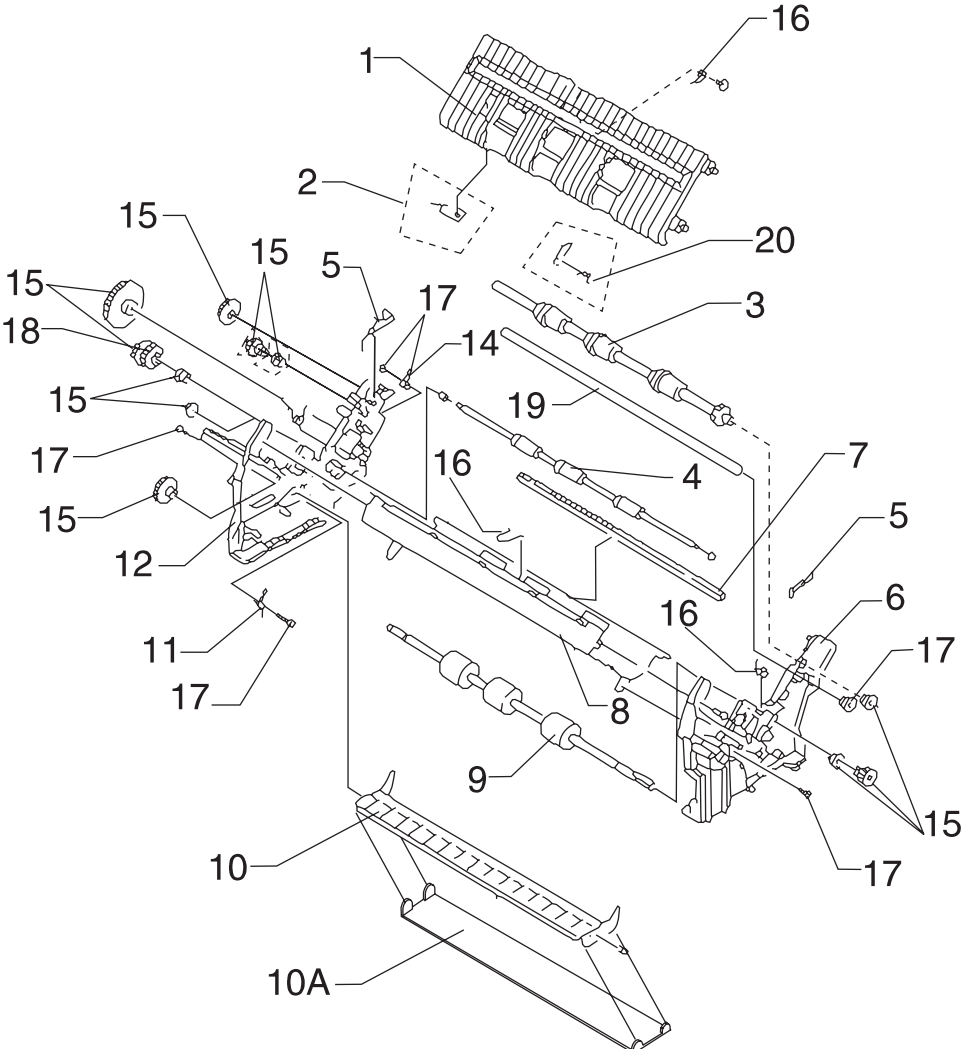
Asm-Index	Part Number	Description
3- 9	79F4795	Home Position Sensor (23XX-001)
9	1333236	Home Position Sensor (23XX-002, 003)
10	1180988	Form Thickness Lever (23XX-001)
10	1333168	Form Thickness Lever (23XX-002, 003)
11	79F4789	Paper Feed Motor (23XX-001, 002)
11	11A3307	Paper Feed Motor (23XX-003)
12	1333225	Short Flexible Cable (238X-002, 003)
12	95F5315	Short Flexible Cable (All others)
13	79F4810	Gear and Bushing Kit (238X-001, 002)
13	79F4806	Gear and Bushing Kit (239X-001, 002)
13	11A3272	Gear and Bushing Kit (238X-003)
13	11A3273	Gear and Bushing Kit (239X-003)
14	79F4811	Spring Kit (23XX-001, 2381-002, 2391-002)
14	1333228	Spring Kit (2380-002 & 2390-002)
14	11A3308	Spring Kit (2380-003 & 2390-003)
14	11A3309	Spring Kit (2381-003 & 2391-003)
15	79F4860	Screw, Washer and Clip Kit (23XX-001)
15	1333219	Screw, Washer and Clip Kit (23XX-002)
15	11A3344	Screw, Washer and Clip Kit (23XX-003)
NS	1333229	ESD Kit (238X-002, 003)
NS	1333230	ESD Kit (239X-002, 003)
16	79F4797	Feed Motor Plate
17	79F4800	Release Slider Cam (23XX-001, 23XX-002)
17	11A3310	Release Slider Cam (23XX-003)
17A	11A3311	Sub Slider Cam (23XX-003)
18	79F4794	Head Gap Sensor (238X-001)
19	1333237	Head Gap Sensor Assembly (23XX-002, 003)
20	1333235	Support Plate, left side (23XX-002, 003)
21	11A3271	Shaft Support Plate (23XX-003)

Assembly 4: Paper Guide / Platen / Feed Roller



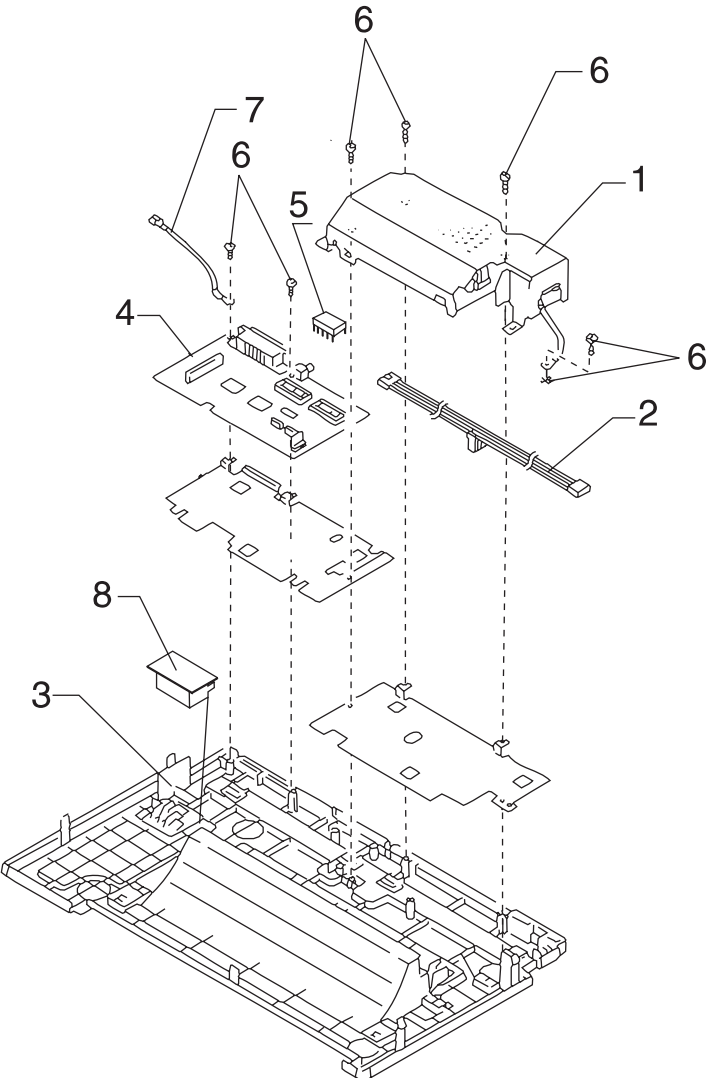
Asm-Index	Part Number	Description
4 -1	79F4803	Paper Guide/Platen Assembly (2380/2390-001)
1	1333231	Paper Guide/Platen Assembly (2380/2390-002, 003)
1	1333232	Paper Guide/Platen Assembly (2381/2391-001)
1	1333232	Paper Guide/Platen Assembly (2381/2391-002, 003)
2	79F4786	Paper Empty Sensor
3	79F4798	Feed Roller (Upper) (2380-001 & 2390-001)
3	79F4831	Feed Roller (Upper) (2381-001 & 2391-001)
3	1333226	Feed Roller (Upper) (2380-002, 003 & 2390-002, 003)
3	1333227	Feed Roller (Upper) (2381-002, 003 & 2391-002, 003)
4	79F4799	Pinch Roller (Lower) (2380 & 2390)
4	79F4832	Pinch Roller (Lower) (2381 & 2391)
5	79F4808	Pull Tractor Actuator Kit
6	1180927	Side Frame (Right) with Slider Cam (23XX-001, 002)
6	11A3312	Side Frame (Right) (23XX-003)
7	79F4802	Ribbon Drive Rack Gear (2380 & 2390)
7	79F4834	Ribbon Drive Rack Gear (2381 & 2391)
8	1368031	Carrier Plate (2380 & 2390)
8	1368032	Carrier Plate (2381 & 2391)
9	79F4801	Feed Roller (Lower) (2380 & 2390)
9	79F4833	Feed Roller (Lower) (2381 & 2391)
10	79F4809	Paper Separator (2380 & 2390)
10	79F4839	Paper Separator (2381 & 2391)
10A	1368003	Label Guide Bar (2380 & 2390)
10A	1368004	Label Guide Bar (2381 & 2391)
11	79F4788	Paper Select Sensor
12	79F4812	Side Frame (Left) (23XX-001)
12	1333233	Side Frame (Left) (23XX-002)
12	11A3345	Side Frame (Left) (23XX-003)
14	79F4787	Pull Tractor Sensor

Assembly 4: Paper Guide / Platen / Feed Roller (Cont.)



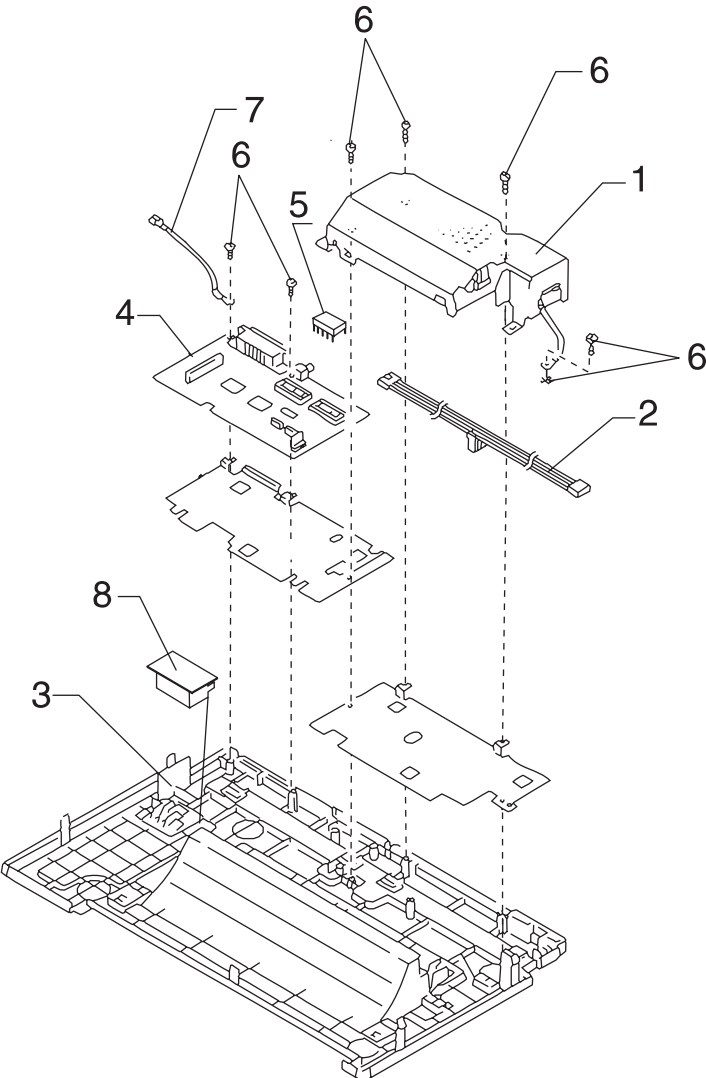
Asm-Index	Part Number	Description
4 -15	79F4810	Gear and Bushing Kit (2380-001, 002 & 2381-001, 002)
15	79F4806	Gear and Bushing Kit (2390-001, 002 & 2391-001, 002)
15	11A3272	Gear and Bushing Kit (238X-003)
15	11A3273	Gear and Bushing Kit (239X-003)
16	79F4811	Spring Kit (23XX-001, 2381-002, 2391-002)
16	1333228	Spring Kit (2380-002 & 2390-002)
16	11A3308	Spring Kit (2380-003 & 2390-003)
16	11A3309	Spring Kit (2381-003 & 2391-003)
17	79F4860	Screw, Washer, and Clip Kit (23XX-001)
17	1333219	Screw, Washer, and Clip Kit (23XX-002)
17	11A3344	Screw, Washer, and Clip Kit (23XX-003)
18	95F3675	Idler Gear (238X-001, 002)
18	95F3676	Idler Gear (239X-001, 002)
18	11A3274	Idler Gear (238X-003)
18	11A3275	Idler Gear (239X-003)
19	1333238	Frame Support Shaft (2380-002, 003 2390-002, 003)
19	1333239	Frame Support Shaft (2381-002, 003 2391-002, 003)
20	1333240	Top of Form Sensor (2380-002, 003 2390-002, 003)
20	1333241	Top of Form Sensor (2381-002, 003 2391-002, 003)

Assembly 5: Electronics



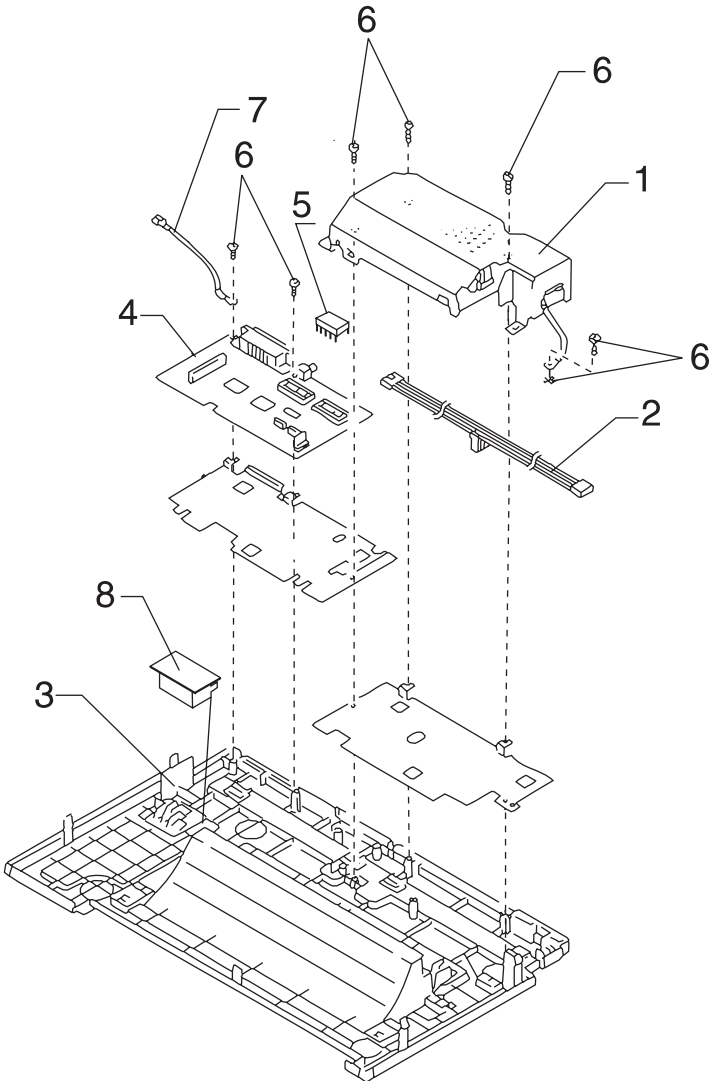
Asm-Index	Part Number	Description
5 -1	79F4755	Power Supply Unit (100-127 V ac, 23XX-001)
1	1333242	Power Supply Unit (100-127 V ac, 23XX-002, 003)
1	79F4756	Power Supply Unit (200-240 V ac, 23XX-001)
1	1333243	Power Supply Unit (200-240 V ac, 23XX-002, 003)
NS	1368071	Fuse Kit, Power Supply, all LVPS
NS	1333268	Fuse Kit, Power Supply, HVPS (23XX-001)
NS	1333269	Fuse Kit, Power Supply, HVPS (23XX-002, 003)
2	79F4815	Power Supply Cable (2380 & 2390)
2	79F4850	Power Supply Cable (2381 & 2391)
3	79F4776	Base (2380-001 LV)
3	79F5217	Base (2380-001 HV)
3	79F4777	Base (2381-001 LV)
3	79F5218	Base (2381-001 HV)
3	79F4822	Base (2390-001 LV)
3	79F4844	Base (2390-001 HV)
3	79F4823	Base (2391-001 LV)
3	79F5245	Base (2391-001 HV)
3	1333206	Base (2380-002, 003 2390-002, 003)
3	1333207	Base (2381-002, 003 2391-002, 003)
3	1180962	Base (2390 PS/1)
4	1180968	Main Logic Board W/ EPROM (2380-001 LV)
4	1180969	Main Logic Board W/ EPROM (2380-001 HV)
4	1333252	Main Logic Board W/ EPROM (2380-002 LV)
4	1333256	Main Logic Board W/ EPROM (2380-002 HV)
4	1180970	Main Logic Board W/ EPROM (2381-001 LV)
4	1180971	Main Logic Board W/ EPROM (2381-001 HV)
4	1333254	Main Logic Board W/ EPROM (2381-002 LV)
4	1333258	Main Logic Board W/ EPROM (2381-002 HV)
4	1180991	Main Logic Board W/ EPROM (2390-001 LV, 2390 PS/1)
4	1180992	Main Logic Board W/ EPROM (2390-001 HV)

Assembly 5: Electronics (Continued)



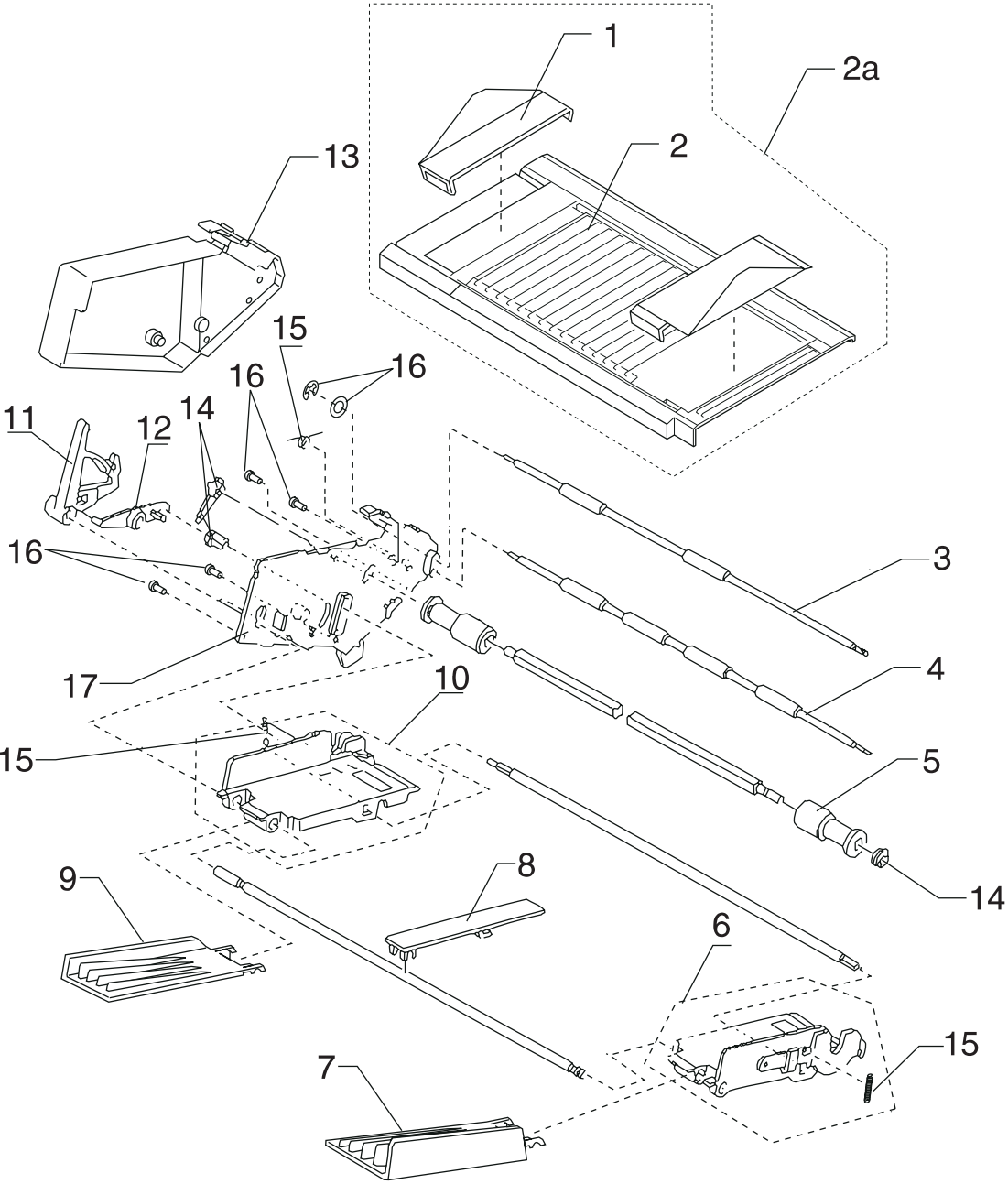
Asm-Index	Part Number	Description
5 -4	1333260	Main Logic Board W/ EPROM (2390-002 LV)
4	1333264	Main Logic Board W/ EPROM (2390-002 HV)
4	1180993	Main Logic Board W/ EPROM (2391-001 LV)
4	1180994	Main Logic Board W/ EPROM (2391-001 HV)
4	1333262	Main Logic Board W/ EPROM (2391-002 LV)
4	1333266	Main Logic Board W/ EPROM (2391-002 HV)
4	1368012	Main Logic Board W/ EPROM, Variable Forms Length (2380-001 LV)
4	1368013	Main Logic Board W/ EPROM, Variable Forms Length (2380-001 HV)
4	1368014	Main Logic Board W/ EPROM, Variable Forms Length (2381-001 LV)
4	1368015	Main Logic Board W/ EPROM, Variable Forms Length (2381-001 HV)
4	1368007	Main Logic Board W/ EPROM, Variable Forms Length (2390-001 LV)
4	1368008	Main Logic Board W/ EPROM, Variable Forms Length (2390-001 HV)
4	1368016	Main Logic Board W/ EPROM, Variable Forms Length (2391-001 LV)
4	1368017	Main Logic Board W/ EPROM, Variable Forms Length (2391-001 HV)
4	11A3322	Main Logic Board W/O EPROM (2380-003 LV)
4	11A3324	Main Logic Board W/O EPROM (2380-003 HV)
4	11A3323	Main Logic Board W/O EPROM (2381-003 LV)
4	11A3325	Main Logic Board W/O EPROM (2381-003 HV)
4	11A3326	Main Logic Board W/O EPROM (2390-003 LV)
4	11A3328	Main Logic Board W/O EPROM (2390-003 HV)
4	11A3327	Main Logic Board W/O EPROM (2391-003 LV)
4	11A3329	Main Logic Board W/O EPROM (2391-003 HV)
NS	11A3330	EPROM Kit (238X-003)
NS	11A3331	EPROM Kit (239X-003)

Assembly 5: Electronics (Continued)



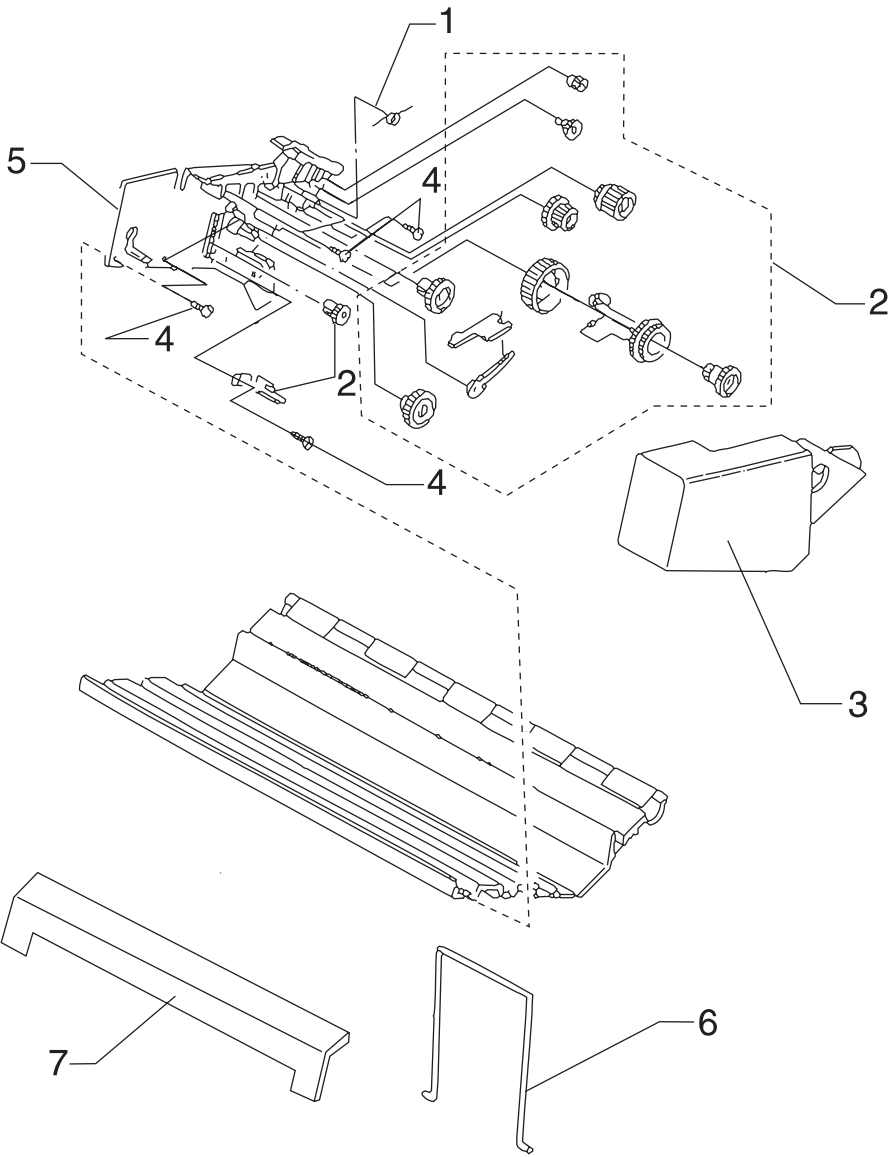
Asm-Index	Part Number	Description
5- 5	1180725	32Kb NVRAM Memory Module (Option)
5	1180727	32Kb Memory Module US (Option)
5	1180960	Extended NLS Module, EMEA (Option) (238X-001)
5	1180961	Extended NLS Module, EMEA (Option) (239X-001)
5	1332985	Extended NLS Module, Turkish/Greek (Option) (238X-002)
5	1332986	Extended NLS Module, Eastern Countries (Option) (238X-002)
5	1332987	Extended NLS Module, Middle East Countries (Option) (238X-002)
5	1332988	Extended NLS Module, Turkish/Greek (Option) (239X-002)
5	1332989	Extended NLS Module, Eastern Countries (Option) (239X-002)
5	1332990	Extended NLS Module, Middle East Countries (Option) (239X-002)
5	11A3285	Extended NLS Module, Eastern Europe (Option) (238X-003)
5	11A3286	Extended NLS Module, Eastern Europe (Option) (239X-003)
5	11A3287	Extended NLS Module, Middle East Countries (Option) (238X-003)
5	11A3288	Extended NLS Module, Middle East Countries (Option) (239X-003)
6	79F4860	Screw, Washer, and Clip Kit (23XX-001)
6	1333219	Screw, Washer, and Clip Kit (23XX-002)
6	11A3344	Screw, Washer, and Clip Kit (23XX-003)
7	79F4811	Spring Kit (23XX-001, 2381-002, 2391-002)
7	1333228	Spring Kit (2380-002 & 2390-002)
7	11A3308	Spring Kit (2380-003 & 2390-003)
7	11A3309	Spring Kit (2381-003 & 2391-003)
8	1368019	Rubber Board Support

Assembly 6: ASF - Roller / Support



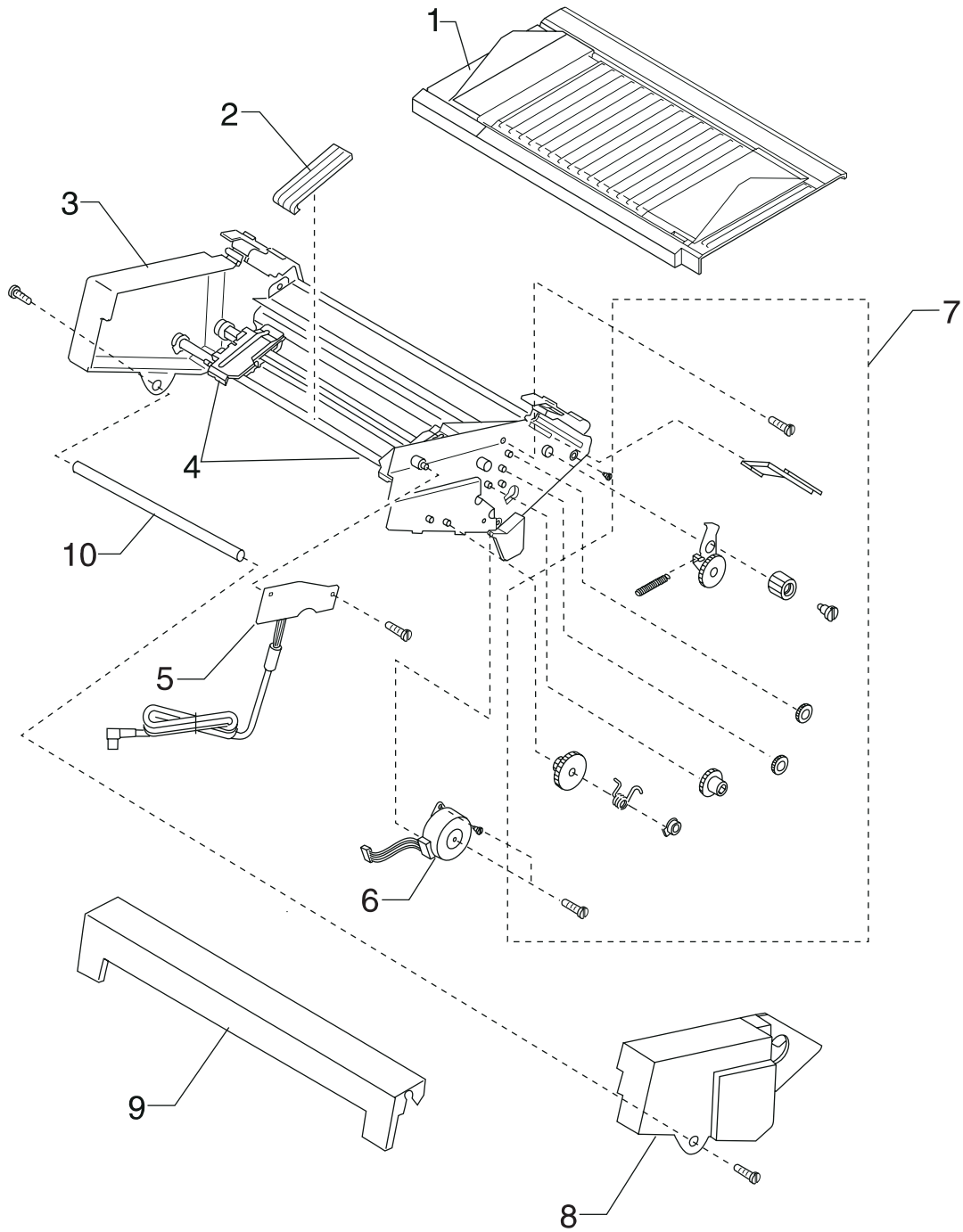
Asm-Index	Part Number	Description
6 -1	95F6884	Paper Guide(23XX-001,002, 2380-003, 2390-003)
2	95F6883	Cut Sheet Support (2380 & 2390)
2	95F6895	Cut Sheet Support (2381-001, 002 & 2391-001,002)
2A	11A3334	Cut Sheet Support W/ Guides (2381-003, 2391-003)
3	95F6886	Feed Roller Upper (2380 & 2390)
3	95F6896	Feed Roller Upper (2381 & 2391)
4	95F6887	Feed Roller Lower (2380 & 2390)
4	95F6897	Feed Roller Lower (2381 & 2391)
5	1333275	Pick-up Roller (L & R) (2381-003, 2391-003)
5	95F6885	Pick-up Roller (All others)
6	95F6889	Hopper (R)
7	1333278	Paper Support (R) (2381-003, 2391-003)
7	95F6879	Paper Support (R) (All others)
8	95F6880	Paper Support (C) (2381 & 2391)
9	95F6878	Paper Support (L)
10	1333280	Hopper (L) (2381-003, 2391-003)
10	95F6888	Hopper (L) (All others)
11	1333161	Paper Load Lever (2381-003, 2391-003)
11	95F6890	Paper Load Lever (All others)
12	1333162	Paper Load Link (2381-003, 2391-003)
12	95F6891	Paper Load Link (All others)
13	95F6881	Cover (L)
14	95F6892	Gear and Bushing Kit, ASF
15	95F6893	Spring Kit, ASF
16	95F6894	Screw Kit, ASF
17	95F6898	Side Frame (L)

Assembly 7: ASF - Side Frame / Covers



Asm-Index	Part Number	Description
7 -1	95F6893	Spring Kit, ASF
2	95F6892	Gear and Bushing Kit, ASF
3	95F6882	Cover (R)
4	95F6894	Screw Kit, ASF
5	95F6899	Side Frame (R)
6	95F6901	Stacking Support
7	95F6902	Front Cover (2380 & 2390)
7	95F6903	Front Cover (2381 & 2391)

Assembly 8: Tractor 2 Option



Asm-Index	Part Number	Description
8 -1	11A3342	Paper Table W/ Guides, Narrow
1	11A3343	Paper Table W/ Guides, Wide
2	11A3338	Tractor Paper Guide
3	11A3339	Tractor and Frame Asm, Narrow
3	11A3340	Tractor and Frame Asm, Wide
4	1333160	Tractor Kit (L & R)
5	11A3335	Board Asm W/Cable and Ferrite, Narrow
5	11A3336	Board Asm W/Cable and Ferrite, Wide
6	11A3337	Motor
7	11A3341	Parts Packet
8	11A3332	Right Cover
9	95F6902	Front Cover, Narrow
9	95F6903	Front Cover, Wide
10	11A3283	Support Shaft, Narrow
10	11A3284	Support Shaft, Wide