

PARTS CATALOG

iR2420/2320/2318 Series

Canon

Feb 3 2009

PREFACE

This Parts Catalog contains listings of parts used

Diagrams are provided with the listings to aid the service technician in identifying clearly, the item to be ordered.

Whenever ordering parts, consult this Parts Catalog for all of the information pertaining to each item. Be sure to include, in the Parts Request, the full item description, the item part number, and the quantity.

COPYRIGHT (C) 1999 CANON INC.

Use of this manual should be strictly supervised to avoid disclosure of confidential information.

Contents

NUMERICAL INDEX

iR2420/2320/2318 Series(Numerical Index)..... 1-1

iR2420/2320/2318 Series(Parts Catalog)

A1	ASSEMBLY LOCATION DIAGRAM	2-1
A2	OPTION PARTS CATALOG LIST	2-4
001	ACCESSORIES	2-5
100	EXTERNAL COVERS, PANELS, ETC.	2-6
101	MACHINE FRONT PLATE	2-8
102	INTERNAL COMPONENTS 1	2-10
103	INTERNAL COMPONENTS 2	2-12
104	MACHINE REAR PLATE	2-15
130	CONTROL PANEL ASSEMBLY	2-17
140	LEFT DOOR ASSEMBLY	2-19
141	TRANSFER MOUNT ASSEMBLY	2-22
250	MAIN DRIVE ASSEMBLY	2-24
280	FIXING DRIVE ASSEMBLY	2-26
300	CASSETTE UNIT	2-27
310	CASSETTE FEEDER ASSEMBLY	2-29
311	PAPER PICK-UP ASSEMBLY	2-31
312	CASSETTE FEEDER ASSEMBLY(2 CASSETTE UNIT model)	2-34
313	PAPER PICK-UP ASSEMBLY(2 CASSETTE UNIT model)	2-37
315	MULTI FEED TRAY ASS'Y	2-40
350	PAPER DELIVERY ASSEMBLY	2-42
400	READER ASSEMBLY	2-44
640	DEVELOPING ASSEMBLY	2-48
810	FIXING ASSEMBLY	2-50
C10	COPYBOARD COVER ASSEMBLY(COPYBOARD model)	2-53
G10	NETWORK I/F PCB ASSEMBLY(NETWORK model)	2-55
S01	PACKING KIT(DUPLEX model)	2-56
S20	DUPLEX FEEDER ASSEMBLY(DUPLEX model)	2-58
S50	DUPLEX REVERSE UNIT(DUPLEX model)	2-61
ZZA	MECHANICAL STANDARD PARTS (HOW TO USE)	2-62
ZZB	MECHANICAL STANDARD PARTS (SCREWS)	2-63
ZZC	MECHANICAL STANDARD PARTS (BOLTS)	2-70
ZZD	MECHANICAL STANDARD PARTS (NUTS)	2-71
ZZE	MECHANICAL STANDARD PARTS (RETAINING RINGS)	2-72

NUMERICAL INDEX

IR2420/2320/2318 Series(Numerical Index)

PARTS NUMBER	FIGURE & KEY NO.	PARTS NUMBER	FIGURE & KEY NO.	PARTS NUMBER	FIGURE & KEY NO
FA4-1159-000	103 - 51	FB6-1909-000	313 - 26	FC6-4222-000	315 - 6
FA8-2447-000	312 - 12	FB6-1910-000	310 - 5	FC6-4223-000	315 - 7
FA8-2448-000	313 - 1	FB6-1910-000	312 - 7	FC6-4224-000	140 - 12
FA8-2449-000	313 - 2	FB6-1920-000	312 - 14	FC6-4227-020	140 - 14
FA9-2112-000	103 - 11	FB6-1996-000	312 - 15	FC6-4232-000	140 - 15
FA9-3870-000	100 - 27	FB6-1997-000	312 - 16	FC6-4234-000	140 - 17
FB4-5532-000	310 - 1	FB6-2000-000	300 - 4	FC6-4238-000	140 - 18
FB4-5532-000	312 - 2	FB6-6896-000	640 - 24	FC6-4239-000	140 - 19
FB4-5808-020	300 - 18	FC5-0543-000	140 - 24	FC6-4244-000	102 - 25
FB4-5809-020	300 - 9	FC5-0792-000	400 - 12	FC6-4245-000	103 - 44
FB4-5810-000	300 - 11	FC5-1444-000	400 - 13	FC6-4259-020	100 - 3
FB4-5813-020	300 - 10	FC5-4847-000	350 - 1	FC6-4262-000	100 - 6
FB4-5814-000	300 - 1	FC5-4860-000	810 - 1	FC6-4263-000	100 - 7
FB4-5824-000	300 - 19	FC5-5297-000	810 - 2	FC6-4264-000	100 - 8
FB4-6032-000	313 - 3	FC5-6805-000	810 - 22	FC6-4265-020	100 - 9
FB4-6033-000	313 - 4	FC6-3002-000	103 - 19	FC6-4266-000	100 - 10
FB4-6034-000	313 - 5	FC6-3002-000	810 - 36	FC6-4267-000	100 - 11
FB4-9817-030	311 - 25	FC6-4113-000	101 - 1	FC6-4268-000	100 - 12
FB4-9817-030	313 - 39	FC6-4114-000	101 - 14	FC6-4271-000	100 - 15
FB6-1336-000	400 - 8	FC6-4115-000	101 - 15	FC6-4272-000	100 - 14
FB6-1337-000	400 - 7	FC6-4116-000	101 - 21	FC6-4273-000	100 - 16
FB6-1536-000	312 - 13	FC6-4118-000	102 - 29	FC6-4284-000	311 - 26
FB6-1541-000	311 - 22	FC6-4120-000	101 - 16	FC6-4285-000	311 - 6
FB6-1550-000	311 - 1	FC6-4135-000	102 - 19	FC6-4286-000	311 - 7
FB6-1550-000	313 - 6	FC6-4138-000	103 - 27	FC6-4288-020	311 - 46
FB6-1551-000	313 - 7	FC6-4140-020	101 - 2	FC6-4288-020	313 - 51
FB6-1608-000	310 - 2	FC6-4143-020	101 - 3	FC6-4290-000	311 - 21
FB6-1608-000	312 - 3	FC6-4144-000	101 - 13	FC6-4290-000	313 - 32
FB6-1614-000	313 - 9	FC6-4146-020	101 - 4	FC6-4291-000	311 - 8
FB6-1615-000	313 - 10	FC6-4147-000	101 - 19	FC6-4297-000	310 - 9
FB6-1616-000	313 - 11	FC6-4148-000	103 - 20	FC6-4298-000	310 - 10
FB6-1624-000	313 - 13	FC6-4163-000	640 - 16	FC6-4300-000	310 - 11
FB6-1626-000	311 - 2	FC6-4164-000	640 - 2	FC6-4304-000	311 - 9
FB6-1626-000	313 - 14	FC6-4165-000	640 - 3	FC6-4304-000	313 - 24
FB6-1628-000	313 - 15	FC6-4166-000	640 - 4	FC6-4305-000	103 - 2
FB6-1631-030	313 - 40	FC6-4167-000	640 - 5	FC6-4306-000	103 - 3
FB6-1634-000	313 - 18	FC6-4168-000	640 - 6	FC6-4307-000	103 - 52
FB6-1635-000	313 - 19	FC6-4169-000	640 - 7	FC6-4308-000	103 - 34
FB6-1636-000	313 - 20	FC6-4170-000	640 - 8	FC6-4309-030	103 - 35
FB6-1640-000	300 - 2	FC6-4176-000	640 - 11	FC6-4310-000	103 - 36
FB6-1644-000	300 - 3	FC6-4177-000	640 - 12	FC6-4311-020	103 - 4
FB6-1646-000	300 - 12	FC6-4191-000	103 - 40	FC6-4312-020	103 - 5
FB6-1649-000	300 - 13	FC6-4202-000	640 - 17	FC6-4313-000	141 - 7
FB6-1650-000	300 - 7	FC6-4205-000	103 - 43	FC6-4314-030	141 - 8
FB6-1660-000	311 - 4	FC6-4209-020	140 - 9	FC6-4315-000	141 - 9
FB6-1660-000	313 - 21	FC6-4210-000	140 - 10	FC6-4316-000	141 - 11
FB6-1722-000	104 - 1	FC6-4211-000	140 - 11	FC6-4317-000	141 - 3
FB6-1905-000	313 - 22	FC6-4215-000	315 - 1	FC6-4324-000	141 - 4
FB6-1908-000	311 - 20	FC6-4218-000	315 - 2	FC6-4326-000	311 - 10
FB6-1908-000	313 - 31	FC6-4219-000	315 - 3	FC6-4337-000	300 - 5
FB6-1909-000	311 - 5	FC6-4220-000	315 - 4	FC6-4348-000	311 - 11
FB6-1909-000	313 - 23	FC6-4221-000	315 - 5	FC6-4350-000	311 - 12

NUMERICAL INDEX

iR2420/2320/2318 Series(Numerical Index)

PARTS NUMBER	FIGURE & KEY NO.	PARTS NUMBER	FIGURE & KEY NO.	PARTS NUMBER	FIGURE & KEY NO
FC6-4350-000	313 - 36	FC6-4492-000	810 - 10	FC6-6759-000	S20 - 7
FC6-4351-000	311 - 27	FC6-4495-000	103 - 10	FC6-6759-000	S50 - 2
FC6-4352-000	311 - 13	FC6-4501-000	810 - 11	FC6-6760-000	S20 - 8
FC6-4352-000	313 - 25	FC6-4502-000	350 - 7	FC6-6764-000	S20 - 24
FC6-4355-000	311 - 14	FC6-4503-000	810 - 42	FC6-6765-000	S20 - 9
FC6-4355-000	313 - 33	FC6-4504-000	350 - 19	FC6-6767-000	S20 - 10
FC6-4356-000	311 - 28	FC6-4506-000	400 - 30	FC6-6768-000	S20 - 11
FC6-4356-000	313 - 41	FC6-4508-000	C10 - 1	FC6-6769-000	S20 - 25
FC6-4357-000	310 - 3	FC6-4509-000	C10 - 2	FC6-6776-000	S20 - 12
FC6-4357-000	312 - 4	FC6-4511-000	400 - 37	FC6-6777-000	S20 - 13
FC6-4358-000	311 - 15	FC6-4513-000	100 - 26	FC6-6778-000	S01 - 5
FC6-4358-000	313 - 27	FC6-4514-000	400 - 31	FC6-6779-000	S50 - 3
FC6-4360-030	103 - 18	FC6-4522-000	400 - 2	FC6-6780-000	S50 - 4
FC6-4361-000	300 - 6	FC6-4528-000	400 - 14	FC6-6781-000	S50 - 1
FC6-4375-000	810 - 39	FC6-4529-000	100 - 20	FC6-6782-000	S01 - 1
FC6-4376-000	140 - 2	FC6-4541-000	400 - 15	FC6-7092-000	101 - 8
FC6-4377-000	140 - 20	FC6-4558-000	400 - 20	FC6-7103-020	140 - 7
FC6-4386-000	140 - 3	FC6-4559-000	400 - 39	FC6-8678-000	S01 - 6
FC6-4389-000	311 - 3	FC6-4560-000	400 - 6	FC7-1765-000	102 - 8
FC6-4389-000	313 - 17	FC6-4561-000	400 - 40	FC7-1766-000	102 - 11
FC6-4391-000	100 - 2	FC6-4562-000	400 - 19	FC7-1770-000	311 - 44
FC6-4399-020	103 - 6	FC6-4573-000	400 - 16	FC7-1771-000	810 - 44
FC6-4413-000	140 - 5	FC6-4576-000	C10 - 3	FC7-1772-000	640 - 9
FC6-4414-000	140 - 6	FC6-4580-000	100 - 21	FC8-0139-000	100 - 4
FC6-4435-000	103 - 7	FC6-4582-000	400 - 5	FC8-0140-000	100 - 5
FC6-4436-000	250 - 1	FC6-4689-000	103 - 47	FC8-0160-000	313 - 16
FC6-4437-000	250 - 2	FC6-4690-000	101 - 6	FC8-0165-000	140 - 32
FC6-4438-020	350 - 2	FC6-4691-000	104 - 7	FC8-0166-000	140 - 48
FC6-4446-000	103 - 8	FC6-4693-000	102 - 24	FC8-0167-000	140 - 16
FC6-4447-000	103 - 9	FC6-4710-000	102 - 5	FC8-0168-000	140 - 13
FC6-4448-000	810 - 21	FC6-4719-000	101 - 23	FC8-0170-000	313 - 54
FC6-4449-000	810 - 16	FC6-4720-000	102 - 6	FC8-0172-000	313 - 8
FC6-4450-000	810 - 17	FC6-4723-000	102 - 2	FC8-0215-000	350 - 6
FC6-4452-000	810 - 3	FC6-4724-000	100 - 22	FC8-0269-000	300 - 24
FC6-4453-000	810 - 4	FC6-4727-000	400 - 17	FC8-0351-000	S01 - 2
FC6-4454-000	810 - 41	FC6-4734-000	102 - 7	FC8-0353-000	312 - 29
FC6-4458-020	810 - 38	FC6-4738-000	C10 - 4	FC9-4265-000	104 - 17
FC6-4462-000	810 - 5	FC6-6706-000	312 - 5	FC9-4266-000	100 - 13
FC6-4463-000	810 - 6	FC6-6710-000	312 - 22	FC9-4270-000	400 - 48
FC6-4465-020	350 - 13	FC6-6712-000	312 - 31	FC9-4301-000	130 - 2
FC6-4467-000	810 - 43	FC6-6714-000	312 - 17	FC9-4302-000	130 - 3
FC6-4470-030	350 - 4	FC6-6718-000	312 - 24	FC9-4303-000	130 - 4
FC6-4473-020	350 - 14	FC6-6720-000	312 - 1	FC9-4304-000	130 - 5
FC6-4474-030	350 - 5	FC6-6720-000	312 - 9	FC9-4305-000	130 - 6
FC6-4476-000	100 - 1	FC6-6740-000	S20 - 23	FC9-4306-000	130 - 7
FC6-4477-000	350 - 3	FC6-6752-000	S20 - 1	FC9-4307-000	130 - 8
FC6-4478-000	102 - 3	FC6-6753-000	S20 - 2	FC9-4308-000	130 - 9
FC6-4479-000	810 - 7	FC6-6754-000	S20 - 15	FC9-4309-000	130 - 10
FC6-4480-000	810 - 8	FC6-6755-000	S20 - 3	FC9-4311-000	130 - 11
FC6-4481-000	810 - 9	FC6-6756-000	S20 - 4	FC9-4312-000	130 - 12
FC6-4482-000	102 - 4	FC6-6757-000	S20 - 5	FC9-4313-000	130 - 13
FC6-4484-000	350 - 15	FC6-6758-000	S20 - 6	FC9-4314-000	130 - 14

NUMERICAL INDEX

iR2420/2320/2318 Series(Numerical Index)

PARTS NUMBER	FIGURE & KEY NO.	PARTS NUMBER	FIGURE & KEY NO.	PARTS NUMBER	FIGURE & KEY NO
FC9-4318-000	130 - 15	FL2-3287-000	300 - 25	FM2-4500-000	312 - 27
FC9-4329-000	100 - 19	FL2-3288-000	300 - 26	FM2-4515-000	S20 - 41
FC9-4330-000	102 - 1	FL2-3304-000	640 - 10	FM2-4517-000	S20 - 30
FE5-4048-000	311 - 29	FL2-3736-000	312 - 20	FM2-4518-030	S20 - 31
FE5-4048-000	313 - 42	FL2-3744-000	S20 - 26	FM2-4519-000	S20 - 32
FF6-1610-000	313 - 34	FL2-3856-000	S20 - 14	FM2-4520-000	S20 - 33
FF6-1621-000	311 - 16	FL2-8094-000	S01 - 4	FM2-4596-000	313 -
FF6-1621-000	313 - 28	FL2-9922-000	313 - 12	FM2-4786-000	103 - 14
FG3-3501-000	810 - 12	FL3-2110-000	130 - 1	FM2-4787-000	103 - 14
FG6-8440-000	312 - 6	FL3-2111-000	130 - 1	FM2-4789-000	350 - 16
FH5-3543-000	141 - 5	FM2-3287-000	640 - 18	FM3-3015-000	S01 - 3
FH7-7569-000	400 - 46	FM2-3294-000	315 -	FM3-3671-000	640 -
FK2-1058-000	104 - 2	FM2-3315-000	141 -	FM3-3672-000	640 - 20
FK2-1061-000	400 - 18	FM2-3319-000	310 - 4	FM3-3676-000	640 - 19
FK2-1066-020	400 - 28	FM2-3320-050	311 -	FM3-5746-000	103 - 53
FK2-1067-000	102 - 10	FM2-3325-000	300 - 8	FM3-5751-000	103 - 41
FK2-1068-000	311 - 17	FM2-3326-000	300 - 17	FM3-6924-000	140 -
FK2-1070-000	140 - 21	FM2-3328-000	810 -	FM3-8304-000	140 -
FK2-1072-000	140 - 22	FM2-3329-000	810 - 13	FM4-0027-000	104 - 9
FK2-1082-000	311 - 18	FM2-3330-300	140 -	FM4-0029-000	130 - 16
FK2-1084-000	140 - 8	FM2-3331-000	140 - 46	FM4-0030-000	102 - 23
FK2-1104-000	313 - 29	FM2-3345-000	810 -	FM4-0031-000	400 - 23
FK2-1114-000	S20 - 17	FM2-3346-000	810 - 13	FM4-0032-000	400 - 42
FK2-5349-000	103 - 12	FM2-3348-000	810 - 19	FM4-0033-000	400 - 43
FK2-8101-000	103 - 13	FM2-3349-000	810 - 20	FM4-0034-000	103 - 1
FK2-8102-000	103 - 13	FM2-3350-000	280 -	FM4-0035-000	400 - 44
FK2-8103-000	103 - 13	FM2-3351-000	350 -	FM4-0036-000	101 - 24
FK2-8104-000	103 - 48	FM2-3352-000	810 -	FM4-0037-000	101 - 10
FK2-8111-000	104 - 3	FM2-3353-000	810 - 13	FM4-0038-000	104 - 13
FK2-8112-000	104 - 15	FM2-3383-000	102 - 14	FM4-0039-000	400 - 47
FK2-8113-000	104 - 16	FM2-4020-000	101 - 18	FM4-0040-000	103 - 14
FK2-8114-000	102 - 9	FM2-4400-000	400 - 41	FM4-0042-000	103 - 1
FK2-8240-000	G10 - 1	FM2-4401-000	102 - 28	FM4-0043-000	102 - 26
FK2-8504-000	001 - 1	FM2-4403-000	310 - 7	FM4-0640-000	130 -
FK2-8507-000	001 - 1	FM2-4405-000	810 - 24	FM4-0641-000	130 -
FL2-3180-000	102 - 12	FM2-4408-000	103 - 45	FM4-0646-000	101 - 5
FL2-3181-000	102 - 13	FM2-4410-000	104 - 4	FM4-0650-000	104 - 5
FL2-3186-000	C10 - 5	FM2-4411-000	810 - 25	FM4-0652-000	104 - 5
FL2-3193-000	640 - 13	FM2-4414-000	104 - 12	FM4-0653-000	104 - 5
FL2-3197-000	640 - 15	FM2-4416-000	104 - 11	FM4-0660-000	400 - 36
FL2-3200-000	140 - 23	FM2-4417-000	140 - 43	FS1-1205-000	311 - 30
FL2-3201-000	140 - 25	FM2-4421-000	140 - 27	FS1-1205-000	313 - 43
FL2-3202-000	140 - 26	FM2-4423-020	400 - 11	FS5-9714-000	311 - 45
FL2-3211-000	141 - 14	FM2-4424-000	103 - 49	FS5-9714-000	313 - 52
FL2-3213-000	103 - 15	FM2-4427-000	400 - 45	FS6-2917-000	300 - 20
FL2-3214-000	141 - 6	FM2-4433-000	101 - 9	FS7-0207-000	300 - 21
FL2-3220-000	350 - 8	FM2-4483-000	312 - 11	FS7-0225-000	311 - 31
FL2-3230-000	400 - 21	FM2-4493-000	S50 -	FS7-0225-000	313 - 44
FL2-3268-000	100 - 23	FM2-4495-000	312 - 19	FS7-0226-000	311 - 32
FL2-3269-000	100 - 24	FM2-4496-000	312 - 30	FS7-0226-000	313 - 45
FL2-3282-000	400 - 24	FM2-4497-000	312 - 23	FS7-0227-000	313 - 46
FL2-3286-000	400 - 38	FM2-4499-000	312 - 25	FS7-0228-000	311 - 33

NUMERICAL INDEX

iR2420/2320/2318 Series(Numerical Index)

PARTS NUMBER	FIGURE & KEY NO.	PARTS NUMBER	FIGURE & KEY NO.	PARTS NUMBER	FIGURE & KEY NO
FS7-0228-000	313 - 47	FU6-0770-000	311 - 37	FU6-2184-000	250 - 12
FS7-0229-000	311 - 34	FU6-0771-030	311 - 38	FU6-2185-000	810 - 33
FS7-0229-000	313 - 48	FU6-0773-000	141 - 12	FU6-2186-000	810 - 34
FS7-0230-000	311 - 35	FU6-0775-000	311 - 39	FU6-2188-000	810 - 23
FS7-0230-000	313 - 49	FU6-0776-030	311 - 40	FU6-2189-000	350 - 11
FS7-8335-000	102 - 15	FU6-0788-000	250 - 4	FU6-2190-000	400 - 29
FU5-0732-000	350 - 9	FU6-0790-000	250 - 7	FU6-2191-000	400 - 34
FU5-1498-000	102 - 20	FU6-0791-000	250 - 8	FU6-2193-000	400 - 3
FU5-1499-000	102 - 21	FU6-0792-000	250 - 9	FU6-2194-000	101 - 17
FU5-1519-000	810 - 26	FU6-0793-000	250 - 10	FU6-2195-000	103 - 32
FU5-1520-000	810 - 27	FU6-0794-000	103 - 38	FU6-2198-000	103 - 26
FU5-1522-000	350 - 10	FU6-0795-000	250 - 11	FU6-2199-000	103 - 33
FU5-1527-000	140 - 28	FU6-0796-000	103 - 39	FU6-2206-000	350 - 12
FU5-1528-000	140 - 29	FU6-0799-000	810 - 30	FU6-2207-020	102 - 17
FU5-1529-000	140 - 30	FU6-0800-000	810 - 31	FU6-2208-000	810 - 40
FU5-1530-000	140 - 31	FU6-0801-000	810 - 32	FU6-2209-000	103 - 46
FU5-2470-000	810 - 18	FU6-0802-000	280 - 1	FU6-2210-000	350 - 17
FU5-2476-000	141 - 2	FU6-0803-000	102 - 16	FU6-2236-000	400 - 1
FU5-3339-000	400 - 32	FU6-0804-000	280 - 2	FU6-2387-000	S20 - 37
FU5-3340-000	400 - 33	FU6-0806-000	103 - 17	FU6-2388-000	S20 - 38
FU5-8574-000	101 - 11	FU6-0814-000	140 - 33	FU6-8435-000	100 - 17
FU5-8575-000	810 - 28	FU6-0933-000	S20 - 18	FU6-8457-000	300 - 23
FU5-8576-000	810 - 29	FU6-0934-000	S20 - 19	FU6-8460-000	300 - 15
FU5-8585-000	310 - 8	FU6-0935-000	S20 - 34	FU6-8461-000	300 - 16
FU5-8586-000	310 - 13	FU6-0936-000	S20 - 20	FU7-0923-000	311 - 36
FU5-8588-000	300 - 14	FU6-0937-000	S20 - 35	FU7-2221-000	140 - 35
FU5-8589-000	315 - 9	FU6-0938-000	S20 - 27	FU7-2222-000	140 - 37
FU5-8590-000	400 - 25	FU6-0939-000	S20 - 28	FU7-2234-000	311 - 19
FU5-8591-000	400 - 27	FU6-0940-000	S20 - 36	FU7-2234-000	313 - 30
FU5-8592-000	400 - 25	FU6-2146-000	102 - 18	NPN	001 -
FU5-8593-000	400 - 27	FU6-2148-000	103 - 21	NPN	100 -
FU5-8601-000	300 - 22	FU6-2149-000	103 - 22	NPN	101 -
FU5-8602-000	100 - 17	FU6-2150-000	103 - 23	NPN	102 -
FU5-8603-000	100 - 18	FU6-2151-000	103 - 24	NPN	103 -
FU5-8604-000	315 - 9	FU6-2152-000	103 - 25	NPN	104 -
FU5-8605-000	315 - 8	FU6-2156-000	103 - 28	NPN	250 -
FU5-8606-000	103 - 42	FU6-2157-000	103 - 29	NPN	300 -
FU5-8607-000	140 - 1	FU6-2158-000	103 - 30	NPN	310 -
FU5-8608-000	101 - 12	FU6-2159-000	103 - 31	NPN	312 -
FU5-8610-000	101 - 20	FU6-2160-000	140 - 44	NPN	400 -
FU5-8611-000	100 - 28	FU6-2162-000	140 - 45	NPN	C10 -
FU5-8680-000	312 - 21	FU6-2170-000	310 - 12	NPN	G10 -
FU5-8696-000	S20 - 16	FU6-2171-000	141 - 1	NPN	S01 -
FU5-8699-000	140 - 4	FU6-2173-000	141 - 10	NPN	S20 -
FU6-0761-000	640 - 14	FU6-2174-000	311 - 41	RB2-1850-000	250 - 3
FU6-0762-000	640 - 21	FU6-2175-000	311 - 42	VS1-7177-002	140 - 38
FU6-0763-000	640 - 22	FU6-2175-000	313 - 53	VS1-7177-002	312 - 10
FU6-0764-000	640 - 23	FU6-2176-000	103 - 16	VS1-7177-003	102 - 27
FU6-0765-000	640 - 1	FU6-2177-020	141 - 13	VS1-7177-003	140 - 39
FU6-0766-000	250 - 5	FU6-2178-000	140 - 47	VS1-7177-004	140 - 40
FU6-0767-000	250 - 6	FU6-2180-000	140 - 34	VS1-7177-010	104 - 6
FU6-0769-000	311 - 36	FU6-2182-000	140 - 36	VS1-7177-013	312 - 26

NUMERICAL INDEX

iR2420/2320/2318 Series(Numerical Index)

PARTS NUMBER	FIGURE & KEY NO.	PARTS NUMBER	FIGURE & KEY NO.	PARTS NUMBER	FIGURE & KEY NO
VS1-7207-006	104 - 10				
VS1-7207-007	104 - 8				
VS1-7207-012	S01 - 7				
WC2-5332-000	310 - 6				
WC2-5332-000	312 - 8				
WG8-5624-000	313 - 50				
WG8-5696-000	101 - 22				
WG8-5696-000	103 - 37				
WG8-5696-000	140 - 41				
WG8-5696-000	311 - 43				
WG8-5696-000	350 - 18				
WG8-5696-000	400 - 26				
WG8-5696-000	810 - 35				
WG8-5696-000	S20 - 39				
XA9-0702-000	810 - 15				
XA9-1116-000	S20 - 21				
XA9-1415-000	400 - 22				
XA9-1567-000	100 - 25				
XA9-1567-000	101 - 7				
XA9-1567-000	102 - 22				
XA9-1567-000	103 - 50				
XA9-1567-000	104 - 14				
XA9-1567-000	400 - 10				
XD1-1106-235	312 - 501				
XD3-1200-122	313 - 35				
XD9-0133-000	311 - 23				
XD9-0133-000	313 - 37				
XD9-0134-000	810 - 14				
XD9-0136-000	140 - 42				
XD9-0136-000	311 - 24				
XD9-0136-000	312 - 18				
XD9-0136-000	313 - 38				
XD9-0136-000	400 - 35				
XD9-0136-000	810 - 37				
XD9-0136-000	S20 - 22				
XF2-1109-040	S20 - 29				
XF2-1112-240	S20 - 40				
XF2-4620-340	400 - 4				
XF2-4661-440	400 - 9				
XH9-0135-000	310 - 14				
XH9-0135-000	312 - 28				

iR2420/2320/2318 Catalog)

Series(Parts

imageRUNNER 2320L

120V US F19-0631-000 EQL

iR2320L

230V F19-0641-000 EQM

230V CN F19-0660-000 EQS

COPYBOARD model

iR2318L

230V F19-0642-000 EQV

COPYBOARD model

230V CN F19-0663-000 EQW

COPYBOARD model

iR2320N

230V CN F19-0661-000 EQR

COPYBOARD/NETWORK
model

iR2420D

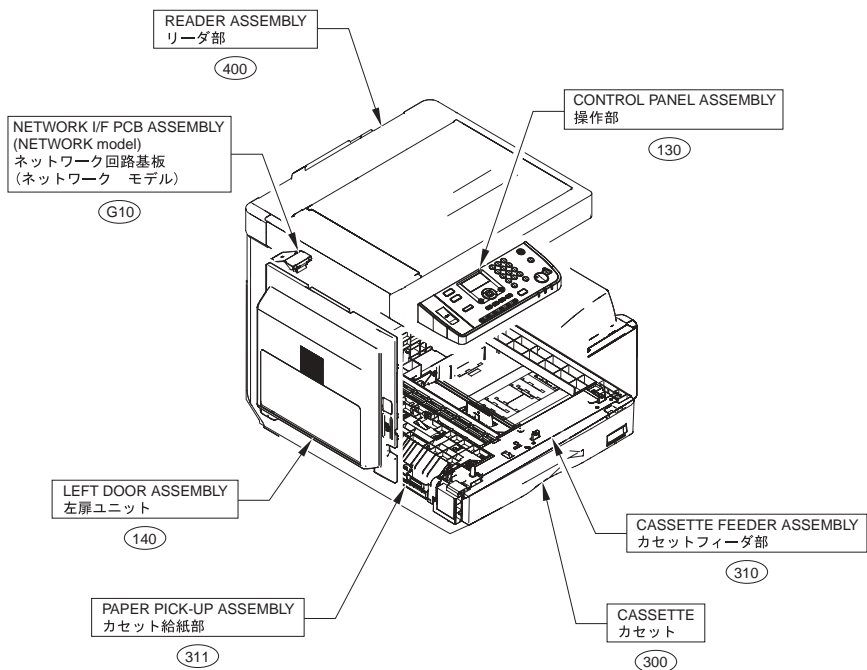
230V CN F19-0662-000 EQN

COPYBOARD/DUPLEX/2
CASSETTE model

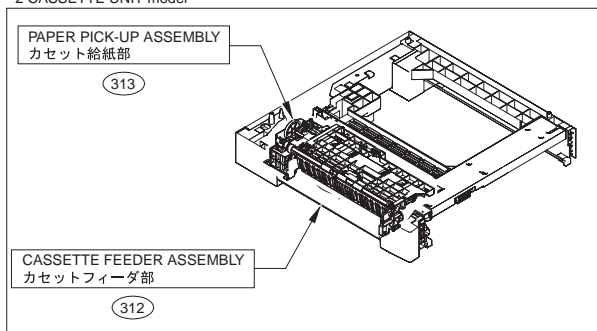
Contents

A1	ASSEMBLY LOCATION DIAGRAM	2-1
A2	OPTION PARTS CATALOG LIST	2-4
001	ACCESSORIES	2-5
100	EXTERNAL COVERS, PANELS, ETC.	2-6
101	MACHINE FRONT PLATE	2-8
102	INTERNAL COMPONENTS 1	2-10
103	INTERNAL COMPONENTS 2	2-12
104	MACHINE REAR PLATE	2-15
130	CONTROL PANEL ASSEMBLY	2-17
140	LEFT DOOR ASSEMBLY	2-19
141	TRANSFER MOUNT ASSEMBLY	2-22
250	MAIN DRIVE ASSEMBLY	2-24
280	FIXING DRIVE ASSEMBLY	2-26
300	CASSETTE UNIT	2-27
310	CASSETTE FEEDER ASSEMBLY	2-29
311	PAPER PICK-UP ASSEMBLY	2-31
312	CASSETTE FEEDER ASSEMBLY(2 CASSETTE UNIT model).....	2-34
313	PAPER PICK-UP ASSEMBLY(2 CASSETTE UNIT model)	2-37
315	MULTI FEED TRAY ASS'Y	2-40
350	PAPER DELIVERY ASSEMBLY	2-42
400	READER ASSEMBLY	2-44
640	DEVELOPING ASSEMBLY	2-48
810	FIXING ASSEMBLY	2-50
C10	COPYBOARD COVER ASSEMBLY(COPYBOARD model)	2-53
G10	NETWORK I/F PCB ASSEMBLY(NETWORK model)	2-55
S01	PACKING KIT(DUPLEX model)	2-56
S20	DUPLEX FEEDER ASSEMBLY(DUPLEX model)	2-58
S50	DUPLEX REVERSE UNIT(DUPLEX model).....	2-61
ZZA	MECHANICAL STANDARD PARTS (HOW TO USE)	2-62
ZZB	MECHANICAL STANDARD PARTS (SCREWS).....	2-63
ZZC	MECHANICAL STANDARD PARTS (BOLTS).....	2-70
ZZD	MECHANICAL STANDARD PARTS (NUTS).....	2-71
ZZE	MECHANICAL STANDARD PARTS (RETAINING RINGS)	2-72

FIGURE A1 ASSEMBLY LOCATION DIAGRAM



2 CASSETTE UNIT model



DUPLEX REVERSE UNIT
(DUPLICATE model)
両面反転ユニット (両面モデル)

(S50)

DUPLEX FEEDER ASSEMBLY
(DUPLICATE model)
両面搬送ユニット (両面モデル)

(S20)

TRANSFER MOUNT ASSEMBLY
搬送フレーム部

(141)

FIXING ASSEMBLY
定着器

(810)

MULTI FEED TRAY ASS'Y
手差しトレイ部

(315)

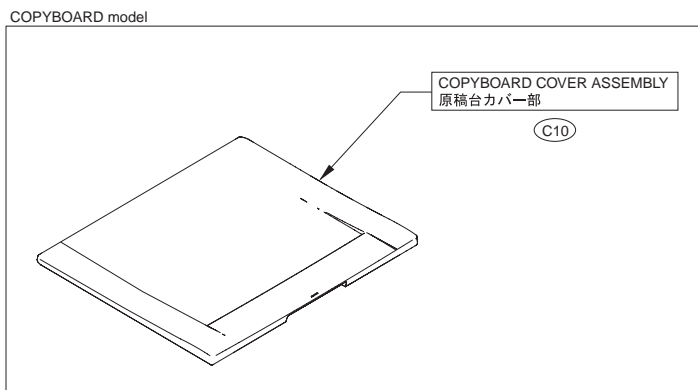
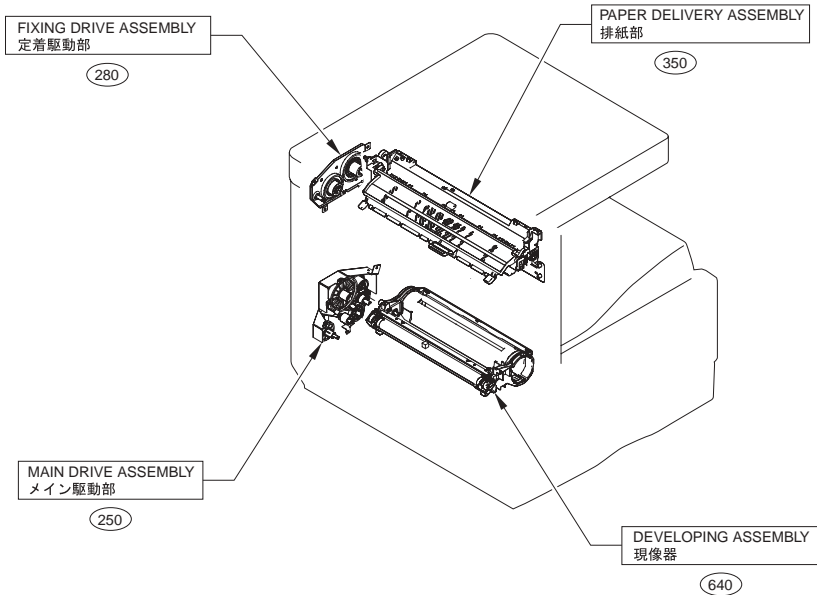


FIGURE A2 OPTION PARTS CATALOG LIST

This is the table of the machine's options whose parts catalog is issued.
本機のオプションで、パーツカタログが発行されている機種の一覧である。

No.	Model Name(English)	Model Name(Japanese)
1	Cassette Feeding Module-T1/T2/S1/S2	1段カセットユニットT1/T2 2段カセットユニットS1/S2
2	Network Interface Adapter iN-E14	Network Interface Adapter iN-E14

FIGURE 001 ACCESSORIES

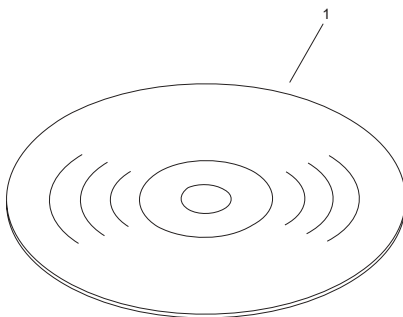


FIGURE & KEY NO.	PARTS NUMBER	RANK	Q'TY	DESCRIPTION	SERIAL NUMBER/REMARKS	SVC
Fig.001	NPN		RF	ACCESSORIES		
1	FK2-8504-000		1	CD-ROM, UFR II LT USER SOFTWARE	EQL,EQM,EQV	
1	FK2-8507-000		1	CD-ROM, UFR II LT USER SOFTWARE	EQS,EQR,EQN,EQW	

FIGURE 100 EXTERNAL COVERS, PANELS, ETC.

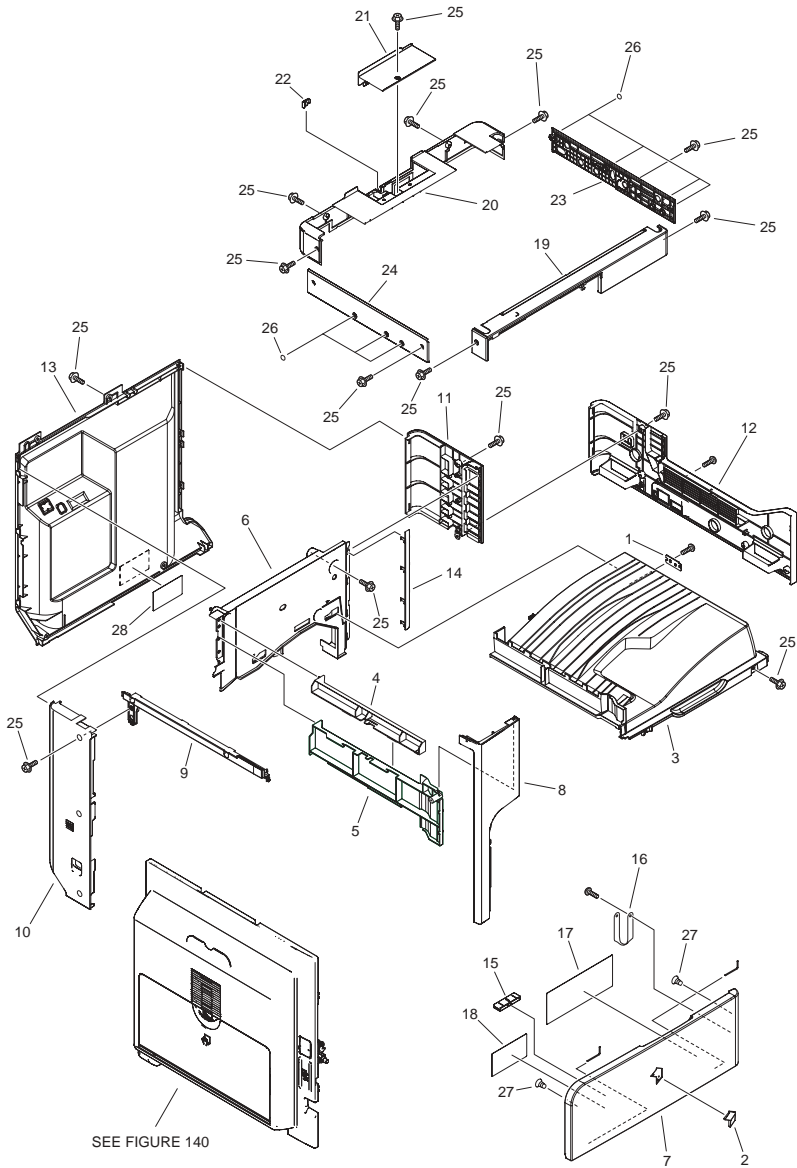


FIGURE & KEY NO.	PARTS NUMBER	R A N K	Q'TY	DESCRIPTION	SERIAL NUMBER/ REMARKS	S V C
Fig.100	NPN		RF	EXTERNAL COVERS, PANELS, ETC.		
1	FC6-4476-000		1	PLATE, SUPPORT, COVER		
2	FC6-4391-000		1	EMBLEM		
3	FC6-4259-020		1	TRAY, DELIVERY		
4	FC8-0139-000		1	COVER, PAPER FEED A		
5	FC8-0140-000		1	COVER, PAPER FEED B		
6	FC6-4262-000		1	COVER, REAR, DELIVERY		
7	FC6-4263-000		1	COVER, FRONT		
8	FC6-4264-000		1	COVER, LEFT, FRONT		
9	FC6-4265-020		1	COVER, LEFT, CENTER		
10	FC6-4266-000		1	COVER, REAR, LEFT		
11	FC6-4267-000		1	COVER, RIGHT, UPPER		
12	FC6-4268-000		1	COVER, RIGHT, LOWER		
13	FC9-4266-000		1	COVER, REAR, LEFT		
14	FC6-4272-000		1	COVER, BLIND		
15	FC6-4271-000		1	COVER, FOOL PROOF		
16	FC6-4273-000		1	STRAP, COVER SUPPORT		
17	FU5-8602-000		1	LABEL, TONER CARTRIDGE	EQL,EQN,EQR,EQS,EQ W	
17	FU6-8435-000		1	LABEL, TONER CARTRIDGE	EQM,EQV	
18	FU5-8603-000		1	LABEL, LEVER, DEVELOPING SET		
19	FC9-4329-000		1	COVER, READER, FRONT		
20	FC6-4529-000		1	COVER, READER, REAR		
21	FC6-4580-000		1	WINDOW, PCB		
22	FC6-4724-000		1	COVER, CABLE, DF		
23	FL2-3268-000		1	COVER, READER, RIGHT		
24	FL2-3269-000		1	COVER, READER, LEFT		
25	XA9-1567-000		AR	SCREW, RS, M3X8.5		
26	FC6-4513-000		7	SEAL		
27	FA9-3870-000		2	CATCH, MAGNET		
28	FU5-8611-000		1	LABEL, SERVICE		

FIGURE 101 MACHINE FRONT PLATE

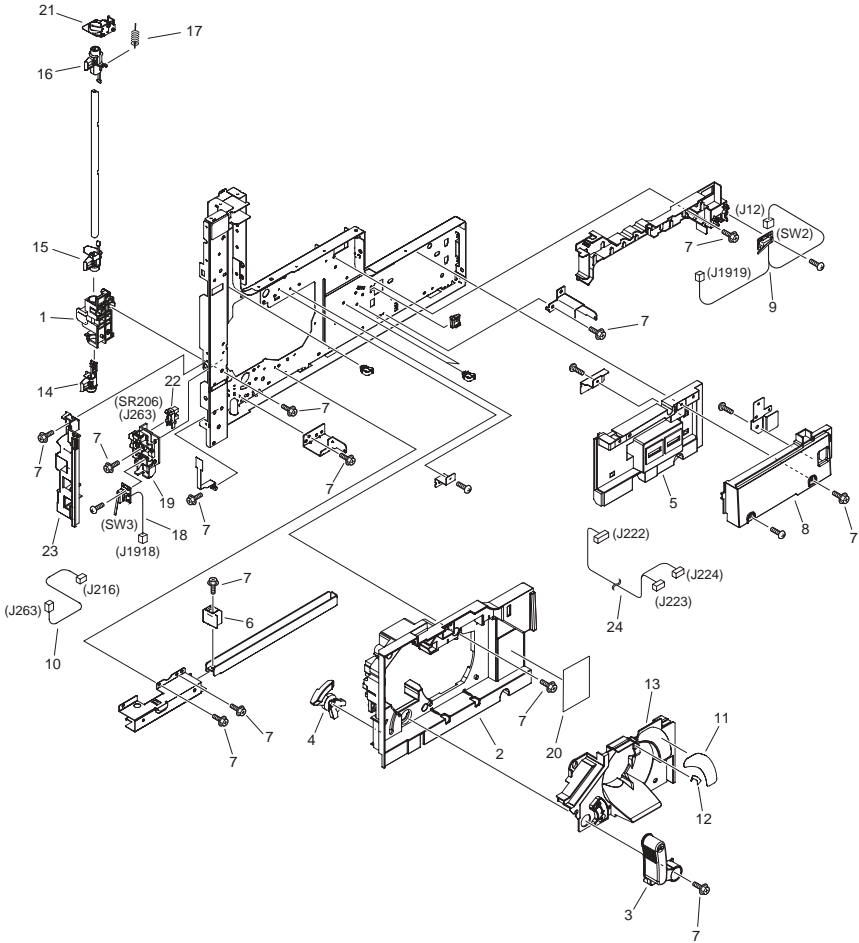


FIGURE & KEY NO.	PARTS NUMBER	R A N K	Q'TY	DESCRIPTION	SERIAL NUMBER/ REMARKS	S V C
Fig.101	NPN		1	MACHINE FRONT PLATE		
1	FC6-4113-000		1	BUSHING, HOOK		
2	FC6-4140-020		1	PANEL, INNER		
3	FC6-4143-020		1	LEVER, DEV, PRESSURE		
4	FC6-4146-020		1	ARM, RELEASE, LEFT DOOR		
5	FM4-0646-000		1	COUNTER UNIT		
6	FC6-4690-000		1	CAP, GRIP, FRONT		
7	XA9-1567-000		AR	SCREW, RS, M3X8.5		
8	FC6-7092-000		1	PANEL, INNER, UPPER		
9	FM2-4433-000		1	DOOR SWITCH PCB ASS'Y 2	SW2	
10	FM4-0037-000		1	CABLE, WASTE TONER DETECTION		
11	FU5-8574-000		1	LABEL, TONER BOTTLE		
12	FU5-8608-000		1	LABEL, TONER SET INSTRUCTION		
13	FC6-4144-000		1	GUIDE, TONER BOTTLE		
14	FC6-4114-000		1	HOOK, DOOR, LOWER		
15	FC6-4115-000		1	HOOK, DOOR, MIDDLE		
16	FC6-4120-000		1	HOOK, DOOR, UPPER		
17	FU6-2194-000		1	SPRING, TENSION		
18	FM2-4020-000		1	DOOR SWITCH PCB ASS'Y		
19	FC6-4147-000		1	GUIDE, SENSOR, TONER FULL		
20	FU5-8610-000		1	LABEL, CAUTION, LASER		
21	FC6-4116-000		1	BUSHING, DOOR HOOK, UPPER		
22	WG8-5696-000		1	PHOTO INTERRUPTER, TLP1243		
23	FC6-4719-000		1	COVER, INNER, FRONT LEFT		
24	FM4-0036-000		1	CABLE, COUNTER		

FIGURE 102 INTERNAL COMPONENTS 1

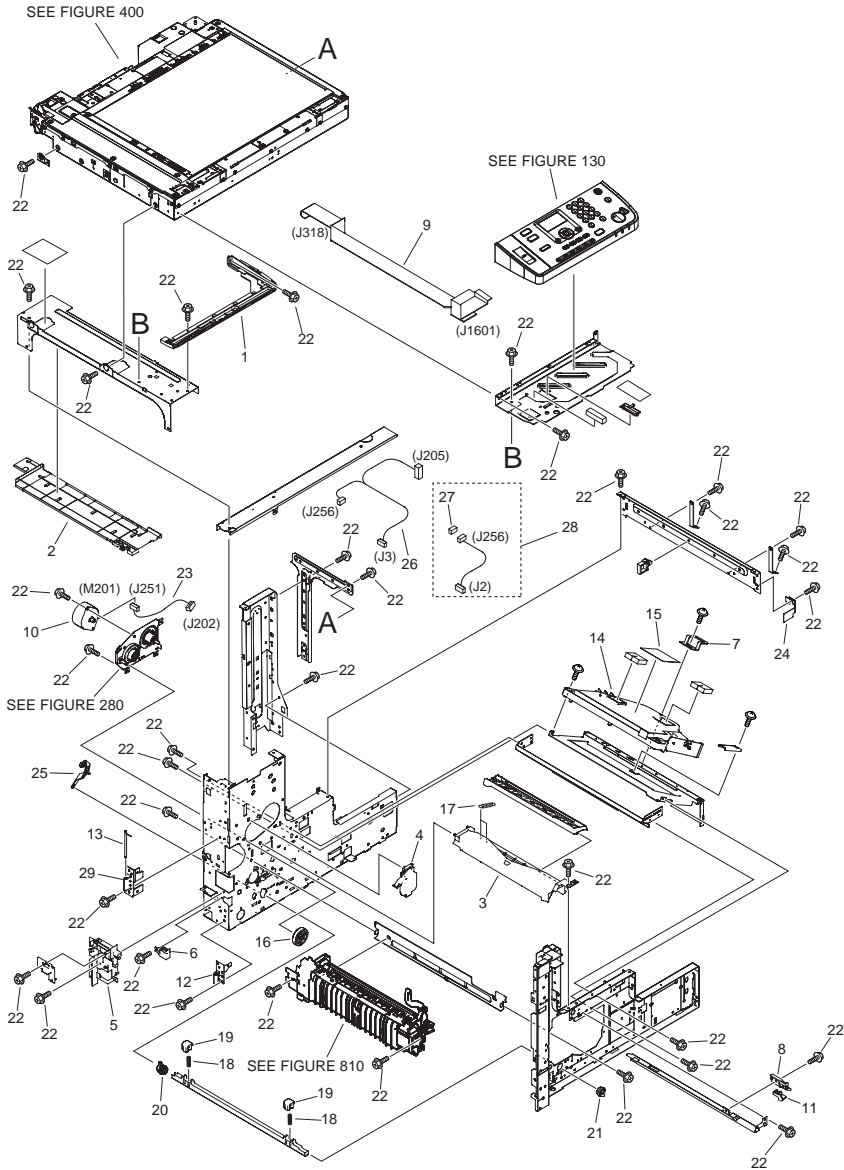


FIGURE & KEY NO.	PARTS NUMBER	RANK	Q'TY	DESCRIPTION	SERIAL NUMBER/REMARKS	SVC
Fig.102	NPN		RF	INTERNAL COMPONENTS 1		
1	FC9-4330-000		1	COVER, OPERATOR, LOWER		
2	FC6-4723-000		1	GUIDE, FFC		
3	FC6-4478-000		1	DUCT, AIR		
4	FC6-4482-000		1	COVER, GEAR		
5	FC6-4710-000		1	BLOCK, POSITIONING, DOOR		
6	FC6-4720-000		1	BLOCK, POSITIONING, DOOR		
7	FC6-4734-000		1	WASHER, SQUARE		
8	FC7-1765-000		1	HOOK, DRUM		
9	FK2-8114-000		1	CABLE, FLAT, OPERATION		
10	FK2-1067-000		1	MOTOR, STEPPING, DC24V	M201	
11	FC7-1766-000		1	HOLDER, DRUM HOOK		
12	FL2-3180-000		1	PLATE, HINGE, LOWER		
13	FL2-3181-000		1	HINGE PIN UNIT		
14	FM2-3383-000		1	LASER SCANNER ASSEMBLY		
15	FS7-8335-000		1	LABEL, LASER WARNING		
16	FU6-0803-000		1	GEAR, 31T		
17	FU6-2207-020		2	SPRING, TORSION		
18	FU6-2146-000		2	SPRING, COMPRESSION		
19	FC6-4135-000		1	CAM, PRESSURE, DEV.		
20	FU5-1498-000		1	BUSHING, DEVELOPING, REAR		
21	FU5-1499-000		1	BUSHING, DEVELOPING, FRONT		
22	XA9-1567-000		AR	SCREW, RS, M3X8.5		
23	FM4-0030-000		1	CABLE, FIXING MOTOR		
24	FC6-4693-000		1	SPRING, LEAF		
25	FC6-4244-000		1	ARM, RELEASE, DEVELOPPING		
26	FM4-0043-000		1	CABLE, BD-POLYGON		
27	VS1-7177-003		1	CONNECTOR, SNAP TIGHT, BK		
28	FM2-4401-000		1	CABLE, BD		
29	FC6-4118-000		1	PLATE, HINGE, UPPER		

FIGURE 103 INTERNAL COMPONENTS 2

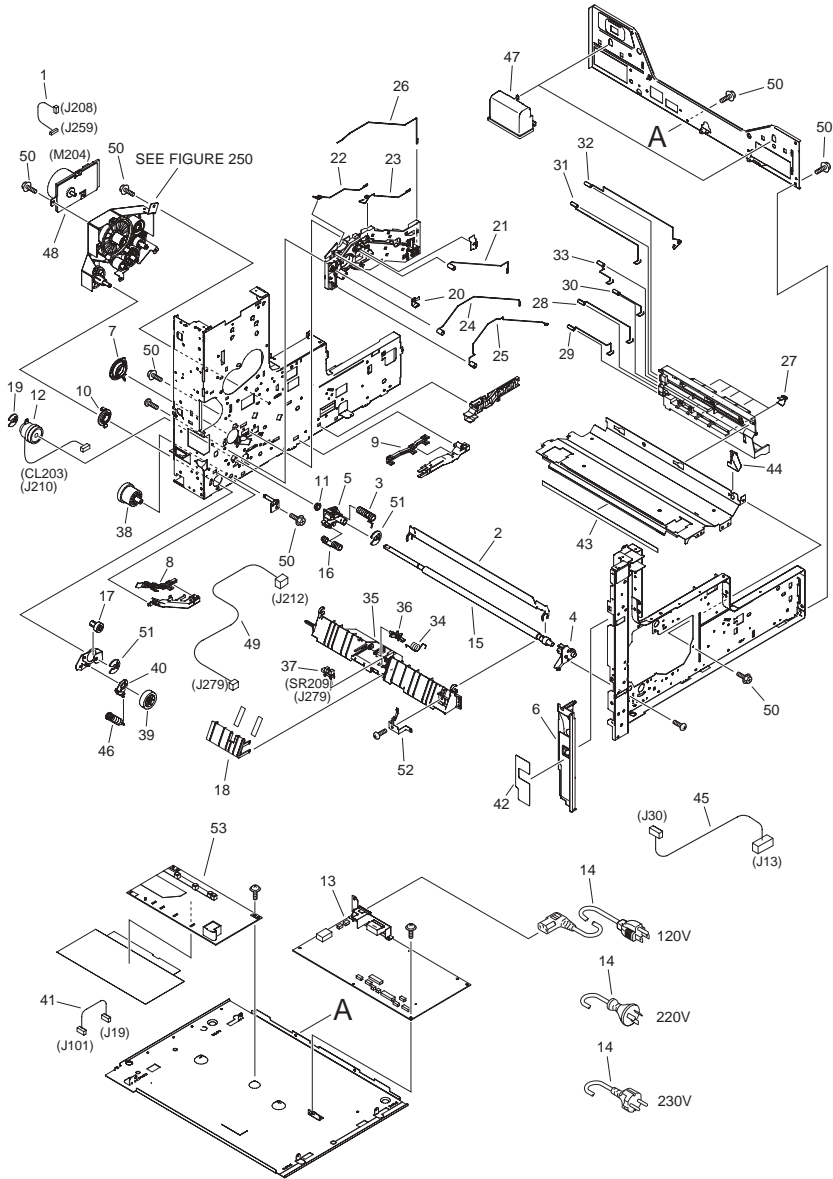


FIGURE & KEY NO.	PARTS NUMBER	R A N K	Q'TY	DESCRIPTION	SERIAL NUMBER/ REMARKS	S V C
Fig.103	NPN		1	INTERNAL COMPONENTS 2		
1	FM4-0034-000		1	CABLE, MAIN MOTOR	230V	
1	FM4-0042-000		1	CABLE, MAIN MOTOR	120V	
2	FC6-4305-000		1	GUIDE, TRANSFER, UPPER		
3	FC6-4306-000		1	SPRING		
4	FC6-4311-020		1	BUSHING, TRANSFER, FRONT		
5	FC6-4312-020		1	BUSHING, TRANSFER, REAR		
6	FC6-4399-020		1	COVER, INNER, LEFT-UP		
7	FC6-4435-000		1	BUSHING		
8	FC6-4446-000		1	LID, AC-1		
9	FC6-4447-000		1	LID, AC-2		
10	FC6-4495-000		1	BUSHING		
11	FA9-2112-000		1	BUSHING, PL		
12	FK2-5349-000		1	CLUTCH, REGISTRATION	CL203	
13	FK2-8103-000		1	POWER SUPPLY ASS'Y	120V EQL	
13	FK2-8102-000		1	POWER SUPPLY ASS'Y	230V EQM,EQV	
13	FK2-8101-000		1	POWER SUPPLY ASS'Y	230V EQS,EQR,EQN,EQW	
14	FM4-0040-000		1	CORD, POWER	120V EQL	
14	FM2-4787-000		1	CORD, POWER	230V EQM,EQV	
14	FM2-4786-000		1	CORD, POWER	230V EQS,EQR,EQN,EQW	
15	FL2-3213-000		1	ROLLER, REGISTRATION		
16	FU6-2176-000		1	SPRING, EARTH		
17	FU6-0806-000		1	GEAR, 17T		
18	FC6-4360-030		1	GUIDE, PRE-REGIST SENSOR		
19	FC6-3002-000		1	RING, RETAINING		
20	FC6-4148-000		1	TERMINAL, LEAF, FIXING BIAS		
21	FU6-2148-000		1	TERMINAL, CHARGE		
22	FU6-2149-000		1	TERMINAL, DEVELOPING		
23	FU6-2150-000		1	TERMINAL, DETECTION		
24	FU6-2151-000		1	TERMINAL, STATIC ELIMINATOR		
25	FU6-2152-000		1	TERMINAL, TRANSFER		

FIGURE & KEY NO.	PARTS NUMBER	R A N K	Q'TY	DESCRIPTION	SERIAL NUMBER/ REMARKS	S V C
26	FU6-2198-000		1	TERMINAL, FIXING		
27	FC6-4138-000		5	TERMINAL, LEAF, HVT		
28	FU6-2156-000		1	TERMINAL, CHARGE		
29	FU6-2157-000		1	TERMINAL, DEVELOPING		
30	FU6-2158-000		1	TERMINAL, DETECTION		
31	FU6-2159-000		1	TERMINAL, STATIC ELIMINATOR		
32	FU6-2195-000		1	TERMINAL, TRANSFER		
33	FU6-2199-000		1	TERMINAL, FIXING		
34	FC6-4308-000		1	SPRING, TORSION		
35	FC6-4309-030		1	GUIDE, PRE-REGIST, UPPER		
36	FC6-4310-000		1	FLAG, SENSOR, PRE-REGIST		
37	WG8-5696-000		1	PHOTO INTERRUPTER, TLP1243	SR209	
38	FU6-0794-000		1	GEAR, 29T		
39	FU6-0796-000		1	GEAR, 33T		
40	FC6-4191-000		1	STOPPER, MULTI FEED		
41	FM3-5751-000		1	CABLE, HVT POWER		
42	FU5-8606-000		1	LABEL, JAM CLEARING		
43	FC6-4205-000		1	SHEET, CLEANING		
44	FC6-4245-000		1	GUIDE, DEVELOPING		
45	FM2-4408-000		1	CABLE, FIXING HEATER		
46	FU6-2209-000		1	SPRING, TENSION		
47	FC6-4689-000		2	HANDLE		
48	FK2-8104-000		1	MOTOR, DC24V	M204	
49	FM2-4424-000		1	CABLE, RESIST SENSOR		
50	XA9-1567-000		AR	SCREW, RS, M3X8.5		
51	FA4-1159-000		2	RING, RETAINING		
52	FC6-4307-000		1	PLATE, ROLLER, REGIST		
53	FM3-5746-000		1	HVT PCB ASSEMBLY		

FIGURE 104 MACHINE REAR PLATE

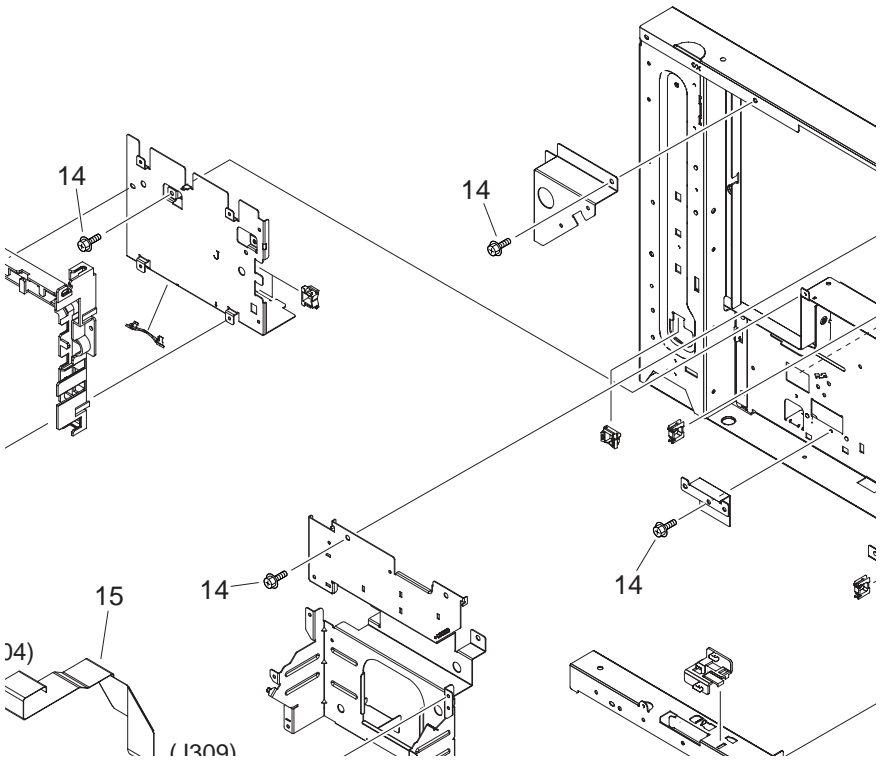
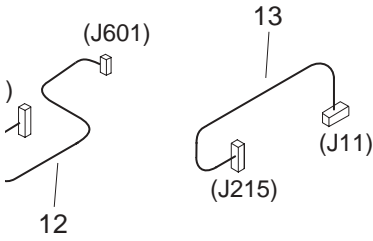


FIGURE & KEY NO.	PARTS NUMBER	R A N K	Q'TY	DESCRIPTION	SERIAL NUMBER/ REMARKS	S V C
Fig.104	NPN		RF	MACHINE REAR PLATE		
1	FB6-1722-000		3	BUSHING, SQUARE		
2	FK2-1058-000		1	CABLE, FLAT, HVT		
3	FK2-8111-000		1	CABLE, FLAT, DC		
4	FM2-4410-000		1	CABLE, FIXING ASSEMBLY		
5	FM4-0650-000		1	IMAGE PROCESSOR PCB ASS'Y	imageRUNNER Series,iR2320L,iR2318L	
5	FM4-0652-000		1	IMAGE PROCESSOR PCB ASS'Y	iR2320N	
5	FM4-0653-000		1	IMAGE PROCESSOR PCB ASS'Y	iR2420D	
6	VS1-7177-010		1	CONNECTOR, SNAP TIGHT, BK		
7	FC6-4691-000		1	CAP, GRIP, REAR		
8	VS1-7207-007		1	CONNECTOR, SNAP TIGHT		
9	FM4-0027-000		1	DC CONTROLLER PCB ASSEMBLY		
10	VS1-7207-006		1	CONNECTOR, SNAP TIGHT		
11	FM2-4416-000		1	CABLE, LEFT DOOR		
12	FM2-4414-000		1	CABLE, LASER		
13	FM4-0038-000		1	CABLE, DC CONTROLLER		
14	XA9-1567-000		AR	SCREW, RS, M3X8.5		
15	FK2-8112-000		1	CABLE, FLAT		
16	FK2-8113-000		1	CABLE, FLAT		
17	FC9-4265-000		1	GUIDE, CABLE		

FIGURE 130 CONTROL PANEL ASSEMBLY

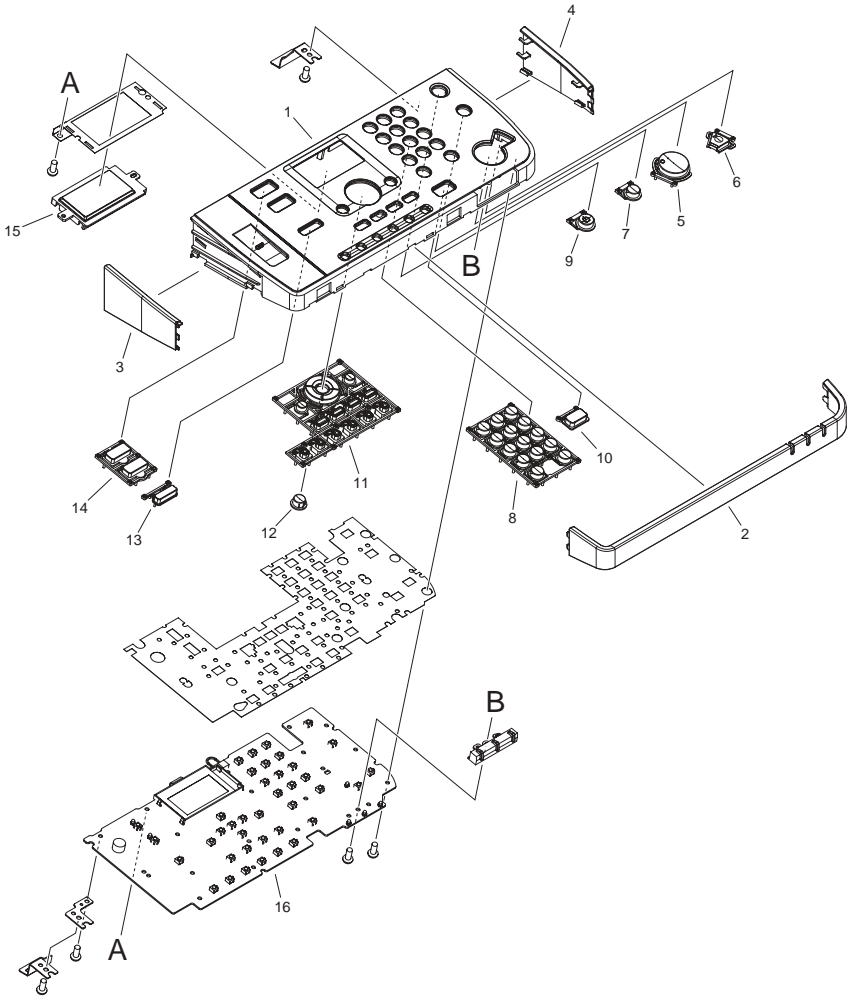
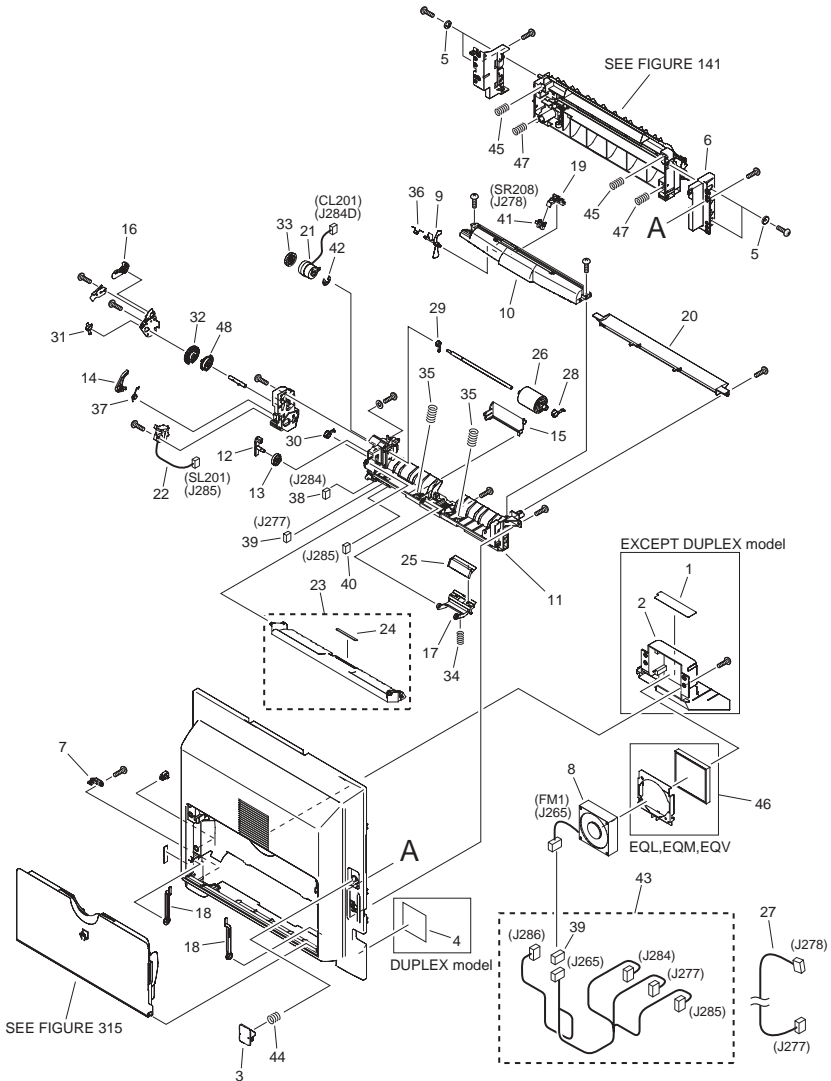


FIGURE & KEY NO.	PARTS NUMBER	R A N K	Q'TY	DESCRIPTION	SERIAL NUMBER/ REMARKS	S V C
Fig.130	FM4-0640-000		1	CONTROL PANEL ASSEMBLY	English	
Fig.130	FM4-0641-000		1	CONTROL PANEL ASSEMBLY	Chinese	
1	FL3-2110-000		1	COVER, CONTROL PANEL	English	
1	FL3-2111-000		1	COVER, CONTROL PANEL	Chinese	
2	FC9-4301-000		1	COVER, CONTROL PANEL, CENTER		
3	FC9-4302-000		1	COVER, CONTROL PANEL, LEFT		
4	FC9-4303-000		1	COVER, CONTROL PANEL, RIGHT		
5	FC9-4304-000		1	KEY TOP, START		
6	FC9-4305-000		1	KEY TOP, STOP		
7	FC9-4306-000		1	KEY TOP, USER MODE		
8	FC9-4307-000		1	KEY TOP, NUMBERS		
9	FC9-4308-000		1	KEY TOP, POWER SUPPLY		
10	FC9-4309-000		1	KEY TOP, RESET		
11	FC9-4311-000		1	KEY TOP, RING		
12	FC9-4312-000		1	KEY TOP, OK		
13	FC9-4313-000		1	KEY TOP, CANCEL		
14	FC9-4314-000		1	KEY TOP, SYSTEM		
15	FC9-4318-000		1	WINDOW, LCD		
16	FM4-0029-000		1	CONTROL PANEL PCB ASSEMBLY		

FIGURE 140 LEFT DOOR ASSEMBLY

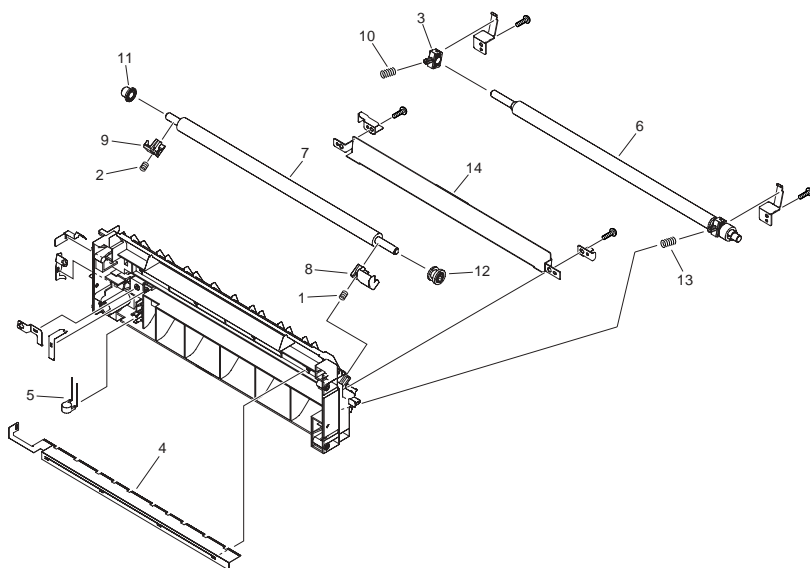


NOTE 1 : This assembly includes the assemblies shown in Figure 141 and 315.
 NOTE 2 : This assembly includes the assemblies shown in Figure S20 and S50.(DUPLEX model)
 注 1 : このユニットはFigure 141,315のユニットを含みます。
 注 2 : このユニットはFigure S20,S50のユニットを含みます。(両面モデル)

FIGURE & KEY NO.	PARTS NUMBER	R A N K	Q'TY	DESCRIPTION	SERIAL NUMBER/ REMARKS	S V C
Fig.140	FM2-3330-300		1	LEFT DOOR ASSEMBLY	SEE NOTE EQL,EQM,EQV	
Fig.140	FM3-6924-000		1	LEFT DOOR ASSEMBLY	SEE NOTE EQN	
Fig.140	FM3-8304-000		1	LEFT DOOR ASSEMBLY	SEE NOTE EQS,EQR,EQW	
1	FU5-8607-000		1	LABEL, WARNING, ROLLER	EXCEPT DUPLEX model	
2	FC6-4376-000		1	HOLDER, FAN	EXCEPT DUPLEX model	
3	FC6-4386-000		1	BUTTON, PUSH		
4	FU5-8699-000		1	LABEL, JAM CLEAR	DUPLEX model	
5	FC6-4413-000		4	SPACER, FRAME, FEED		
6	FC6-4414-000		1	MOUNT, FRAME, FEED		
7	FC6-7103-020		1	BLOCK, COVER		
8	FK2-1084-000		1	FAN	FM1	
9	FC6-4209-020		1	FLAG, SENSOR		
10	FC6-4210-000		1	COVER, ROLLER		
11	FC6-4211-000		1	GUIDE, MULTI FEED		
12	FC6-4224-000		1	SUPPORT, CAM, LIFTING		
13	FC8-0168-000		1	CAM, LIFTING PLATE		
14	FC6-4227-020		1	ARM, MULTI FEED		
15	FC6-4232-000		1	COVER, HARNESS		
16	FC8-0167-000		1	STOPPER, SWING PLATE		
17	FC6-4234-000		1	ARM, PAD, SEPARATION		
18	FC6-4238-000		2	STOPPER, MULTI FEED		
19	FC6-4239-000		1	HOLDER, SENSOR		
20	FC6-4377-000		1	GUIDE, FEED		
21	FK2-1070-000		1	CLUTCH, ELECTROMAGNETIC	CL201	
22	FK2-1072-000		1	SOLENOID	SL201	
23	FL2-3200-000		1	LIFTING PLATE ASSEMBLY		
24	FC5-0543-000		1	SHEET, SEPARATION		
25	FL2-3201-000		1	SEPARATION PAD ASSY		
26	FL2-3202-000		1	ROLLER, PICK-UP		
27	FM2-4421-000		1	HARNESS, SENSOR, PAPER		
28	FU5-1527-000		1	BUSHING, ROLLER, PICK-UP		

FIGURE & KEY NO.	PARTS NUMBER	R A N K	Q'TY	DESCRIPTION	SERIAL NUMBER/ REMARKS	S V C
29	FU5-1528-000		1	BUSHING, SHAFT, PICK-UP		
30	FU5-1529-000		1	BUSHING, SHAFT, CAM (F)		
31	FU5-1530-000		1	BUSHING, SHAFT, CAM (R)		
32	FC8-0165-000		1	GEAR, MULTI FEED		
33	FU6-0814-000		1	GEAR, 25T		
34	FU6-2180-000		1	SPRING, COMPRESSION		
35	FU7-2221-000		2	SPRING, COMPRESSION		
36	FU6-2182-000		1	SPRING, TORSION		
37	FU7-2222-000		1	SPRING, TORSION		
38	VS1-7177-002		1	CONNECTOR, SNAP TIGHT, BK		
39	VS1-7177-003		2	CONNECTOR, SNAP TIGHT, BK		
40	VS1-7177-004		1	CONNECTOR, SNAP TIGHT, BK		
41	WG8-5696-000		1	PHOTO INTERRUPTER, TLP1243	SR208	
42	XD9-0136-000		1	RING, E		
43	FM2-4417-000		1	CABLE, LEFT DOOR		
44	FU6-2160-000		1	SPRING, COMPRESSION		
45	FU6-2162-000		2	SPRING, COMPRESSION		
46	FM2-3331-000		1	FILTER UNIT	EQL,EQM,EQV	
47	FU6-2178-000		2	SPRING, COMPRESSION		
48	FC8-0166-000		1	GEAR, 39T		

FIGURE 141 TRANSFER MOUNT ASSEMBLY



NOTE : This assembly is included in the assembly shown in Figure 140.
注 : このユニットはFigure 140のユニットに含まれます。

FIGURE & KEY NO.	PARTS NUMBER	R A N K	Q'TY	DESCRIPTION	SERIAL NUMBER/ REMARKS	S V C
Fig.141	FM2-3315-000		1	TRANSFER MOUNT ASSEMBLY	SEE NOTE	
1	FU6-2171-000		1	SPRING, TRANSFER ROLLER, LEFT		
2	FU5-2476-000		1	SPRING, TRANSFER ROLLER, RIGHT		
3	FC6-4317-000		1	BUSHING, REGIST ROLLER		
4	FC6-4324-000		1	ELIMINATOR, STATIC CHARGE		
5	FH5-3543-000		1	VARISTOR		
6	FL2-3214-000		1	REGIST ROLLER ASSEMBLY		
7	FC6-4313-000		1	ROLLER, TRANSFER		
8	FC6-4314-030		1	BUSHING, TRANSFER, FRONT		
9	FC6-4315-000		1	BUSHING, TRANSFER, LOWER		
10	FU6-2173-000		1	SPRING, COMPRESSION		
11	FC6-4316-000		1	ROLLER		
12	FU6-0773-000		1	GEAR, 30T		
13	FU6-2177-020		1	SPRING, COMPRESSION		
14	FL2-3211-000		1	GUIDE, PRE-TRANS., LW.		

FIGURE 250 MAIN DRIVE ASSEMBLY

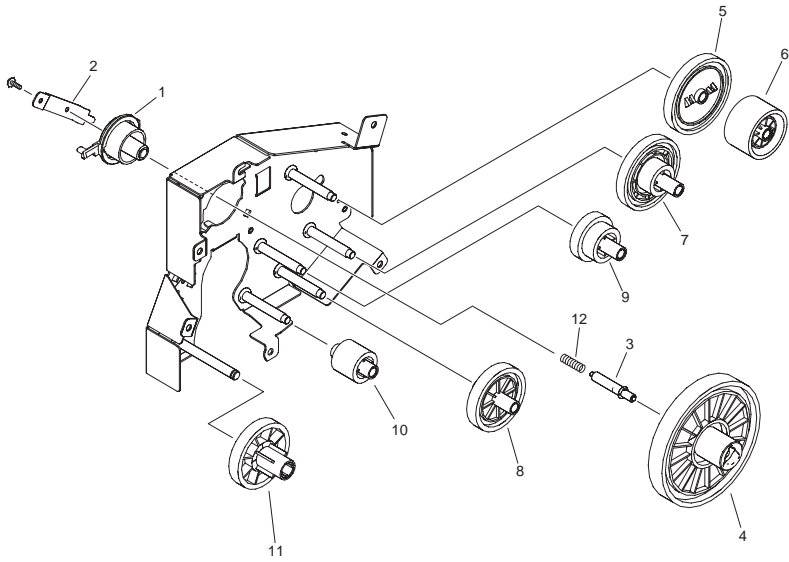


FIGURE & KEY NO.	PARTS NUMBER	R A N K	Q'TY	DESCRIPTION	SERIAL NUMBER/ REMARKS	S V C
Fig.250	NPN		RF	MAIN DRIVE ASSEMBLY		
1	FC6-4436-000		1	BUSHING		
2	FC6-4437-000		1	PLATE, EARTH		
3	RB2-1850-000		1	PIN		
4	FU6-0788-000		1	GEAR, 161T		
5	FU6-0766-000		1	GEAR, 13T		
6	FU6-0767-000		1	GEAR, 9T		
7	FU6-0790-000		1	GEAR, 25T/91T		
8	FU6-0791-000		1	GEAR, 53T		
9	FU6-0792-000		1	GEAR, 37T/28T		
10	FU6-0793-000		1	GEAR, 25T		
11	FU6-0795-000		1	GEAR, 55T		
12	FU6-2184-000		1	SPRING, EARTH		

FIGURE 280 FIXING DRIVE ASSEMBLY

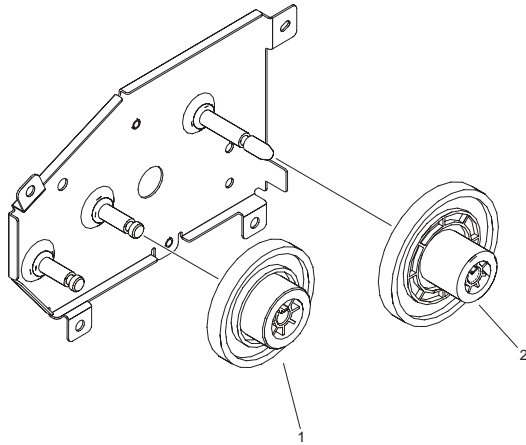


FIGURE & KEY NO.	PARTS NUMBER	RANK	QTY	DESCRIPTION	SERIAL NUMBER/REMARKS	SVC
Fig.280	FM2-3350-000		1	FIXING DRIVE ASSEMBLY		
1	FU6-0802-000		1	GEAR, 80T/17T		
2	FU6-0804-000		1	GEAR, 91T/19T		

FIGURE 300 CASSETTE UNIT

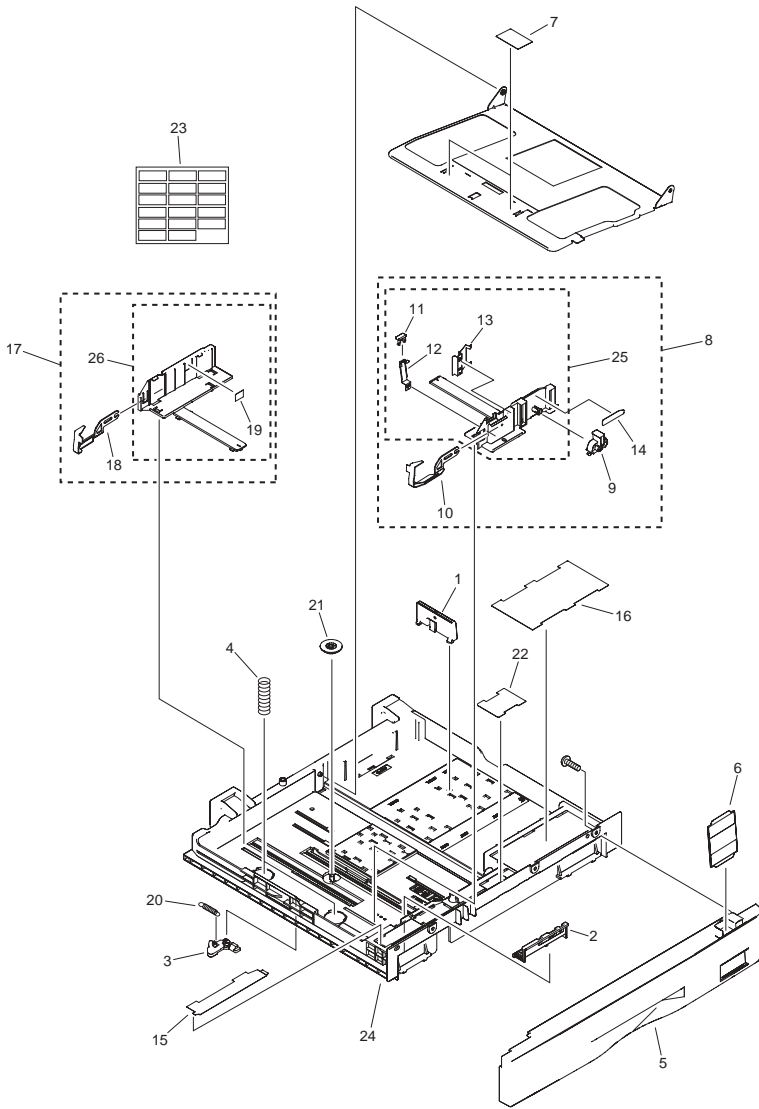


FIGURE & KEY NO.	PARTS NUMBER	R A N K	Q'TY	DESCRIPTION	SERIAL NUMBER/ REMARKS	S V C
Fig.300	NPN		RF	CASSETTE UNIT		
1	FB4-5814-000		1	PLATE, SIZE, REAR		
2	FB6-1640-000		1	LEVER, PAPER SIZE		
3	FB6-1644-000		1	LOCK, PAPER LIFTING PLATE		
4	FB6-2000-000		2	SPRING, COMPRESSION		
5	FC6-4337-000		1	COVER, CASSETTE		
6	FC6-4361-000		1	PLATE, SIZE INDICATOR		
7	FB6-1650-000		2	SHEET, SEPARATION		
8	FM2-3325-000		1	PAPER SIDE GUIDE (F) UNIT		
9	FB4-5809-020		1	LEVER, LOCK		
10	FB4-5813-020		1	PLATE, HOLD-DOWN TAB		
11	FB4-5810-000		1	PLATE, PAPER CONTACT		
12	FB6-1646-000		1	SPRING, LEAF		
13	FB6-1649-000		1	SPRING, LEAF		
14	FU5-8588-000		1	LABEL, SIDE LOCK		
15	FU6-8460-000		1	LABEL, PAPER SIZE SETTING		
16	FU6-8461-000		1	LABEL, PAPER SUPPLY		
17	FM2-3326-000		1	PAPER SIDE GUIDE (R) UNIT		
18	FB4-5808-020		1	PLATE, HOLD-DOWN TAB		
19	FB4-5824-000		1	LABEL, LIMIT		
20	FS6-2917-000		1	SPRING, TENSION		
21	FS7-0207-000		1	GEAR, 20T		
22	FU5-8601-000		1	SHEET, WARNING		
23	FU6-8457-000		1	LABEL, PAPER SIZE		
24	FC8-0269-000		1	BODY, CASSETTE		
25	FL2-3287-000		1	PLATE, PAPER SIDE END, FRONT		
26	FL2-3288-000		1	PLATE, PAPER SIDE END, REAR		

FIGURE 310 CASSETTE FEEDER ASSEMBLY

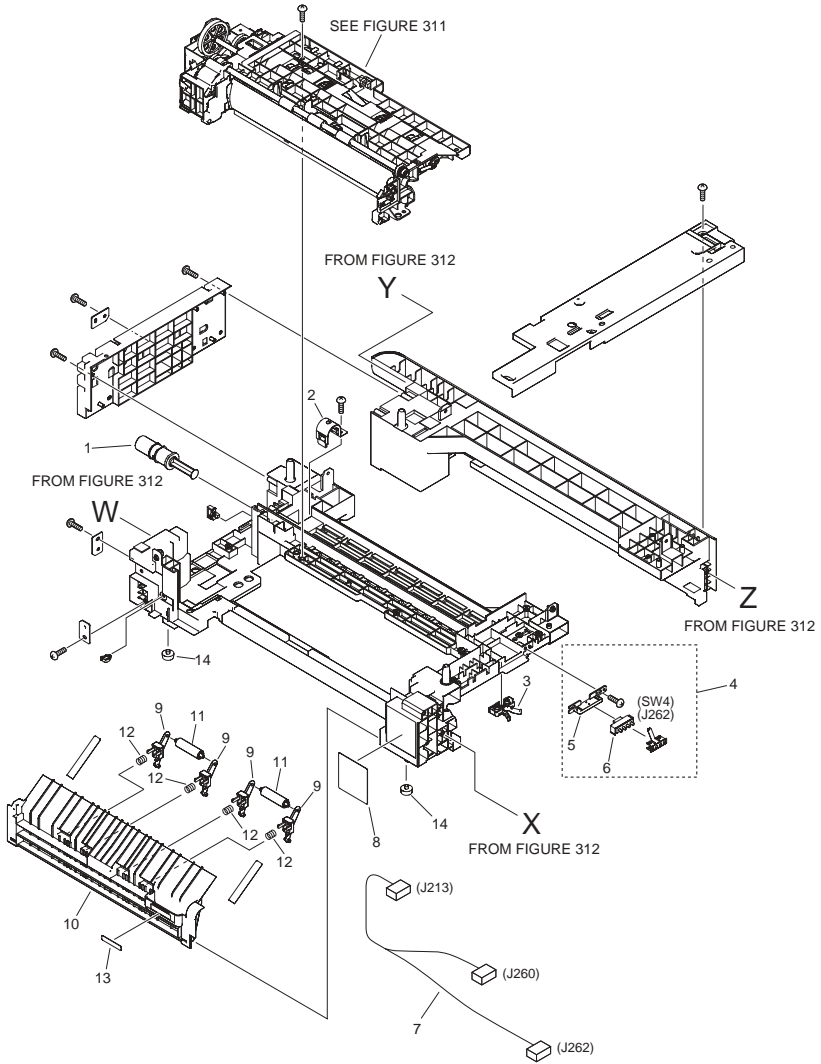


FIGURE & KEY NO.	PARTS NUMBER	R A N K	Q'TY	DESCRIPTION	SERIAL NUMBER/ REMARKS	S V C
Fig.310	NPN		RF	CASSETTE FEEDER ASSEMBLY		
1	FB4-5532-000		1	DAMPER		
2	FB6-1608-000		1	HOLDER, DAMPER		
3	FC6-4357-000		1	BLOCK, POSITION		
4	FM2-3319-000		1	SIZE DETECTION ASS'Y		
5	FB6-1910-000		1	MOUNT, SIZE SENSOR		
6	WC2-5332-000		1	SWITCH, PAPER SIZE	SW4	
7	FM2-4403-000		1	CABLE, CASSETTE		
8	FU5-8585-000		1	LABEL, JAM CLEARING		
9	FC6-4297-000		4	BUSHING, ROLLER, VERTICAL		
10	FC6-4298-000		1	COVER, CASSETTE, LEFT		
11	FC6-4300-000		2	ROLLER, VERTICAL PASS		
12	FU6-2170-000		4	SPRING, COMPRESSION		
13	FU5-8586-000		1	LABEL, COVER		
14	XH9-0135-000		2	FOOT, RUBBER		

FIGURE 311 PAPER PICK-UP ASSEMBLY

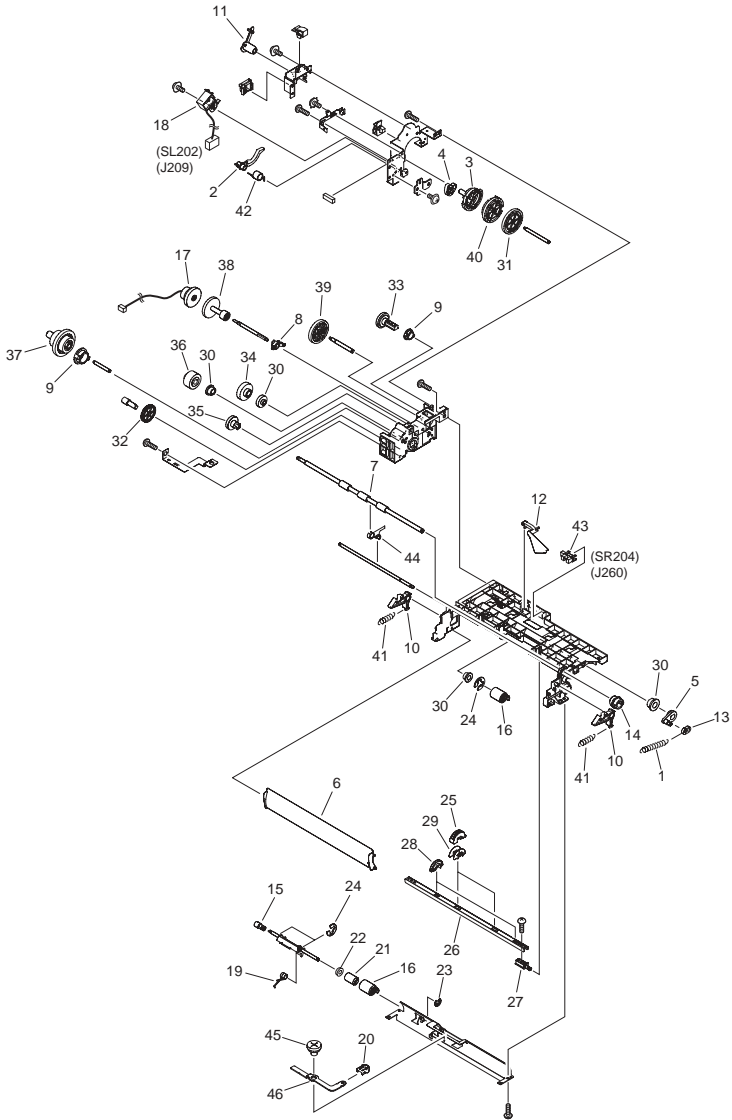


FIGURE & KEY NO.	PARTS NUMBER	R A N K	Q'TY	DESCRIPTION	SERIAL NUMBER/ REMARKS	S V C
Fig.311	FM2-3320-050		1	PAPER PICK-UP ASSEMBLY		
1	FB6-1550-000		1	SPRING, TENSION		
2	FB6-1626-000		1	LEVER, COUPLING		
3	FC6-4389-000		1	GEAR, 33T/50T		
4	FB6-1660-000		1	CAM		
5	FB6-1909-000		1	BUSHING		
6	FC6-4285-000		1	GUIDE, TURN		
7	FC6-4286-000		1	ROLLER, VERTICAL PATH		
8	FC6-4291-000		1	BUSHING, CLUTCH		
9	FC6-4304-000		2	BUSHING, ROLLER, PICK-UP		
10	FC6-4326-000		2	LOCK, VERTICAL PASS		
11	FC6-4348-000		1	BUSHING, CLUTCH, REAR		
12	FC6-4350-000		1	ARM, DETECTION, PAPER		
13	FC6-4352-000		1	COLLAR, SPRING		
14	FC6-4355-000		1	BUSHING		
15	FC6-4358-000		1	JOINT, RETARD		
16	FF6-1621-000		2	ROLLER, SEPARATION		
17	FK2-1068-000		1	CLUTCH, ELECTROMAGNETIC		
18	FK2-1082-000		1	SOLENOID	SL202	
19	FU7-2234-000		1	SPRING, TORSION		
20	FB6-1908-000		1	CAP		
21	FC6-4290-000		1	LIMITER, TORQUE		
22	FB6-1541-000		1	BUSHING		
23	XD9-0133-000		1	RING, E		
24	XD9-0136-000		3	RING, E		
25	FB4-9817-030		2	ROLLER, PICK-UP		
26	FC6-4284-000		1	SHAFT, ROLLER, PICK-UP		
27	FC6-4351-000		1	SHAFT, ROLLER		
28	FC6-4356-000		2	ROLLER, LOOP		
29	FE5-4048-000		2	BLOCK, PICK-UP ROLLER ADPTER		
30	FS1-1205-000		4	BUSHING		
31	FS7-0225-000		1	GEAR, 53T		

FIGURE & KEY NO.	PARTS NUMBER	R A N K	Q'TY	DESCRIPTION	SERIAL NUMBER/ REMARKS	S V C
32	FS7-0226-000		1	GEAR, 36T		
33	FS7-0228-000		1	GEAR, 31T		
34	FS7-0229-000		1	GEAR, 18T		
35	FS7-0230-000		1	GEAR, 27T		
36	FU6-0769-000		1	GEAR, 17T	EQL,EQM,EQV	
36	FU7-0923-000		1	GEAR, 17T	EQS,EQR,EQN,EQW	
37	FU6-0770-000		1	GEAR, 21T/37T/22T		
38	FU6-0771-030		1	GEAR, 16T/34T		
39	FU6-0775-000		1	GEAR, 39T		
40	FU6-0776-030		1	GEAR, 29T		
41	FU6-2174-000		2	SPRING, TENSION		
42	FU6-2175-000		1	SPRING, TORSION		
43	WG8-5696-000		1	PHOTO INTERRUPTER, TLP1243	SR204	
44	FC7-1770-000		1	BUSHING		
45	FS5-9714-000		1	SCREW, STEPPED, M3		
46	FC6-4288-020		1	LEVER, PRESSURE		

FIGURE 312
CASSETTE FEEDER ASSEMBLY(2 CASSETTE UNIT
model)

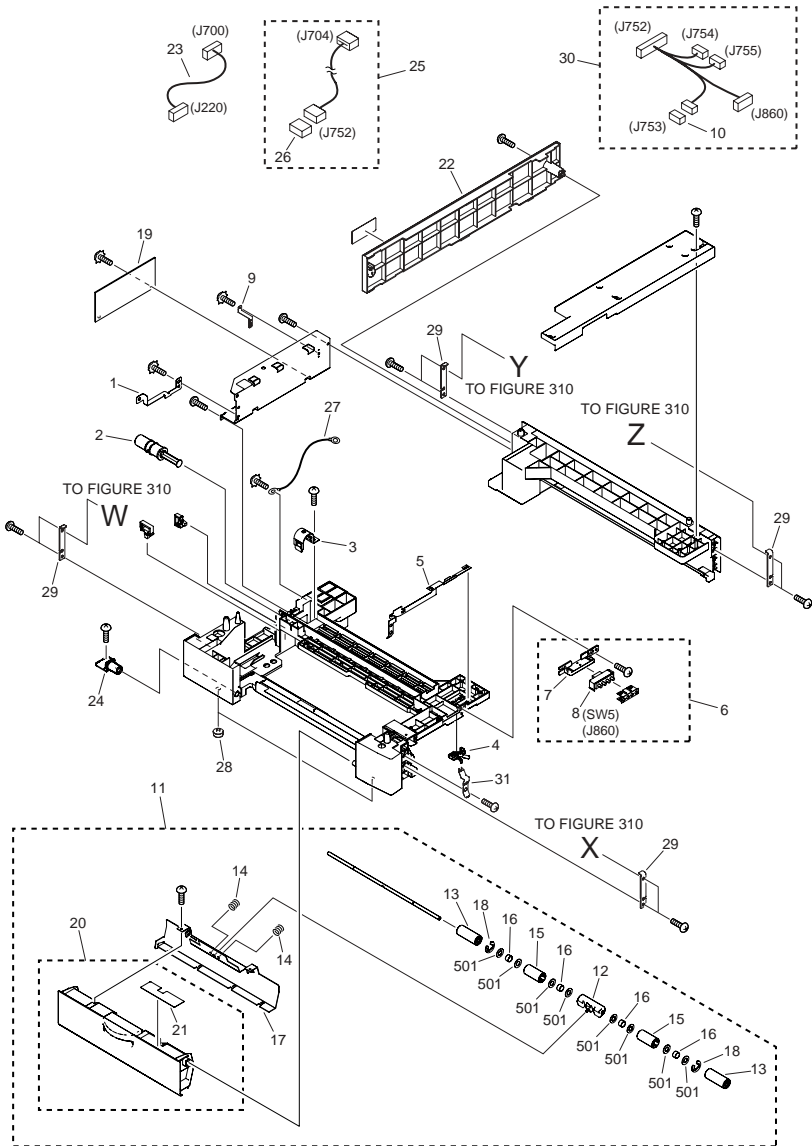


FIGURE & KEY NO.	PARTS NUMBER	R A N K	Q'TY	DESCRIPTION	SERIAL NUMBER/ REMARKS	S V C
Fig.312	NPN		RF	CASSETTE FEEDER ASSEMBLY	2 CASSETTE UNIT model	
1	FC6-6720-000		1	PLATE, GROUNDING		
2	FB4-5532-000		1	DAMPER		
3	FB6-1608-000		1	HOLDER, DAMPER		
4	FC6-4357-000		1	BLOCK, POSITION		
5	FC6-6706-000		1	PLATE, EARTH		
6	FG6-8440-000		1	SIZE DETECTION ASS'Y		
7	FB6-1910-000		1	MOUNT, SIZE SENSOR		
8	WC2-5332-000		1	SWITCH, PAPER SIZE	SW5	
9	FC6-6720-000		1	PLATE, GROUNDING		
10	VS1-7177-002		1	CONNECTOR, SNAP TIGHT, BK		
11	FM2-4483-000		1	VERTICAL PATH UNIT		
12	FA8-2447-000		1	MOUNT, ROLLER		
13	FB6-1536-000		2	ROLLER		
14	FB6-1920-000		2	SPRING, COMPRESSION		
15	FB6-1996-000		2	ROLLER, VERTICAL PATH		
16	FB6-1997-000		4	SPRING, COMPRESSION		
17	FC6-6714-000		1	GUIDE, VERTICAL PATH		
18	XD9-0136-000		2	RING, E		
19	FM2-4495-000		1	FEEDER CONTROLLER PCB ASS'Y		
20	FL2-3736-000		1	COVER, VERTICAL PATH		
21	FU5-8680-000		1	LABEL,JAM		
22	FC6-6710-000		1	COVER, CASSETTE, REAR		
23	FM2-4497-000		1	CABLE, INTERFACE, 1		
24	FC6-6718-000		1	SHAFT, COVER		
25	FM2-4499-000		1	CABLE, FEEDER		
26	VS1-7177-013		1	CONNECTOR, SNAP TIGHT		
27	FM2-4500-000		2	CABLE, EARTH		
28	XH9-0135-000		2	FOOT, RUBBER		
29	FC8-0353-000		4	PLATE, JOINT		
30	FM2-4496-000		1	CABLE, FEEDER		
31	FC6-6712-000		1	PLATE, EARTH		

FIGURE & KEY NO.	PARTS NUMBER	R A N K	Q'TY	DESCRIPTION	SERIAL NUMBER/ REMARKS	S V C
501	XD1-1106-235		8	WASHER,COP		

FIGURE 313
PAPER PICK-UP ASSEMBLY(2 CASSETTE UNIT
model)

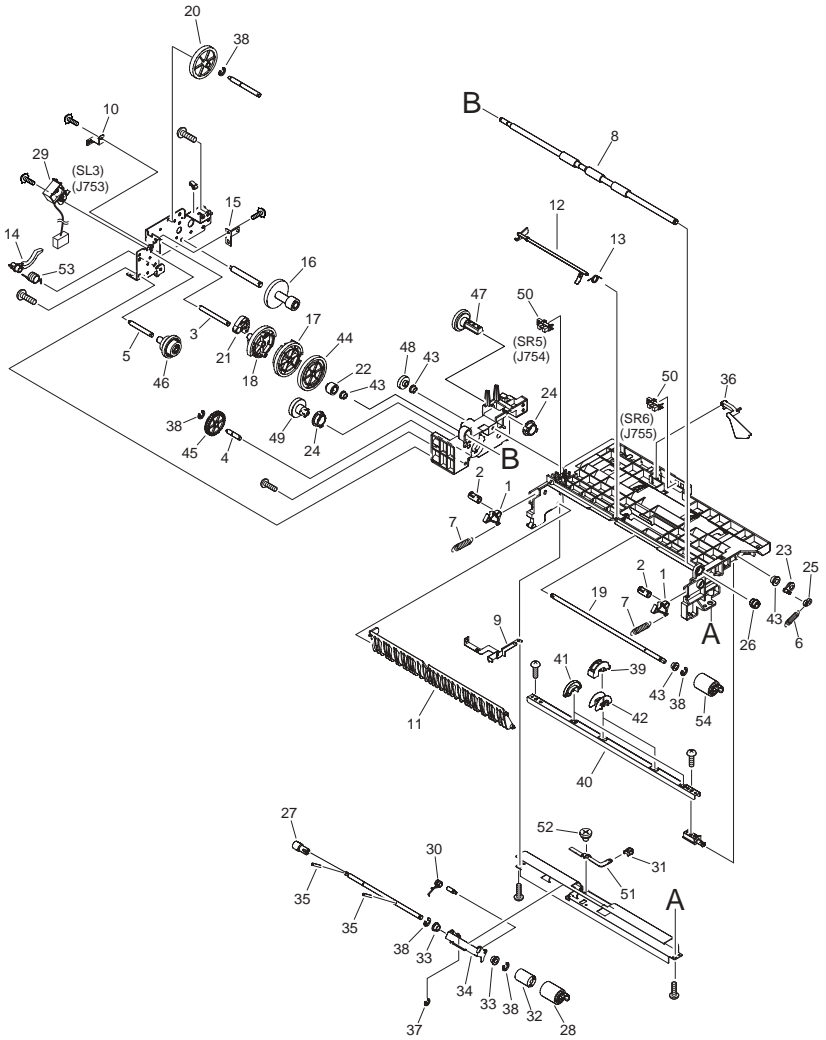
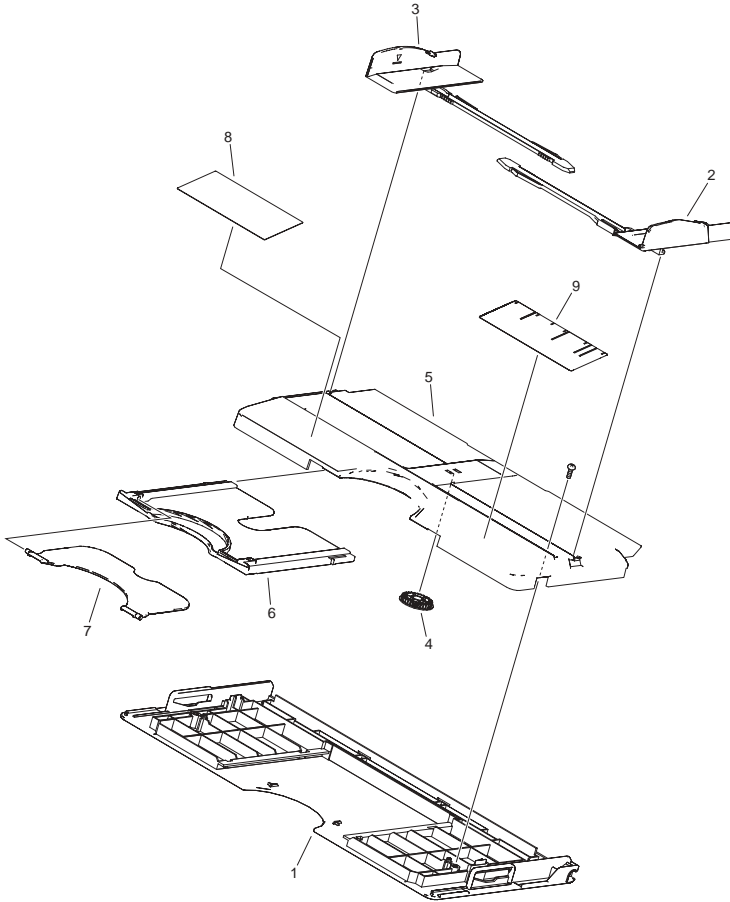


FIGURE & KEY NO.	PARTS NUMBER	R A N K	Q'TY	DESCRIPTION	SERIAL NUMBER/ REMARKS	S V C
Fig.313	FM2-4596-000		1	PAPER PICK-UP ASSEMBLY	2 CASSETTE UNIT model	
1	FA8-2448-000		1	PAWL, LOCK		
2	FA8-2449-000		2	SHAFT, LOCK		
3	FB4-6032-000		2	SHAFT, CLUCH		
4	FB4-6033-000		1	SHAFT, IDLER		
5	FB4-6034-000		1	SHAFT		
6	FB6-1550-000		1	SPRING, TENSION		
7	FB6-1551-000		1	SPRING, TENSION		
8	FC8-0172-000		2	ROLLER, VERTICAL PATH		
9	FB6-1614-000		1	PLATE, GROUNDING		
10	FB6-1615-000		1	PLATE, GROUNDING		
11	FB6-1616-000		1	GUIDE, VERTICAL PATH		
12	FL2-9922-000		1	ARM, FEED SENSOR		
13	FB6-1624-000		1	SPRING, TORSION		
14	FB6-1626-000		1	LEVER, COUPLING		
15	FB6-1628-000		1	PLATE, GROUNDING		
16	FC8-0160-000		1	GEAR, 16T/34T		
17	FC6-4389-000		1	GEAR, 33T/50T		
18	FB6-1634-000		1	GEAR, 29T		
19	FB6-1635-000		1	SHAFT		
20	FB6-1636-000		1	GEAR, 39T		
21	FB6-1660-000		1	CAM		
22	FB6-1905-000		1	GEAR, 14T		
23	FB6-1909-000		1	BUSHING		
24	FC6-4304-000		2	BUSHING, ROLLER, PICK-UP		
25	FC6-4352-000		1	COLLAR, SPRING		
26	FB6-1909-000		1	BUSHING		
27	FC6-4358-000		1	JOINT, RETARD		
28	FF6-1621-000		1	ROLLER, SEPARATION		
29	FK2-1104-000		1	SOLENOID	SL3	
30	FU7-2234-000		1	SPRING, TORSION		
31	FB6-1908-000		1	CAP		

FIGURE & KEY NO.	PARTS NUMBER	R A N K	Q'TY	DESCRIPTION	SERIAL NUMBER/ REMARKS	S V C
32	FC6-4290-000		1	LIMITER, TORQUE		
33	FC6-4355-000		1	BUSHING		
34	FF6-1610-000		1	HOLDER, SEPARATION ROLLER		
35	XD3-1200-122		2	SPRING PIN		
36	FC6-4350-000		1	ARM, DETECTION, PAPER		
37	XD9-0133-000		1	RING, E		
38	XD9-0136-000		5	RING, E		
39	FB4-9817-030		2	ROLLER, PICK-UP		
40	FB6-1631-030		1	SHAFT, PICK-UP ROLLER		
41	FC6-4356-000		2	ROLLER, LOOP		
42	FE5-4048-000		2	BLOCK, PICK-UP ROLLER ADPTER		
43	FS1-1205-000		4	BUSHING		
44	FS7-0225-000		1	GEAR, 53T		
45	FS7-0226-000		1	GEAR, 36T		
46	FS7-0227-000		1	GEAR, 21T/33T/22T		
47	FS7-0228-000		1	GEAR, 31T		
48	FS7-0229-000		1	GEAR, 18T		
49	FS7-0230-000		1	GEAR, 27T		
50	WG8-5624-000		2	IC, PHOTO INTERRUPTER	SR5,SR6	
51	FC6-4288-020		1	LEVER, PRESSURE		
52	FS5-9714-000		1	SCREW, STEPPED, M3		
53	FU6-2175-000		1	SPRING, TORSION		
54	FC8-0170-000		1	ROLLER, SEPARATION		

FIGURE 315 MULTI FEED TRAY ASS'Y



NOTE1 : This assembly is included in the assmby shown in Figure 140.

NOTE2 : This assembly does not include the part shown with key No.9.

注1 : このユニットはFigure140のユニットに含まれます。

注2 : このユニットにKey No.9の部品は含まれません。

FIGURE & KEY NO.	PARTS NUMBER	R A N K	Q'TY	DESCRIPTION	SERIAL NUMBER/ REMARKS	S V C
Fig.315	FM2-3294-000		1	MULTI FEED TRAY ASSY	SEE NOTE	
1	FC6-4215-000		1	COVER, MULTI FEED		
2	FC6-4218-000		1	PLATE, LIMIT, FRONT		
3	FC6-4219-000		1	PLATE, LIMIT, REAR		
4	FC6-4220-000		1	GEAR, PINION		
5	FC6-4221-000		1	TRAY, MULTI FEED		
6	FC6-4222-000		1	TRAY, MULTI FEED, SUB (L)		
7	FC6-4223-000		1	TRAY, MULTI FEED, SUB (S)		
8	FU5-8605-000		1	LABEL, SET		
9	FU5-8589-000		1	LABEL, SIZE INSTRUCTION	SEE NOTE A/INCH SIZE	
9	FU5-8604-000		1	LABEL, SIZE INSTRUCTION	SEE NOTE A/B/K SIZE	

FIGURE 350 PAPER DELIVERY ASSEMBLY

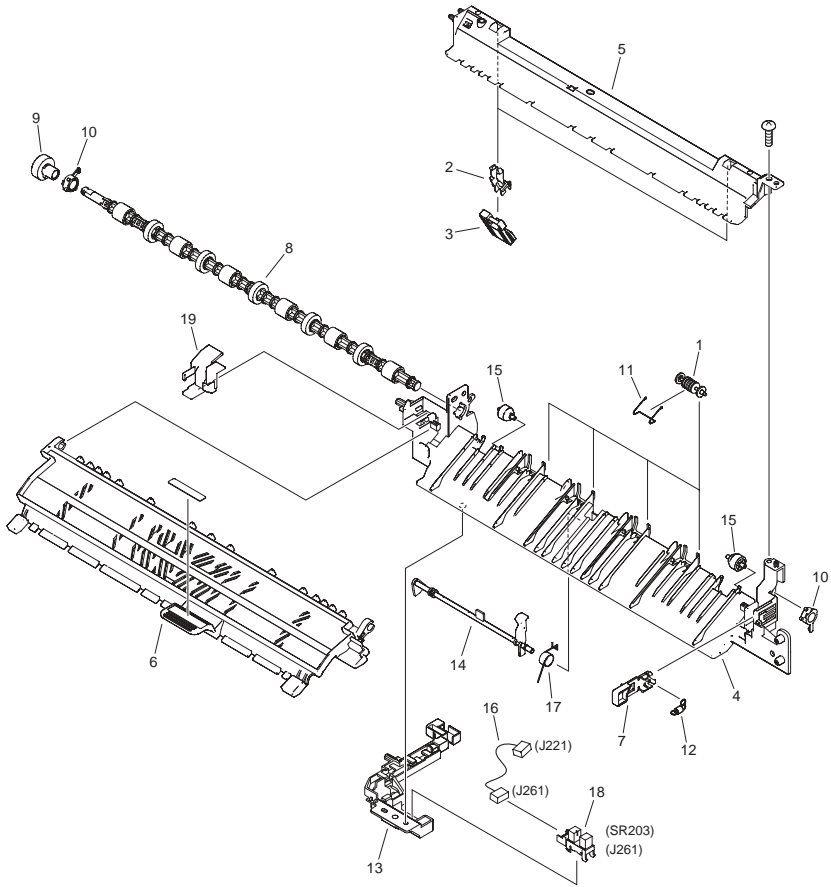
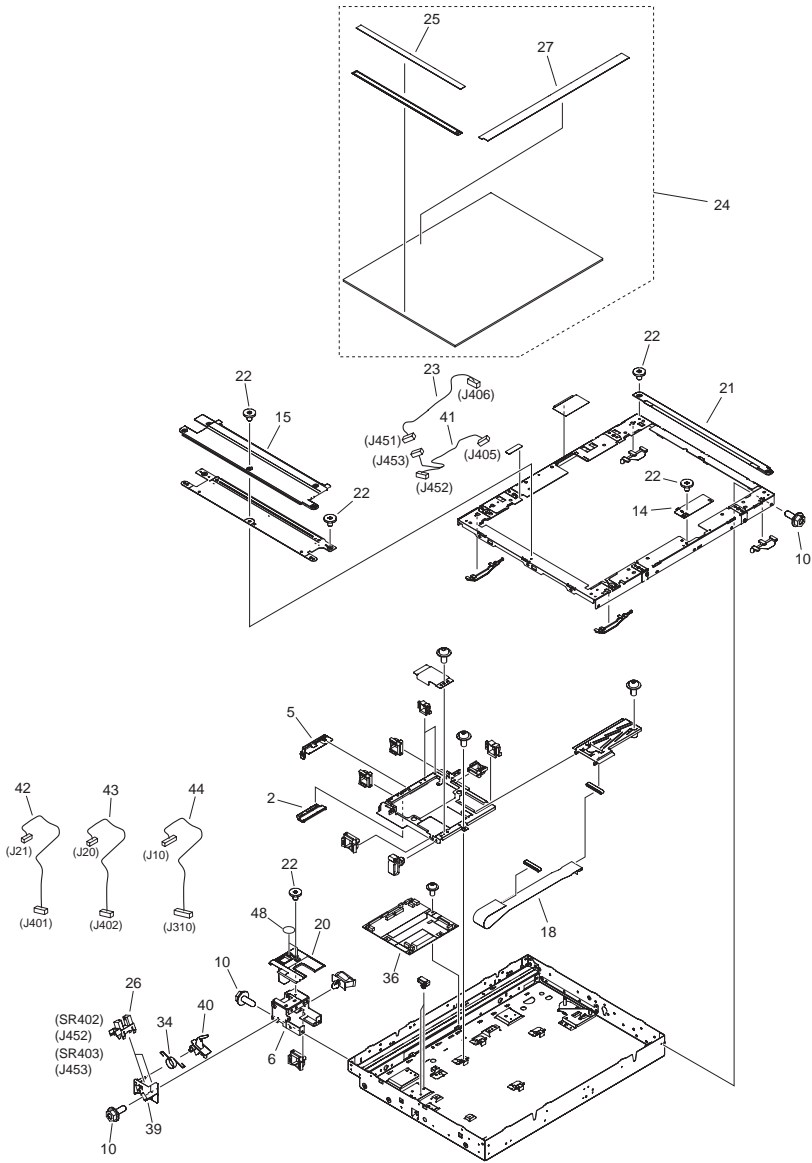


FIGURE & KEY NO.	PARTS NUMBER	R A N K	Q'TY	DESCRIPTION	SERIAL NUMBER/ REMARKS	S V C
Fig.350	FM2-3351-000		1	PAPER DELIVERY ASSEMBLY		
1	FC5-4847-000		4	ROLLER, FEEDING		
2	FC6-4438-020		2	HOLDER, RETAINING PLATE		
3	FC6-4477-000		2	PLATE,DELIVERY RETAINING		
4	FC6-4470-030		1	GUIDE, DELIVERY, LOWER		
5	FC6-4474-030		1	GUIDE, DELIVERY, UPPER		
6	FC8-0215-000		1	GUIDE, DELIVERY		
7	FC6-4502-000		1	STOPPER, DELIVERY GUIDE		
8	FL2-3220-000		1	ROLLER, DELIVERY		
9	FU5-0732-000		1	GEAR, 17T		
10	FU5-1522-000		2	BUSHING, DELIVERY ROLLER		
11	FU6-2189-000		4	SPRING, TORSION		
12	FU6-2206-000		1	SPRING, TENSION		
13	FC6-4465-020		1	HOLDER, SENSOR	SR203	
14	FC6-4473-020		1	LEVER, DELIVERY SENSOR		
15	FC6-4484-000		2	ROLLER		
16	FM2-4789-000		1	CABLE, SENSOR, DELIVERY		
17	FU6-2210-000		1	SPRING, TORSION		
18	WG8-5696-000		1	PHOTO INTERRUPTER, TLP1243	SR203	
19	FC6-4504-000		1	COVER, GEAR		

FIGURE 400 READER ASSEMBLY



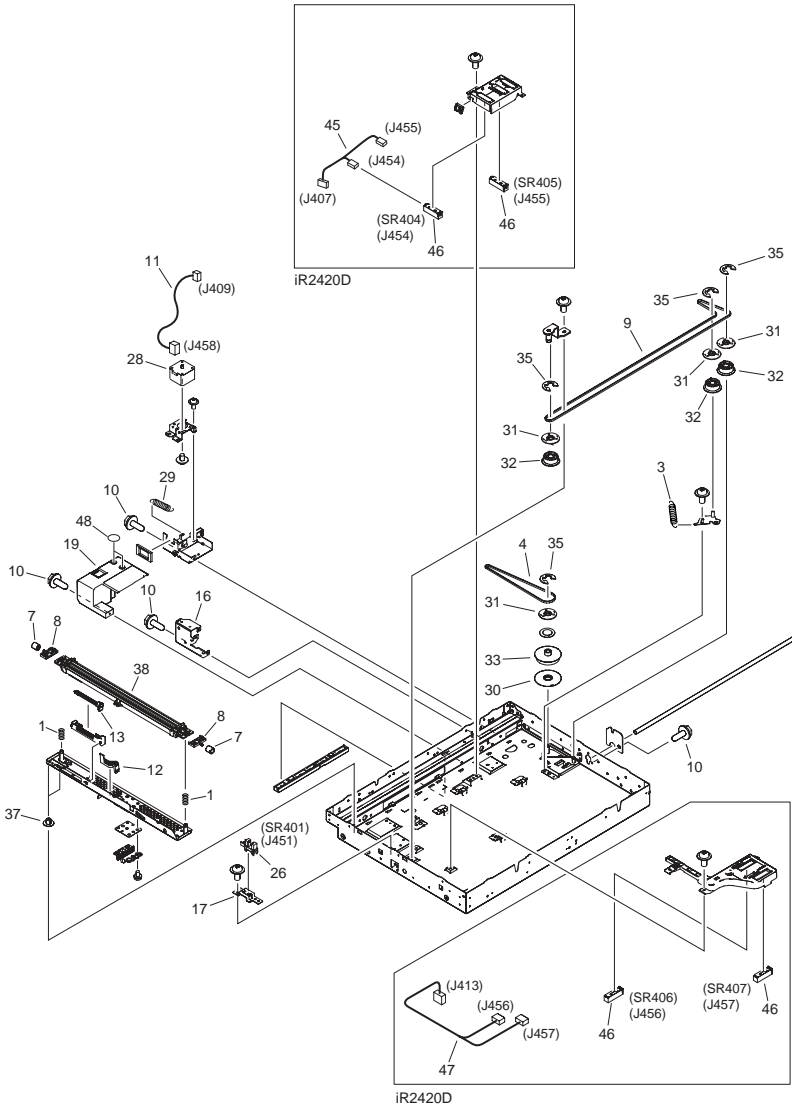


FIGURE & KEY NO.	PARTS NUMBER	R A N K	Q'TY	DESCRIPTION	SERIAL NUMBER/ REMARKS	S V C
Fig.400	NPN		1	READER ASSEMBLY		
1	FU6-2236-000		2	SPRING, COMPRESSION		
2	FC6-4522-000		1	HOLDER, CORE		
3	FU6-2193-000		1	SPRING, TENSION		
4	XF2-4620-340		1	BELT, TIMING		
5	FC6-4582-000		1	CLAMP,FLEXIBLE		
6	FC6-4560-000		1	PLATE, HINGE, LEFT		
7	FB6-1337-000		2	COLLAR		
8	FB6-1336-000		2	GUIDE, CIS		
9	XF2-4661-440		1	BELT, TIMING		
10	XA9-1567-000		AR	SCREW, RS, M3X8.5		
11	FM2-4423-020		1	CABLE, READER MOTOR		
12	FC5-0792-000		1	RETAINER, BELT		
13	FC5-1444-000		1	HOLDER, FFC		
14	FC6-4528-000		1	LID, GRASS RETAINER		
15	FC6-4541-000		1	COVER, LEFT, UPPER		
16	FC6-4573-000		1	PLATE, HINGE, RIGHT		
17	FC6-4727-000		1	HOLDER, SENSOR		
18	FK2-1061-000		1	CABLE, FLAT, READER		
19	FC6-4562-000		1	COVER, HINGE, RIGHT		
20	FC6-4558-000		1	COVER, HINGE, LEFT		
21	FL2-3230-000		1	RETAINER, GLASS (R)		
22	XA9-1415-000		12	SCREW, FLAT HEAD, M4		
23	FM4-0031-000		1	CABLE, HP SENSOR		
24	FL2-3282-000		1	GLASS, COPYBOARD		
25	FU5-8592-000		1	PLATE, WIDTH INDEX	A/INCH SIZE	
25	FU5-8590-000		1	PLATE, WIDTH INDEX	A/B/INCH/K SIZE	
26	WG8-5696-000		3	PHOTO INTERRUPTER, TLP1243	SR401,SR402,SR403	
27	FU5-8593-000		1	PLATE, LENGTH INDEX	A/INCH SIZE	
27	FU5-8591-000		1	PLATE, LENGTH INDEX	A/B/INCH/K SIZE	
28	FK2-1066-020		1	MOTOR, STEPPING	M401	
29	FU6-2190-000		1	SPRING, TENSION		

FIGURE & KEY NO.	PARTS NUMBER	R A N K	Q'TY	DESCRIPTION	SERIAL NUMBER/ REMARKS	S V C
30	FC6-4506-000		1	FLANGE		
31	FC6-4514-000		4	FLANGE		
32	FU5-3339-000		3	PULLEY		
33	FU5-3340-000		1	PULLEY		
34	FU6-2191-000		1	SPRING, SENSOR		
35	XD9-0136-000		4	RING, E		
36	FM4-0660-000		1	READER CONTROLLER PCB ASSEMBLY		
37	FC6-4511-000		2	SLIDER		
38	FL2-3286-000		1	CONTACT IMAGE SENSOR		
39	FC6-4559-000		1	HOLDER, SENSOR		
40	FC6-4561-000		1	LEVER, SENSOR		
41	FM2-4400-000		1	CABLE, SENSOR		
42	FM4-0032-000		1	CABLE, READER CONTROLLER POWER		
43	FM4-0033-000		1	CABLE, READER CONTROLLER POWER		
44	FM4-0035-000		1	CABLE, MAIN CONTROLLER POWER		
45	FM2-4427-000		1	CABLE, DOCUMENT SIZE SENSOR	iR2420D	
46	FH7-7569-000		4	DOCUMENT SIZE SENSOR UNIT	iR2420D SR404,SR405,SR406,SR407	
47	FM4-0039-000		1	CABLE, DOCUMENT SIZE SENSOR	iR2420D	
48	FC9-4270-000		4	SEAL		

FIGURE 640 DEVELOPING ASSEMBLY

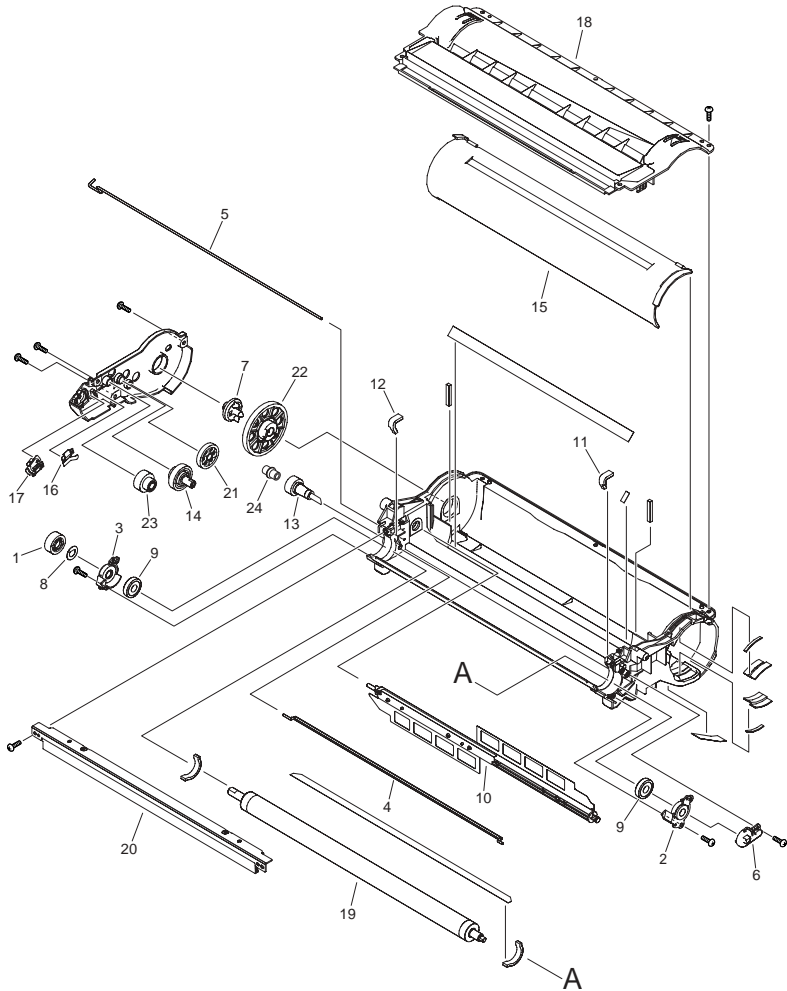
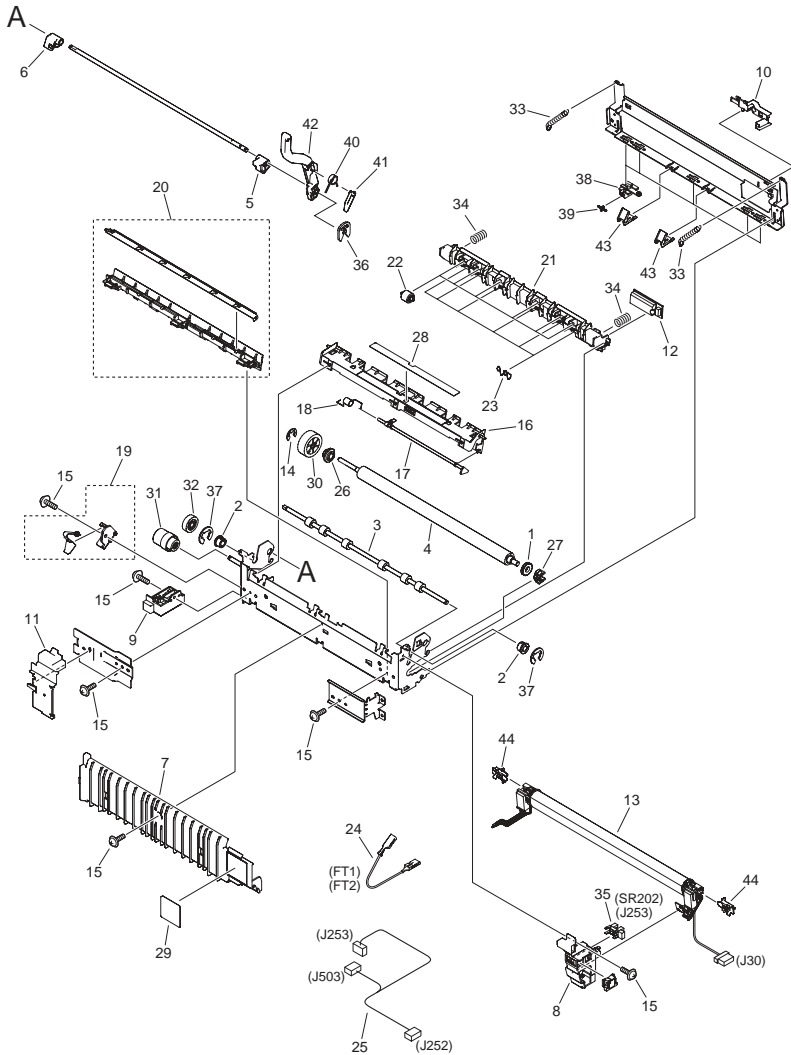


FIGURE & KEY NO.	PARTS NUMBER	R A N K	Q'TY	DESCRIPTION	SERIAL NUMBER/ REMARKS	S V C
Fig.640	FM3-3671-000		1	DEVELOPING ASSEMBLY		
1	FU6-0765-000		1	GEAR, 32T		
2	FC6-4164-000		1	BUSHING, SLEEVE, FRONT		
3	FC6-4165-000		1	BUSHING, SLEEVE, REAR		
4	FC6-4166-000		1	ROD, STEERING		
5	FC6-4167-000		1	ROD, DETECTION		
6	FC6-4168-000		1	GUIDE, POSITIONING, MAGNET		
7	FC6-4169-000		1	COUPLER		
8	FC6-4170-000		1	PLATE, TERMINAL, SLEEVE		
9	FC7-1772-000		2	ROLLER		
10	FL2-3304-000		1	ROD, STEERING		
11	FC6-4176-000		1	PAD, SIDE, FRONT		
12	FC6-4177-000		1	PAD, SIDE, REAR		
13	FL2-3193-000		1	GEAR ASSEMBLY		
14	FU6-0761-000		1	GEAR ASSEMBLY		
15	FL2-3197-000		1	SHUTTER ASSEMBLY		
16	FC6-4163-000		1	PLATE, DETECTION		
17	FC6-4202-000		1	PLATE, TERMINAL		
18	FM2-3287-000		1	LID, DEVELOPING		
19	FM3-3676-000		1	DEVELOPING SLEEVE UNIT		
20	FM3-3672-000		1	DEVELOPING BLADE UNIT		
21	FU6-0762-000		1	GEAR, 31T		
22	FU6-0763-000		1	GEAR, 70T		
23	FU6-0764-000		1	GEAR, 31T/19T		
24	FB6-6896-000		1	CAP, DEVELOPPING		

FIGURE 810 FIXING ASSEMBLY



NOTE : This assembly does not include the parts shown with key No. 36, 40, 41 and 42.
 注 : このユニットにKey No.36, 40, 41, 42 の部品は含まれません。

FIGURE & KEY NO.	PARTS NUMBER	R A N K	Q'TY	DESCRIPTION	SERIAL NUMBER/ REMARKS	S V C
Fig.810	FM2-3345-000		1	FIXING ASSEMBLY	120V EQL	
Fig.810	FM2-3352-000		1	FIXING ASSEMBLY	230V EQM,EQV	
Fig.810	FM2-3328-000		1	FIXING ASSEMBLY	230V EQS,EQR,EQN,EQW	
1	FC5-4860-000		1	RUBBER RING,CONDUCTIVE		
2	FC5-5297-000		2	BUSHING		
3	FC6-4452-000		1	ROLLER, DELIVERY, MIDDLE		
4	FC6-4453-000		1	ROLLER, PRESSURE		
5	FC6-4462-000		1	BLOCK, PRESSURE RELEASE (F)		
6	FC6-4463-000		1	BLOCK, PRESSURE RELEASE (R)		
7	FC6-4479-000		1	COVER, FIXING, LEFT		
8	FC6-4480-000		1	GUIDE, FIXING CABLE (F)		
9	FC6-4481-000		1	GUIDE, FIXING CABLE (R)		
10	FC6-4492-000		1	GUIDE, FILM SENSOR CABLE		
11	FC6-4501-000		1	COVER, FIXING GEAR		
12	FG3-3501-000		1	FIXING FILM SENSOR ASS'Y		
13	FM2-3346-000		1	FIXING FILM ASSEMBLY	120V EQL	
13	FM2-3353-000		1	FIXING FILM ASSEMBLY	230V EQM,EQV	
13	FM2-3329-000		1	FIXING FILM ASSEMBLY	230V EQS,EQR,EQN,EQW	
14	XD9-0134-000		1	RING, E		
15	XA9-0702-000		5	SCREW, W/WASHER, M3X6		
16	FC6-4449-000		1	GUIDE, DELIVERY, LOWER		
17	FC6-4450-000		17	LEVER, DELIVERY SENSOR		
18	FU5-2470-000		1	SPRING, TORSION		
19	FM2-3348-000		1	TERMINAL HOLDER ASSEMBLY		
20	FM2-3349-000		1	FIXING INLET GUIDE UNIT		
21	FC6-4448-000		1	GUIDE, DELIVERY, UPPER		
22	FC5-6805-000		6	ROLLER, DELIVERY, MIDDLE		
23	FU6-2188-000		6	SPRINGM, TORSION		
24	FM2-4405-000		1	CABLE, FILM BIAS	FT1,FT2	
25	FM2-4411-000		1	CABLE, FIXING SENSOR		
26	FU5-1519-000		1	BUSHING		

FIGURE & KEY NO.	PARTS NUMBER	R A N K	Q'TY	DESCRIPTION	SERIAL NUMBER/ REMARKS	S V C
27	FU5-1520-000		1	BUSHING		
28	FU5-8575-000		1	LABEL, WARNING, HIGH TEMP.		
29	FU5-8576-000		1	LABEL, DRUM CAUTION		
30	FU6-0799-000		1	GEAR, 27T		
31	FU6-0800-000		1	GEAR, 17T		
32	FU6-0801-000		1	GEAR, 17T		
33	FU6-2185-000		2	SPRING, TENSION		
34	FU6-2186-000		2	SPRING, COMPRESSION		
35	WG8-5696-000		1	PHOTO INTERRUPTER, TLP1243	SR202	
36	FC6-3002-000		1	RING,E	SEE NOTE	
37	XD9-0136-000		2	RING, E		
38	FC6-4458-020		5	MOUNT, ROWEL		
39	FC6-4375-000		5	ROWEL		
40	FU6-2208-000		1	SPRING, TORSION	SEE NOTE	
41	FC6-4454-000		1	BLOCK, LEVER RETURN	SEE NOTE	
42	FC6-4503-000		1	LEVER, RELEASE, FRONT	SEE NOTE	
43	FC6-4467-000		2	GUIDDE, PAPER LIMIT		
44	FC7-1771-000		2	CAP, PRESSURE		

FIGURE C10
COPYBOARD COVER ASSEMBLY(COPYBOARD
model)

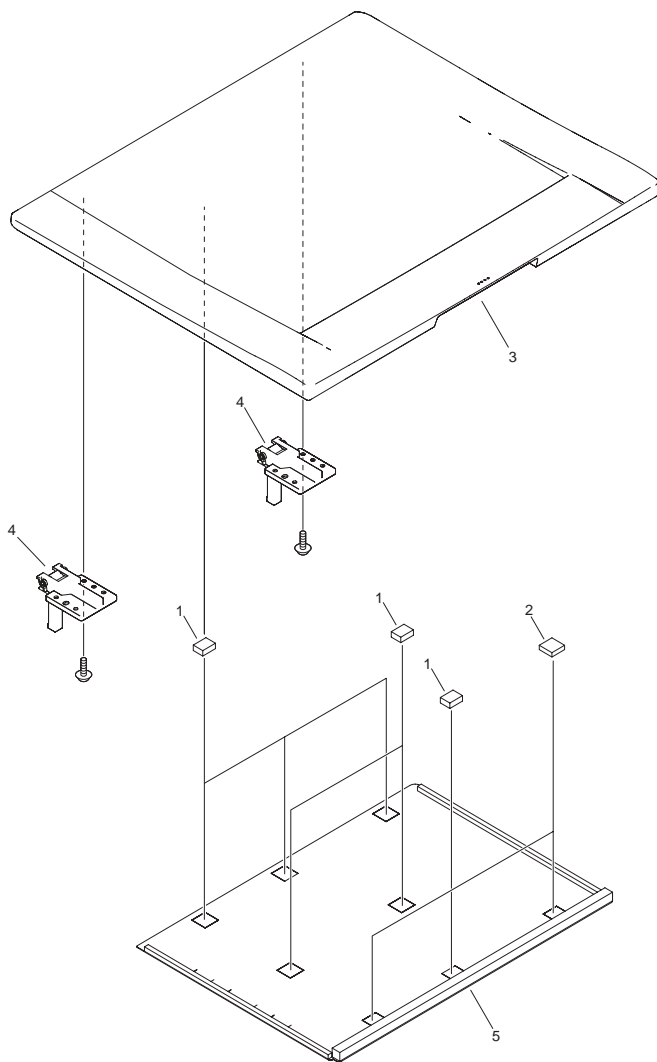


FIGURE & KEY NO.	PARTS NUMBER	RANK	Q'TY	DESCRIPTION	SERIAL NUMBER/REMARKS	SVC
Fig.C10	NPN		RF	COPYBOARD COVER ASSEMBLY	COPYBOARD model	
1	FC6-4508-000		6	SPONGE, 1		
2	FC6-4509-000		2	SPONGE, 2		
3	FC6-4576-000		1	COVER, COPYBOARD		
4	FC6-4738-000		2	HINGE		
5	FL2-3186-000		1	COVER, COPYBOARDWHITE-BOARD		

FIGURE G10 NETWORK I/F PCB ASSEMBLY(NETWORK model)

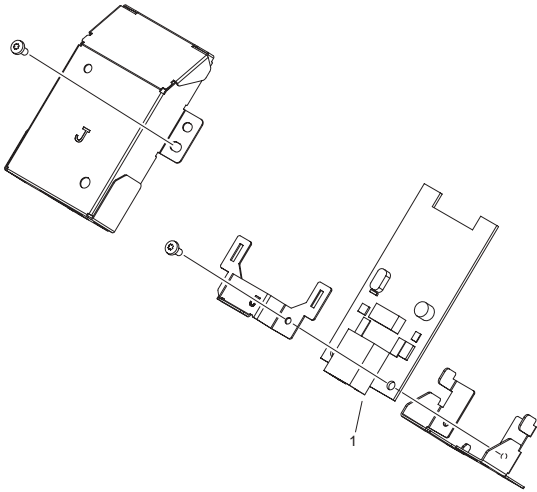


FIGURE & KEY NO.	PARTS NUMBER	RANK	QTY	DESCRIPTION	SERIAL NUMBER/REMARKS	SVC
Fig.G10	NPN		RF	NETWORK I/F PCB ASSEMBLY	NETWORK model	
1	FK2-8240-000		1	NETWORK I/F PCB ASSEMBLY		

FIGURE S01 PACKING KIT(DUPLEX model)

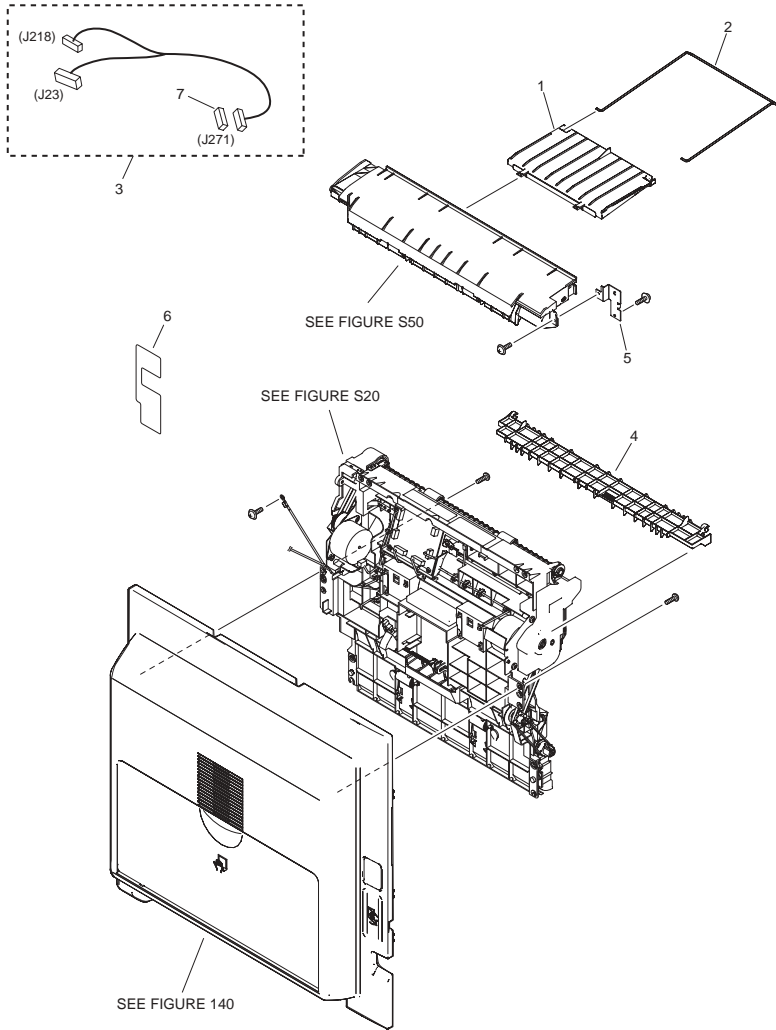


FIGURE & KEY NO.	PARTS NUMBER	RANK	Q'TY	DESCRIPTION	SERIAL NUMBER/REMARKS	SVC
Fig.S01	NPN		RF	PACKING KIT	DUPLEX model	
1	FC6-6782-000		1	TRAY, REVERSE		
2	FC8-0351-000		1	TRAY, SUB		
3	FM3-3015-000		1	CABLE, DUPLEX UNIT		
4	FL2-8094-000		1	GUIDE, DELIVERY		
5	FC6-6778-000		1	MOUNT, REVERSE GUIDE		
6	FC6-8678-000		1	LABEL, JAM CLEAR		
7	VS1-7207-012		1	CONNECTOR		

FIGURE S20 DUPLEX FEEDER ASSEMBLY(DUPLEX model)

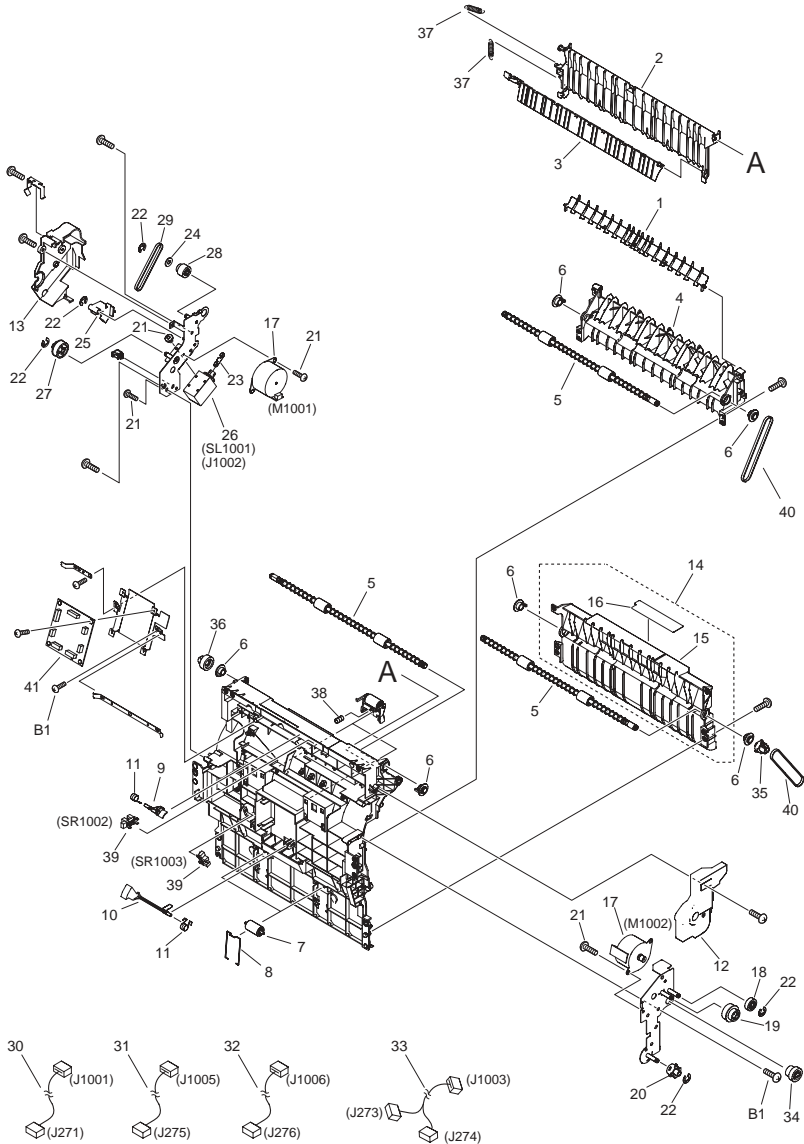


FIGURE & KEY NO.	PARTS NUMBER	R A N K	Q'TY	DESCRIPTION	SERIAL NUMBER/ REMARKS	S V C
Fig.S20	NPN		RF	DUPLEX FEEDER ASSEMBLY	DUPLEX model	
1	FC6-6752-000		1	DEFLECTOR, REVERSE		
2	FC6-6753-000		1	GUIDE, DUPLEX SWING		
3	FC6-6755-000		1	DEFLECTOR, DUPLEX		
4	FC6-6756-000		1	GUIDE, RIGHT UPPER		
5	FC6-6757-000		3	ROLLER		
6	FC6-6758-000		6	BUSHING		
7	FC6-6759-000		4	ROLLER		
8	FC6-6760-000		2	SPRING, ROLLER		
9	FC6-6765-000		1	FLAG, REVERSE SENSOR		
10	FC6-6767-000		1	FLAG, FEEDER SENSOR		
11	FC6-6768-000		2	SPRING, TORSION		
12	FC6-6776-000		1	COVER, DUPLEX, FRONT		
13	FC6-6777-000		1	COVER, DUPLEX, REAR		
14	FL2-3856-000		1	GUIDE, RIGHT, LOWER		
15	FC6-6754-000		1	GUIDE, RIGHT, LOWER		
16	FU5-8696-000		1	LABEL, OPERATION PROHIBITION		
17	FK2-1114-000		4	MOTOR, STEPPING	M1001,M1002	
18	FU6-0933-000		1	GEAR, 47T/17T		
19	FU6-0934-000		1	GEAR, 18T		
20	FU6-0936-000		1	GEAR, 28T		
21	XA9-1116-000		11	SCREW, 3X5		
22	XD9-0136-000		5	RING, E		
23	FC6-6740-000		1	PLATE, LINK		
24	FC6-6764-000		1	FLANGE		
25	FC6-6769-000		1	PLATE, LINK		
26	FL2-3744-000		1	SOLENOID	SL1001	
27	FU6-0938-000		1	GEAR, 47T/22T		
28	FU6-0939-000		1	GEAR, 22T/17T		
29	XF2-1109-040		1	BELT, TIMING		
30	FM2-4517-000		1	CABLE, DUPLEX RELAY		
31	FM2-4518-030		1	CABLE, DUPLEX MOTOR		

FIGURE & KEY NO.	PARTS NUMBER	R A N K	Q'TY	DESCRIPTION	SERIAL NUMBER/ REMARKS	S V C
32	FM2-4519-000		1	CABLE, REVERSE MOTOR	SR1002,SR1003	
33	FM2-4520-000		1	CABLE, DUPLEX SENSOR		
34	FU6-0935-000		1	GEAR, 21T/28T		
35	FU6-0937-000		1	GEAR, 28T		
36	FU6-0940-000		1	GEAR, 21T		
37	FU6-2387-000		2	SPRING, TENSION		
38	FU6-2388-000		2	SPRING, COMPRESSION		
39	WG8-5696-000		2	PHOTO INTERRUPTER, RLP1243		
40	XF2-1112-240		2	BELT, TIMING		
41	FM2-4515-000		1	PWB, DUPLEX DRIVER		

FIGURE S50 DUPLEX REVERSE UNIT(DUPLEX model)

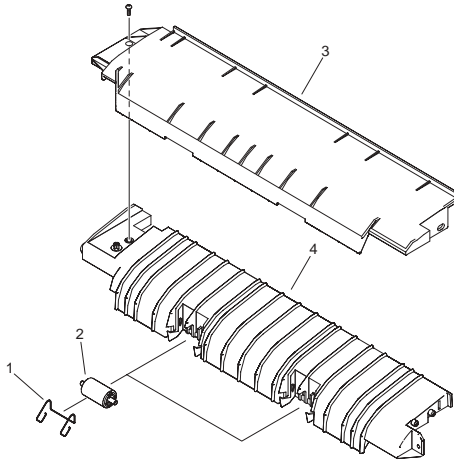


FIGURE & KEY NO.	PARTS NUMBER	RANK	QTY	DESCRIPTION	SERIAL NUMBER/REMARKS	SVC
Fig.S50	FM2-4493-000		1	DUPLEX REVERSE UNIT	DUPLEX model	
1	FC6-6781-000		2	SPRING, ROLLER		
2	FC6-6759-000		2	ROLLER		
3	FC6-6779-000		1	GUIDE, REVERSE UPPER		
4	FC6-6780-000		1	GUIDE, REVERSE, LOWER		

FIGURE ZZA

MECHANICAL STANDARD PARTS (HOW TO USE)

Mechanical standard parts

機械標準部品

About a mechanical standard parts

A Mechanical standard parts is a mechanical part which not parts peculiar to a product. They are parts which are common to a Canon product and are used, such as a screw and a washer. The Fig No. and parts number of the mechanical standard parts are not listed in the product parts catalog. Refer to the parts catalog of mechanical standard parts when checking the parts number for screw or washer etc. and identify them by part shape or size.

機械標準部品とは

機械標準部品とは、製品特有の部品ではなく、ねじやワッシャなどキヤノン製品共通で使用されている機械部品（メカ部品）のことです。
製品のパーツカタログには、機械標準部品のFig No.や部品番号は記載しておりません。
ねじや、ワッシャ等の部品番号を調べるときは、機械標準部品のパーツカタログを参照し、部品の形状や大きさから判断し、使用している部品を調べてください。

Material and surface treatment of a mechanical standard parts

Material and surface treatment of mechanical standard parts are assigned commonly for each part. Refer to the Table 1 for the parts which material and surface treatment are assigned as numbers.

機械標準部品の材料および表面処理

機械標準部品の材料および表面処理については、各種部品共通で決められています。
材料および表面処理が番号で決められている部品については、表1を参照してください。

Table 1 Material and Surface treatment

表1 材料および表面処理

No. 番号	Material 材料	Surface treatment 表面処理	Color 色
1	Stainless steel ステンレス	Stainless steel black coloring (BC4) ステンレス黒着色(BC4)	Black 黒
2		not to be given なし	White 白
3	Brass 黄銅	Regular nickel plating (NL) 普通ニッケルメッキ(NL)	White 白
4		Black nickel plating (BN) 黒色ニッケルメッキ(BN)	Black 黒
5	Steel 鋼	White zinc trivalent chromate treating (ZC3) 白色亜鉛3価クロメート(ZC3)	White 白
6		Regular nickel chromium plating (NC) 普通ニッケルクロムメッキ(NC)	White 白
7		Regular nickel plating (NL) 普通ニッケルメッキ(NL)	White 白
8		Iron and steel phosphating (P1) 鉄鋼磷酸塩処理(P1)	Black 黒
9		Black zinc trivalent chromate treating (BZ3) 黒色亜鉛3価クロメート(BZ3)	Black 黒

FIGURE ZZB MECHANICAL STANDARD PARTS (SCREWS)

1. Screws ねじ

How to read Parts Numbers
部品番号の見方

Screws
ねじ

XB1-2400-609

Type No.
類別番号

Normal designation (d)
ねじの呼び(d)

Length (L)
ねじの長さ(L)

Material and Surface treatment
材料および表面処理

XB1-2 expresses Binding head machine screw.
XB1-2は、バインドねじを表す

40 expresses M4.0.
40は、M4.0を表す

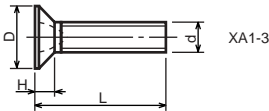
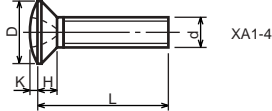
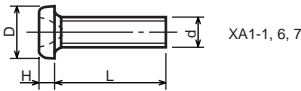
0-60 expresses a length of 6.0mm.
0-60は、6.0mmの長さを表す

9 expresses Steel (Black zinc trivalent chromate
treating) from Table 1.

9は、表1より鋼(黒色亜鉛3価クロメート)を表す

1-1. Cross Recessed Head Screws for Precision Equipments

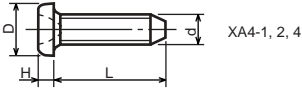
精密機器用十字穴付き小ねじ



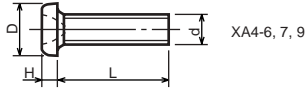
Type No. 類別番号	Type 類別
XA1-1	Pan head Class 1 なべ1種
XA1-3	Countersunk head Class 1 さら1種
XA1-4	Oval countersunk head Class 1 丸さら1種
XA1-6	Pan head Class 3 なべ3種
XA1-7	Pan head Class 2 なべ2種

		Head size (mm) 頭部寸法 (mm)					
		M1.4	M1.6	M1.7	M2	M2.5	M2.6
D	XA1-1	2	2.4	2.5	3	3.8	4
H	XA1-1	0.5	0.55	0.5	0.6	0.9	0.8
D	XA1-3	2	2.4	2.5	3	3.8	4
H	XA1-3	0.48	0.55	0.58	0.73	0.85	0.93
D	XA1-4	2	2.4	2.5	3	3.8	4
H + K	XA1-4	0.68	0.8	0.88	1	1.25	1.3
D	XA1-6	2.5	2.8	3	3.5	4.3	4.5
H	XA1-6	0.8	0.85	0.9	1	1.3	1.2
D	XA1-7	2.5	2.8	3	3.5	4.3	4.5
H	XA1-7	0.5	0.55	0.5	0.6	0.9	0.8

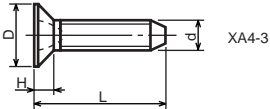
1-2. Precision Tapping Screws
精密用タッピンねじ



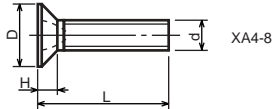
XA4-1, 2, 4



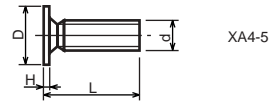
XA4-6, 7, 9



XA4-3



XA4-8



XA4-5

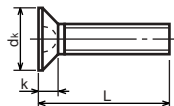
Type No. 類別番号	Type 類別
XA4-1	With tapered end pan head Class 1 絞りなべ1種
XA4-2	With tapered end pan head Class 3 絞りなべ3種
XA4-3	With tapered end countersunk head 絞り-さら
XA4-4	With tapered end pan head Class 2 絞りなべ2種
XA4-5	With parallel end ultra thin head ストレート-超薄頭
XA4-6	With parallel end pan head Class 1 ストレートなべ1種
XA4-7	With parallel end pan head Class 3 ストレートなべ3種
XA4-8	With parallel end countersunk head ストレート-さら
XA4-9	With parallel end pan head Class 2 ストレートなべ2種

	Head size (mm) 頭部寸法 (mm)					
	M1.4	M1.6	M1.7	M2	M2.5	M2.6
D XA4-1	2	2.4	2.5	3	3.8	4
H XA4-1	0.5	0.55	0.5	0.6	0.9	0.8
D XA4-2	2.5	2.8	3	3.5	4.3	4.5
H XA4-2	0.8	0.85	0.9	1	1.3	1.2
D XA4-3	2	2.4	2.5	3	3.8	4
H XA4-3	0.48	0.55	0.58	0.73	0.85	0.93
D XA4-4	2.5	2.8	3	3.5	4.3	4.5
H XA4-4	0.5	0.55	0.5	0.6	0.9	0.8
D XA4-5	2.5	2.8	3	-	-	-
H XA4-5	0.2	0.2	0.2	-	-	-
D XA4-6	2	2.4	2.5	3	3.8	4
H XA4-6	0.5	0.55	0.5	0.6	0.9	0.8
D XA4-7	2.5	2.8	3	3.5	4.3	4.5
H XA4-7	0.8	0.85	0.9	1	1.3	1.2
D XA4-8	2	2.4	2.5	3	3.8	4
H XA4-8	0.48	0.55	0.58	0.73	0.85	0.93
D XA4-9	2.5	2.8	3	3.5	4.3	4.5
H XA4-9	0.5	0.55	0.5	0.6	0.9	0.8

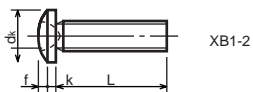
1-3. Cross Recessed Head Screws
 一般用十字穴付き小ねじ



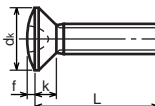
XB1-1



XB1-3



XB1-2

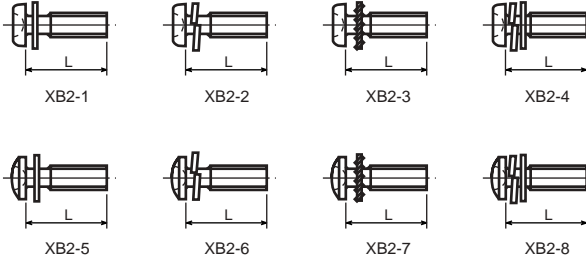


XB1-4

Type No. 類別番号	Type 類別
XB1-1	Pan head なべ
XB1-2	Binding head バインド
XB1-3	Countersunk head さら
XB1-4	Oval countersunk head 丸さら

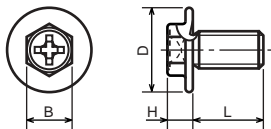
		Head size (mm) 頭部寸法 (mm)					
		M2	M2.5	M2.6	M3	M4	M5
dk	XB1-1	3.5	4.5	4.5	5.5	7	9
k	XB1-1	1.3	1.7	1.7	2	2.6	3.3
dk	XB1-2	4.3	5.3	5.5	6.3	8.3	10.3
k+f	XB1-2	1.2	1.5	1.6	1.9	2.5	3.1
dk	XB1-3	4	5	-	6	8	10
k	XB1-3	1.2	1.45	-	1.75	2.3	2.8
dk	XB1-4	4	5	-	6	8	10
k+f	XB1-4	1.6	2	-	2.45	3.2	4
Screw part length ねじ部長さ b		8	12	12	12	16	20

1-4. Cross Recessed Head Screws with Captive Washer
 座金組込み十字穴付き小ねじ



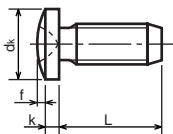
Type No. 類別番号	Type 類別
XB2-1	Pan head + Plain washer (circular bright) なべねじ+平座金
XB2-2	Pan head + Spring washer なべねじ+ばね座金
XB2-3	Pan head + Toothed lock washer なべねじ+歯付座金
XB2-4	Pan head + Spring washer and plain washer (circular bright) なべねじ+(ばね+平)座金
XB2-5	Binding head + Plain washer (circular bright) バインドねじ+平座金
XB2-6	Binding head + Spring washer バインドねじ+ばね座金
XB2-7	Binding head + Toothed lock washer バインドねじ+歯付座金
XB2-8	Binding head + Spring washer and plain washer (circular bright) バインドねじ+(ばね+平)座金

1-5. Hexagon Head Tapping Screws for Metallic Materials
 金属用六角タッピンねじ



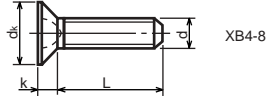
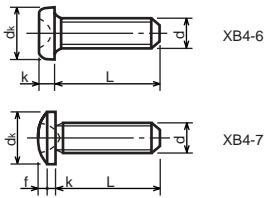
Type No. 類別番号	Type 類別	Head size (mm) 頭部寸法 (mm)	
		M3	M4
XB3-6	For metallic materials 金属用タッピン	D	8 10
		B	5.5 5.5
XB3-7	For metallic materials with clawed 金属用タッピン-つめ付き	H XB3-6	3.1 3.1
		H XB3-7	3.2 3.2

1-6. Special Tapping Screws
 特殊タッピンねじ



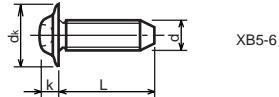
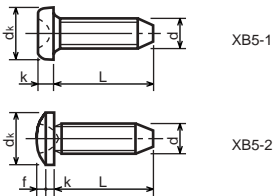
Type No. 類別番号	Type 類別	Head size (mm) 頭部寸法 (mm)	
		M3	M4
XB4-5	Binding head バインド	d _k	6.3 8.3
		k	1.3 1.7
		k+f	1.9 2.5

1-7. General Head Tapping Screws
一般用タッピンねじ



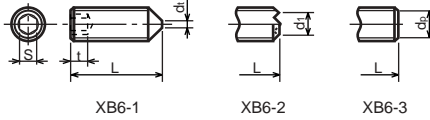
Type No. 類別番号	Type 類別	Head size (mm) 頭部寸法 (mm)						
		M2	M2.5	M2.6	M3	M4	M5	
XB4-6	Pan head なべ	d _k XB4-6	3.5	4.5	4.5	5.5	7	9
		k XB4-6	1.3	1.7	1.7	2	2.6	3.3
XB4-7	Binding head バインド	d _k XB4-7	4.3	5.3	5.5	6.3	8.3	10.3
		k+f XB4-7	1.2	1.5	1.6	1.9	2.5	3.1
XB4-8	Countersunk head さら	d _k XB4-8	4	5	5.2	6	8	10
		k XB4-8	1.2	1.45	1.5	1.75	2.3	2.8

1-8. Tapping Screws for Metallic Materials
金属用タッピンねじ



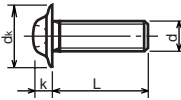
Type No. 類別番号	Type 類別	Head size (mm) 頭部寸法 (mm)					
		M2.5	M2.6	M3	M4	M5	
XB5-1	Pan head なべ	d _k XB5-1	4.5	4.5	5.5	7	9
		k XB5-1	1.7	1.7	2	2.6	3.3
XB5-2	Binding head バインド	d _k XB5-2	5.5	5.5	6.3	8.3	10.3
		k+f XB5-2	1.6	1.6	1.9	2.5	3.1
XB5-6	Flanged pan head つば付きなべ	d _k XB5-6	6.5	6.5	8	10	12
		k XB5-6	2.1	2.1	1.75	3.2	4

1-9. Hexagon Socket Set Screws
六角穴付止めねじ



Type No. 類別番号	Type 類別	Head size (mm) 頭部寸法 (mm)							
		M1.6 M1.7	M2	M2.5 M2.6	M3	M5	M5	M6	
XB6-1	Cone point とがり先	S	0.7	0.9	1.3	1.5	2	2.5	3
		t	1.5	1.7	2	2	2.5	3	3.5
		$d_{t\ max}$ XB6-1	0.4	0.5	0.65	0.75	1	1.25	1.5
		$d_{l\ max}$ XB6-2	-	1.2	1.5	1.7	2.2	2.8	3.3
		$d_{l\ min}$ XB6-2	-	1	1.2	1.4	1.9	2.4	2.9
		$d_{p\ max}$ XB6-3	0.8	1	1.5	2	2.5	3.5	4
		$d_{p\ min}$ XB6-3	0.55	0.75	1.25	1.75	2.25	3.2	3.7

1-10. Flanged Pan Head Machine Screws
つば付きなべ小ねじ



Type No. 類別番号	Type 類別	Head size (mm) 頭部寸法 (mm)					
		M2	M2.5 M2.6	M3	M5	M5	
XB6-7	Flanged pan head つば付きなべ	d_k	5	6.5	8	10	12
		k	1.7	2.1	2.5	3.2	4

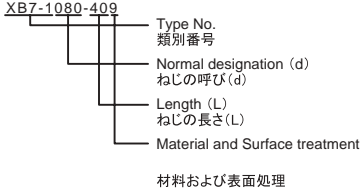
FIGURE ZZC MECHANICAL STANDARD PARTS (BOLTS)

2. Bolts (Socket head cap screw)

ボルト

How to read Parts Numbers
部品番号の見方

Bolt (Socket head cap screw)
ボルト



XB7-1 expresses Hexagon socket head cap screws.
XB7-1は、六角穴付きボルトを表す

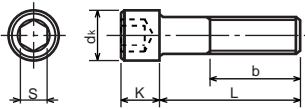
080 expresses M8.0.
080は、M8.0を表す

40 expresses a length of 40mm.
40は、40mmの長さを表す

9 expresses Steel (Black zinc trivalent chromate treating) from Table 1.
9は、表1より鋼(黒色亜鉛3価クロメート)を表す

2-1. Hexagon socket head cap screws

六角穴付きボルト



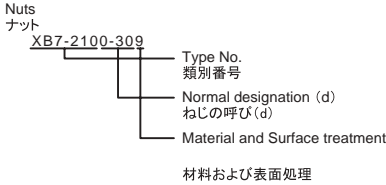
Type No. 類別番号	Type 類別
XB7-1	Hexagon socket head cap screws 六角穴付きボルト

	Head size (mm) 頭部寸法 (mm)						
	M3	M4	M5	M6	M8	M10	M12
S	2.5	3	4	5	6	8	10
d_k	5.5	7	8.5	10	13	16	18
K	3	4	5	6	8	10	12
Screw part length b_{max} ねじ部長さ b_{max}	18	20	22	24	28	32	36

FIGURE ZZD MECHANICAL STANDARD PARTS (NUTS)

3. Nuts ナット

How to read Parts Numbers
部品番号の見方

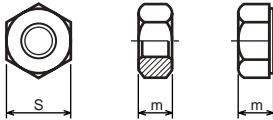


XB7-210 expresses Hexagon nut class 1.
XB7-210は、六角ナット1種を表す

0-30 expresses M3.0.
0-30は、M3.0を表す

9 expresses Steel (Black zinc trivalent chromate treating) from Table 1.
9は、表1より鋼(黒色亜鉛3価クロメート)を表す

3-1. Hexagon Nuts and Hexagon Thin Nuts 六角ナット



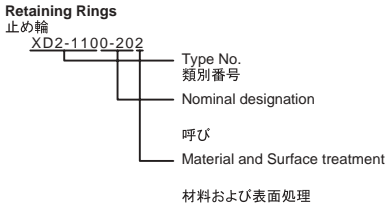
Type No. 類別番号	Type 類別
XB7-210	Hexagon nut Class 1 六角ナット-1種
XB7-220	Hexagon nut Class 3 六角ナット-3種
XB7-230	Hexagon nut Style 1 double chamfered 六角ナット-スタイル1-両面とり
XB7-231	Hexagon nut Style 1 washer faced 六角ナット-スタイル1-座付き
XB7-240	Hexagon nut Style 2 double chamfered 六角ナット-スタイル2-両面とり
XB7-241	Hexagon nut Style 2 washer faced 六角ナット-スタイル2-座付き
XB7-250	Hexagon nut 六角ナット
XB7-260	Hexagon thin nut double chamfered 六角低ナット-両面とり
XB7-270	Hexagon thin nut not chamfered 六角低ナット-面とり無し

	Head size (mm) 頭部寸法 (mm)						
	M2	M2.5	M3	M4	M5	M6	M8
S	4	5	5.5	7	8	10	13
m XB7-210	1.6	2	2.4	3.2	4	5	6.5
m XB7-220	1.2	1.6	1.8	2.4	3.2	3.6	5
m XB7-230, 231	1.6	2	2.4	3.2	4.7	5.2	6.8
m XB7-240, 241	-	-	-	-	5.1	5.7	7.5
m XB7-250	-	-	-	-	5.6	6.1	7.9
m XB7-260	1.2	1.6	1.8	2.2	2.7	3.2	4
m XB7-270	1.2	1.6	1.8	2.2	2.7	3.2	4

FIGURE ZZE MECHANICAL STANDARD PARTS (RETAINING RINGS)

5. Retaining Rings 止め輪

How to read Parts Numbers
部品番号の見方

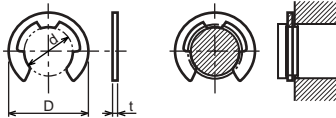


XD2-110 expresses retaining ring-E type (Type1).
XD2-110は、E形止め輪(1種)を表す

0-20 expresses a 020 of nominal designation.
(See Table 5)
0-20は、呼び020を表す(表5参照)

2 expresses Stainless steel (Surface treatment is not to be given) from Table 1.
2は、表1よりステンレス(表面処理なし)を表す

5-1. Retaining Rings - E type E形止め輪

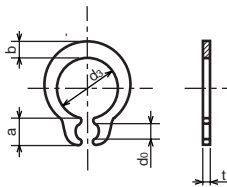


Type No. 類別番号	Type 類別
XD2-110	Retaining ring - E type (Type 1) E形止め輪(1種)
XD2-120	Retaining ring - E type (Type 2) E形止め輪(2種)

Table 5 表5

Type 種類	Nominal designation 呼び	d (mm)	D (mm)	t (mm)
Type 1 1種	007	0.65	2	0.2
	010	0.95	2.8	0.2
	013	1.25	3.3	0.3
	017	1.65	4.2	0.4
	020	1.95	4.6	0.5
	024	2.35	6	0.6
	028	2.74	6.5	0.6
	032	3.14	7.2	0.6
	037	3.64	8	0.7
	040	3.93	10	0.7
	042	4.13	10	0.7
	050	4.93	11	0.7
	058	5.73	12	0.7
	060	5.93	12.7	0.9
	064	6.32	13.5	0.9
	074	7.31	15	0.9
	080	7.91	16.5	1
Type 2 2種	008	0.8	2	0.2
	012	1.2	3	0.3
	015	1.5	4	0.4
	020	2	5	0.4
	025	2.5	6	0.4
	030	3	7	0.6
	040	4	9	0.6
	050	5	11	0.6
	060	6	12	0.8
	070	7	14	0.8
	080	8	16	0.8
	090	9	18	0.8
	100	10	20	1

5-2. Grip Rings
グリップ止め輪

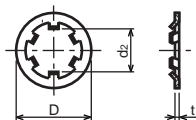


Type No. 類別番号	Type 類別
XD2-210	Grip ring グリップ止め輪

Table 5 表5

Nominal designation 呼び	d ₃ (mm)	t (mm)	b (mm)	a (mm)	d ₀ (mm)
020	1.9	0.5	1	1.8	0.8
025	2.35	0.5	1.2	1.9	0.9
030	2.85	0.6	1.4	1.9	0.9
035	3.3	0.6	1.6	2	0.9
040	3.8	0.8	1.8	2.8	1.2
045	4.25	0.8	2	2.9	1.3
050	4.75	0.8	2.2	2.9	1.3
060	5.7	1	2.4	3.1	1.4
070	6.7	1	2.7	3.3	1.4
080	7.7	1	3	3.5	1.4
090	8.65	1.2	3.3	4.7	1.5
100	9.65	1.2	3.5	4.7	2

5-3. Toothed Retaining Rings
歯付き形止め輪



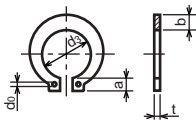
Type No. 類別番号	Type 類別
XD2-230	Toothed retaining ring 歯付き形止め輪

Table 5 表5

Nominal designation 呼び	d _z (mm)	D (mm)	t (mm)	No of teeth 歯数
015	1.4	5.2	0.25	3
020	1.9	6	0.25	3
024	2.3	6.4	0.25	3
030	2.8	8	0.25	4
040	3.8	9	0.25	4
050	4.8	10	0.25	5
060	5.8	11	0.25	5
080	7.8	13	0.25	5
100	9.8	15.4	0.25	6

5-4. Retaining Rings - C Type

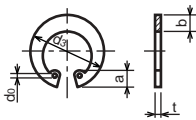
C形止め輪



Type No. 類別番号	Type 類別
XD2-310	Retaining ring - C type for shaft C形止め輪 軸用

Table 5 表5

Nominal designation 呼び	d ₃ (mm)	t (mm)	b (mm)	a (mm)	d ₀ (mm)
010	9.3	1	1.6	3	1.2
012	11.1	1	1.8	3.2	1.5
014	12.9	1	2	3.4	1.7
015	13.8	1	2.1	3.5	1.7
016	14.7	1	2.2	3.6	1.7
017	15.7	1	2.2	3.7	1.7
018	16.5	1.2	2.6	3.8	1.7
020	18.5	1.2	2.7	3.9	2
022	20.5	1.2	2.7	4.1	2
025	23.2	1.2	3.1	4.3	2
028	25.9	1.5	3.1	4.6	2
030	27.9	1.5	3.5	4.8	2
032	29.6	1.5	3.5	5	2.5
035	32.2	1.5	4	5.4	2.5



Type No. 類別番号	Type 類別
XD2-320	Retaining ring - C type for hole C形止め輪 穴用

Table 5 表5

Nominal designation 呼び	d ₃ (mm)	t (mm)	b (mm)	a (mm)	d ₀ (mm)
010	10.7	1	1.8	3.1	1.2
011	11.8	1	1.8	3.2	1.2
012	13	1	1.8	3.3	1.5
014	15.1	1	2	3.6	1.7
016	17.3	1	2	3.7	1.7
018	19.5	1	2.5	4	1.7
019	20.5	1	2.5	4	2
020	21.5	1	2.5	4	2
022	23.5	1	2.5	4.1	2
025	26.9	1.2	3	4.4	2
028	30.1	1.2	3	4.6	2
030	32.1	1.2	3	4.7	2
032	34.4	1.2	3.5	5.2	2.5
035	37.8	1.5	3.5	5.2	2.5
037	39.8	1.5	3.5	5.2	2.5
040	43.5	1.8	4	5.7	2.5
042	45.5	1.8	4	5.8	2.5
045	48.5	1.8	4.5	5.9	2.5
047	50.5	1.8	4.5	6.1	2.5
050	54.2	2	4.5	6.5	2.5
052	56.2	2	5.1	6.5	2.5
055	59.2	2	5.1	6.5	2.5
060	64.2	2	5.1	6.8	2.5
062	66.2	2	5.5	6.9	2.5
068	72.5	2.5	6	7.4	2.5
072	76.5	2.5	6.6	7.4	2.5
075	79.5	2.5	6.6	7.8	2.5
080	85.5	2.5	7	8	2.5
085	90.5	3	7	8	3
090	95.5	3	7.6	8.3	3
095	100.5	3	8	8.5	3

Prepared by
OIP HFE Promotion Center
CANON INC.

Canon