

# EPSON LQ1070+

Page 1

REF	PART	DESC	QUAN	STANDARD
100	1015390	HOUSING ASSY., LOWER	1	
101	1005056	SHIELD PLATE, BOTTOM	1	
103	1005382	GROUNDING PLATE, I/F	1	
104	1015391	COVER ASSY., PRINTER	1	
105	1006182	FRAME ASSY., SHEET GUIDE	1	
106	1006181	HOUSING ASSY., UPPER	1	
107	1006079	PAPER GUIDE, FRONT	1	
108	1005060	KNOB	1	
109	1006080	HOUSING, FRONT	1	
110	1015389	COVER ASSY., FRONT	1	
111	1005059	EDGE GUIDE, FRONT	1	
112	F353651040	RUBBER FOOT	2	
113	1002045	COVER, CONNECTOR, UPPER	1	
114	1006374	GUIDE, I/F BOARD	1	
115	1004782	SHEET, PANEL	1	
116	1004804	KEY TOP, POWER SWITCH	1	
118	1005057	COVER, DIP SWITCH	1	
119	1005063	GROUNDING PLATE	2	
120	1016598	SHIELD PLATE, RIGHT:B (USA ONLY)	1	
121	1015808	LOGO PLATE	1	
122	1015457	SHAFT, HOUSING, LOWER	4	
123	B045800115	C.B.(O) SCREW	1	M4X8
124	B070200411	HEXAGON NUT	1	M4
125	1025774	RIVET B-TITE(SCREW TYPE), 3X8, F/ZN	1	
126	1002674	C.B.S-TITE SCREW	2	M3X12
127	B310204411	C.B.B. SCREW	18	M3X10
128	B310206811	C.B.B. SCREW	2	M4X25
129	1005520	C.B.A-LAMITITE	2	M3X6
131	1006078	SOUND ABSORBER	1	
133	1016597	GROUNDING WIRE	1	
134	1005910	C.B.A-LAMITITE	2	M3X8
135	B310204511	C.B.B. SCREW	1	M3X12
136	1013729	GROUNDING PLATE, FG	1	
137	B300204411	C.B.S. SCREW	3	M3X10
200	2010824	BOARD ASSY., MAIN (WITHOUT IC14)	1	FOR EUROPE
IC14	2012185	P-ROM TCC11 (EUROPE)	1	512K BIT
B1	2007508	CHIP BEADS CORE	1	
CN1	2007100	CONNECTOR	1	36 PIN
CN10	2003152	CONNECTOR	1	2 PIN
CN11	2003147	CONNECTOR	1	2 PIN
CN12	2003150	CONNECTOR	1	2 PIN
CN13	2006995	CONNECTOR	1	11 PIN
CN2	2001155	CONNECTOR	1	36 PIN
CN3	2003128	CONNECTOR	1	12 PIN
CN4	2003145	CONNECTOR	1	5 PIN
CN5	X602290600	CONNECTOR	1	6 PIN
CN6	2009140	CONNECTOR	1	17 PIN 1.25MM
CN7	2009139	CONNECTOR	1	15 PIN 1.25MM
CN8	2003151	CONNECTOR	1	2 PIN
CN9	2003148	CONNECTOR	1	2 PIN
CR1	2005260	CERAMIC OSCILLATOR	1	9.83MHZ
C1-C5	2002486	CHIP CAPACITOR	5	0.1UF DC25V +80% -20%
C14, C18	X200561009	AL'UM.E'LYTIC. CAP.	2	10UF DC50V 20%
C15-C17	X271122211	CHIP CAPACITOR	3	220PF 50V 10%
C19	X271122211	CHIP CAPACITOR	1	220PF 50V 10%
C20, C22	2002486	CHIP CAPACITOR	2	0.1UF DC25V +80% -20%

# EPSON

## LQ1070+

Page 2

REF	PART	DESC	QUAN	STANDARD
C21, C41	X200561019	AL'UM.E'LYTIC. CAP.	2	100UF 50V 20%
C23, C25	2002486	CHIP CAPACITOR	2	0.1UF DC25V +80% -20%
C24	X281311011	CHIP CAPACITOR	1	100PF 50V 5%
C26, C42	2002486	CHIP CAPACITOR	2	0.1UF DC25V +80% -20%
C27	X271124731	CHIP CAPACITOR	1	0.047UF 50V 10%
C28-C30	2002486	CHIP CAPACITOR	3	0.1UF DC25V +80% -20%
C31	2002487	CHIP CAPACITOR	1	0.01UF 50V 10%
C32-C36	X271122231	CHIP CERAMIC CAPACITOR	5	0.022UF DC50V 10%
C37-C40	X271122211	CHIP CAPACITOR	4	220PF 50V 10%
C43	X281321511	CHIP CAPACITOR	1	150PF 50V 5%
C45, C46	2002486	CHIP CAPACITOR	2	0.1UF DC25V +80% -20%
C6, C8, C44	X271124711	CHIP CAPACITOR	3	
C7	X200262209	AL'UM.E'LYTIC. CAP.	1	22UF 16V 20%
C9-C13	2002486	CHIP CAPACITOR	5	0.1UF DC25V +80% -20%
D1-D3	2008465	DIODE	3	80V 100MA 200MW
D4	2004113	SHOT KEY	1	-50V 500MA
IC1	X440034314	IC	1	BIPOLAR SWREG T902 TP
IC10	2005709	HIC	1	
IC11	2008382	GATE ARRAY E05A50BC	1	120 PIN
IC12	2007178	EEPROM	1	8 PIN 128 BIT
IC13	X422350079	TTL-IC	1	HEX BUF/DRV OC HI-VOCT
IC14, IC18	X630113230	IC SOCKET (EUROPE)	2	32 PIN
IC15	2009143	PSRAM	1	256K BIT 100NS 28 PIN
IC16	2008669	SRAM	1	64K BIT 85NS
IC17	2009430	MASK ROM M40B24HA	1	4M BIT
IC19, IC20	2008130	RESET IC	2	
IC2	2009704	GATE ARRAY E05A86YB	1	48 PIN
IC21	2004441	MICROCONTROLLER	1	QFP 64
IC3	X422350079	TTL-IC	1	HEX BUF/DRV OC HI-VOCT
IC3	2009013	TRANSISTOR ARRAY	1	100V 1.5A NPN+P
IC4-IC9	2007884	TRANSISTOR ARRAY	6	
J12	X600630320	JUMPER PIN	1	3 PIN
J12	X600642520	JUMPER CONNECTOR	1	2 PIN
Q1, Q2, Q3	2008466	TRANSISTOR	3	50V 150MA 200MW 135 270
Q4	X306339809	TRANSISTOR	1	50V 100MA 200MW
R1-R4	2001531	CHIP RESISTOR	4	3.3 OHM 1/10W 5%
R104-R111	2001531	CHIP RESISTOR	8	3.3 OHM 1/10W 5%
R14, R29	X193011022	CHIP RESISTOR	2	1K OHM 1/10W 5%
R15-R17	2001520	CHIP RESISTOR	3	100 OHM 1/10W 5%
R18-R23	2001531	CHIP RESISTOR	6	3.3 OHM 1/10W 5%
R24	2001519	CHIP RESISTOR	1	68 OHM 1/10W 5%
R25	2001520	CHIP RESISTOR	1	100 OHM 1/10W 5%
R26	2008475	CHIP RESISTOR	1	3.3K OHM 1/10W 1% TP
R27, R28	2001531	CHIP RESISTOR	2	3.3 OHM 1/10W 5%
R30, R31	X193011042	CHIP RESISTOR	2	100K OHM 1/10W 5%
R32	X193012022	CHIP RESISTOR	1	2K OHM 1/10W 5%
R33, R39	X193011032	CHIP RESISTOR	2	10K OHM 1/10W 5%
R34, R35	2001531	CHIP RESISTOR	2	3.3 OHM 1/10W 5%
R36	2001531	CHIP RESISTOR	1	3.3 OHM 1/10W 5%
R38	2005570	CHIP RESISTOR	1	6.2K OHM 1/10W 5% TP
R40-R43	2005570	CHIP RESISTOR	4	6.2K OHM 1/10W 5% TP
R44-R48	X193011032	CHIP RESISTOR	5	10K OHM 1/10W 5%
R49	2009184	CHIP RESISTOR	1	16K OHM 1/4W 0.5%
R5	2001524	THICK FILM CHIP RESISTOR	1	470 OHM 1/10W 5%
R50	2008473	CHIP RESISTOR	1	100 OHM 1/10W 1%

# EPSON LQ1070+

Page 3

REF	PART	DESC	QUAN	STANDARD
R51	2009183	CHIP RESISTOR	1	2K OHM 1/10W 0.5%
R52, R59	2001531	CHIP RESISTOR	2	3.3 OHM 1/10W 5%
R53	2008472	CHIP RESISTOR	1	15K OHM 1/4W 5%
R54	X194601302	CHIP RESISTOR	1	13K OHM 1/10W 1%
R55	2008474	CHIP RESISTOR	1	2.26K OHM 1/10W 1%
R56	2008478	CHIP RESISTOR	1	4.7K OHM 1/10W 1%
R57	2008479	CHIP RESISTOR	1	6.98K OHM 1/10W 1%
R58	2009138	FUSE RESISTOR	1	43 OHM 1/2W 5%
R6	2001517	CHIP RESISTOR	1	47 OHM 1/10W 5%
R60-R87	X193011022	CHIP RESISTOR	28	1K OHM 1/10W 5%
R7	2002019	CHIP RESISTOR	1	2.7K OHM 1/10W 1%
R8	2007895	CHIP RESISTOR	1	2.8K OHM 1/10W 1%
R88-R95	2001538	CHIP RESISTOR	8	47K OHM 1/10W 5%
R9-R13	X193011032	CHIP RESISTOR	5	10K OHM 1/10W 5%
R96-R103	X193011032	CHIP RESISTOR	8	10K OHM 1/10W 5%
VR1	2009142	VARIABLE RESISTOR	1	500 OHM 25%
450	2010506	BOARD ASSY., PANEL	1	
300	2009342	BOARD ASSY., PSE	1	220V/240V
301	X502063040	FUSE	1	250V 1.25A
301	2003118	FUSE (FOR 120V)	1	125V 2.5A
400	2002364	POWER CABLE (VD31303SA-10A)	1	220V
401	2006741	POWER CABLE (BS31303SA-SR-10A)	1	240V
402	2010468	AC CABLE	1	240V
403	2002365	POWER CABLE VD00303SA-10A	1	220V
410	2002863	POWER CABLE ASSY.	1	
411	2002862	POWER CABLE ASSY.	1	
412	2002859	WIRE HARNESS	1	
330	2009311	HARNESS	1	
500	2010743	PRINTER MECHANISM	1	M-5J60
502	1014944	FRAME, MAIN, BASE	1	
503	1016191	FRAME, MAIN, RIGHT	1	
504	1004919	CAM, CLUTCH, TRACTOR	1	
505	1004933	COMBINATION GEAR, 8.5, 30	1	
506	1004935	SPUR GEAR, 40	1	
507	1004936	COMPRESSION SPRING, 200	1	
508	1004937	PLAIN WASHER	1	M5X16
509	1004952	SPUR GEAR, 16	1	
510	1016296	FRAME, MAIN, LEFT	1	
511	1004958	COMBINATION GEAR	2	
512	1004959	SPUR GEAR, 13.2	1	
513	1004963	RATCHET, RD	1	
514	1004996	LEVER ASSY., RIBBON, PLANET	1	
515	2002935	MOTOR, PF	1	
520	2003374	DETECTOR ASSY., HP	1	
521	1013013	FRAME ASSY., CR, MOTOR	1	
522	2008591	MOTOR, CR	1	
523	1018748	BELT PULLEY	1	
524	1015388	COVER ASSY., EJ	1	
526	B010103311	C.P.SCREW	2	M3X6
527	B150350111	RETAINING RING	2	TYPE-E(2.3)
528	1016192	DAMPER BASE	1	
529	2003376	DETECTOR ASSY., RELEASE	1	
530	1015385	CARRIAGE ASSY.	1	
531	F323201020	HEAD LOCK LEVER SPRING	1	
532	F331201010	HEAD LOCK LEVER (LEFT)	1	

# EPSON

## LQ1070+

Page 4

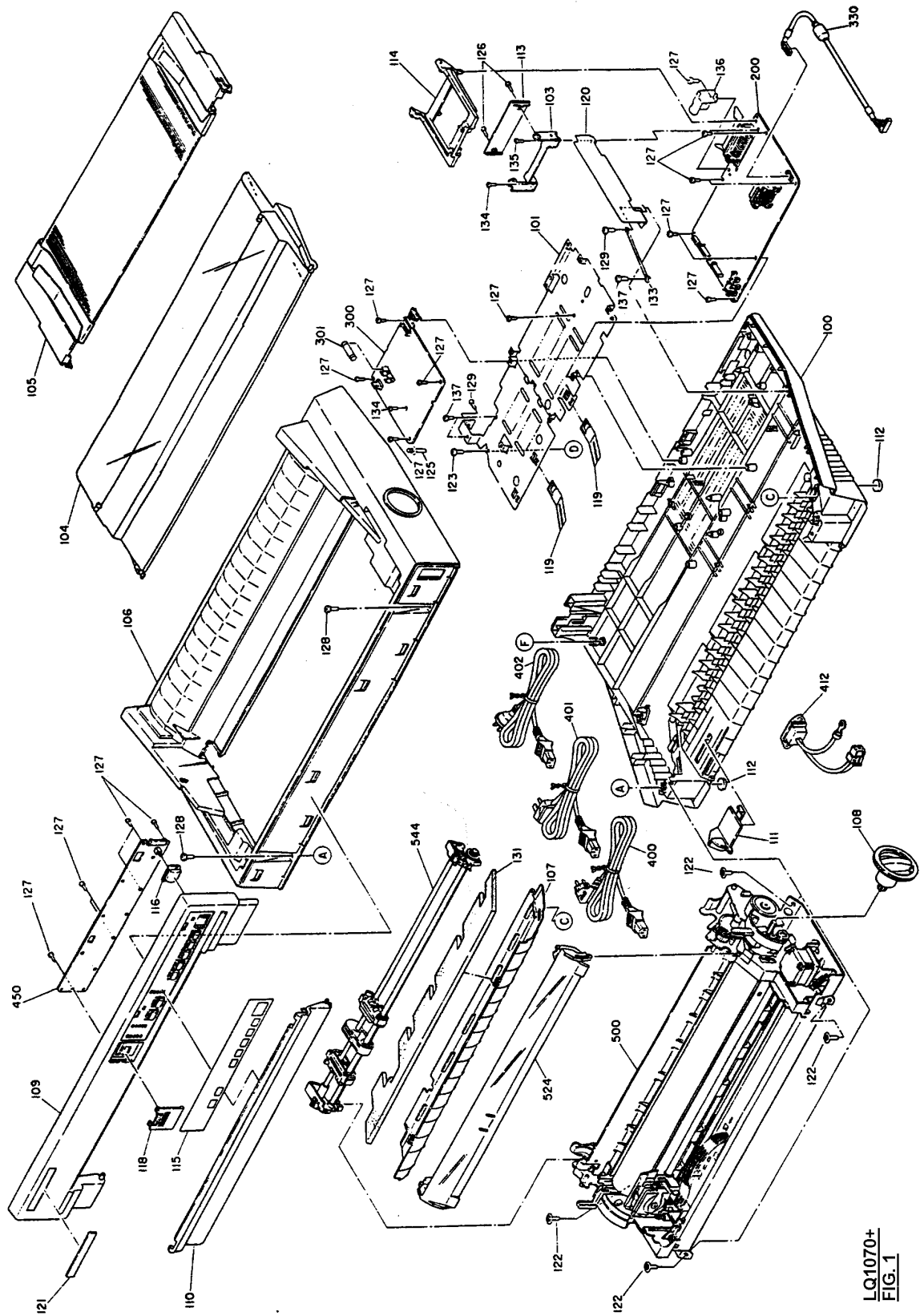
REF	PART	DESC	QUAN	STANDARD
533	1013727	HOLDER, HEAD, RIGHT	1	
534	1005737	GROUNDING PLATE, HEAD	1	
535	2003378	DETECTOR ASSY., PE, REAR	1	
536	2003375	DETECTOR ASSY., PE, FRONT	1	
537	2003377	DETECTOR ASSY., PLATEN	1	
538	1014954	PLATEN	1	
539	1004913	BUSHING, 8	1	
540	1004934	SPUR GEAR, 34	1	
541	B100166012	PLAIN WASHER	1	8X0.5X15
542	B101253390	LEAF SPRING	1	8.2X0.15X15
543	B160101412	RETAINING RING	2	TYPE-C
544	1016341	TRACTOR ASSY.	1	
545	1016338	TRACTOR, LEFT	1	
546	1016339	TRACTOR, RIGHT	1	
547	1016340	FRAME, TRACTOR, LEFT	1	
548	1013376	FRAME, TRACTOR, RIGHT	1	
549	1005314	PAPER SUPPORT	1	
550	1005746	SHAFT, TRACTOR, GUIDE	1	
551	1005745	SHAFT, TRACTOR	1	
552	1004943	LEVER, TR, FRAME	2	
553	1004944	SPUR GEAR, 17	1	
554	1004947	COMPRESSION SPRING, 150	2	
555	B150300911	RETAINING RING	1	TYPE-E(6)
556	1005738	PAPER GUIDE	1	
557	1015522	SHAFT RELEASE	1	
558	1005752	ROLLER ASSY., PF, DRIVE	1	
559	1013175	LEVER ASSY., PF	4	
560	1020957	PAPER GUIDE ASSY., SUPPORT	1	
561	1012622	COMPRESSION SPRING, 1200	4	
562	1004929	SPUR GEAR, 11.5	2	
563	1004930	SPUR GEAR, 18	1	
564	1015112	COVER, EJ	1	
565	1014956	SHAFT, ROLLER, EJ, DRIVE	1	
566	1005750	COVER, PLATEN, UPPER	1	
567	1004951	SPUR GEAR, 17	1	
568	F353256020	PAPER TENSION SPRING	1	
569	B150300811	RETAINING RING	1	TYPE-E(5)
570	1014945	SHAFT, CR, GUIDE	1	
571	1004896	LEVER, G, ADJUST	1	
572	1004906	PULLEY, DRIVEN	1	
573	F336051030	BELT PULLEY FLANGE	2	
574	1004905	SHAFT, DRIVEN, PULLEY	1	
575	F333051080	PLAIN WASHER	2	3.2X0.5X7
576	2003372	CABLE, HEAD, FRONT	1	SHORT; WIDE
577	2003373	CABLE, HEAD, REAR	1	LONG; NARROW
578	1004898	GROUNDING PLATE, CR	1	
579	1012621	RIBBON MASK	1	
580	1004917	LEVER, RELEASE	1	
581	1004925	SHAFT, RELEASE, SUPPORT	1	
582	1014952	TIMING BELT	1	
583	F333003130	OIL PAD	1	
584	1004895	BUSH, PARALLEL, ADJUST	2	
585	1004897	HOLDER, HEAD CABLE	1	
586	1014657	EXTENSION SPRING, 450	1	
587	1006014	EXTENSION SPRING, 43	4	





# EPSON LQ1070+

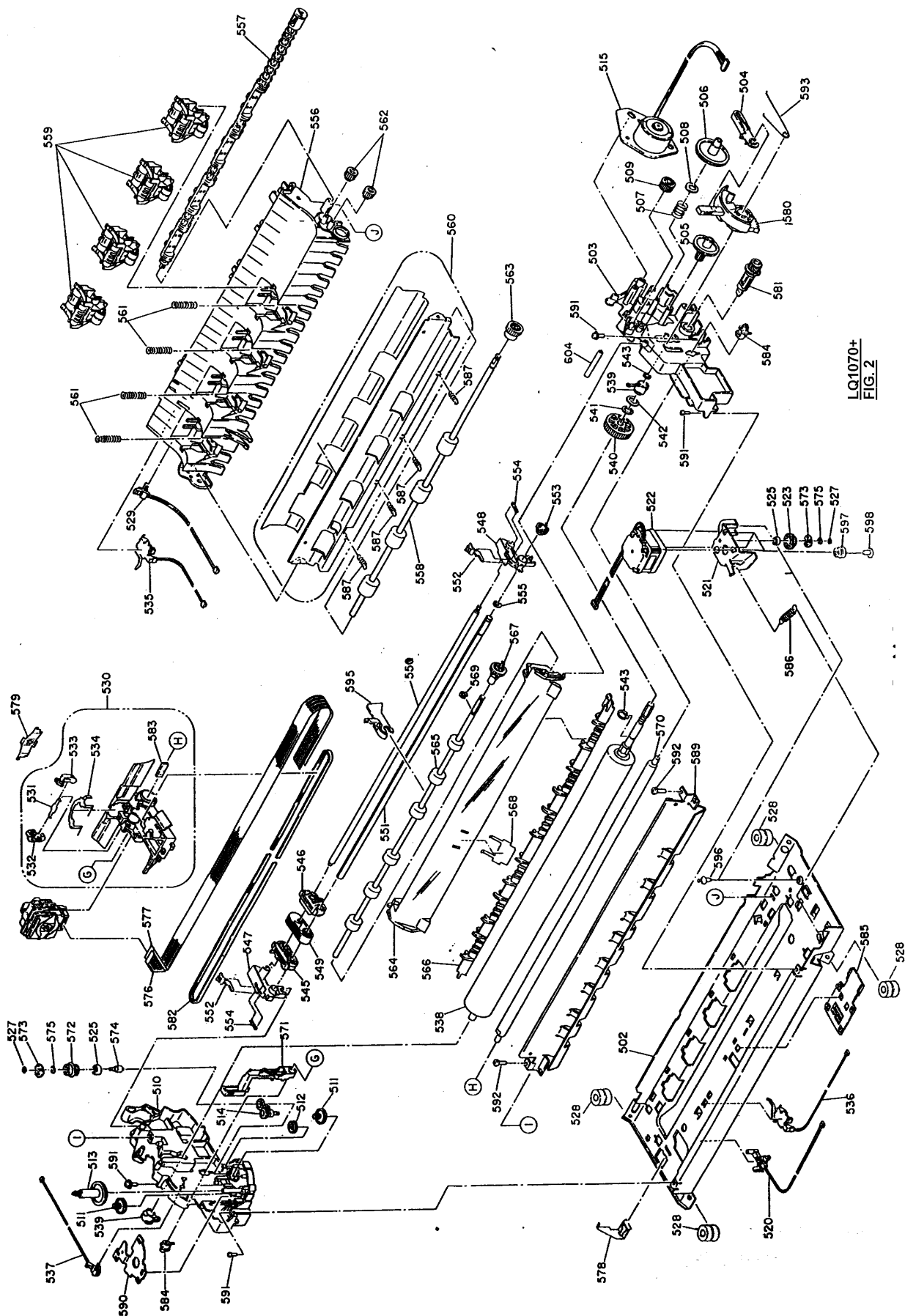
Page 7



LQ1070+  
FIG. 1

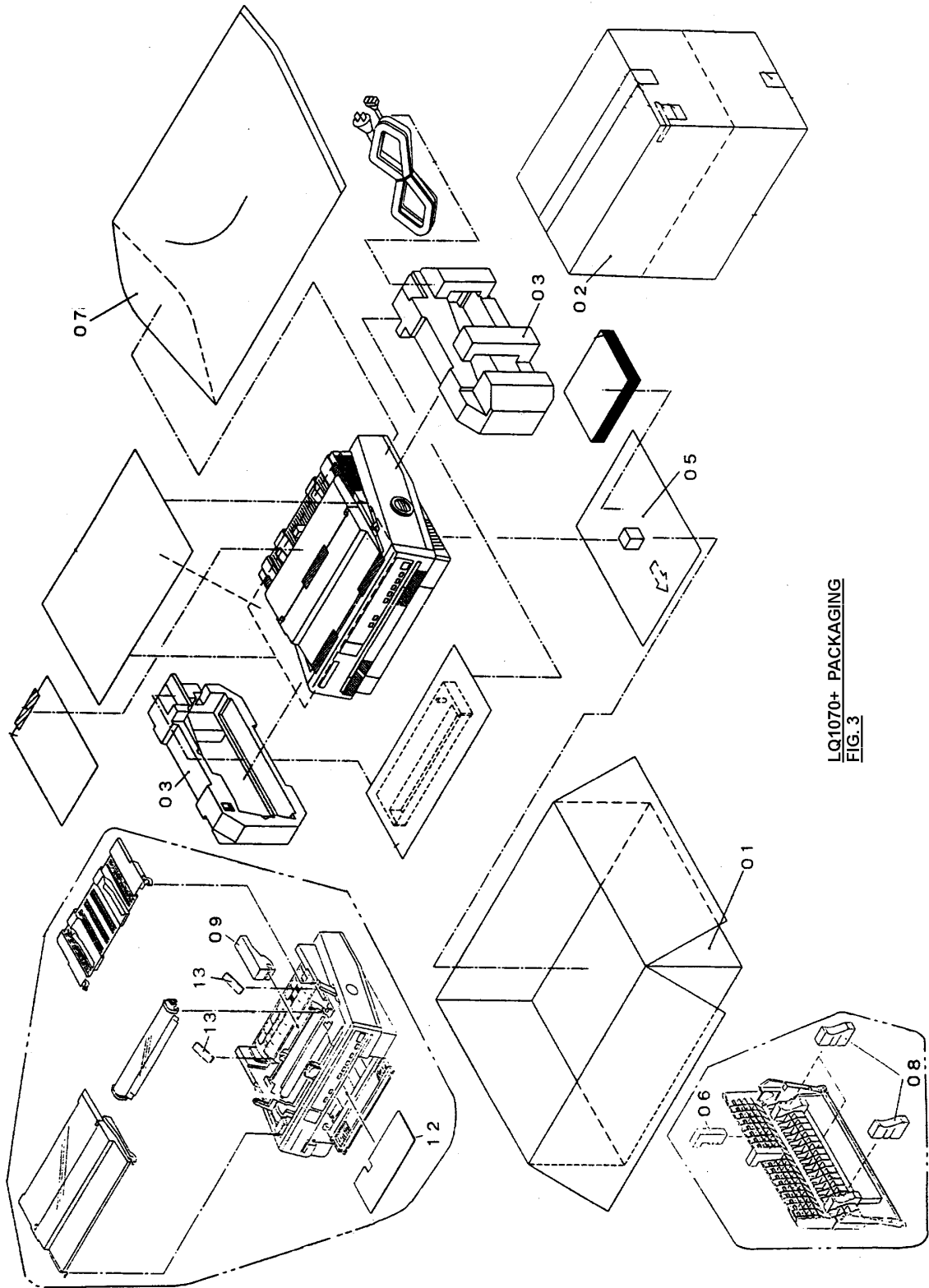
# EPSON LQ1070+

Page 8



LQ1070+  
FIG. 2





LQ1070+ PACKAGING  
FIG. 3