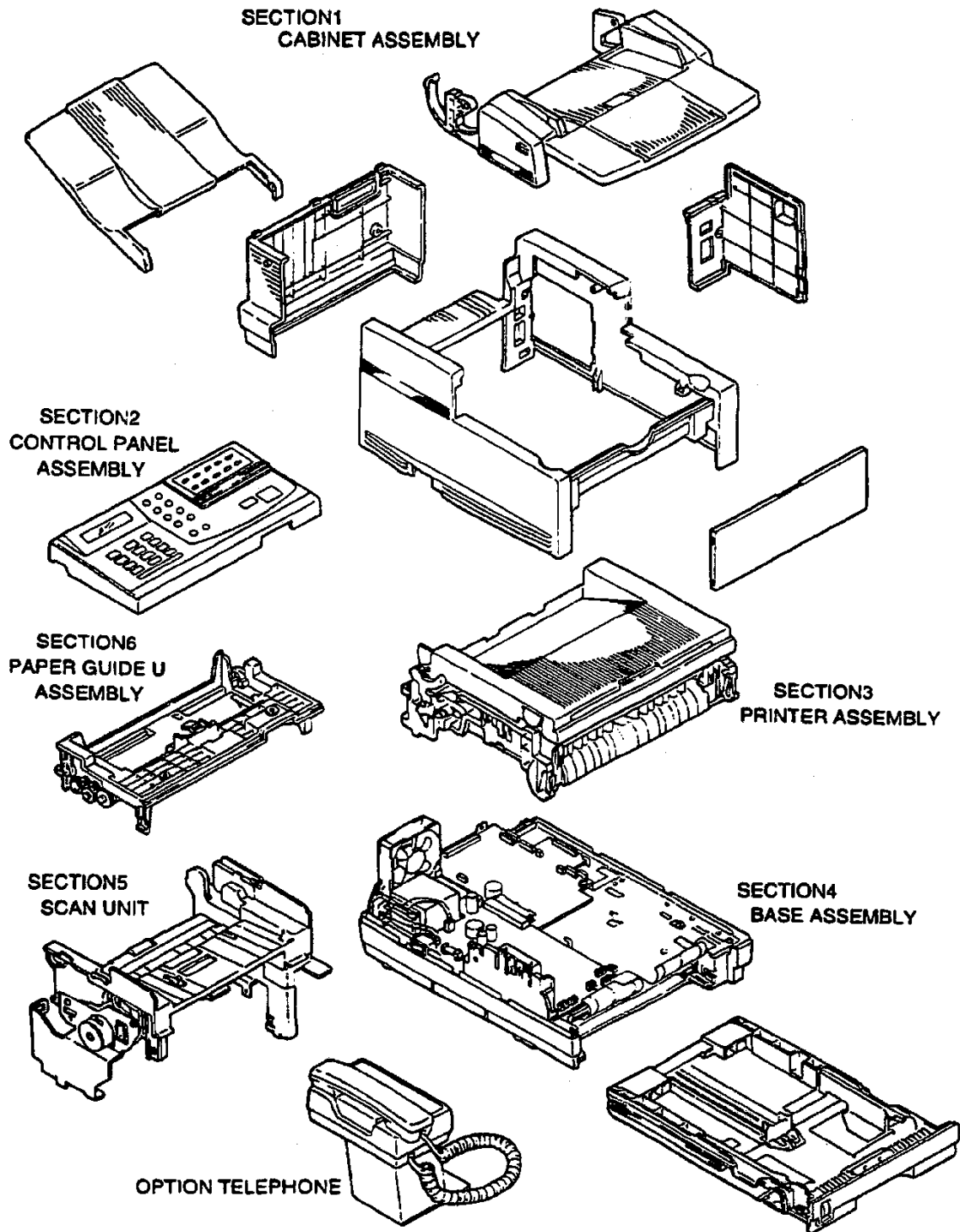
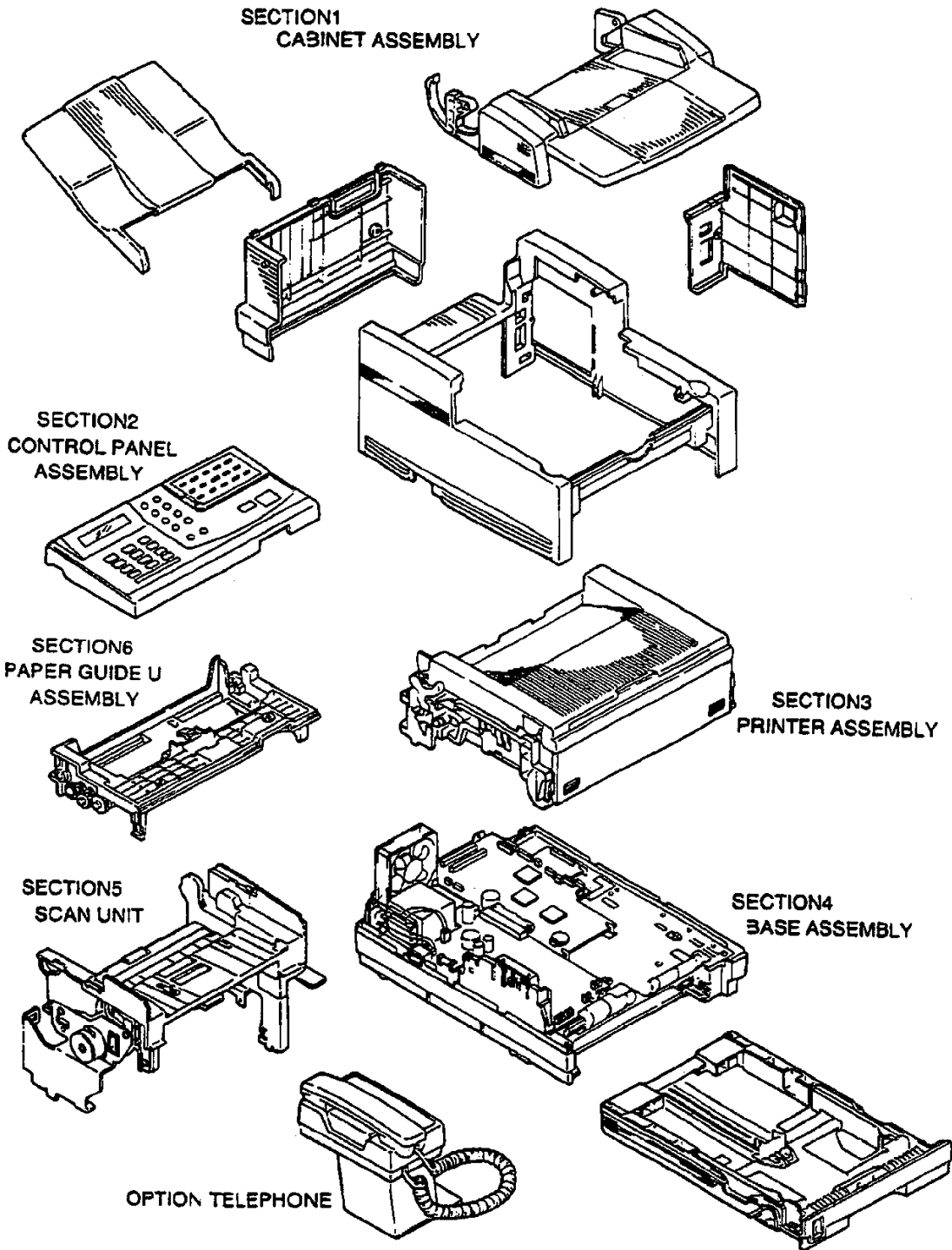


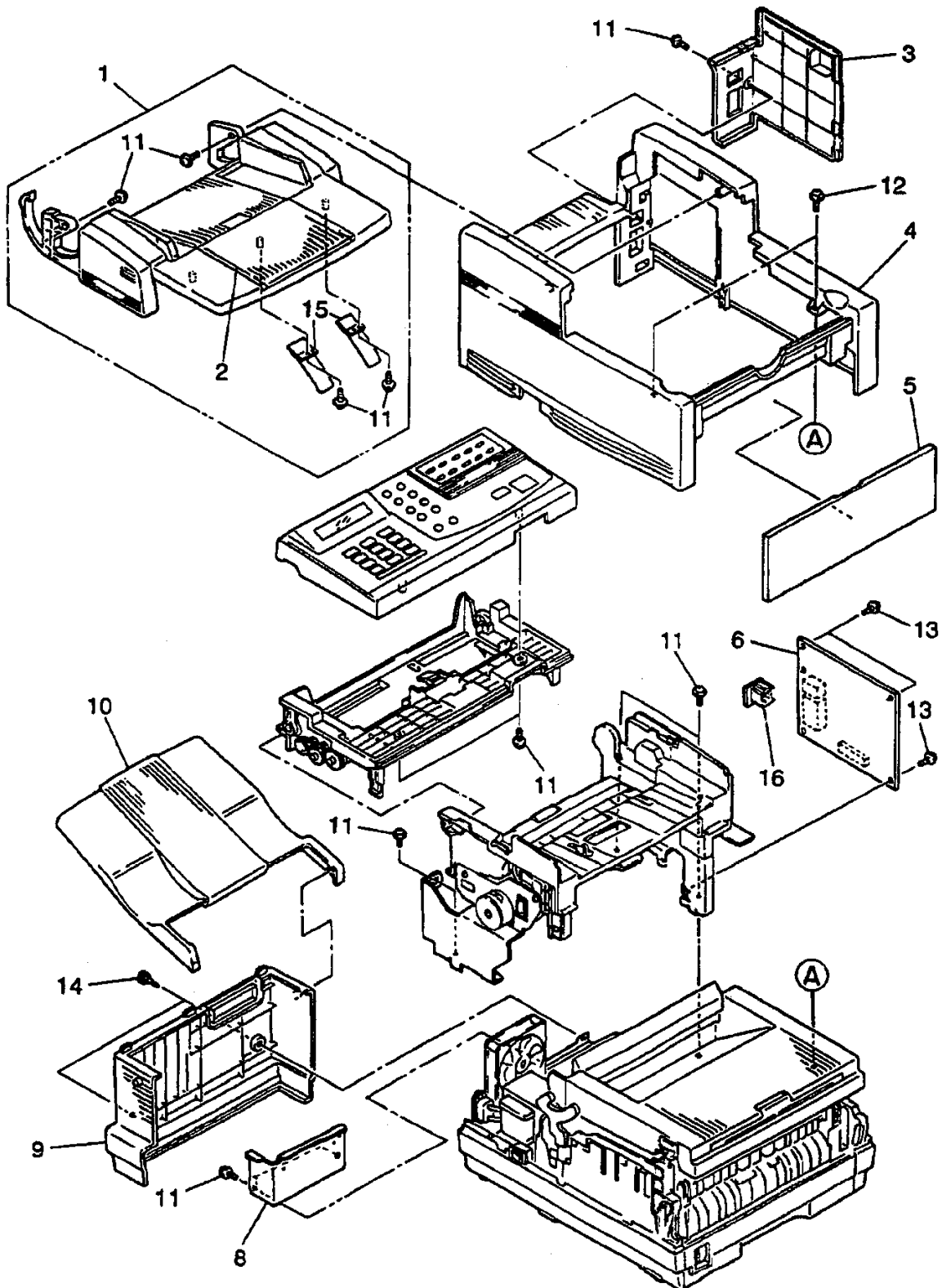
ASSEMBLY



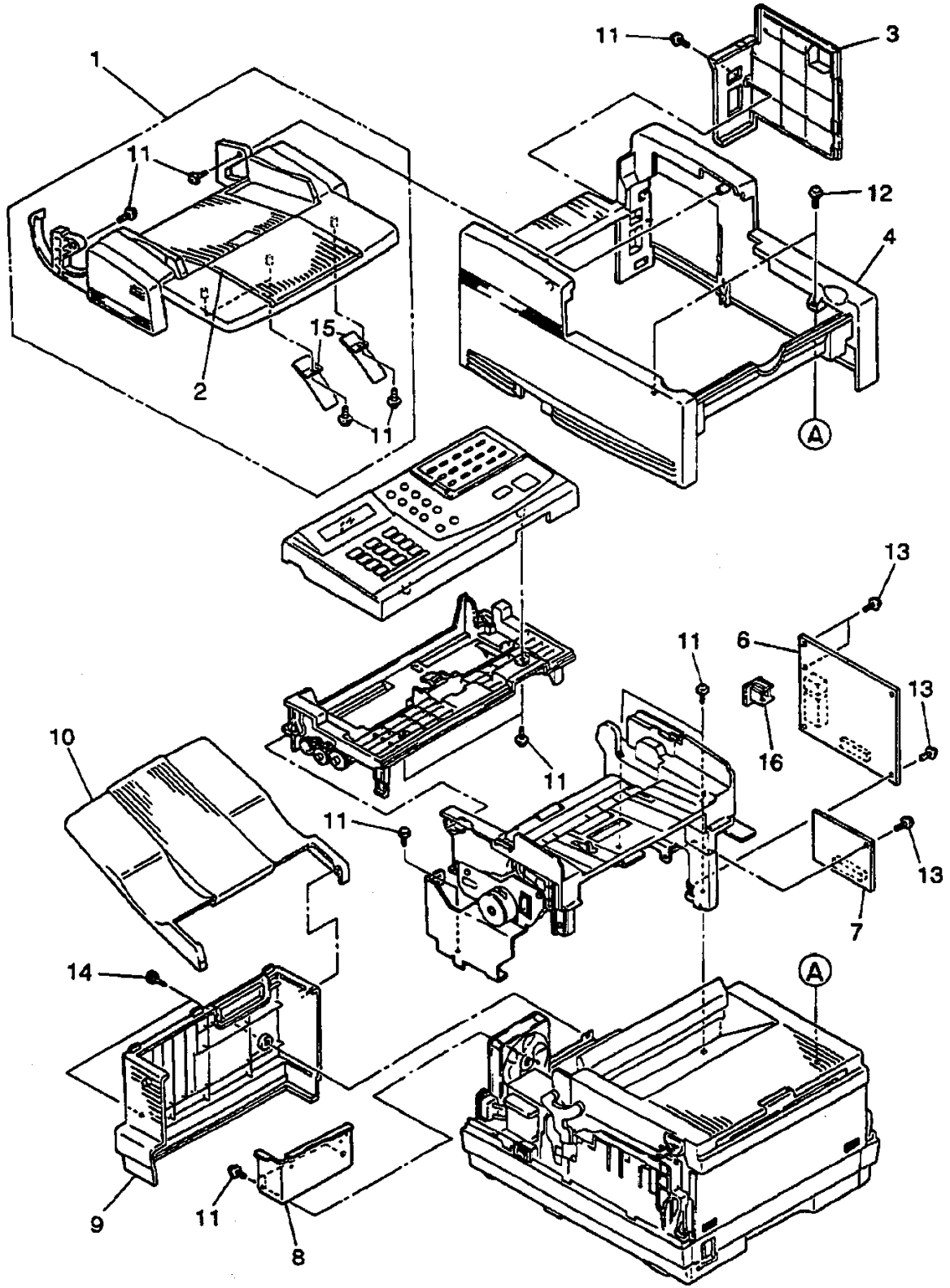
ASSEMBLY



## Section 1 CABINET ASSEMBLY



Section 1 CABINET ASSEMBLY



## OKIFAX 1050/2350/2450 OKI-INT'L Section 1 CABINET

V	No.	Oki Parts Number	ODA Parts Number	Description	Qty
	1	1PA4120-1079G1		Document Hopper Ass'y	1
	2	2PP4120-1084P1		Sub-hopper	1
	3	2PP4120-1091P1		NCU Cover	1
	4	1PP4120-1089P1		Main Cover	1
	5	1PP4120-1092P1		Front Cover for OKIFAX 1050	1
*2	6	4YA4129-1010G7		WNCU P.W.A. for Australia	1
	7	a 4YA4135-1032G1		MODEM P.W.A. (9.5 K) for OKIFAX 2350	1
	7	b 4YA4135-1032G2		MODEM P.W.A. (14.4 K) for OKIFAX 2450	1
	8	3PP4120-1088P1		Partition Plate	1
	9	1PP4120-1090P1		Rear Cover	1
	10	1PP4120-1093P1		Stacker	1
	11	+BTD3-8-IOF		Screw	12
	12	4PB4083-2500P10		Screw	2
	13	a 4PB4013-3102P2		Screw for OKIFAX 1050	2
	13	b 4PB4013-3102P2		Screw for OKIFAX 2350/2450	3
	14	4PB4120-1136P1		Knob Screw	2
	15	4PP4120-1161G1		Assist Guide	3

OKIFAX 1050/2350/2450 OEL Section 1 CABINET

V	No.	Oki Parts Number	ODA Parts Number	Description	Q'ty
	1	1PA4120-1079G1		Document Hopper Ass'y	1
	2	2PP4120-1084P1		Sub-hopper	1
	3	2PP4120-1091P1		NCU Cover	1
	4	1PP4120-1089P1		Main Cover	1
	5	1PP4120-1092P1		Front Cover for OKIFAX 1050	1
	6	a 4YA4129-1010G11		WNCU P.W.A. for UK version	1
	6	b 4YA4129-1009G1		DNCU P.W.A. for GER version	1
	7	a 4YA4135-1032G1		MODEM P.W.A. (9.5 K) for OKIFAX 2350	1
	7	b 4YA4135-1032G2		MODEM P.W.A. (14.4 K) for OKIFAX 2450	1
	8	3PP4120-1088P1		Partition Plate	1
	9	1PP4120-1090P1		Rear Cover	1
	10	1PP4120-1093P1		Stacker	1
	11	+BTD3-8-IOF		Screw	12
	12	4PB4083-2500P10		Screw	2
	13	a 4PB4013-3102P2		Screw for OKIFAX 1050	2
	13	b 4PB4013-3102P2		Screw for OKIFAX 2350/2450	3
	14	4PB4120-1136P1		Knob Screw	2
	15	4PP4120-1161G1		Assist Guide	3
	16	223A7010P0003		TM6-DC Dust Cover (*Refer to Note 1)	1 or 2

Note 1: Required number of this part is arranged by each country.

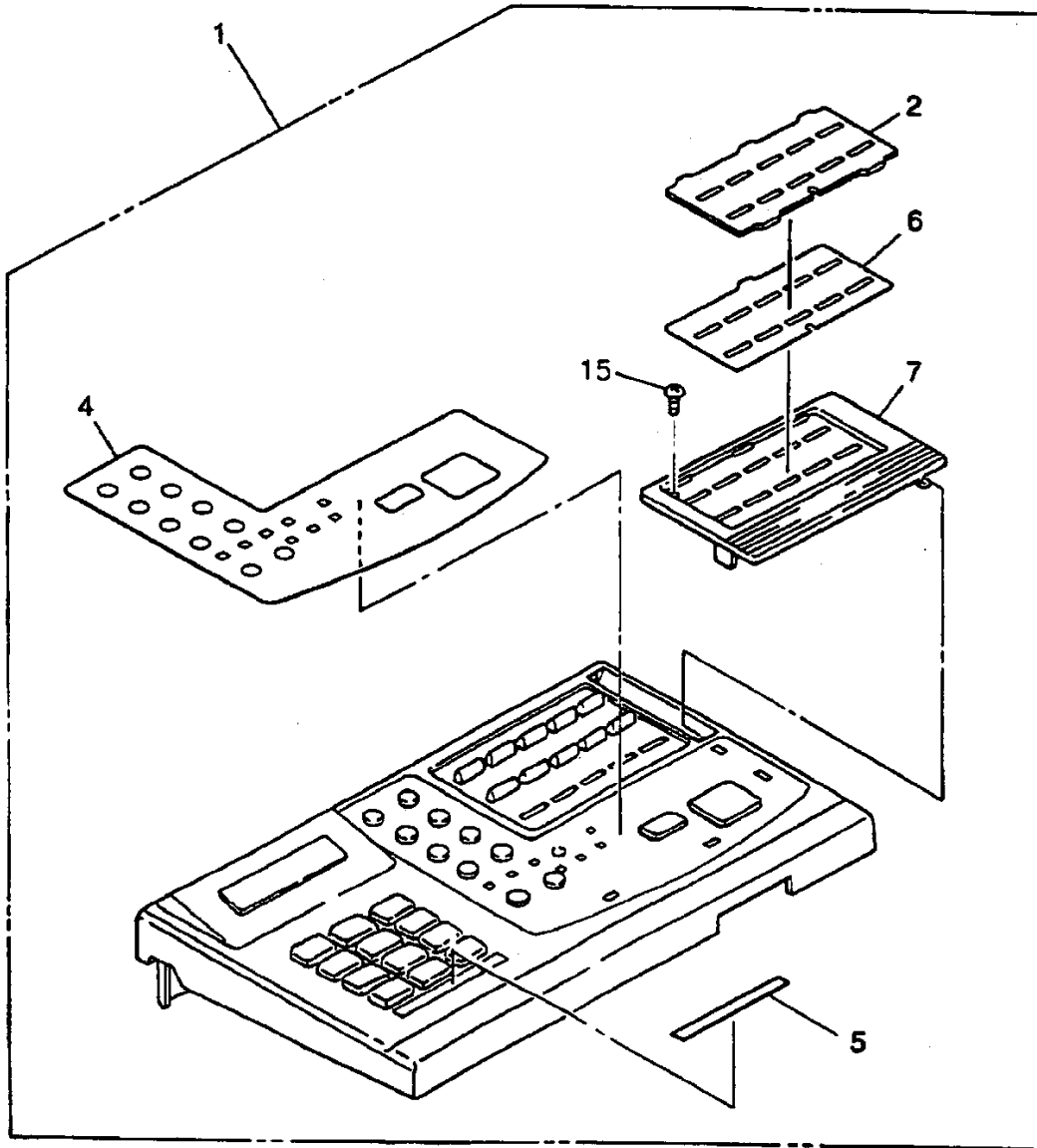
# Okifax 1050/2350/2450

OKIFAX 1050

## OKIFAX 1050 TN Section 1 CABINET

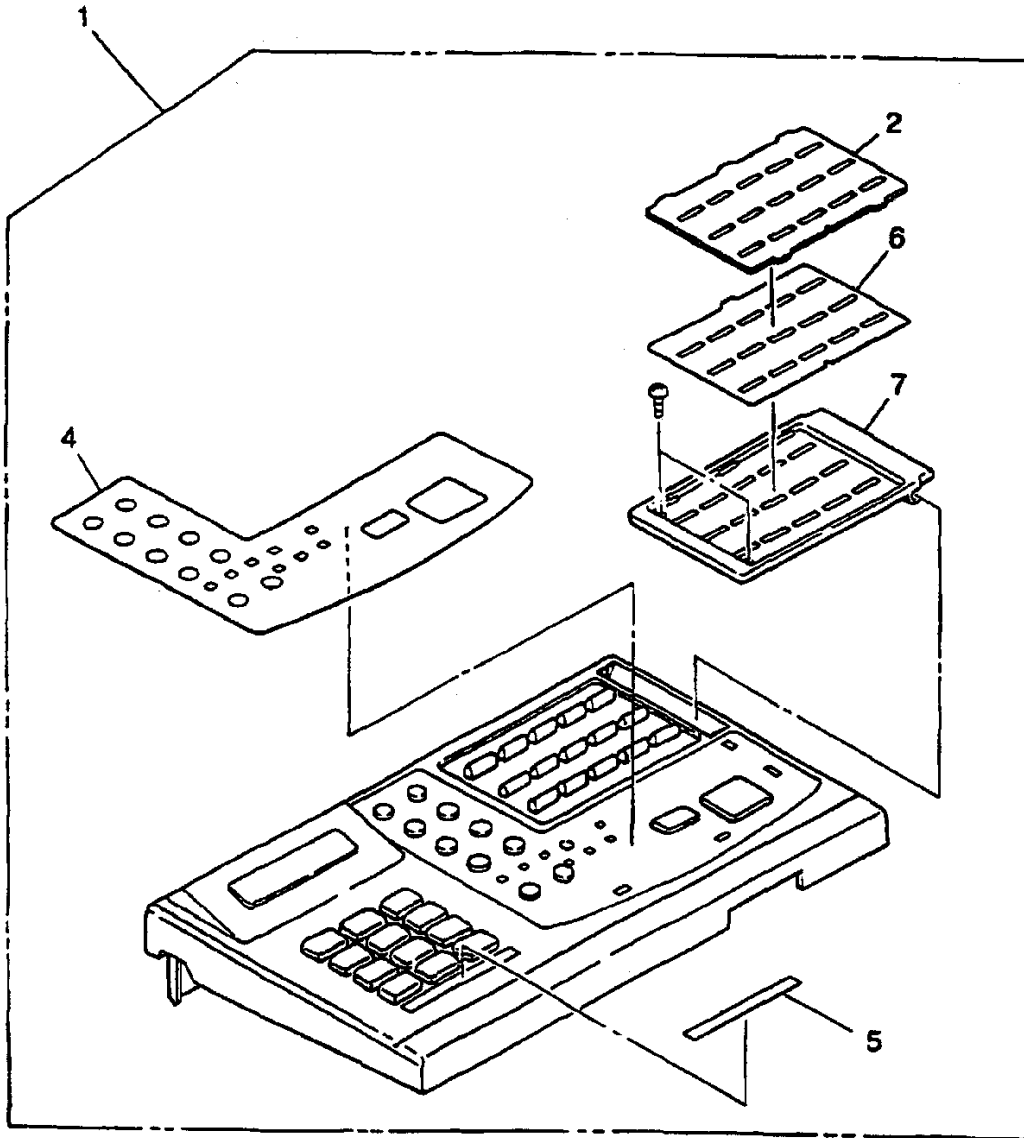
V	No.	Oki Parts Number	ODA Parts Number	Description	Q'ty
	1	1PA4120-1079G4		Document Hopper Ass'y	1
	2	2PP4120-1084P4		Sub-hopper	1
	3	2PP4120-1091P4		NCU Cover	1
	4	1PP4120-1089P4		Main Cover	1
	5	1PP4120-1092P1		Front Cover for OKIFAX 1050	1
*3	6	4YA4129-1009G1		DNCU P.W.A. for GER version	1
	7	a			
	7	b			
	8	3PP4120-1088P1		Partition Plate	1
	9	1PP4120-1090P4		Rear Cover	1
	10	1PP4120-1093P1		Stacker	1
	11	+BTD3-8-IOF		Screw	12
	12	4PB4083-2500P10		Screw	2
	13	4PB4013-3102P2		Screw	2
	14	4PB4120-1136P1		Knob Screw	2
	15	4PP4120-1161G1		Assist Guide	3
	16				

Section 2 CONTROL ASSEMBLY

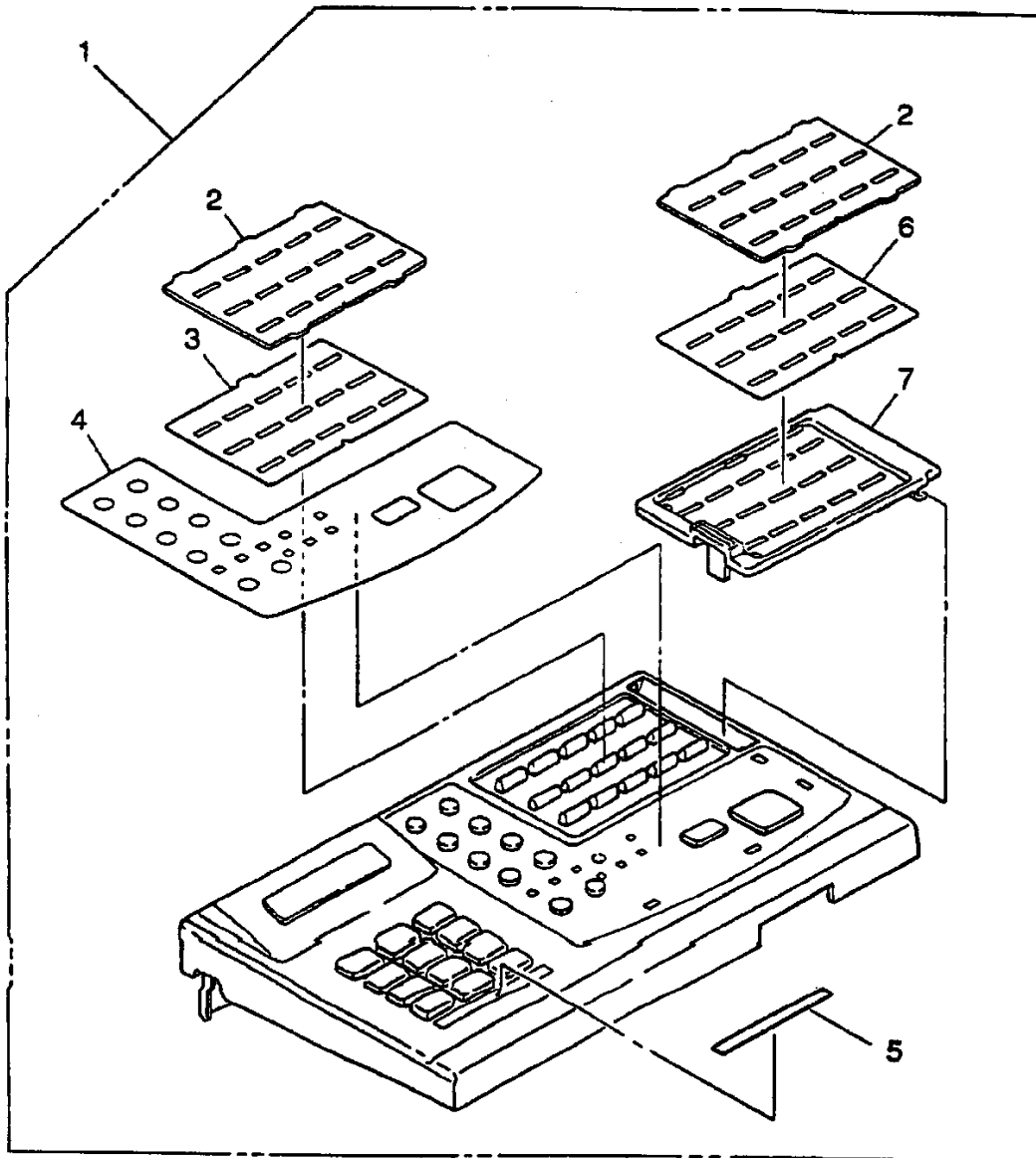




Section 2 CONTROL ASSEMBLY



Section 2 CONTROL ASSEMBLY



OKIFAX 1050/2350/2450 OKI-INT'L Section 2 CONTROL

V	No.	Oki Parts Number	ODA Parts Number	Description	Q'ty
	1 a	4YA4120-1056G5		OKIFAX 1050 OPE Unit OKI-INT'L	1
	1 b	4YA4120-1056G105		OKIFAX 2350 OPE Unit OKI-INT'L	1
	1 c	4YA4120-1056G205		OKIFAX 2450 OPE Unit OKI-INT'L	1
	2 a	4PB4120-1102P1		One-touch Cover Film for OKIFAX 1050	1
	2 b	4PB4120-1074P1		One-touch Cover Film for OKIFAX 2350	1
	2 c	4PB4120-1074P1		One-Touch Cover Film for OKIFAX 2450	2
	3	4PB4120-1073P101		One-touch Sheet OKI-INT'L for OKIFAX 2450	1
	4 a	3PB4120-1070P1		Function Sheet OKI-INT'L for OKIFAX 1050	1
	4 b	3PB4120-1070P101		Function Sheet OKI-INT'L for OKIFAX 2350	1
	4 c	3PB4120-1070P201		Function Sheet OKI-INT'L for OKIFAX 2450	1
	5	4PB4014-4776P211		Ten Key Label OKI-INT'L	1
	6 a	4PB4120-1101P1		One-touch Sheet OKI-INT'L for OKIFAX 1050	1
	6 b	4PB4120-1073P1		One-touch Sheet OKI-INT'L for OKIFAX 2350/2450	1
	7 a	1PP4120-1112P1		One-touch Cover for OKIFAX 1050	1
	7 b	1PP4120-1111P1		One-touch Cover for OKIFAX 2350	1
	7 c	1PP4120-1072P1		One-touch Cover for OKIFAX 2450	1

OKIFAX 1050/2350/2450 OEL Section 2 CONTROL

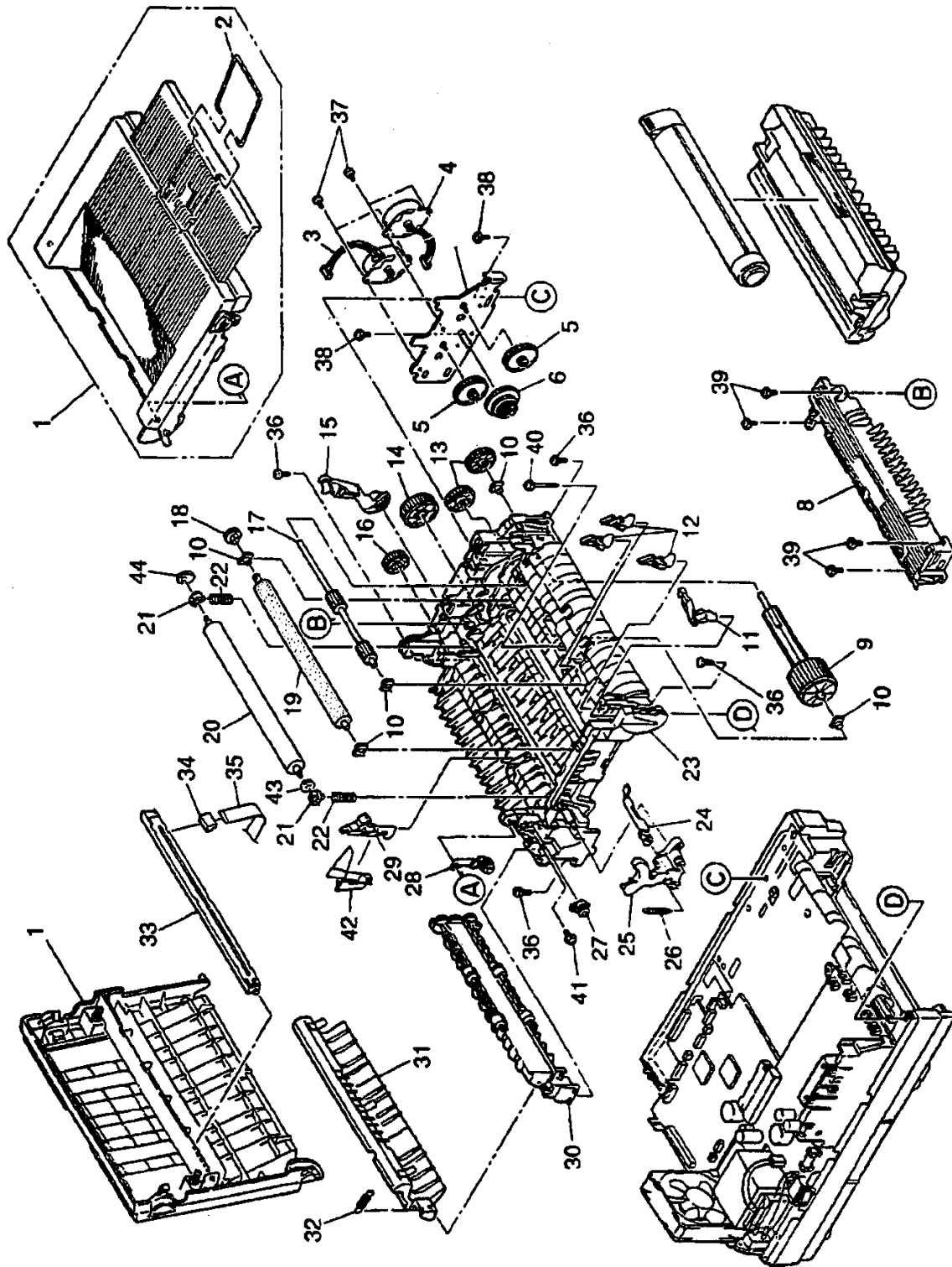
V	No.	Oki Parts Number	ODA Parts Number	Description	Q'ty
	1 a	4YA4120-1056G001		OKIFAX 1050 OPE Unit (OEL) (*Refer to Note 1)	1
	1 b	4YA4120-1056G101		OKIFAX 2350 OPE Unit (OEL) (*Refer to Note 1)	1
	1 c	4YA4120-1056G201		OKIFAX 2450 OPE Unit (OEL) (*Refer to Note 1)	1
	2 a	4PB4120-1102P1		One-touch Cover Film for OKIFAX 1050	1
	2 b	4PB4120-1074P1		One-touch Cover Film for OKIFAX 2350	1
	2 c	4PB4120-1074P1		One-Touch Cover Film for OKIFAX 2450	2
	3			One-touch Sheet OEL for OKIFAX 2450 (*Refer to Note 2)	1
	4 a			Function Sheet OEL for OKIFAX 1050 (*Refer to Note 2)	1
	4 b			Function Sheet OEL for OKIFAX 2350 (*Refer to Note 2)	1
	4 c			Function Sheet OEL for OKIFAX 2450 (*Refer to Note 2)	1
	5			Ten Key Label OEL (*Refer to Note 2)	1
	6 a			One-touch Sheet OEL for OKIFAX 1050 (*Refer to Note 2)	1
	6 b			One-touch Sheet OEL for OKIFAX 2350/2450 (*Refer to Note 2)	1
	7 a	1PP4120-1112P1		One-touch Cover for OKIFAX 1050	1
	7 b	1PP4120-1111P1		One-touch Cover for OKIFAX 2350	1
	7 c	1PP4120-1072P1		One-touch Cover for OKIFAX 2450	1

Note 1: Not includes items 2, 4, 5, 6. Note 2: Parts will be supplied in OEL.

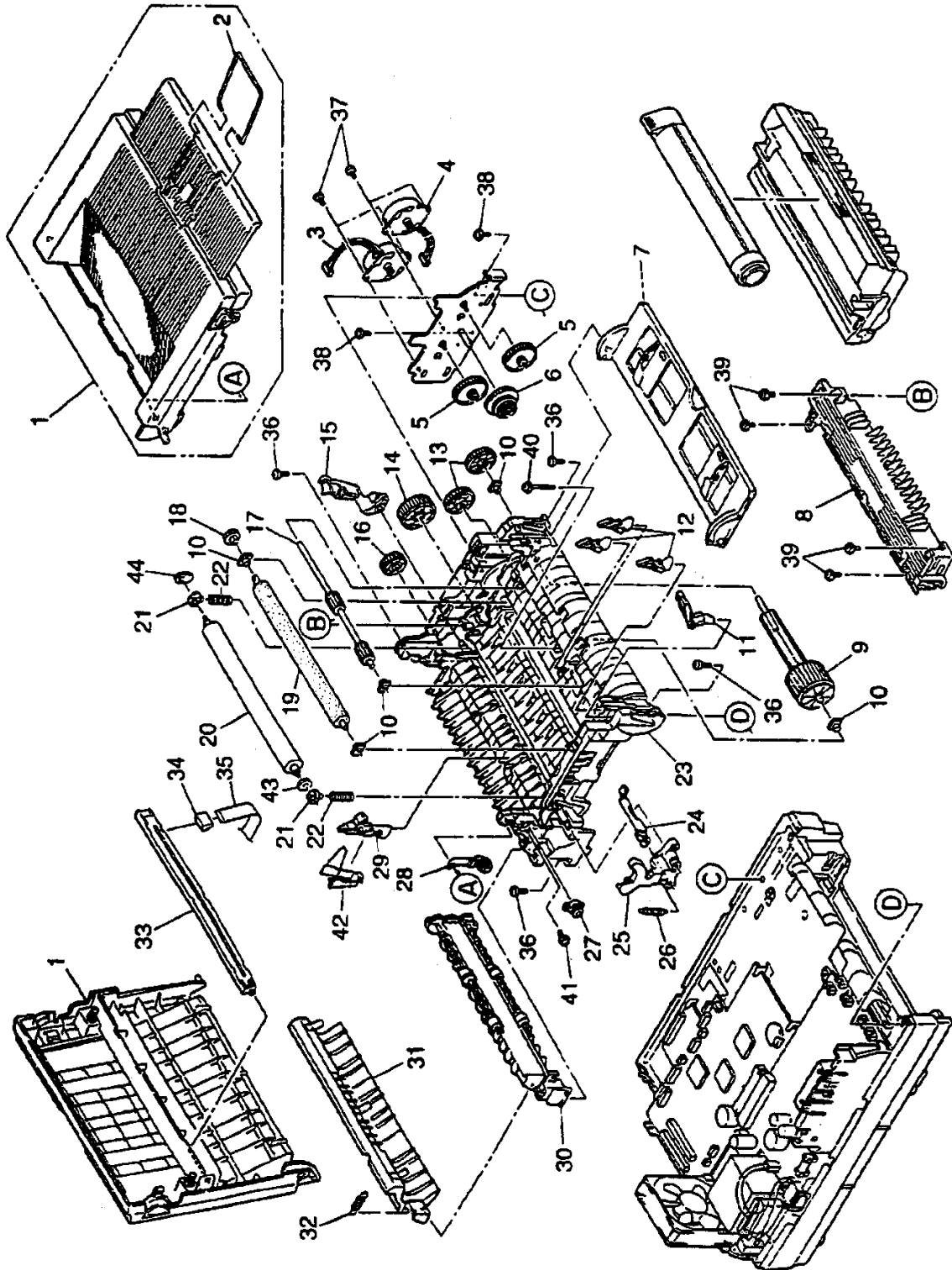
OKIFAX 1050 TN Section 2 CONTROL

V	No.	Oki Parts Number	ODA Parts Number	Description	Qty
	1 a	4YA4120-1056G22		OKIFAX 1050 OPE Unit TN	1
	1 b				
	1 c				
	2 a	4PB4120-1102P1		One-touch Cover Film for OKIFAX 1050	1
	2 b				
	2 c				
	3				
	4 a	3PB4120-1070P22		Function Sheet TN for OKIFAX 1050	1
	4 b				
	4 c				
	5	4PB4014-4776P221		Ten Key Label TN	1
	6 a	4PB4120-1101P2		One-touch Sheet TN for OKIFAX 1050	1
	6 b				
	7 a	1PP4120-1112P1		One-touch Cover for OKIFAX 1050	1
	7 b				
	7 c				

Section 3 PRINTER ASSEMBLY



Section 3 PRINTER ASSEMBLY



## OKIFAX 1050/2350/2450 OKI-INT'L Section 3 PRINTER

V	No.	Oki Parts Number	ODA Parts Number	Description	Q'ty
	1	2PA4083-6160G8		Stucker Cover Ass'y	1
	2	4PB3517-1567P1		Guide Wire	1
	3	a	4PB4122-1243P3	Pulse Motor (Main) for OKIFAX 1050	1
	3	b	4YB4120-1117P1	Pulse Motor (Main) for OKIFAX 2350/2450	1
	4	a	4PB4122-1243P2	Pulse Motor (Resist) for OKIFAX 1050	1
	4	b	4YB4120-1118P1	Pulse Motor (Resist) for OKIFAX 2350/2450	1
	5		4PP4083-2593P1	Idle Gear (Z90/16)	2
	6		3PP4083-6076P1	Reduce Speed Gear	1
	7		2PA4083-6130G1	Manual Feed Guide Ass'y (OKIFAX 2350/2450)	1
	8		2YX4120-1128G2	Fusing Unit Ass'y (230 V)	1
	9		3PA4122-1295G1	Hopping Roller Ass'y	1
	10		4PP4083-6022P2	Bearing	5
	11		4PP4083-6086G1	Toner Sensor (Adhesive)	1
	12		4PP4083-6083P1	Sensor Plate (Inlet)	3
	13		4PB4083-6024P1	One-way Clutch Gear	2
	14		4PP4083-6080P1	Idle Gear (Z36)	1
	15		3PP4083-6054P1	Reset Lever (R)	1
	16		4PP4083-6081P1	Idle Gear (Z22)	1
	17		3PB4122-1281P1	Resist Roller (F)	1
	18		4PP4083-6042P1	TR Gear	1
	19		3YB4083-7640P1	Transfer Roller	1
	20		3PB4083-6064P2	Back-up Roller	1
	21		4PP4083-6052P1	Bush	2
	22		4PP4083-6065P1	Bias Spring	2
	23		1PA4120-1157G1	Lower Base Sub Ass'y	1
	24		3PP4083-6058P1	Switch Arm	1
	25		3PP4083-6053P1	Reset Lever (L)	1
	26		4PP4083-6057P1	Reset Spring	1
	27		4PB4083-6197P1	Dumper	1
	28		4PP4083-6191G1	Dumper Arm	1
	29		4PA4083-6025G1	Sensor Plate (Outlet)	1
	30		2PA4120-1129G1	Exit Roller Ass'y	1
	31		2PA4120-1085G1	Release Guide Ass'y	1
	32		4PP4120-1087P1	Release Spring	1



OKIFAX 1050/2350/2450 OKI-INT'L Section 3 PRINTER (continued)

V	No.	Oki Parts Number	ODA Parts Number	Description	Q'ty
	33	4YA4116-1115G2		LED Head	1
	34	224A1286P0140		PX-14 PC Connector	1
	35	4YX4120-1124G1		LED Cable Ass'y	1
	36	T2P4-12-HHC		Screw	4
	37	4PB4013-3104P5		Screw	4
	38	+BTD3-8-IOF		Screw	2
	39	4PB4083-2500P10		Screw	4
	40	4PB4013-3100P25		Screw	1
	41	4PB4083-2500P8		Screw	1
	42	4PA4120-1170G1		Sensor Wire Ass'y	1
	43	4PP4120-1209P1		Washer B	1
	44	4PP4120-1210P1		Washer C	1

## OKIFAX 1050/2350/2450 OEL Section 3 PRINTER

V	No.	Oki Parts Number	ODA Parts Number	Description	Q'ty
	1	2PA4083-6160G8		Stucker Cover Ass'y	1
	2	4PB3517-1567P1		Guide Wire	1
	3	a 4PB4122-1243P3		Pulse Motor (Main) for OKIFAX 1050	1
	3	b 4YB4120-1117P1		Pulse Motor (Main) for OKIFAX 2350/2450	1
	4	a 4PB4122-1243P2		Pulse Motor (Resist) for OKIFAX 1050	1
	4	b 4YB4120-1118P1		Pulse Motor (Resist) for OKIFAX 2350/2450	1
	5	4PP4083-2593P1		Idle Gear (Z90/16)	2
	6	3PP4083-6076P1		Reduce Speed Gear	1
	7	2PA4083-6130G1		Manual Feed Guide Ass'y (OKIFAX 2350/2450)	1
	8	2YX4120-1128G2		Fusing Unit Ass'y (230 V)	1
	9	3PA4122-1295G1		Hopping Roller Ass'y	1
	10	4PP4083-6022P2		Bearing	5
	11	4PP4083-6086G1		Toner Sensor (Adhesive)	1
	12	4PP4083-6083P1		Sensor Plate (Inlet)	3
	13	4PB4083-6024P1		One-way Clutch Gear	2
	14	4PP4083-6080P1		Idle Gear (Z36)	1
	15	3PP4083-6054P1		Reset Lever (R)	1
	16	4PP4083-6081P1		Idle Gear (Z22)	1
	17	3PB4122-1281P1		Resist Roller (F)	1
	18	4PP4083-6042P1		TR Gear	1
	19	3YB4083-7640P1		Transfer Roller	1
	20	3PB4083-6064P2		Back-up Roller	1
	21	4PP4083-6052P1		Bush	2
	22	4PP4083-6065P1		Bias Spring	2
	23	1PA4120-1157G1		Lower Base Sub Ass'y	1
	24	3PP4083-6058P1		Switch Arm	1
	25	3PP4083-6053P1		Reset Lever (L)	1
	26	4PP4083-6057P1		Reset Spring	1
	27	4PB4083-6197P1		Dumper	1
	28	4PP4083-6191G1		Dumper Arm	1
	29	4PA4083-6025G1		Sensor Plate (Outlet)	1
	30	2PA4120-1129G1		Exit Roller Ass'y	1
	31	2PA4120-1085G1		Release Guide Ass'y	1
	32	4PP4120-1087P1		Release Spring	1

OKIFAX 1050/2350/2450 OEL Section 3 PRINTER (continued)

V	No.	Oki Parts Number	ODA Parts Number	Description	Qty
	33	4YA4116-1115G2		LED Head	1
	34	224A1286P0140		PX-14 PC Connector	1
	35	4YX4120-1124G1		LED Cable Ass'y	1
	36	T2P4-12-HHC		Screw	4
	37	4PB4013-3104P5		Screw	4
	38	+BTD3-8-IOF		Screw	2
	39	4PB4083-2500P10		Screw	4
	40	4PB4013-3100P25		Screw	1
	41	4PB4083-2500P8		Screw	1
	42	4PA4120-1170G1		Sensor Wire Ass'y	1
	43	4PP4120-1209P1		Washer B	1
	44	4PP4120-1210P1		Washer C	1

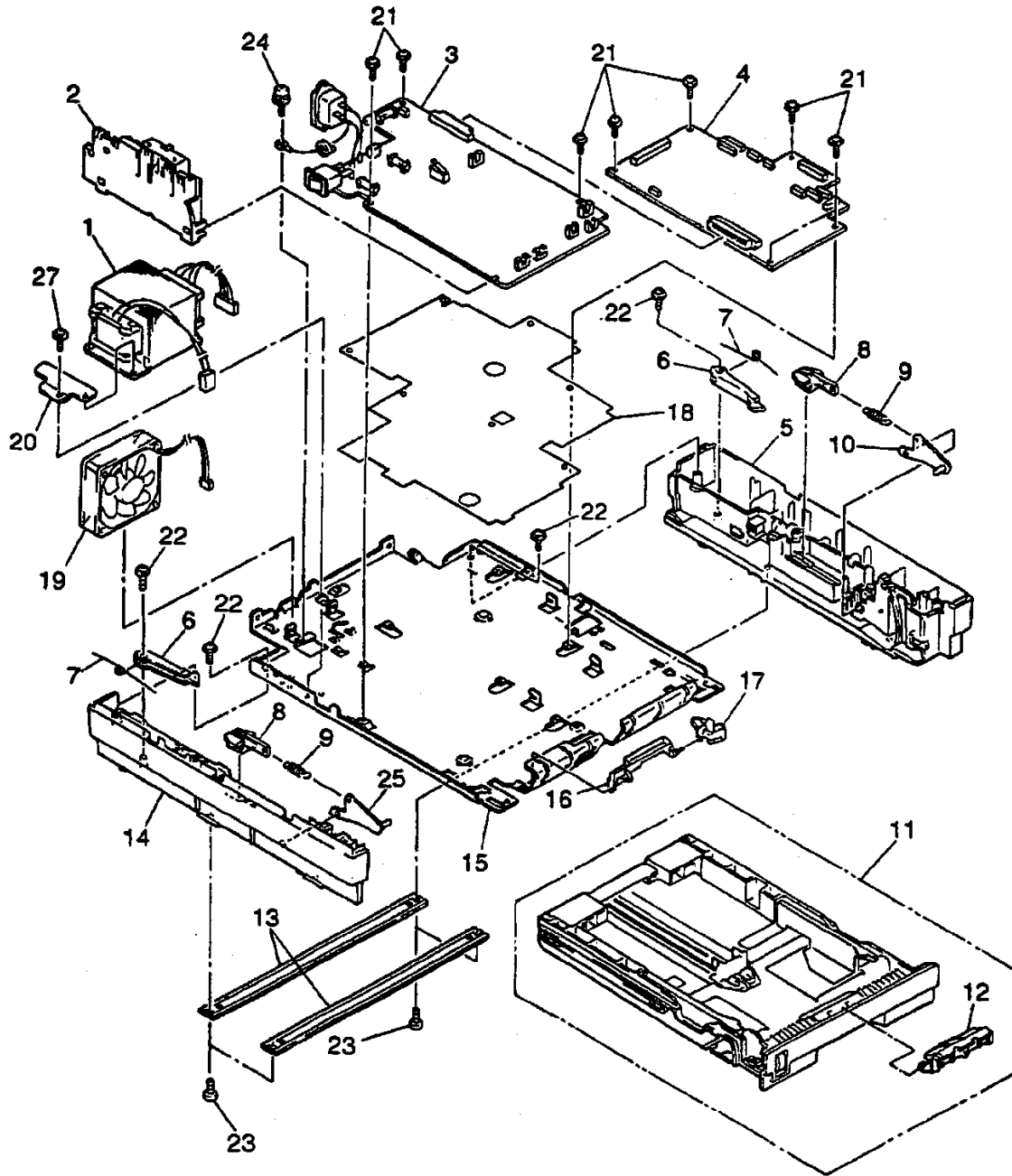
## OKIFAX 1050 TN Section 3 PRINTER

V	No.	Oki Parts Number	ODA Parts Number	Description	Q'ty
	1	2PA4083-6160G8		Stucker Cover Ass'y	1
	2	4PB3517-1567P1		Guide Wire	1
	3	a	4PB4122-1243P3	Pulse Motor (Main) for OKIFAX 1050	1
	3	b			
	4	a	4PB4122-1243P2	Pulse Motor (Resist) for OKIFAX 1050	1
	4	b			
	5	4PP4083-2593P1		Idle Gear (Z90/16)	2
	6	3PP4083-6076P1		Reduce Speed Gear	1
	7				
	8	2YX4120-1128G2		Fusing Unit Ass'y (230 V)	1
	9	3PA4122-1295G1		Hopping Roller Ass'y	1
	10	4PP4083-6022P2		Bearing	5
	11	4PP4083-6086G1		Toner Sensor (Adhesive)	1
	12	4PP4083-6083P1		Sensor Plate (Inlet)	3
	13	4PB4083-6024P1		One-way Clutch Gear	2
	14	4PP4083-6080P1		Idle Gear (Z36)	1
	15	3PP4083-6054P1		Reset Lever (R)	1
	16	4PP4083-6081P1		Idle Gear (Z22)	1
	17	3PB4122-1281P1		Resist Roller (F)	1
	18	4PP4083-6042P1		TR Gear	1
	19	3YB4083-7640P1		Transfer Roller	1
	20	3PB4083-6064P2		Back-up Roller	1
	21	4PP4083-6052P1		Bush	2
	22	4PP4083-6065P1		Bias Spring	2
	23	1PA4120-1157G1		Lower Base Sub Ass'y	1
	24	3PP4083-6058P1		Switch Arm	1
	25	3PP4083-6053P1		Reset Lever (L)	1
	26	4PP4083-6057P1		Reset Spring	1
	27	4PB4083-6197P1		Dumper	1
	28	4PP4083-6191G1		Dumper Arm	1
	29	4PA4083-6025G1		Sensor Plate (Outlet)	1
	30	2PA4120-1129G1		Exit Roller Ass'y	1
	31	2PA4120-1085G1		Release Guide Ass'y	1
	32	4PP4120-1087P1		Release Spring	1
	33	4YA4116-1115G2		LED Head	1
	34	224A1286P0140		PX-14 PC Connector	1
	35	4YX4120-1124G1		LED Cable Ass'y	1

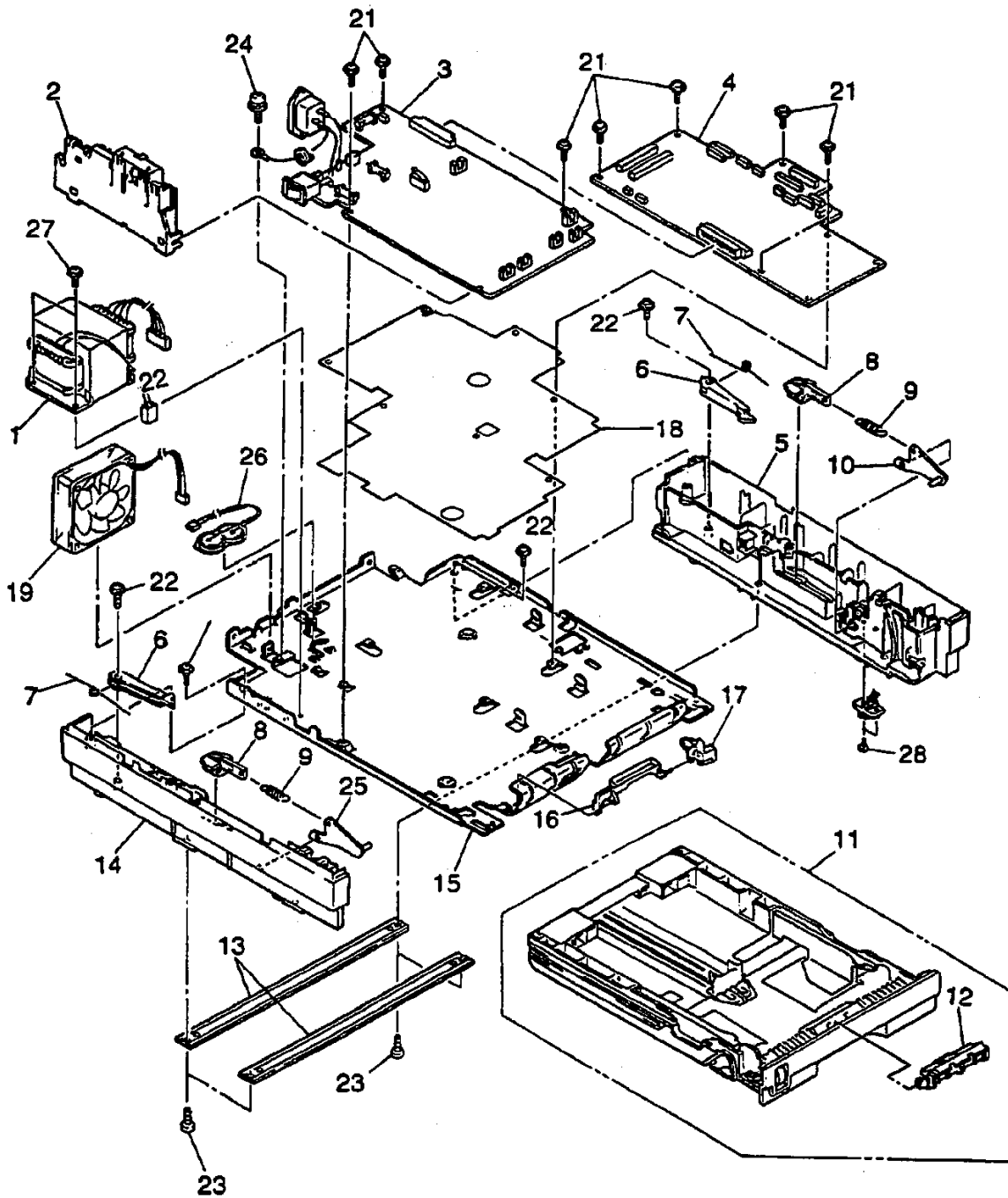
OKIFAX 1050 TN Section 3 PRINTER (continued)

V	No.	Oki Parts Number	ODA Parts Number	Description	Qty
	36	T2P4-12-HHC		Screw	4
	37	4PB4013-3104P5		Screw	4
	38	+BTD3-8-IOF		Screw	2
	39	4PB4083-2500P10		Screw	4
	40	4PB4013-3100P25		Screw	1
	41	4PB4083-2500P8		Screw	1
	42	4PA4120-1170G1		Sensor Wire Ass'y	1
	43	4PP4120-1209P1		Washer B	1
	44	4PP4120-1210P1		Washer C	1

Section 4 BASE ASSEMBLY



## Section 4 BASE ASSEMBLY



## OKIFAX 1050/2350/2450 OKI-INT'L Section 4 BASE

V	No.	Oki Parts Number	ODA Parts Number	Description	Q'ty
	1	a	4YB4049-7033P2	Power Transformer for OKIFAX 1050	1
	1	b	4YB4049-7083P1	Power Transformer for OKIFAX 2350/2450	1
	2		3PA4083-6090G1	Contact Ass'y	1
	3		4YA4049-7109G2	Power Supply Unit (230 V)	1
	4	a	4YA4134-1031G1	Control P.W.A. for OKIFAX 1050	1
	4	b	4YA4135-1031G11	Control P.W.A. for OKIFAX 2350	1
	4	c	4YA4135-1031G12	Control P.W.A. for OKIFAX 2450	1
	5		3PP4083-7671G1	Cassette Guide (R) Ass'y	1
	6		3PP4083-7653P1	Cassette Lock Lever	2
	7		4PP4083-7655P1	Cassette Lock Spring	2
	8		4PP4122-1170P1	Link Pull Block	2
	9		4PP4083-7666P1	Sheet Spring	2
	10		4PP4083-7658G1	Sheet Link (R)	1
	11		1PA4120-1162G1	Paper Cassette Ass'y	1
	12		3PP4083-5563G1	Separation Frame Ass'y	1
	13		3PP4083-7660P1	Beam	2
	14		3PP4083-7670G1	Cassette Guide (L) Ass'y	1
	15		1PA4120-1158G1	Base Plate Sub Ass'y	1
	16		3PP4083-6154P1	Cassette Sensor Plate	1
	17		4PP4083-7667P1	Sensor Plate (Supply Paper)	1
	18		2PB4120-1103P1	Insulator	1
	19		4YB4120-1119P1	DC Fan Motor	1
	20		4PP4120-1100P1	Dummy Plate for OKIFAX 1050	1
	21		4PB4013-3102P2	Screw	8
	22		4PB4083-2500P10	Screw	4
	23		+T2P3-8-HHC	Screw	4
	24		+P (SW+W) 4-6-HHC	Screw	1
	25		4PP4083-7657G1	Sheet Link (L)	1
	26		4YB4120-1094P1	Battery for OKIFAX 2450	1
	27	a	+BTD3-8-IOF	Screw for OKIFAX 1050	1
	27	b	+BTD3-8-IOF	Screw for OKIFAX 2350/2450	2
	28		+TP2.6-8-HHC	Screw for OKIFAX 2350/2450	2



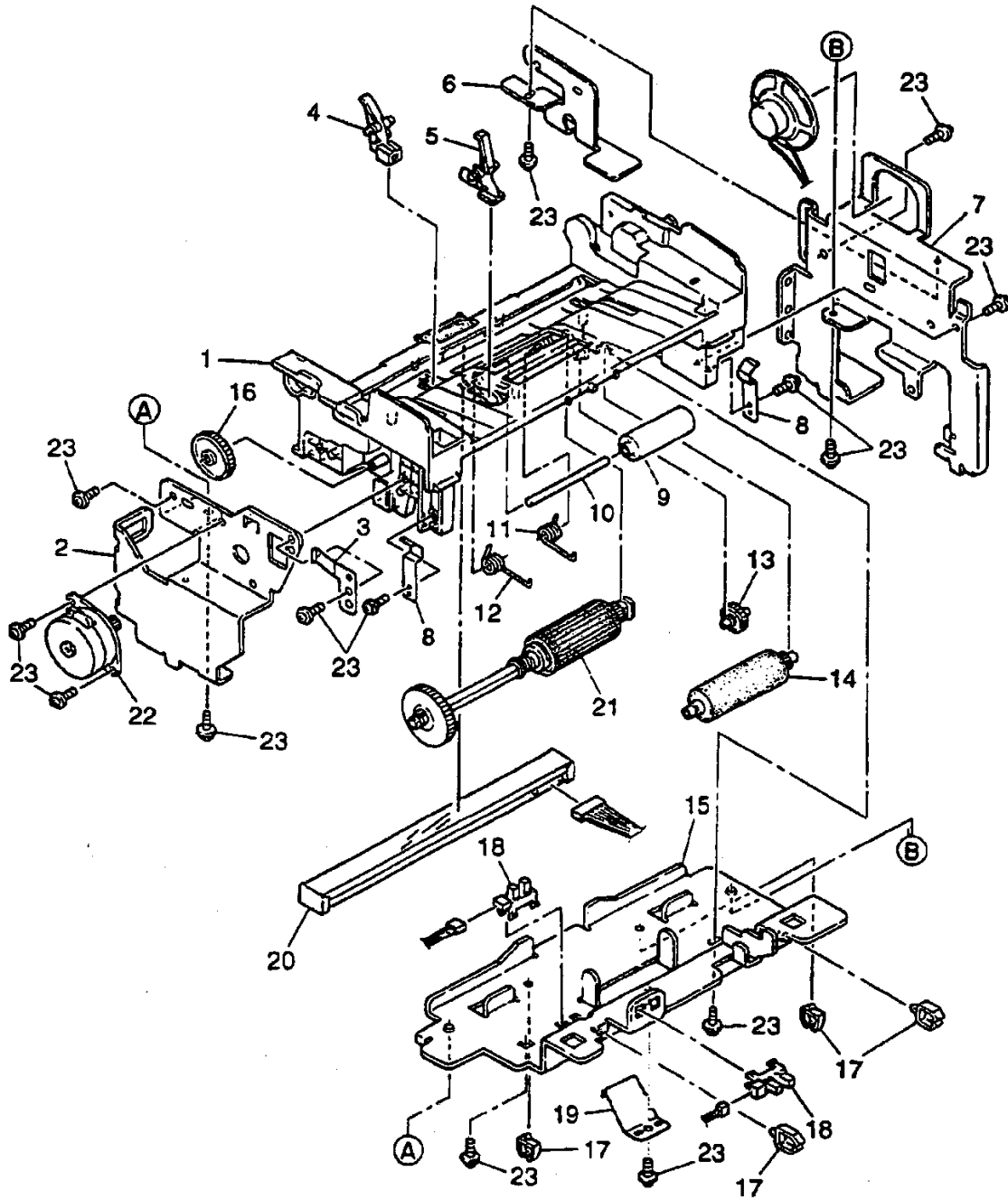
## OKIFAX 1050/2350/2450 OEL Section 4 BASE

V	No.	Oki Parts Number	ODA Parts Number	Description	Q'ty
	1	a	4YB4049-7033P2	Power Transformer for OKIFAX 1050	1
	1	b	4YB4049-7083P1	Power Transformer for OKIFAX 2350/2450	1
	2		3PA4083-6090G1	Contact Ass'y	1
	3		4YA4049-7109G2	Power Supply Unit (230 V)	1
	4	a	4YA4134-1031G1	Control P.W.A. for OKIFAX 1050	1
	4	b	4YA4135-1031G11	Control P.W.A. for OKIFAX 2350	1
	4	c	4YA4135-1031G12	Control P.W.A. for OKIFAX 2450	1
	5		3PP4083-7671G1	Cassette Guide (R) Ass'y	1
	6		3PP4083-7653P1	Cassette Lock Lever	2
	7		4PP4083-7655P1	Cassette Lock Spring	2
	8		4PP4122-1170P1	Link Pull Block	2
	9		4PP4083-7666P1	Sheet Spring	2
	10		4PP4083-7658G1	Sheet Link (R)	1
	11		1PA4120-1162G1	Paper Cassette Ass'y	1
	12		3PP4083-5563G1	Separation Frame Ass'y	1
	13		3PP4083-7660P1	Beam	2
	14		3PP4083-7670G1	Cassette Guide (L) Ass'y	1
	15		1PA4120-1158G1	Base Plate Sub Ass'y	1
	16		3PP4083-6154P1	Cassette Sensor Plate	1
	17		4PP4083-7667P1	Sensor Plate (Supply Paper)	1
	18		2PB4120-1103P1	Insulator	1
	19		4YB4120-1119P1	DC Fan Motor	1
	20		4PP4120-1100P1	Dummy Plate for OKIFAX 1050	1
	21		4PB4013-3102P2	Screw	8
	22		4PB4083-2500P10	Screw	4
	23		+T2P3-8-HHC	Screw	4
	24		+P (SW+W) 4-6-HHC	Screw	1
	25		4PP4083-7657G1	Sheet Link (L)	1
	26		4YB4120-1094P1	Battery for OKIFAX 2450	1
	27	a	+BTD3-8-IOF	Screw for OKIFAX 1050	1
	27	b	+BTD3-8-IOF	Screw for OKIFAX 2350/2450	2
	28		+TP2.6-8-HHC	Screw for OKIFAX 2350/2450	2

OKIFAX 1050 TN Section 4 BASE

V	No.	Oki Parts Number	ODA Parts Number	Description	Q'ty
	1	a	4YB4049-7033P2	Power Transformer for OKIFAX 1050	1
	1	b			
	2		3PA4083-6090G1	Contact Ass'y	1
	3		4YA4049-7109G2	Power Supply Unit (230 V)	1
	4	a	4YA4134-1031G1	Control P.W.A. for OKIFAX 1050	1
	4	b			
	4	c			
	5		3PP4083-7671G1	Cassette Guide (R) Ass'y	1
	6		3PP4083-7653P1	Cassette Lock Lever	2
	7		4PP4083-7655P1	Cassette Lock Spring	2
	8		4PP4122-1170P1	Link Pull Block	2
	9		4PP4083-7666P1	Sheet Spring	2
	10		4PP4083-7658G1	Sheet Link (R)	1
	11		1PA4120-1162G1	Paper Cassette Ass'y	1
	12		3PA4120-1163G1	Separation Frame Ass'y	1
	13		3PP4083-7660P1	Beam	2
	14		3PP4083-7670G1	Cassette Guide (L) Ass'y	1
	15		1PA4120-1158G1	Base Plate Sub Ass'y	1
	16		3PP4083-6154P1	Cassette Sensor Plate	1
	17		4PP4083-7667P1	Sensor Plate (Supply Paper)	1
	18		2PB4120-1103P1	Insulator	1
	19		4YB4120-1119P1	DC Fan Motor	1
	20		4PP4120-1100P1	Dummy Plate for OKIFAX 1050	1
	21		4PB4013-3102P2	Screw	8
	22		4PB4083-2500P10	Screw	4
	23		+T2P3-8-HHC	Screw	4
	24		+P (SW+W) 4-6-HHC	Screw	1
	25		4PP4083-7657G1	Sheet Link (L)	1
	26				
	27		+BTD3-8-IOF	Screw	1

Section 5 SCAN UNIT



OKIFAX 1050/2350/2450 OKI-INT'L Section 5 SCAN UNIT

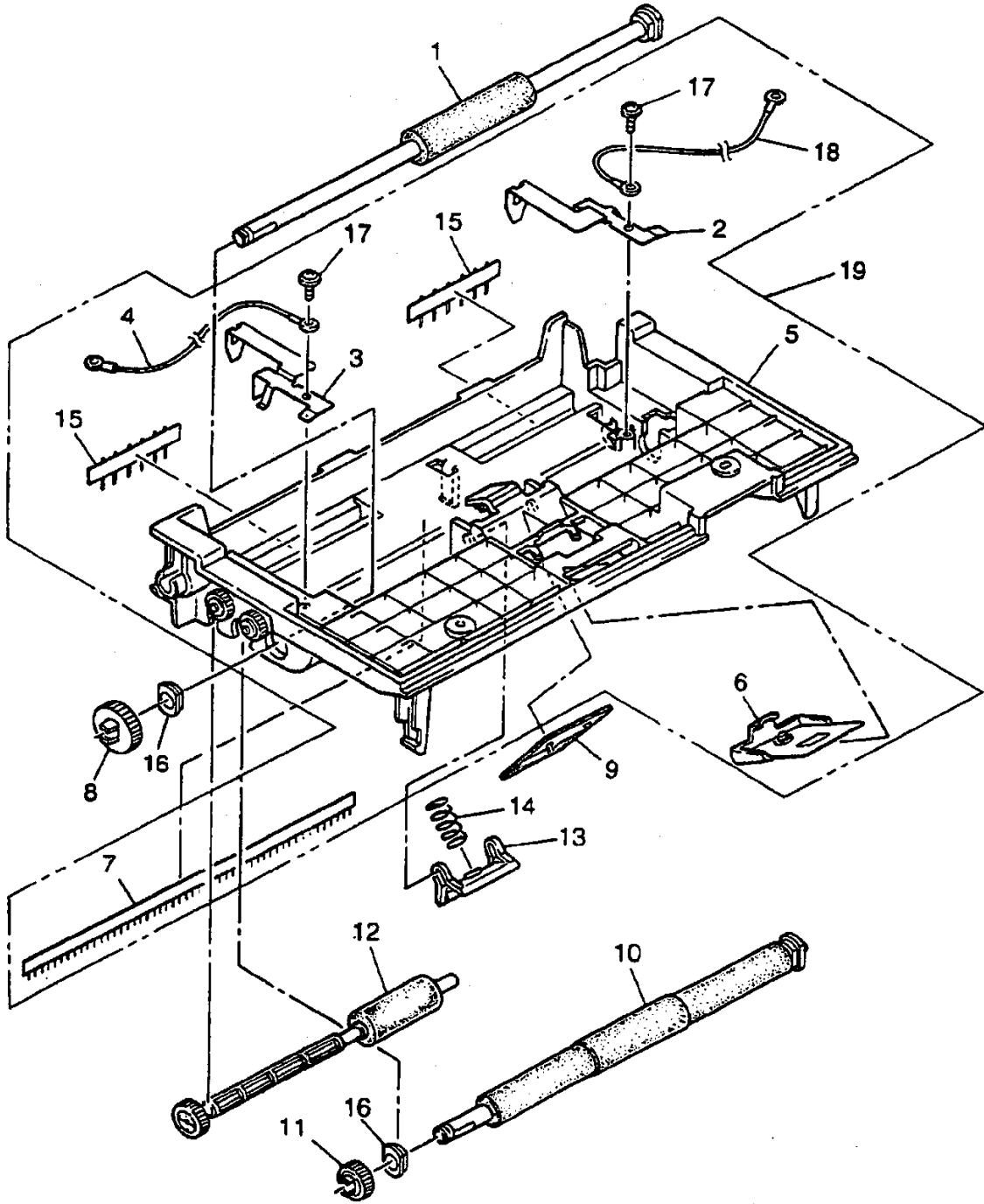
V	No.	Oki Parts Number	ODA Parts Number	Description	Q'ty
	1	2PA4120-1160G1		Scanner Frame Sub Ass'y	1
	2	2PP4120-1034P1		Scanner Base (L)	1
	3	4PP4120-1023P1		Earth Plate ADF	1
	4	3PP4120-1017P1		PC2 Lever	1
	5	3PP4120-1016P1		PC1 Lever	1
	6	3PP4120-1038P1		Pocket Plate	1
	7	2PP4120-1037P1		Scanner Base (R)	1
	8	4PP4120-1032P1		Latch Spring	2
	9	4PP3529-5045P1		Pinch Roller	1
	10	4PP4120-1020P1		Pinch Roller Shaft	1
	11	4PP4120-1022P1		Pinch Spring R	1
	12	4PP4120-1021P1		Pinch Spring L	1
	13	4PP3529-5033P1		Gear (Z20)	1
	14	4PA3529-5082G1		Sub-roller Ass'y	1
	15	2PP4120-1029P1		Scanner Bottom Plate	1
	16	4PP3529-5039P1		Gear (Z81/15)	1
	17	4PB3527-5803P1		Mini Clamp	4
	18	4YB4120-1137P1		FX-050 Photo Sensor	2
	19	4PP4120-1030P1		Scanner Spring	1
	20	4YB4120-1121P1		Contact Image Sensor	1
	21	3PA4120-1018G1		ADF Roller Ass'y	1
	22 a	4YB4120-1035P1		S Motor for OKIFAX 1050	1
	22 b	4YB4120-1036P1		S Motor for OKIFAX 2350/2450	1
	23	+BTD3-8-10F		Screw	14



OKIFAX 1050 TN Section 5 SCAN UNIT

V	No.	Oki Parts Number	ODA Parts Number	Description	Q'ty
	1	2PA4120-1160G1		Scanner Frame Sub Ass'y	1
	2	2PP4120-1034P1		Scanner Base (L)	1
	3	4PP4120-1023P1		Earth Plate ADF	1
	4	3PP4120-1017P1		PC2 Lever	1
	5	3PP4120-1016P1		PC1 Lever	1
	6	3PP4120-1038P1		Pocket Plate	1
	7	2PP4120-1037P1		Scanner Base (R)	1
	8	4PP4120-1032P1		Latch Spring	2
	9	4PP3529-5045P1		Pinch Roller	1
	10	4PP4120-1020P1		Pinch Roller Shaft	1
	11	4PP4120-1022P1		Pinch Spring R	1
	12	4PP4120-1021P1		Pinch Spring L	1
	13	4PP3529-5033P1		Gear (Z20)	1
	14	4PA3529-5082G1		Sub-roller Ass'y	1
	15	2PP4120-1029P1		Scanner Bottom Plate	1
	16	4PP3529-5039P1		Gear (Z81/15)	1
	17	4PB3527-5803P1		Mini Clamp	4
	18	4YB4120-1137P1		FX-050 Photo Sensor	2
	19	4PP4120-1030P1		Scanner Spring	1
	20	4YB4120-1121P1		Contact Image Sensor	1
	21	3PA4120-1018G1		ADF Roller Ass'y	1
	22	a 4YB4120-1035P1		S Motor for OKIFAX 1050	1
	22	b			
	23	+BTD3-8-10F		Screw	14

Section 6 PAPER GUIDE U ASSEMBLY



OKIFAX 1050/2350/2450 OKI-INT'L Section 6 PAPER GUIDE

V	No.	Oki Parts Number	ODA Parts Number	Description	Q'ty
	1	3PA4120-1045G1		Feed Roller (I) Ass'y	1
	2	4PP4120-1047P1		Earth Plate (SR)	1
	3	4PP4120-1048P1		Earth Plate (SL)	1
2	4	4YS4011-1714P2		Earth Code	1
	5	2PA4120-1159G1		Paper Guide (U) Sub Ass'y	1
	6	4PA4120-1041G1		Pinch Plate Ass'y	1
	7	4PB4120-1051P1		Electrical Discharge Brush	1
	8	4PP3529-5035P1		Gear (Z28)	1
	9	4PA3529-5087G1		Separation Rubber Ass'y	1
	10	3PA4120-1049G1		Sensor Roller Ass'y	1
	11	4PP3529-5034P1		Gear (Z22)	1
	12	3PA4120-1052G1		Exit Roller Ass'y	1
	13	4PP3527-5153P1		Back-up Plate	1
	14	4PP4120-1044P1		ADF Spring	1
	15	4PB4120-1051P2		Electrical Discharge Brush	2
	16	4PP3522-3568P1		Bearing	2
	17	+BTP3-8-IOF		Screw	2
2	18	4YS4011-1714P3		Earth Code	1
2	19	2PA4120-1213G1		Paper Guide (U) Frame Ass'y	1



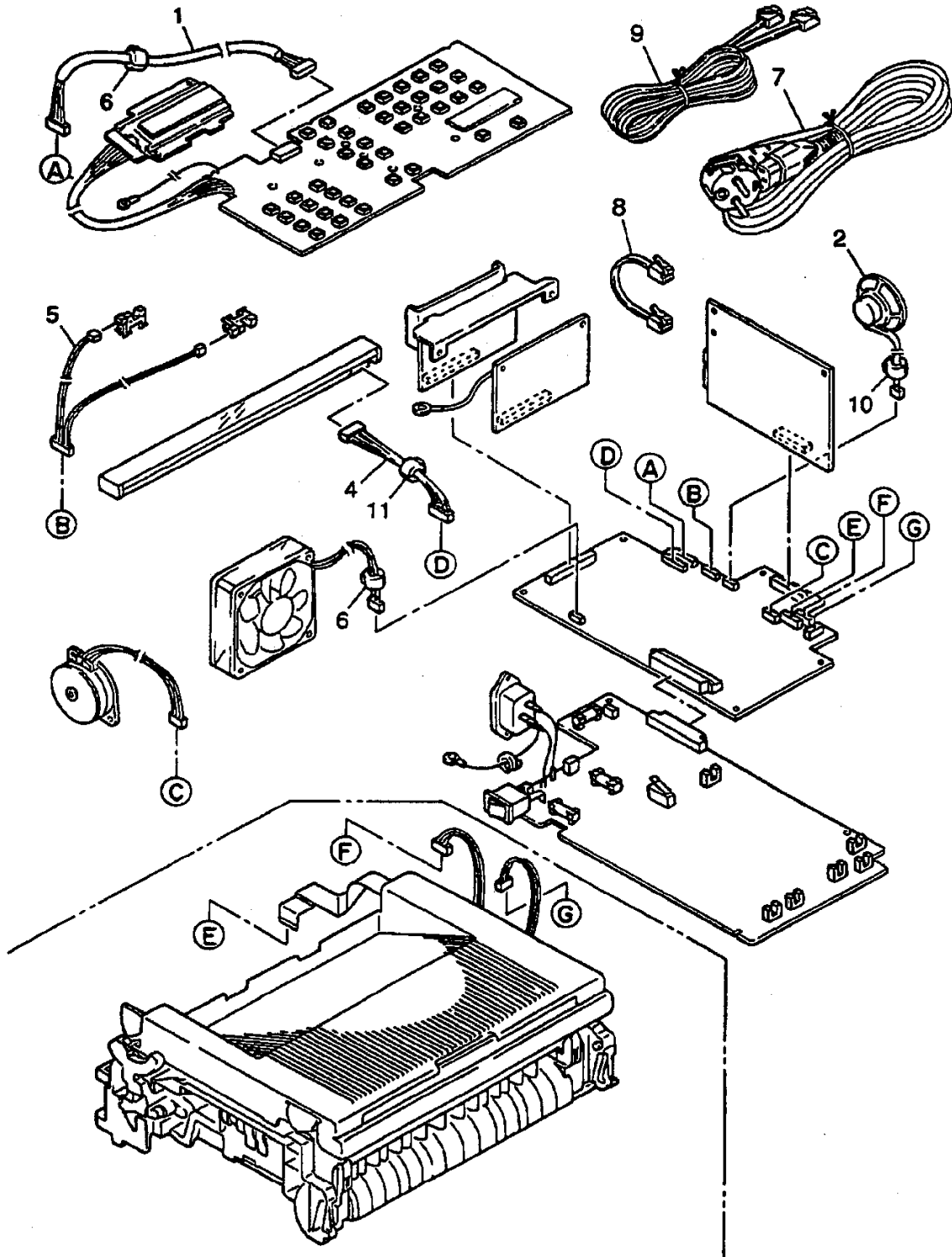
OKIFAX 1050/2350/2450 OEL Section 6 PAPER GUIDE

V	No.	Oki Parts Number	ODA Parts Number	Description	Q'ty
	1	3PA4120-1045G1		Feed Roller (1) Ass'y	1
	2	4PP4120-1047P1		Earth Plate (SR)	1
	3	4PP4120-1048P1		Earth Plate (SL)	1
2	4	4YS4011-1714P2		Earth Code	1
	5	2PA4120-1159G1		Paper Guide (U) Sub Ass'y	1
	6	4PA4120-1041G1		Pinch Plate Ass'y	1
	7	4PB4120-1051P1		Electrical Discharge Brush	1
	8	4PP3529-5035P1		Gear (Z28)	1
	9	4PA3529-5087G1		Separation Rubber Ass'y	1
	10	3PA4120-1049G1		Sensor Roller Ass'y	1
	11	4PP3529-5034P1		Gear (Z22)	1
	12	3PA4120-1052G1		Exit Roller Ass'y	1
	13	4PP3527-5153P1		Back-up Plate	1
	14	4PP4120-1044P1		ADF Spring	1
	15	4PB4120-1051P2		Electrical Discharge Brush	2
	16	4PP3522-3568P1		Bearing	2
	17	+BTP3-8-IOF		Screw	2
2	18	4YS4011-1714P3		Earth Code	1
2	19	2PA4120-1213G1		Paper Guide (U) Frame Ass'y	1

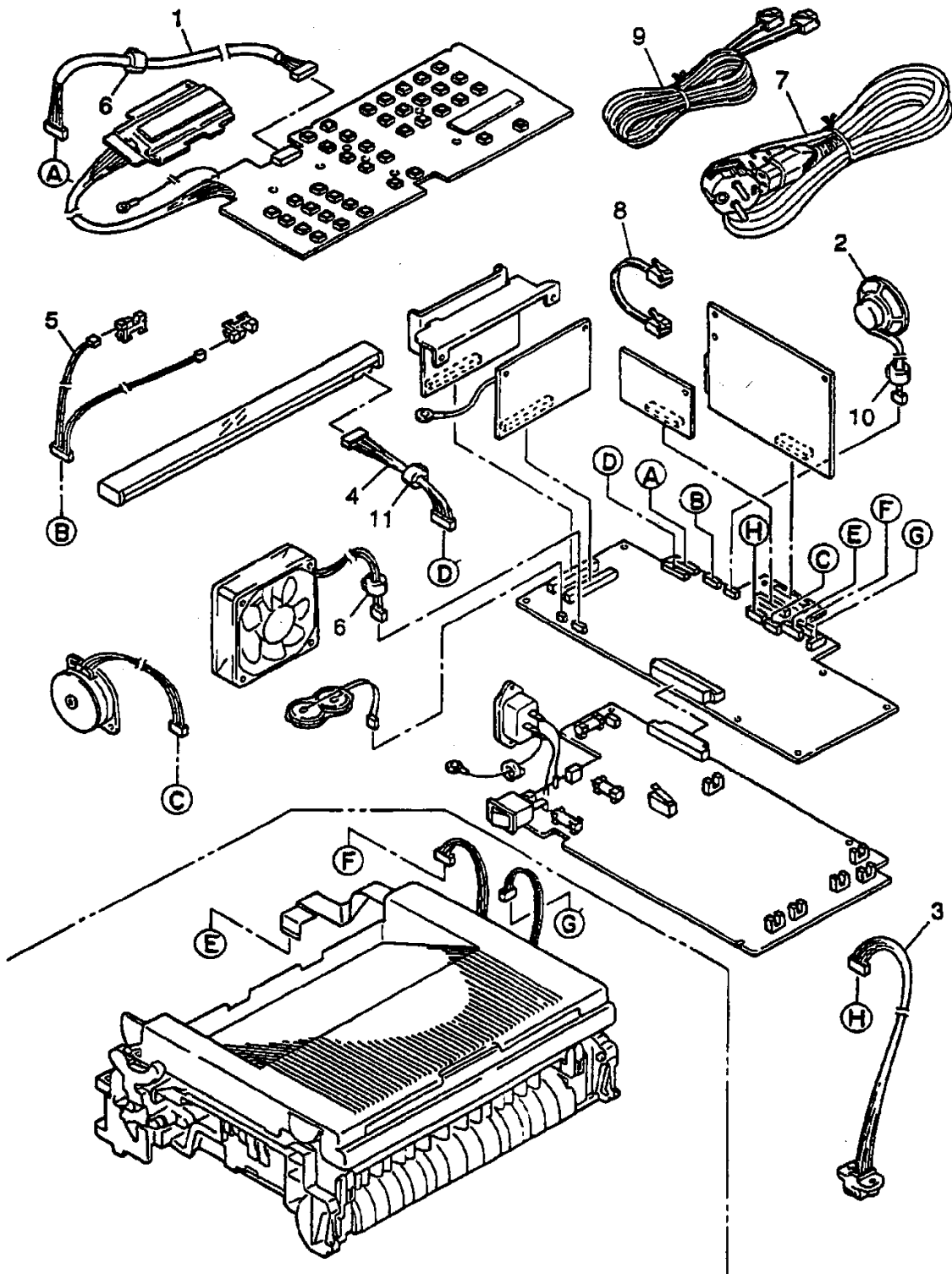
OKIFAX 1050 TN Section 6 PAPER GUIDE

V	No.	Oki Parts Number	ODA Parts Number	Description	Q'ty
	1	3PA4120-1045G1		Feed Roller (1) Ass'y	1
	2	4PP4120-1047P1		Earth Plate (SR)	1
	3	4PP4120-1048P1		Earth Plate (SL)	1
2	4	4YS4011-1714P2		Earth Code	1
	5	2PA4120-1159G1		Paper Guide (U) Sub Ass'y	1
	6	4PA4120-1041G1		Pinch Plate Ass'y	1
	7	4PB4120-1051P1		Electrical Discharge Brush	1
	8	4PP3529-5035P1		Gear (Z28)	1
	9	4PA3529-5087G1		Separation Rubber Ass'y	1
	10	3PA4120-1049G1		Sensor Roller Ass'y	1
	11	4PP3529-5034P1		Gear (Z22)	1
	12	3PA4120-1052G1		Exit Roller Ass'y	1
	13	4PP3527-5153P1		Back-up Plate	1
	14	4PP4120-1044P1		ADF Spring	1
	15	4PB4120-1051P2		Electrical Discharge Brush	2
	16	4PP3522-3568P1		Bearing	2
	17	+BTP3-8-IOF		Screw	2
2	18	4YS4011-1714P3		Earth Code	1
2	19	2PA4120-1213G1		Paper Guide (U) Frame Ass'y	1

Section 7 CABLES



Section 7 CABLES



OKIFAX 1050/2350/2450 OKI-INT'L Section 7 CABLES

V	No.	Oki Parts Number	ODA Parts Number	Description	Q'ty
	1	4YS4111-3440P1		Connector Code	1
	2	4YB4120-1026P1		Speaker	1
	3	3YS4111-3527P1		Connector Code (2nd Tray) for OKIFAX 2350/2450	1
	4	4YS4111-3441P1		P.W.A. Connector Code	1
	5	4YS4111-3442P1		P.W.A. Connector Code	1
	6	105A1070C0001		Ferrite Core	2
	7	236A6058P1		Power Code	1
	8				
	9			TEL/LINE Cable (*Refer to Note 1)	1
	10	105A1051C1003		Ferrite Core	1
	11	105A1070C0003		Ferrite Core	1

Note 1: Parts will be supplied from each dealer.

## OKIFAX 1050/2350/2450 OEL Section 7 CABLES

V	No.	OkI Parts Number	ODA Parts Number	Description	Q'ty
	1	4YS4111-3440P1		Connector Code	1
	2	4YB4120-1026P1		Speaker	1
	3	3YS4111-3527P1		Connector Code (2nd Tray) for OKIFAX 2350/2450	1
	4	4YS4111-3441P1		P.W.A. Connector Code	1
	5	4YS4111-3442P1		P.W.A. Connector Code	1
	6	105A1070C0001		Ferrite Core	2
	7			Power Code (*Refer to Note 1)	1
	8			Plug with Cable (*Refer to Note 1)	
	9			TEL/LINE Cable (*Refer to Note 1)	1
	10	105A1051C1003		Ferrite Core	1
	11	105A1070C0003		Ferrite Core	1

Note 1: Parts will be supplied in OEL.

OKIFAX 1050 TN Section 7 CABLES

V	No.	Oki Parts Number	ODA Parts Number	Description	Q'ty
	1	4YS4111-3440P1		Connector Code	1
	2	4YB4120-1026P1		Speaker	1
	3				
	4	4YS4111-3441P1		P.W.A. Connector Code	1
	5	4YS4111-3442P1		P.W.A. Connector Code	1
	6	105A1070C0001		Ferrite Core	2
	7	236A6058P1		Power Code	1
	8	4YS4111-5581P1		Plug with Cable	1
	9	4YB3522-1297G1		TEL/LINE Cable	1
	10	105A1051C1003		Ferrite Core	1
	11	105A1070C0003		Ferrite Core	1