

Parts Catalog

Legend

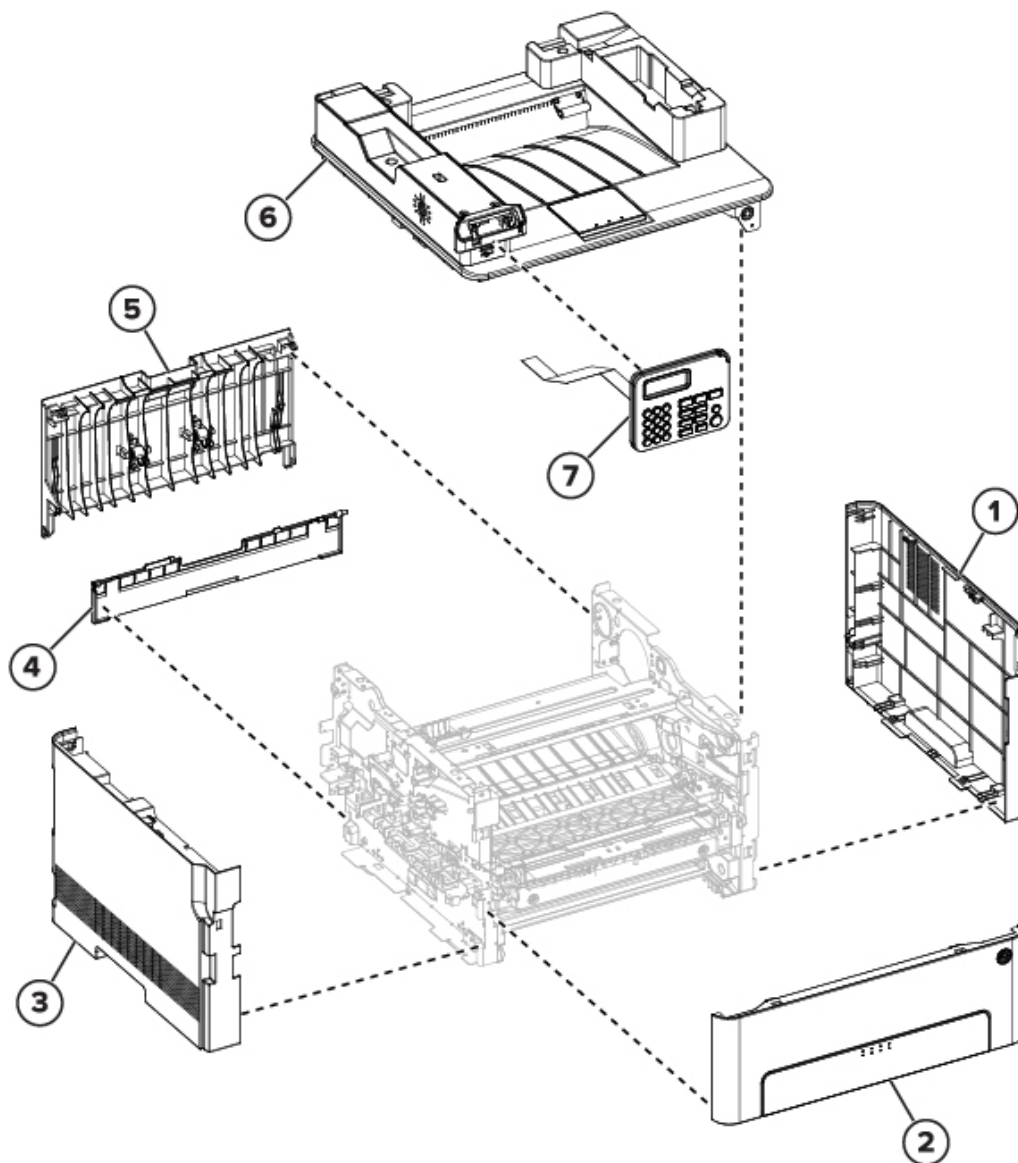
The following column headings are used in the parts catalog:

- **Asm-index**—Identifies the item in the illustration.
- **Part number**—Identifies the unique number that correlates with the part.
- **Units/mach**—Refers to the number of units actually used in the base machine or product.
- **Units/FRU**—Refers to the number of units in a particular FRU.
- **Description**—Describes the part.

The following abbreviations are used in the parts catalog:

- **NS** (not shown) in the Asm-index column indicates that the part is procurable but is not pictured in the illustration.
- **PP** (parts packet) in the Description column indicates that the part is contained in a parts packet.

Assembly 1: Covers (B225)

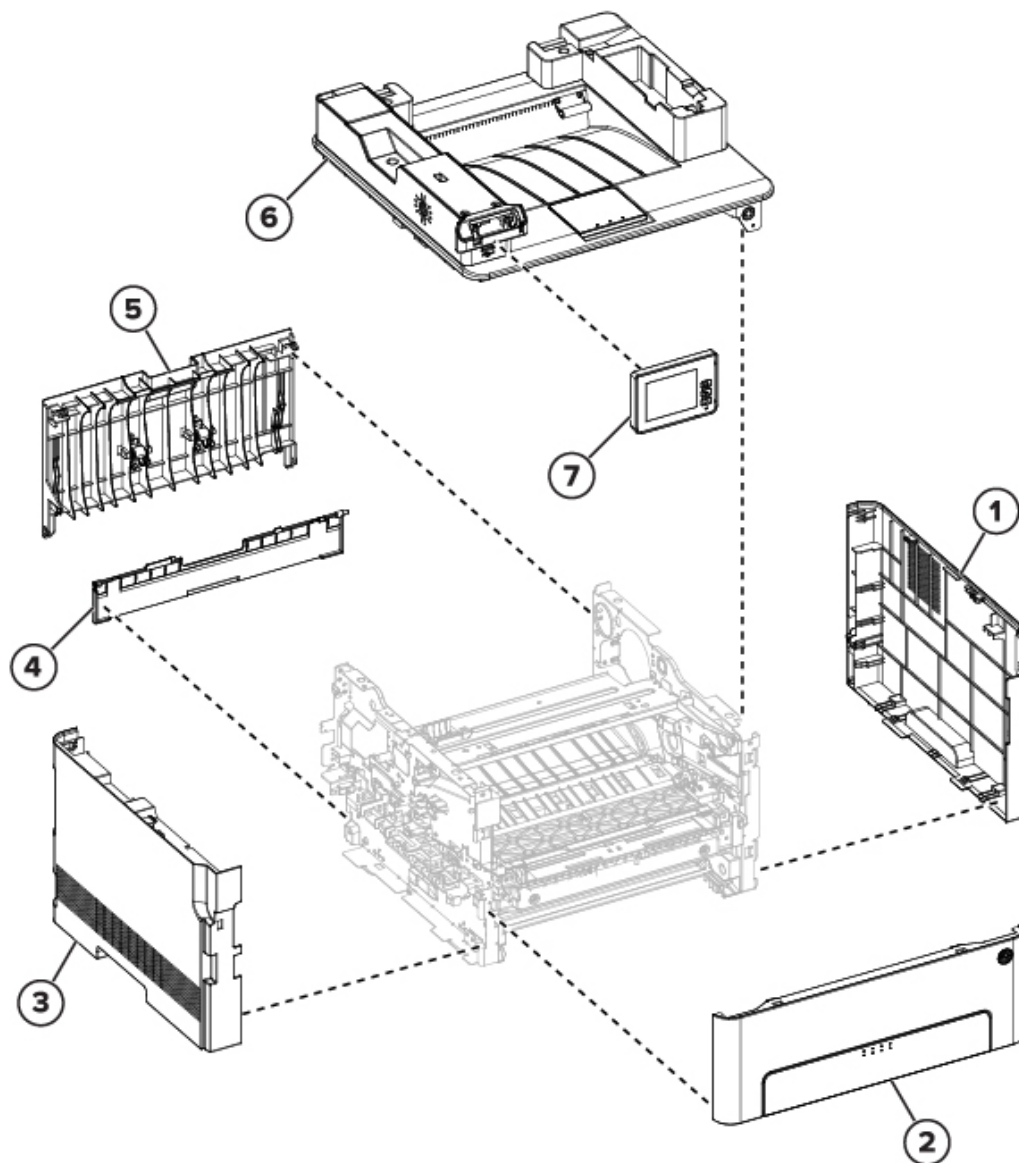


Asm-index	P/N	Units/mach	Units/FRU	Description	Removal procedure
1	002N03388	1	1	Right cover	Right cover removal
2	002N03426	1	1	Front door	Front door removal
3	002N03391	1	1	Left cover	Left Cover Removal

Parts Catalog

Asm-index	P/N	Units/mach	Units/FRU	Description	Removal procedure
4	002N03390	1	1	Bottom rear door	Bottom rear door removal
5	002N03389	1	1	Rear door	Rear door removal
6	002N03401	1	1	Top cover	Top Cover Removal
7	002N03395	1	1	2-line control panel	2-line Control Panel Removal

Assembly 2: Covers (B235)

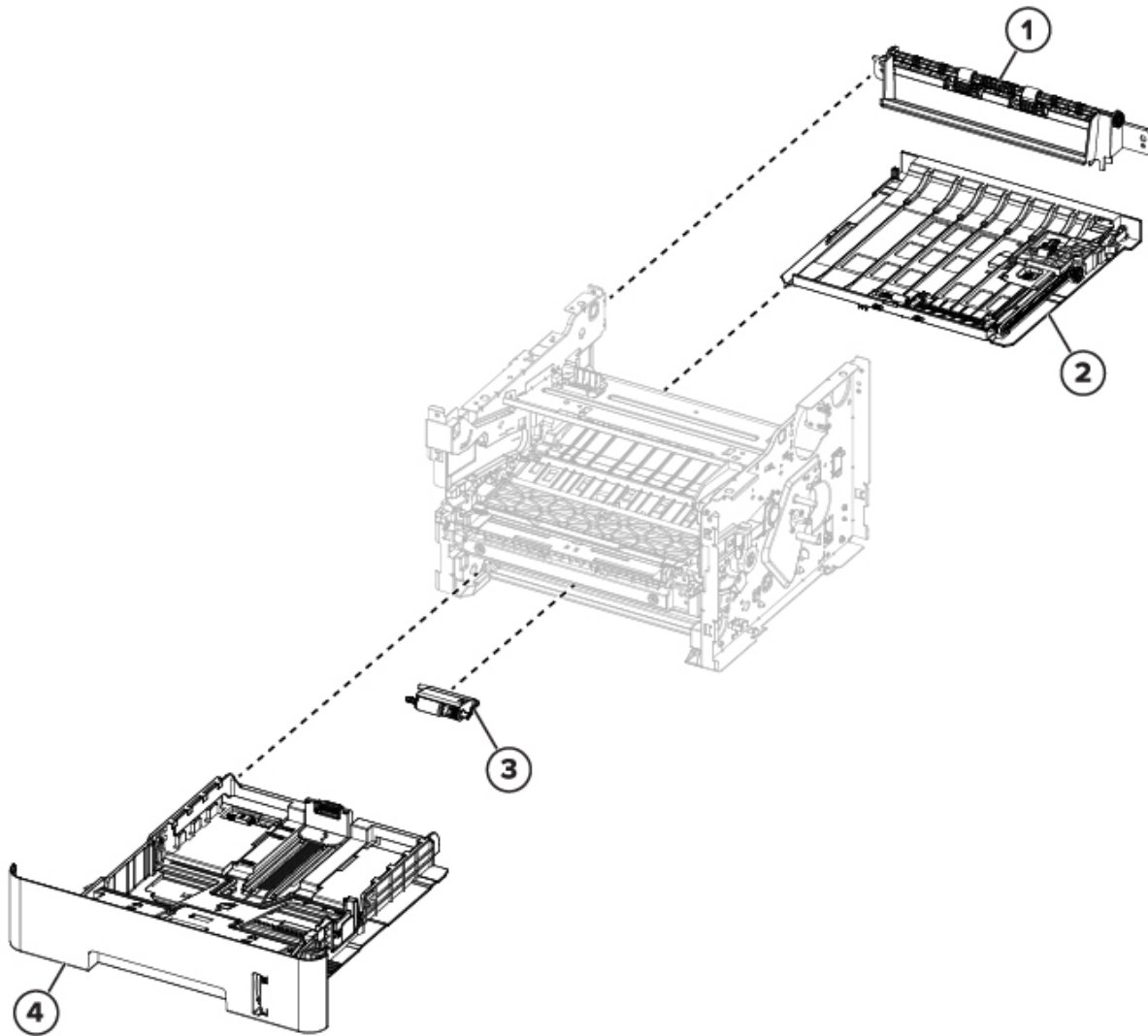


Asm-index	P/N	Units/mach	Units/FRU	Description	Removal procedure
1	002N03388	1	1	Right cover	Right cover removal
2	002N03426	1	1	Front door	Front door removal
3	002N03391	1	1	Left cover	Left Cover Removal

Parts Catalog

Asm-index	P/N	Units/mach	Units/FRU	Description	Removal procedure
4	002N03390	1	1	Bottom rear door	Bottom rear door removal
5	002N03389	1	1	Rear door	Rear door removal
6	002N03402	1	1	Top cover	Top Cover Removal
7	002N03396	1	1	2.8-in. control panel	2.8-in. Control Panel Removal

Assembly 3: Paper Path

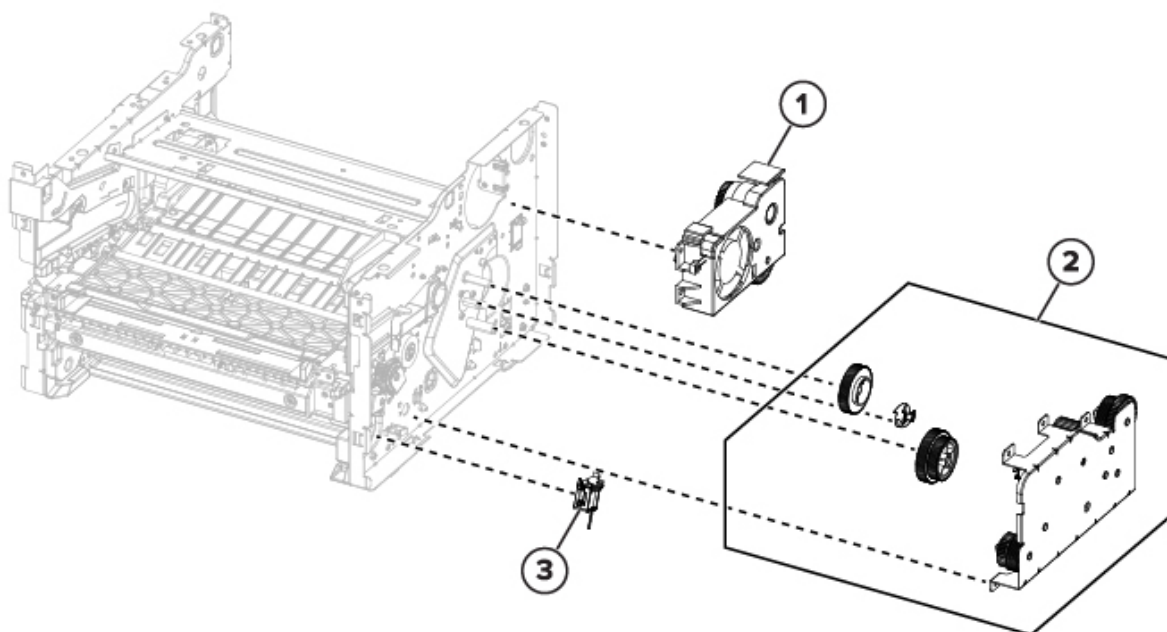


Asm-index	P/N	Units/mach	Units/FRU	Description	Removal procedure
1	007N01856	1	1	Redrive	Redrive removal
2	152N11949	1	1	Duplex unit	Duplex Unit Removal

Parts Catalog

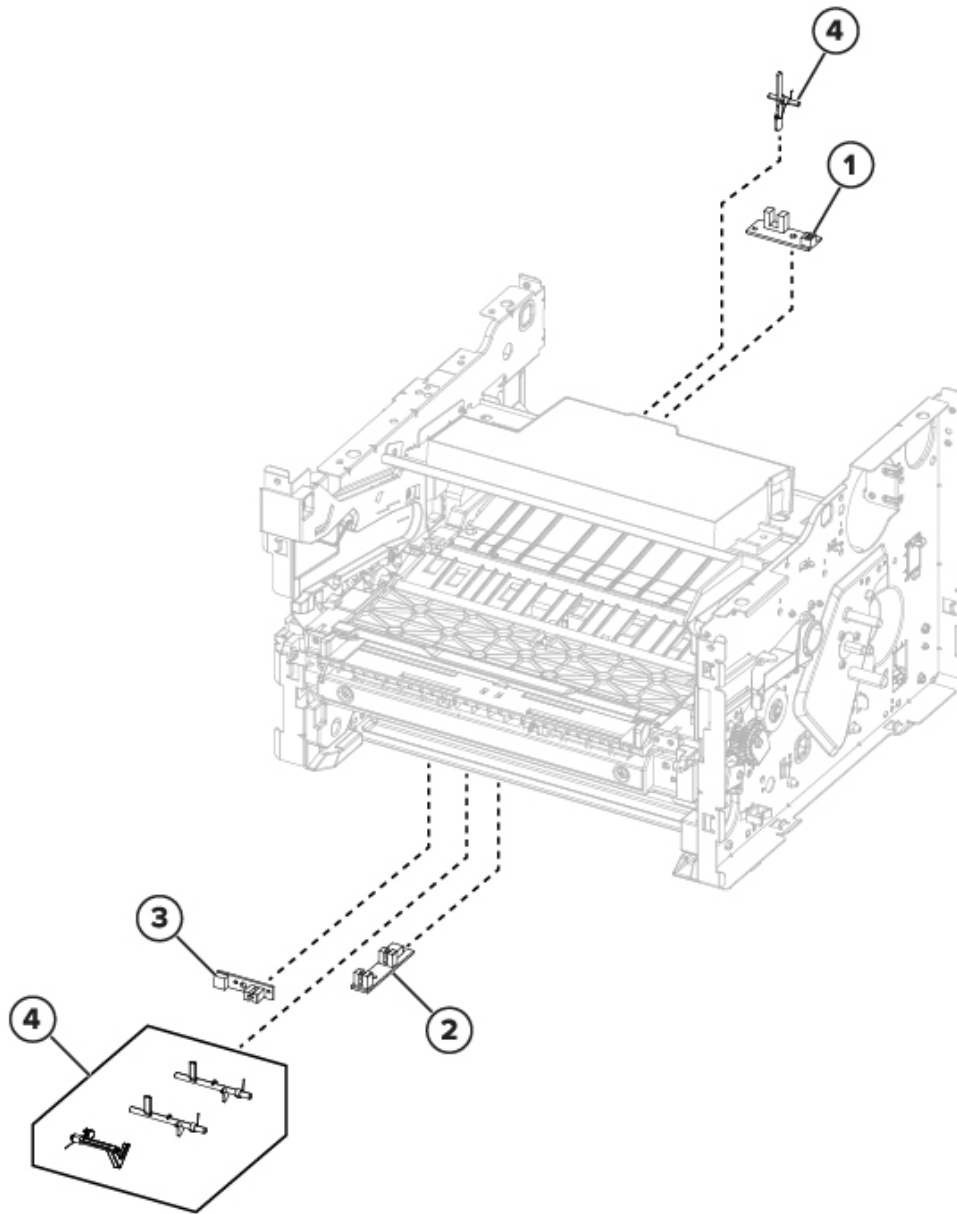
Asm-index	P/N	Units/mach	Units/FRU	Description	Removal procedure
3	022N02900	1	1	Pick roller	Pick rollers removal
4	050N00713	1	1	Tray insert	–

Assembly 4: Drive



Asm-index	P/N	Units/mach	Units/FRU	Description	Removal procedure
1	127N07966	1	1	Fan assembly	Fan assembly removal
2	007N01854	1	1	Main drive	Main drive removal
3	121N01275	1	1	Pick solenoid	Pick solenoid removal

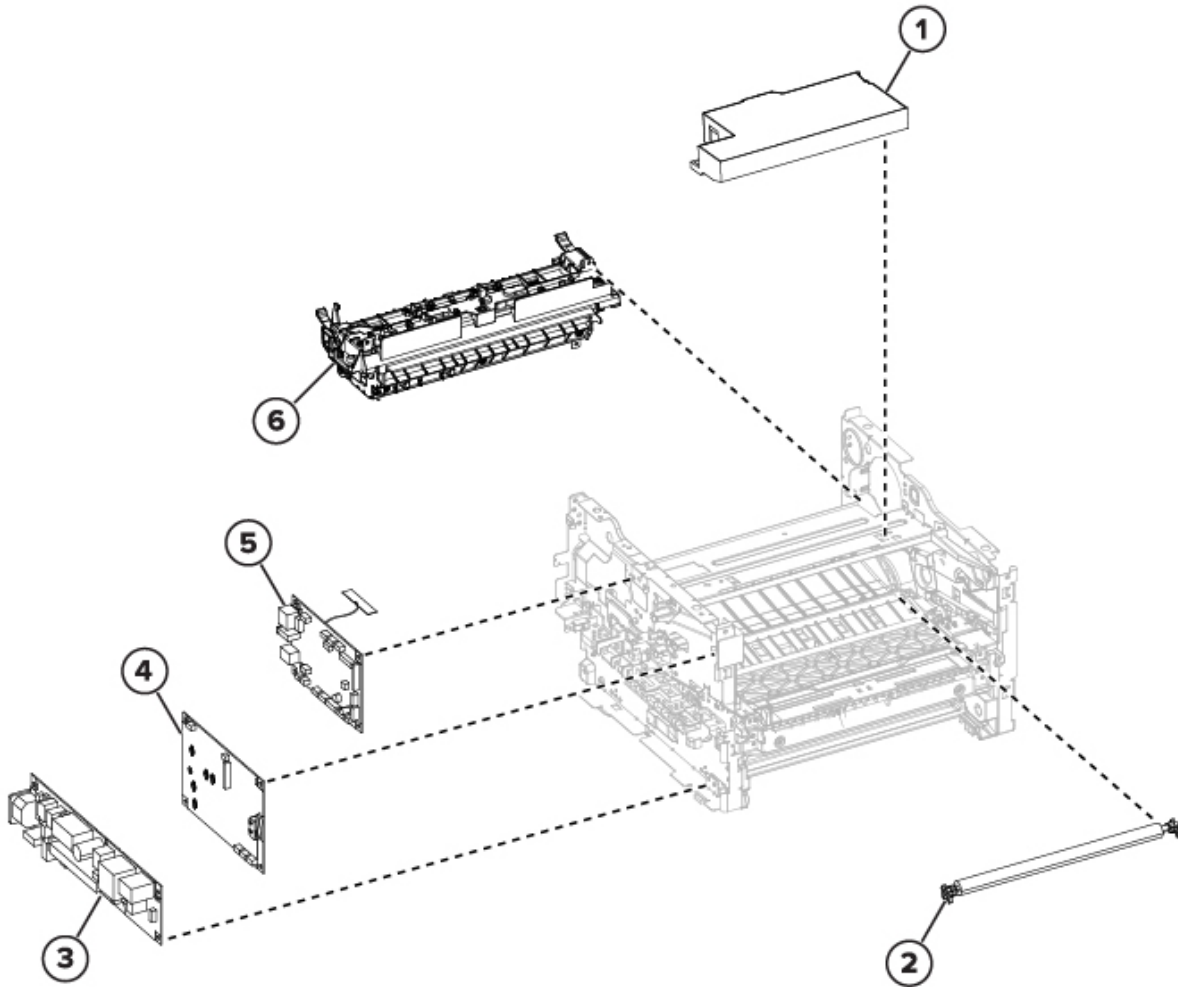
Assembly 5: Sensors



Asm-index	P/N	Units/mach	Units/FRU	Description	Removal procedure
1	130N01907	1	1	Sensor (fuser exit)	Sensor (fuser exit) removal
2	130N01906	1	1	Sensor (staging and input)	Sensor (staging and input) removal

Asm-index	P/N	Units/mach	Units/FRU	Description	Removal procedure
3	130N01905	1	1	Sensor (paper present)	Sensor (paper present) removal
4	130N01908	1	1	Sensor flags	Input Sensor Flags Removal Fuser Exit Flag Removal

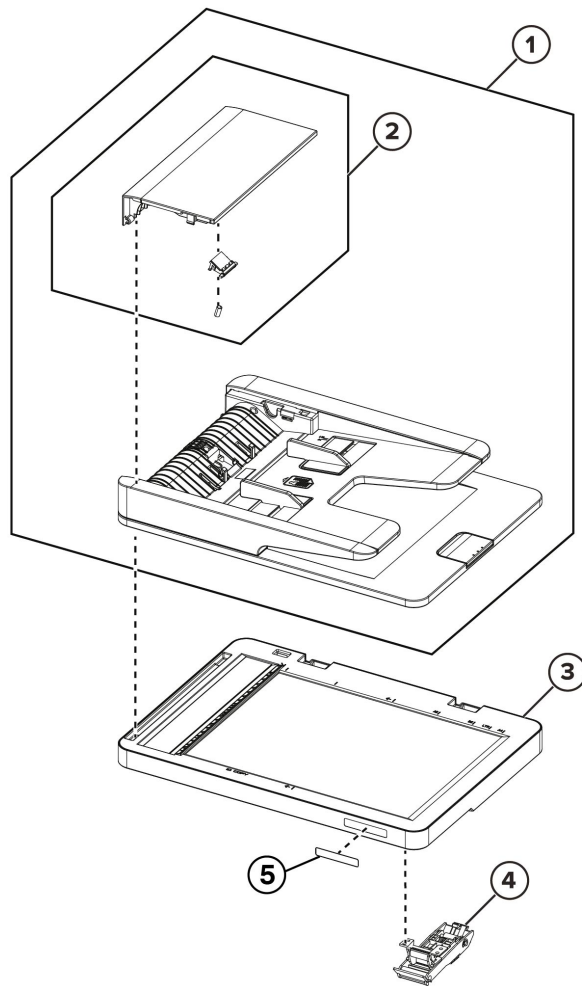
Assembly 6: Electronics



Asm-index	P/N	Units/mach	Units/FRU	Description	Removal procedure
1	046N00244	1	1	Printhead	Printhead removal
2	022N02901	1	1	Transfer roller	Transfer roller removal
3	112N00263	1	1	LVPS, 110 V	LVPS removal

Asm-index	P/N	Units/mach	Units/FRU	Description	Removal procedure
3	112N00264	1	1	LVPS, 220 V	LVPS removal
4	112N00262	1	1	HVPS	HVPS removal
5	109N00873	1	1	Controller board (B225)	Controller board removal
5	109N00862	1	1	Controller board (B235)	Controller board removal
6	126N00454	1	1	Fuser, 110 V	Fuser removal
6	126N00455	1	1	Fuser, 220 V	Fuser removal
NS	117N02196	1	1	Cable kit parts pack	–
NS	002N03394	1	1	Control panel and fax FFC cable	–
NS	117N02197	1	1	Front USB cable	–

Assembly 7: Scanner



Asm-index	P/N	Units/mach	Units/FRU	Description	Removal procedure
1	062N00314	1	1	ADF scanner assembly	ADF Scanner and Flatbed Scanner Removal
2	022N02906	1	1	ADF pick assembly	ADF Pick Assembly Removal
3	109N00850	1	1	Flatbed scanner	ADF Scanner and Flatbed Scanner Removal

Asm-index	P/N	Units/mach	Units/FRU	Description	Removal procedure
4	109N00852	1	1	Scanner stand	Scanner Stand Removal
5	091N80381	1	1	Model badge label kit	

