



FACSIMILE EQUIPMENT

PARTS REFERENCE LIST

MODEL: MFC7420 / 7820N

DCP7010 / 7010L / 7025

**(For Germany / United Kingdom / France /
Belgium / Netherlands / Switzerland /
Ireland / Denmark / Austria / Spain / Italy /
Israel / Portugal / China / Argentina / Chile /
Asia / Korea / India / Russia / Oceania /
Pan-Nordic / Euro Generic)**

© Copyright Brother 2005

All rights reserved

No part of this publication may be reproduced in any form or by any means without permission in writing from the publisher.

Specifications are subject to change without prior notice.

NOTES FOR USING THIS PARTS REFERENCE LIST

1. In the case of ordering parts, it needs mentioning the following items:

- (1) Code
- (2) Q' ty
- (3) Description
- (4) Recommend (The \checkmark mark is attached to recommend parts at this column.)
- (5) Symbol (PCB No., Revision, and Parts location mounted on the PCB.)

Note: Orders without Parts Code or Tool No. cannot be accepted.

[Example]

	(1)	(2)	(3)	(4)	(5)	
REF.NO.	CODE	Q' TY	DESCRIPTION	RECOMMEND	SYMBOL	REMARKS

2. Design-changed parts:

When the parts are changed, any one of the following symbols is mentioned in the REMARKS column.

CHG (chg): The part is changed to a new part.

ADD (add): The part is newly added.

DEL (del): The part is deleted.

Symbol in capital letters indicates that the change is the latest one in the page.

3. Parts change will be informed by the technical information.

COUNTRIES

GERMANY----- GER

UNITED KINGDOM ----- UK

FRANCE ---- FRA

BELGIUM ---- BEL

NETHERLANDS ---- NLD

SWITZERLAND ---- CHE

IRELAND ---- IRE

DENMARK ---- DEN

AUSTRIA ---- AUS

SPAIN ---- SPA

ITALY ---- ITA

ISRAEL----ISR

PORTUGAL ---- POR

CHINA ---- CHN

ARGENTINA ---- ARG

CHILE ---- CHL

ASIA ---- ASA

KOREA ---- KOR

INDIA----IND

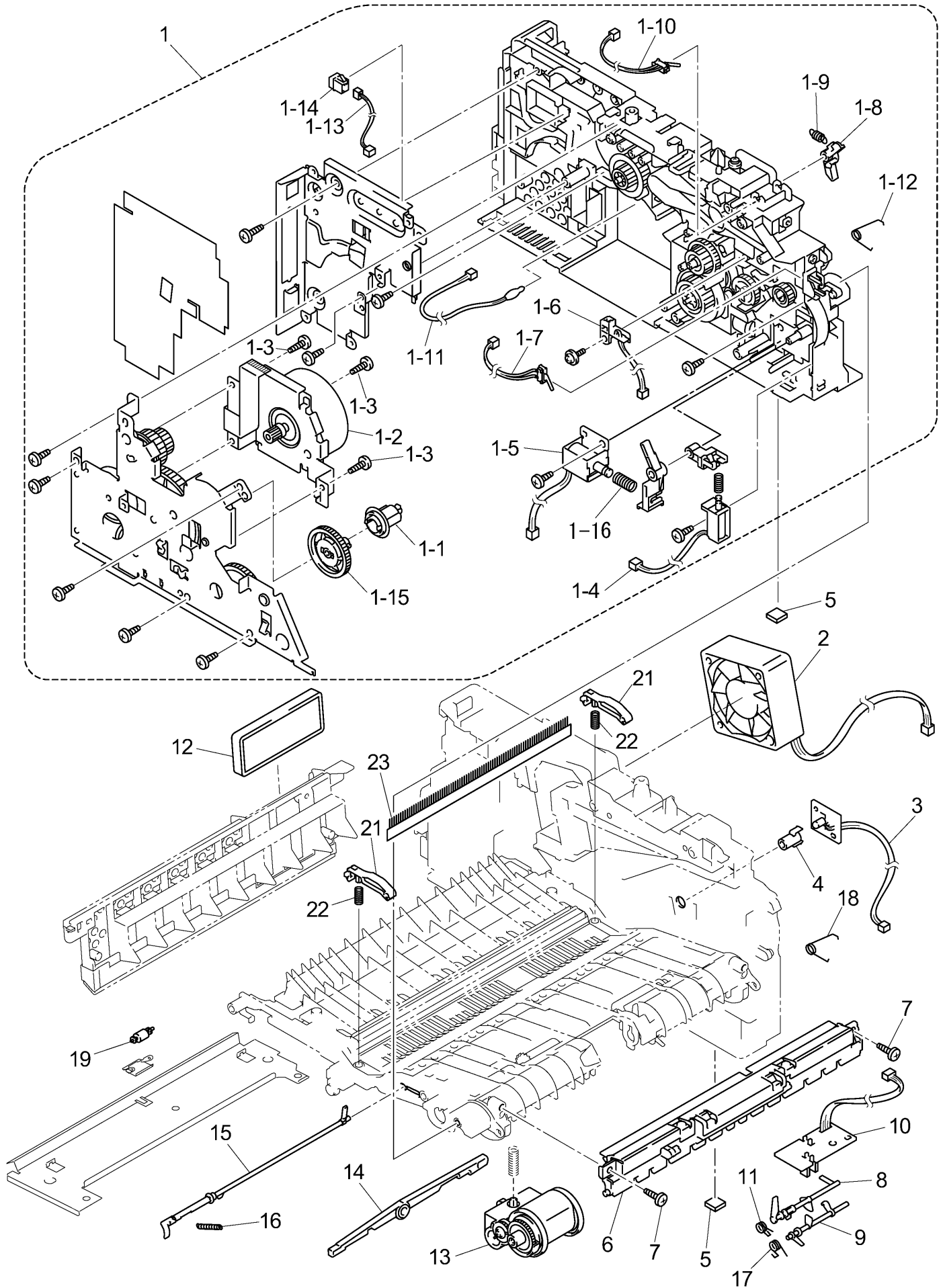
RUSSIA ---- RUS

OCEANIA (ARL & NZ) ---- OCE

PAN NORDIC ---- PND

EURO GENERIC ---- GNR

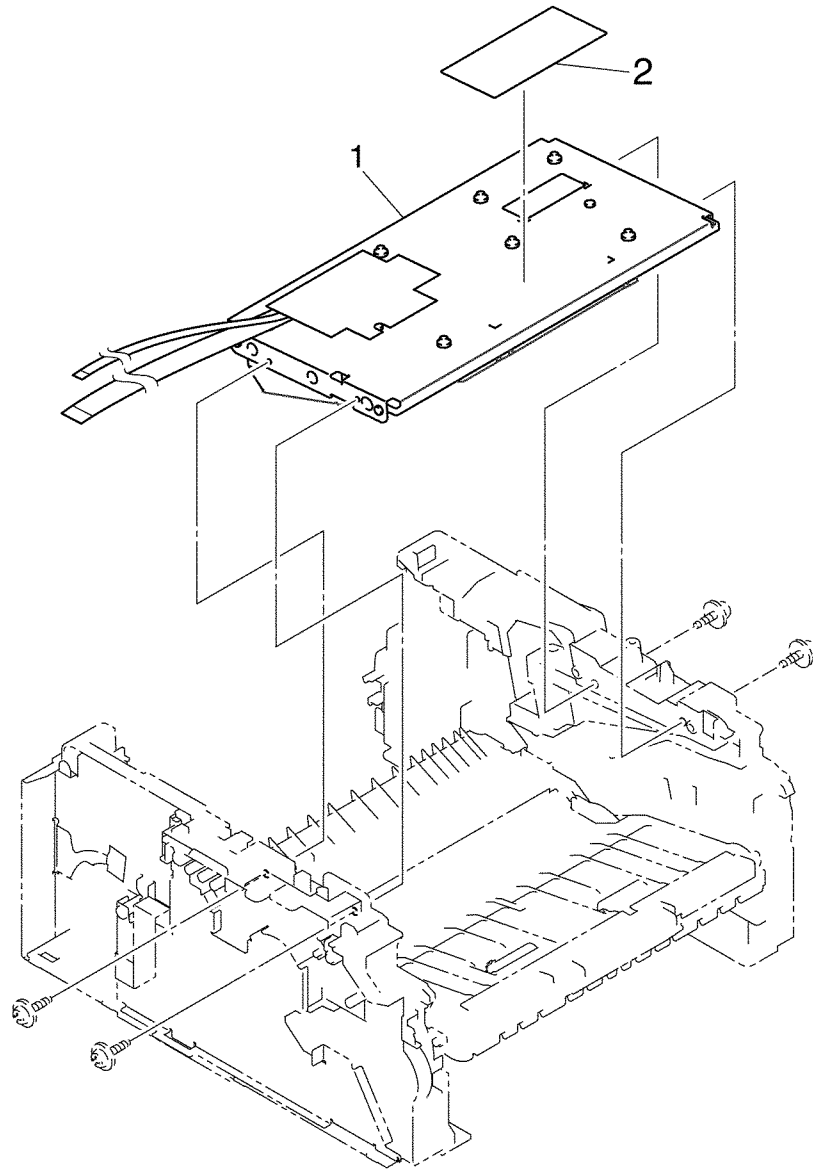
1. FRAMEUNIT



LIST1(FRAME UNIT)

REF No.	CODE	Q'TY	DESCRIPTION	RECOMMEND	REMARKS
4	LF9386004	4	MAIN FRAME L ASSY-S, DCP7010, DCP7025, MFC7420		del
1	LF9602001	1	MAIN FRAME L ASSY-SV, DCP7010, DCP7010L, DCP7025, MFC7420		add
1	LF6128001	1	MAIN FRAME L ASSY, DCP7010, DCP7025, MFC7420		
4	LF9387004	4	MAIN FRAME L ASSY-S, MFC7820N		del
1	LF9600001	1	MAIN FRAME L ASSY-SV, MFC7820N		add
1	LF6246001	1	MAIN FRAME L ASSY, MFC7820N		
1-1	LM4227001	1	DEVELOP JOINT		
1-2	LM4341001	1	MAIN MOTOR ASSY		
1-3	087320616	3	TAPTITE CUP S M3X6		
1-4	LM4238001	1	P/R SOLENOID ASSY		chg
1-5	LM4234001	1	F/R SOLENOID ASSY		chg
1-6	LJ9740001	1	TONER SENSOR PCB ASSY		
1-7	LG5845001	1	COVER SENSOR ASSY		
1-8	LM4260001	1	NEW TONER ACTUATOR		
1-9	LM4261001	1	NEW TONER ACTUATOR SPRING		
1-10	LG5832001	1	NEW TONER SENSOR ASSY		
1-11	LG5834001	1	THERMISTOR ASSY		add
1-12	LM6480001	1	PINCH SPRING L		chg
1-13	LJ9744001	1	THERMISTOR RELAY HARNESS		add
1-13	LM9014001	1	THERMISTOR RELAY HARNESS-S		add
1-14	LJ9745001	1	THERMISTOR HARNESS JOINT		add
1-14	LM9013001	1	THERMISTOR HARNESS JOINT-S		add
1-15	LM4225001	1	DEVELOP DRIVE GEAR		add
1-16	LM4633001	1	SOLENOID RELEASE SPRING ALL		ADD
2	LF6856001	1	FAN MOTOR 60 UNIT		
3	LJ9747001	1	TONER LED PCB ASSY		
4	LM4267001	1	LED HOLDER		
5	LJ7403001	2	RUBBER FOOT		
6	LM4275001	1	SUB CHUTE ASSY		
7	085411216	2	TAPTITE BIND B M4X12		
8	LM4282001	1	REGIST FRONT ACTUATOR		
9	LM4283001	1	TAIL EDGE ACTUATOR		
10	LJ9751001	1	REGIST SENSOR PCB ASSY		
11	LM4285001	1	REGIST FRONT SPRING		
12	LM4570001	1	FILTER ASSY		
13	LM4300001	1	PICKUP ROLLER HOLDER ASSY		
14	LM6482001	1	LINK LEVER		chg
15	LM4284001	1	REGIST REAR ACTUATOR		
16	LM4286001	1	REGIST REAR SPRING		
17	LM4287001	1	TAIL EDGE SPRING		add
18	LM6481001	1	PINCH SPRING R		chg
19	LJ7432001	1	CLEANER PINCH ROLLER ASSY L		add
20	---		N/A		
21	LM4357001	2	TRANSFER ARM		add
22	LM4358001	2	TRANSFER ARM SPRING		add
23	LM4595001	1	ANTI-STATIC BRUSH ALL JPS		add

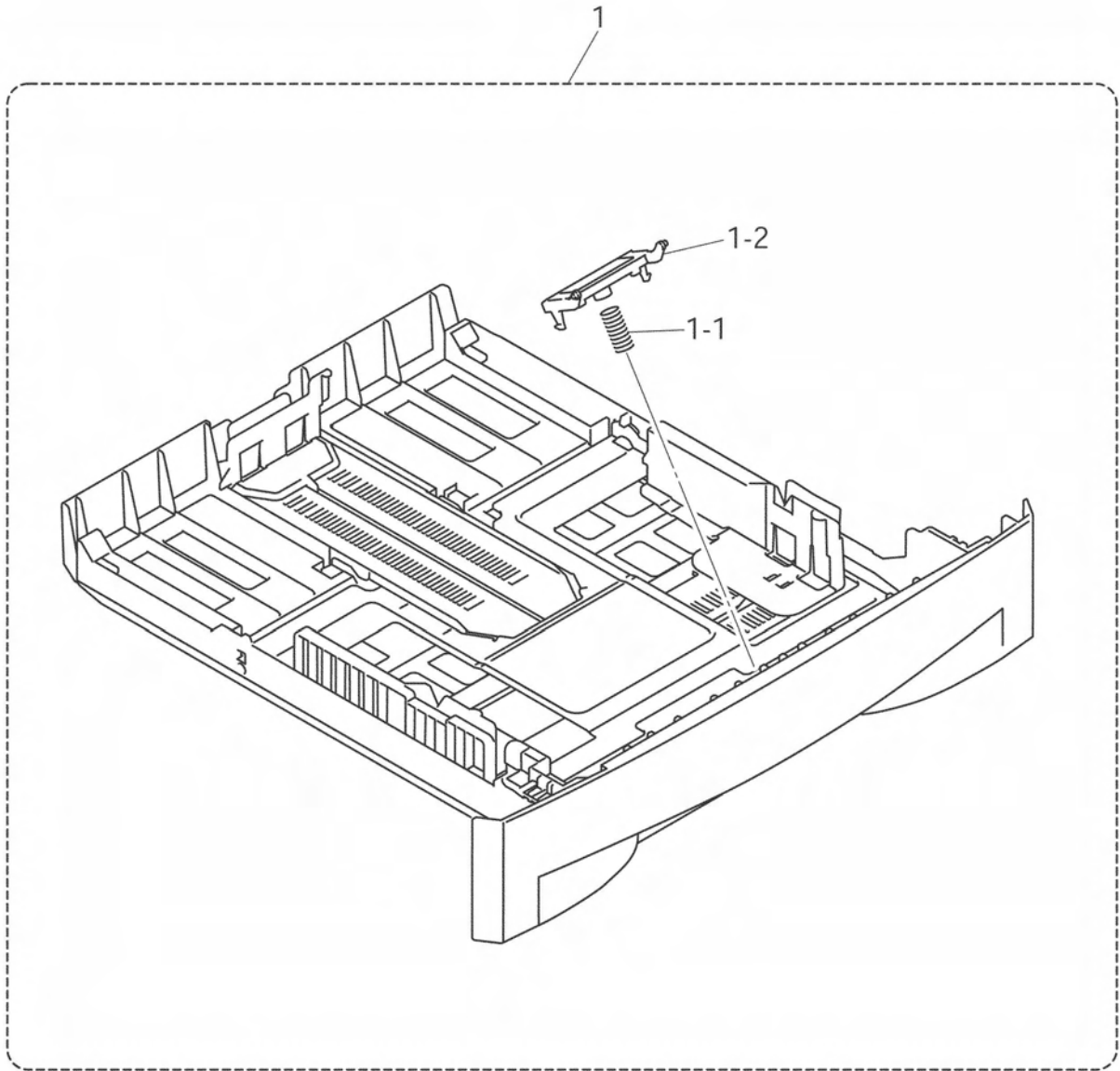
2. LASER UNIT



LIST2(LASER UNIT)

REF No.	CODE	Q'TY	DESCRIPTION	RECOMMEND	REMARKS
1	LM4578001	1	LASER UNIT(SP)		
2	LJ0908001	1	LASER CAUTION LABEL EXCEPT FOR CHN		
2	UL7931001	1	LASER CAUTION LABEL FOR CHN		ADD

3. PAPER TRAY

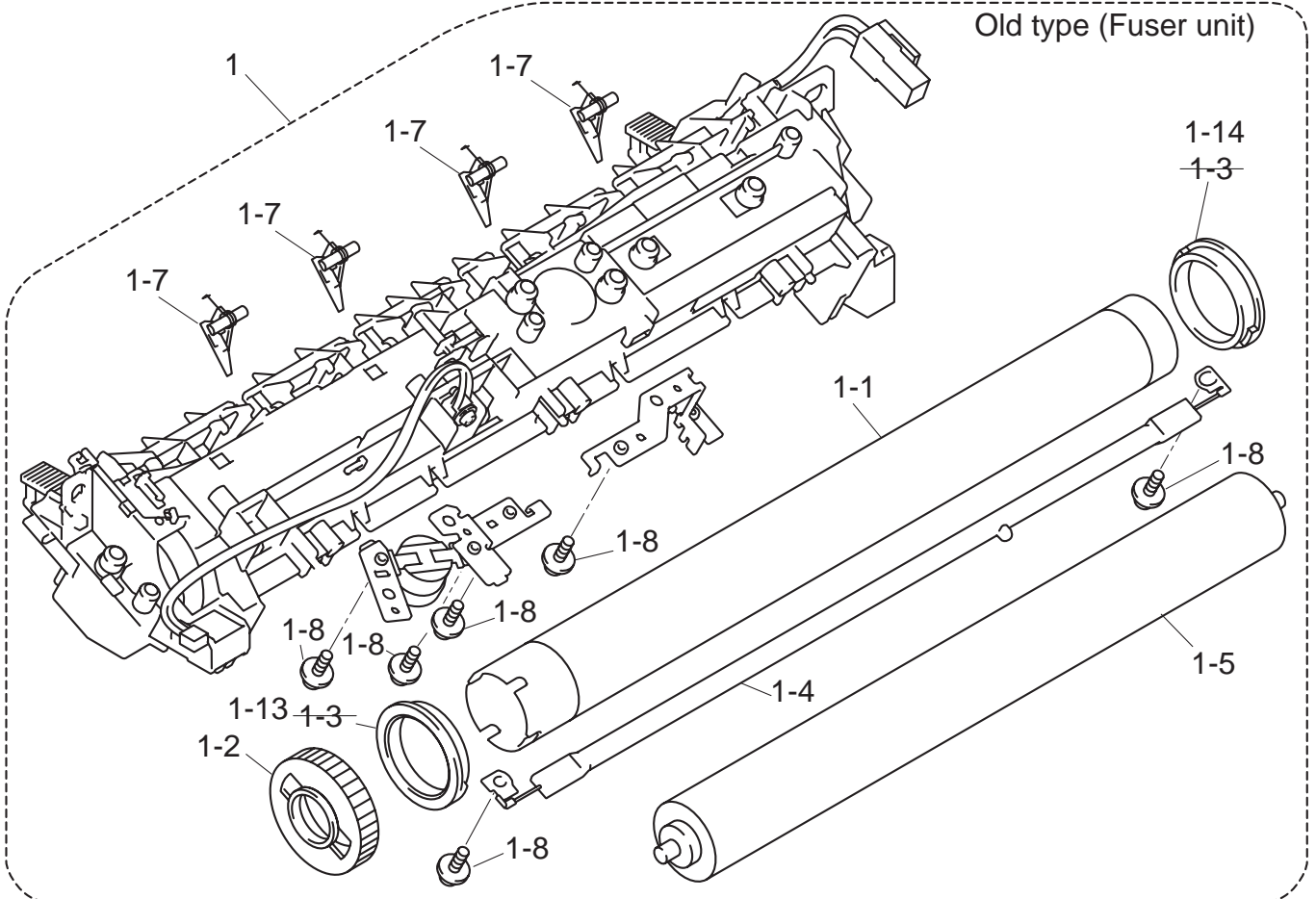


LIST3(PAPER TRAY)

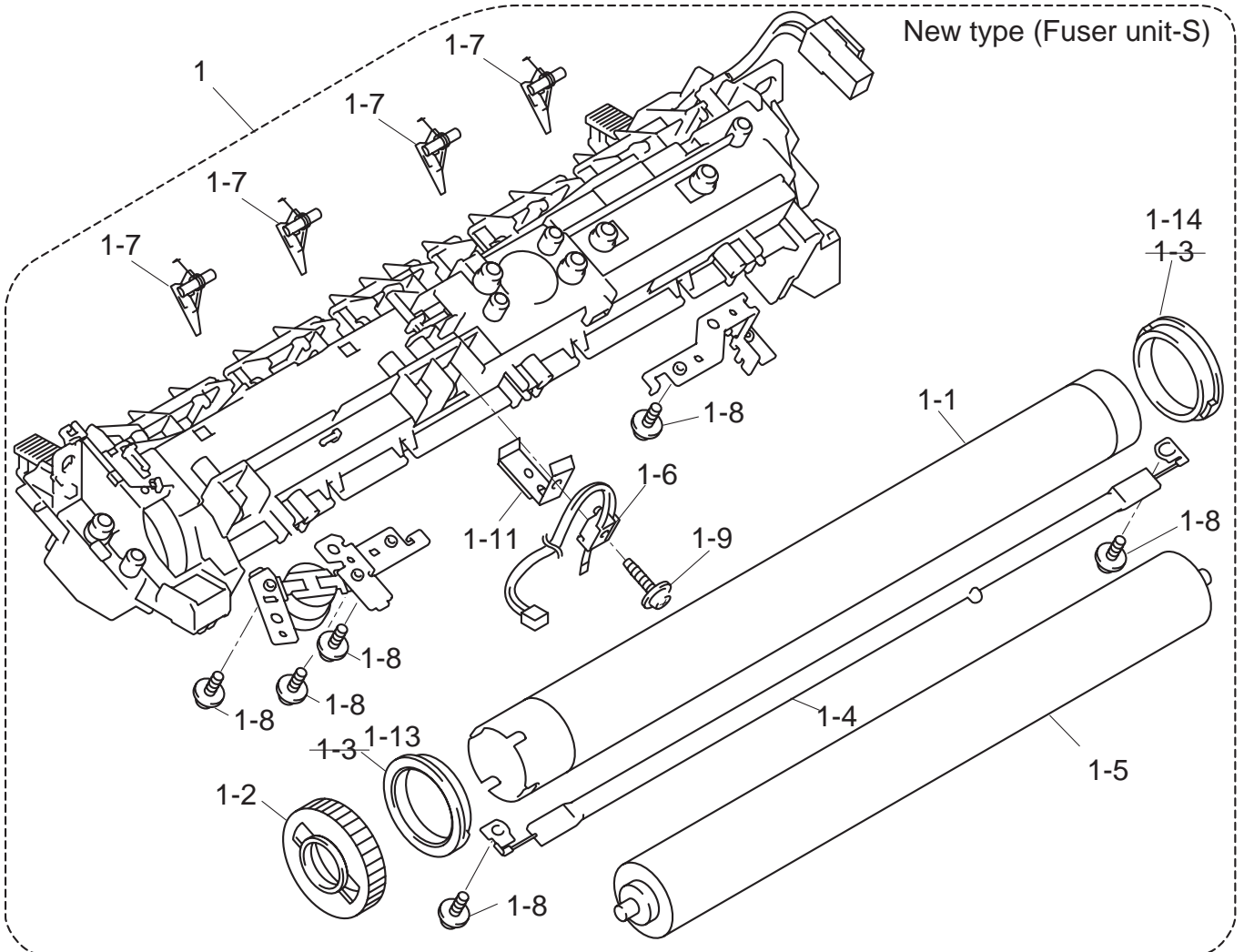
REF No.	CODE	Q'TY	DESCRIPTION	RECOMMEND	REMARKS
1	LM6333001	1	PAPER TRAY ASSY, GRAY(1581), DCP7010/DCP7025/MFC7420 EXCEPT FOR CHN/ARG/CHL/ASA/KOR/IND/OCE		CHG
1	LM6333007	1	PAPER TRAY ASSY, GRAY(1581), DCP7010L		
1	LM6333002	1	PAPER TRAY ASSY, GRAY(1736), MFC7820N EXCEPT FOR ARG/CHL/ASA/KOR/OCE		CHG
1	LM6331001	1	PAPER TRAY ASSY, GRAY(1581), DCP7010/DCP7025/MFC7420 FOR CHN/ARG/CHL/ASA/KOR/IND/OCE		CHG
1	LM6331002	1	PAPER TRAY ASSY, GRAY(1736), MFC7820N FOR ARG/CHL/ASA/KOR/OCE		CHG
1-1	LM4146001	1	SEPARATION PAD SPRING		
1-2	LM4143001	1	SEPARATION PAD HOLDER ASSY		

4. FIXING UNIT

Old type (Fuser unit)



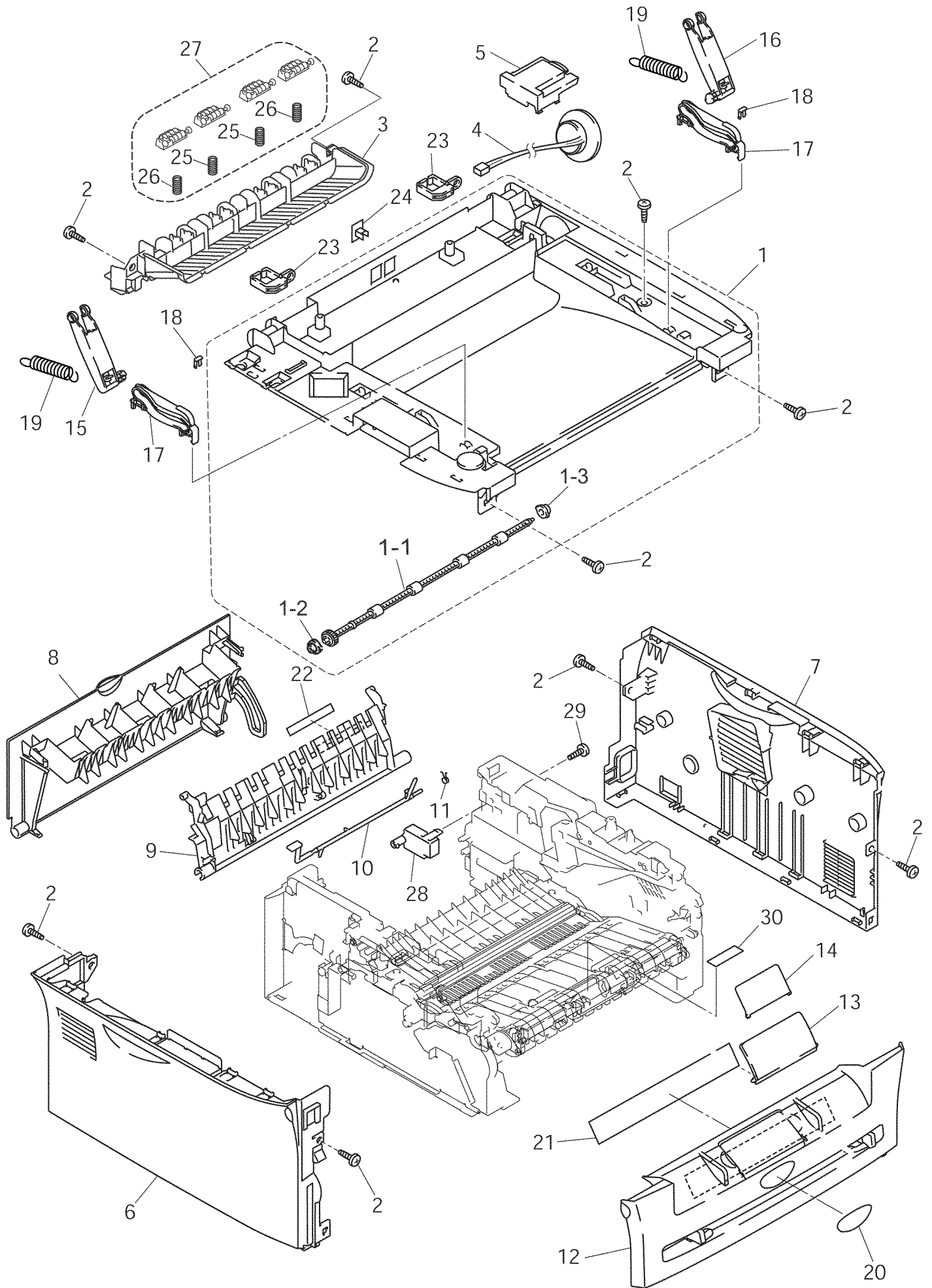
New type (Fuser unit-S)



LIST4(FIXING UNIT)

REF No.	CODE	Q'TY	DESCRIPTION	RECOMMEND	REMARKS
1	LM6723001	1	FUSER UNIT 230V I-10/5 (SP)		CHG
1	LM6724001	1	FUSER UNIT 230V S-10/5 (SP) EXCEPT FOR IND		CHG
1	LM6725001	1	FUSER UNIT 230V S-10/5 (SP) FOR IND		CHG
1-1	LM4009001	1	HEAT ROLLER EXCEPT FOR IND		
1-1	LM6545001	1	HEAT ROLLER FOR IND		add
1-2	LM4010001	1	HR GEAR		
1-3	LM4011001	2	HR BUSH		DEL
1-4	LM4022001	1	HALOGEN HEATER 230V		
1-5	LM4013001	1	PRESSURE ROLLER		
1-6	LM4865001	1	THERMISTOR ASSY-S		chg
1-7	LM4994001	4	SEPARATE CLAW ASSY 10/1		chg
1-8	LM3855001	6	SCREW, PAN (S/P WASHER) M3X8		
1-9	087311216	1	TAPTITE CUP B M3X12		
1-10	LM4997001	4	SEPARATE CLAW ASSY 10/2		del
1-11	LM6305001	1	THERMISTOR CLEANER ASSY2		chg
1-12	087310816	4	TAPTITE CUP B M3X8		del
1-13	LM6735001	1	HR BUSH L		ADD
1-14	LM6736001	1	HR BUSH R		ADD

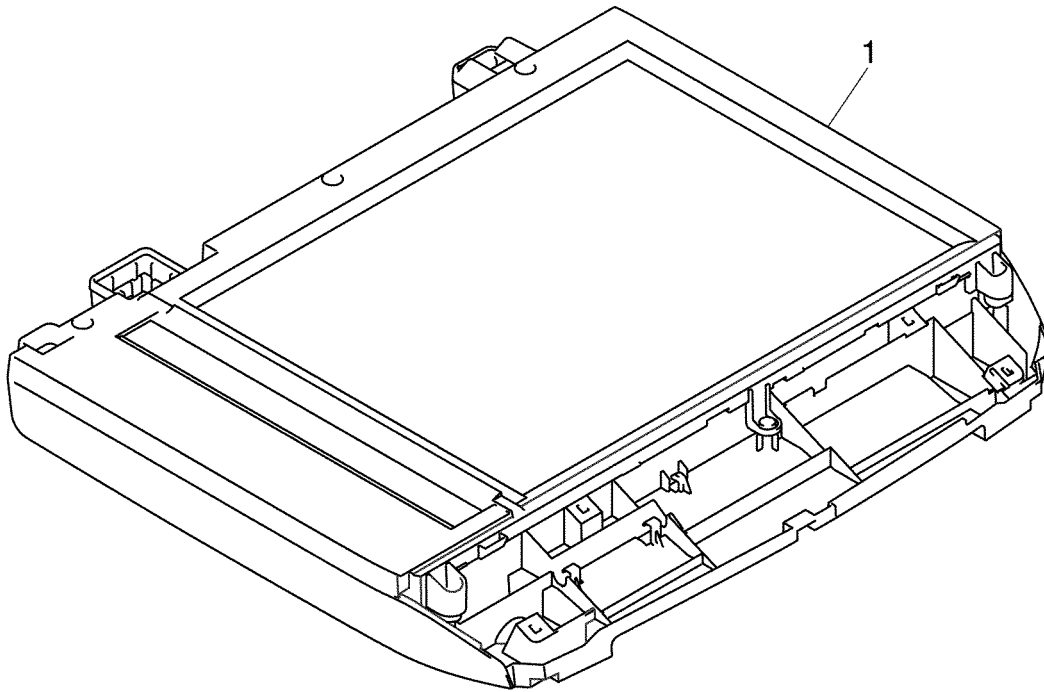
5. COVERS



LIST5(COVERS)

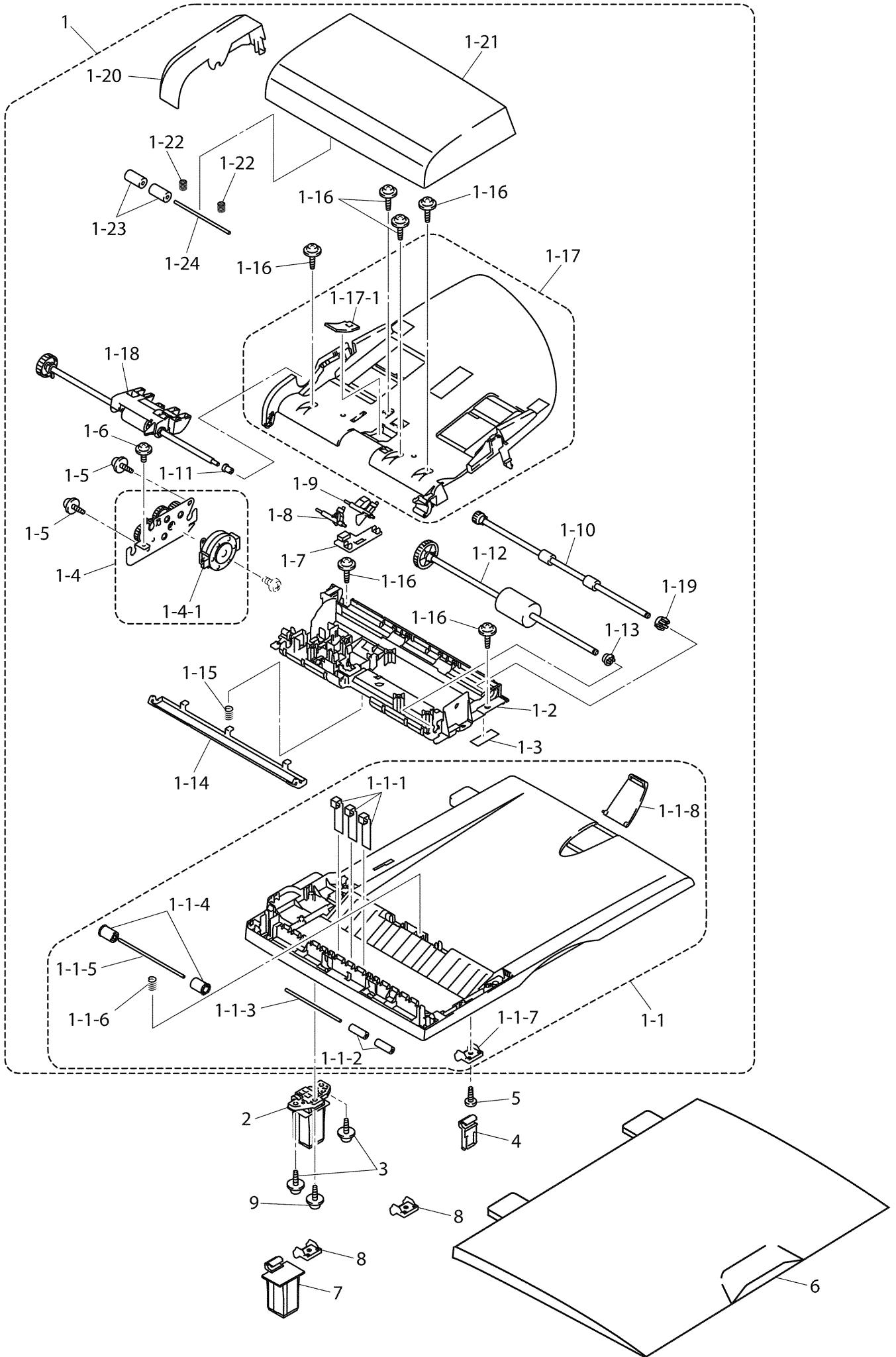
REF No.	CODE	Q'TY	DESCRIPTION	RECOMMEND	REMARKS
1	LF9873001	1	JOINT COVER ASSY, GRAY(1581), DCP7010, DCP7010L, DCP7025		chg
1	LF9871001	1	JOINT COVER ASSY, GRAY(1581), MFC7420		chg
1	LF9871002	1	JOINT COVER ASSY, GRAY(1736), MFC7820N		chg
1-1	LM4105001	1	EJECT ROLLER ASSY		add
1-2	LM4108001	1	BUSH L		ADD
1-3	LM4107001	1	BUSH R		ADD
2	085411216	9	TAPTITE BIND B M4X12		
3	LF6136001	1	INNER CHUTE, GRAY(1581), DCP7010, DCP7010L, DCP7025, MFC7420		
3	LF6136002	1	INNER CHUTE, GRAY(1736), MFC7820N		
4	LG5842001	1	SPEAKER ASSY		
5	LF6630001	1	SPEAKER COVER, GRAY(1581), DCP7010, DCP7010L, DCP7025, MFC7420		
5	LF6630002	1	SPEAKER COVER, GRAY(1736), MFC7820N		
6	LF6137001	1	SIDE COVER L, GRAY(1736), DCP7010, DCP7025, MFC7420		
6	LF6137002	1	SIDE COVER L, GRAY(1581), DCP7010L		
6	LF6248002	1	SIDE COVER L, GRAY(1581), MFC7820N		
7	LF6138001	1	SIDE COVER R, GRAY(1736), DCP7010, DCP7025, MFC7420		
7	LF6138002	1	SIDE COVER R, GRAY(1581), DCP7010L, MFC7820N		
8	LF9412001	1	REAR COVER, GRAY(1736), DCP7010, DCP7025, MFC7420		chg
8	LF9412002	1	REAR COVER, GRAY(1581), DCP7010L, MFC7820N		chg
9	LM4972001	1	REAR CHUTE COVER		chg
10	LM6320001	1	PAPER EJECT ACTUATOR 3		chg
11	LM6309001	1	EJECT ACTUATOR SPRING 3		chg
12	LF6140001	1	FRONT COVER ASSY, GRAY(1581), DCP7010, DCP7010L, DCP7025, MFC7420 EXCEPT FOR CHN/RUS		
12	LF6140002	1	FRONT COVER ASSY, GRAY(1736), MFC7820N EXCEPT FOR RUS		
12	LF9245001	1	FRONT COVER ASSY, GRAY(1581), DCP7010/DCP7025 FOR CHN		add
12	LF9236001	1	FRONT COVER ASSY, GRAY(1581), DCP7010/MFC7420 FOR RUS		add
12	LF9236002	1	FRONT COVER ASSY, GRAY(1736), MFC7820N FOR RUS		add
13	LF6143001	1	PAPER STOPPER L, GRAY(1581), DCP7010, DCP7010L, DCP7025, MFC7420		
13	LF6143002	1	PAPER STOPPER L, GRAY(1736), MFC7820N		
14	LF6144001	1	PAPER STOPPER S, GRAY(1581), DCP7010, DCP7010L, DCP7025, MFC7420		
14	LF6144002	1	PAPER STOPPER S, GRAY(1736), MFC7820N		
15	LF6145001	1	PULL ARM L		
16	LF6146001	1	PULL ARM R		
17	LF6147001	2	PULL ARM GUIDE		
18	LF6148001	2	LOCK CLAW		
19	LF6257001	2	PULL ARM SPRING, DCP7010, DCP7010L		
19	LF6149001	2	PULL ARM SPRING, DCP7025/MFC7420/MFC7820N		
20	LM4162001	1	BROTHER EMBLEM, DCP7010/DCP7025/MFC7420		
20	LM4162004	1	BROTHER EMBLEM, DCP7010L		
20	LM4162002	1	BROTHER EMBLEM, MFC7820N		
21	LP2695001	1	PROCESS U OP LABEL 2		chg
22	LM7050001	1	HEATER CAUTION LABEL 2		chg
23	LF6745001	2	CORD HOOK, MFC7420, MFC7820N		
24	UF5745000	1	MJ COVER, EXT, MFC7420/MFC7820N FOR GER/UK/FRA/BEL/DEN/AUS/ITA/PND/GNR		chg
25	----		N/A		chg
26	----		N/A		chg
27	LM6289001	1	PINCH ROLLER SP ASSY 2 EXCEPT FOR CHN/IND		add
27	LM6598001	1	PINCH ROLLER SP ASSY 3 FOR CHN/IND		add
28	LM4568001	1	REAR COVER STOPPER		add
29	085411216	1	TAPTITE BIND B M4X12		add
30	LU0233001	1	CAUTION LABEL S 13X40		add

6. DOCUMENT SCANNER



LIST6(DOCUMENT SCANNER)

REF No.	CODE	Q'TY	DESCRIPTION	RECOMMEND	REMARKS
1	LP2370001	1	SCANNER UNIT(SP), GRAY(1581), DCP7010, DCP7025, MFC7420		chg
1	LP2370005	1	SCANNER UNIT(SP), GRAY(1581), DCP7010L		CHG
1	LP2370002	1	SCANNER UNIT(SP), GRAY(1736), MFC7820N		chg



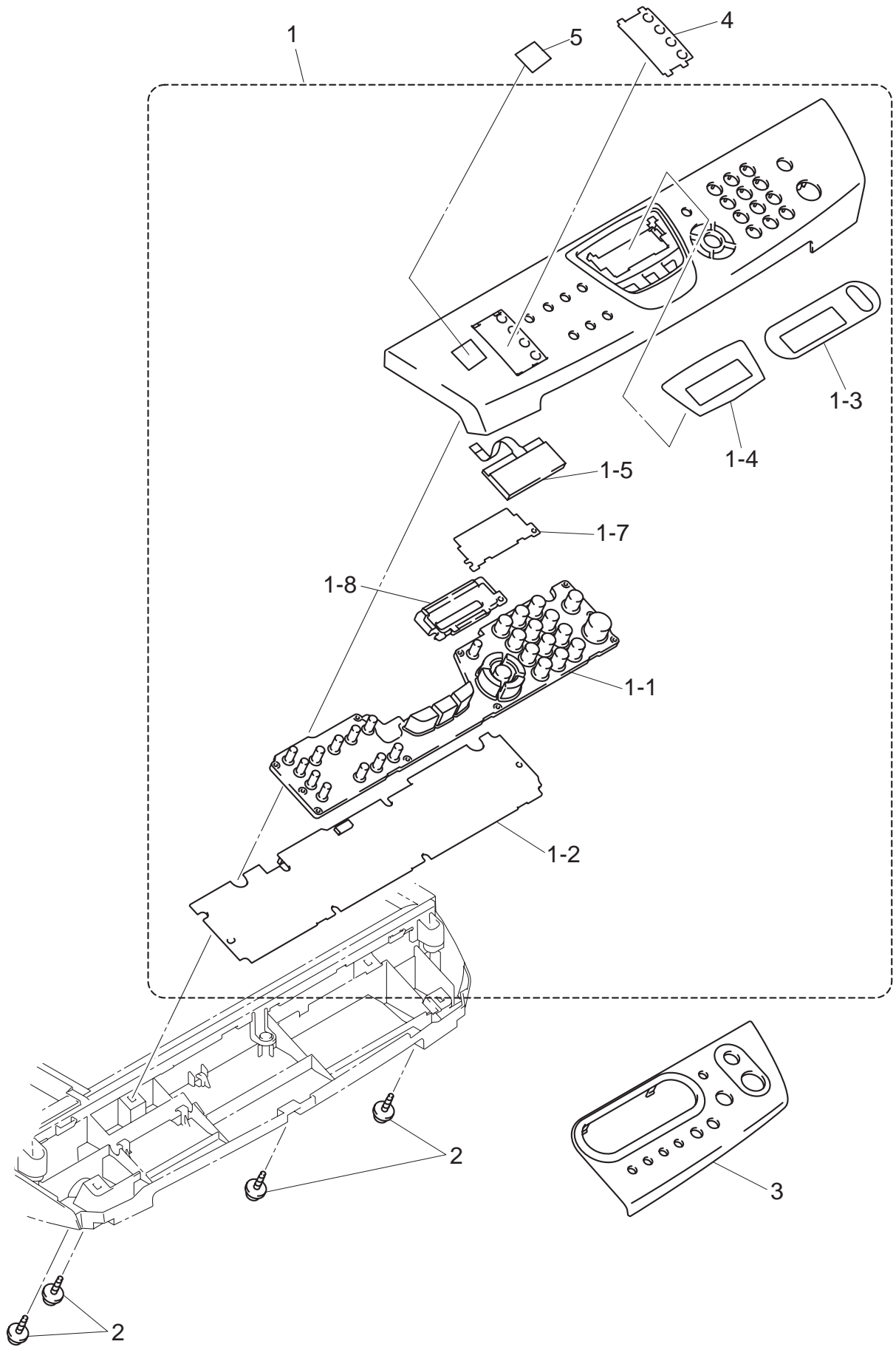
LIST7(ADF)

REF No.	CODE	Q'TY	DESCRIPTION	RECOMMEND	REMARKS
1	LS0936001	1	ADF UNIT (SP), DCP7025, MFC7420 **	√	CHG
1	LS0936002	1	ADF UNIT (SP), MFC7820N **	√	CHG
1-1	LS0265001	1	DOCUMENT COVER SUB ASSY, GRAY(1581), DCP7025, MFC7420 *		chg
1-1	LS0265002	1	DOCUMENT COVER SUB ASSY, GRAY(1736), MFC7820N *		chg
1-1-1	LF6864001	3	PRESSURE ROLLER FILM		
1-1-2	LE9733001	2	PRESSURE ROLLER, DCP7025, MFC7420, MFC7820N		
1-1-3	LE2471001	1	PRESSURE ROLLER SHAFT, DCP7025, MFC7420, MFC7820N		
1-1-4	UL6244002	2	EJECTION ROLLER, DCP7025, MFC7420, MFC7820N		
1-1-5	LE9735001	1	PRESSURE ROLLER SHAFT, DCP7025, MFC7420, MFC7820N		
1-1-6	LE6206001	1	EJECTION SPRING, DCP7025, MFC7420, MFC7820N		
1-1-7	LF6165001	1	HINGE ARM, DCP7025, MFC7420, MFC7820N		
1-1-8	LF6166001	1	DOCUMENT STOPPER, GRAY(1581), DCP7025, MFC7420		
1-1-8	LF6166002	1	DOCUMENT STOPPER, GRAY(1736), MFC7820N		
1-2	LF6168001	1	LOWER DOCUMENT CHUTE, DCP7025, MFC7420, MFC7820N		
1-3	LF6865001	1	LOWER DOCUMENT CHUTE FILM		
1-4	LS0268001	1	DRIVE FRAME ASSY, DCP7025, MFC7420, MFC7820N *		chg
1-4-1	LF6172001	1	ADF MOTOR, DCP7025, MFC7420, MFC7820N		
1-5	087311016	2	TAPTITE CUP B M3X10, DCP7025, MFC7420, MFC7820N		
1-6	087320616	1	TAPTITE CUP S M3X6, DCP7025, MFC7420, MFC7820N		
1-7	LG5847001	1	ADF SENSOR PCB ASSY, DCP7025, MFC7420, MFC7820N		
1-8	LF5217001	1	ACTUATOR, R, DCP7025, MFC7420, MFC7820N		
1-9	LF4967001	1	ACTUATOR, F, DCP7025, MFC7420, MFC7820N		
1-10	LF6577001	1	EJECTION ROLLER ASSY, DCP7025, MFC7420, MFC7820N		
1-11	LF4230001	1	BUSHING, DCP7025, MFC7420, MFC7820N		
1-12	LF6579001	1	LF ROLLER ASSY, DCP7025, MFC7420, MFC7820N		
1-13	UF0026001	1	RESIN BEARING, DCP7025, MFC7420, MFC7820N		
1-14	LF5225001	1	DOCUMENT HOLD, DCP7025, MFC7420, MFC7820N		chg
1-15	LF5226001	1	DOCUMENT HOLD SPRING, DCP7025, MFC7420, MFC7820N		
1-16	087311016	6	TAPTITE CUP B M3X10, DCP7025, MFC7420, MFC7820N		
1-17	LF6173001	1	UPPER DOCUMENT CHUTE ASSY, DCP7025, MFC7420, MFC7820N		
1-17-1	LF7135001	1	SEPARATION RUBBER, DCP7025, MFC7420, MFC7820N		
1-18	LF6582001	1	SEPARATE ROLLER SHAFT ASSY, DCP7025, MFC7420, MFC7820N		
1-19	UF9949001	1	EJECTION ROLLER BEARING, DCP7025, MFC7420, MFC7820N		
1-20	LF6177001	1	GEAR COVER, GRAY(1581), DCP7025, MFC7420		
1-20	LF6177002	1	GEAR COVER, GRAY(1736), MFC7820N		
1-21	LF6179001	1	ADF COVER, GRAY(1581), DCP7025, MFC7420		
1-21	LF6179002	1	ADF COVER, GRAY(1736), MFC7820N		
1-22	LE2472001	2	LF SPRING, DCP7025, MFC7420, MFC7820N		
1-23	UF9009001	2	PRESSER ROLLER, DCP7025, MFC7420, MFC7820N		
1-24	LE2471001	1	PRESSURE ROLLER SHAFT, DCP7025, MFC7420, MFC7820N		
2	LF6846001	1	HINGE L ASSY, DCP7025, MFC7420, MFC7820N		chg
3	087311016	2	TAPTITE CUP B M3X10, DCP7025, MFC7420, MFC7820N		chg
4	LF4976002	1	HINGE		
5	085411216	1	TAPTITE BIND B M4X12, DCP7025, MFC7420, MFC7820N		
6	LF6276001	1	DOCUMENT COVER ASSY, DCP7010, DCP7010L		
7	LF6279001	1	HINGE L, DCP7010, DCP7010L		
8	LF6165001	2	HINGE ARM		
9	087321217	1	TAPTITE CUP S M3X12, DCP7025, MFC7420, MFC7820N * **		add

** The following two parts have to be replaced at the same time.
 (Refer to PCI:1000002132 for details.)
 - ADF UNIT(SP)
 - TAPTITE CUP S M3X12

* The following three parts have to be replaced at the same time.
 (Refer to PCI:1000002132 for details.)
 - DOCUMENT COVER SUB ASSY
 - DRIVE FRAME ASSY
 - TAPTITE CUP S M3X12

8. PANEL



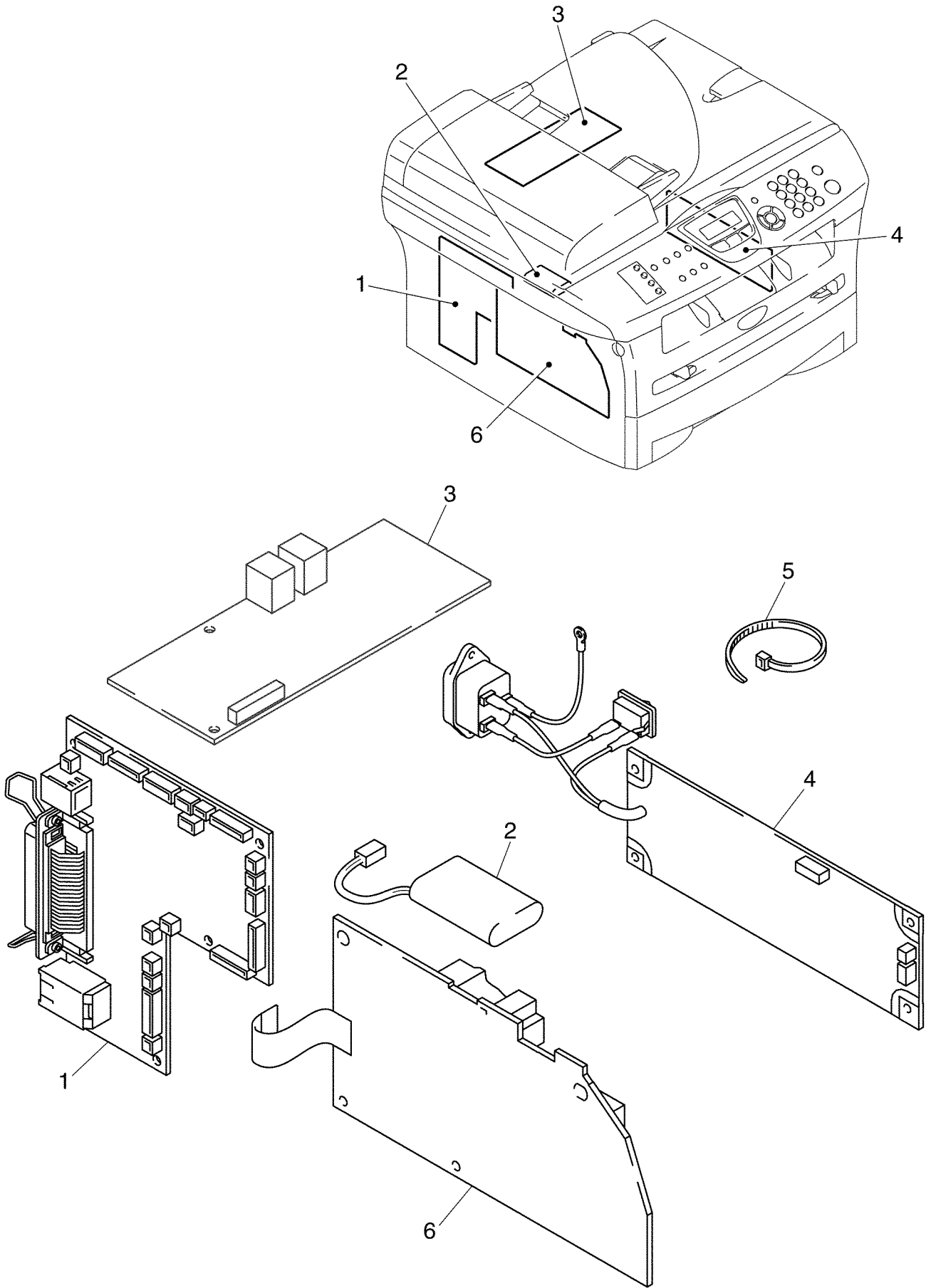
LIST8(PANEL)

REF No.	CODE	Q'TY	DESCRIPTION	RECOMMEND	SYMBOL	REMARKS
1	LF6258001	1	PANEL UNIT, DCP7010 EXCEPT FOR RUS (EXCLUDING PRINTED DCP COVER)			
1	LS0222001	1	PANEL UNIT, DCP7010L			
1	LF6273001	1	PANEL UNIT, DCP7025 (EXCLUDING PRINTED DCP COVER)			
1	LF6810001	1	PANEL UNIT, MFC7420 FOR GER/AUS			
1	LF6919001	1	PANEL UNIT, MFC7820N FOR GER/AUS			
1	LF6242001	1	PANEL UNIT, MFC7420 FOR UK/BEL/CHE/IRE			
1	LF9299001	1	PANEL UNIT, MFC7420 FOR GNR			add
1	LF6252002	1	PANEL UNIT, MFC7820N FOR UK/BEL/CHE/IRE			chg
1	LF9300001	1	PANEL UNIT, MFC7820N FOR GNR			add
1	LF6813001	1	PANEL UNIT, MFC7420 FOR FRA			
1	LF6928001	1	PANEL UNIT, MFC7820N FOR FRA			
1	LF6882001	1	PANEL UNIT, MFC7420 FOR NLD			
1	LF6953001	1	PANEL UNIT, MFC7820N FOR NLD			
1	LF6893001	1	PANEL UNIT, MFC7420 FOR DEN/PND			
1	LF6957001	1	PANEL UNIT, MFC7820N FOR DEN/PND			
1	LF6816001	1	PANEL UNIT, MFC7420 FOR SPA			
1	LF6960001	1	PANEL UNIT, MFC7820N FOR SPA			
1	LF6820001	1	PANEL UNIT, MFC7420 FOR ITA			
1	LF6966001	1	PANEL UNIT, MFC7820N FOR ITA			
1	LF9299001	1	PANEL UNIT, MFC7420 FOR ISR/GNR			add
1	LF9300001	1	PANEL UNIT, MFC7820N FOR ISR/GNR			add
1	LF6824001	1	PANEL UNIT, MFC7420 FOR POR			
1	LF6963001	1	PANEL UNIT, MFC7820N FOR POR			
1	LF9248001	1	PANEL UNIT, MFC7420 FOR CHN			add
1	LF6830001	1	PANEL UNIT, MFC7420 FOR ARG/CHL/ASA/IND/OCE			
1	LF6947001	1	PANEL UNIT, MFC7820N FOR ARG/CHL/ASA/OCE			
1	LF9216001	1	PANEL UNIT, MFC7820N FOR KOR			add
1	LF9239001	1	PANEL UNIT, DCP7010 FOR RUS			add
1	LF9259001	1	PANEL UNIT, MFC7420 FOR RUS			add
1	LF9266001	1	PANEL UNIT, MFC7820N FOR RUS			add
1-1	LF6261001	1	RUBBER KEY, PRINTED, DCP7010, DCP7010L, DCP7025			
1-1	LF6416001	1	RUBBER KEY, PRINTED, MFC7420/MFC7820N FOR GER/AUS			
1-1	LF6184001	1	RUBBER KEY, PRINTED, MFC7420/MFC7820N EXCEPT FOR GER/AUS			
1-2	LG5917001	1	PANEL PCB ASSY, DCP7010, DCP7010L		B53K796	
1-2	LG5917002	1	PANEL PCB ASSY, DCP7025		B53K796	
1-2	LG5114001	1	PANEL PCB ASSY, MFC7420		B53K788	
1-2	LG5114002	1	PANEL PCB ASSY, MFC7820N		B53K788	
1-3	LF6263001	1	LCD SHEET, DCP7010, DCP7025	√		
1-3	LF6263002	1	LCD SHEET PRINTED DCP, DCP7010L	√		
1-4	LF6244001	1	LCD SHEET, MFC7420	√		
1-4	LF6254001	1	LCD SHEET, MFC7820N	√		
1-5	LG5854001	1	LCD, DCP7010, DCP7010L, MFC7420 FOR ISR/RUS/GNR			
1-5	LG6348001	1	LCD, MFC7420 EXCEPT FOR ISR/RUS/GNR			add
1-5	LG5867001	1	LCD, DCP7025, MFC7820N FOR ISR/RUS/GNR			
1-5	LG6347001	1	LCD, MFC7820N EXCEPT FOR ISR/RUS/GNR			add
(1-6)	085310816	2	TAPTITE BIND B M3X8, DCP7010, DCP7010L, DCP7025			
1-7	LF6188001	1	DIFFUSION FILM, DCP7025, MFC7820N			
1-8	LF6189001	1	BACKLIGHT GUIDE, DCP7025, MFC7820N			
2	087311016	4	TAPTITE CUP B M3X10			
3	LF6665001	1	PRINTED DCP COVER, DCP7010/DCP7010L/DCP7025 FOR GER/CHE/GNR <GERMAN>			
3	LF6663001	1	PRINTED DCP COVER, DCP7010 FOR UK/FRA/DEN/ASA/IND/PND/GNR DCP7010L FOR UK/FRA/PND/GNR DCP7025 FOR UK/FRA/DEN/PND/GNR <ENGLISH>			
3	LF6666001	1	PRINTED DCP COVER, DCP7010/DCP7010L/DCP7025 FOR FRA/CHE <FRENCH>			
3	LF6667001	1	PRINTED DCP COVER, DCP7010/DCP7010L/DCP7025 FOR FRA <DUTCH>			
3	LF6670001	1	PRINTED DCP COVER, DCP7010/DCP7010L/DCP7025 FOR SPA <SPANISH>			

LIST8(PANEL)

REF No.	CODE	Q'TY	DESCRIPTION	RECOMMEND	SYMBOL	REMARKS
3	LF6672001	1	PRINTED DCP COVER, DCP7010/DCP7010L/DCP7025 FOR SPA <PORTUGUESE>			
3	LF6675001	1	PRINTED DCP COVER, DCP7010/DCP7010L/DCP7025 FOR ITA <ITALIAN>			
3	LF9215001	1	PRINTED DCP COVER, DCP7010/DCP7025 FOR CHN			add
3	LF9213001	1	PRINTED DCP COVER, DCP7010 FOR KOR			add
3	LF9241001	1	PRINTED DCP COVER, DCP7010/DCP7025 FOR RUS			add
4	LF6190001	1	ADDRESS LABEL, MFC7420, MFC7820N			
5	LU0234001	1	CAUTION LABEL S 30X30			ADD

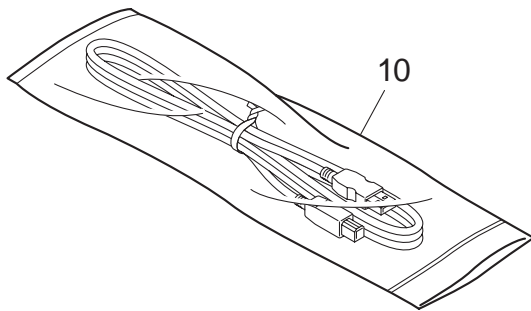
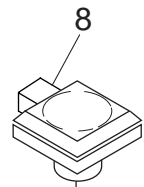
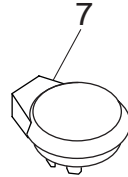
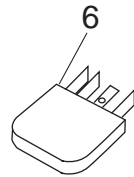
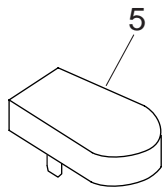
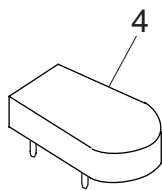
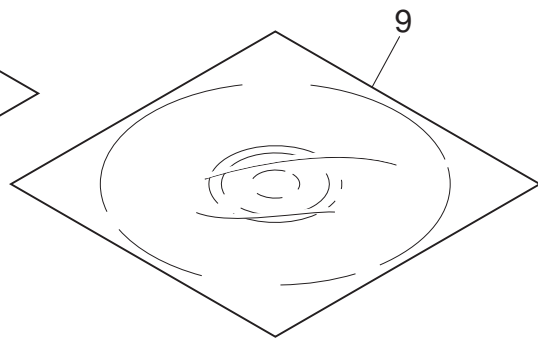
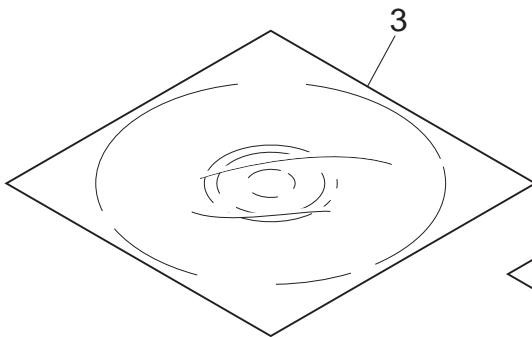
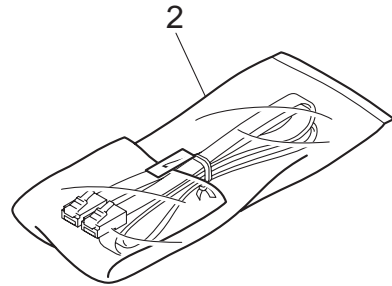
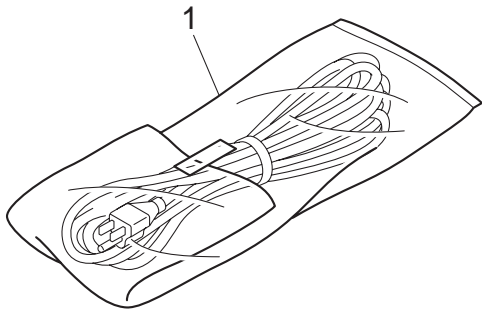
9. PCB



LIST9(PCB)

REF No.	CODE	QTY	DESCRIPTION	RECOMMEND	SYMBOL	REMARKS
1	LG5922014	1	MAIN PCB ASSY, DCP7010 EXCEPT FOR CHN	√	B53K774	
1	LG6432014	1	MAIN PCB ASSY-S, DCP7010 EXCEPT FOR CHN	√	B53K774	add
1	LG6655014	1	MAIN PCB ASSY-SV, DCP7010 EXCEPT FOR CHN/IND, DCP7010L	√	B53K834	add
1	LG5922004	1	MAIN PCB ASSY, DCP7025 EXCEPT FOR CHN	√	B53K774	
1	LG6432004	1	MAIN PCB ASSY-S, DCP7025 EXCEPT FOR CHN	√	B53K774	add
1	LG6655004	1	MAIN PCB ASSY-SV, DCP7025 EXCEPT FOR CHN	√	B53K834	add
1	LG5861004	1	MAIN PCB ASSY, MFC7420 EXCEPT FOR CHN	√	B53K774	
1	LG6431004	1	MAIN PCB ASSY-S, MFC7420 EXCEPT FOR CHN	√	B53K774	add
1	LG6654004	1	MAIN PCB ASSY-SV, MFC7420 EXCEPT FOR CHN	√	B53K834	add
1	LG5918004	1	MAIN PCB ASSY, MFC7820N EXCEPT FOR BEL/NLD/CHE/DEN/RUS/POR/PND/GNR	√	B53K790	
1	LG6430004	1	MAIN PCB ASSY-S, MFC7820N EXCEPT FOR BEL/NLD/CHE/DEN/RUS/POR/PND/GNR	√	B53K790	add
1	LG6798004	1	MAIN PCB ASSY-SV, MFC7820N EXCEPT FOR BEL/NLD/CHE/DEN/ISR/RUS/POR/PND/GNR	√	B53K835	add
1	LG5918014	1	MAIN PCB ASSY, MFC7820N FOR BEL/NLD/CHE/DEN/POR/PND	√	B53K790	add
1	LG6430014	1	MAIN PCB ASSY-S, MFC7820N FOR BEL/NLD/CHE/DEN/POR/PND	√	B53K790	add
1	LG6798014	1	MAIN PCB ASSY-SV, MFC7820N FOR BEL/NLD/CHE/DEN/POR/PND	√	B53K835	add
1	LG5922030	1	MAIN PCB ASSY, DCP7010 FOR CHN	√	B53K774	add
1	LG6432030	1	MAIN PCB ASSY-S, DCP7010 FOR CHN	√	B53K774	add
1	LG6655030	1	MAIN PCB ASSY-SV, DCP7010 FOR CHN/IND	√	B53K834	add
1	LG5922020	1	MAIN PCB ASSY, DCP7025 FOR CHN	√	B53K774	add
1	LG6432020	1	MAIN PCB ASSY-S, DCP7025 FOR CHN	√	B53K774	add
1	LG6655020	1	MAIN PCB ASSY-SV, DCP7025 FOR CHN	√	B53K834	add
1	LG5861020	1	MAIN PCB ASSY, MFC7420 FOR CHN	√	B53K774	add
1	LG6431020	1	MAIN PCB ASSY-S, MFC7420 FOR CHN	√	B53K774	add
1	LG6654020	1	MAIN PCB ASSY-SV, MFC7420 FOR CHN	√	B53K834	add
1	LG5918024	4	MAIN PCB ASSY, MFC7820N FOR RUS/GNR	√	B53K790	del
1	LG6430024	1	MAIN PCB ASSY-S, MFC7820N FOR RUS/GNR	√	B53K790	add
1	LG6798024	1	MAIN PCB ASSY-SV, MFC7820N FOR ISR/RUS/GNR	√	B53K835	add
1	LG5861001	4	MAIN PCB ASSY, MFC7420 FOR ARG/CHL	√	B53K774	del
1	LG5918001	4	MAIN PCB ASSY, MFC7820N FOR ARG/CHL	√	B53K790	del
2	LG5921001	1	BATTERY, MFC7820N			
3	LG5923003	1	NCU PCB ASSY, MFC7420 FOR GER	√	B53K786	
3	LG5923004	1	NCU PCB ASSY, MFC7820N FOR GER	√	B53K786	
3	LG5923001	1	NCU PCB ASSY, MFC7420 FOR UK/FRA/BEL/NLD/IRE/DEN/AUS/SPA/ITA/ISR/POR/RUS/PND/GNR	√	B53K786	
3	LG5923002	1	NCU PCB ASSY, MFC7820N FOR UK/FRA/BEL/NLD/IRE/DEN/AUS/SPA/ITA/ISR/POR/RUS/PND/GNR	√	B53K786	
3	LG5923005	1	NCU PCB ASSY, MFC7420 FOR CHE	√	B53K786	
3	LG5923006	1	NCU PCB ASSY, MFC7820N FOR CHE	√	B53K786	
3	LG5857002	4	NCU PCB ASSY, MFC7420 FOR ARG/CHL	√	B53K784	del
3	LG5925002	4	NCU PCB ASSY, MFC7820N FOR ARG/CHL	√	B53K786	del
3	LG6190001	1	NCU PCB ASSY, MFC7420 FOR CHN/ARG/CHL/ASA/IND	√	B53K786	
3	LG6190002	1	NCU PCB ASSY, MFC7820N FOR ARG/CHL/ASA/KOR	√	B53K786	
3	LG6198001	1	NCU PCB ASSY, MFC7420 FOR OCE	√	B53K786	
3	LG6198002	1	NCU PCB ASSY, MFC7820N FOR OCE	√	B53K786	
4	LG5915001	1	PS PCB UNIT, 230V EXCEPT FOR ARG/CHL/CHN/ASA/IND/RUS			
4	LG6170001	1	PS PCB UNIT, 230V FOR CHN/IND/RUS			CHG
4	LG6200001	1	PS PCB UNIT, 230V FOR ARG/CHL/ASA/KOR			
5	LJ8657001	1	BINDER 2.3X79			
6	LJ9708001	1	HIGH-VOLTAGE PS PCB ASSY			

10. ACCESSORIES



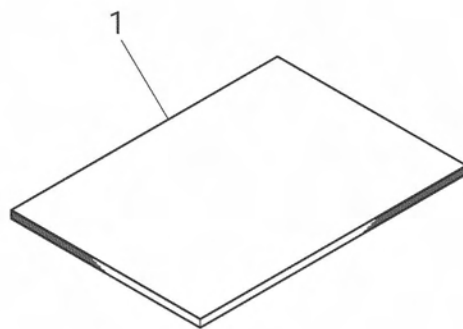
LIST10(Accessories)

REF No.	CODE	Q'TY	DESCRIPTION	RECOMMEND	REMARKS
1	LG4424001	1	AC CORD BAG ASSY LF, VDE FOR GER/FRA/BEL/ NLD/AUS/SPA/ITA/POR/ASA/KOR/IND/RUS/PND/GNR		
1	LG6208001	1	AC CORD BAG ASSY LF, BS/PSB FOR UK/IRE/ASA/IND		chg
1	LG4718001	1	AC CORD BAG ASSY LF, SEV FOR CHE		
1	LG4720001	1	AC CORD BAG ASSY LF, DEMKO FOR DEN/PND		chg
1	LG7005001	1	AC CORD BAG ASSY LF FOR ISR		add
1	LJ9353001	1	AC CORD BAG ASSY LF FOR CHN		add
1	LJ9667001	1	AC CORD BAG ASSY LF, SAA FOR ASA/OCE		
1	LG6199001	1	AC CORD BAG ASSY LF, ARG/CHL FOR ARG/CHL		
1	LG6207001	1	AC CORD BAG ASSY LF, CHILE FOR CHL		
2	UG3625001	1	TELEPHONE LINE CORD FOR GER		
2	UG3626001	1	TELEPHONE LINE CORD FOR UK		
2	UG3627001	1	TELEPHONE LINE CORD FOR FRA		
2	UG1575001	1	TELEPHONE LINE CORD FOR BEL		
2	LG3077001	1	TELEPHONE LINE CORD FOR NLD/IRE/SPA/ISR/ POR/CHN/ARG/CHL/ASA/KOR/IND/RUS/OCE/GNR		
2	LG7202001	1	TELEPHONE LINE CORD FOR CHE		chg
2	LG5827001	1	TELEPHONE LINE CORD FOR DEN/PND		
2	UG4205001	1	TELEPHONE LINE CORD FOR AUS		
2	UG3634001	1	TELEPHONE LINE CORD FOR ITA		
2	UG3290001	1	TELEPHONE LINE CORD FOR OCE		
3	LF6569001	1	CD-ROM ASSY, DCP7010 FOR GER/UK/CHE/ASA/KOR/IND/GNR		
3	LF9096001	1	CD-ROM ASSY, DCP7010L FOR GER/UK/CHE/GNR <Windows>		chg
3	LF6654001	1	CD-ROM ASSY, DCP7025 FOR GER/UK/CHE/GNR <Windows>		
3	LF6586001	1	CD-ROM ASSY, MFC7420/MFC7820N FOR GER/UK/FRA/CHE/IRE/AUS/ASA/KOR/IND/OCE <Windows>		
3	LF6580001	1	CD-ROM ASSY, DCP7010/DCP7010L FOR FRA/PND <Windows>		
3	LF6725001	1	CD-ROM ASSY, DCP7025 FOR FRA/PND <Windows>		
3	LF6590001	1	CD-ROM ASSY, MFC7420/MFC7820N FOR BEL/NLD/PND <Windows>		
3	LF6726001	1	CD-ROM ASSY, DCP7025 FOR DEN/PND <Windows>		
3	LF6591001	1	CD-ROM ASSY, MFC7420/MFC7820N FOR DEN/PND <Windows>		
3	LF6583001	1	CD-ROM ASSY, DCP7010 FOR DEN/PND DCP7010L FOR PND <Windows>		
3	LF6588001	1	CD-ROM ASSY, DCP7010/DCP7010L FOR CHE/SPA/ITA <Windows>		chg
3	LF6601001	1	CD-ROM ASSY, DCP7025 FOR SPA/ITA <Windows>		
3	LF6587001	1	CD-ROM ASSY, MFC7420/MFC7820N FOR SPA/ITA/POR/ARG/CHL <Windows>		
3	LF6644001	1	CD-ROM ASSY, DCP7010/DCP7025 FOR CHN <Windows> <Macintosh>		add
3	LF6648001	1	CD-ROM ASSY, MFC7420 FOR CHN <Windows>		add
3	LF6639001	1	CD-ROM ASSY, DCP7010 FOR RUS <Windows>		add
3	LF6595001	1	CD-ROM ASSY, MFC7420/MFC7820N FOR RUS <Windows>		add
3	LF6593001	1	CD-ROM ASSY, MFC7420/MFC7820N FOR ISR/GNR <Windows>		
3	LF6649001	4	CD-ROM ASSY, DCP7010 FOR GER/UK/FRA/CHE/SPA/ITA/ASA/KOR, DCP7025 FOR GER/UK/FRA/CHE/SPA/ITA/GNR <Macintosh>		del
3	LF6977001	4	CD-ROM ASSY, MFC7420/MFC7820N FOR GER/UK/FRA/CHE/IRE/AUS/SPA/ITA/POR/ARG/CHL/ASA/ IND/KOR/OCE <Macintosh>		del
3	LF6978001	1	CD-ROM ASSY, MFC7420/MFC7820N FOR GER/UK/FRA/BEL/NLD/CHE/IRE/DEN/AUS/SPA/ITA/ISR/ POR/ARG/CHL/ASA/IND/KOR/RUS/PND/OCE/GNR <Macintosh>		chg
3	LF6976001	4	CD-ROM ASSY, DCP7010 FOR DEN/RUS/PND/GNR, DCP7025 FOR DEN/PND <Macintosh>		del
3	LP2236001	1	CD-ROM ASSY, DCP7025 FOR RUS <Windows>		add
3	LP2237001	1	CD-ROM ASSY, DCP7010/DCP7010L/DCP7025 EXCEPT FOR CHN <Macintosh>		add
4	LG3622001	1	TELEPHONE PLUG FOR NLD		
5	LG5828001	1	TELEPHONE PLUG FOR DEN/PND <DANISH>		
6	LG3509001	1	TELEPHONE PLUG FOR OCE <AUSTRALIAN>		
7	LG5830001	1	TELEPHONE PLUG FOR PND <SWEDISH>		

LIST10(Accessories)

REF No.	CODE	Q'TY	DESCRIPTION	RECOMMEND	REMARKS
8	LG5829001	1	TELEPHONE PLUG FOR PND <FINNISH>		
9	LS0463001	1	CD-ROM ASSY VISTA, DCP7010/7010L/7025/MFC7420/7820N FOR		CHG
9	LS0464001	1	GER/UK/FRA/CHE/IRE/AUS/ASA/KOR/IND/OCE CD-ROM ASSY VISTA, DCP7010L/7025/MFC7420/7820N		CHG
9	LS0465001	1	FOR CHE/SPA/ITA/POR/ARG/CHL CD-ROM ASSY VISTA, DCP7010L/7025/MFC7420/7820N		CHG
9	LS0466001	1	FOR FRA/BEL/NLD/PND CD-ROM ASSY VISTA,		CHG
9	LS0467001	1	DCP7010/7010L/7025/MFC7420/7820N FOR DEN/PND CD-ROM ASSY VISTA, MFC7420/7820N FOR ISR		CHG
9	LS0468001	1	CD-ROM ASSY VISTA, DCP7010/7025/MFC7420 FOR CHN		CHG
9	LS0470001	1	CD-ROM ASSY VISTA, DCP7010R/7025R/MFC7420R/7820NR FOR RUS		CHG
10	LJ9803001	1	USB CABLE 2.0 FOR CHN		add

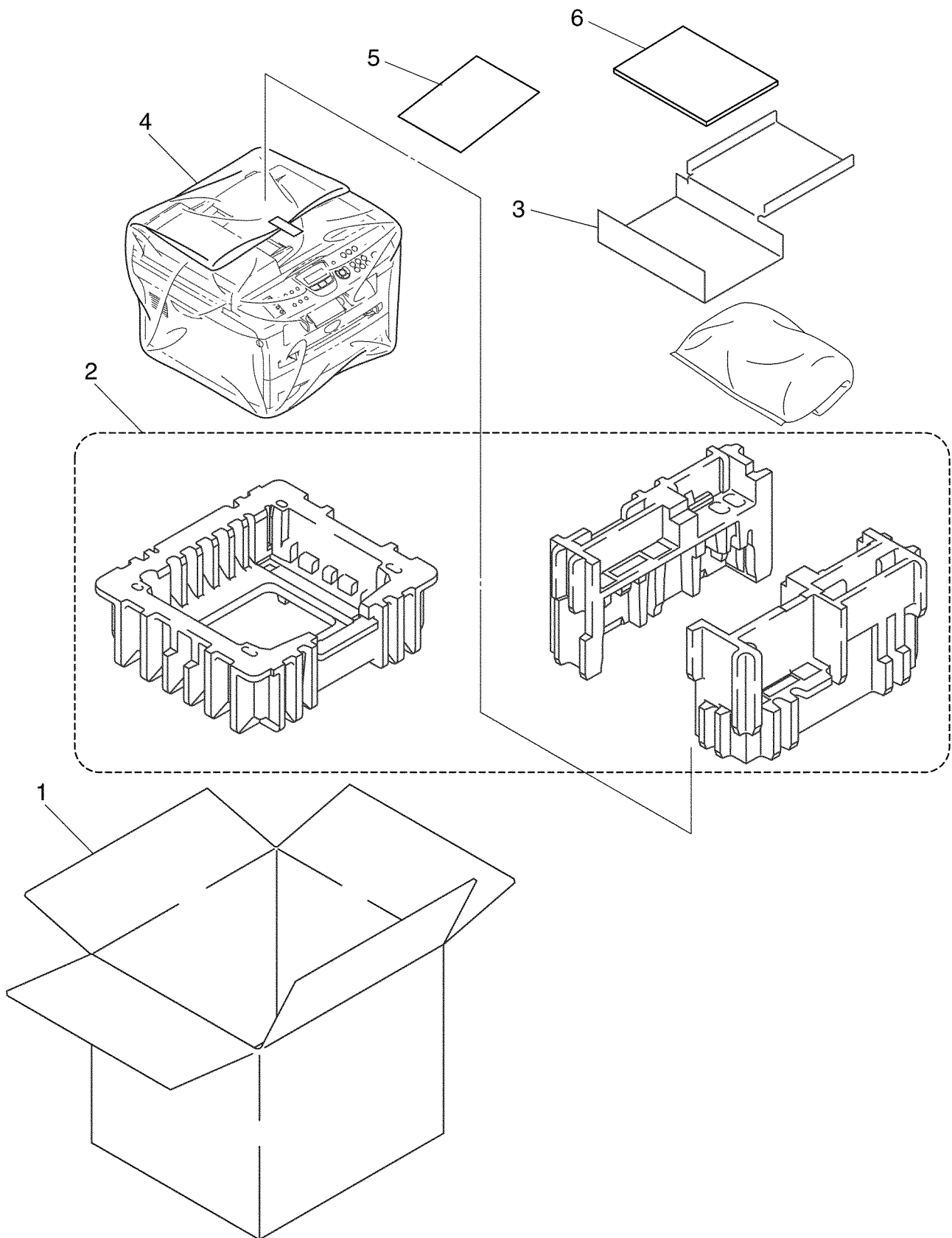
11. PRINTED MATERIALS



LIST11(PRINTED MATERIALS)

REF No.	CODE	Q'TY	DESCRIPTION	RECOMMEND	REMARKS
1	LF6530003	1	USER'S GUIDE, MFC7420/MFC7820N FOR GER/AUS		
1	LF6530004	1	USER'S GUIDE, MFC7420/MFC7820N FOR UK/IRE		
1	LF6530005	1	USER'S GUIDE, MFC7420/MFC7820N FOR FRA		
1	LF6530008	1	USER'S GUIDE, MFC7420/MFC7820N FOR BEL <DUTCH>		
1	LF6879001	1	USER'S GUIDE, MFC7420/MFC7820N FOR BEL/CHE <FRENCH>		
1	LF6530009	1	USER'S GUIDE, MFC7420/MFC7820N FOR NLD		
1	LF6530010	1	USER'S GUIDE, MFC7420/MFC7820N FOR CHE		
1	LF6896001	1	USER'S GUIDE, MFC7420/MFC7820N FOR DEN		
1	LF6530015	1	USER'S GUIDE, MFC7420/MFC7820N FOR SPA		
1	LF6530016	1	USER'S GUIDE, MFC7420/MFC7820N FOR ITA		
1	LF6530018	1	USER'S GUIDE, MFC7420/MFC7820N FOR POR		
1	LF6530020	1	USER'S GUIDE, MFC7420 FOR CHN		ADD
1	LF6530040	1	USER'S GUIDE, MFC7420/MFC7820N FOR ASA/IND/OCE		
1	LF6530048	1	USER'S GUIDE, MFC7420/MFC7820N FOR RUS		ADD
1	LF6899001	1	USER'S GUIDE, MFC7420/MFC7820N FOR PND <SWEDISH>		
1	LF6896001	1	USER'S GUIDE, MFC7420/MFC7820N FOR PND <FINNISH>		

12. PACKING MATERIALS



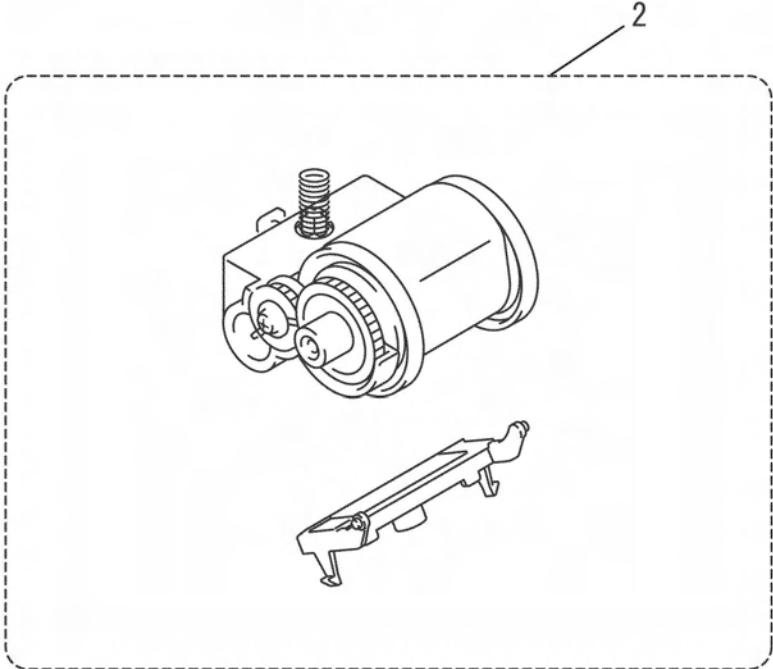
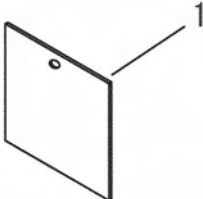
LIST12(PACKING MATERIALS)

REF No.	CODE	Q'TY	DESCRIPTION	RECOMMEND	REMARKS
1	LF6571001	1	CARTON, BROTHER, DCP7010 EXCEPT FOR CHN/KOR/RUS	√	
1	LS0224001	1	CARTON BROTHER, DCP7010L	√	
1	LF6599001	1	CARTON, BROTHER, DCP7025 EXCEPT FOR CHN	√	
1	LF6573001	1	CARTON, BROTHER, MFC7420 FOR ARG/CHL/ASA/IND/OCE	√	
1	LF9960001	1	CARTON, BROTHER, MFC7420 FOR GER/UK/FRA/BEL/NLD/CHE/IRE/DEN/AUS/SPA/ITA/ISR/POR/PND/GNR	√	add
1	LF6574001	1	CARTON, BROTHER, MFC7820N FOR ARG/CHL/ASA/OCE	√	
1	LF9961001	1	CARTON, BROTHER, MFC7820N FOR GER/UK/FRA/BEL/NLD/CHE/IRE/DEN/AUS/SPA/ITA/ISR/POR/PND/GNR	√	add
1	LF9228001	1	CARTON, BROTHER, DCP7010 FOR CHN	√	add
1	LF9227001	1	CARTON, BROTHER, DCP7025 FOR CHN	√	add
1	LF9231001	1	CARTON, BROTHER, MFC7420 FOR CHN	√	add
1	LF9214001	1	CARTON, BROTHER, DCP7010 FOR KOR	√	add
1	LF9218001	1	CARTON, BROTHER, MFC7820N FOR KOR	√	add
1	LF9189001	1	CARTON, BROTHER, DCP7010 FOR RUS	√	add
1	LF9190001	1	CARTON, BROTHER, MFC7420 FOR RUS	√	add
1	LF9191001	1	CARTON, BROTHER, MFC7820N FOR RUS	√	add
2	LF6267001	1	POLYSTYRENE PAD ASSY, DCP7010, DCP7010L		
2	LF6195001	1	POLYSTYRENE PAD ASSY, DCP7025, MFC7420, MFC7820N		
3	LF6199001	1	OPTION CARTON EXCEPT FOR CHN		
3	LP2668001	1	OPTION CARTON ASSY FOR CHN		ADD
4	LJ5583001	1	BAG, 800X900H		
5	UU0456001	1	PROTECTION PAPER, EXCEPT FOR DCP7010, DCP7010L		chg
6	LF6557003	1	QUICK SETUP GUIDE, DCP7010/DCP7010L/DCP7025 FOR GER/CHE/GNR		
6	LF6535003	1	QUICK SETUP GUIDE, MFC7420/MFC7820N FOR GER/AUS		
6	LF6557004	1	QUICK SETUP GUIDE, DCP7010/DCP7010L FOR UK DCP7025 FOR UK/GNR		
6	LF6535004	1	QUICK SETUP GUIDE, MFC7420/MFC7820N FOR UK/IRE		
6	LF6557005	1	QUICK SETUP GUIDE, DCP7010/DCP7010L/DCP7025 FOR FRA/CHE <FRENCH>		
6	LF6557009	1	QUICK SETUP GUIDE, DCP7010/DCP7010L/DCP7025 FOR FRA <DUTCH>		
6	LF6535005	1	QUICK SETUP GUIDE, MFC7420/MFC7820N FOR FRA		
6	LF6557013	1	QUICK SETUP GUIDE, DCP7010/DCP7010L/DCP7025 FOR DEN/PND		
6	LF6535013	1	QUICK SETUP GUIDE, MFC7420/MFC7820N FOR DEN/PND		
6	LF6535008	1	QUICK SETUP GUIDE, MFC7420/MFC7820N FOR BEL <DUTCH>		
6	LF6881001	1	QUICK SETUP GUIDE, MFC7420/MFC7820N FOR BEL/CHE <FRENCH>		
6	LF6535009	1	QUICK SETUP GUIDE, MFC7420/MFC7820N FOR NLD		
6	LF6535010	1	QUICK SETUP GUIDE, MFC7420/MFC7820N FOR CHE <GERMAN>		
6	LF6557015	1	QUICK SETUP GUIDE, DCP7010/DCP7010L/DCP7025 FOR SPA <SPANISH>		
6	LF6557018	1	QUICK SETUP GUIDE, DCP7010/DCP7010L/DCP7025 FOR SPA <PORTUGUESE>		
6	LF6535015	1	QUICK SETUP GUIDE, MFC7420/MFC7820N FOR SPA		
6	LF6557016	1	QUICK SETUP GUIDE, DCP7010/DCP7010L/DCP7025 FOR ITA		
6	LF6535016	1	QUICK SETUP GUIDE, MFC7420/MFC7820N FOR ITA		
6	LF6535018	1	QUICK SETUP GUIDE, MFC7420/MFC7820N FOR POR		
6	LF6557020	1	QUICK SETUP GUIDE, DCP7010/DCP7025 FOR CHN		add
6	LF6535020	1	QUICK SETUP GUIDE, MFC7420 FOR CHN		add
6	LF6557040	1	QUICK SETUP GUIDE, DCP7010 FOR ASA/IND		
6	LF6535040	1	QUICK SETUP GUIDE, MFC7420/MFC7820N FOR ASA/IND/OCE		
6	LF6557048	1	QUICK SETUP GUIDE, DCP7010 FOR RUS		add
6	LF6535048	1	QUICK SETUP GUIDE, MFC7420/MFC7820N FOR RUS		add
6	LF6557012	1	QUICK SETUP GUIDE, DCP7010/DCP7010L/DCP7025 FOR PND <FINNISH>		
6	LF6557026	1	QUICK SETUP GUIDE, DCP7010/DCP7010L/DCP7025 FOR PND <SWEDISH>		
6	LF6557007	1	QUICK SETUP GUIDE, DCP7010/DCP7010L/DCP7025 FOR PND <NORWEGIAN>		

LIST12(PACKING MATERIALS)

REF No.	CODE	Q'TY	DESCRIPTION	RECOMMEND	REMARKS
6	LF6535012	1	QUICK SETUP GUIDE, MFC7420/MFC7820N FOR PND <FINNISH>		
6	LF6535007	1	QUICK SETUP GUIDE, MFC7420/MFC7820N FOR PND <NORWEGIAN>		
6	LF6535026	1	QUICK SETUP GUIDE, MFC7420/MFC7820N FOR PND <SWEDISH>		
6	LF6557037	1	QUICK SETUP GUIDE, DCP7010/DCP7010L FOR GNR <ENGLISH><CZECH><HUNGARIAN>		add
6	LF6557039	1	QUICK SETUP GUIDE, DCP7010/DCP7010L FOR GNR <POLISH><BULGARIAN><RUMANIAN>		add
6	LF6912001	1	QUICK SETUP GUIDE, MFC7420/MFC7820N FOR ISR/GNR <ENGLISH><CZECH><HUNGARIAN>		
6	LF6914001	1	QUICK SETUP GUIDE, MFC7420/MFC7820N FOR GNR <POLISH><BULGARIAN><RUMANIAN>		

13. OTHERS



LIST13(OTHERS)

REF No.	CODE	Q'TY	DESCRIPTION	RECOMMEND	REMARKS
1	LM4726001	1	CHECK JIG		
2	LM4581004	4	PAPER FEEDING KIT EXCEPT FOR CHN		DEL
2	LM6291001	1	PAPER FEEDING KIT		add

brother®

PL-FAX104
8C5A31
Ver. AJ-1