

# **PARTS CATALOG**

**imageRUNNER ADVANCE  
8105/8095/8085 Series**

**Canon**

**Apr 12 2011**



## **PREFACE**

This Parts Catalog contains listings of parts used

Diagrams are provided with the listings to aid the service technician in identifying clearly, the item to be ordered.

Whenever ordering parts, consult this Parts Catalog for all of the information pertaining to each item. Be sure to include, in the Parts Request, the full item description, the item part number, and the quantity.

***COPYRIGHT (C) 1999 CANON INC.***

Use of this manual should be strictly supervised to avoid disclosure of confidential information.



# Contents

## NUMERICAL INDEX

imageRUNNER ADVANCE 8105/8095/8085 Series(Numerical Index) 1-1

## imageRUNNER ADVANCE 8105/8095/8085 Series(Parts Catalog)

|     |                                      |      |
|-----|--------------------------------------|------|
| A1  | ASSEMBLY LOCATION DIAGRAM .....      | 2-1  |
| A2  | OPTION PARTS CATALOG LIST .....      | 2-8  |
| 001 | ACCESSOREIS .....                    | 2-9  |
| 100 | EXTERNAL COVERS, PANELS, ETC. ....   | 2-11 |
| 101 | INTERNAL COMPONENTS 1 .....          | 2-16 |
| 102 | INTERNAL COMPONENTS 2 .....          | 2-19 |
| 103 | INTERNAL COMPONENTS 3 .....          | 2-21 |
| 104 | INTERNAL COMPONENTS 4 .....          | 2-23 |
| 105 | INTERNAL COMPONENTS 5 .....          | 2-25 |
| 106 | INTERNAL COMPONENTS 6 .....          | 2-27 |
| 107 | INTERNAL COMPONENTS 7 .....          | 2-30 |
| 108 | MACHINE BOTTOM PLATE .....           | 2-32 |
| 109 | MACHINE REAR PLATE 1 .....           | 2-33 |
| 110 | MACHINE REAR PLATE 2 .....           | 2-35 |
| 111 | MACHINE REAR PLATE 3 .....           | 2-37 |
| 112 | FRONT COVER ASS'Y, LOWER .....       | 2-39 |
| 113 | RIGHT DOOR ASSEMBLY .....            | 2-41 |
| 114 | VERTICAL PATH ASSEMBLY .....         | 2-43 |
| 135 | UPRIGHT CONTROL PANEL ASSEMBLY ..... | 2-44 |
| 136 | CONTROL PANEL ARM ASSEMBLY .....     | 2-47 |
| 140 | POWER CORD TERMINAL ASS'Y .....      | 2-49 |
| 250 | MAIN DRIVE ASS'Y .....               | 2-53 |
| 260 | V. PATH/CST. PICK-UP ASS'Y .....     | 2-55 |
| 261 | LEFT DECK PICK-UP DRIVE ASS'Y .....  | 2-56 |
| 270 | DRUM DRIVE ASS'Y .....               | 2-58 |
| 271 | DEVELOPING DRIVE ASS'Y .....         | 2-59 |
| 280 | DELIVERY REVERSE DRIVE ASS'Y .....   | 2-61 |
| 300 | CASSETTE ASSEMBLY .....              | 2-62 |
| 301 | CST. SIZE/REMNANT DETECT ASS'Y ..... | 2-65 |
| 302 | DECK REMNANT DETECT ASS'Y .....      | 2-66 |
| 303 | CASSETTE SIZE DETECT ASS'Y .....     | 2-67 |
| 304 | PAPER STOCK ASS'Y, RIGHT .....       | 2-68 |
| 305 | PAPER STOCK ASS'Y, LEFT .....        | 2-71 |
| 306 | CASSETTE HEATER ASSEMBLY (JP) .....  | 2-74 |
| 310 | PAPER PICK-UP ASS'Y, RIGHT .....     | 2-75 |

# Contents

|     |  |       |
|-----|--|-------|
| 311 | PAPER PICK-UP ASS'Y, LEFT .....              | 2-78  |
| 312 | MULTI TRAY ASS'Y .....                       | 2-81  |
| 313 | MULTI PAPER PICK-UP ASS'Y .....              | 2-83  |
| 315 | PRE-REGISTRATION GUIDE ASS'Y .....           | 2-86  |
| 330 | FIXING/FEEDER DUPLEXING ASS'Y .....          | 2-87  |
| 331 | FIXING/FEEDER FRAME ASS'Y .....              | 2-93  |
| 332 | REGISTRATION ASS'Y .....                     | 2-97  |
| 333 | DUPLEX. SIDE REG. SENSOR ASS'Y .....         | 2-99  |
| 334 | E.T.B. CLEANING ASSEMBLY .....               | 2-100 |
| 335 | E.T.BELT ASSEMBLY .....                      | 2-102 |
| 336 | REVERSE CROSSMEMBER ASS'Y, LF. ....          | 2-104 |
| 350 | OUTER PAPER DELIVERY ASS'Y .....             | 2-106 |
| 351 | REVERSE PAPER DELIVERY ASS'Y .....           | 2-108 |
| 352 | INNER PAPER DELIVERY ASS'Y .....             | 2-112 |
| 460 | LASER SCANNER UNIT .....                     | 2-114 |
| 510 | PHOTO-SENSITIVE DRUM ASSEMBLY .....          | 2-115 |
| 550 | 1ST CORONA ASS'Y .....                       | 2-117 |
| 570 | PRE-TRANSFER CORONA ASS'Y .....              | 2-119 |
| 620 | HOPPER ASS'Y .....                           | 2-121 |
| 625 | BUFFER ASS'Y .....                           | 2-123 |
| 640 | DEVELOPING ASS'Y .....                       | 2-125 |
| 650 | DEVELOPING RELEASE ASS'Y .....               | 2-127 |
| 710 | AP. KIT ASS'Y .....                          | 2-129 |
| 711 | DRUM CLEANING ASS'Y .....                    | 2-133 |
| 720 | SEPARATION CLAW DRIVE ASSEMBLY .....         | 2-135 |
| 770 | WASTE TONER FEED ASSEMBLY .....              | 2-137 |
| 810 | FIXING ASS'Y .....                           | 2-140 |
| 811 | FIXING ASS'Y, UPPER .....                    | 2-142 |
| 812 | FIXING DRIVE ASS'Y .....                     | 2-147 |
| 813 | FIXING ENTRANCE GUIDE ASS'Y .....            | 2-149 |
| 814 | FIXING EXIT GUIDE ASS'Y .....                | 2-150 |
| 900 | CONTROLLER BOX ASSEMBLY .....                | 2-151 |
| 910 | IH POWER SUPPLY PCB ASS'Y .....              | 2-153 |
| 920 | INVERTER PCB ASSEMBLY .....                  | 2-154 |
| 930 | DC CONTROLLER PCB ASS'Y .....                | 2-155 |
| 931 | MAIN CONTROLLER PCB ASS'Y, 1 .....           | 2-156 |
| 932 | MAIN CONTROLLER PCB ASS'Y, 2 .....           | 2-157 |
| 960 | MAIN DRIVE DRIVER PCB ASS'Y .....            | 2-158 |
| 961 | AC DRIVER PCB ASS'Y .....                    | 2-159 |
| 962 | NOISE FILTER PCB ASSEMBLY .....              | 2-160 |
| 963 | DUPLEXING DRIVER PCB ASSEMBLY .....          | 2-161 |
| 964 | FEED DRIVER PCB ASSEMBLY .....               | 2-162 |
| 980 | H.V. POWER SUPPLY ASS'Y .....                | 2-163 |
| T40 | DEVICE PORT ASSEMBLY (EUR) .....             | 2-164 |
| ZZA | MECHANICAL STANDARD PARTS (HOW TO USE) ..... | 2-165 |

# Contents

|     |   |       |
|-----|---|-------|
| ZZB | MECHANICAL STANDARD PARTS (SCREWS) .....          | 2-166 |
| ZZC | MECHANICAL STANDARD PARTS (BOLTS) .....           | 2-173 |
| ZZD | MECHANICAL STANDARD PARTS (NUTS) .....            | 2-174 |
| ZZE | MECHANICAL STANDARD PARTS (RETAINING RINGS) ..... | 2-175 |





# NUMERICAL INDEX

## imageRUNNER ADVANCE 8105/8095/8085 Series(Numerical Index)

| PARTS NUMBER | FIGURE & KEY NO. | PARTS NUMBER | FIGURE & KEY NO. | PARTS NUMBER | FIGURE & KEY NO |
|--------------|------------------|--------------|------------------|--------------|-----------------|
| FA2-9037-000 | 814 - 4          | FB6-3456-000 | 312 - 1          | FC5-2540-000 | 311 - 7         |
| FA3-2473-000 | 720 - 1          | FB6-3457-000 | 312 - 2          | FC5-2544-000 | 102 - 1         |
| FA3-2474-000 | 720 - 2          | FB6-3459-000 | 312 - 3          | FC5-2547-000 | 310 - 45        |
| FA3-2475-000 | 720 - 3          | FB6-3463-000 | 313 - 3          | FC5-2547-000 | 311 - 21        |
| FA3-2476-000 | 720 - 4          | FB6-3464-000 | 313 - 15         | FC5-2548-000 | 310 - 10        |
| FA3-2477-000 | 720 - 5          | FB6-3466-000 | 313 - 4          | FC5-2548-000 | 311 - 9         |
| FA3-2478-000 | 720 - 6          | FB6-3467-000 | 313 - 5          | FC5-2573-000 | 310 - 11        |
| FA3-2483-000 | 720 - 7          | FB6-3499-000 | 300 - 60         | FC5-2609-000 | 304 - 5         |
| FA4-1864-000 | 570 - 1          | FB6-3499-000 | 304 - 4          | FC5-2609-000 | 305 - 5         |
| FA6-3071-020 | 811 - 1          | FB6-3499-000 | 305 - 4          | FC5-2635-000 | 311 - 8         |
| FA9-2112-000 | 103 - 1          | FB6-4937-000 | 312 - 17         | FC5-2638-000 | 311 - 10        |
| FA9-2112-000 | 261 - 1          | FB6-6088-000 | 330 - 1          | FC5-2715-000 | 103 - 6         |
| FA9-2112-000 | 304 - 1          | FB6-6088-000 | 710 - 6          | FC5-2715-000 | 105 - 1         |
| FA9-2112-000 | 305 - 1          | FC0-0205-000 | 101 - 38         | FC5-2715-000 | 313 - 7         |
| FA9-2112-000 | 620 - 1          | FC0-2088-000 | 550 - 16         | FC5-5078-000 | 313 - 8         |
| FA9-3847-000 | 111 - 1          | FC0-2089-000 | 550 - 17         | FC5-5092-000 | 620 - 5         |
| FA9-3943-000 | 720 - 9          | FC0-2111-000 | 811 - 16         | FC5-5145-000 | 813 - 4         |
| FB1-6833-000 | 811 - 2          | FC0-2113-000 | 140 - 30         | FC5-5167-000 | 331 - 4         |
| FB1-7173-000 | 100 - 1          | FC0-2131-000 | 350 - 2          | FC5-5170-000 | 330 - 4         |
| FB1-8581-000 | 313 - 1          | FC0-2203-000 | 352 - 10         | FC5-6211-000 | 310 - 12        |
| FB1-8776-000 | 106 - 1          | FC0-2206-000 | 304 - 34         | FC5-6211-000 | 311 - 11        |
| FB1-8776-000 | 811 - 3          | FC0-2206-000 | 305 - 34         | FC5-6245-000 | 310 - 13        |
| FB2-6285-020 | 335 - 28         | FC0-2781-000 | 300 - 32         | FC5-6245-000 | 311 - 12        |
| FB2-6872-000 | 711 - 1          | FC0-3223-000 | 570 - 26         | FC5-6260-000 | 310 - 14        |
| FB2-7163-000 | 352 - 1          | FC0-3227-000 | 101 - 43         | FC5-6287-000 | 331 - 5         |
| FB2-7219-030 | 811 - 4          | FC0-3228-000 | 114 - 9          | FC6-1647-000 | 334 - 1         |
| FB2-7221-000 | 811 - 5          | FC1-3975-020 | 331 - 1          | FC6-1968-000 | 330 - 5         |
| FB2-7230-000 | 811 - 6          | FC1-3976-000 | 331 - 2          | FC6-2327-000 | 620 - 10        |
| FB2-7243-000 | 812 - 1          | FC2-2121-000 | 106 - 2          | FC6-3230-000 | 620 - 29        |
| FB2-7867-030 | 112 - 1          | FC5-1635-000 | 101 - 35         | FC6-3462-000 | 107 - 1         |
| FB2-8094-020 | 101 - 1          | FC5-1766-000 | 510 - 1          | FC6-3494-000 | 812 - 24        |
| FB2-8299-000 | 720 - 10         | FC5-1810-000 | 550 - 1          | FC6-3501-020 | 811 - 10        |
| FB2-8465-000 | 304 - 2          | FC5-1810-000 | 570 - 2          | FC6-3592-000 | 811 - 11        |
| FB2-8465-000 | 305 - 2          | FC5-1950-000 | 620 - 4          | FC6-3673-000 | 811 - 12        |
| FB4-1200-020 | 810 - 1          | FC5-2051-000 | 331 - 46         | FC6-3762-000 | 304 - 6         |
| FB4-1340-000 | 108 - 1          | FC5-2108-000 | 330 - 2          | FC6-3762-000 | 305 - 6         |
| FB4-2007-000 | 310 - 1          | FC5-2179-000 | 313 - 6          | FC6-3763-000 | 304 - 7         |
| FB4-2007-000 | 311 - 1          | FC5-2226-000 | 351 - 1          | FC6-3763-000 | 305 - 7         |
| FB4-3687-000 | 550 - 18         | FC5-2261-000 | 336 - 1          | FC6-3808-000 | 811 - 13        |
| FB4-3687-000 | 570 - 19         | FC5-2271-000 | 331 - 3          | FC6-3863-000 | 310 - 15        |
| FB4-8012-020 | 710 - 1          | FC5-2286-000 | 811 - 9          | FC6-3863-000 | 311 - 13        |
| FB4-8018-010 | 710 - 2          | FC5-2386-000 | 330 - 3          | FC6-6661-000 | 313 - 9         |
| FB5-3625-000 | 104 - 10         | FC5-2524-000 | 310 - 2          | FC6-9029-000 | 270 - 1         |
| FB5-5521-000 | 811 - 8          | FC5-2524-000 | 311 - 2          | FC6-9542-000 | 330 - 6         |
| FB5-6530-000 | 814 - 1          | FC5-2526-000 | 310 - 3          | FC6-9782-000 | 351 - 2         |
| FB5-6948-000 | 813 - 1          | FC5-2526-000 | 311 - 3          | FC6-9969-000 | 304 - 8         |
| FB5-9104-010 | 710 - 3          | FC5-2528-000 | 310 - 4          | FC6-9969-000 | 305 - 8         |
| FB6-2385-000 | 710 - 4          | FC5-2528-000 | 311 - 4          | FC7-0616-000 | 900 - 28        |
| FB6-2719-000 | 304 - 3          | FC5-2537-010 | 310 - 6          | FC7-0617-000 | 900 - 29        |
| FB6-2719-000 | 305 - 3          | FC5-2537-010 | 311 - 6          | FC7-0658-000 | 811 - 14        |
| FB6-3150-000 | 813 - 2          | FC5-2538-000 | 310 - 7          | FC7-4155-000 | 334 - 2         |
| FB6-3410-000 | 313 - 2          | FC5-2540-000 | 310 - 8          | FC7-4302-000 | 106 - 25        |

# NUMERICAL INDEX

## imageRUNNER ADVANCE 8105/8095/8085 Series(Numerical Index)

| PARTS NUMBER | FIGURE & KEY NO. | PARTS NUMBER | FIGURE & KEY NO. | PARTS NUMBER | FIGURE & KEY NO |
|--------------|------------------|--------------|------------------|--------------|-----------------|
| FC7-5009-000 | 313 - 10         | FC8-4964-000 | 304 - 11         | FC8-7171-000 | 330 - 7         |
| FC7-5167-000 | 313 - 11         | FC8-4964-000 | 305 - 11         | FC8-7175-000 | 334 - 3         |
| FC7-5845-000 | 310 - 47         | FC8-4965-000 | 300 - 19         | FC8-7192-000 | 330 - 8         |
| FC7-5845-000 | 311 - 44         | FC8-4967-000 | 300 - 20         | FC8-7196-000 | 334 - 4         |
| FC7-6972-000 | 331 - 6          | FC8-4967-000 | 304 - 12         | FC8-7199-000 | 330 - 9         |
| FC7-7207-000 | 113 - 1          | FC8-4967-000 | 305 - 12         | FC8-7200-000 | 330 - 10        |
| FC7-7207-000 | 313 - 12         | FC8-4968-000 | 300 - 21         | FC8-7235-000 | 812 - 2         |
| FC7-7208-000 | 313 - 13         | FC8-4968-000 | 304 - 13         | FC8-7236-000 | 351 - 3         |
| FC7-7208-000 | 331 - 7          | FC8-4968-000 | 305 - 13         | FC8-7236-000 | 812 - 3         |
| FC7-7209-000 | 113 - 2          | FC8-4987-000 | 300 - 22         | FC8-7244-000 | 812 - 4         |
| FC7-7209-000 | 114 - 1          | FC8-4990-000 | 300 - 23         | FC8-7247-000 | 811 - 17        |
| FC7-7209-000 | 313 - 14         | FC8-4994-000 | 300 - 24         | FC8-7251-000 | 811 - 18        |
| FC7-7800-000 | 811 - 15         | FC8-4996-000 | 300 - 25         | FC8-7252-000 | 811 - 19        |
| FC8-0785-000 | 313 - 18         | FC8-4997-000 | 300 - 26         | FC8-7257-000 | 811 - 20        |
| FC8-1844-000 | 100 - 3          | FC8-5262-000 | 300 - 55         | FC8-7271-000 | 313 - 17        |
| FC8-1876-000 | 100 - 4          | FC8-6109-000 | 100 - 11         | FC8-7273-000 | 313 - 19        |
| FC8-1877-000 | 100 - 5          | FC8-6639-000 | 108 - 2          | FC8-7274-000 | 312 - 8         |
| FC8-2366-000 | 100 - 6          | FC8-7016-000 | 900 - 2          | FC8-7275-000 | 312 - 9         |
| FC8-2367-000 | 100 - 7          | FC8-7023-000 | 900 - 3          | FC8-7276-000 | 332 - 1         |
| FC8-2368-000 | 100 - 8          | FC8-7024-000 | 900 - 4          | FC8-7277-000 | 332 - 2         |
| FC8-2462-000 | 300 - 1          | FC8-7026-000 | 107 - 2          | FC8-7283-000 | 332 - 3         |
| FC8-2463-000 | 300 - 2          | FC8-7027-000 | 107 - 3          | FC8-7284-000 | 332 - 4         |
| FC8-2464-000 | 300 - 3          | FC8-7033-000 | 100 - 12         | FC8-7286-000 | 332 - 15        |
| FC8-2466-000 | 300 - 4          | FC8-7034-000 | 105 - 2          | FC8-7290-000 | 113 - 3         |
| FC8-2469-000 | 300 - 5          | FC8-7038-000 | 105 - 3          | FC8-7291-000 | 113 - 4         |
| FC8-2470-000 | 300 - 6          | FC8-7039-000 | 105 - 4          | FC8-7293-000 | 113 - 15        |
| FC8-2474-000 | 300 - 7          | FC8-7053-000 | 550 - 2          | FC8-7295-000 | 333 - 1         |
| FC8-2475-000 | 300 - 8          | FC8-7054-000 | 550 - 3          | FC8-7297-000 | 331 - 8         |
| FC8-2476-000 | 300 - 54         | FC8-7074-000 | 711 - 4          | FC8-7309-000 | 331 - 9         |
| FC8-2477-000 | 300 - 9          | FC8-7075-000 | 711 - 5          | FC8-7321-000 | 331 - 47        |
| FC8-2482-000 | 300 - 10         | FC8-7083-000 | 710 - 45         | FC8-7322-000 | 331 - 48        |
| FC8-2484-000 | 300 - 11         | FC8-7086-000 | 711 - 2          | FC8-7323-000 | 331 - 49        |
| FC8-2487-000 | 301 - 1          | FC8-7093-000 | 710 - 8          | FC8-7324-000 | 331 - 10        |
| FC8-2495-000 | 300 - 12         | FC8-7097-000 | 710 - 9          | FC8-7327-000 | 330 - 11        |
| FC8-2527-000 | 304 - 9          | FC8-7098-000 | 710 - 10         | FC8-7328-000 | 330 - 12        |
| FC8-2527-000 | 305 - 9          | FC8-7106-000 | 650 - 1          | FC8-7332-000 | 336 - 2         |
| FC8-2533-000 | 304 - 10         | FC8-7107-000 | 650 - 2          | FC8-7333-000 | 331 - 50        |
| FC8-2533-000 | 305 - 10         | FC8-7108-000 | 650 - 3          | FC8-7334-000 | 331 - 11        |
| FC8-2667-000 | 300 - 13         | FC8-7109-000 | 650 - 15         | FC8-7343-000 | 331 - 12        |
| FC8-2668-000 | 300 - 14         | FC8-7113-000 | 650 - 5          | FC8-7347-000 | 114 - 4         |
| FC8-2670-000 | 300 - 15         | FC8-7125-000 | 271 - 1          | FC8-7348-000 | 114 - 5         |
| FC8-2671-000 | 300 - 16         | FC8-7128-000 | 271 - 19         | FC8-7349-000 | 114 - 8         |
| FC8-2672-000 | 300 - 17         | FC8-7139-000 | 620 - 6          | FC8-7352-000 | 101 - 42        |
| FC8-2697-000 | 114 - 2          | FC8-7155-000 | 335 - 1          | FC8-7353-000 | 304 - 14        |
| FC8-2700-000 | 103 - 2          | FC8-7156-000 | 335 - 2          | FC8-7354-000 | 305 - 14        |
| FC8-2708-000 | 312 - 4          | FC8-7157-000 | 335 - 3          | FC8-7356-000 | 304 - 15        |
| FC8-2712-000 | 312 - 5          | FC8-7158-000 | 335 - 4          | FC8-7356-000 | 305 - 15        |
| FC8-2713-000 | 312 - 6          | FC8-7159-000 | 335 - 5          | FC8-7358-000 | 304 - 16        |
| FC8-2727-000 | 312 - 7          | FC8-7160-000 | 335 - 6          | FC8-7358-000 | 305 - 16        |
| FC8-3782-000 | 114 - 3          | FC8-7161-000 | 335 - 7          | FC8-7378-000 | 350 - 1         |
| FC8-4051-000 | 900 - 1          | FC8-7162-000 | 335 - 8          | FC8-7387-000 | 351 - 4         |
| FC8-4964-000 | 300 - 18         | FC8-7166-000 | 335 - 9          | FC8-7389-000 | 351 - 5         |

# NUMERICAL INDEX

## imageRUNNER ADVANCE 8105/8095/8085 Series(Numerical Index)

| PARTS NUMBER | FIGURE & KEY NO. | PARTS NUMBER | FIGURE & KEY NO. | PARTS NUMBER | FIGURE & KEY NO |
|--------------|------------------|--------------|------------------|--------------|-----------------|
| FC8-7390-000 | 351 - 6          | FC8-9509-000 | 811 - 22         | FC9-0294-000 | 135 - 10        |
| FC8-7392-000 | 351 - 7          | FC8-9512-000 | 811 - 23         | FC9-0299-000 | 135 - 11        |
| FC8-7393-000 | 351 - 8          | FC8-9517-000 | 813 - 3          | FC9-0301-000 | 135 - 12        |
| FC8-7404-000 | 111 - 13         | FC8-9520-000 | 810 - 2          | FC9-0302-000 | 135 - 13        |
| FC8-7409-000 | 111 - 2          | FC8-9527-000 | 811 - 66         | FC9-0305-000 | 135 - 34        |
| FC8-7424-000 | 770 - 1          | FC8-9529-000 | 811 - 68         | FC9-0306-000 | 135 - 35        |
| FC8-7809-000 | 310 - 41         | FC8-9530-000 | 811 - 25         | FC9-0307-000 | 135 - 36        |
| FC8-7809-000 | 311 - 42         | FC8-9561-000 | 112 - 2          | FC9-0308-000 | 135 - 14        |
| FC8-7812-000 | 310 - 17         | FC8-9562-000 | 112 - 2          | FC9-0309-000 | 135 - 15        |
| FC8-7813-000 | 310 - 18         | FC8-9564-000 | 106 - 3          | FC9-0310-000 | 135 - 32        |
| FC8-8651-000 | 135 - 1          | FC8-9566-000 | 100 - 15         | FC9-0311-000 | 100 - 26        |
| FC8-8654-000 | 135 - 2          | FC8-9569-000 | 104 - 14         | FC9-0311-000 | 135 - 31        |
| FC8-8658-000 | 135 - 3          | FC8-9571-000 | 650 - 6          | FC9-0311-000 | 136 - 1         |
| FC8-8659-000 | 135 - 4          | FC8-9576-000 | 105 - 6          | FC9-0312-000 | 135 - 33        |
| FC8-8660-000 | 135 - 5          | FC8-9577-000 | 105 - 5          | FC9-0312-000 | 136 - 2         |
| FC8-8802-000 | 331 - 13         | FC8-9582-000 | 640 - 1          | FC9-0317-000 | 136 - 3         |
| FC8-9043-000 | 310 - 9          | FC8-9585-000 | 640 - 15         | FC9-0320-000 | 107 - 19        |
| FC8-9043-000 | 311 - 15         | FC8-9586-000 | 640 - 2          | FC9-0336-000 | 136 - 4         |
| FC8-9044-000 | 310 - 22         | FC8-9595-000 | 640 - 6          | FC9-0337-000 | 136 - 5         |
| FC8-9044-000 | 311 - 20         | FC8-9639-000 | 112 - 7          | FC9-0339-010 | 136 - 6         |
| FC8-9045-000 | 310 - 19         | FC8-9641-000 | 112 - 8          | FC9-0341-010 | 136 - 7         |
| FC8-9045-000 | 311 - 17         | FC8-9642-000 | 112 - 9          | FC9-0342-000 | 100 - 56        |
| FC8-9046-000 | 310 - 20         | FC8-9646-000 | 112 - 4          | FC9-0343-000 | 100 - 57        |
| FC8-9046-000 | 311 - 18         | FC8-9647-000 | 112 - 10         | FC9-0344-000 | 136 - 8         |
| FC8-9047-000 | 310 - 21         | FC8-9664-000 | 330 - 14         | FC9-0376-000 | 100 - 27        |
| FC8-9047-000 | 311 - 19         | FC8-9667-000 | 106 - 30         | FC9-0377-000 | 100 - 28        |
| FC8-9049-000 | 300 - 27         | FC8-9669-000 | 106 - 21         | FC9-0381-000 | 100 - 29        |
| FC8-9050-000 | 304 - 17         | FC8-9678-000 | 104 - 27         | FC9-0382-000 | 100 - 30        |
| FC8-9050-000 | 305 - 17         | FC8-9679-000 | 113 - 9          | FC9-3675-000 | 306 - 1         |
| FC8-9051-000 | 300 - 56         | FC8-9682-000 | 570 - 24         | FC9-3775-000 | 305 - 19        |
| FC8-9053-000 | 304 - 18         | FC8-9687-000 | 570 - 25         | FC9-3785-000 | 300 - 58        |
| FC8-9054-000 | 304 - 19         | FC9-0071-000 | 570 - 7          | FC9-3831-000 | 300 - 29        |
| FC8-9055-000 | 305 - 18         | FC9-0074-000 | 570 - 8          | FC9-3842-000 | 136 - 9         |
| FC8-9343-000 | 352 - 12         | FC9-0077-000 | 100 - 16         | FC9-3843-000 | 100 - 58        |
| FC8-9346-000 | 351 - 9          | FC9-0078-000 | 100 - 17         | FC9-3844-000 | 100 - 59        |
| FC8-9347-000 | 351 - 10         | FC9-0079-000 | 900 - 5          | FC9-3845-000 | 135 - 16        |
| FC8-9348-000 | 351 - 11         | FC9-0080-010 | 100 - 18         | FC9-3892-000 | 304 - 20        |
| FC8-9349-000 | 113 - 5          | FC9-0081-000 | 100 - 19         | FC9-3892-000 | 305 - 20        |
| FC8-9350-000 | 113 - 6          | FC9-0088-000 | 100 - 20         | FC9-3904-000 | 102 - 2         |
| FC8-9353-000 | 113 - 7          | FC9-0133-000 | 300 - 57         | FC9-3907-000 | 100 - 31        |
| FC8-9354-000 | 315 - 1          | FC9-0136-000 | 300 - 28         | FC9-3909-000 | 100 - 32        |
| FC8-9373-000 | 271 - 2          | FC9-0145-000 | 001 - 5          | FC9-3911-000 | 100 - 33        |
| FC8-9404-000 | 710 - 11         | FC9-0152-000 | 100 - 21         | FC9-3934-000 | 100 - 34        |
| FC8-9413-000 | 710 - 12         | FC9-0155-000 | 100 - 22         | FC9-3956-000 | 313 - 20        |
| FC8-9450-000 | 330 - 13         | FC9-0156-000 | 100 - 23         | FC9-3962-000 | 300 - 30        |
| FC8-9452-000 | 101 - 3          | FC9-0157-000 | 100 - 24         | FC9-3963-000 | 302 - 1         |
| FC8-9486-000 | 103 - 3          | FC9-0160-000 | 620 - 7          | FC9-3964-000 | 302 - 2         |
| FC8-9488-000 | 101 - 4          | FC9-0162-000 | 100 - 25         | FC9-3965-000 | 302 - 3         |
| FC8-9488-000 | 113 - 8          | FC9-0290-000 | 135 - 6          | FC9-3966-000 | 302 - 4         |
| FC8-9490-000 | 101 - 5          | FC9-0291-000 | 135 - 7          | FC9-3967-000 | 302 - 5         |
| FC8-9492-000 | 113 - 16         | FC9-0292-000 | 135 - 8          | FC9-3968-000 | 302 - 6         |
| FC8-9508-000 | 811 - 21         | FC9-0293-000 | 135 - 9          | FC9-3970-000 | 310 - 23        |

# NUMERICAL INDEX

## imageRUNNER ADVANCE 8105/8095/8085 Series(Numerical Index)

| PARTS NUMBER | FIGURE & KEY NO. | PARTS NUMBER | FIGURE & KEY NO. | PARTS NUMBER | FIGURE & KEY NO |
|--------------|------------------|--------------|------------------|--------------|-----------------|
| FC9-3989-000 | 304 - 21         | FC9-6163-000 | 106 - 4          | FC9-8805-000 | 313 - 22        |
| FC9-3989-000 | 305 - 21         | FC9-6164-000 | 106 - 5          | FC9-8806-000 | 113 - 10        |
| FC9-4042-000 | 300 - 31         | FC9-6165-000 | 570 - 10         | FC9-8811-000 | 332 - 16        |
| FC9-4084-000 | 103 - 4          | FC9-6166-000 | 570 - 11         | FC9-8812-000 | 900 - 11        |
| FC9-4111-000 | 570 - 9          | FC9-6167-000 | 335 - 12         | FC9-8815-000 | 335 - 15        |
| FC9-4117-000 | 101 - 33         | FC9-6169-000 | 710 - 17         | FC9-8817-000 | 331 - 16        |
| FC9-4119-000 | 304 - 22         | FC9-6170-000 | 810 - 3          | FC9-8819-000 | 570 - 27        |
| FC9-4119-000 | 305 - 22         | FC9-6171-000 | 112 - 12         | FC9-8821-000 | 331 - 17        |
| FC9-4290-000 | 310 - 16         | FC9-6182-000 | 330 - 78         | FC9-8828-000 | 330 - 18        |
| FC9-4290-000 | 311 - 14         | FC9-6942-000 | 620 - 8          | FC9-8850-000 | 112 - 11        |
| FC9-4356-000 | 101 - 6          | FC9-6947-000 | 352 - 14         | FC9-8980-000 | 900 - 12        |
| FC9-4860-000 | 710 - 42         | FC9-6958-000 | 900 - 8          | FC9-8981-000 | 106 - 6         |
| FC9-4863-000 | 710 - 13         | FC9-6959-010 | 100 - 36         | FC9-8995-000 | 135 - 30        |
| FC9-4867-000 | 710 - 14         | FC9-7040-000 | 100 - 37         | FC9-8996-000 | 135 - 30        |
| FC9-4868-000 | 106 - 19         | FC9-7041-000 | 100 - 38         | FC9-8997-000 | 135 - 30        |
| FC9-4870-000 | 710 - 15         | FC9-7044-000 | 100 - 39         | FC9-8998-000 | 135 - 30        |
| FC9-4871-000 | 710 - 43         | FC9-7047-000 | 100 - 40         | FC9-8999-000 | 135 - 30        |
| FC9-4872-000 | 510 - 2          | FC9-7059-000 | 900 - 9          | FC9-9000-000 | 135 - 30        |
| FC9-4888-000 | 107 - 4          | FC9-7165-000 | 312 - 16         | FC9-9001-000 | 135 - 30        |
| FC9-5006-000 | 140 - 5          | FC9-7261-000 | 300 - 33         | FC9-9002-000 | 135 - 30        |
| FC9-5007-000 | 140 - 32         | FC9-7439-000 | 105 - 8          | FC9-9003-000 | 135 - 30        |
| FC9-5008-000 | 140 - 7          | FC9-7440-000 | 710 - 18         | FC9-9004-000 | 135 - 30        |
| FC9-5026-000 | 813 - 5          | FC9-7520-000 | 100 - 41         | FC9-9005-000 | 135 - 30        |
| FC9-5089-000 | 104 - 1          | FC9-7521-000 | 100 - 42         | FC9-9015-000 | 330 - 79        |
| FC9-5091-000 | 625 - 1          | FC9-7845-000 | 330 - 17         | FC9-9032-000 | 104 - 4         |
| FC9-5092-000 | 625 - 22         | FC9-7846-000 | 104 - 26         | FC9-9033-000 | 104 - 5         |
| FC9-5093-000 | 625 - 23         | FC9-7847-000 | 900 - 10         | FC9-9034-000 | 104 - 6         |
| FC9-5094-000 | 650 - 7          | FC9-7853-000 | 335 - 13         | FC9-9049-000 | 100 - 45        |
| FC9-5095-000 | 650 - 8          | FC9-7854-000 | 335 - 14         | FC9-9054-000 | 620 - 9         |
| FC9-5096-000 | 650 - 9          | FC9-7855-000 | 109 - 5          | FC9-9055-000 | 100 - 46        |
| FC9-5106-000 | 640 - 9          | FC9-7984-000 | 650 - 4          | FC9-9056-000 | 100 - 48        |
| FC9-5123-000 | 811 - 26         | FC9-7993-000 | 331 - 15         | FC9-9057-000 | 100 - 47        |
| FC9-5130-000 | 352 - 13         | FC9-8049-000 | 100 - 61         | FC9-9059-000 | 100 - 48        |
| FC9-5134-000 | 770 - 2          | FC9-8050-000 | 100 - 55         | FC9-9060-000 | 100 - 48        |
| FC9-5137-000 | 811 - 67         | FC9-8052-000 | 570 - 12         | FC9-9066-000 | 104 - 7         |
| FC9-5263-000 | 250 - 16         | FC9-8060-000 | 310 - 5          | FC9-9067-000 | 330 - 19        |
| FC9-5450-000 | 333 - 2          | FC9-8060-000 | 311 - 16         | FC9-9069-000 | 108 - 4         |
| FC9-5457-000 | 336 - 3          | FC9-8061-000 | 312 - 10         | FC9-9071-000 | 352 - 3         |
| FC9-5458-000 | 351 - 12         | FC9-8067-000 | 811 - 28         | FC9-9100-000 | 104 - 8         |
| FC9-5461-000 | 104 - 25         | FC9-8069-000 | 811 - 29         | FC9-9102-000 | 330 - 33        |
| FC9-5463-000 | 330 - 15         | FC9-8072-000 | 111 - 12         | FC9-9103-000 | 100 - 49        |
| FC9-5464-000 | 100 - 35         | FC9-8073-000 | 100 - 43         | FC9-9104-000 | 331 - 18        |
| FC9-5467-000 | 108 - 3          | FC9-8082-000 | 313 - 21         | FC9-9105-000 | 331 - 19        |
| FC9-5573-000 | 710 - 16         | FC9-8085-000 | 811 - 30         | FC9-9131-000 | 770 - 29        |
| FC9-5579-000 | 105 - 7          | FC9-8281-000 | 351 - 13         | FC9-9133-000 | 510 - 3         |
| FC9-5580-000 | 331 - 14         | FC9-8283-000 | 350 - 3          | FC9-9134-000 | 510 - 4         |
| FC9-5584-000 | 104 - 2          | FC9-8283-000 | 351 - 14         | FC9-9135-000 | 350 - 4         |
| FC9-5585-000 | 104 - 3          | FC9-8286-000 | 336 - 4          | FC9-9137-000 | 104 - 9         |
| FC9-5586-000 | 335 - 10         | FC9-8565-000 | 304 - 23         | FC9-9139-000 | 510 - 9         |
| FC9-5587-000 | 335 - 11         | FC9-8565-000 | 305 - 23         | FC9-9140-000 | 510 - 10        |
| FC9-5698-000 | 334 - 6          | FC9-8683-000 | 101 - 41         | FC9-9143-000 | 711 - 3         |
| FC9-5700-000 | 330 - 16         | FC9-8684-000 | 105 - 9          | FC9-9145-000 | 103 - 5         |

# NUMERICAL INDEX

## imageRUNNER ADVANCE 8105/8095/8085 Series(Numerical Index)

| PARTS NUMBER | FIGURE & KEY NO. | PARTS NUMBER | FIGURE & KEY NO. | PARTS NUMBER | FIGURE & KEY NO |
|--------------|------------------|--------------|------------------|--------------|-----------------|
| FC9-9152-000 | 331 - 20         | FK2-6324-000 | 140 - 6          | FK2-7835-000 | 932 - IC        |
| FC9-9153-000 | 710 - 41         | FK2-6325-000 | 140 - 6          | FK2-8080-000 | 920 - T         |
| FC9-9156-000 | 250 - 1          | FK2-6470-000 | 113 - 11         | FK2-8081-000 | 135 - 18        |
| FC9-9157-000 | 313 - 23         | FK2-6470-000 | 310 - 46         | FK2-8272-000 | 931 - IC        |
| FC9-9159-000 | 711 - 6          | FK2-6470-000 | 311 - 43         | FK2-8276-000 | 931 - 1         |
| FC9-9161-000 | 107 - 5          | FK2-6470-000 | 313 - 25         | FK2-8321-000 | 932 - IC        |
| FC9-9162-000 | 331 - 21         | FK2-6470-000 | 331 - 22         | FK2-8330-000 | 136 - 10        |
| FC9-9165-000 | 640 - 3          | FK2-6470-000 | 332 - 6          | FK2-8418-000 | 900 - 14        |
| FC9-9166-000 | 640 - 4          | FK2-6470-000 | 336 - 5          | FK3-0083-000 | 001 - 1         |
| FC9-9167-000 | 640 - 5          | FK2-6757-000 | 932 - IC         | FK3-0085-000 | 001 - 1         |
| FC9-9169-000 | 640 - 11         | FK2-7234-000 | 106 - 22         | FK3-0091-000 | 001 - 1         |
| FC9-9173-000 | 711 - 7          | FK2-7241-000 | 109 - 1          | FK3-0092-000 | 001 - 1         |
| FC9-9174-000 | 811 - 31         | FK2-7241-000 | 110 - 1          | FK3-0408-000 | 001 - 1         |
| FC9-9175-000 | 811 - 32         | FK2-7241-000 | 330 - 23         | FK3-0409-000 | 001 - 2         |
| FC9-9187-000 | 352 - 8          | FK2-7359-000 | 140 - 8          | FK3-0410-000 | 001 - 1         |
| FC9-9193-000 | 335 - 16         | FK2-7407-000 | 135 - 17         | FK3-0412-000 | 001 - 1         |
| FC9-9196-000 | 620 - 3          | FK2-7596-000 | 930 - IC         | FK3-1009-000 | 930 - IC        |
| FC9-9197-000 | 101 - 39         | FK2-7668-000 | 271 - 3          | FL2-0462-020 | 550 - 9         |
| FC9-9198-000 | 101 - 2          | FK2-7670-000 | 812 - 6          | FL2-0462-020 | 570 - 13        |
| FC9-9359-000 | 304 - 24         | FK2-7672-000 | 270 - 2          | FL2-0469-000 | 106 - 9         |
| FC9-9359-000 | 305 - 24         | FK2-7674-000 | 250 - 2          | FL2-0991-000 | 550 - 10        |
| FF3-4656-000 | 332 - 5          | FK2-7674-000 | 261 - 2          | FL2-0991-000 | 570 - 14        |
| FF5-3055-030 | 352 - 4          | FK2-7674-000 | 330 - 24         | FL2-1167-000 | 331 - 23        |
| FG5-5789-000 | 720 -            | FK2-7675-000 | 250 - 3          | FL2-1401-000 | 310 - 25        |
| FH3-0937-000 | 910 - L          | FK2-7675-000 | 260 - 1          | FL2-1401-000 | 311 - 23        |
| FH3-0937-000 | 962 - L          | FK2-7675-000 | 280 - 1          | FL2-2720-000 | 550 - 11        |
| FH3-0991-000 | 962 - L          | FK2-7675-000 | 330 - 25         | FL2-2720-000 | 570 - 15        |
| FH4-6300-000 | 930 - IC         | FK2-7678-000 | 106 - 8          | FL2-2925-000 | 313 - 27        |
| FH6-1548-040 | 330 - 20         | FK2-7678-000 | 107 - 6          | FL2-3051-000 | 811 - 7         |
| FH7-7600-010 | 312 - 11         | FK2-7679-000 | 811 - 33         | FL2-8638-000 | 300 - 34        |
| FH7-7625-030 | 140 - 8          | FK2-7681-000 | 961 - SR         | FL2-8741-000 | 135 - 19        |
| FK2-0016-000 | 102 - 3          | FK2-7682-000 | 961 - SR         | FL2-8742-000 | 135 - 20        |
| FK2-0115-000 | 313 - 24         | FK2-7684-000 | 271 - 4          | FL2-8916-000 | 311 - 24        |
| FK2-0146-000 | 140 - 12         | FK2-7692-000 | 811 - 34         | FL2-8926-000 | 107 - 7         |
| FK2-0148-000 | 140 - 13         | FK2-7693-000 | 811 - 35         | FL2-8930-000 | 570 - 16        |
| FK2-0360-000 | 140 - 3          | FK2-7698-000 | 811 - 36         | FL2-8948-000 | 102 - 4         |
| FK2-0598-000 | 910 - T          | FK2-7712-000 | 930 - IC         | FL3-0219-000 | 810 - 4         |
| FK2-0680-000 | 910 - T          | FK2-7713-000 | 625 - 3          | FL3-0237-000 | 304 - 25        |
| FK2-0681-000 | 910 - T          | FK2-7713-000 | 640 - 12         | FL3-0237-000 | 305 - 25        |
| FK2-0839-000 | 812 - 5          | FK2-7714-000 | 900 - 13         | FL3-0238-000 | 304 - 26        |
| FK2-0979-000 | 001 - 3          | FK2-7718-000 | 109 - 14         | FL3-0238-000 | 305 - 26        |
| FK2-1773-000 | 960 - IC         | FK2-7719-000 | 330 - 26         | FL3-0244-000 | 102 - 10        |
| FK2-1773-000 | 963 - IC         | FK2-7721-000 | 930 - IC         | FL3-0247-000 | 250 - 4         |
| FK2-1773-000 | 964 - IC         | FK2-7723-000 | 510 - 5          | FL3-0247-000 | 261 - 3         |
| FK2-2064-000 | 140 - 4          | FK2-7724-000 | 510 - 5          | FL3-0248-000 | 250 - 5         |
| FK2-2069-000 | 333 - 3          | FK2-7725-000 | 510 - 5          | FL3-0255-000 | 250 - 6         |
| FK2-2987-000 | 140 - 14         | FK2-7728-000 | 625 - 2          | FL3-0255-000 | 260 - 2         |
| FK2-3100-000 | 111 - 3          | FK2-7819-000 | 932 - IC         | FL3-0272-000 | 331 - 24        |
| FK2-3100-000 | 330 - 21         | FK2-7824-000 | 900 - 24         | FL3-0273-000 | 331 - 25        |
| FK2-3149-000 | 106 - 7          | FK2-7825-000 | 900 - 25         | FL3-0275-000 | 351 - 15        |
| FK2-3149-000 | 330 - 22         | FK2-7829-000 | 932 - IC         | FL3-0277-000 | 315 - 2         |
| FK2-3218-000 | 932 - IC         | FK2-7834-000 | 110 - 2          | FL3-0285-000 | 812 - 21        |

# NUMERICAL INDEX

## imageRUNNER ADVANCE 8105/8095/8085 Series(Numerical Index)

| PARTS NUMBER | FIGURE & KEY NO. | PARTS NUMBER | FIGURE & KEY NO. | PARTS NUMBER | FIGURE & KEY NO |
|--------------|------------------|--------------|------------------|--------------|-----------------|
| FL3-0286-000 | 770 - 3          | FL3-3866-000 | 111 - 5          | FM3-7375-000 | 315 -           |
| FL3-0292-000 | 332 - 7          | FL3-3867-000 | 350 - 13         | FM3-7379-000 | 350 -           |
| FL3-0293-000 | 330 - 27         | FL3-3868-000 | 330 - 31         | FM3-7381-000 | 352 -           |
| FL3-0297-000 | 331 - 26         | FL3-3869-000 | 271 - 8          | FM3-7531-000 | 460 -           |
| FL3-0626-000 | 135 - 21         | FL3-3871-000 | 105 - 10         | FM3-8906-010 | 300 - 36        |
| FL3-0833-000 | 135 - 22         | FL3-3872-000 | 100 - 50         | FM3-8907-000 | 300 - 37        |
| FL3-1185-000 | 100 - 51         | FL3-3875-000 | 770 - 4          | FM3-8911-000 | 300 - 59        |
| FL3-1240-000 | 101 - 7          | FL3-4551-000 | 711 - 10         | FM3-8915-000 | 306 - 2         |
| FL3-1250-000 | 510 - 6          | FL3-4552-000 | 334 - 10         | FM3-9130-000 | 140 - 35        |
| FL3-1266-000 | 140 - 10         | FL3-4558-000 | 550 - 14         | FM3-9131-000 | 140 - 36        |
| FL3-1267-000 | 140 - 9          | FL3-4559-000 | 570 - 17         | FM3-9132-000 | 140 - 37        |
| FL3-1269-000 | 140 - 11         | FL3-4560-000 | 271 - 9          | FM3-9133-000 | 140 - 15        |
| FL3-1270-000 | 550 - 13         | FL3-4575-000 | 271 - 10         | FM3-9134-000 | 140 - 16        |
| FL3-1270-000 | 650 - 10         | FL3-4906-000 | 310 - 24         | FM3-9135-000 | 140 - 17        |
| FL3-1271-000 | 101 - 8          | FL3-4906-000 | 311 - 22         | FM3-9138-000 | 140 - 18        |
| FL3-1300-000 | 770 - 25         | FL3-4911-000 | 310 - 27         | FM3-9139-000 | 140 - 19        |
| FL3-1306-000 | 330 - 80         | FL3-4911-000 | 311 - 27         | FM3-9140-000 | 140 - 23        |
| FL3-2134-000 | 111 - 4          | FL3-5027-000 | 550 - 12         | FM3-9144-000 | 140 - 33        |
| FL3-2141-000 | 105 - 14         | FL3-5029-000 | 106 - 23         | FM3-9145-000 | 140 - 20        |
| FL3-2142-000 | 100 - 52         | FL3-5030-000 | 313 - 16         | FM3-9146-000 | 140 - 21        |
| FL3-2154-000 | 650 - 11         | FL3-5181-000 | 640 - 13         | FM3-9201-000 | 900 - 15        |
| FL3-2157-000 | 640 - 8          | FL3-5186-000 | 640 - 19         | FM3-9203-000 | 900 - 26        |
| FL3-2159-000 | 811 - 38         | FL3-5187-000 | 710 - 7          | FM3-9213-000 | 932 -           |
| FL3-2160-000 | 107 - 15         | FL3-5193-000 | 710 - 46         | FM3-9909-000 | 100 - 60        |
| FL3-2170-000 | 271 - 5          | FL3-5194-000 | 710 - 44         | FM3-9989-000 | 300 - 38        |
| FL3-2171-000 | 330 - 28         | FL3-5778-000 | 900 - 23         | FM3-9994-000 | 920 -           |
| FL3-2254-000 | 310 - 26         | FL3-5780-000 | 110 - 3          | FM3-9995-000 | 135 - 24        |
| FL3-2254-000 | 311 - 25         | FM2-4169-000 | 812 - 7          | FM3-9996-000 | 135 - 25        |
| FL3-2806-000 | 271 - 6          | FM2-4663-000 | 109 - 2          | FM3-9997-000 | 135 - 26        |
| FL3-2807-000 | 271 - 7          | FM2-7196-000 | 335 - 17         | FM3-9998-000 | 135 - 27        |
| FL3-2811-000 | 313 - 28         | FM3-4746-010 | 300 -            | FM3-9999-000 | 135 - 28        |
| FL3-2813-000 | 101 - 9          | FM3-4810-000 | 135 -            | FM4-0006-000 | 136 - 14        |
| FL3-2814-000 | 330 - 29         | FM3-4813-000 | 135 - 23         | FM4-0721-000 | T40 - 1         |
| FL3-2815-000 | 334 - 7          | FM3-4814-000 | 136 - 13         | FM4-0783-000 | 900 - 27        |
| FL3-2819-000 | 280 - 2          | FM3-4932-000 | 301 - 2          | FM4-0831-000 | 900 - 6         |
| FL3-3018-000 | 330 - 30         | FM3-4932-000 | 303 - 1          | FM4-0880-000 | 620 - 11        |
| FL3-3019-000 | 352 - 5          | FM3-7288-000 | 550 -            | FM4-0885-010 | 104 - 12        |
| FL3-3022-000 | 351 - 16         | FM3-7291-000 | 710 -            | FM4-0889-000 | 331 - 27        |
| FL3-3172-000 | 312 - 12         | FM3-7292-000 | 710 - 19         | FM4-0893-000 | 336 -           |
| FL3-3602-000 | 811 - 39         | FM3-7293-000 | 710 - 20         | FM4-0897-000 | 333 -           |
| FL3-3609-000 | 312 - 13         | FM3-7294-000 | 711 -            | FM4-0899-000 | 770 -           |
| FL3-3610-000 | 570 - 28         | FM3-7298-000 | 106 - 29         | FM4-0902-000 | 770 - 5         |
| FL3-3619-000 | 814 - 2          | FM3-7302-000 | 106 - 11         | FM4-0903-000 | 770 - 6         |
| FL3-3700-000 | 711 - 9          | FM3-7307-000 | 101 - 10         | FM4-0905-000 | 111 - 6         |
| FL3-3731-000 | 810 - 5          | FM3-7327-000 | 101 - 11         | FM4-0908-000 | 104 - 13        |
| FL3-3733-000 | 336 - 6          | FM3-7330-000 | 140 -            | FM4-0912-000 | 330 - 34        |
| FL3-3736-000 | 814 - 6          | FM3-7339-000 | 812 -            | FM4-0913-000 | 334 -           |
| FL3-3782-000 | 625 - 4          | FM3-7340-000 | 811 -            | FM4-0916-000 | 335 -           |
| FL3-3783-000 | 570 - 21         | FM3-7351-000 | 104 - 11         | FM4-0924-000 | 112 -           |
| FL3-3784-000 | 351 - 17         | FM3-7367-000 | 313 -            | FM4-0929-000 | 301 -           |
| FL3-3799-000 | 334 - 9          | FM3-7368-000 | 312 -            | FM4-0931-000 | 302 -           |
| FL3-3812-000 | 100 - 53         | FM3-7374-000 | 260 -            | FM4-0937-000 | 305 -           |

# NUMERICAL INDEX

## imageRUNNER ADVANCE 8105/8095/8085 Series(Numerical Index)

| PARTS NUMBER | FIGURE & KEY NO. | PARTS NUMBER | FIGURE & KEY NO. | PARTS NUMBER | FIGURE & KEY NO |
|--------------|------------------|--------------|------------------|--------------|-----------------|
| FM4-0939-000 | 304 -            | FM4-1102-000 | 570 - 18         | FS1-1569-000 | 351 - 20        |
| FM4-0943-000 | 114 -            | FM4-1105-000 | 930 -            | FS1-2834-000 | 814 - 5         |
| FM4-0947-000 | 261 -            | FM4-1106-000 | 980 - 3          | FS1-9009-020 | 811 - 46        |
| FM4-0950-000 | 650 -            | FM4-1107-000 | 510 - 7          | FS2-0088-000 | 720 - 11        |
| FM4-0953-000 | 625 -            | FM4-1108-000 | 510 - 7          | FS2-0089-000 | 720 - 12        |
| FM4-0956-000 | 625 - 5          | FM4-3149-000 | 570 -            | FS2-0090-000 | 720 - 13        |
| FM4-0957-000 | 105 - 11         | FM4-3154-000 | 140 -            | FS2-0091-000 | 720 - 14        |
| FM4-0958-000 | 271 -            | FM4-3155-000 | 140 -            | FS2-1256-000 | 811 - 47        |
| FM4-0959-000 | 640 -            | FM4-3158-000 | 810 - 6          | FS2-2001-000 | 720 - 15        |
| FM4-0963-010 | 310 -            | FM4-4314-000 | 980 - 4          | FS2-2002-000 | 720 - 16        |
| FM4-0964-010 | 311 -            | FM4-4315-000 | 140 - 24         | FS2-2036-020 | 510 - 8         |
| FM4-0967-000 | 101 - 34         | FM4-4316-000 | 140 - 39         | FS2-2058-000 | 720 - 17        |
| FM4-0973-000 | 106 - 12         | FM4-4317-000 | 102 - 5          | FS2-6458-000 | 330 - 40        |
| FM4-0974-000 | 109 - 4          | FM4-5128-000 | 140 - 34         | FS2-6458-000 | 336 - 7         |
| FM4-0975-000 | 270 -            | FM4-5129-000 | 140 - 1          | FS2-6458-000 | 770 - 8         |
| FM4-0977-000 | 105 - 12         | FM4-5131-000 | 140 - 2          | FS4-0012-000 | 304 - 28        |
| FM4-0992-000 | 710 - 21         | FM4-5138-000 | 280 - 3          | FS4-0012-000 | 305 - 28        |
| FM4-0994-000 | 710 - 22         | FM4-5141-000 | 330 - 38         | FS4-0160-000 | 304 - 29        |
| FM4-0999-000 | 625 - 6          | FM4-5148-000 | 710 - 23         | FS4-0160-000 | 305 - 29        |
| FM4-1001-000 | 113 - 17         | FM4-5152-000 | 104 - 22         | FS4-2136-000 | 304 - 30        |
| FM4-1004-000 | 107 - 8          | FM4-5153-000 | 351 - 18         | FS4-2136-000 | 305 - 30        |
| FM4-1005-000 | 107 - 9          | FM4-5154-000 | 250 - 7          | FS5-0395-000 | 330 - 41        |
| FM4-1009-000 | 101 - 12         | FM4-5155-000 | 260 - 3          | FS5-1219-000 | 625 - 7         |
| FM4-1011-000 | 101 - 13         | FM4-5156-000 | 332 -            | FS5-1372-000 | 352 - 6         |
| FM4-1012-000 | 101 - 14         | FM4-5158-000 | 810 - 7          | FS5-1474-000 | 330 - 42        |
| FM4-1013-000 | 101 - 15         | FM4-5160-000 | 811 - 43         | FS5-2925-000 | 250 - 9         |
| FM4-1015-000 | 109 - 15         | FM4-5303-000 | 931 -            | FS5-2940-000 | 811 - 49        |
| FM4-1023-000 | 109 - 16         | FM4-5304-000 | 931 -            | FS5-2946-000 | 351 - 22        |
| FM4-1024-000 | 110 - 4          | FM4-5305-000 | 931 -            | FS5-2947-000 | 351 - 23        |
| FM4-1025-000 | 109 - 17         | FM4-5308-000 | 811 - 44         | FS5-2953-020 | 352 - 7         |
| FM4-1029-000 | 770 - 7          | FM4-5309-000 | 620 - 12         | FS5-2958-000 | 101 - 17        |
| FM4-1031-000 | 107 - 16         | FM4-5312-000 | 101 - 16         | FS5-2959-000 | 770 - 9         |
| FM4-1033-000 | 107 - 11         | FM4-5316-000 | 351 -            | FS5-2967-000 | 812 - 8         |
| FM4-1051-000 | 330 - 35         | FM4-5320-000 | 113 - 12         | FS5-6487-000 | 812 - 22        |
| FM4-1063-000 | 334 - 22         | FM4-5398-000 | 334 - 5          | FS5-9162-020 | 810 - 8         |
| FM4-1067-000 | 140 - 38         | FM4-5432-000 | 550 - 7          | FS5-9162-020 | 811 - 50        |
| FM4-1083-000 | 960 - 1          | FM4-5433-000 | 570 - 3          | FS5-9166-020 | 101 - 18        |
| FM4-1084-000 | 964 -            | FM4-5435-000 | 001 - 4          | FS5-9216-020 | 101 - 19        |
| FM4-1085-000 | 963 -            | FM4-5709-000 | 300 - 35         | FS5-9217-010 | 100 - 14        |
| FM4-1086-000 | 140 - 22         | FM4-5713-020 | 136 - 11         | FS5-9227-020 | 330 - 43        |
| FM4-1087-000 | 961 -            | FM4-8569-000 | 900 - 30         | FS5-9438-030 | 620 - 13        |
| FM4-1088-000 | 961 -            | FM4-8571-000 | 930 -            | FS5-9714-000 | 770 - 10        |
| FM4-1089-000 | 110 - 5          | FM4-9809-000 | 330 - 32         | FS6-0028-000 | 625 - 8         |
| FM4-1089-000 | 330 - 36         | FS1-1189-000 | 351 - 19         | FS6-0042-000 | 351 - 24        |
| FM4-1092-000 | 910 -            | FS1-1205-000 | 710 - 24         | FS6-0103-000 | 811 - 51        |
| FM4-1093-000 | 980 - 1          | FS1-1449-000 | 811 - 45         | FS6-0103-000 | 812 - 9         |
| FM4-1094-000 | 980 - 2          | FS1-1508-000 | 103 - 7          | FS6-0105-000 | 811 - 53        |
| FM4-1095-000 | 330 - 37         | FS1-1508-000 | 250 - 8          | FS6-0106-000 | 811 - 54        |
| FM4-1096-000 | 107 - 12         | FS1-1508-000 | 261 - 4          | FS6-0134-000 | 811 - 55        |
| FM4-1098-000 | 962 -            | FS1-1508-000 | 330 - 39         | FS6-0136-000 | 710 - 25        |
| FM4-1100-000 | 962 -            | FS1-1569-000 | 104 - 23         | FS6-0857-000 | 640 - 17        |
| FM4-1102-000 | 550 - 15         | FS1-1569-000 | 313 - 29         | FS6-0972-000 | 710 - 26        |

# NUMERICAL INDEX

## imageRUNNER ADVANCE 8105/8095/8085 Series(Numerical Index)

| PARTS NUMBER | FIGURE & KEY NO. | PARTS NUMBER | FIGURE & KEY NO. | PARTS NUMBER | FIGURE & KEY NO |
|--------------|------------------|--------------|------------------|--------------|-----------------|
| FS6-1058-000 | 313 - 30         | FU5-2160-000 | 351 - 31         | FU7-0265-000 | 640 - 20        |
| FS6-2619-000 | 104 - 15         | FU5-2162-000 | 310 - 35         | FU7-0363-000 | 710 - 31        |
| FS7-0665-000 | 812 - 10         | FU5-2162-000 | 311 - 35         | FU7-0364-000 | 710 - 32        |
| FS7-0891-000 | 811 - 52         | FU5-2165-000 | 101 - 36         | FU7-0526-000 | 106 - 26        |
| FS7-0893-000 | 811 - 63         | FU5-2175-000 | 813 - 6          | FU7-0841-000 | 620 - 15        |
| FS7-0894-000 | 811 - 64         | FU5-2177-000 | 331 - 31         | FU7-2326-000 | 300 - 42        |
| FS7-0895-000 | 811 - 65         | FU5-2178-000 | 101 - 37         | FU7-2327-000 | 300 - 43        |
| FS7-2319-000 | 352 - 9          | FU5-3977-000 | 271 - 18         | FU7-2328-000 | 300 - 44        |
| FS7-2788-000 | 114 - 6          | FU5-8560-000 | 100 - 54         | FU7-2332-000 | 301 - 3         |
| FS7-2994-000 | 720 - 18         | FU5-9035-000 | 104 - 16         | FU7-2332-000 | 303 - 2         |
| FS7-2995-000 | 720 - 8          | FU5-9035-000 | 351 - 32         | FU7-2333-000 | 301 - 4         |
| FU3-0296-000 | 313 - 31         | FU5-9305-000 | 104 - 20         | FU7-2341-000 | 114 - 7         |
| FU3-0297-000 | 313 - 32         | FU5-9305-000 | 351 - 21         | FU7-2366-000 | 310 - 36        |
| FU3-0302-000 | 812 - 11         | FU5-9370-000 | 104 - 21         | FU7-2366-000 | 311 - 37        |
| FU3-0303-000 | 710 - 28         | FU6-0092-000 | 334 - 12         | FU7-2368-000 | 304 - 31        |
| FU3-0303-000 | 711 - 11         | FU6-0119-000 | 334 - 13         | FU7-2368-000 | 305 - 31        |
| FU3-0339-000 | 330 - 44         | FU6-0137-000 | 330 - 47         | FU7-2386-000 | 300 - 45        |
| FU5-0016-000 | 334 - 11         | FU6-0138-000 | 330 - 48         | FU7-2387-000 | 304 - 32        |
| FU5-0183-000 | 310 - 28         | FU6-0139-000 | 331 - 32         | FU7-2387-000 | 305 - 32        |
| FU5-0183-000 | 311 - 28         | FU6-0152-000 | 625 - 10         | FU7-2395-000 | 102 - 7         |
| FU5-0184-000 | 310 - 29         | FU6-0375-000 | 351 - 33         | FU7-2513-000 | 300 - 46        |
| FU5-0184-000 | 311 - 29         | FU6-0414-000 | 335 - 18         | FU7-2514-000 | 300 - 47        |
| FU5-0185-000 | 310 - 30         | FU6-0446-000 | 770 - 12         | FU7-2515-000 | 300 - 48        |
| FU5-0185-000 | 311 - 30         | FU6-0562-000 | 271 - 12         | FU7-2518-000 | 300 - 49        |
| FU5-0186-000 | 310 - 31         | FU6-0603-000 | 271 - 13         | FU7-2687-000 | 332 - 9         |
| FU5-0186-000 | 311 - 31         | FU6-0603-000 | 330 - 49         | FU7-2688-000 | 332 - 10        |
| FU5-0187-000 | 310 - 32         | FU6-0619-000 | 710 - 29         | FU7-2689-000 | 313 - 40        |
| FU5-0187-000 | 311 - 32         | FU6-0620-000 | 710 - 30         | FU7-2692-000 | 770 - 13        |
| FU5-0188-000 | 310 - 33         | FU6-0738-000 | 812 - 12         | FU7-2695-000 | 711 - 12        |
| FU5-0188-000 | 311 - 33         | FU6-1184-000 | 313 - 35         | FU7-2696-000 | 113 - 13        |
| FU5-0204-000 | 261 - 5          | FU6-1185-000 | 313 - 36         | FU7-2697-000 | 334 - 15        |
| FU5-0207-000 | 350 - 6          | FU6-1193-000 | 811 - 56         | FU7-2699-000 | 330 - 52        |
| FU5-0207-000 | 351 - 25         | FU6-1193-000 | 812 - 13         | FU7-2701-000 | 331 - 33        |
| FU5-0236-000 | 271 - 11         | FU6-1194-000 | 625 - 11         | FU7-2702-000 | 330 - 53        |
| FU5-0256-000 | 313 - 33         | FU6-1196-000 | 351 - 34         | FU7-2703-000 | 331 - 34        |
| FU5-0263-000 | 310 - 34         | FU6-1197-000 | 620 - 14         | FU7-2704-000 | 331 - 35        |
| FU5-0263-000 | 311 - 34         | FU6-1199-000 | 330 - 50         | FU7-2705-000 | 333 - 4         |
| FU5-0266-000 | 261 - 6          | FU6-2043-000 | 334 - 14         | FU7-2706-000 | 650 - 12        |
| FU5-0268-000 | 550 - 8          | FU6-2858-000 | 810 - 9          | FU7-2707-000 | 106 - 24        |
| FU5-0268-000 | 570 - 4          | FU6-2925-000 | 313 - 37         | FU7-2708-000 | 570 - 22        |
| FU5-0362-000 | 625 - 9          | FU6-2926-000 | 313 - 38         | FU7-2709-000 | 112 - 5         |
| FU5-1036-000 | 313 - 34         | FU6-2927-000 | 313 - 39         | FU7-2710-000 | 112 - 6         |
| FU5-1046-000 | 351 - 26         | FU6-3047-000 | 332 - 8          | FU7-2711-000 | 710 - 33        |
| FU5-2139-040 | 351 - 27         | FU6-3053-000 | 330 - 51         | FU7-2713-000 | 710 - 35        |
| FU5-2140-000 | 351 - 28         | FU6-8534-000 | 300 - 39         | FU7-2715-000 | 625 - 12        |
| FU5-2141-000 | 350 - 7          | FU6-8535-000 | 300 - 61         | FU7-2838-000 | 331 - 36        |
| FU5-2141-000 | 351 - 29         | FU6-8536-000 | 300 - 62         | FU7-8272-000 | 300 - 50        |
| FU5-2142-000 | 311 - 26         | FU6-8537-000 | 102 - 6          | FU7-8273-000 | 001 - 6         |
| FU5-2147-000 | 351 - 30         | FU6-8538-000 | 300 - 40         | FU7-8279-000 | 100 - 13        |
| FU5-2151-000 | 331 - 29         | FU6-8539-000 | 300 - 41         | FU7-8280-000 | 100 - 13        |
| FU5-2152-000 | 331 - 30         | FU6-8647-000 | 306 - 3          | FU7-8283-000 | 100 - 13        |
| FU5-2154-000 | 330 - 46         | FU6-8861-000 | 900 - 16         | FU7-8288-000 | 100 - 13        |



# NUMERICAL INDEX

## imageRUNNER ADVANCE 8105/8095/8085 Series(Numerical Index)

| PARTS NUMBER | FIGURE & KEY NO. | PARTS NUMBER | FIGURE & KEY NO. | PARTS NUMBER | FIGURE & KEY NO |
|--------------|------------------|--------------|------------------|--------------|-----------------|
| FU7-8494-000 | 100 - 2          | FU9-0050-000 | 261 - 9          | NPN          | 980 -           |
| FU7-8495-000 | 100 - 10         | FU9-0051-000 | 710 - 37         | NPN          | T40 -           |
| FU7-8496-000 | 312 - 14         | FU9-0052-000 | 333 - 5          | RH3-0323-000 | 910 - T         |
| FU7-8497-000 | 312 - 14         | FU9-0053-000 | 333 - 6          | RS5-1567-000 | 313 - 47        |
| FU7-8498-000 | 312 - 14         | FU9-0074-000 | 334 - 17         | VD7-0522-501 | 961 - 1         |
| FU7-8499-000 | 312 - 14         | FU9-0075-000 | 334 - 18         | VD7-2892-501 | 961 - 1         |
| FU8-0079-000 | 770 - 14         | FU9-0078-000 | 620 - 18         | VD7-3422-002 | 910 - 1         |
| FU8-0082-000 | 770 - 15         | FU9-0079-000 | 620 - 19         | VS1-7173-010 | 101 - 21        |
| FU8-0085-000 | 640 - 21         | FU9-0080-000 | 620 - 20         | VS1-7173-014 | 111 - 7         |
| FU8-0182-000 | 313 - 41         | FU9-0082-000 | 331 - 38         | VS1-7173-017 | 900 - 17        |
| FU8-0333-000 | 103 - 8          | FU9-0083-000 | 330 - 57         | VS1-7177-002 | 104 - 24        |
| FU8-0333-000 | 315 - 3          | FU9-0083-000 | 812 - 23         | VS1-7177-002 | 111 - 8         |
| FU8-0333-000 | 330 - 54         | FU9-0152-000 | 313 - 45         | VS1-7177-002 | 310 - 38        |
| FU8-0334-000 | 250 - 10         | FU9-0153-000 | 313 - 46         | VS1-7177-002 | 311 - 38        |
| FU8-0335-000 | 261 - 7          | FU9-0155-000 | 625 - 14         | VS1-7177-002 | 313 - 48        |
| FU8-0505-000 | 811 - 58         | FU9-0156-000 | 812 - 15         | VS1-7177-002 | 330 - 58        |
| FU8-0899-000 | 710 - 36         | FU9-0157-000 | 770 - 17         | VS1-7177-002 | 331 - 39        |
| FU8-0906-000 | 620 - 16         | FU9-0158-000 | 770 - 18         | VS1-7177-002 | 625 - 15        |
| FU8-0907-000 | 620 - 17         | FU9-0159-000 | 710 - 38         | VS1-7177-002 | 710 - 47        |
| FU8-0908-000 | 261 - 8          | FU9-0312-000 | 640 - 18         | VS1-7177-002 | 770 - 19        |
| FU8-2313-000 | 650 - 13         | FU9-0313-000 | 640 - 7          | VS1-7177-002 | 810 - 10        |
| FU8-2315-000 | 811 - 59         | FU9-0314-000 | 330 - 45         | VS1-7177-002 | 900 - 22        |
| FU8-2316-000 | 811 - 60         | FU9-0315-000 | 770 - 11         | VS1-7177-003 | 106 - 14        |
| FU8-2317-000 | 113 - 14         | FY1-0883-000 | 550 - 6          | VS1-7177-003 | 111 - 9         |
| FU8-2317-000 | 313 - 42         | NPN          | 001 -            | VS1-7177-003 | 140 - 25        |
| FU8-2321-000 | 313 - 43         | NPN          | 100 -            | VS1-7177-003 | 313 - 49        |
| FU8-2322-000 | 313 - 44         | NPN          | 101 -            | VS1-7177-003 | 330 - 59        |
| FU8-2343-000 | 330 - 55         | NPN          | 102 -            | VS1-7177-003 | 336 - 8         |
| FU8-2344-000 | 331 - 37         | NPN          | 103 -            | VS1-7177-003 | 350 - 8         |
| FU8-2345-000 | 570 - 5          | NPN          | 104 -            | VS1-7177-003 | 625 - 16        |
| FU8-2347-000 | 101 - 20         | NPN          | 105 -            | VS1-7177-003 | 710 - 40        |
| FU8-2348-000 | 100 - 9          | NPN          | 106 -            | VS1-7177-003 | 810 - 11        |
| FU8-2349-000 | 100 - 44         | NPN          | 107 -            | VS1-7177-003 | 813 - 7         |
| FU8-2361-000 | 304 - 33         | NPN          | 108 -            | VS1-7177-004 | 101 - 22        |
| FU8-2361-000 | 305 - 33         | NPN          | 109 -            | VS1-7177-004 | 106 - 15        |
| FU8-2511-000 | 107 - 17         | NPN          | 110 -            | VS1-7177-004 | 107 - 13        |
| FU8-2515-000 | 770 - 16         | NPN          | 111 -            | VS1-7177-004 | 109 - 6         |
| FU8-2516-000 | 811 - 61         | NPN          | 113 -            | VS1-7177-004 | 111 - 10        |
| FU8-2519-000 | 335 - 23         | NPN          | 136 -            | VS1-7177-004 | 330 - 60        |
| FU8-2522-000 | 550 - 19         | NPN          | 250 -            | VS1-7177-004 | 333 - 7         |
| FU8-2522-000 | 570 - 20         | NPN          | 280 -            | VS1-7177-004 | 710 - 48        |
| FU8-2523-000 | 811 - 48         | NPN          | 303 -            | VS1-7177-004 | 810 - 12        |
| FU8-2526-000 | 331 - 28         | NPN          | 306 -            | VS1-7177-005 | 109 - 7         |
| FU9-0029-000 | 640 - 22         | NPN          | 330 -            | VS1-7177-006 | 109 - 8         |
| FU9-0031-000 | 625 - 13         | NPN          | 331 -            | VS1-7177-006 | 336 - 9         |
| FU9-0032-000 | 335 - 19         | NPN          | 510 -            | VS1-7177-006 | 620 - 21        |
| FU9-0033-000 | 106 - 27         | NPN          | 620 -            | VS1-7177-006 | 625 - 17        |
| FU9-0037-000 | 334 - 16         | NPN          | 810 -            | VS1-7177-006 | 810 - 13        |
| FU9-0037-000 | 640 - 23         | NPN          | 813 -            | VS1-7177-007 | 109 - 9         |
| FU9-0040-000 | 106 - 16         | NPN          | 814 -            | VS1-7177-007 | 140 - 26        |
| FU9-0045-000 | 812 - 14         | NPN          | 900 -            | VS1-7177-007 | 333 - 8         |
| FU9-0048-000 | 330 - 56         | NPN          | 960 -            | VS1-7177-008 | 140 - 27        |

# NUMERICAL INDEX

## imageRUNNER ADVANCE 8105/8095/8085 Series(Numerical Index)

| PARTS NUMBER | FIGURE & KEY NO. | PARTS NUMBER | FIGURE & KEY NO. | PARTS NUMBER | FIGURE & KEY NO |
|--------------|------------------|--------------|------------------|--------------|-----------------|
| VS1-7177-008 | 330 - 61         | X71-9310-000 | 640 - 24         | XD1-1108-218 | 640 - 502       |
| VS1-7177-009 | 810 - 14         | XA9-0228-000 | 550 - 4          | XD1-1206-229 | 770 - 501       |
| VS1-7177-012 | 101 - 24         | XA9-0732-000 | 101 - 29         | XD1-1206-239 | 330 - 502       |
| VS1-7177-012 | 106 - 10         | XA9-0732-000 | 104 - 18         | XD1-3100-805 | 108 - 501       |
| VS1-8412-003 | 330 - 62         | XA9-0732-000 | 304 - 35         | XD1-4200-402 | 101 - 501       |
| VS1-8412-003 | 620 - 22         | XA9-0732-000 | 305 - 35         | XD1-4200-502 | 140 - 501       |
| VS1-8412-007 | 101 - 25         | XA9-0732-000 | 330 - 64         | XD2-2300-602 | 710 - 501       |
| VS1-8412-007 | 302 - 7          | XA9-0732-000 | 331 - 40         | XD2-3100-202 | 106 - 501       |
| VS1-8412-009 | 900 - 18         | XA9-0893-000 | 331 - 41         | XD3-1300-122 | 811 - 502       |
| VS1-8412-009 | 980 - 5          | XA9-0903-000 | 106 - 20         | XD3-2160-082 | 625 - 501       |
| VS1-8412-011 | 301 - 5          | XA9-0926-000 | 300 - 51         | XD3-2200-082 | 335 - 501       |
| VS1-8412-013 | 107 - 14         | XA9-0961-000 | 330 - 65         | XD3-2200-082 | 625 - 502       |
| VS1-8412-013 | 140 - 28         | XA9-1016-000 | 300 - 52         | XD3-2200-102 | 330 - 503       |
| VS1-8412-013 | 303 - 3          | XA9-1031-000 | 306 - 4          | XD3-2200-102 | 332 - 501       |
| VS1-8412-015 | 111 - 11         | XA9-1031-000 | 330 - 66         | XD3-2200-102 | 625 - 503       |
| VS1-8412-017 | 109 - 10         | XA9-1031-000 | 336 - 10         | XD3-2200-102 | 650 - 501       |
| VS1-8412-017 | 110 - 6          | XA9-1031-000 | 810 - 15         | XD3-2200-102 | 770 - 502       |
| VS1-8412-017 | 310 - 37         | XA9-1031-000 | 811 - 27         | XD3-2200-102 | 812 - 501       |
| VS1-8412-017 | 625 - 18         | XA9-1035-000 | 102 - 8          | XD3-2200-122 | 103 - 501       |
| VS1-8412-019 | 107 - 10         | XA9-1090-000 | 106 - 18         | XD3-2200-122 | 304 - 501       |
| VS1-8412-021 | 109 - 11         | XA9-1116-030 | 351 - 35         | XD3-2200-122 | 305 - 501       |
| VS1-8412-025 | 109 - 12         | XA9-1249-010 | 304 - 36         | XD3-2200-122 | 315 - 501       |
| VS1-8412-025 | 980 - 6          | XA9-1249-010 | 305 - 36         | XD3-2200-122 | 330 - 504       |
| VS1-8412-031 | 109 - 13         | XA9-1302-010 | 550 - 5          | XD3-2200-122 | 336 - 501       |
| WC1-5179-000 | 140 - 29         | XA9-1386-000 | 315 - 4          | XD3-2200-122 | 770 - 503       |
| WC2-5680-000 | 301 - 6          | XA9-1386-000 | 332 - 11         | XD3-2200-122 | 811 - 503       |
| WC2-5680-000 | 303 - 4          | XA9-1386-000 | 620 - 24         | XD3-2200-122 | 812 - 502       |
| WC2-5688-000 | 101 - 26         | XA9-1450-000 | 304 - 37         | XD3-2200-262 | 650 - 502       |
| WC4-5125-000 | 101 - 28         | XA9-1450-000 | 305 - 37         | XD3-2300-142 | 310 - 501       |
| WE8-5173-000 | 135 - 29         | XA9-1491-000 | 102 - 9          | XD3-2300-142 | 311 - 501       |
| WE8-5256-000 | 136 - 12         | XA9-1523-000 | 300 - 53         | XD3-2300-142 | 330 - 505       |
| WE8-5780-000 | 101 - 40         | XA9-1523-000 | 312 - 15         | XD9-0067-000 | 811 - 41        |
| WE8-5780-000 | 140 - 31         | XA9-1659-000 | 310 - 40         | XD9-0133-000 | 310 - 42        |
| WG8-5848-000 | 101 - 27         | XA9-1659-000 | 311 - 40         | XD9-0133-000 | 311 - 41        |
| WG8-5848-000 | 103 - 9          | XA9-1659-000 | 350 - 10         | XD9-0134-000 | 101 - 30        |
| WG8-5848-000 | 104 - 17         | XA9-1659-000 | 352 - 11         | XD9-0134-000 | 103 - 10        |
| WG8-5848-000 | 105 - 13         | XA9-1659-000 | 570 - 6          | XD9-0134-000 | 106 - 28        |
| WG8-5848-000 | 106 - 13         | XA9-1659-000 | 625 - 19         | XD9-0134-000 | 107 - 18        |
| WG8-5848-000 | 270 - 3          | XA9-1659-000 | 640 - 16         | XD9-0134-000 | 313 - 53        |
| WG8-5848-000 | 301 - 7          | XA9-1659-000 | 710 - 39         | XD9-0134-000 | 330 - 67        |
| WG8-5848-000 | 302 - 8          | XA9-1659-000 | 812 - 16         | XD9-0134-000 | 331 - 42        |
| WG8-5848-000 | 310 - 39         | XA9-1932-000 | 811 - 57         | XD9-0134-000 | 334 - 19        |
| WG8-5848-000 | 311 - 39         | XA9-1934-000 | 102 - 11         | XD9-0134-000 | 335 - 20        |
| WG8-5848-000 | 313 - 50         | XA9-1934-000 | 304 - 27         | XD9-0134-000 | 350 - 11        |
| WG8-5848-000 | 330 - 63         | XA9-1934-000 | 305 - 27         | XD9-0134-000 | 351 - 36        |
| WG8-5848-000 | 333 - 9          | XA9-1936-000 | 570 - 23         | XD9-0134-000 | 620 - 25        |
| WG8-5848-000 | 350 - 9          | XA9-1945-000 | 810 - 16         | XD9-0134-000 | 625 - 20        |
| WG8-5848-000 | 620 - 23         | XA9-1979-000 | 900 - 7          | XD9-0134-000 | 640 - 14        |
| WG8-5848-000 | 811 - 62         | XD1-1100-225 | 330 - 501        | XD9-0134-000 | 710 - 34        |
| WG8-5848-000 | 813 - 8          | XD1-1104-113 | 640 - 501        | XD9-0134-000 | 770 - 20        |
| WG8-5848-000 | 814 - 3          | XD1-1105-733 | 107 - 501        | XD9-0134-000 | 811 - 42        |
| WS6-5201-000 | 001 - 7          | XD1-1106-235 | 811 - 501        | XD9-0134-000 | 812 - 17        |

# NUMERICAL INDEX

## imageRUNNER ADVANCE 8105/8095/8085 Series(Numerical Index)

| PARTS NUMBER | FIGURE & KEY NO. | PARTS NUMBER | FIGURE & KEY NO. | PARTS NUMBER | FIGURE & KEY NO. |
|--------------|------------------|--------------|------------------|--------------|------------------|
| XD9-0134-000 | 900 - 19         | XD9-0290-000 | 261 - 11         | XZ9-0581-000 | 101 - 23         |
| XD9-0135-000 | 280 - 5          | XD9-0290-000 | 313 - 51         |              |                  |
| XD9-0135-000 | 330 - 68         | XD9-0290-000 | 620 - 28         |              |                  |
| XD9-0135-000 | 331 - 43         | XD9-0290-000 | 710 - 5          |              |                  |
| XD9-0135-000 | 351 - 37         | XD9-0290-000 | 711 - 14         |              |                  |
| XD9-0135-000 | 770 - 21         | XD9-0290-000 | 812 - 20         |              |                  |
| XD9-0136-000 | 103 - 11         | XD9-0292-000 | 271 - 16         |              |                  |
| XD9-0136-000 | 104 - 19         | XD9-0292-000 | 330 - 71         |              |                  |
| XD9-0136-000 | 106 - 17         | XD9-0292-000 | 770 - 26         |              |                  |
| XD9-0136-000 | 271 - 14         | XD9-0300-000 | 250 - 13         |              |                  |
| XD9-0136-000 | 301 - 8          | XD9-0300-000 | 313 - 52         |              |                  |
| XD9-0136-000 | 313 - 26         | XF2-1606-260 | 250 - 14         |              |                  |
| XD9-0136-000 | 315 - 5          | XF2-1606-260 | 260 - 4          |              |                  |
| XD9-0136-000 | 330 - 69         | XF2-1606-260 | 261 - 12         |              |                  |
| XD9-0136-000 | 331 - 44         | XF2-1606-260 | 280 - 4          |              |                  |
| XD9-0136-000 | 332 - 12         | XF2-1606-260 | 330 - 72         |              |                  |
| XD9-0136-000 | 334 - 20         | XF2-1607-040 | 330 - 73         |              |                  |
| XD9-0136-000 | 335 - 21         | XF2-1607-440 | 330 - 74         |              |                  |
| XD9-0136-000 | 336 - 11         | XF2-1610-440 | 330 - 75         |              |                  |
| XD9-0136-000 | 351 - 38         | XF2-4110-440 | 336 - 13         |              |                  |
| XD9-0136-000 | 352 - 2          | XF2-4114-240 | 770 - 27         |              |                  |
| XD9-0136-000 | 620 - 26         | XF2-4129-340 | 109 - 3          |              |                  |
| XD9-0136-000 | 625 - 21         | XG9-0365-000 | 330 - 76         |              |                  |
| XD9-0136-000 | 650 - 14         | XG9-0365-000 | 335 - 24         |              |                  |
| XD9-0136-000 | 710 - 27         | XG9-0365-000 | 350 - 5          |              |                  |
| XD9-0136-000 | 711 - 13         | XG9-0365-000 | 810 - 19         |              |                  |
| XD9-0136-000 | 770 - 22         | XG9-0492-000 | 770 - 28         |              |                  |
| XD9-0136-000 | 810 - 17         | XG9-0506-000 | 332 - 13         |              |                  |
| XD9-0136-000 | 811 - 40         | XG9-0508-000 | 271 - 17         |              |                  |
| XD9-0136-000 | 812 - 18         | XG9-0521-000 | 620 - 2          |              |                  |
| XD9-0137-010 | 101 - 31         | XG9-0563-000 | 811 - 24         |              |                  |
| XD9-0137-010 | 250 - 11         | XG9-0705-000 | 770 - 24         |              |                  |
| XD9-0137-010 | 261 - 10         | XG9-0706-000 | 315 - 7          |              |                  |
| XD9-0137-010 | 271 - 15         | XG9-0706-000 | 335 - 25         |              |                  |
| XD9-0137-010 | 304 - 38         | XG9-0707-000 | 315 - 6          |              |                  |
| XD9-0137-010 | 305 - 38         | XG9-0707-000 | 330 - 77         |              |                  |
| XD9-0137-010 | 310 - 43         | XG9-0709-000 | 250 - 15         |              |                  |
| XD9-0137-010 | 311 - 36         | XG9-0709-000 | 336 - 14         |              |                  |
| XD9-0137-010 | 330 - 70         | XG9-0727-000 | 711 - 8          |              |                  |
| XD9-0137-010 | 332 - 14         | XG9-0737-000 | 310 - 44         |              |                  |
| XD9-0137-010 | 334 - 21         | XG9-0737-000 | 311 - 5          |              |                  |
| XD9-0137-010 | 335 - 22         | XG9-0758-000 | 335 - 29         |              |                  |
| XD9-0137-010 | 336 - 12         | XG9-0773-000 | 335 - 27         |              |                  |
| XD9-0137-010 | 350 - 12         | XG9-0774-000 | 334 - 8          |              |                  |
| XD9-0137-010 | 351 - 39         | XG9-0774-000 | 335 - 26         |              |                  |
| XD9-0137-010 | 620 - 27         | XH9-0132-000 | 900 - 20         |              |                  |
| XD9-0137-010 | 640 - 10         | XH9-0148-000 | 304 - 39         |              |                  |
| XD9-0137-010 | 770 - 23         | XH9-0148-000 | 305 - 39         |              |                  |
| XD9-0137-010 | 810 - 18         | XZ1-1401-205 | 331 - 45         |              |                  |
| XD9-0137-010 | 811 - 37         | XZ9-0379-000 | 101 - 32         |              |                  |
| XD9-0137-010 | 812 - 19         | XZ9-0379-000 | 900 - 21         |              |                  |
| XD9-0290-000 | 250 - 12         | XZ9-0409-020 | 108 - 5          |              |                  |



# imageRUNNER ADVANCE 8105/8095/ 8085 Series(Parts Catalog)

## imageRUNNER ADVANCE 8105 PRO V2

100V JP                    F15-5614-000   HMT00500-

## imageRUNNER ADVANCE 8105 V2

120V  
US,CA,LTN                F15-5634-000   HMU00500-

120V  
US,CA,LTN                F15-5635-000   HMY00500-

GOVERNMENT

230V  
LTN,SG,HK,KR,  
AU                         F15-5644-000   HMX00500-

220V CN                    F15-5654-000   HMY00500-

230V EUR                   F15-5694-000   HMW00500-

## imageRUNNER ADVANCE 8105

120V  
US,CA,LTN                F15-5631-000   GAW00500-

230V  
LTN,SG,HK,KR,  
AU                         F15-5641-000   GBE00500-

230V EUR                   F15-5691-000   GBD00500-

## imageRUNNER ADVANCE 8095 PRO V2

100V JP                    F15-5514-000   HMZ00500-

## imageRUNNER ADVANCE 8095 V2

120V  
US,CA,LTN                F15-5534-000   HNA00500-

|                             |              |           |            |
|-----------------------------|--------------|-----------|------------|
| 120V<br>US,CA,LTN           | F15-5535-000 | HNB00500- | GOVERNMENT |
| 230V<br>LTN,SG,HK,KR,<br>AU | F15-5544-000 | HND00500- |            |
| 220V CN                     | F15-5554-000 | HNE00500- |            |
| 230V EUR                    | F15-5594-000 | HNC00500- |            |

### imageRUNNER ADVANCE 8095

|                             |              |           |  |
|-----------------------------|--------------|-----------|--|
| 120V<br>US,CA,LTN           | F15-5531-000 | GBK00500- |  |
| 230V<br>LTN,SG,HK,KR,<br>AU | F15-5541-000 | GBP00500- |  |
| 230V EUR                    | F15-5591-000 | GBM00500- |  |

### imageRUNNER ADVANCE 8085 PRO V2

|         |              |           |  |
|---------|--------------|-----------|--|
| 100V JP | F15-5414-000 | HNF00500- |  |
|---------|--------------|-----------|--|

### imageRUNNER ADVANCE 8085 V2

|                   |              |           |            |
|-------------------|--------------|-----------|------------|
| 120V<br>US,CA,LTN | F15-5434-000 | HNG00500- |            |
| 120V<br>US,CA,LTN | F15-5435-000 | HNH00500- | GOVERNMENT |
| 230V AU           | F15-5444-000 | HNL00500- |            |
| 230V EUR          | F15-5494-000 | HNK00500- |            |

### imageRUNNER ADVANCE 8085 PRO

|         |              |           |  |
|---------|--------------|-----------|--|
| 100V JP | F15-5411-000 | GBW00500- |  |
|---------|--------------|-----------|--|

# imageRUNNER ADVANCE 8085

**120V**                    **F15-5431-000**   **GBZ00500-**  
**US,CA,LTN**

**230V AU**                **F15-5441-000**   **GCJ00500-**

**230V EUR**              **F15-5491-000**   **GCE00500-**



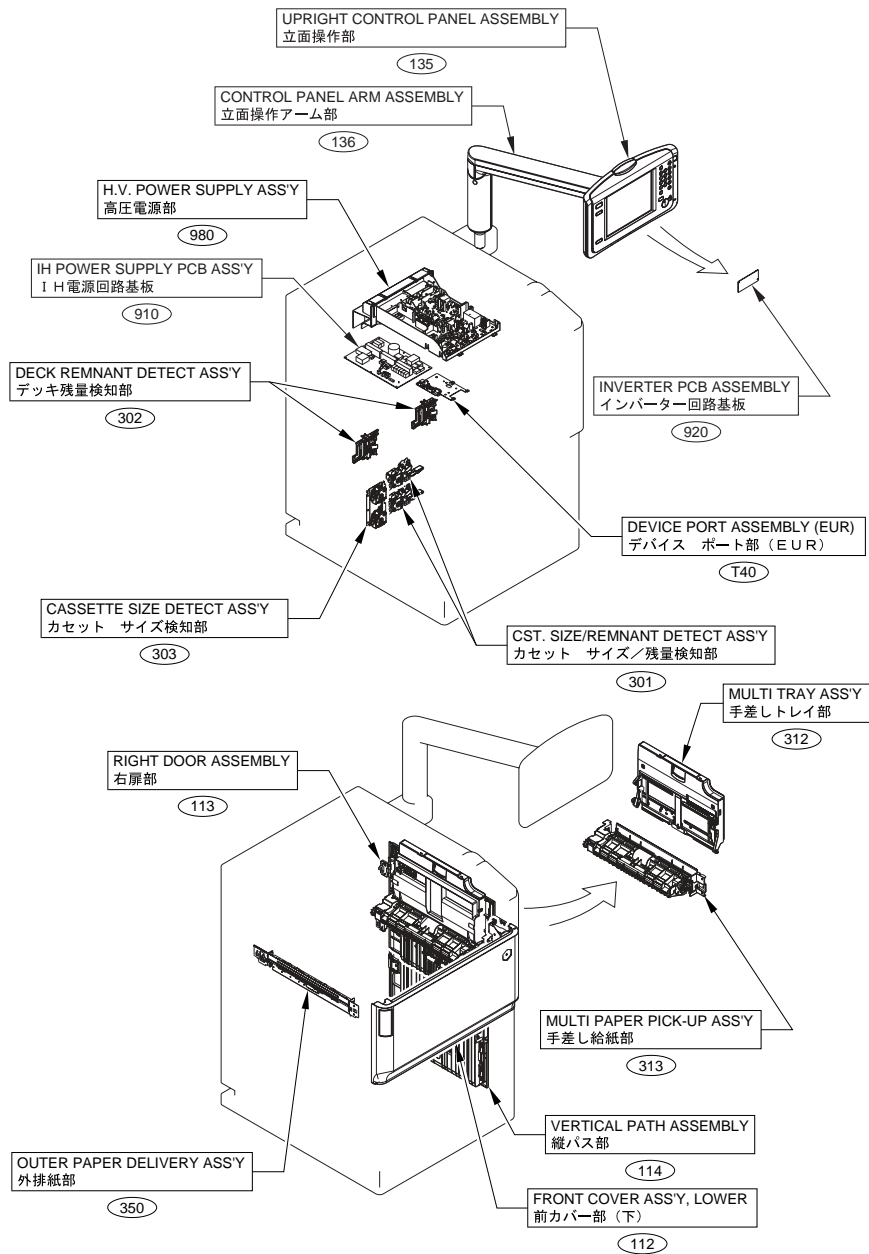


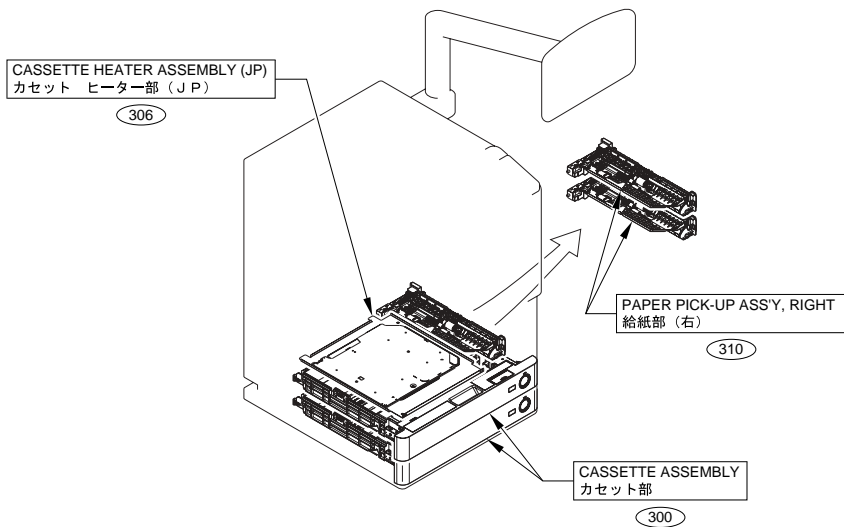
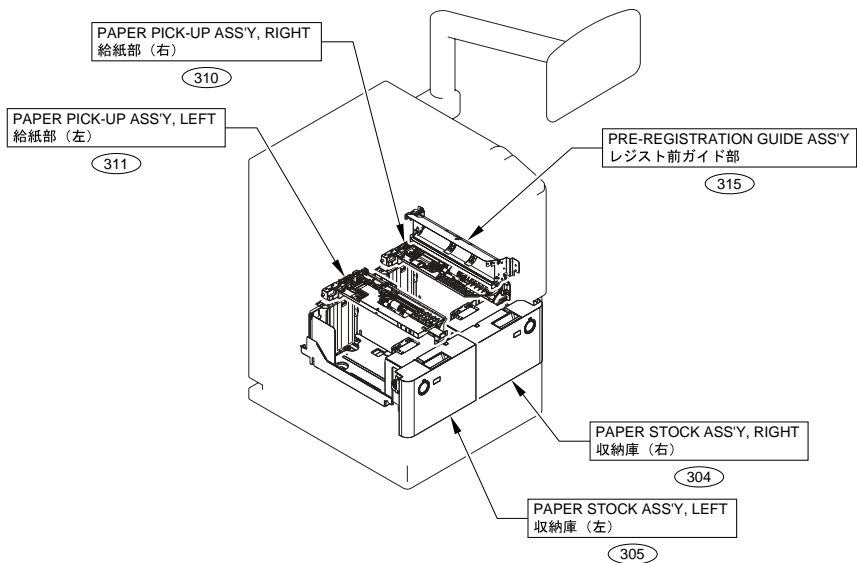
# Contents

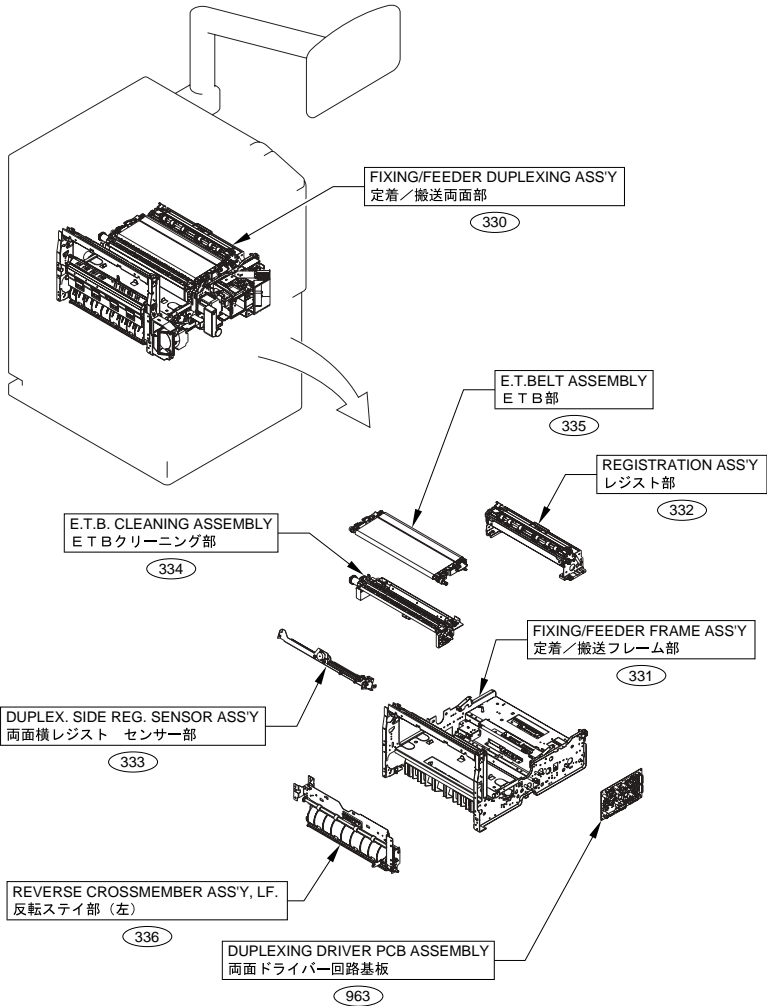
|     |                                      |       |
|-----|--------------------------------------|-------|
| A1  | ASSEMBLY LOCATION DIAGRAM .....      | 2-1   |
| A2  | OPTION PARTS CATALOG LIST .....      | 2-8   |
| 001 | ACCESSOREIS .....                    | 2-9   |
| 100 | EXTERNAL COVERS, PANELS, ETC. ....   | 2-11  |
| 101 | INTERNAL COMPONENTS 1 .....          | 2-16  |
| 102 | INTERNAL COMPONENTS 2 .....          | 2-19  |
| 103 | INTERNAL COMPONENTS 3 .....          | 2-21  |
| 104 | INTERNAL COMPONENTS 4 .....          | 2-23  |
| 105 | INTERNAL COMPONENTS 5 .....          | 2-25  |
| 106 | INTERNAL COMPONENTS 6 .....          | 2-27  |
| 107 | INTERNAL COMPONENTS 7 .....          | 2-30  |
| 108 | MACHINE BOTTOM PLATE.....            | 2-32  |
| 109 | MACHINE REAR PLATE 1 .....           | 2-33  |
| 110 | MACHINE REAR PLATE 2 .....           | 2-35  |
| 111 | MACHINE REAR PLATE 3 .....           | 2-37  |
| 112 | FRONT COVER ASS'Y, LOWER .....       | 2-39  |
| 113 | RIGHT DOOR ASSEMBLY.....             | 2-41  |
| 114 | VERTICAL PATH ASSEMBLY .....         | 2-43  |
| 135 | UPRIGHT CONTROL PANEL ASSEMBLY ..... | 2-44  |
| 136 | CONTROL PANEL ARM ASSEMBLY .....     | 2-47  |
| 140 | POWER CORD TERMINAL ASS'Y .....      | 2-49  |
| 250 | MAIN DRIVE ASS'Y.....                | 2-53  |
| 260 | V. PATH/CST. PICK-UP ASS'Y .....     | 2-55  |
| 261 | LEFT DECK PICK-UP DRIVE ASS'Y .....  | 2-56  |
| 270 | DRUM DRIVE ASS'Y .....               | 2-58  |
| 271 | DEVELOPING DRIVE ASS'Y .....         | 2-59  |
| 280 | DELIVERY REVERSE DRIVE ASS'Y.....    | 2-61  |
| 300 | CASSETTE ASSEMBLY.....               | 2-62  |
| 301 | CST. SIZE/REMNANT DETECT ASS'Y ..... | 2-65  |
| 302 | DECK REMNANT DETECT ASS'Y.....       | 2-66  |
| 303 | CASSETTE SIZE DETECT ASS'Y .....     | 2-67  |
| 304 | PAPER STOCK ASS'Y, RIGHT .....       | 2-68  |
| 305 | PAPER STOCK ASS'Y, LEFT .....        | 2-71  |
| 306 | CASSETTE HEATER ASSEMBLY (JP) .....  | 2-74  |
| 310 | PAPER PICK-UP ASS'Y, RIGHT .....     | 2-75  |
| 311 | PAPER PICK-UP ASS'Y, LEFT .....      | 2-78  |
| 312 | MULTI TRAY ASS'Y .....               | 2-81  |
| 313 | MULTI PAPER PICK-UP ASS'Y .....      | 2-83  |
| 315 | PRE-REGISTRATION GUIDE ASS'Y.....    | 2-86  |
| 330 | FIXING/FEEDER DUPLEXING ASS'Y .....  | 2-87  |
| 331 | FIXING/FEEDER FRAME ASS'Y.....       | 2-93  |
| 332 | REGISTRATION ASS'Y .....             | 2-97  |
| 333 | DUPLEX. SIDE REG. SENSOR ASS'Y ..... | 2-99  |
| 334 | E.T.B. CLEANING ASSEMBLY .....       | 2-100 |
| 335 | E.T.BELT ASSEMBLY .....              | 2-102 |

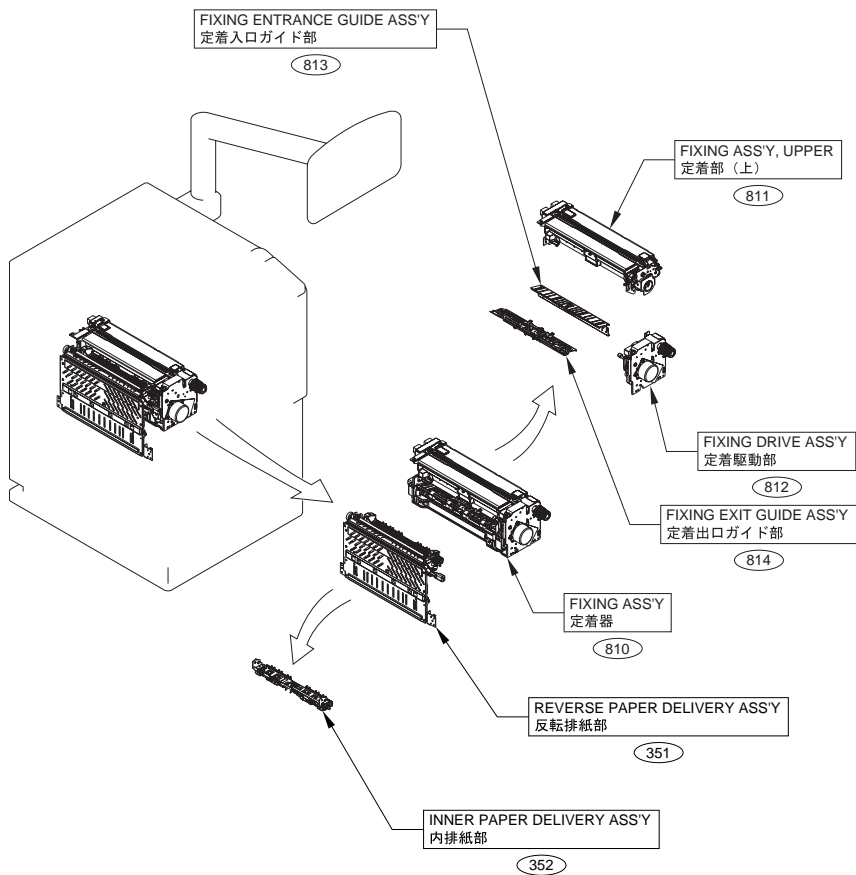
|     |   |       |
|-----|---|-------|
| 336 | REVERSE CROSSMEMBER ASS'Y, LF.....                | 2-104 |
| 350 | OUTER PAPER DELIVERY ASS'Y .....                  | 2-106 |
| 351 | REVERSE PAPER DELIVERY ASS'Y.....                 | 2-108 |
| 352 | INNER PAPER DELIVERY ASS'Y.....                   | 2-112 |
| 460 | LASER SCANNER UNIT .....                          | 2-114 |
| 510 | PHOTO-SENSITIVE DRUM ASSEMBLY .....               | 2-115 |
| 550 | 1ST CORONA ASS'Y .....                            | 2-117 |
| 570 | PRE-TRANSFER CORONA ASS'Y .....                   | 2-119 |
| 620 | HOPPER ASS'Y.....                                 | 2-121 |
| 625 | BUFFER ASS'Y .....                                | 2-123 |
| 640 | DEVELOPING ASS'Y .....                            | 2-125 |
| 650 | DEVELOPING RELEASE ASS'Y.....                     | 2-127 |
| 710 | AP. KIT ASS'Y .....                               | 2-129 |
| 711 | DRUM CLEANING ASS'Y.....                          | 2-133 |
| 720 | SEPARATION CLAW DRIVE ASSEMBLY .....              | 2-135 |
| 770 | WASTE TONER FEED ASSEMBLY.....                    | 2-137 |
| 810 | FIXING ASS'Y.....                                 | 2-140 |
| 811 | FIXING ASS'Y, UPPER .....                         | 2-142 |
| 812 | FIXING DRIVE ASS'Y.....                           | 2-147 |
| 813 | FIXING ENTRANCE GUIDE ASS'Y.....                  | 2-149 |
| 814 | FIXING EXIT GUIDE ASS'Y .....                     | 2-150 |
| 900 | CONTROLLER BOX ASSEMBLY .....                     | 2-151 |
| 910 | IH POWER SUPPLY PCB ASS'Y .....                   | 2-153 |
| 920 | INVERTER PCB ASSEMBLY .....                       | 2-154 |
| 930 | DC CONTROLLER PCB ASS'Y.....                      | 2-155 |
| 931 | MAIN CONTROLLER PCB ASS'Y, 1.....                 | 2-156 |
| 932 | MAIN CONTROLLER PCB ASS'Y, 2.....                 | 2-157 |
| 960 | MAIN DRIVE DRIVER PCB ASS'Y.....                  | 2-158 |
| 961 | AC DRIVER PCB ASS'Y.....                          | 2-159 |
| 962 | NOISE FILTER PCB ASSEMBLY.....                    | 2-160 |
| 963 | DUPLEXING DRIVER PCB ASSEMBLY .....               | 2-161 |
| 964 | FEED DRIVER PCB ASSEMBLY .....                    | 2-162 |
| 980 | H.V. POWER SUPPLY ASS'Y.....                      | 2-163 |
| T40 | DEVICE PORT ASSEMBLY (EUR) .....                  | 2-164 |
| ZZA | MECHANICAL STANDARD PARTS (HOW TO USE) .....      | 2-165 |
| ZZB | MECHANICAL STANDARD PARTS (SCREWS).....           | 2-166 |
| ZZC | MECHANICAL STANDARD PARTS (BOLTS).....            | 2-173 |
| ZZD | MECHANICAL STANDARD PARTS (NUTS).....             | 2-174 |
| ZZE | MECHANICAL STANDARD PARTS (RETAINING RINGS) ..... | 2-175 |

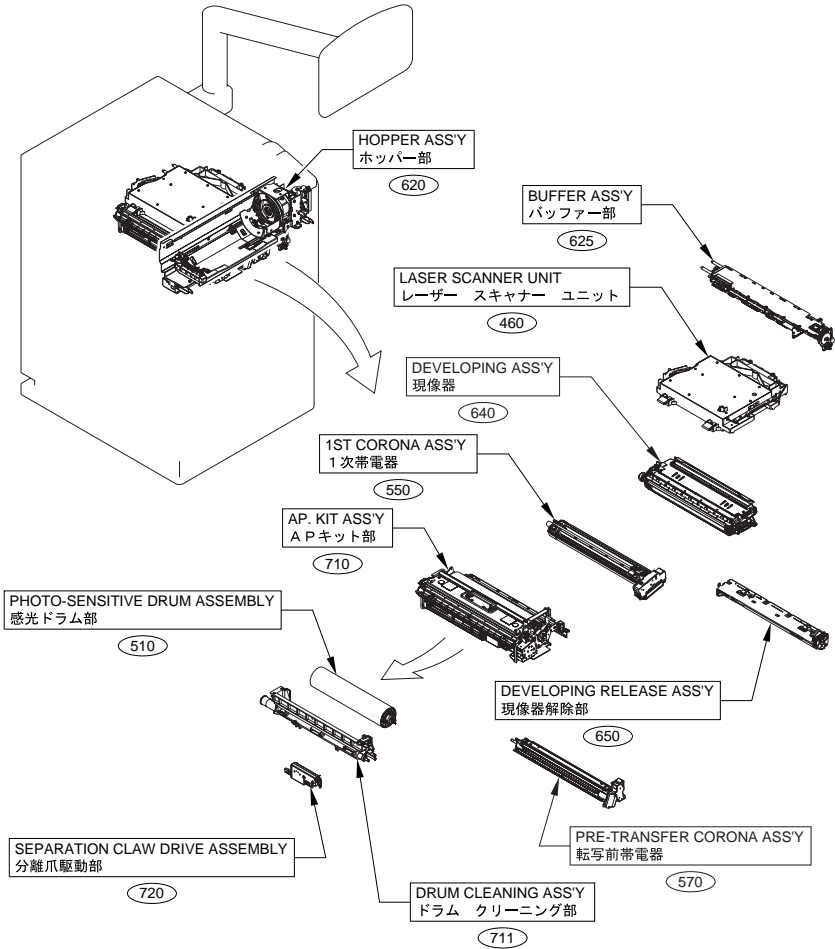
# FIGURE A1 ASSEMBLY LOCATION DIAGRAM

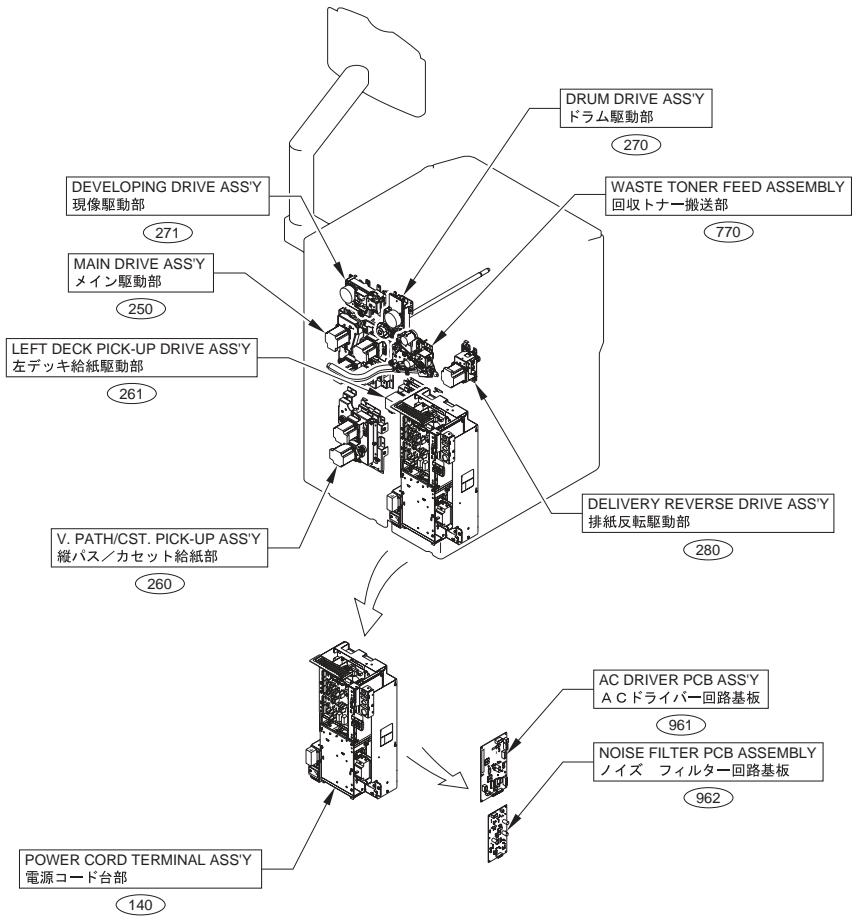




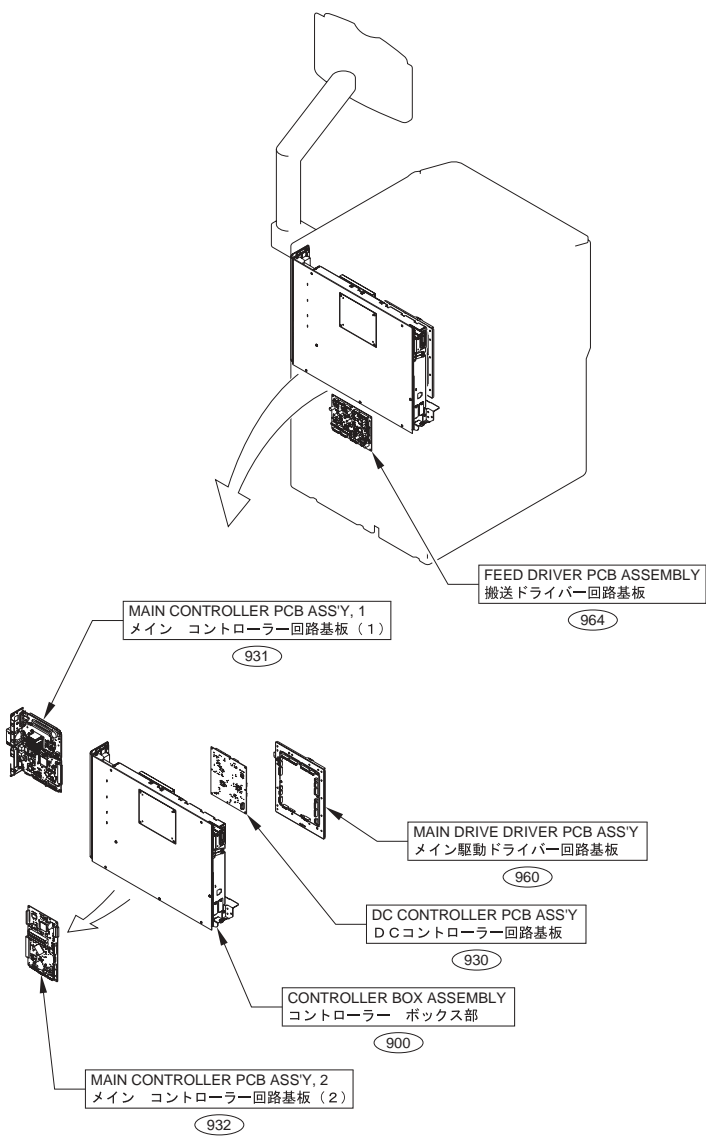










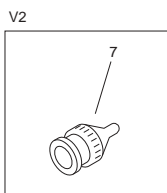
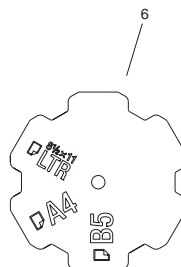
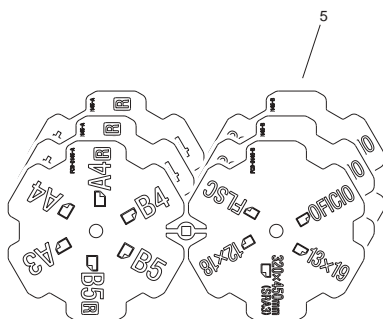
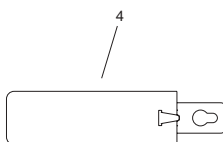
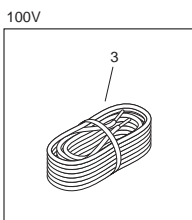
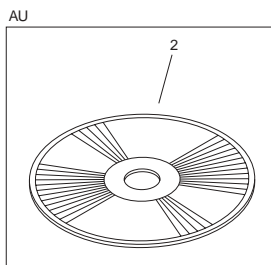
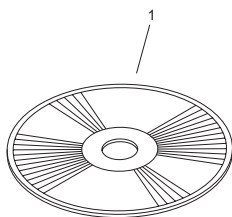


## FIGURE A2 OPTION PARTS CATALOG LIST

This is the table of the machine's options whose parts catalog is issued.  
本機のオプションで、パーツカタログが発行されている機種の一覧である。

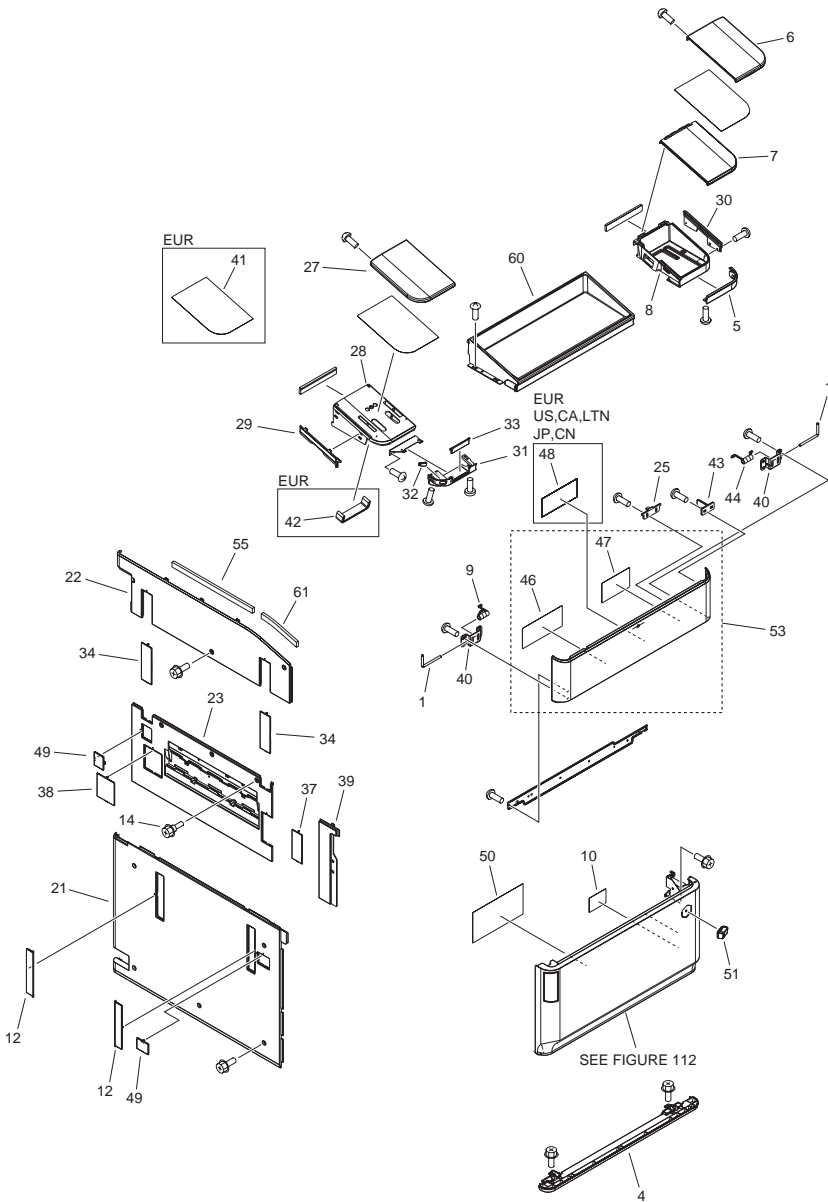
| No. | Model Name(English)   | Model Name(Japanese)  |
|-----|---|---|
| 1   | Cassette Heater Unit-38   | カセットヒーターユニット38  |
| 2   | HDD Data Encryption & Mirroring Kit-C2/<br>HDD Mirroring Kit-E1       | HDDデータ暗号化ミラーリングキット・C2/<br>ミラーリングキット・E1                                |
| 3   | Removable HDD Kit-AD1   | リムーバブルHDDキット・AD1  |
| 4   | Color Image Reader Unit-A1/C1/Duplex Color<br>Image Reader Unit-A1/C1 | Color Image Reader Unit-A1/C1/Duplex Color<br>Image Reader Unit-A1/C1 |
| 5   | ADF Access Handle-A1  | ADFアクセスハンドル・A1  |
| 6   | Printer Cover-B1  | プリンタカバー・B1  |
| 7   | Reader Heater Unit-G1   | リーダーヒーターキット・G1  |
| 8   | Paper Deck Heater Unit-A1   | ペーパーデッキヒーターユニット・A1  |
| 9   | Utility Tray-A1   | ユーティリティトレイ・A1   |
| 10  | CARD READER-C1/D1   | カードリーダーC1/D1  |
| 11  | Copy Card Reader Attachment-A1/A2                                     | コピーカードリーダー取付けキット・A1/A2  |
| 12  | Voice Guidance Kit-F1   | 音声ガイダンスキット・F1   |
| 13  | USB Device Port-A1  | USBデバイスポート・A1   |
| 14  | Wireless LAN Board-B1   | 無線LANボード・B1   |
| 15  | 2.5inch 80GB-C1/250GB-D1 HDD  | オプションHDD 2.5inch 80GB・C1/<br>250GB・D1                                 |
| 16  | Expansion Bus-F1  | PCIバス拡張キット・F1   |
| 17  | IPSec Board-B2  | IPSecセキュリティボード・B2   |
| 18  | Image Data Analyzer Board-A1  | イメージ解析ボード・A1  |
| 19  | Multimedia Reader/Writer-A1   | マルチメディアリーダー/ライター・A1   |
| 20  | Serial Interface Kit-K1   | シリアルインターフェースキット・K1  |
| 21  | Copy Control Interface Kit-A1   | コントロールインターフェースキット・A1  |
| 22  | (JAPAN ONLY)  | iR-ADV課金装置接続キット・A1  |
| 23  | POD DECK LITE-A1  | PODデッキライト・A1  |
| 24  | Puncher Unit-BE1/BF1/BG1/BH1  | パンチャーユニット・BE1<br>/BF1/BG1/BH1   |
| 25  | Professional Puncher-B1/C1  | プロフェッショナルパンチャー・B1/C1  |
| 26  | Professional Puncher Integration Unit-B1                              | インテグレーションユニット・B1  |
| 27  | Inner Booklet Trimmer-A1  | インナートリマー・A1   |
| 28  | Staple Finisher-D1/Booklet Finisher-D1                                | ステイプルフィニッシャー・D1<br>中綴じフィニッシャー・D1                                      |
| 29  | Document Insertion Unit-K1  | インサーター・K1   |
| 30  | Paper Folding Unit-H1   | ペーパーフォールディングユニット・H1   |
| 31  | Paper Deck Unit-C1  | ペーパーデッキユニット・C1  |
| 32  | imagePASS-U1  | (日本仕向けなし)   |
| 33  | (JAPAN ONLY)  | モバイル接続キット・A1  |

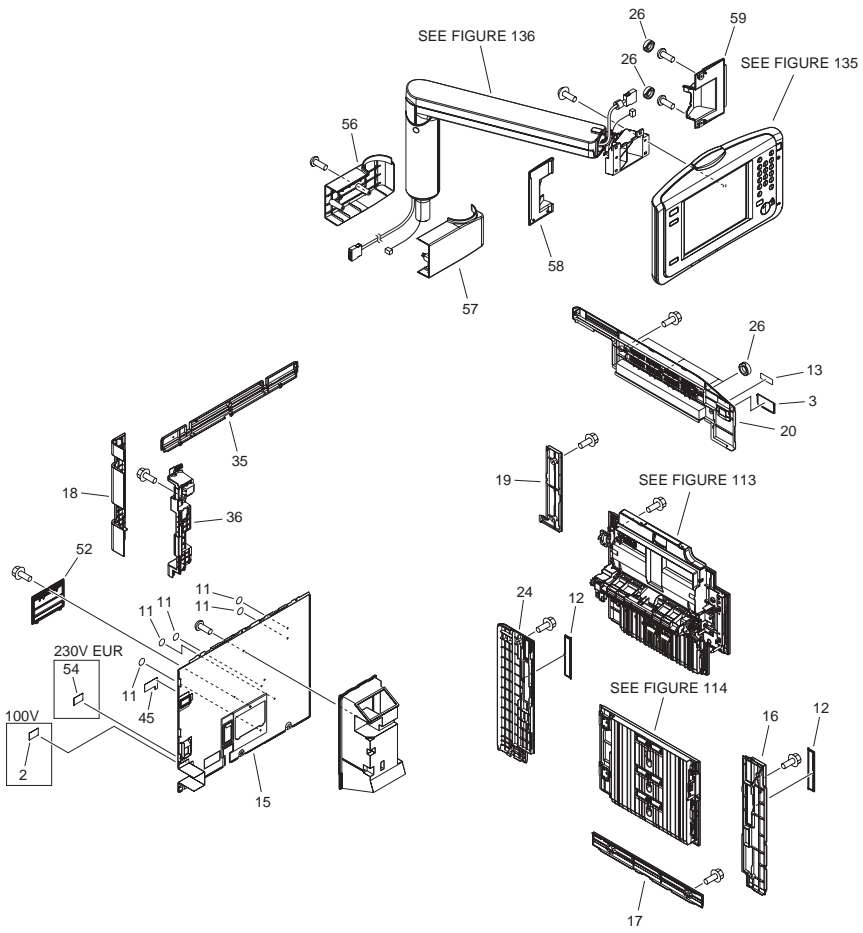
# FIGURE 001 ACCESSOREIS



| FIGURE & KEY NO. | PARTS NUMBER | RANK | Q'TY | DESCRIPTION                  | SERIAL NUMBER/REMARKS                                 | SVC |
|------------------|--------------|------|------|------------------------------|---|-----|
| Fig.001          | NPN          |      | RF   | ACCESSOREIS                  |   |     |
| 1                | FK3-0408-000 |      | 1    | CD-ROM, SOFTWARE FOR LIPS/LX | Japanese EXCEPT V2                                    |     |
| 1                | FK3-0083-000 |      | 1    | CD-ROM, SOFTWARE FOR LIPS/LX | Japanese V2   |     |
| 1                | FK3-0410-000 |      | 1    | CD-ROM, SOFTWARE FOR UFR II  | English EXCEPT V2                                     |     |
| 1                | FK3-0085-000 |      | 1    | CD-ROM, SOFTWARE FOR UFR II  | English V2  |     |
| 1                | FK3-0092-000 |      | 1    | CD-ROM, SOFTWARE FOR UFR II  | English,Simplified Chinese,Traditional Chinese,Korean |     |
| 1                | FK3-0412-000 |      | 1    | CD-ROM, SOFTWARE FOR UFR II  | English,French,Italian,German,Spanish EXCEPT V2       |     |
| 1                | FK3-0091-000 |      | 1    | CD-ROM, SOFTWARE FOR UFR II  | English,French,Italian,German,Spanish V2              |     |
| 2                | FK3-0409-000 |      | 1    | CD-ROM, SOFTWARE FOR MEAP    | AU  |     |
| 3                | FK2-0979-000 |      | 1    | CABLE, GROUNDING             | 100V  |     |
| 4                | FM4-5435-000 |      | 1    | CLEANING SHEET UNIT          |   |     |
| 5                | FC9-0145-000 |      | 3    | PLATE, SIZE INDICATION       |   |     |
| 6                | FU7-8273-000 |      | 1    | PLATE, SIZE INDICATION       |   |     |
| 7                | WS6-5201-000 |      | 1    | TERMINATOR                   | V2  |     |

# FIGURE 100 EXTERNAL COVERS, PANELS, ETC.





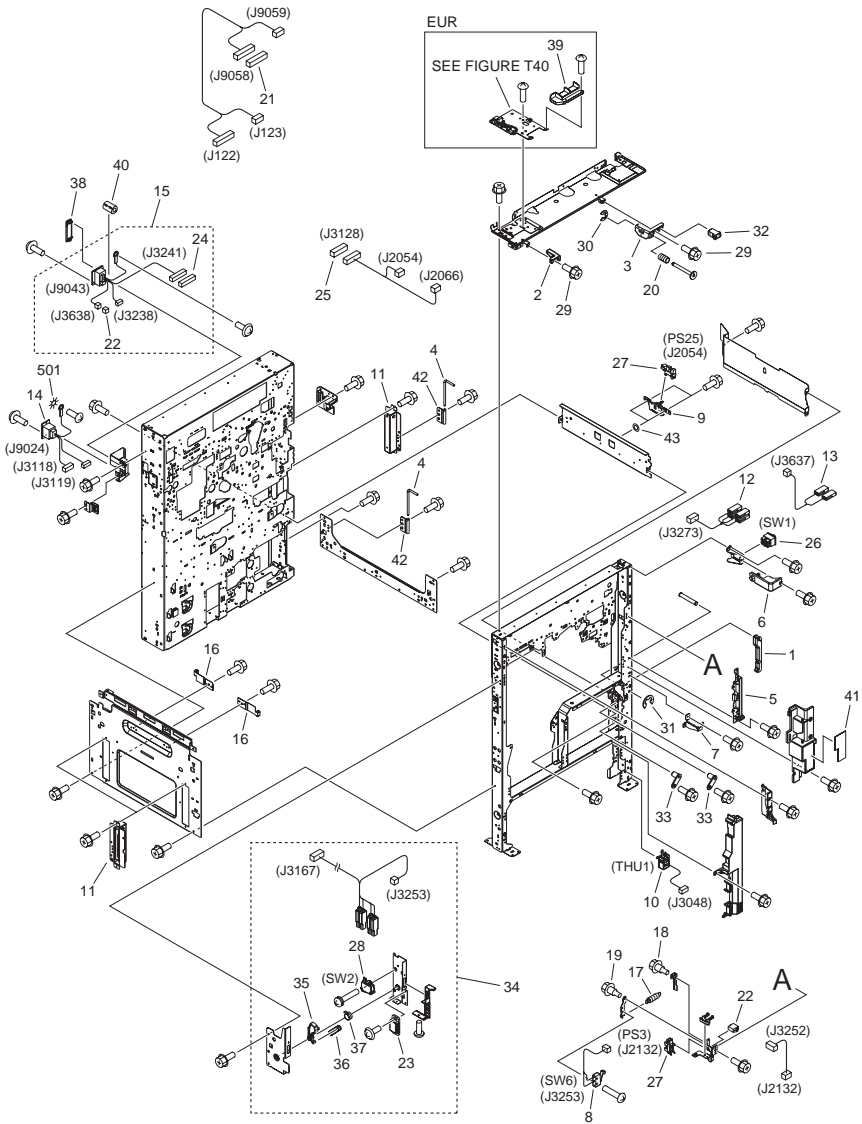
| FIGURE & KEY NO. | PARTS NUMBER | RANK | Q'TY | DESCRIPTION                   | SERIAL NUMBER/REMARKS | SVC |
|------------------|--------------|------|------|-------------------------------|-----------------------|-----|
| Fig.100          | NPN          |      | RF   | EXTERNAL COVERS, PANELS, ETC. |                       |     |
| 1                | FB1-7173-000 |      | 2    | PIN                           |                       |     |
| 2                | FU7-8494-000 |      | 1    | LABEL, GROUNDING CAUTION      | 100V                  |     |
| 3                | FC8-1844-000 |      | 1    | COVER, MAIN SWITCH            |                       |     |
| 4                | FC8-1876-000 |      | 1    | COVER, CASSETTE, LOWER        |                       |     |
| 5                | FC8-1877-000 |      | 1    | COVER, CORNER, RIGHT          |                       |     |
| 6                | FC8-2366-000 |      | 1    | COVER, UPPER RIGHT            |                       |     |
| 7                | FC8-2367-000 |      | 1    | COVER, FRONT UPPER, RIGHT     |                       |     |
| 8                | FC8-2368-000 |      | 1    | CASE, RIGHT                   |                       |     |
| 9                | FU8-2348-000 |      | 1    | SPRING, TORSION               |                       |     |
| 10               | FU7-8495-000 |      | 1    | LABEL, WIRE HEIGHT            |                       |     |
| 11               | FC8-6109-000 |      | 5    | SEAL                          |                       |     |
| 12               | FC8-7033-000 |      | 4    | COVER, KNOB                   |                       |     |
| 13               | FU7-8279-000 |      | 1    | LABEL, MAIN POWER             | US,LTN,SG,HK,KR,AU    |     |
| 13               | FU7-8280-000 |      | 1    | LABEL, MAIN POWER             | CN                    |     |
| 13               | FU7-8283-000 |      | 1    | LABEL, MAIN POWER             | JP                    |     |
| 13               | FU7-8288-000 |      | 1    | LABEL, MAIN POWER             | EUR                   |     |
| 14               | FS5-9217-010 |      | 5    | SCREW, STEPPED, M4            |                       |     |
| 15               | FC8-9566-000 |      | 1    | COVER, REAR LOWER             |                       |     |
| 16               | FC9-0077-000 |      | 1    | COVER, RIGHT FRONT            |                       |     |
| 17               | FC9-0078-000 |      | 1    | COVER, RIGHT LOWER            |                       |     |
| 18               | FC9-0080-010 |      | 1    | COVER, LEFT REAR              |                       |     |
| 19               | FC9-0081-000 |      | 1    | COVER, RIGHT REAR, 2          |                       |     |
| 20               | FC9-0088-000 |      | 1    | COVER, RIGHT UPPER            |                       |     |
| 21               | FC9-0152-000 |      | 1    | COVER, LEFT, LOWER            |                       |     |
| 22               | FC9-0155-000 |      | 1    | COVER, LEFT UPPER             |                       |     |
| 23               | FC9-0156-000 |      | 1    | COVER, PAPER DELIVERY         |                       |     |
| 24               | FC9-0157-000 |      | 1    | COVER, WASTE TONER CONTAINER  |                       |     |
| 25               | FC9-0162-000 |      | 1    | LOCK, PUSH                    |                       |     |
| 26               | FC9-0311-000 |      | 6    | CAP                           |                       |     |
| 27               | FC9-0376-000 |      | 1    | COVER, UPPER LEFT             |                       |     |
| 28               | FC9-0377-000 |      | 1    | COVER, FRONT UPPER, LEFT      |                       |     |

| FIGURE & KEY NO. | PARTS NUMBER | R<br>A<br>N<br>K | Q'TY | DESCRIPTION                   | SERIAL NUMBER/<br>REMARKS | S<br>V<br>C |
|------------------|--------------|------------------|------|-------------------------------|---------------------------|-------------|
| 29               | FC9-0381-000 |                  | 1    | COVER, SMALL, LEFT            |                           |             |
| 30               | FC9-0382-000 |                  | 1    | COVER, SMALL, RIGHT           |                           |             |
| 31               | FC9-3907-000 |                  | 1    | COVER, SMALL, LEFT FRONT      |                           |             |
| 32               | FC9-3909-000 |                  | 1    | WINDOW, RECEIVE               |                           |             |
| 33               | FC9-3911-000 |                  | 1    | COVER, SMALL, LEFT FRONT 2    |                           |             |
| 34               | FC9-3934-000 |                  | 2    | COVER, BLANKING               |                           |             |
| 35               | FC9-5464-000 |                  | 1    | COVER, UPPER REAR             |                           |             |
| 36               | FC9-6959-010 |                  | 1    | COVER, INNER, REAR LEFT       |                           |             |
| 37               | FC9-7040-000 |                  | 1    | COVER, BLANKING, 1            |                           |             |
| 38               | FC9-7041-000 |                  | 1    | COVER, BLANKING, 2            |                           |             |
| 39               | FC9-7044-000 |                  | 1    | COVER, LEFT FRONT             |                           |             |
| 40               | FC9-7047-000 |                  | 2    | HINGE, DOOR                   |                           |             |
| 41               | FC9-7520-000 |                  | 1    | SHEET, CASE                   | EUR                       |             |
| 42               | FC9-7521-000 |                  | 1    | TAPE, HOOK AND LOOP FASTENER  | EUR                       |             |
| 43               | FC9-8073-000 |                  | 1    | FLAG, BOTTLE DOOR SENSOR      |                           |             |
| 44               | FU8-2349-000 |                  | 1    | SPRING, TORSION               |                           |             |
| 45               | FC9-9049-000 |                  | 1    | LABEL, DRUM HEATER            |                           |             |
| 46               | FC9-9055-000 |                  | 1    | LABEL, BOTTLE INSERT CAUTION  |                           |             |
| 47               | FC9-9057-000 |                  | 1    | LABEL, LEVER OPERATOR CAUTION |                           |             |
| 48               | FC9-9056-000 |                  | 1    | LABEL, TONER TYPE             | EUR                       |             |
| 48               | FC9-9059-000 |                  | 1    | LABEL, TONER TYPE             | US,CA,LTN                 |             |
| 48               | FC9-9060-000 |                  | 1    | LABEL, TONER TYPE             | JP,CN                     |             |
| 49               | FC9-9103-000 |                  | 2    | COVER, BLANKING, 3            |                           |             |
| 50               | FL3-3872-000 |                  | 1    | LABEL, SERVICE                |                           |             |
| 51               | FL3-1185-000 |                  | 1    | EMBLEM                        |                           |             |
| 52               | FL3-2142-000 |                  | 1    | COVER, FILTER CASE            |                           |             |
| 53               | FL3-3812-000 |                  | 1    | COVER, FRONT, UPPER           |                           |             |
| 54               | FU5-8560-000 |                  | 1    | LABEL, GROUNDING CAUTION      | 230V EUR                  |             |
| 55               | FC9-8050-000 |                  | 1    | SEAL, REAR                    |                           |             |
| 56               | FC9-0342-000 |                  | 1    | COVER, BASE, REAR             |                           |             |
| 57               | FC9-0343-000 |                  | 1    | COVER, BASE, FRONT            |                           |             |
| 58               | FC9-3843-000 |                  | 1    | COVER, JOINT, LEFT            |                           |             |



| FIGURE<br>& KEY<br>NO. | PARTS<br>NUMBER | R<br>A<br>N<br>K | Q'TY | DESCRIPTION         | SERIAL NUMBER/<br>REMARKS | S<br>V<br>C |
|------------------------|-----------------|------------------|------|---------------------|---------------------------|-------------|
| 59                     | FC9-3844-000    |                  | 1    | COVER, JOINT, RIGHT |                           |             |
| 60                     | FM3-9909-000    |                  | 1    | COVER, UPPER CENTER |                           |             |
| 61                     | FC9-8049-000    |                  | 1    | SEAL, FRONT         |                           |             |

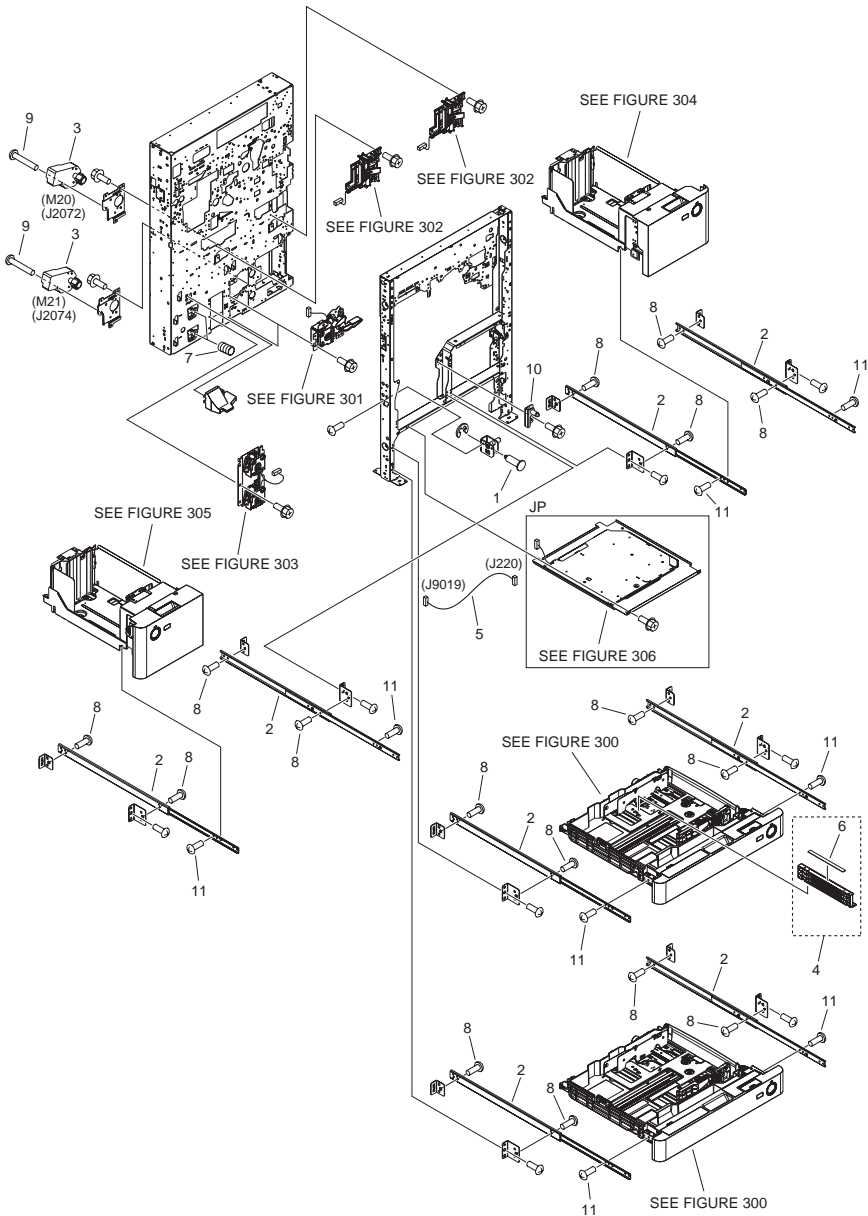
# FIGURE 101 INTERNAL COMPONENTS 1



| FIGURE & KEY NO. | PARTS NUMBER | RANK | Q'TY | DESCRIPTION                    | SERIAL NUMBER/REMARKS | SVC |
|------------------|--------------|------|------|--------------------------------|-----------------------|-----|
| Fig.101          | NPN          |      | RF   | INTERNAL COMPONENTS 1          |                       |     |
| 1                | FB2-8094-020 |      | 1    | KNOB, 1                        |                       |     |
| 2                | FC9-9198-000 |      | 1    | RAIL, BOTTLE LIMIT, LEFT       |                       |     |
| 3                | FC8-9452-000 |      | 1    | RAIL, BOTTLE LIMIT, RIGHT      |                       |     |
| 4                | FC8-9488-000 |      | 2    | SHAFT, HINGE                   |                       |     |
| 5                | FC8-9490-000 |      | 1    | HOOK, DOOR, RIGHT              |                       |     |
| 6                | FC9-4356-000 |      | 1    | COVER, MAIN POWER PROTECTION   |                       |     |
| 7                | FL3-1240-000 |      | 1    | HINGE, LOWER                   |                       |     |
| 8                | FL3-1271-000 |      | 1    | CABLE, MULTI DOOR SWITCH       | SW6                   |     |
| 9                | FL3-2813-000 |      | 1    | SENSOR FLAG UNIT               |                       |     |
| 10               | FM3-7307-000 |      | 1    | ENVIRONMENT SENSOR ASS'Y       | THU1                  |     |
| 11               | FM3-7327-000 |      | 3    | KNOB ASSEMBLY                  |                       |     |
| 12               | FM4-1009-000 |      | 1    | CABLE, MAIN SWITCH             |                       |     |
| 13               | FM4-1011-000 |      | 1    | CABLE, MAIN SWITCH DC          |                       |     |
| 14               | FM4-1012-000 |      | 1    | CABLE, READER CONNECTOR        |                       |     |
| 15               | FM4-1013-000 |      | 1    | CABLE, FINISHER CONNECTOR      |                       |     |
| 16               | FM4-5312-000 |      | 2    | PRESSURE PLATE ASS'Y           |                       |     |
| 17               | FS5-2958-000 |      | 1    | SPRING, TENSION                |                       |     |
| 18               | FS5-9166-020 |      | 1    | SCREW, STEPPED, M4             |                       |     |
| 19               | FS5-9216-020 |      | 1    | SCREW, STEPPED, M4X6           |                       |     |
| 20               | FU8-2347-000 |      | 1    | SPRING, COMPRESSION            |                       |     |
| 21               | VS1-7173-010 |      | 1    | CONNECTOR, SNAP TIGHT, 10P, W  |                       |     |
| 22               | VS1-7177-004 |      | 2    | CONNECTOR, SNAP TIGHT, BK      |                       |     |
| 23               | XZ9-0581-000 |      | 1    | CATCH,MAGNET                   |                       |     |
| 24               | VS1-7177-012 |      | 1    | CONNECTOR, SNAP TIGHT, BK      |                       |     |
| 25               | VS1-8412-007 |      | 1    | CONNECTOR, SNAP TIGHT, BL      |                       |     |
| 26               | WC2-5688-000 |      | 1    | SWITCH, POWER TOGGLE           | SW1                   |     |
| 27               | WG8-5848-000 |      | 2    | PHOTO-INTERRUPTER,GP1A173LCS0F | PS3,PS25              |     |
| 28               | WC4-5125-000 |      | 1    | SWITCH,SENSITIVE               | SW2                   |     |
| 29               | XA9-0732-000 |      | 2    | SCREW,RS,M4                    |                       |     |
| 30               | XD9-0134-000 |      | 1    | RING, E                        |                       |     |
| 31               | XD9-0137-010 |      | 1    | RING, E                        |                       |     |

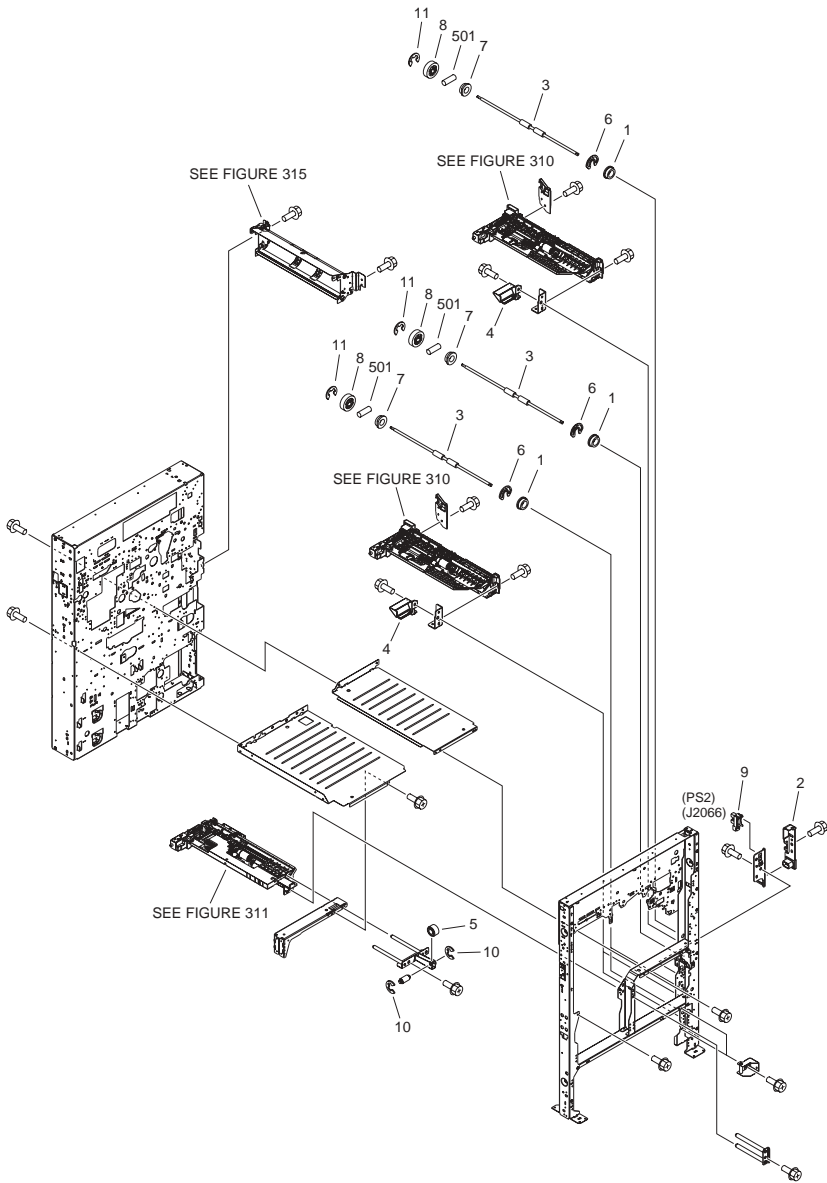
| FIGURE & KEY NO. | PARTS NUMBER | R<br>A<br>N<br>K | Q'TY | DESCRIPTION                 | SERIAL NUMBER/<br>REMARKS | S<br>V<br>C |
|------------------|--------------|------------------|------|-----------------------------|---------------------------|-------------|
| 32               | XZ9-0379-000 |                  | 1    | LATCH                       | EUR                       |             |
| 33               | FC9-4117-000 |                  | 2    | PIN, POSITIONING            |                           |             |
| 34               | FM4-0967-000 |                  | 1    | DOOR SWITCH ASS'Y           |                           |             |
| 35               | FC5-1635-000 |                  | 1    | LEVER, SWITCH               |                           |             |
| 36               | FU5-2165-000 |                  | 1    | SPRING, TENSION             |                           |             |
| 37               | FU5-2178-000 |                  | 1    | SPRING, TORSION             |                           |             |
| 38               | FC0-0205-000 |                  | 1    | COVER, CONNECTOR            |                           |             |
| 39               | FC9-9197-000 |                  | 1    | COVER, INNER, FRONT         |                           |             |
| 40               | WE8-5780-000 |                  | 1    | CORE,FERRITE                |                           |             |
| 41               | FC9-8683-000 |                  | 1    | LABEL, LASER CAUTION, UPPER |                           |             |
| 42               | FC8-7352-000 |                  | 2    | PLATE, HINGE                |                           |             |
| 43               | FC0-3227-000 |                  | 2    | SHEET, SPACER               |                           |             |
| 501              | XD1-4200-402 |                  | 1    | WASHER, TOOTHED LOCK, M4    |                           |             |

# FIGURE 102 INTERNAL COMPONENTS 2



| FIGURE & KEY NO. | PARTS NUMBER | R<br>A<br>N<br>K | Q'TY | DESCRIPTION                    | SERIAL NUMBER/<br>REMARKS | S<br>V<br>C |
|------------------|--------------|------------------|------|--------------------------------|---------------------------|-------------|
| Fig.102          | NPN          |                  | RF   | INTERNAL COMPONENTS 2          |                           |             |
| 1                | FC5-2544-000 |                  | 1    | SCREW, ADJUSTMENT, M6X16       |                           |             |
| 2                | FC9-3904-000 |                  | 8    | RAIL, SLIDE                    |                           |             |
| 3                | FK2-0016-000 |                  | 2    | MOTOR, DC                      | M20,M21                   |             |
| 4                | FL2-8948-000 |                  | 1    | PLATE, BACK END LIMIT          |                           |             |
| 5                | FM4-4317-000 |                  | 1    | CABLE, CASSETTE HEATER         |                           |             |
| 6                | FU6-8537-000 |                  | 1    | LABEL, INDEX PAPER GUIDE       |                           |             |
| 7                | FU7-2395-000 |                  | 2    | SPRING, COMPRESSION            |                           |             |
| 8                | XA9-1035-000 |                  | AR   | SCREW,M4X4                     |                           |             |
| 9                | XA9-1491-000 |                  | 6    | SCREW,W/WASHER PAN HEAD, M3X30 |                           |             |
| 10               | FL3-0244-000 |                  | 1    | PLATE, DECK POSITIONING, LEFT  |                           |             |
| 11               | XA9-1934-000 |                  | AR   | SCREW, M4X4                    |                           |             |

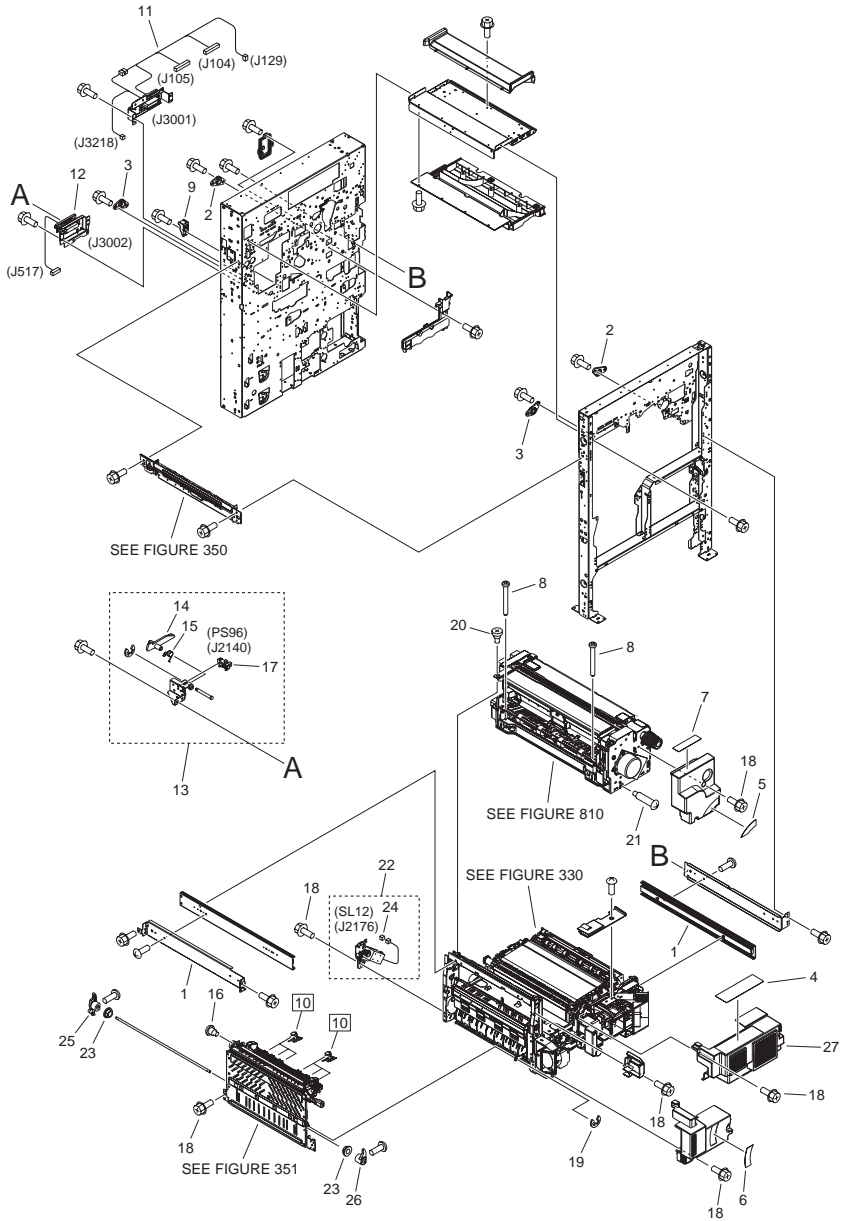
# FIGURE 103 INTERNAL COMPONENTS 3



| FIGURE & KEY NO. | PARTS NUMBER | R<br>A<br>N<br>K | Q'TY | DESCRIPTION                    | SERIAL NUMBER/<br>REMARKS | S<br>V<br>C |
|------------------|--------------|------------------|------|--------------------------------|---------------------------|-------------|
| Fig.103          | NPN          |                  | RF   | INTERNAL COMPONENTS 3          |                           |             |
| 1                | FA9-2112-000 |                  | 4    | BUSHING, PL                    |                           |             |
| 2                | FC8-2700-000 |                  | 1    | MOUNT, HOOK                    |                           |             |
| 3                | FC8-9486-000 |                  | 4    | ROLLER, PAPER FEED             |                           |             |
| 4                | FC9-4084-000 |                  | 3    | GUIDE, PAPER EXHAUST, RIGHT    |                           |             |
| 5                | FC9-9145-000 |                  | 1    | SPACER, INNER PAPER DELIVERY   |                           |             |
| 6                | FC5-2715-000 |                  | 4    | RING, RETAINING                |                           |             |
| 7                | FS1-1508-000 |                  | 4    | BUSHING                        |                           |             |
| 8                | FU8-0333-000 |                  | 4    | GEAR, 24T                      |                           |             |
| 9                | WG8-5848-000 |                  | 1    | PHOTO-INTERRUPTER,GP1A173LCS0F | PS2                       |             |
| 10               | XD9-0134-000 |                  | 2    | RING, E                        |                           |             |
| 11               | XD9-0136-000 |                  | 4    | RING, E                        |                           |             |
| 501              | XD3-2200-122 |                  | 4    | PIN, PARALLEL                  |                           |             |

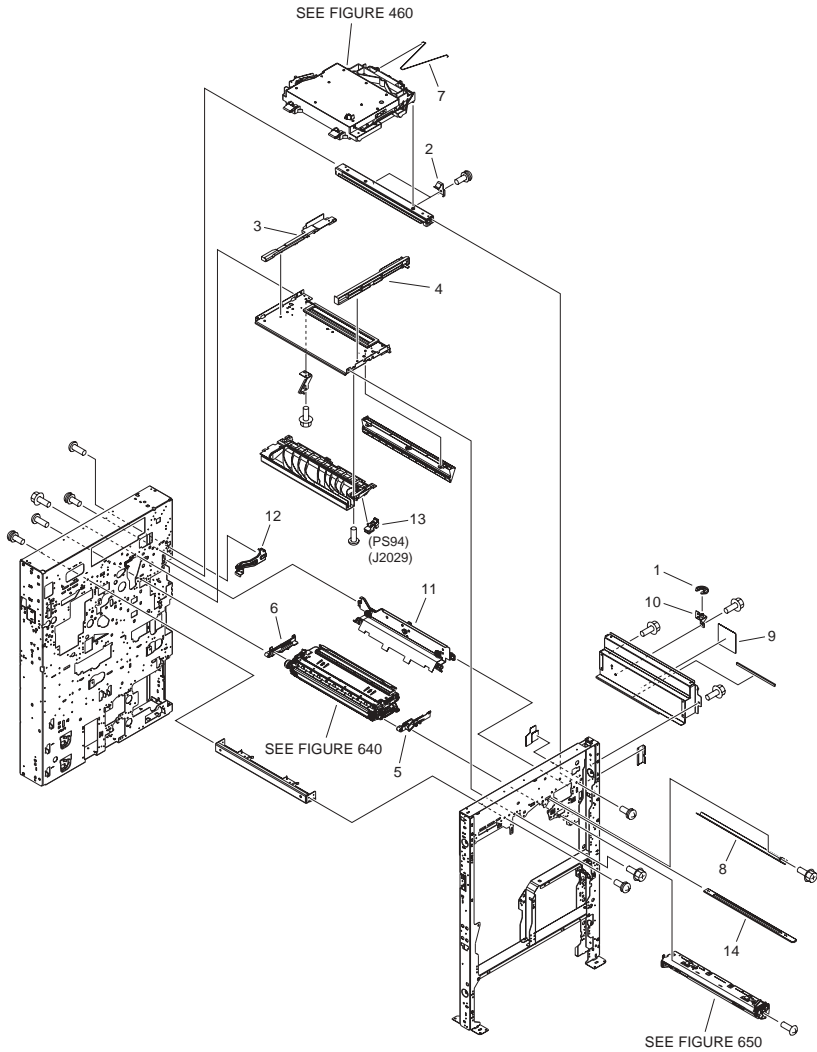


# FIGURE 104 INTERNAL COMPONENTS 4



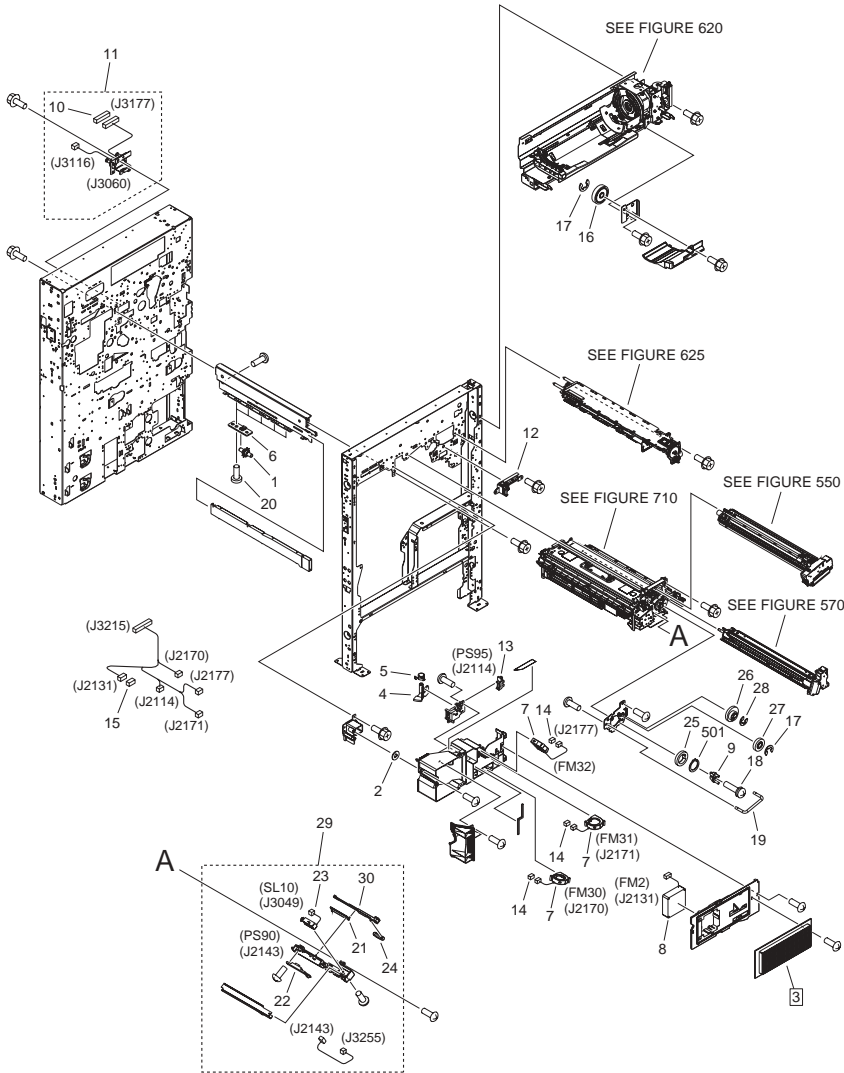
| FIGURE & KEY NO. | PARTS NUMBER | R<br>A<br>N<br>K | Q'TY | DESCRIPTION                    | SERIAL NUMBER/<br>REMARKS | S<br>V<br>C |
|------------------|--------------|------------------|------|--------------------------------|---------------------------|-------------|
| Fig.104          | NPN          |                  | RF   | INTERNAL COMPONENTS 4          |                           |             |
| 1                | FC9-5089-000 |                  | 2    | RAIL, SLIDE                    |                           |             |
| 2                | FC9-5584-000 |                  | 2    | BUSHING                        |                           |             |
| 3                | FC9-5585-000 |                  | 2    | BUSHING                        |                           |             |
| 4                | FC9-9032-000 |                  | 1    | LABEL, FINGER NIP CAUTION      |                           |             |
| 5                | FC9-9033-000 |                  | 1    | LABEL, OPERATION, UPPER        |                           |             |
| 6                | FC9-9034-000 |                  | 1    | LABEL, OPERATION, LOWER        |                           |             |
| 7                | FC9-9066-000 |                  | 1    | LABEL, JAM CLEARING            |                           |             |
| 8                | FC9-9100-000 |                  | 2    | SCREW, S, M4X50                |                           |             |
| 9                | FC9-9137-000 |                  | 1    | LATCH                          |                           |             |
| 10               | FB5-3625-000 |                  | 6    | CLAW, SEPARATING               | [DP]                      |             |
| 11               | FM3-7351-000 |                  | 1    | CABLE, FIXING DRAWER           |                           |             |
| 12               | FM4-0885-010 |                  | 1    | CABLE, FIXING/FEEDER DRAWER    |                           |             |
| 13               | FM4-0908-000 |                  | 1    | HANDLE SENSOR MOUNT ASS'Y      |                           |             |
| 14               | FC8-9569-000 |                  | 1    | FLAG, HANDLE SENSOR            |                           |             |
| 15               | FS6-2619-000 |                  | 1    | SPRING, TORSION                |                           |             |
| 16               | FU5-9035-000 |                  | 1    | SCREW, STEPPED, M3X3           |                           |             |
| 17               | WG8-5848-000 |                  | 1    | PHOTO-INTERRUPTER,GP1A173LCS0F | PS96                      |             |
| 18               | XA9-0732-000 |                  | AR   | SCREW,RS,M4                    |                           |             |
| 19               | XD9-0136-000 |                  | 1    | RING, E                        |                           |             |
| 20               | FU5-9305-000 |                  | 1    | SCREW, STEPPED                 |                           |             |
| 21               | FU5-9370-000 |                  | 1    | SCREW,STEPPED,M4               |                           |             |
| 22               | FM4-5152-000 |                  | 1    | ESTRANGEMENT SOLENOID ASSY     | SL12                      |             |
| 23               | FS1-1569-000 |                  | 2    | BUSHING                        |                           |             |
| 24               | VS1-7177-002 |                  | 1    | CONNECTOR, SNAP TIGHT, BK      |                           |             |
| 25               | FC9-5461-000 |                  | 1    | ARM, ROLLER ESTRANGEMENT, REAR |                           |             |
| 26               | FC9-7846-000 |                  | 1    | ARM, ROLLER ESTRANGEMENT,FRONT |                           |             |
| 27               | FC8-9678-000 |                  | 1    | CCOVER, FIXING/FEEDER, RIGHT   |                           |             |

# FIGURE 105 INTERNAL COMPONENTS 5



| FIGURE & KEY NO. | PARTS NUMBER | R<br>A<br>N<br>K | Q'TY | DESCRIPTION                    | SERIAL NUMBER/<br>REMARKS | S<br>V<br>C |
|------------------|--------------|------------------|------|--------------------------------|---------------------------|-------------|
| Fig.105          | NPN          |                  | RF   | INTERNAL COMPONENTS 5          |                           |             |
| 1                | FC5-2715-000 |                  | 1    | RING, RETAINING                |                           |             |
| 2                | FC8-7034-000 |                  | 2    | SPRING, LEAF                   |                           |             |
| 3                | FC8-7038-000 |                  | 1    | RAIL, SCANNER, REAR            |                           |             |
| 4                | FC8-7039-000 |                  | 1    | RAIL, SCANNER, FRONT           |                           |             |
| 5                | FC8-9577-000 |                  | 1    | RAIL, DEVELOPING, FRONT        |                           |             |
| 6                | FC8-9576-000 |                  | 1    | RAIL, DEVELOPING, REAR         |                           |             |
| 7                | FC9-5579-000 |                  | 1    | WIRE, SUPPORT                  |                           |             |
| 8                | FC9-7439-000 |                  | 1    | RAIL, POTENTIAL SENSOR         |                           |             |
| 9                | FC9-8684-000 |                  | 1    | LABEL, LASER CAUTION, LOWER    |                           |             |
| 10               | FL3-3871-000 |                  | 1    | MOUNT, HINGE                   |                           |             |
| 11               | FM4-0957-000 |                  | 1    | DEVELOPING PRESSURE ASS'Y      |                           |             |
| 12               | FM4-0977-000 |                  | 1    | DEV. HIGH VOLTAGE CONTACT UNIT |                           |             |
| 13               | WG8-5848-000 |                  | 1    | PHOTO-INTERRUPTER,GP1A173LCS0F | PS94                      |             |
| 14               | FL3-2141-000 |                  | 1    | GLASS, DUST-PROOF              |                           |             |

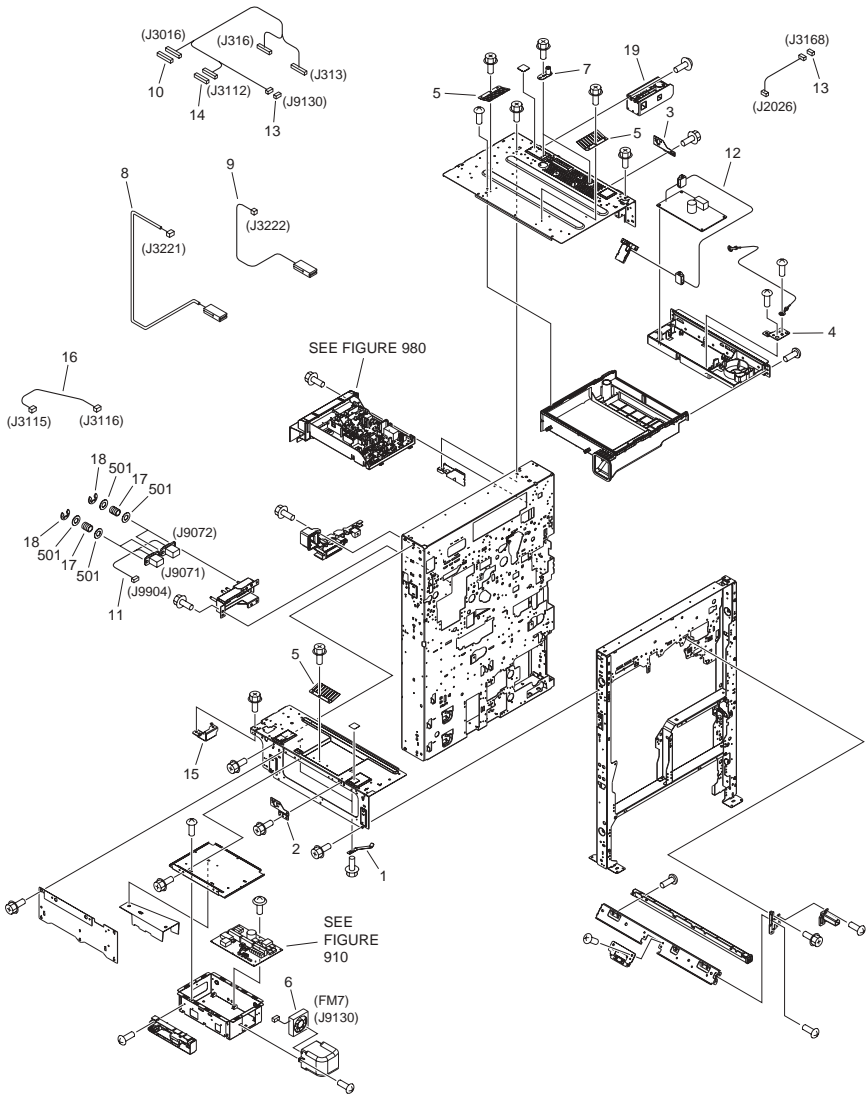
# FIGURE 106 INTERNAL COMPONENTS 6



| FIGURE & KEY NO. | PARTS NUMBER | R<br>A<br>N<br>K | Q'TY | DESCRIPTION                    | SERIAL NUMBER/<br>REMARKS | S<br>V<br>C |
|------------------|--------------|------------------|------|--------------------------------|---------------------------|-------------|
| Fig.106          | NPN          |                  | RF   | INTERNAL COMPONENTS 6          |                           |             |
| 1                | FB1-8776-000 |                  | 5    | ROWEL                          |                           |             |
| 2                | FC2-2121-000 |                  | 1    | WASHER                         |                           |             |
| 3                | FC8-9564-000 |                  | 1    | FILTER, DUST                   | [DP]                      |             |
| 4                | FC9-6163-000 |                  | 1    | FLAG, SENSOR                   |                           |             |
| 5                | FC9-6164-000 |                  | 1    | SPRING, TORSION                |                           |             |
| 6                | FC9-8981-000 |                  | 5    | MOUNT, ROWEL                   |                           |             |
| 7                | FK2-3149-000 |                  | 3    | FAN                            | FM30,FM31,FM32            |             |
| 8                | FK2-7678-000 |                  | 1    | FAN                            | FM2                       |             |
| 9                | FL2-0469-000 |                  | 1    | HOLDER, DRUM FIXED             |                           |             |
| 10               | VS1-7177-012 |                  | 1    | CONNECTOR, SNAP TIGHT, BK      |                           |             |
| 11               | FM3-7302-000 |                  | 1    | CABLE, AP. KIT DRAWER          |                           |             |
| 12               | FM4-0973-000 |                  | 1    | MOUNT,PRE-TRANS.CORONA CONTACT |                           |             |
| 13               | WG8-5848-000 |                  | 1    | PHOTO-INTERRUPTER,GP1A173LCS0F | PS95                      |             |
| 14               | VS1-7177-003 |                  | 3    | CONNECTOR, SNAP TIGHT, BK      |                           |             |
| 15               | VS1-7177-004 |                  | 1    | CONNECTOR, SNAP TIGHT, BK      |                           |             |
| 16               | FU9-0040-000 |                  | 1    | GEAR, 33T                      |                           |             |
| 17               | XD9-0136-000 |                  | 2    | RING, E                        |                           |             |
| 18               | XA9-1090-000 |                  | 1    | SCREW,W/WASHER,M5X25           |                           |             |
| 19               | FC9-4868-000 |                  | 1    | HANDLE, FRONT                  |                           |             |
| 20               | XA9-0903-000 |                  | AR   | SCREW, M3X5                    |                           |             |
| 21               | FC8-9669-000 |                  | 1    | SHUTTER                        |                           |             |
| 22               | FK2-7234-000 |                  | 1    | SENSOR UNIT, PHOTO             | PS90                      |             |
| 23               | FL3-5029-000 |                  | 1    | SOLENOID                       | SL10                      |             |
| 24               | FU7-2707-000 |                  | 1    | SPRING, TENSION                |                           |             |
| 25               | FC7-4302-000 |                  | 1    | GEAR, 27T                      |                           |             |
| 26               | FU7-0526-000 |                  | 1    | GEAR, 20T                      |                           |             |
| 27               | FU9-0033-000 |                  | 1    | GEAR, 16T                      |                           |             |
| 28               | XD9-0134-000 |                  | 1    | RING, E                        |                           |             |
| 29               | FM3-7298-000 |                  | 1    | PATCH SENSOR ASSY              |                           |             |
| 30               | FC8-9667-000 |                  | 1    | LINK, SHUTTER                  |                           |             |

| FIGURE<br>& KEY<br>NO. | PARTS<br>NUMBER | R<br>A<br>N<br>K | Q'TY | DESCRIPTION | SERIAL NUMBER/<br>REMARKS | S<br>V<br>C |
|------------------------|-----------------|------------------|------|-------------|---------------------------|-------------|
| 501                    | XD2-3100-202    |                  | 1    | C RING      |                           |             |

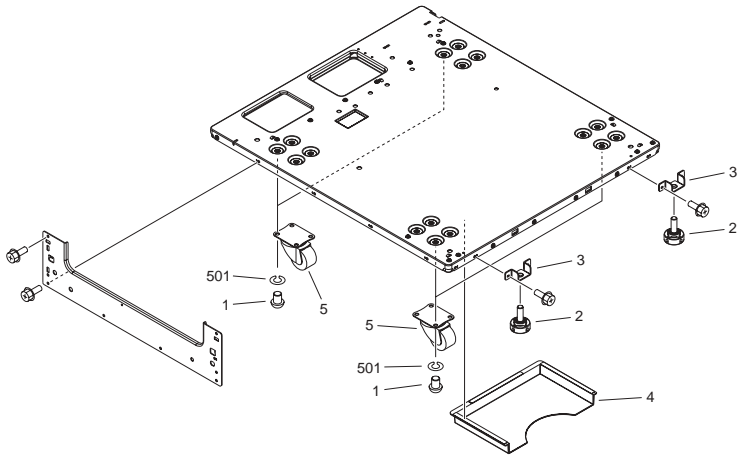
# FIGURE 107 INTERNAL COMPONENTS 7





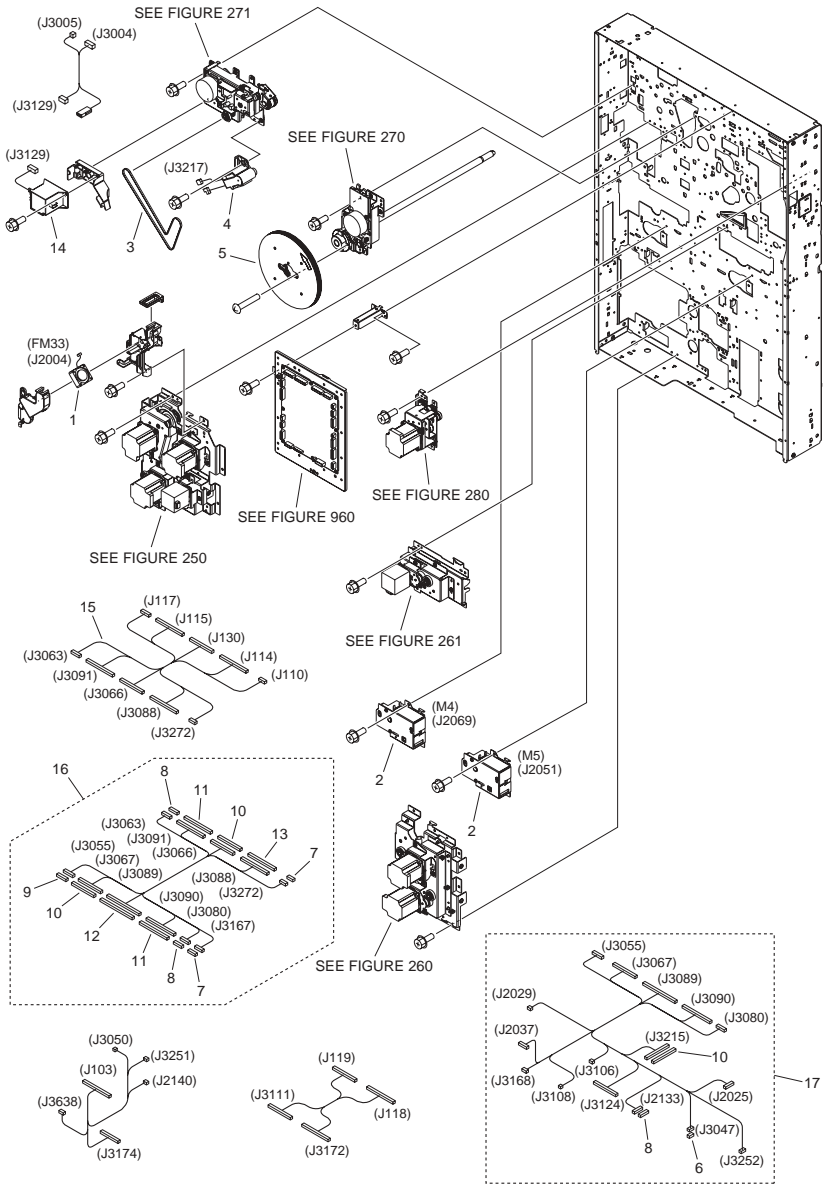
| FIGURE & KEY NO. | PARTS NUMBER | R<br>A<br>N<br>K | Q'TY | DESCRIPTION                    | SERIAL NUMBER/<br>REMARKS | S<br>V<br>C |
|------------------|--------------|------------------|------|--------------------------------|---------------------------|-------------|
| Fig.107          | NPN          |                  | RF   | INTERNAL COMPONENTS 7          |                           |             |
| 1                | FC6-3462-000 |                  | 2    | PLATE, GROUNDING               |                           |             |
| 2                | FC8-7026-000 |                  | 1    | PLATE, READER FIXED, LEFT      |                           |             |
| 3                | FC8-7027-000 |                  | 1    | PLATE, READER FIXED, RIGHT     |                           |             |
| 4                | FC9-4888-000 |                  | 1    | PLATE, GROUNDING               |                           |             |
| 5                | FC9-9161-000 |                  | 3    | PLATE, GROUNDING               |                           |             |
| 6                | FK2-7678-000 |                  | 1    | FAN                            | FM7                       |             |
| 7                | FL2-8926-000 |                  | 2    | PIN, READER POSITIONING        |                           |             |
| 8                | FM4-1004-000 |                  | 1    | CABLE, DEVELOPING HIGH VOLTAGE |                           |             |
| 9                | FM4-1005-000 |                  | 1    | CABLE, SEPARATION HIGH VOLTAGE |                           |             |
| 10               | VS1-8412-019 |                  | 1    | CONNECTOR, SNAP TIGHT, BL      |                           |             |
| 11               | FM4-1033-000 |                  | 1    | CABLE, IH DRAWER               |                           |             |
| 12               | FM4-1096-000 |                  | 1    | POTENTIAL MEASURING PCB ASS'Y  |                           |             |
| 13               | VS1-7177-004 |                  | 2    | CONNECTOR, SNAP TIGHT, BK      |                           |             |
| 14               | VS1-8412-013 |                  | 1    | CONNECTOR, SNAP TIGHT, BL      |                           |             |
| 15               | FL3-2160-000 |                  | 1    | HINGE, CONTROLLER BOX, UPPER   |                           |             |
| 16               | FM4-1031-000 |                  | 1    | CABLE, AC DRUM HEATER          |                           |             |
| 17               | FU8-2511-000 |                  | 4    | SPRING, COMPRESSION            |                           |             |
| 18               | XD9-0134-000 |                  | 4    | RING, E                        |                           |             |
| 19               | FC9-0320-000 |                  | 1    | BASE, FRAME                    |                           |             |
| 501              | XD1-1105-733 |                  | 8    | WASHER, PLAIN                  |                           |             |

# FIGURE 108 MACHINE BOTTOM PLATE



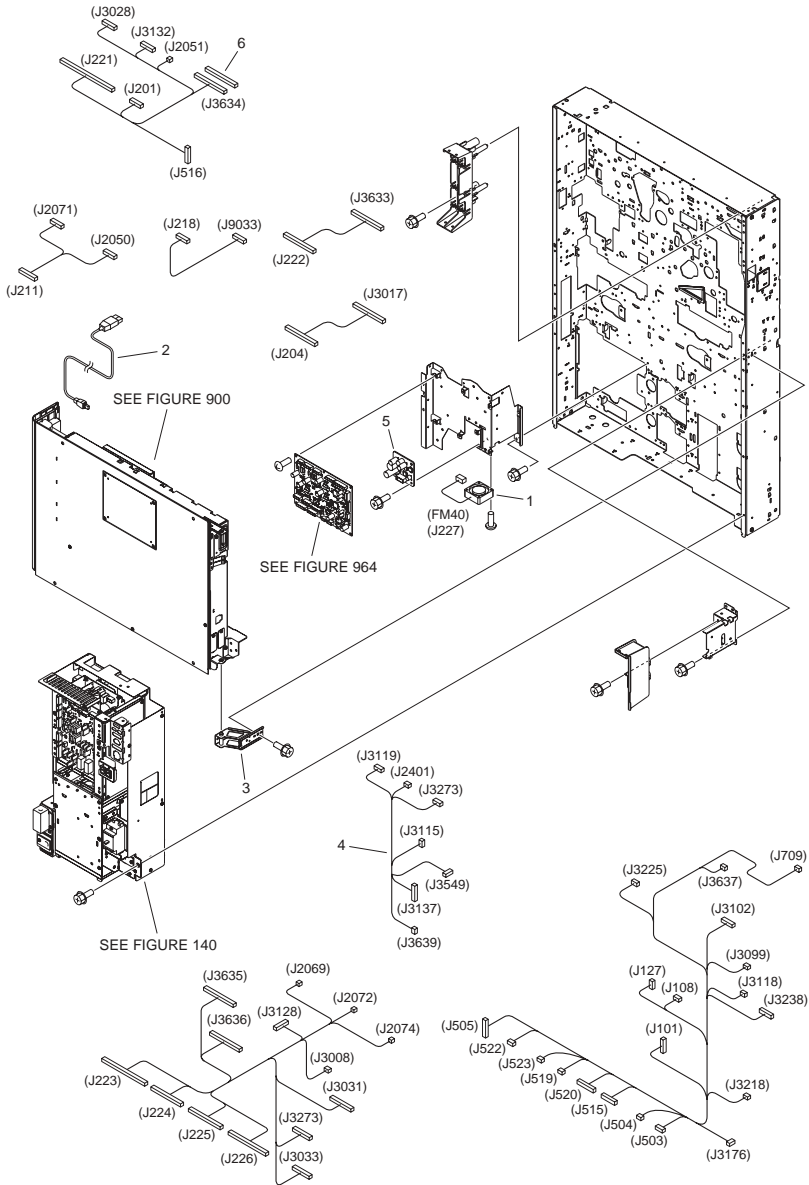
| FIGURE & KEY NO. | PARTS NUMBER | RANK | QTY | DESCRIPTION            | SERIAL NUMBER/REMARKS | SVC |
|------------------|--------------|------|-----|------------------------|-----------------------|-----|
| Fig.108          | NPN          |      | RF  | MACHINE BOTTOM PLATE   |                       |     |
| 1                | FB4-1340-000 |      | 16  | SCREW,ALLEN HEAD,M8X10 |                       |     |
| 2                | FC8-6639-000 |      | 2   | ADJUSTER               |                       |     |
| 3                | FC9-5467-000 |      | 2   | PLATE,ADJUSTING        |                       |     |
| 4                | FC9-9069-000 |      | 1   | HOLDER, SERVICE BOOK   |                       |     |
| 5                | XZ9-0409-020 |      | 4   | CASTER                 |                       |     |
| 501              | XD1-3100-805 |      | AR  | WASHER,SPRING          |                       |     |

# FIGURE 109 MACHINE REAR PLATE 1



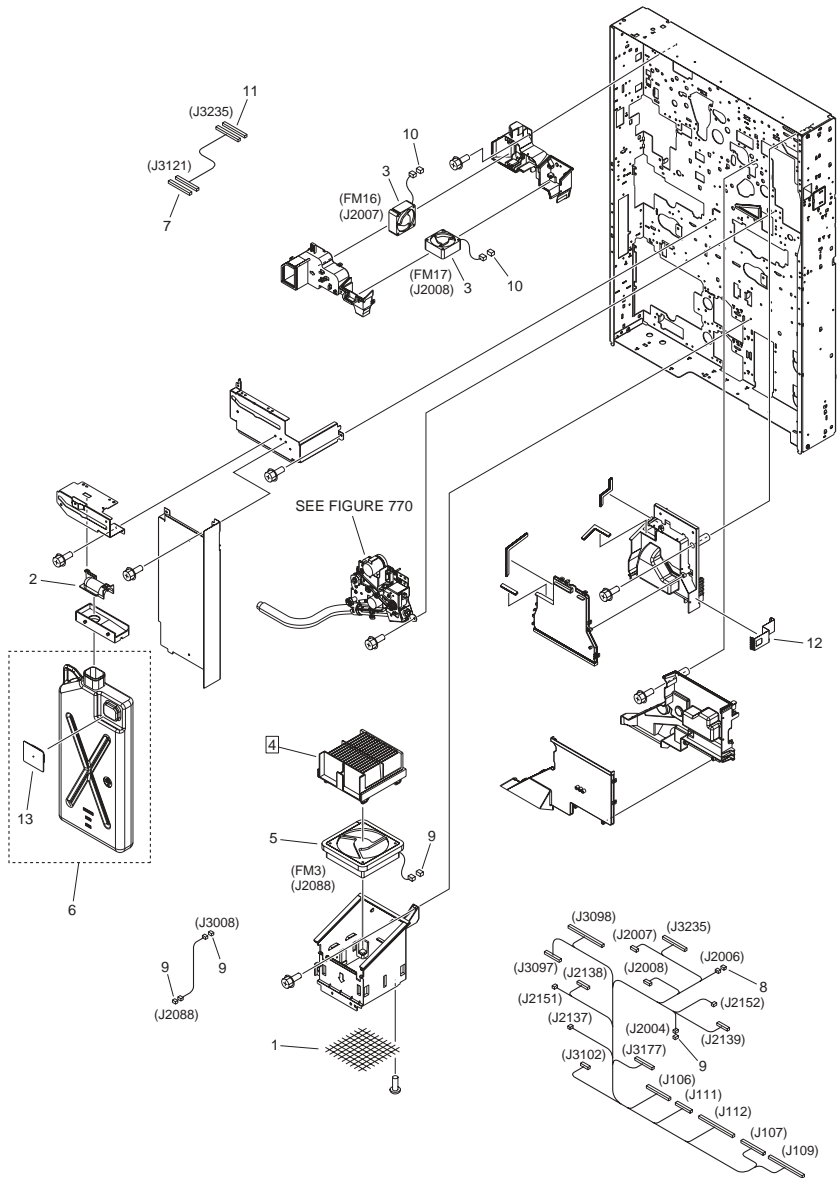
| FIGURE & KEY NO. | PARTS NUMBER | R<br>A<br>N<br>K | Q'TY | DESCRIPTION                    | SERIAL NUMBER/<br>REMARKS | S<br>V<br>C |
|------------------|--------------|------------------|------|--------------------------------|---------------------------|-------------|
| Fig.109          | NPN          |                  | RF   | MACHINE REAR PLATE 1           |                           |             |
| 1                | FK2-7241-000 |                  | 1    | FAN                            | FM33                      |             |
| 2                | FM2-4663-000 |                  | 2    | MOTOR, DC                      | M4,M5                     |             |
| 3                | XF2-4129-340 |                  | 1    | BELT, TIMING, COGGED           |                           |             |
| 4                | FM4-0974-000 |                  | 1    | CABLE, PRE-TRANS. CORONA H.V.  |                           |             |
| 5                | FC9-7855-000 |                  | 1    | FLYWHEEL                       |                           |             |
| 6                | VS1-7177-004 |                  | 1    | CONNECTOR, SNAP TIGHT, BK      |                           |             |
| 7                | VS1-7177-005 |                  | 2    | CONNECTOR, SNAP TIGHT, BK      |                           |             |
| 8                | VS1-7177-006 |                  | 3    | CONNECTOR, SNAP TIGHT, BK      |                           |             |
| 9                | VS1-7177-007 |                  | 1    | CONNECTOR, 7P, FEMALE, BK      |                           |             |
| 10               | VS1-8412-017 |                  | 3    | CONNECTOR, SNAP TIGHT, BL      |                           |             |
| 11               | VS1-8412-021 |                  | 2    | CONNECTOR, SNAP TIGHT, BL      |                           |             |
| 12               | VS1-8412-025 |                  | 1    | CONNECTOR, SNAP TIGHT, BL      |                           |             |
| 13               | VS1-8412-031 |                  | 1    | CONNECTOR, SNAP TIGHT, 31P, BL |                           |             |
| 14               | FK2-7718-000 |                  | 1    | TRANSFORMER, H.V.              |                           |             |
| 15               | FM4-1015-000 |                  | 1    | CABLE, MAIN DRIVER, REAR UPPER |                           |             |
| 16               | FM4-1023-000 |                  | 1    | CABLE, RELAY, FRONT            |                           |             |
| 17               | FM4-1025-000 |                  | 1    | CABLE, MAIN DRIVER, FRONT      |                           |             |

# FIGURE 110 MACHINE REAR PLATE 2



| FIGURE & KEY NO. | PARTS NUMBER | RANK | Q'TY | DESCRIPTION                  | SERIAL NUMBER/REMARKS | SVC |
|------------------|--------------|------|------|------------------------------|-----------------------|-----|
| Fig.110          | NPN          |      | RF   | MACHINE REAR PLATE 2         |                       |     |
| 1                | FK2-7241-000 |      | 1    | FAN                          | FM40                  |     |
| 2                | FK2-7834-000 |      | 1    | CABLE, USB                   |                       |     |
| 3                | FL3-5780-000 |      | 1    | HINGE, CONTROLLER BOX, LOWER |                       |     |
| 4                | FM4-1024-000 |      | 1    | CABLE, AC MAIN BODY          |                       |     |
| 5                | FM4-1089-000 |      | 1    | DC-DC CONVERT PCB ASS'Y      |                       |     |
| 6                | VS1-8412-017 |      | 1    | CONNECTOR, SNAP TIGHT, BL    |                       |     |

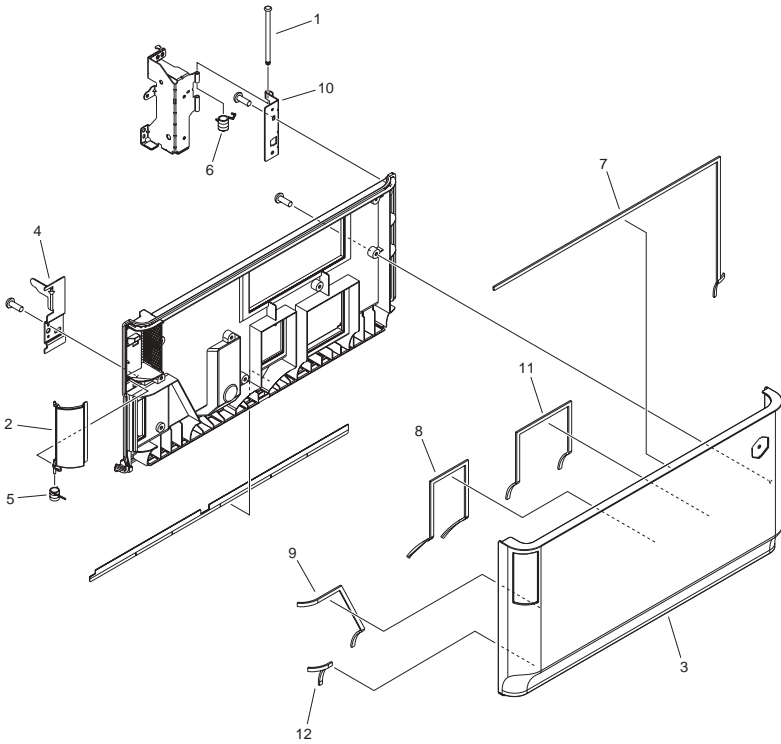
# FIGURE 111 MACHINE REAR PLATE 3



| FIGURE & KEY NO. | PARTS NUMBER | R<br>A<br>N<br>K | Q'TY | DESCRIPTION                   | SERIAL NUMBER/<br>REMARKS | S<br>V<br>C |
|------------------|--------------|------------------|------|-------------------------------|---------------------------|-------------|
| Fig.111          | NPN          |                  | RF   | MACHINE REAR PLATE 3          |                           |             |
| 1                | FA9-3847-000 |                  | 1    | SHEET, MESH                   |                           |             |
| 2                | FC8-7409-000 |                  | 1    | CAP, PIPE                     |                           |             |
| 3                | FK2-3100-000 |                  | 2    | FAN                           | FM16,FM17                 |             |
| 4                | FL3-2134-000 |                  | 1    | FILTER, OZONE                 | [DP]                      |             |
| 5                | FL3-3866-000 |                  | 1    | FAN UNIT                      | FM3                       |             |
| 6                | FM4-0905-000 |                  | 1    | CASE, WASTE TONER             |                           |             |
| 7                | VS1-7173-014 |                  | 1    | CONNECTOR, SNAP TIGHT, 14P, W |                           |             |
| 8                | VS1-7177-002 |                  | 1    | CONNECTOR, SNAP TIGHT, BK     |                           |             |
| 9                | VS1-7177-003 |                  | 4    | CONNECTOR, SNAP TIGHT, BK     |                           |             |
| 10               | VS1-7177-004 |                  | 2    | CONNECTOR, SNAP TIGHT, BK     |                           |             |
| 11               | VS1-8412-015 |                  | 1    | CONNECTOR, SNAP TIGHT, BL     |                           |             |
| 12               | FC9-8072-000 |                  | 1    | PLATE, GROUNDING              |                           |             |
| 13               | FC8-7404-000 |                  | 1    | CAP, WASTE TONER CASE         |                           |             |

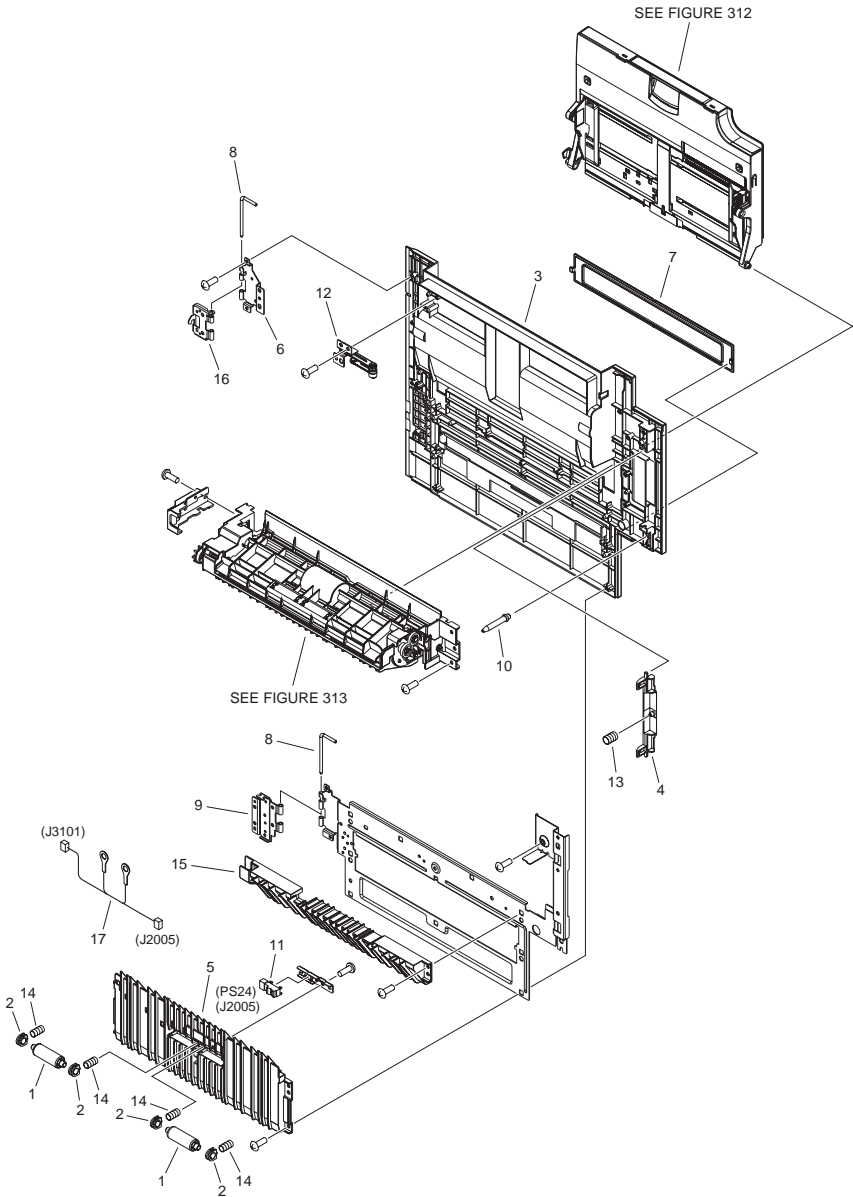


FIGURE 112  
FRONT COVER ASS'Y, LOWER



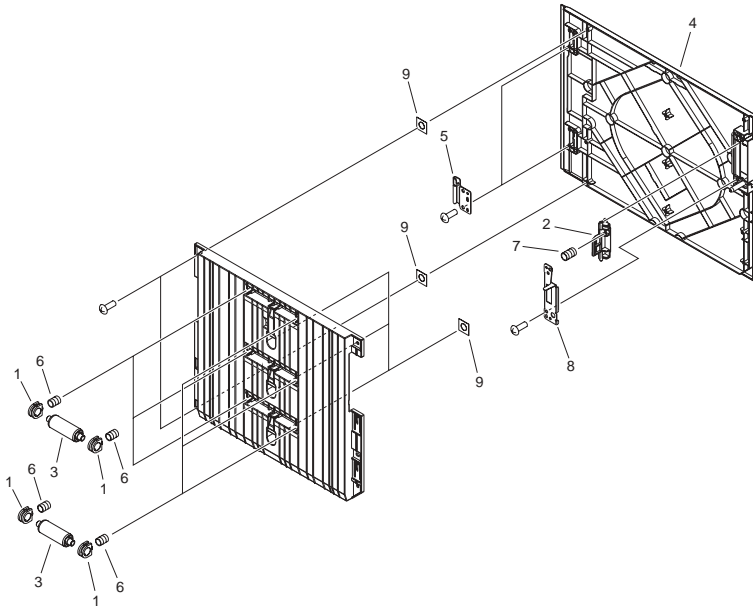
| FIGURE & KEY NO. | PARTS NUMBER | R<br>A<br>N<br>K | Q'TY | DESCRIPTION                | SERIAL NUMBER/<br>REMARKS | S<br>V<br>C |
|------------------|--------------|------------------|------|----------------------------|---------------------------|-------------|
| Fig.112          | FM4-0924-000 |                  | 1    | FRONT COVER ASS'Y, LOWER   |                           |             |
| 1                | FB2-7867-030 |                  | 1    | SHAFT, HINGE               |                           |             |
| 2                | FC8-9561-000 |                  | 1    | COVER, KNOB                |                           |             |
| 3                | FC8-9562-000 |                  | 1    | PANEL, FRONT, LOWER        |                           |             |
| 4                | FC8-9646-000 |                  | 1    | PLATE, COVER SWITCH, FRONT |                           |             |
| 5                | FU7-2709-000 |                  | 1    | SPRING, TORSION            |                           |             |
| 6                | FU7-2710-000 |                  | 1    | SPRING, TORSION            |                           |             |
| 7                | FC8-9639-000 |                  | 1    | SEAL, FRONT COVER, 1       |                           |             |
| 8                | FC8-9641-000 |                  | 1    | SEAL, FRONT COVER, 3       |                           |             |
| 9                | FC8-9642-000 |                  | 1    | SEAL, FRONT COVER, 4       |                           |             |
| 10               | FC8-9647-000 |                  | 1    | SUPPORT, HINGE             |                           |             |
| 11               | FC9-8850-000 |                  | 1    | SEAL, FRONT COVER, E       |                           |             |
| 12               | FC9-6171-000 |                  | 1    | SEAL, FRONT COVER, 5       |                           |             |

# FIGURE 113 RIGHT DOOR ASSEMBLY



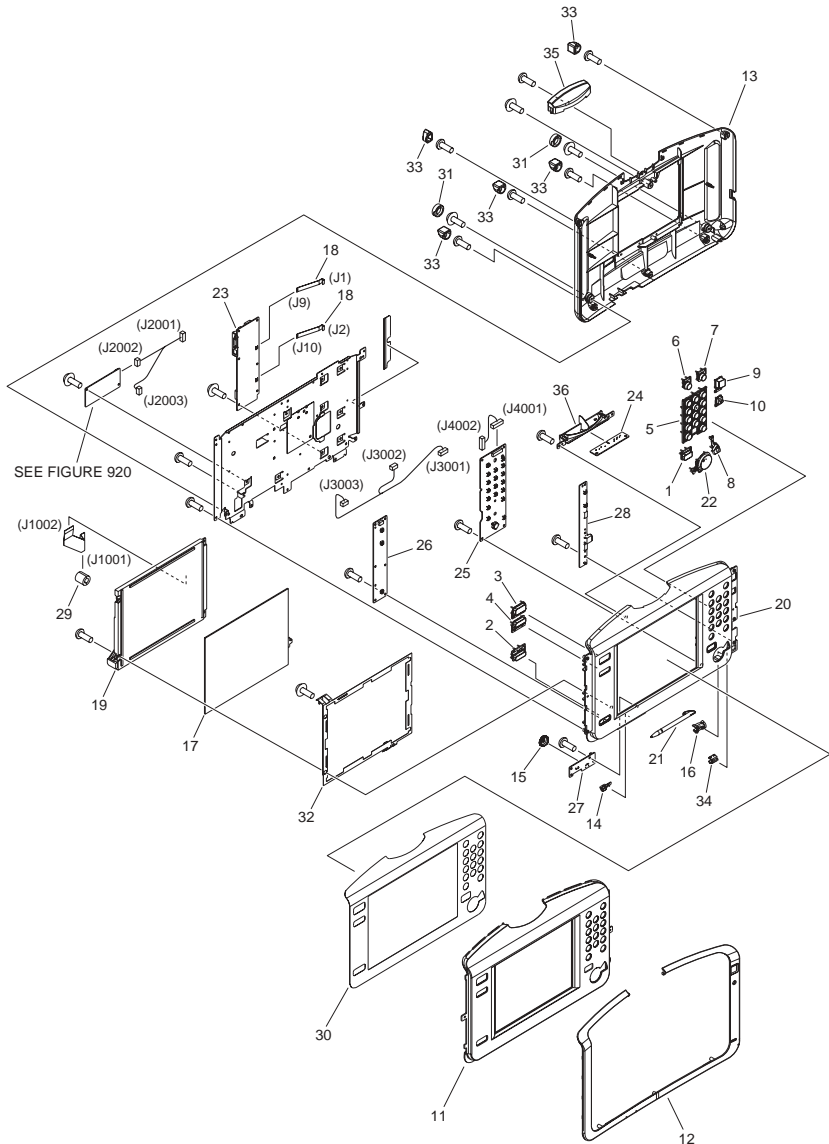
| FIGURE & KEY NO. | PARTS NUMBER | R<br>A<br>N<br>K | Q'TY | DESCRIPTION              | SERIAL NUMBER/<br>REMARKS | S<br>V<br>C |
|------------------|--------------|------------------|------|--------------------------|---------------------------|-------------|
| Fig.113          | NPN          |                  | RF   | RIGHT DOOR ASSEMBLY      |                           |             |
| 1                | FC7-7207-000 |                  | 2    | ROLLER, DRIVEN           |                           |             |
| 2                | FC7-7209-000 |                  | 4    | BUSHING, VERTICAL ROLLER |                           |             |
| 3                | FC8-7290-000 |                  | 1    | COVER, RIGHT             |                           |             |
| 4                | FC8-7291-000 |                  | 1    | LEVER, DOOR, RIGHT       |                           |             |
| 5                | FC8-9349-000 |                  | 1    | GUIDE, RIGHT DOOR, LOWER |                           |             |
| 6                | FC8-9350-000 |                  | 1    | HINGE, DOOR, RIGHT       |                           |             |
| 7                | FC8-9353-000 |                  | 1    | COVER, BLANKING          |                           |             |
| 8                | FC8-9488-000 |                  | 2    | SHAFT, HINGE             |                           |             |
| 9                | FC8-9679-000 |                  | 1    | HINGE, RIGHT DOOR, LOWER |                           |             |
| 10               | FC9-8806-000 |                  | 1    | PIN, DOOR, RIGHT         |                           |             |
| 11               | FK2-6470-000 |                  | 1    | PHOTO-SENSOR, KUA0055C   | PS24                      |             |
| 12               | FM4-5320-000 |                  | 1    | LINK UNIT                |                           |             |
| 13               | FU7-2696-000 |                  | 1    | SPRING, COMPRESSION      |                           |             |
| 14               | FU8-2317-000 |                  | 4    | SPRING, COMPRESSION      |                           |             |
| 15               | FC8-7293-000 |                  | 1    | GUIDE, UPPER             |                           |             |
| 16               | FC8-9492-000 |                  | 1    | HINGE, UPPER             |                           |             |
| 17               | FM4-1001-000 |                  | 1    | CABLE, SENSOR            |                           |             |

# FIGURE 114 VERTICAL PATH ASSEMBLY



| FIGURE & KEY NO. | PARTS NUMBER | RANK | QTY | DESCRIPTION               | SERIAL NUMBER/REMARKS | SVC |
|------------------|--------------|------|-----|---------------------------|-----------------------|-----|
| Fig.114          | FM4-0943-000 |      | 1   | VERTICAL PATH ASSEMBLY    |                       |     |
| 1                | FC7-7209-000 |      | 12  | BUSHING, VERTICAL ROLLER  |                       |     |
| 2                | FC8-2697-000 |      | 1   | HOOK                      |                       |     |
| 3                | FC8-3782-000 |      | 6   | ROLLER, PAPER FEED        |                       |     |
| 4                | FC8-7347-000 |      | 1   | COVER, VERTICAL PATH      |                       |     |
| 5                | FC8-7348-000 |      | 2   | HINGE                     |                       |     |
| 6                | FS7-2788-000 |      | 12  | SPRING, COMPRESSION       |                       |     |
| 7                | FU7-2341-000 |      | 1   | SPRING, COMPRESSION       |                       |     |
| 8                | FC8-7349-000 |      | 1   | PLATE, DOOR SWITCH, RIGHT |                       |     |
| 9                | FC0-3228-000 |      | 5   | SHEET, SPACER             |                       |     |

# FIGURE 135 UPRIGHT CONTROL PANEL ASSEMBLY



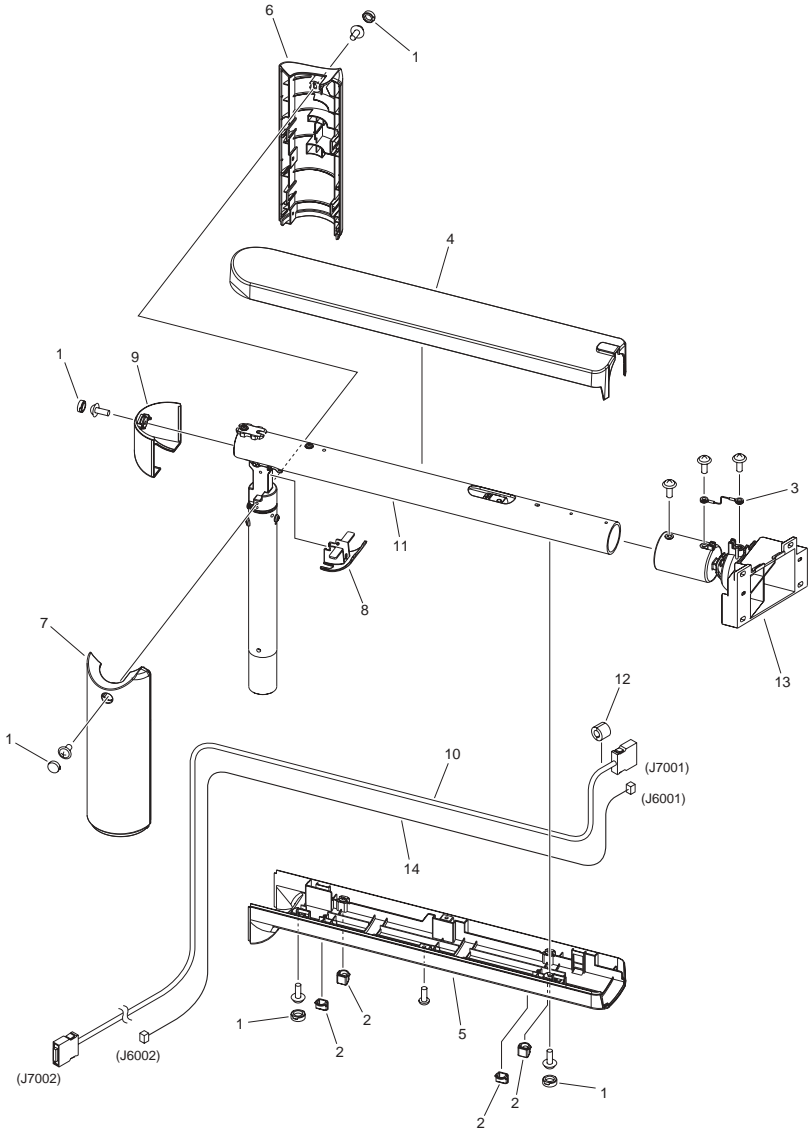
NOTE : This assembly includes the assembly shown in Figure 920.  
 NOTE : This assembly does not include the parts shown with key No. 30 and 33.  
 注 : このユニットはFigure 920のユニットを含みます。  
 注 : このユニットにKey No. 30, 33の部品は含まれません。

| FIGURE & KEY NO. | PARTS NUMBER | R<br>A<br>N<br>K | Q'TY | DESCRIPTION                    | SERIAL NUMBER/<br>REMARKS  | S<br>V<br>C |
|------------------|--------------|------------------|------|--------------------------------|----------------------------|-------------|
| Fig.135          | FM3-4810-000 |                  | 1    | UPRIGHT CONTROL PANEL ASSEMBLY | SEE NOTE                   |             |
| 1                | FC8-8651-000 |                  | 1    | KEY TOP, RESET                 |                            |             |
| 2                | FC8-8654-000 |                  | 1    | KEY TOP, CANCEL                |                            |             |
| 3                | FC8-8658-000 |                  | 1    | KEY TOP, MAIN MENU             |                            |             |
| 4                | FC8-8659-000 |                  | 1    | KEY TOP, PORTAL                |                            |             |
| 5                | FC8-8660-000 |                  | 1    | KEY TOP, NUMBERS               |                            |             |
| 6                | FC9-0290-000 |                  | 1    | KEY TOP, SETTING               |                            |             |
| 7                | FC9-0291-000 |                  | 1    | KEY TOP, ENERGY SAVE           |                            |             |
| 8                | FC9-0292-000 |                  | 1    | KEY TOP, STOP                  |                            |             |
| 9                | FC9-0293-000 |                  | 1    | KEY TOP, POWER                 |                            |             |
| 10               | FC9-0294-000 |                  | 1    | KEY TOP, COUNTER CHECK         |                            |             |
| 11               | FC9-0299-000 |                  | 1    | COVER, TRANSPARENT, OPE. PANEL |                            |             |
| 12               | FC9-0301-000 |                  | 1    | COVER, CONTROL PANEL, FRONT    |                            |             |
| 13               | FC9-0302-000 |                  | 1    | COVER, CONTROL PANEL, REAR     |                            |             |
| 14               | FC9-0308-000 |                  | 1    | KEY TOP, VOLUME                |                            |             |
| 15               | FC9-0309-000 |                  | 1    | DIAL                           |                            |             |
| 16               | FC9-3845-000 |                  | 1    | GUIDE, PEN                     |                            |             |
| 17               | FK2-7407-000 |                  | 1    | PANEL, TOUCH                   |                            |             |
| 18               | FK2-8081-000 |                  | 2    | CABLE, FLEXIBLE FLAT           |                            |             |
| 19               | FL2-8741-000 |                  | 1    | MODULE, LCD                    |                            |             |
| 20               | FL2-8742-000 |                  | 1    | PANEL, CONTROL                 |                            |             |
| 21               | FL3-0626-000 |                  | 1    | PEN, TOUCH                     |                            |             |
| 22               | FL3-0833-000 |                  | 1    | KEY TOP, START                 |                            |             |
| 23               | FM3-4813-000 |                  | 1    | CPU PCB ASSEMBLY               |                            |             |
| 24               | FM3-9995-000 |                  | 1    | TALLY PCB ASSEMBLY             |                            |             |
| 25               | FM3-9996-000 |                  | 1    | KEY TOP PCB ASSEMBLY, RIGHT    |                            |             |
| 26               | FM3-9997-000 |                  | 1    | KEY TOP PCB ASSEMBLY, LEFT     |                            |             |
| 27               | FM3-9998-000 |                  | 1    | VOLUME PCB ASSEMBLY            |                            |             |
| 28               | FM3-9999-000 |                  | 1    | USB PCB ASSEMBLY               |                            |             |
| 29               | WE8-5173-000 |                  | 1    | FERRITE CORE ZCAT1518-0730     |                            |             |
| 30               | FC9-8995-000 |                  | 1    | SHEET, CONTROL PANEL ASS'Y     | SEE NOTE iR-ADV 8105<br>JP |             |

| FIGURE & KEY NO. | PARTS NUMBER | RANK | Q'TY | DESCRIPTION                | SERIAL NUMBER/REMARKS                      | SVC |
|------------------|--------------|------|------|----------------------------|--|-----|
| 30               | FC9-8996-000 |      | 1    | SHEET, CONTROL PANEL ASS'Y | SEE NOTE iR-ADV 8095 JP                    |     |
| 30               | FC9-8997-000 |      | 1    | SHEET, CONTROL PANEL ASS'Y | SEE NOTE iR-ADV 8085 JP                    |     |
| 30               | FC9-8998-000 |      | 1    | SHEET, CONTROL PANEL ASS'Y | SEE NOTE iR-ADV 8105 US,CA,LTN,KR SG,HK,AU |     |
| 30               | FC9-8999-000 |      | 1    | SHEET, CONTROL PANEL ASS'Y | SEE NOTE iR-ADV 8095 US,CA,LTN,KR SG,HK,AU |     |
| 30               | FC9-9000-000 |      | 1    | SHEET, CONTROL PANEL ASS'Y | SEE NOTE iR-ADV 8085 US,CA,LTN,AU          |     |
| 30               | FC9-9001-000 |      | 1    | SHEET, CONTROL PANEL ASS'Y | SEE NOTE iR-ADV 8105 EUR                   |     |
| 30               | FC9-9002-000 |      | 1    | SHEET, CONTROL PANEL ASS'Y | SEE NOTE iR-ADV 8095 EUR                   |     |
| 30               | FC9-9003-000 |      | 1    | SHEET, CONTROL PANEL ASS'Y | SEE NOTE iR-ADV 8085 EUR                   |     |
| 30               | FC9-9004-000 |      | 1    | SHEET, CONTROL PANEL ASS'Y | SEE NOTE iR-ADV 8105 CN                    |     |
| 30               | FC9-9005-000 |      | 1    | SHEET, CONTROL PANEL ASS'Y | SEE NOTE iR-ADV 8095 CN                    |     |
| 31               | FC9-0311-000 |      | 2    | CAP                        |  |     |
| 32               | FC9-0310-000 |      | 1    | SHEET, ELECTROSTATIC       |  |     |
| 33               | FC9-0312-000 |      | 5    | CAP                        | SEE NOTE                                   |     |
| 34               | FC9-0305-000 |      | 1    | COVER, POWER LAMP          |  |     |
| 35               | FC9-0306-000 |      | 1    | COVER, INDICATOR LAMP      |  |     |
| 36               | FC9-0307-000 |      | 1    | BASE, INDICATOR LAMP       |  |     |

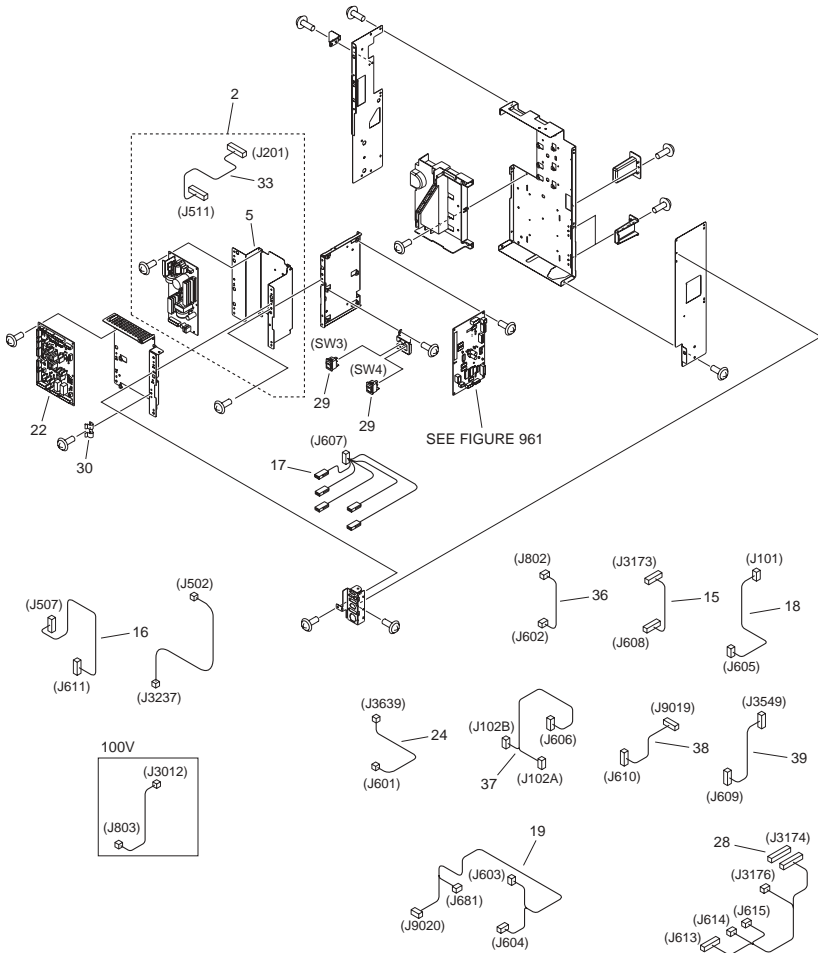


# FIGURE 136 CONTROL PANEL ARM ASSEMBLY



| FIGURE & KEY NO. | PARTS NUMBER | R<br>A<br>N<br>K | Q'TY | DESCRIPTION                | SERIAL NUMBER/<br>REMARKS | S<br>V<br>C |
|------------------|--------------|------------------|------|----------------------------|---------------------------|-------------|
| Fig.136          | NPN          |                  | RF   | CONTROL PANEL ARM ASSEMBLY |                           |             |
| 1                | FC9-0311-000 |                  | 5    | CAP                        |                           |             |
| 2                | FC9-0312-000 |                  | 4    | CAP                        |                           |             |
| 3                | FC9-0317-000 |                  | 1    | WIRE                       |                           |             |
| 4                | FC9-0336-000 |                  | 1    | COVER, ARM, UPPER          |                           |             |
| 5                | FC9-0337-000 |                  | 1    | COVER, ARM, LOWER          |                           |             |
| 6                | FC9-0339-010 |                  | 1    | COVER, PILLAR, RIGHT       |                           |             |
| 7                | FC9-0341-010 |                  | 1    | COVER, PILLAR, LEFT        |                           |             |
| 8                | FC9-0344-000 |                  | 1    | COVER, ARM BLANKING        |                           |             |
| 9                | FC9-3842-000 |                  | 1    | COVER, PILLAR, REAR        |                           |             |
| 10               | FK2-8330-000 |                  | 1    | CABLE, USER INTERFACE      |                           |             |
| 11               | FM4-5713-020 |                  | 1    | ARM UNIT                   |                           |             |
| 12               | WE8-5256-000 |                  | 1    | FERRITE CORE TFC-16-8-16   |                           |             |
| 13               | FM3-4814-000 |                  | 1    | CONTROL PANEL BASE UNIT    |                           |             |
| 14               | FM4-0006-000 |                  | 1    | CABLE, POWER SUPPLY        |                           |             |

# FIGURE 140 POWER CORD TERMINAL ASS'Y

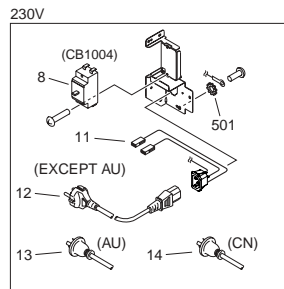
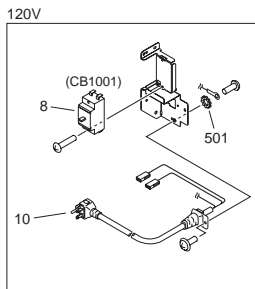
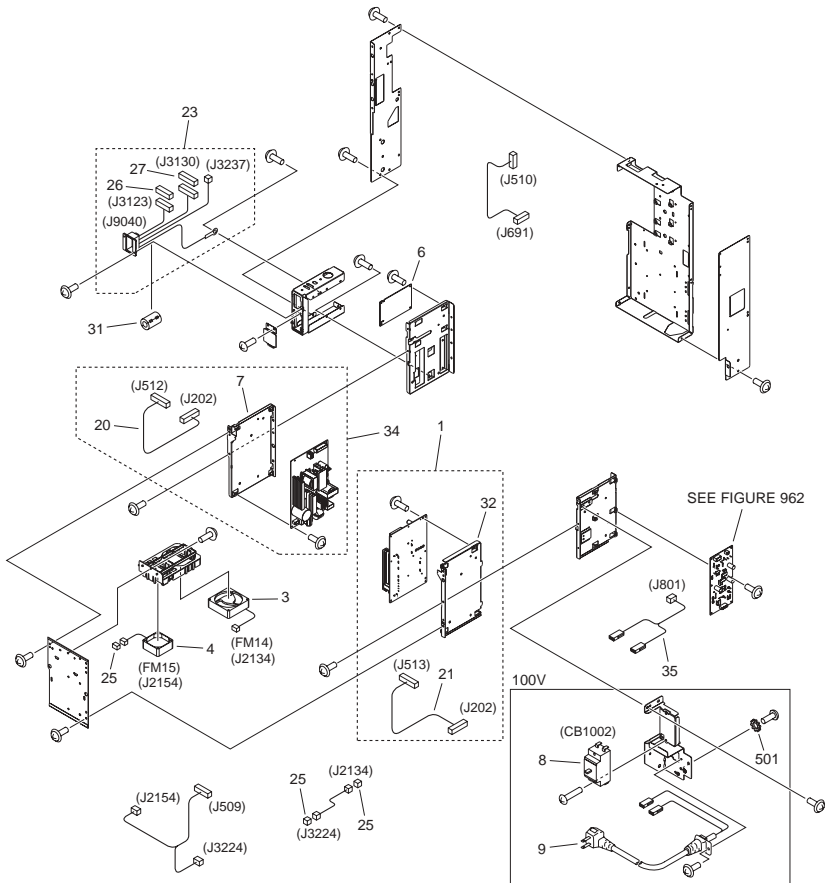


NOTE : This assembly does not include the parts shown with key No. 12, 13 and 14.

NOTE : This assembly includes the assemblies shown in Figure 961 and 962.

注 : このユニットにKey No. 12, 13,14の部品は含まれません。

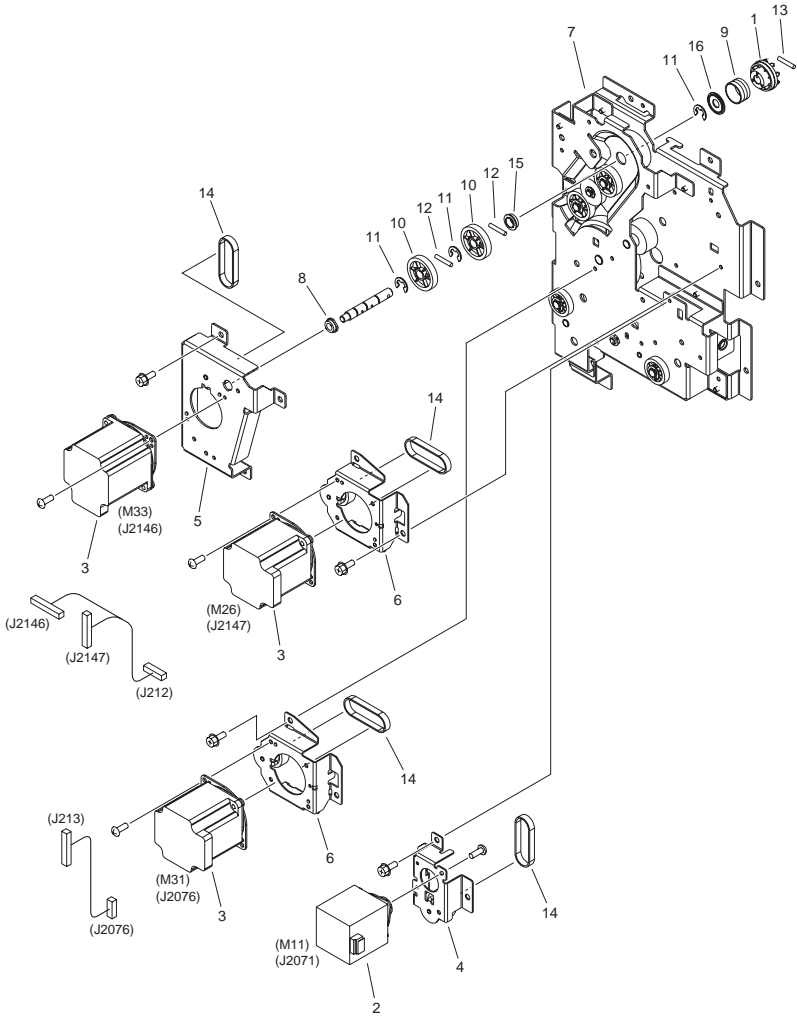
注 : このユニットはFigure 961, 962のユニットを含みます。



| FIGURE & KEY NO. | PARTS NUMBER | R<br>A<br>N<br>K | Q'TY | DESCRIPTION                   | SERIAL NUMBER/<br>REMARKS     | S<br>V<br>C |
|------------------|--------------|------------------|------|-------------------------------|-------------------------------|-------------|
| Fig.140          | FM3-7330-000 |                  | 1    | POWER CORD TERMINAL ASS'Y     | SEE NOTE 100V                 |             |
| Fig.140          | FM4-3154-000 |                  | 1    | POWER CORD TERMINAL ASS'Y     | SEE NOTE 120V                 |             |
| Fig.140          | FM4-3155-000 |                  | 1    | POWER CORD TERMINAL ASS'Y     | SEE NOTE 230V                 |             |
| 1                | FM4-5129-000 |                  | 1    | 24V POWER SUPPLY ASS'Y, RIGHT |                               |             |
| 2                | FM4-5131-000 |                  | 1    | 12V POWER SUPPLY ASS'Y        |                               |             |
| 3                | FK2-0360-000 |                  | 1    | FAN                           | FM14                          |             |
| 4                | FK2-2064-000 |                  | 1    | FAN                           | FM15                          |             |
| 5                | FC9-5006-000 |                  | 1    | SUPPORT, 12V POWER SUPPLY     |                               |             |
| 6                | FK2-6324-000 |                  | 1    | ALL DAY POWER PCB ASSEMBLY    | 100V,120V                     |             |
| 6                | FK2-6325-000 |                  | 1    | ALL DAY POWER PCB ASSEMBLY    | 230V                          |             |
| 7                | FC9-5008-000 |                  | 1    | SUPPORT, 24V POWER, LEFT      |                               |             |
| 8                | FK2-7359-000 |                  | 1    | BREAKER, ELECTRIC LEAKAGE     | 100V,120V<br>CB1002,CB1001    |             |
| 8                | FH7-7625-030 |                  | 1    | BREAKER, ELECTRIC LEAKAGE     | 230V CB1004                   |             |
| 9                | FL3-1267-000 |                  | 1    | CORD, POWER SUPPLY            | 100V                          |             |
| 10               | FL3-1266-000 |                  | 1    | CORD, POWER SUPPLY            | 120V                          |             |
| 11               | FL3-1269-000 |                  | 1    | CABLE, INLET                  | 230V                          |             |
| 12               | FK2-0146-000 |                  | 1    | CORD, POWER SUPPLY            | SEE NOTE 230V EXCEPT<br>AU,CN |             |
| 13               | FK2-0148-000 |                  | 1    | CORD, POWER SUPPLY            | SEE NOTE 230V AU              |             |
| 14               | FK2-2987-000 |                  | 1    | CORD, POWER SUPPLY            | SEE NOTE 230V CN              |             |
| 15               | FM3-9133-000 |                  | 1    | CABLE, AC DRUM                |                               |             |
| 16               | FM3-9134-000 |                  | 1    | CABLE, AC DRUM RELAY          |                               |             |
| 17               | FM3-9135-000 |                  | 1    | CABLE, ENVIRONMENT SWITCH     |                               |             |
| 18               | FM3-9138-000 |                  | 1    | CABLE, AC 12V POWER SUPPLY    |                               |             |
| 19               | FM3-9139-000 |                  | 1    | CABLE, ALL DAY POWER SUPPLY   |                               |             |
| 20               | FM3-9145-000 |                  | 1    | CABLE, DC 24V, A              |                               |             |
| 21               | FM3-9146-000 |                  | 1    | CABLE, DC 24V, B              |                               |             |
| 22               | FM4-1086-000 |                  | 1    | RELAY PCB ASS'Y               |                               |             |
| 23               | FM3-9140-000 |                  | 1    | CABLE, DECK CONNECTOR         |                               |             |
| 24               | FM4-4315-000 |                  | 1    | CABLE, AC-IH                  |                               |             |
| 25               | VS1-7177-003 |                  | 3    | CONNECTOR, SNAP TIGHT, BK     |                               |             |
| 26               | VS1-7177-007 |                  | 1    | CONNECTOR, 7P, FEMALE, BK     |                               |             |

| FIGURE & KEY NO. | PARTS NUMBER | R A N K | Q'TY | DESCRIPTION                  | SERIAL NUMBER/REMARKS | S V C |
|------------------|--------------|---------|------|------------------------------|-----------------------|-------|
| 27               | VS1-7177-008 |         | 1    | CONNECTOR, SNAP TIGHT, BK    | SW3,SW4               |       |
| 28               | VS1-8412-013 |         | 1    | CONNECTOR, SNAP TIGHT, BL    |                       |       |
| 29               | WC1-5179-000 |         | 2    | SWITCH,TOGGLE                |                       |       |
| 30               | FC0-2113-000 |         | 1    | PLATE, GROUNDING             |                       |       |
| 31               | WE8-5780-000 |         | 1    | CORE,FERRITE                 |                       |       |
| 32               | FC9-5007-000 |         | 1    | SUPPORT, 24V POWER, RIGHT    |                       |       |
| 33               | FM3-9144-000 |         | 1    | CABLE, DC 12V                |                       |       |
| 34               | FM4-5128-000 |         | 1    | 24V POWER SUPPLY ASS'Y, LEFT |                       |       |
| 35               | FM3-9130-000 |         | 1    | CABLE, AC BREAKER            |                       |       |
| 36               | FM3-9131-000 |         | 1    | CABLE, AC FILTER/AC DRUM     |                       |       |
| 37               | FM3-9132-000 |         | 1    | CABLE, AC MAIN               |                       |       |
| 38               | FM4-1067-000 |         | 1    | CABLE, CASSETTE HEATER       |                       |       |
| 39               | FM4-4316-000 |         | 1    | CABLE, MAIN SWITCH           |                       |       |
| 501              | XD1-4200-502 |         | 1    | LOCK WASHER (SUS)            |                       |       |

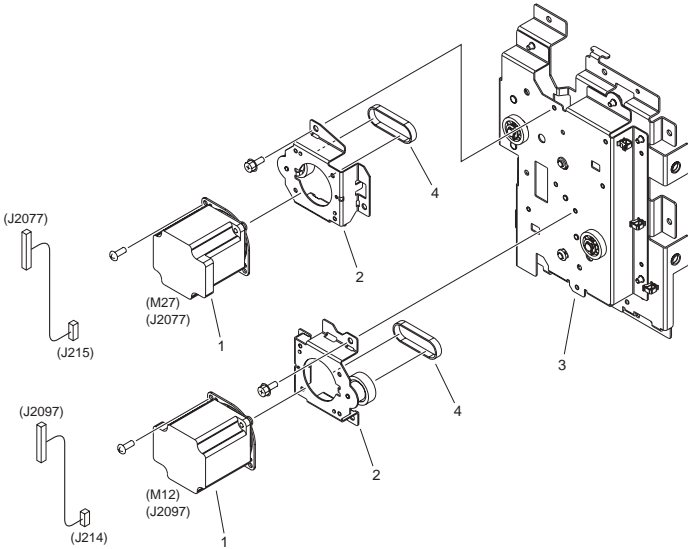
# FIGURE 250 MAIN DRIVE ASS'Y



| FIGURE & KEY NO. | PARTS NUMBER | RANK | Q'TY | DESCRIPTION                 | SERIAL NUMBER/REMARKS | SVC |
|------------------|--------------|------|------|-----------------------------|-----------------------|-----|
| Fig.250          | NPN          |      | RF   | MAIN DRIVE ASSY             |                       |     |
| 1                | FC9-9156-000 |      | 1    | COUPLING                    |                       |     |
| 2                | FK2-7674-000 |      | 1    | MOTOR, STEPPING, DC         | M11                   |     |
| 3                | FK2-7675-000 |      | 3    | MOTOR, STEPPING, DC         | M26,M31,M33           |     |
| 4                | FL3-0247-000 |      | 1    | COVER, DRIVE ASS'Y          |                       |     |
| 5                | FL3-0248-000 |      | 1    | COVER, MULTI PRE-REG. DRIVE |                       |     |
| 6                | FL3-0255-000 |      | 2    | COVER, DRIVE ASS'Y          |                       |     |
| 7                | FM4-5154-000 |      | 1    | MAIN DRIVE UNIT             |                       |     |
| 8                | FS1-1508-000 |      | 1    | BUSHING                     |                       |     |
| 9                | FS5-2925-000 |      | 1    | SPRING, TORSION             |                       |     |
| 10               | FU8-0334-000 |      | 2    | GEAR, 36T                   |                       |     |
| 11               | XD9-0137-010 |      | 3    | RING, E                     |                       |     |
| 12               | XD9-0290-000 |      | 2    | PIN, PARALLEL               |                       |     |
| 13               | XD9-0300-000 |      | 1    | PIN, PARALLEL               |                       |     |
| 14               | XF2-1606-260 |      | 4    | BELT, TIMING, COGGED        |                       |     |
| 15               | XG9-0709-000 |      | 1    | BEARING, BALL, MF128ZZ-3    |                       |     |
| 16               | FC9-5263-000 |      | 1    | HOLDER, SPRING              |                       |     |

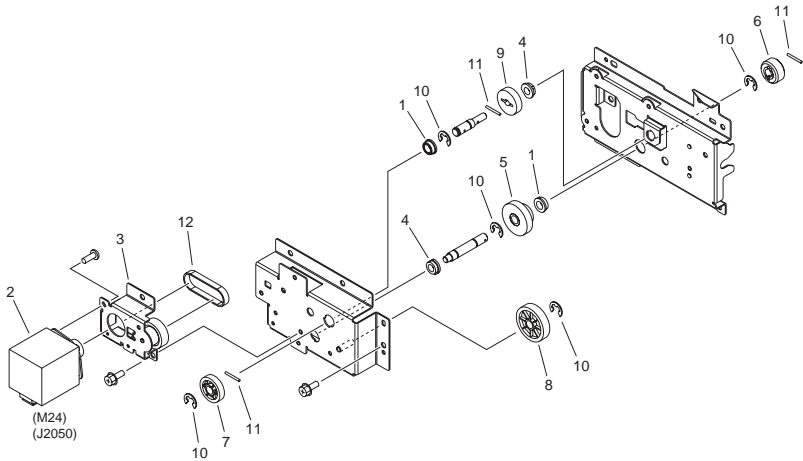


# FIGURE 260 V. PATH/CST. PICK-UP ASS'Y



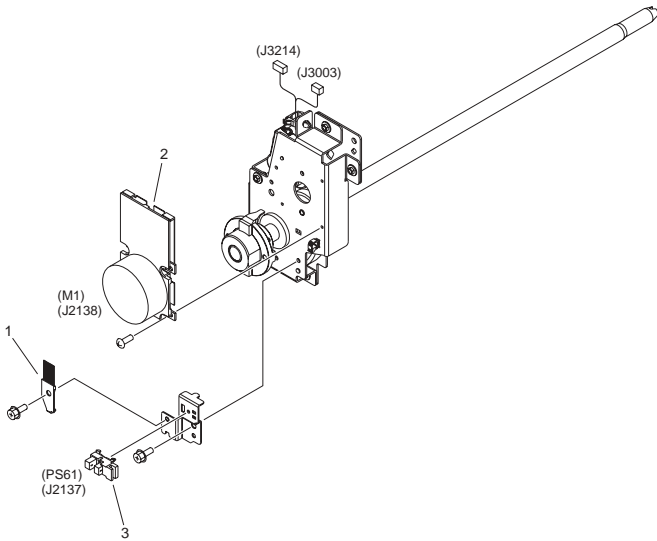
| FIGURE & KEY NO. | PARTS NUMBER | RANK | Q'TY | DESCRIPTION                   | SERIAL NUMBER/REMARKS | SVC |
|------------------|--------------|------|------|-------------------------------|-----------------------|-----|
| Fig.260          | FM3-7374-000 |      | 1    | V. PATH/CST. PICK-UP ASS'Y    |                       |     |
| 1                | FK2-7675-000 |      | 2    | MOTOR, STEPPING, DC           | M12,M27               |     |
| 2                | FL3-0255-000 |      | 2    | COVER, DRIVE ASS'Y            |                       |     |
| 3                | FM4-5155-000 |      | 1    | V.PATH/CST.PICK-UP DRIVE UNIT |                       |     |
| 4                | XF2-1606-260 |      | 2    | BELT, TIMING, COGGED          |                       |     |

# FIGURE 261 LEFT DECK PICK-UP DRIVE ASS'Y



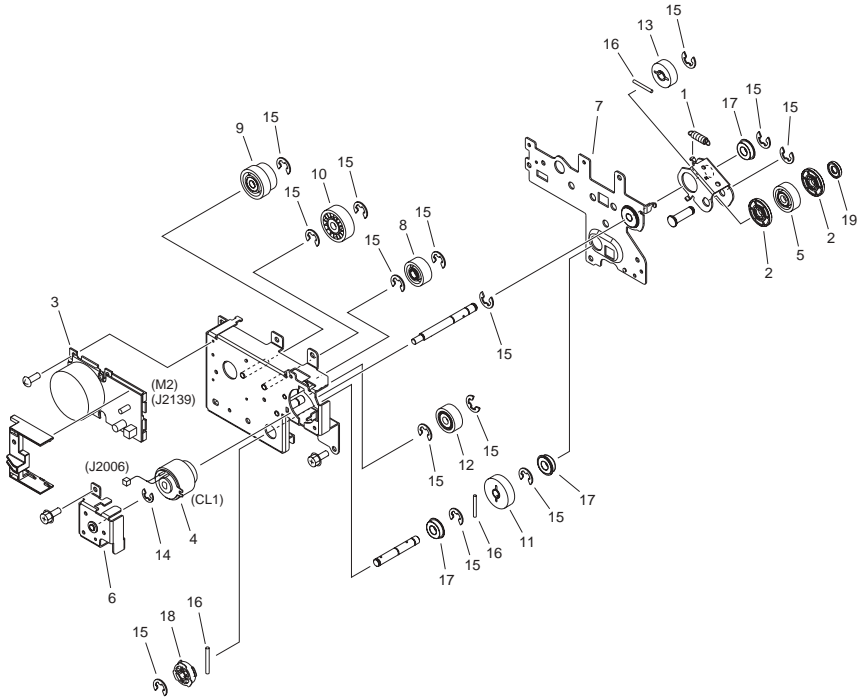
| FIGURE & KEY NO. | PARTS NUMBER | R<br>A<br>N<br>K | Q'TY | DESCRIPTION                   | SERIAL NUMBER/<br>REMARKS | S<br>V<br>C |
|------------------|--------------|------------------|------|-------------------------------|---------------------------|-------------|
| Fig.261          | FM4-0947-000 |                  | 1    | LEFT DECK PICK-UP DRIVE ASS'Y |                           |             |
| 1                | FA9-2112-000 |                  | 2    | BUSHING, PL                   |                           |             |
| 2                | FK2-7674-000 |                  | 1    | MOTOR, STEPPING, DC           | M24                       |             |
| 3                | FL3-0247-000 |                  | 1    | COVER, DRIVE ASS'Y            |                           |             |
| 4                | FS1-1508-000 |                  | 2    | BUSHING                       |                           |             |
| 5                | FU5-0204-000 |                  | 1    | GEAR, 30T                     |                           |             |
| 6                | FU5-0266-000 |                  | 1    | GEAR, 20T                     |                           |             |
| 7                | FU8-0335-000 |                  | 1    | GEAR, 28T                     |                           |             |
| 8                | FU8-0908-000 |                  | 1    | GEAR, 33T                     |                           |             |
| 9                | FU9-0050-000 |                  | 1    | GEAR, 23T                     |                           |             |
| 10               | XD9-0137-010 |                  | 5    | RING, E                       |                           |             |
| 11               | XD9-0290-000 |                  | 3    | PIN, PARALLEL                 |                           |             |
| 12               | XF2-1606-260 |                  | 1    | BELT, TIMING, COGGED          |                           |             |

# FIGURE 270 DRUM DRIVE ASS'Y



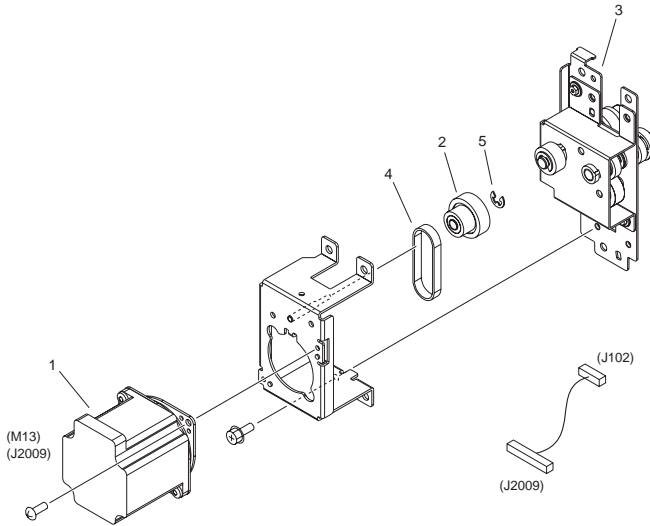
| FIGURE & KEY NO. | PARTS NUMBER | RANK | QTY | DESCRIPTION                    | SERIAL NUMBER/REMARKS | SVC |
|------------------|--------------|------|-----|--------------------------------|-----------------------|-----|
| Fig.270          | FM4-0975-000 |      | 1   | DRUM DRIVE ASS'Y               |                       |     |
| 1                | FC6-9029-000 |      | 1   | BRUSH, GROUNDING               |                       |     |
| 2                | FK2-7672-000 |      | 1   | MOTOR, DC                      | M1                    |     |
| 3                | WG8-5848-000 |      | 1   | PHOTO-INTERRUPTER,GP1A173LCS0F | PS61                  |     |

FIGURE 271  
DEVELOPING DRIVE ASS'Y



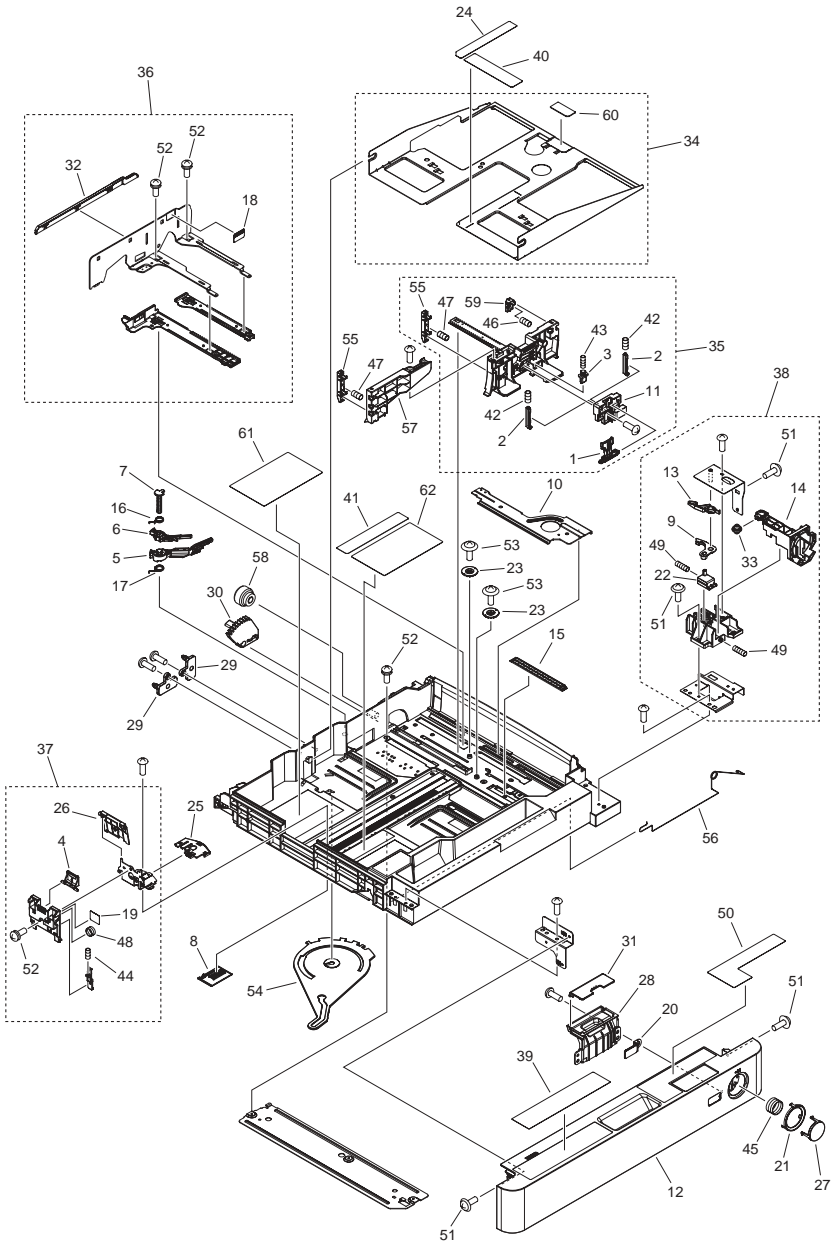
| FIGURE & KEY NO. | PARTS NUMBER | R<br>A<br>N<br>K | Q'TY | DESCRIPTION                | SERIAL NUMBER/<br>REMARKS | S<br>V<br>C |
|------------------|--------------|------------------|------|----------------------------|---------------------------|-------------|
| Fig.271          | FM4-0958-000 |                  | 1    | DEVELOPING DRIVE ASSY      |                           |             |
| 1                | FC8-7125-000 |                  | 1    | SPRING, TENSION            |                           |             |
| 2                | FC8-9373-000 |                  | 2    | ROLLER                     |                           |             |
| 3                | FK2-7668-000 |                  | 1    | MOTOR, DC                  | M2                        |             |
| 4                | FK2-7684-000 |                  | 1    | CLUTCH, ELECTROMAGNETIC    | CL1                       |             |
| 5                | FL3-2170-000 |                  | 1    | GEAR, 32T                  |                           |             |
| 6                | FL3-2806-000 |                  | 1    | SUPPORT, CLUTCH            |                           |             |
| 7                | FL3-2807-000 |                  | 1    | PLATE, DEVELOPING DRIVE, 1 |                           |             |
| 8                | FL3-3869-000 |                  | 1    | GEAR, 30T                  |                           |             |
| 9                | FL3-4560-000 |                  | 1    | GEAR, 50T/32T              |                           |             |
| 10               | FL3-4575-000 |                  | 1    | GEAR, 40T                  |                           |             |
| 11               | FU5-0236-000 |                  | 1    | GEAR, 38T                  |                           |             |
| 12               | FU6-0562-000 |                  | 1    | GEAR, 30T                  |                           |             |
| 13               | FU6-0603-000 |                  | 1    | GEAR, 30T                  |                           |             |
| 14               | XD9-0136-000 |                  | 1    | RING, E                    |                           |             |
| 15               | XD9-0137-010 |                  | AR   | RING, E                    |                           |             |
| 16               | XD9-0292-000 |                  | 3    | PIN, PARALLEL              |                           |             |
| 17               | XG9-0508-000 |                  | 3    | BEARING, BALL, F688ZZ      |                           |             |
| 18               | FU5-3977-000 |                  | 1    | PULLEY, 38T                |                           |             |
| 19               | FC8-7128-000 |                  | 1    | STOPPER, SWING THRUST      |                           |             |

# FIGURE 280 DELIVERY REVERSE DRIVE ASS'Y



| FIGURE & KEY NO. | PARTS NUMBER | RANK | QTY | DESCRIPTION                  | SERIAL NUMBER/REMARKS | SVC |
|------------------|--------------|------|-----|------------------------------|-----------------------|-----|
| Fig.280          | NPN          |      | RF  | DELIVERY REVERSE DRIVE ASS'Y |                       |     |
| 1                | FK2-7675-000 |      | 1   | MOTOR, STEPPING, DC          | M13                   |     |
| 2                | FL3-2819-000 |      | 1   | GEAR, 30T/PULLEY, 28T        |                       |     |
| 3                | FM4-5138-000 |      | 1   | DELIVERY REVERSE DRIVE UNIT  |                       |     |
| 4                | XF2-1606-260 |      | 1   | BELT, TIMING, COGGED         |                       |     |
| 5                | XD9-0135-000 |      | 1   | RING, E                      |                       |     |

# FIGURE 300 CASSETTE ASSEMBLY

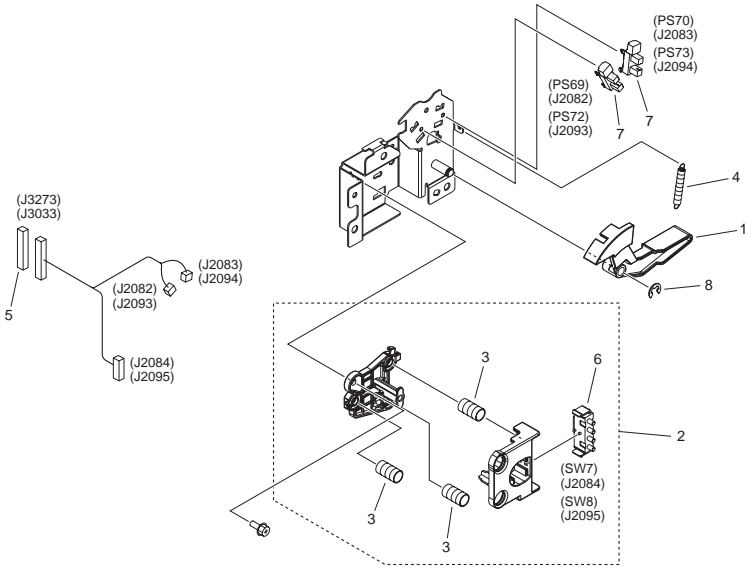




| FIGURE & KEY NO. | PARTS NUMBER | R<br>A<br>N<br>K | Q'TY | DESCRIPTION                 | SERIAL NUMBER/<br>REMARKS | S<br>V<br>C |
|------------------|--------------|------------------|------|-----------------------------|---------------------------|-------------|
| Fig.300          | FM3-4746-010 |                  | 2    | CASSETTE ASSEMBLY           |                           |             |
| 1                | FC8-2462-000 |                  | 1    | KNOB, PAPER SIDE END        |                           |             |
| 2                | FC8-2463-000 |                  | 2    | STOPPER                     |                           |             |
| 3                | FC8-2464-000 |                  | 1    | PLATE, CLICK                |                           |             |
| 4                | FC8-2466-000 |                  | 1    | LEVER                       |                           |             |
| 5                | FC8-2469-000 |                  | 1    | DIAL, DETECT, SMALL         |                           |             |
| 6                | FC8-2470-000 |                  | 1    | DIAL, DETECT, LARGE         |                           |             |
| 7                | FC8-2474-000 |                  | 1    | SHAFT, SUPPORT              |                           |             |
| 8                | FC8-2475-000 |                  | 1    | PLATE, JOINT                |                           |             |
| 9                | FC8-2477-000 |                  | 1    | ARM, LOCK, A                |                           |             |
| 10               | FC8-2482-000 |                  | 1    | PLATE, LIFTER               |                           |             |
| 11               | FC8-2484-000 |                  | 1    | COVER, HANDLE               |                           |             |
| 12               | FC8-2495-000 |                  | 1    | COVER, CASSETTE, FRONT      |                           |             |
| 13               | FC8-2667-000 |                  | 1    | ARM, LOCK, B                |                           |             |
| 14               | FC8-2668-000 |                  | 1    | LINK, BUTTON, UPPER         |                           |             |
| 15               | FC8-2670-000 |                  | 1    | PLATE, FREE STOP            |                           |             |
| 16               | FC8-2671-000 |                  | 1    | SPRING, TROSION             |                           |             |
| 17               | FC8-2672-000 |                  | 1    | SPRING, TROSION             |                           |             |
| 18               | FC8-4964-000 |                  | 1    | LABEL, HEIGHT LIMIT, S      |                           |             |
| 19               | FC8-4965-000 |                  | 1    | LABEL, HEIGHT LIMIT MARK, R |                           |             |
| 20               | FC8-4967-000 |                  | 1    | WINDOW, CST FR. COVER IND.  |                           |             |
| 21               | FC8-4968-000 |                  | 1    | RING, BUTTON                |                           |             |
| 22               | FC8-4987-000 |                  | 1    | LINK, BUTTON, LOWER         |                           |             |
| 23               | FC8-4990-000 |                  | 2    | PLATE, SYNCHRONOUS          |                           |             |
| 24               | FC8-4994-000 |                  | 1    | LABEL, SIZE INDEX, END      |                           |             |
| 25               | FC8-4996-000 |                  | 1    | COVER, TOP                  |                           |             |
| 26               | FC8-4997-000 |                  | 1    | FLAPPER                     |                           |             |
| 27               | FC8-9049-000 |                  | 1    | BUTTON, PUSHING             |                           |             |
| 28               | FC9-0136-000 |                  | 1    | HOLDER, SIZE INDEX          |                           |             |
| 29               | FC9-3831-000 |                  | 2    | PIN, SIZE DETECT            |                           |             |
| 30               | FC9-3962-000 |                  | 1    | LIFTER, CASSETTE            |                           |             |
| 31               | FC9-4042-000 |                  | 1    | COVER, SIZEPLATE            |                           |             |

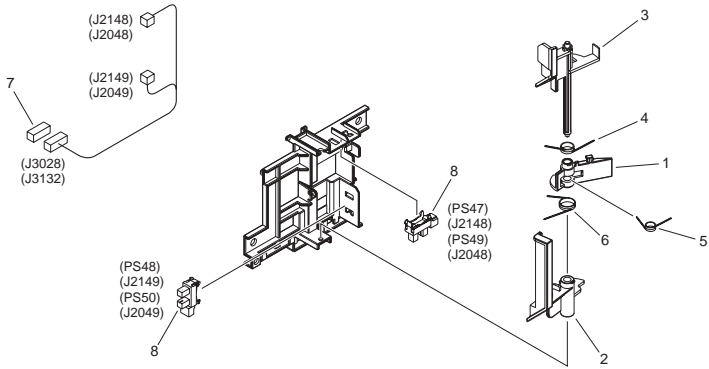
| FIGURE & KEY NO. | PARTS NUMBER | R<br>A<br>N<br>K | Q'TY | DESCRIPTION                    | SERIAL NUMBER/<br>REMARKS | S<br>V<br>C |
|------------------|--------------|------------------|------|--------------------------------|---------------------------|-------------|
| 32               | FC0-2781-000 |                  | 1    | COVER, PAPER SIDE END          |                           |             |
| 33               | FC9-7261-000 |                  | 1    | ROLLER, LINK                   |                           |             |
| 34               | FL2-8638-000 |                  | 1    | PLATE, LIFTING                 |                           |             |
| 35               | FM4-5709-000 |                  | 1    | SIDE END PLATE ASSEMBLY, FRONT |                           |             |
| 36               | FM3-8906-010 |                  | 1    | SIDE END PLATE ASSEMBLY, REAR  |                           |             |
| 37               | FM3-8907-000 |                  | 1    | BACK END LIMIT PLATE ASSEMBLY  |                           |             |
| 38               | FM3-9989-000 |                  | 1    | BUTTON LINK MOUNT ASSEMBLY     |                           |             |
| 39               | FU6-8534-000 |                  | 1    | LABEL, PAPER SET               |                           |             |
| 40               | FU6-8538-000 |                  | 1    | LABEL, SIZE INDEX, SIDE        |                           |             |
| 41               | FU6-8539-000 |                  | 1    | LABEL, SIZE INDEX, BACK END    |                           |             |
| 42               | FU7-2326-000 |                  | 2    | SPRING, COMPRESSION            |                           |             |
| 43               | FU7-2327-000 |                  | 1    | SPRING, COMPRESSION            |                           |             |
| 44               | FU7-2328-000 |                  | 1    | SPRING, COMPRESSION            |                           |             |
| 45               | FU7-2386-000 |                  | 1    | SPRING, COMPRESSION            |                           |             |
| 46               | FU7-2513-000 |                  | 1    | SPRING, COMPRESSION            |                           |             |
| 47               | FU7-2514-000 |                  | 2    | SPRING, COMPRESSION            |                           |             |
| 48               | FU7-2515-000 |                  | 1    | SPRING, COMPRESSION            |                           |             |
| 49               | FU7-2518-000 |                  | 2    | SPRING, COMPRESSION            |                           |             |
| 50               | FU7-8272-000 |                  | 1    | LABEL, CASSETTE SIZE CAUTION   |                           |             |
| 51               | XA9-0926-000 |                  | 8    | SCREW, TP, M4X8                |                           |             |
| 52               | XA9-1016-000 |                  | 7    | SCREW W/WASHER, M3X6           |                           |             |
| 53               | XA9-1523-000 |                  | 2    | SCREW, B, M4X8                 |                           |             |
| 54               | FC8-2476-000 |                  | 1    | LINK, BACK END DETECT          |                           |             |
| 55               | FC8-5262-000 |                  | 2    | BLOCK, PAPER SIDE END, LARGE   |                           |             |
| 56               | FC8-9051-000 |                  | 1    | SPRING, GROUNDING              |                           |             |
| 57               | FC9-0133-000 |                  | 1    | PLATE,PAPER SIDE END EXTENSION |                           |             |
| 58               | FC9-3785-000 |                  | 1    | COUPLING                       |                           |             |
| 59               | FM3-8911-000 |                  | 1    | BLOCK, PAPER SIDE END, SMALL   |                           |             |
| 60               | FB6-3499-000 |                  | 1    | SHEET, SEPARATION              |                           |             |
| 61               | FU6-8535-000 |                  | 1    | LABEL, TAB PAPER SET, 1        |                           |             |
| 62               | FU6-8536-000 |                  | 1    | LABEL, TAB PAPER SET, 2        |                           |             |

# FIGURE 301 CST. SIZE/REMNANT DETECT ASS'Y



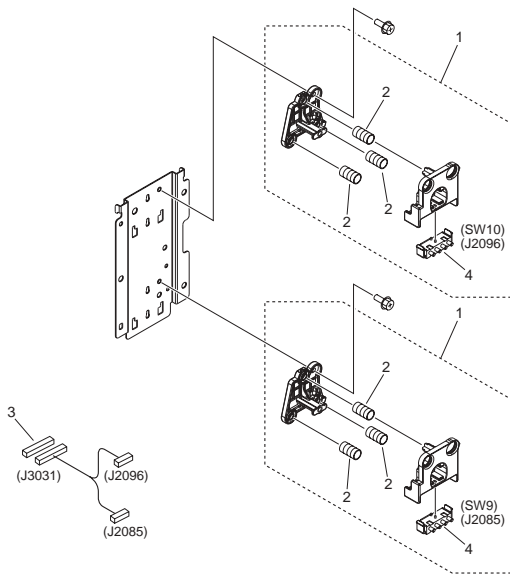
| FIGURE & KEY NO. | PARTS NUMBER | R<br>A<br>N<br>K | QTY | DESCRIPTION                    | SERIAL NUMBER/<br>REMARKS | S<br>V<br>C |
|------------------|--------------|------------------|-----|--------------------------------|---------------------------|-------------|
| Fig.301          | FM4-0929-000 |                  | 2   | CST. SIZE/REMNANT DETECT ASS'Y |                           |             |
| 1                | FC8-2487-000 |                  | 1   | ARM, REMNANT DETECT            |                           |             |
| 2                | FM3-4932-000 |                  | 1   | SWITCH HOLDER UNIT             |                           |             |
| 3                | FU7-2332-000 |                  | 3   | SPRING, COMPRESSION            |                           |             |
| 4                | FU7-2333-000 |                  | 1   | SPRING, TENSION                |                           |             |
| 5                | VS1-8412-011 |                  | 1   | CONNECTOR, SNAP TIGHT, BL      |                           |             |
| 6                | WC2-5680-000 |                  | 1   | SWITCH, DETECT PUSH            | SW7,SW8                   |             |
| 7                | WG8-5848-000 |                  | 2   | PHOTO-INTERRUPTER,GP1A173LCS0F | PS69,PS70,PS72,PS73       |             |
| 8                | XD9-0136-000 |                  | 1   | RING, E                        |                           |             |

# FIGURE 302 DECK REMNANT DETECT ASS'Y



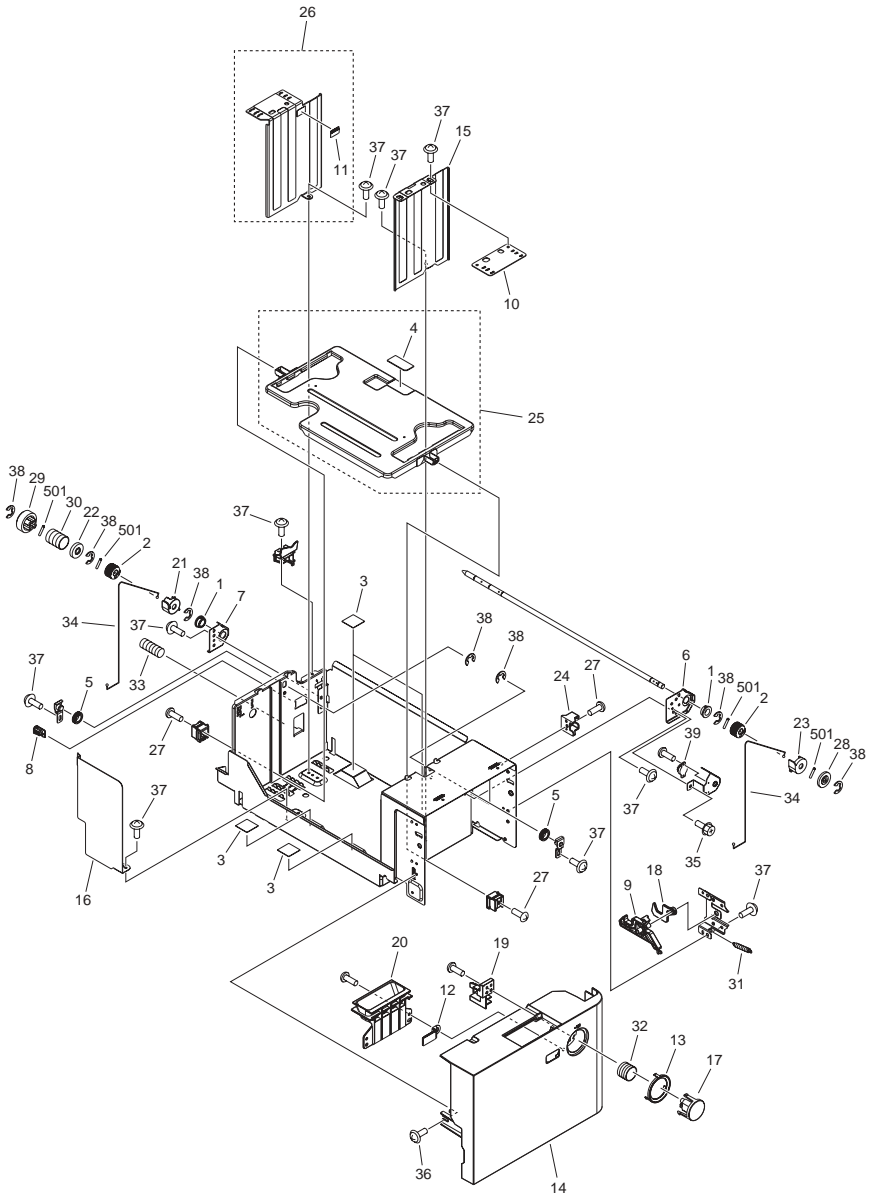
| FIGURE & KEY NO. | PARTS NUMBER | R A N K | QTY | DESCRIPTION                    | SERIAL NUMBER/REMARKS | S V C |
|------------------|--------------|---------|-----|--------------------------------|-----------------------|-------|
| Fig.302          | FM4-0931-000 |         | 2   | DECK REMNANT DETECT ASS'Y      |                       |       |
| 1                | FC9-3963-000 |         | 1   | FLAG, PRESENCE                 |                       |       |
| 2                | FC9-3964-000 |         | 1   | FLAG, REMNANT DETECT, 1        |                       |       |
| 3                | FC9-3965-000 |         | 1   | FLAG, REMNANT DETECT, 2        |                       |       |
| 4                | FC9-3966-000 |         | 1   | SPRING, TORSION                |                       |       |
| 5                | FC9-3967-000 |         | 1   | SPRING, TORSION                |                       |       |
| 6                | FC9-3968-000 |         | 1   | SPRING, TORSION                |                       |       |
| 7                | VS1-8412-007 |         | 1   | CONNECTOR, SNAP TIGHT, BL      |                       |       |
| 8                | WG8-5848-000 |         | 2   | PHOTO-INTERRUPTER,GP1A173LCS0F | PS47,PS48,PS49,PS50   |       |

# FIGURE 303 CASSETTE SIZE DETECT ASS'Y



| FIGURE & KEY NO. | PARTS NUMBER | RANK | QTY | DESCRIPTION                | SERIAL NUMBER/REMARKS | SVC |
|------------------|--------------|------|-----|----------------------------|-----------------------|-----|
| Fig.303          | NPN          |      | RF  | CASSETTE SIZE DETECT ASS'Y |                       |     |
| 1                | FM3-4932-000 |      | 2   | SWITCH HOLDER UNIT         |                       |     |
| 2                | FU7-2332-000 |      | 6   | SPRING, COMPRESSION        |                       |     |
| 3                | VS1-8412-013 |      | 1   | CONNECTOR, SNAP TIGHT, BL  |                       |     |
| 4                | WC2-5680-000 |      | 2   | SWITCH, DETECT PUSH        | SW9,SW10              |     |

# FIGURE 304 PAPER STOCK ASS'Y, RIGHT

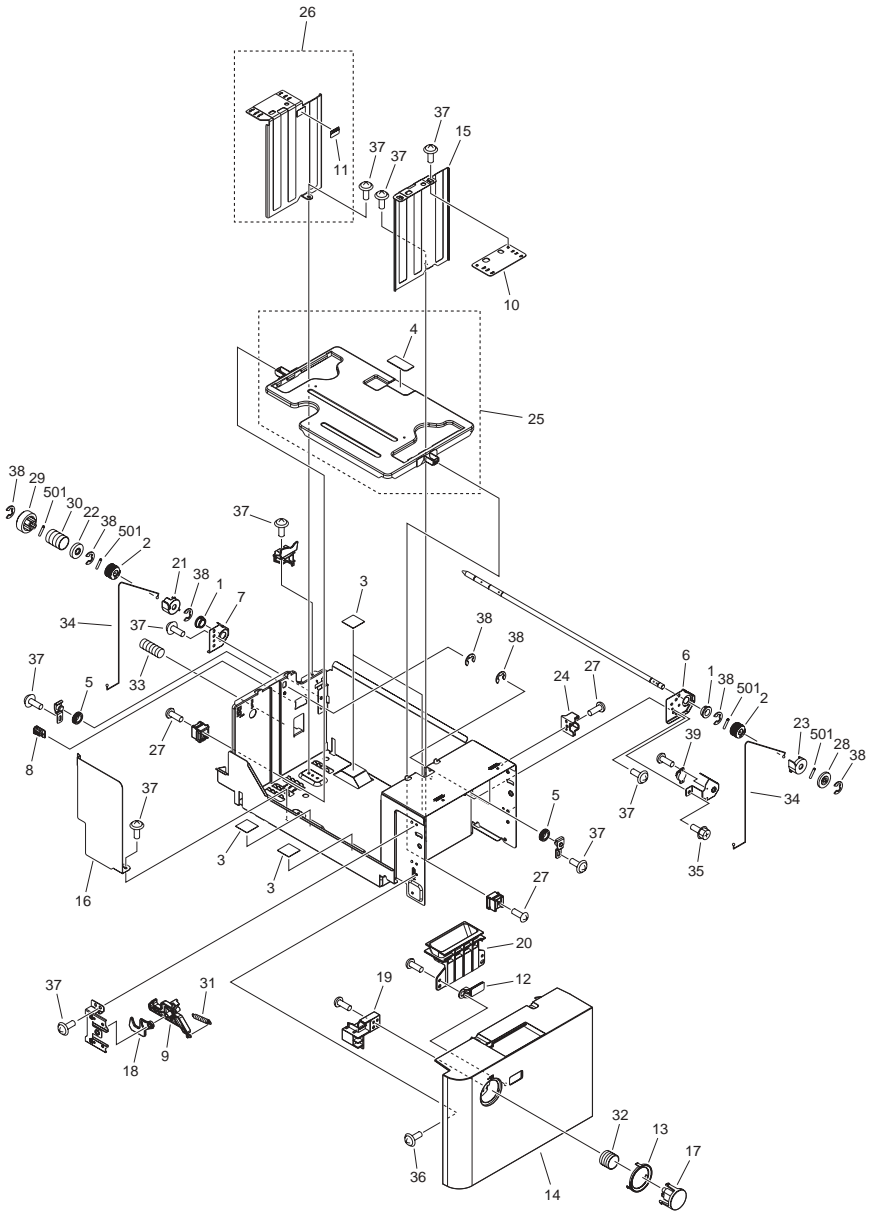


| FIGURE & KEY NO. | PARTS NUMBER | R<br>A<br>N<br>K | Q'TY | DESCRIPTION                  | SERIAL NUMBER/<br>REMARKS | S<br>V<br>C |
|------------------|--------------|------------------|------|------------------------------|---------------------------|-------------|
| Fig.304          | FM4-0939-000 |                  | 1    | PAPER STOCK ASS'Y, RIGHT     |                           |             |
| 1                | FA9-2112-000 |                  | 2    | BUSHING, PL                  |                           |             |
| 2                | FB2-8465-000 |                  | 2    | PULLEY, LIFTING              |                           |             |
| 3                | FB6-2719-000 |                  | 4    | PAD                          |                           |             |
| 4                | FB6-3499-000 |                  | 1    | SHEET, SEPARATION            |                           |             |
| 5                | FC5-2609-000 |                  | 2    | PULLEY                       |                           |             |
| 6                | FC6-3762-000 |                  | 1    | SUPPORT, SHAFT, FRONT        |                           |             |
| 7                | FC6-3763-000 |                  | 1    | SUPPORT,SHAFT,REAR           |                           |             |
| 8                | FC6-9969-000 |                  | 1    | SLIDER, RACK                 |                           |             |
| 9                | FC8-2527-000 |                  | 1    | HOOK                         |                           |             |
| 10               | FC8-2533-000 |                  | 1    | PLATE, PAPER SIDE END ADJUST |                           |             |
| 11               | FC8-4964-000 |                  | 1    | LABEL, HEIGHT LIMIT, S       |                           |             |
| 12               | FC8-4967-000 |                  | 1    | WINDOW, CST FR. COVER IND.   |                           |             |
| 13               | FC8-4968-000 |                  | 1    | RING, BUTTON                 |                           |             |
| 14               | FC8-7353-000 |                  | 1    | COVER, DECK FRONT, RIGHT     |                           |             |
| 15               | FC8-7356-000 |                  | 1    | PLATE, PAPER SIDE END, FRONT |                           |             |
| 16               | FC8-7358-000 |                  | 1    | PLATE, BACK END LIMIT        |                           |             |
| 17               | FC8-9050-000 |                  | 1    | BUTTON, DECK PUSHING         |                           |             |
| 18               | FC8-9053-000 |                  | 1    | HOOK, SECOND, RIGHT          |                           |             |
| 19               | FC8-9054-000 |                  | 1    | LINK, RIGHT                  |                           |             |
| 20               | FC9-3892-000 |                  | 1    | HOLDER, DECK SIZE INDEX      |                           |             |
| 21               | FC9-3989-000 |                  | 1    | FLANGE, LIFT                 |                           |             |
| 22               | FC9-4119-000 |                  | 1    | STOPPER, COUPLING            |                           |             |
| 23               | FC9-8565-000 |                  | 1    | FLANGE, LIFT                 |                           |             |
| 24               | FC9-9359-000 |                  | 1    | BLOCK, POSITIONING           |                           |             |
| 25               | FL3-0237-000 |                  | 1    | PLATE, LIFTER                |                           |             |
| 26               | FL3-0238-000 |                  | 1    | PLATE, PAPER SIDE END, REAR  |                           |             |
| 27               | XA9-1934-000 |                  | 3    | SCREW, M4X4                  |                           |             |
| 28               | FS4-0012-000 |                  | 1    | GEAR, 27T                    |                           |             |
| 29               | FS4-0160-000 |                  | 1    | GEAR, 28T                    |                           |             |
| 30               | FS4-2136-000 |                  | 1    | SPRING, COMPRESSION          |                           |             |
| 31               | FU7-2368-000 |                  | 1    | SPRING, TENSION              |                           |             |

| FIGURE & KEY NO. | PARTS NUMBER | RANK | Q'TY | DESCRIPTION         | SERIAL NUMBER/REMARKS | SVC |
|------------------|--------------|------|------|---------------------|-----------------------|-----|
| 32               | FU7-2387-000 |      | 1    | SPRING, COMPRESSION |                       |     |
| 33               | FU8-2361-000 |      | 1    | SPRING, COMPRESSION |                       |     |
| 34               | FC0-2206-000 |      | 2    | WIRE, LIFTING       |                       |     |
| 35               | XA9-0732-000 |      | 1    | SCREW,RS,M4         |                       |     |
| 36               | XA9-1249-010 |      | 4    | SCREW, TP, M4X8     |                       |     |
| 37               | XA9-1450-000 |      | AR   | SCREW, TP, M4X6     |                       |     |
| 38               | XD9-0137-010 |      | 7    | RING, E             |                       |     |
| 39               | XH9-0148-000 |      | 1    | DAMPER, OIL         |                       |     |
| 501              | XD3-2200-122 |      | 4    | PIN, PARALLEL       |                       |     |



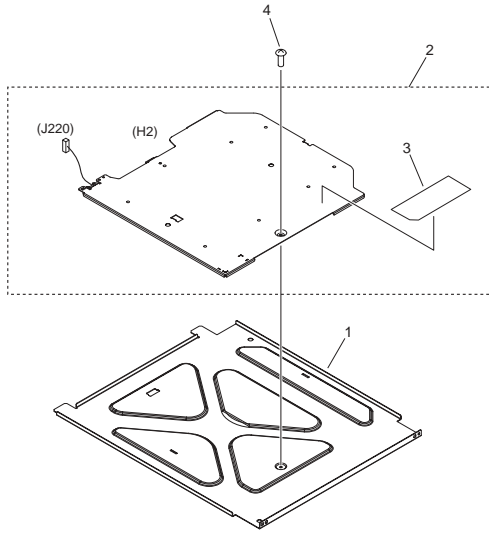
# FIGURE 305 PAPER STOCK ASS'Y, LEFT



| FIGURE & KEY NO. | PARTS NUMBER | R<br>A<br>N<br>K | Q'TY | DESCRIPTION                  | SERIAL NUMBER/<br>REMARKS | S<br>V<br>C |
|------------------|--------------|------------------|------|------------------------------|---------------------------|-------------|
| Fig.305          | FM4-0937-000 |                  | 1    | PAPER STOCK ASS'Y, LEFT      |                           |             |
| 1                | FA9-2112-000 |                  | 2    | BUSHING, PL                  |                           |             |
| 2                | FB2-8465-000 |                  | 2    | PULLEY, LIFTING              |                           |             |
| 3                | FB6-2719-000 |                  | 4    | PAD                          |                           |             |
| 4                | FB6-3499-000 |                  | 1    | SHEET, SEPARATION            |                           |             |
| 5                | FC5-2609-000 |                  | 2    | PULLEY                       |                           |             |
| 6                | FC6-3762-000 |                  | 1    | SUPPORT, SHAFT, FRONT        |                           |             |
| 7                | FC6-3763-000 |                  | 1    | SUPPORT,SHAFT,REAR           |                           |             |
| 8                | FC6-9969-000 |                  | 1    | SLIDER, RACK                 |                           |             |
| 9                | FC8-2527-000 |                  | 1    | HOOK                         |                           |             |
| 10               | FC8-2533-000 |                  | 1    | PLATE, PAPER SIDE END ADJUST |                           |             |
| 11               | FC8-4964-000 |                  | 1    | LABEL, HEIGHT LIMIT, S       |                           |             |
| 12               | FC8-4967-000 |                  | 1    | WINDOW, CST FR. COVER IND.   |                           |             |
| 13               | FC8-4968-000 |                  | 1    | RING, BUTTON                 |                           |             |
| 14               | FC8-7354-000 |                  | 1    | COVER, DECK FRONT, LEFT      |                           |             |
| 15               | FC8-7356-000 |                  | 1    | PLATE, PAPER SIDE END, FRONT |                           |             |
| 16               | FC8-7358-000 |                  | 1    | PLATE, BACK END LIMIT        |                           |             |
| 17               | FC8-9050-000 |                  | 1    | BUTTON, DECK PUSHING         |                           |             |
| 18               | FC8-9055-000 |                  | 1    | LINK, LEFT                   |                           |             |
| 19               | FC9-3775-000 |                  | 1    | HOOK, SECOND, LEFT           |                           |             |
| 20               | FC9-3892-000 |                  | 1    | HOLDER, DECK SIZE INDEX      |                           |             |
| 21               | FC9-3989-000 |                  | 1    | FLANGE, LIFT                 |                           |             |
| 22               | FC9-4119-000 |                  | 1    | STOPPER, COUPLING            |                           |             |
| 23               | FC9-8565-000 |                  | 1    | FLANGE, LIFT                 |                           |             |
| 24               | FC9-9359-000 |                  | 1    | BLOCK, POSITIONING           |                           |             |
| 25               | FL3-0237-000 |                  | 1    | PLATE, LIFTER                |                           |             |
| 26               | FL3-0238-000 |                  | 1    | PLATE, PAPER SIDE END, REAR  |                           |             |
| 27               | XA9-1934-000 |                  | 3    | SCREW, M4X4                  |                           |             |
| 28               | FS4-0012-000 |                  | 1    | GEAR, 27T                    |                           |             |
| 29               | FS4-0160-000 |                  | 1    | GEAR, 28T                    |                           |             |
| 30               | FS4-2136-000 |                  | 1    | SPRING, COMPRESSION          |                           |             |
| 31               | FU7-2368-000 |                  | 1    | SPRING, TENSION              |                           |             |

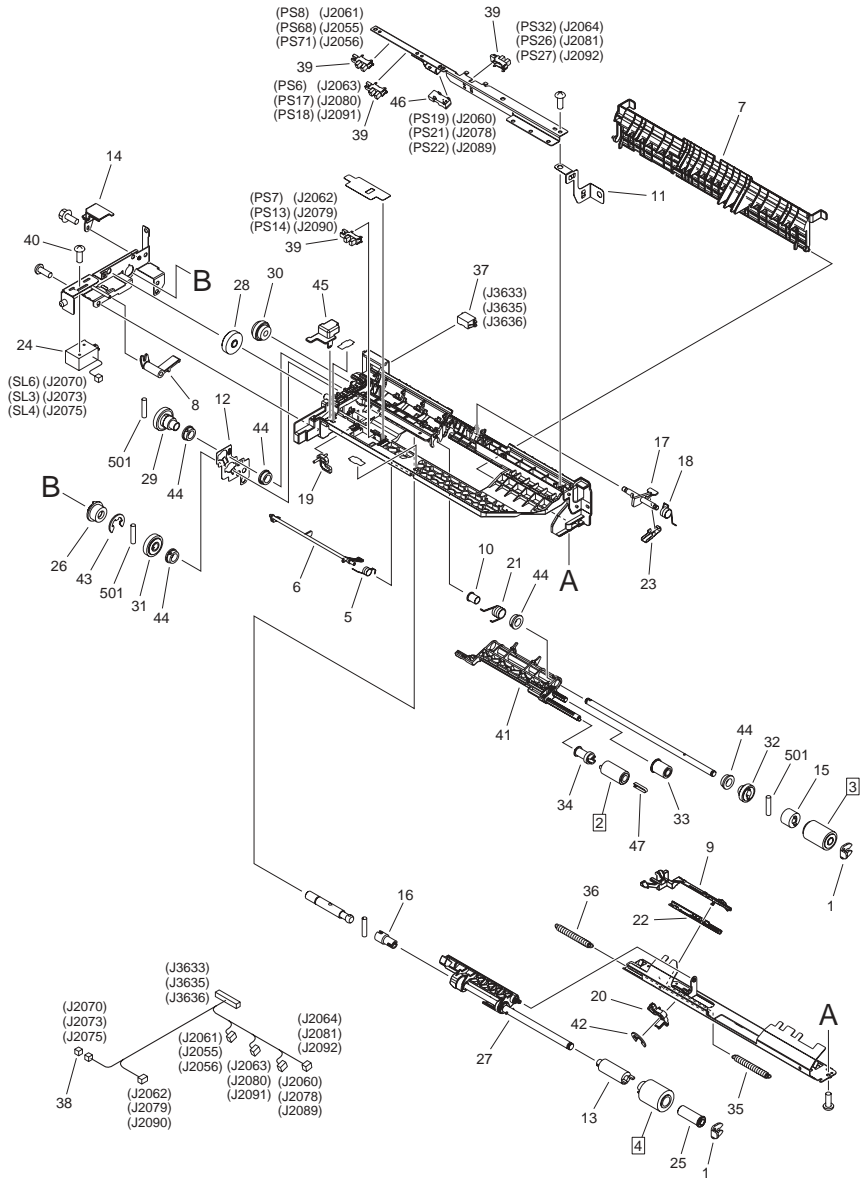
| FIGURE & KEY NO. | PARTS NUMBER | RANK | Q'TY | DESCRIPTION         | SERIAL NUMBER/REMARKS | SVC |
|------------------|--------------|------|------|---------------------|-----------------------|-----|
| 32               | FU7-2387-000 |      | 1    | SPRING, COMPRESSION |                       |     |
| 33               | FU8-2361-000 |      | 1    | SPRING, COMPRESSION |                       |     |
| 34               | FC0-2206-000 |      | 2    | WIRE, LIFTING       |                       |     |
| 35               | XA9-0732-000 |      | 1    | SCREW,RS,M4         |                       |     |
| 36               | XA9-1249-010 |      | 4    | SCREW, TP, M4X8     |                       |     |
| 37               | XA9-1450-000 |      | AR   | SCREW, TP, M4X6     |                       |     |
| 38               | XD9-0137-010 |      | 7    | RING, E             |                       |     |
| 39               | XH9-0148-000 |      | 1    | DAMPER, OIL         |                       |     |
| 501              | XD3-2200-122 |      | 4    | PIN, PARALLEL       |                       |     |

# FIGURE 306 CASSETTE HEATER ASSEMBLY (JP)



| FIGURE & KEY NO. | PARTS NUMBER | RANK | QTY | DESCRIPTION                   | SERIAL NUMBER/REMARKS | SVC |
|------------------|--------------|------|-----|-------------------------------|-----------------------|-----|
| Fig.306          | NPN          |      | RF  | CASSETTE HEATER ASSEMBLY      | JP                    |     |
| 1                | FC9-3675-000 |      | 1   | MOUNT, CASSETTE HEATER        |                       |     |
| 2                | FM3-8915-000 |      | 1   | CASSETTE HEATER ASSEMBLY      | H2                    |     |
| 3                | FU6-8647-000 |      | 1   | LABEL, HIGH TMP. CAUTION      |                       |     |
| 4                | XA9-1031-000 |      | 1   | SCREW, MACH. TRUSS HEAD, M4X6 |                       |     |

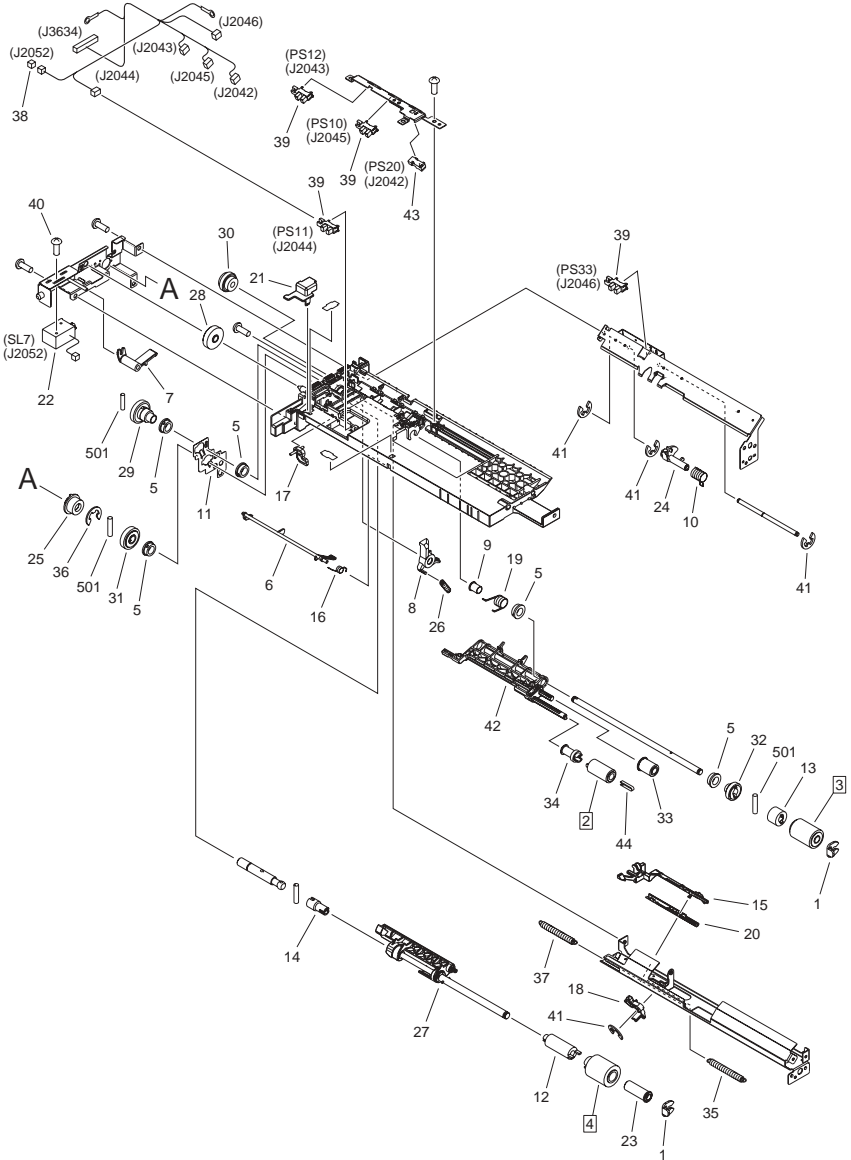
# FIGURE 310 PAPER PICK-UP ASS'Y, RIGHT



| FIGURE & KEY NO. | PARTS NUMBER | R<br>A<br>N<br>K | Q'TY | DESCRIPTION                    | SERIAL NUMBER/<br>REMARKS | S<br>V<br>C |
|------------------|--------------|------------------|------|--------------------------------|---------------------------|-------------|
| Fig.310          | FM4-0963-010 |                  | 3    | PAPER PICK-UP ASSY, RIGHT      |                           |             |
| 1                | FB4-2007-000 |                  | 2    | RING, RETAINING                |                           |             |
| 2                | FC5-2524-000 |                  | 1    | ROLLER, PAPER PICK-UP          | [DP]                      |             |
| 3                | FC5-2526-000 |                  | 1    | ROLLER, PAPER FEEDER           | [DP]                      |             |
| 4                | FC5-2528-000 |                  | 1    | ROLLER, SEPARATION             | [DP]                      |             |
| 5                | FC9-8060-000 |                  | 1    | SPRING, TORSION                |                           |             |
| 6                | FC5-2537-010 |                  | 1    | LEVER, PAPER SENSOR            |                           |             |
| 7                | FC5-2538-000 |                  | 1    | GUIDE, SWING                   |                           |             |
| 8                | FC5-2540-000 |                  | 1    | ARM, PICK-UP                   |                           |             |
| 9                | FC8-9043-000 |                  | 1    | ARM, RELEASE                   |                           |             |
| 10               | FC5-2548-000 |                  | 1    | COLLAR, SPRING                 |                           |             |
| 11               | FC5-2573-000 |                  | 1    | PLATE, GROUNDING               |                           |             |
| 12               | FC5-6211-000 |                  | 1    | PLATE, SHAFT GROUNDING, FEEDER |                           |             |
| 13               | FC5-6245-000 |                  | 1    | LIMITER, TORQUE                |                           |             |
| 14               | FC5-6260-000 |                  | 1    | COVER, CONNECTOR               |                           |             |
| 15               | FC6-3863-000 |                  | 1    | CLUTCH, ONE-WAY                |                           |             |
| 16               | FC9-4290-000 |                  | 1    | JOINT, RETARD                  |                           |             |
| 17               | FC8-7812-000 |                  | 1    | FLAG, VERTICAL PATH SENSOR     |                           |             |
| 18               | FC8-7813-000 |                  | 1    | SPRING, TORSION                |                           |             |
| 19               | FC8-9045-000 |                  | 1    | ARM, RELEASE, PAPER PICK-UP    |                           |             |
| 20               | FC8-9046-000 |                  | 1    | ARM, SEPARATION PRESSURE       |                           |             |
| 21               | FC8-9047-000 |                  | 1    | SPRING, TORSION                |                           |             |
| 22               | FC8-9044-000 |                  | 1    | SLIDER, LINK                   |                           |             |
| 23               | FC9-3970-000 |                  | 1    | PLATE, V. PATH SENSOR FLAG     |                           |             |
| 24               | FL3-4906-000 |                  | 1    | SOLENOID                       | SL3,SL4,SL6               |             |
| 25               | FL2-1401-000 |                  | 1    | HOLDER, BEARING                |                           |             |
| 26               | FL3-2254-000 |                  | 1    | CLUTCH, ONE-WAY                |                           |             |
| 27               | FL3-4911-000 |                  | 1    | MOUNT, SEPARATION ROLLER       |                           |             |
| 28               | FU5-0183-000 |                  | 1    | GEAR, 30T                      |                           |             |
| 29               | FU5-0184-000 |                  | 1    | GEAR, 16T/25T                  |                           |             |
| 30               | FU5-0185-000 |                  | 1    | GEAR, 18T/32T                  |                           |             |
| 31               | FU5-0186-000 |                  | 1    | GEAR, 24T                      |                           |             |

| FIGURE & KEY NO. | PARTS NUMBER | RANK | Q'TY | DESCRIPTION                    | SERIAL NUMBER/REMARKS                                    | SVC |
|------------------|--------------|------|------|--------------------------------|--|-----|
| 32               | FU5-0187-000 |      | 1    | GEAR, 50T                      |  |     |
| 33               | FU5-0188-000 |      | 1    | GEAR, 34T                      |  |     |
| 34               | FU5-0263-000 |      | 1    | GEAR, 32T                      |  |     |
| 35               | FU5-2162-000 |      | 1    | SPRING, TENSION                |  |     |
| 36               | FU7-2366-000 |      | 1    | SPRING, TENSION                |  |     |
| 37               | VS1-8412-017 |      | 1    | CONNECTOR, SNAP TIGHT, BL      |  |     |
| 38               | VS1-7177-002 |      | 1    | CONNECTOR, SNAP TIGHT, BK      |  |     |
| 39               | WG8-5848-000 |      | 4    | PHOTO-INTERRUPTER,GP1A173LCS0F | PS6,PS7,PS8,PS13,PS14,PS17,PS18,PS26,PS27,PS32,PS68,PS71 |     |
| 40               | XA9-1659-000 |      | 2    | SCREW,M3X4                     |  |     |
| 41               | FC8-7809-000 |      | 1    | HOLDER, ROLLER SUPPORT         |  |     |
| 42               | XD9-0133-000 |      | 1    | RING, E                        |  |     |
| 43               | XD9-0137-010 |      | 1    | RING, E                        |  |     |
| 44               | XG9-0737-000 |      | 5    | BUSHING                        |  |     |
| 45               | FC5-2547-000 |      | 1    | COVER, SOLENOID CABLE          |  |     |
| 46               | FK2-6470-000 |      | 1    | PHOTO-SENSOR, KUA0055C         | PS19,PS21,PS22   |     |
| 47               | FC7-5845-000 |      | 1    | STOPPER, ROLLER                |  |     |
| 501              | XD3-2300-142 |      | 3    | PIN, PARALLEL                  |  |     |

# FIGURE 311 PAPER PICK-UP ASS'Y, LEFT

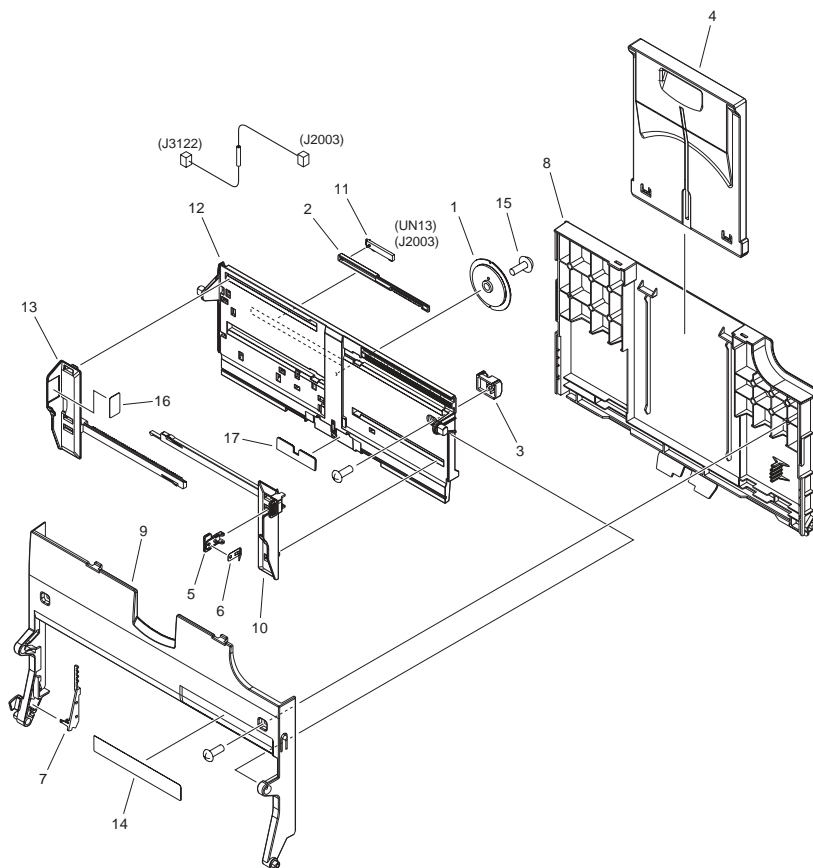




| FIGURE & KEY NO. | PARTS NUMBER | RANK | Q'TY | DESCRIPTION                    | SERIAL NUMBER/REMARKS | SVC |
|------------------|--------------|------|------|--------------------------------|-----------------------|-----|
| Fig.311          | FM4-0964-010 |      | 1    | PAPER PICK-UP ASS'Y, LEFT      |                       |     |
| 1                | FB4-2007-000 |      | 2    | RING, RETAINING                |                       |     |
| 2                | FC5-2524-000 |      | 1    | ROLLER, PAPER PICK-UP          | [DP]                  |     |
| 3                | FC5-2526-000 |      | 1    | ROLLER, PAPER FEEDER           | [DP]                  |     |
| 4                | FC5-2528-000 |      | 1    | ROLLER, SEPARATION             | [DP]                  |     |
| 5                | XG9-0737-000 |      | 5    | BUSHING                        |                       |     |
| 6                | FC5-2537-010 |      | 1    | LEVER, PAPER SENSOR            |                       |     |
| 7                | FC5-2540-000 |      | 1    | ARM, PICK-UP                   |                       |     |
| 8                | FC5-2635-000 |      | 1    | LEVER, FIXING/FEEDER RELEASE   |                       |     |
| 9                | FC5-2548-000 |      | 1    | COLLAR, SPRING                 |                       |     |
| 10               | FC5-2638-000 |      | 1    | SPRING, TORSION                |                       |     |
| 11               | FC5-6211-000 |      | 1    | PLATE, SHAFT GROUNDING, FEEDER |                       |     |
| 12               | FC5-6245-000 |      | 1    | LIMITER, TORQUE                |                       |     |
| 13               | FC6-3863-000 |      | 1    | CLUTCH, ONE-WAY                |                       |     |
| 14               | FC9-4290-000 |      | 1    | JOINT, RETARD                  |                       |     |
| 15               | FC8-9043-000 |      | 1    | ARM, RELEASE                   |                       |     |
| 16               | FC9-8060-000 |      | 1    | SPRING, TORSION                |                       |     |
| 17               | FC8-9045-000 |      | 1    | ARM, RELEASE, PAPER PICK-UP    |                       |     |
| 18               | FC8-9046-000 |      | 1    | ARM, SEPARATION PRESSURE       |                       |     |
| 19               | FC8-9047-000 |      | 1    | SPRING, TORSION                |                       |     |
| 20               | FC8-9044-000 |      | 1    | SLIDER, LINK                   |                       |     |
| 21               | FC5-2547-000 |      | 1    | COVER, SOLENOID CABLE          |                       |     |
| 22               | FL3-4906-000 |      | 1    | SOLENOID                       | SL7                   |     |
| 23               | FL2-1401-000 |      | 1    | HOLDER, BEARING                |                       |     |
| 24               | FL2-8916-000 |      | 1    | FLAG, DECK PATH SENSOR, LEFT   |                       |     |
| 25               | FL3-2254-000 |      | 1    | CLUTCH, ONE-WAY                |                       |     |
| 26               | FU5-2142-000 |      | 1    | SPRING, TENSION                |                       |     |
| 27               | FL3-4911-000 |      | 1    | MOUNT, SEPARATION ROLLER       |                       |     |
| 28               | FU5-0183-000 |      | 1    | GEAR, 30T                      |                       |     |
| 29               | FU5-0184-000 |      | 1    | GEAR, 16T/25T                  |                       |     |
| 30               | FU5-0185-000 |      | 1    | GEAR, 18T/32T                  |                       |     |
| 31               | FU5-0186-000 |      | 1    | GEAR, 24T                      |                       |     |

| FIGURE & KEY NO. | PARTS NUMBER | RANK | Q'TY | DESCRIPTION                    | SERIAL NUMBER/REMARKS | SVC |
|------------------|--------------|------|------|--------------------------------|-----------------------|-----|
| 32               | FU5-0187-000 |      | 1    | GEAR, 50T                      |                       |     |
| 33               | FU5-0188-000 |      | 1    | GEAR, 34T                      |                       |     |
| 34               | FU5-0263-000 |      | 1    | GEAR, 32T                      |                       |     |
| 35               | FU5-2162-000 |      | 1    | SPRING, TENSION                |                       |     |
| 36               | XD9-0137-010 |      | 1    | RING, E                        |                       |     |
| 37               | FU7-2366-000 |      | 1    | SPRING, TENSION                |                       |     |
| 38               | VS1-7177-002 |      | 1    | CONNECTOR, SNAP TIGHT, BK      |                       |     |
| 39               | WG8-5848-000 |      | 4    | PHOTO-INTERRUPTER,GP1A173LCS0F | PS10,PS11,PS12,PS33   |     |
| 40               | XA9-1659-000 |      | 2    | SCREW,M3X4                     |                       |     |
| 41               | XD9-0133-000 |      | 4    | RING, E                        |                       |     |
| 42               | FC8-7809-000 |      | 1    | HOLDER, ROLLER SUPPORT         |                       |     |
| 43               | FK2-6470-000 |      | 1    | PHOTO-SENSOR, KUA0055C         | PS20                  |     |
| 44               | FC7-5845-000 |      | 1    | STOPPER, ROLLER                |                       |     |
| 501              | XD3-2300-142 |      | 3    | PIN, PARALLEL                  |                       |     |

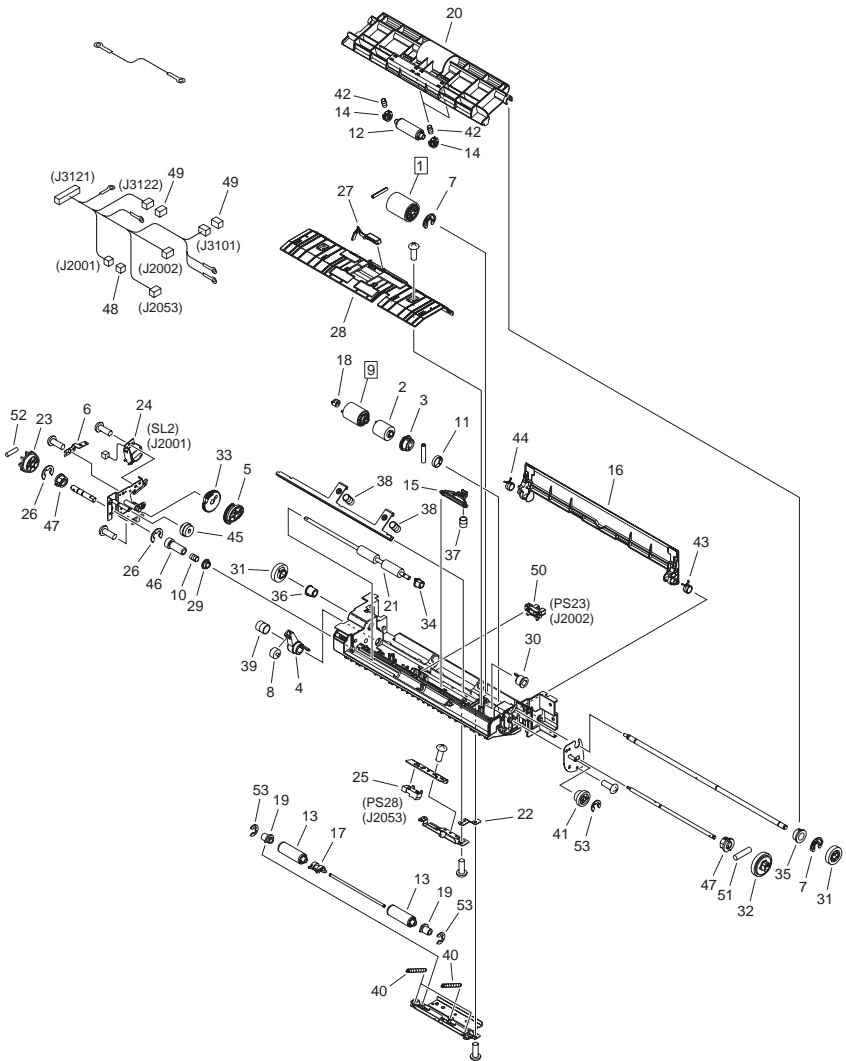
# FIGURE 312 MULTI TRAY ASS'Y



NOTE : This assembly does not include the part shown with key No. 14.  
 注 : このユニットにKey No. 14の部品は含まれません。

| FIGURE & KEY NO. | PARTS NUMBER | R<br>A<br>N<br>K | Q'TY | DESCRIPTION                   | SERIAL NUMBER/<br>REMARKS      | S<br>V<br>C |
|------------------|--------------|------------------|------|-------------------------------|--------------------------------|-------------|
| Fig.312          | FM3-7368-000 |                  | 1    | MULTI TRAY ASS'Y              |                                |             |
| 1                | FB6-3456-000 |                  | 1    | GEAR, 46T/20T                 |                                |             |
| 2                | FB6-3457-000 |                  | 1    | RACK                          |                                |             |
| 3                | FB6-3459-000 |                  | 1    | BLOCK, SIDE REGIST. ADJUSTING |                                |             |
| 4                | FC8-2708-000 |                  | 1    | TRAY, SECOND                  |                                |             |
| 5                | FC8-2712-000 |                  | 1    | STOPPER, SIDE                 |                                |             |
| 6                | FC8-2713-000 |                  | 1    | SPRING, LEAF                  |                                |             |
| 7                | FC8-2727-000 |                  | 1    | COVER, MULTI CABLE            |                                |             |
| 8                | FC8-7274-000 |                  | 1    | COVER, MULTI TRAY, LOWER      |                                |             |
| 9                | FC8-7275-000 |                  | 1    | COVER, MULTI INNER            |                                |             |
| 10               | FC9-8061-000 |                  | 1    | PLATE, PAPER SIDE END, FRONT  |                                |             |
| 11               | FH7-7600-010 |                  | 1    | SLIDE VOLUME SENSOR UNIT      | UN13                           |             |
| 12               | FL3-3172-000 |                  | 1    | PLATE, MULTI PRESSURE         |                                |             |
| 13               | FL3-3609-000 |                  | 1    | PLATE, PAPER SIDE END, REAR   |                                |             |
| 14               | FU7-8496-000 |                  | 1    | LABEL, MULTI SIZE             | SEE NOTE JP                    |             |
| 14               | FU7-8497-000 |                  | 1    | LABEL, MULTI SIZE             | SEE NOTE US,CA,LTN             |             |
| 14               | FU7-8498-000 |                  | 1    | LABEL, MULTI SIZE             | SEE NOTE EUR                   |             |
| 14               | FU7-8499-000 |                  | 1    | LABEL, MULTI SIZE             | SEE NOTE<br>LTN,SG,HK,KR,AU,CN |             |
| 15               | XA9-1523-000 |                  | 1    | SCREW, B, M4X8                |                                |             |
| 16               | FC9-7165-000 |                  | 1    | LABEL, MAXIMUM LOAD           |                                |             |
| 17               | FB6-4937-000 |                  | 1    | SHEET, SEPARATION             |                                |             |

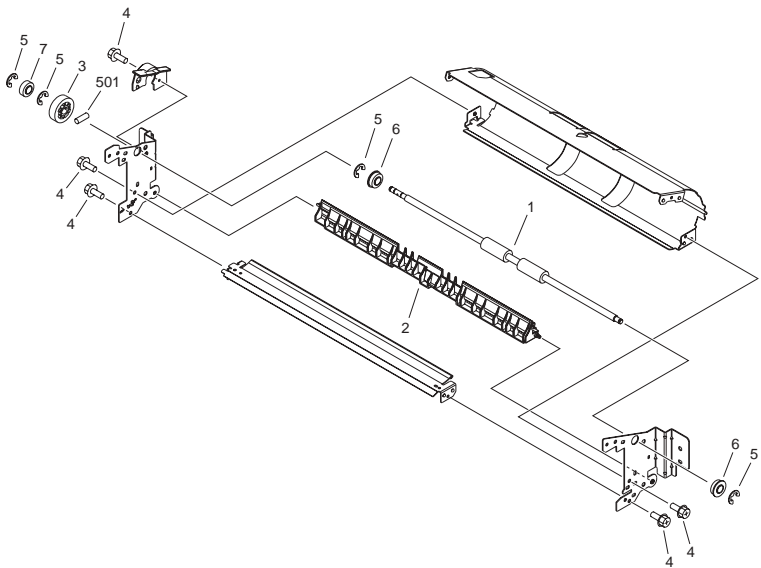
FIGURE 313  
MULTI PAPER PICK-UP ASS'Y



| FIGURE & KEY NO. | PARTS NUMBER | R<br>A<br>N<br>K | Q'TY | DESCRIPTION                   | SERIAL NUMBER/<br>REMARKS | S<br>V<br>C |
|------------------|--------------|------------------|------|-------------------------------|---------------------------|-------------|
| Fig.313          | FM3-7367-000 |                  | 1    | MULTI PAPER PICK-UP ASS'Y     |                           |             |
| 1                | FB1-8581-000 |                  | 1    | ROLLER, PAPER PICK-UP         | [DP]                      |             |
| 2                | FB6-3410-000 |                  | 1    | LIMITER, TORQUE               |                           |             |
| 3                | FB6-3463-000 |                  | 1    | CLUTCH                        |                           |             |
| 4                | FB6-3466-000 |                  | 1    | CAM, JOINT                    |                           |             |
| 5                | FB6-3467-000 |                  | 1    | GEAR, 27T                     |                           |             |
| 6                | FC5-2179-000 |                  | 1    | PLATE, M.P. GROUNDING, REAR   |                           |             |
| 7                | FC5-2715-000 |                  | 2    | RING, RETAINING               |                           |             |
| 8                | FC5-5078-000 |                  | 1    | ROLLER, ARM                   |                           |             |
| 9                | FC6-6661-000 |                  | 1    | ROLLER, SEPARATION            | [DP]                      |             |
| 10               | FC7-5009-000 |                  | 1    | SPRING, COMPRESSION           |                           |             |
| 11               | FC7-5167-000 |                  | 1    | SPRING, TORSION               |                           |             |
| 12               | FC7-7207-000 |                  | 2    | ROLLER, DRIVEN                |                           |             |
| 13               | FC7-7208-000 |                  | 2    | ROLLER, DRIVEN                |                           |             |
| 14               | FC7-7209-000 |                  | 4    | BUSHING, VERTICAL ROLLER      |                           |             |
| 15               | FB6-3464-000 |                  | 1    | HOLDER, SEPARATION ROLLER     |                           |             |
| 16               | FL3-5030-000 |                  | 1    | COVER, TRAY AUXILIARY         |                           |             |
| 17               | FC8-7271-000 |                  | 1    | BUSHING                       |                           |             |
| 18               | FC8-0785-000 |                  | 1    | HEAD, SEPARATION ROLLER SHAFT |                           |             |
| 19               | FC8-7273-000 |                  | 2    | BUSHING                       |                           |             |
| 20               | FC9-3956-000 |                  | 1    | GUIDE, MULTI PAPER PICK-UP    |                           |             |
| 21               | FC9-8082-000 |                  | 1    | ROLLER, MULTI EXTRACTION      |                           |             |
| 22               | FC9-8805-000 |                  | 1    | PLATE, GROUNDING              |                           |             |
| 23               | FC9-9157-000 |                  | 1    | COUPLING                      |                           |             |
| 24               | FK2-0115-000 |                  | 1    | SOLENOID                      | SL2                       |             |
| 25               | FK2-6470-000 |                  | 1    | PHOTO-SENSOR, KUA0055C        | PS28                      |             |
| 26               | XD9-0136-000 |                  | 2    | RING, E                       |                           |             |
| 27               | FL2-2925-000 |                  | 1    | FLAG, PAPER SENSOR            |                           |             |
| 28               | FL3-2811-000 |                  | 1    | GUIDE, MULTI, LOWER           |                           |             |
| 29               | FS1-1569-000 |                  | 1    | BUSHING                       |                           |             |
| 30               | FS6-1058-000 |                  | 1    | BUSHING                       |                           |             |
| 31               | FU3-0296-000 |                  | 2    | GEAR, 24T                     |                           |             |

| FIGURE & KEY NO. | PARTS NUMBER | R<br>A<br>N<br>K | Q'TY | DESCRIPTION                    | SERIAL NUMBER/<br>REMARKS | S<br>V<br>C |
|------------------|--------------|------------------|------|--------------------------------|---------------------------|-------------|
| 32               | FU3-0297-000 |                  | 1    | GEAR, 36T                      |                           |             |
| 33               | FU5-0256-000 |                  | 1    | GEAR, 48T                      |                           |             |
| 34               | FU5-1036-000 |                  | 1    | BUSHING                        |                           |             |
| 35               | FU6-1184-000 |                  | 1    | BUSHING                        |                           |             |
| 36               | FU6-1185-000 |                  | 1    | BUSHING                        |                           |             |
| 37               | FU6-2925-000 |                  | 1    | SPRING, COMPRESSION            |                           |             |
| 38               | FU6-2926-000 |                  | 2    | SPRING, COMPRESSION            |                           |             |
| 39               | FU6-2927-000 |                  | 1    | SPRING, COMPRESSION            |                           |             |
| 40               | FU7-2689-000 |                  | 3    | SPRING, TENSION                |                           |             |
| 41               | FU8-0182-000 |                  | 1    | GEAR, 18T/27T                  |                           |             |
| 42               | FU8-2317-000 |                  | 4    | SPRING, COMPRESSION            |                           |             |
| 43               | FU8-2321-000 |                  | 1    | SPRING, TORSION                |                           |             |
| 44               | FU8-2322-000 |                  | 1    | SPRING, TORSION                |                           |             |
| 45               | FU9-0152-000 |                  | 1    | GEAR, 27T/24T                  |                           |             |
| 46               | FU9-0153-000 |                  | 1    | GEAR, 13T                      |                           |             |
| 47               | RS5-1567-000 |                  | 2    | BUSHING                        |                           |             |
| 48               | VS1-7177-002 |                  | 1    | CONNECTOR, SNAP TIGHT, BK      |                           |             |
| 49               | VS1-7177-003 |                  | 2    | CONNECTOR, SNAP TIGHT, BK      |                           |             |
| 50               | WG8-5848-000 |                  | 1    | PHOTO-INTERRUPTER,GP1A173LCS0F | PS23                      |             |
| 51               | XD9-0290-000 |                  | 1    | PIN, PARALLEL                  |                           |             |
| 52               | XD9-0300-000 |                  | 1    | PIN, PARALLEL                  |                           |             |
| 53               | XD9-0134-000 |                  | 3    | RING, E                        |                           |             |

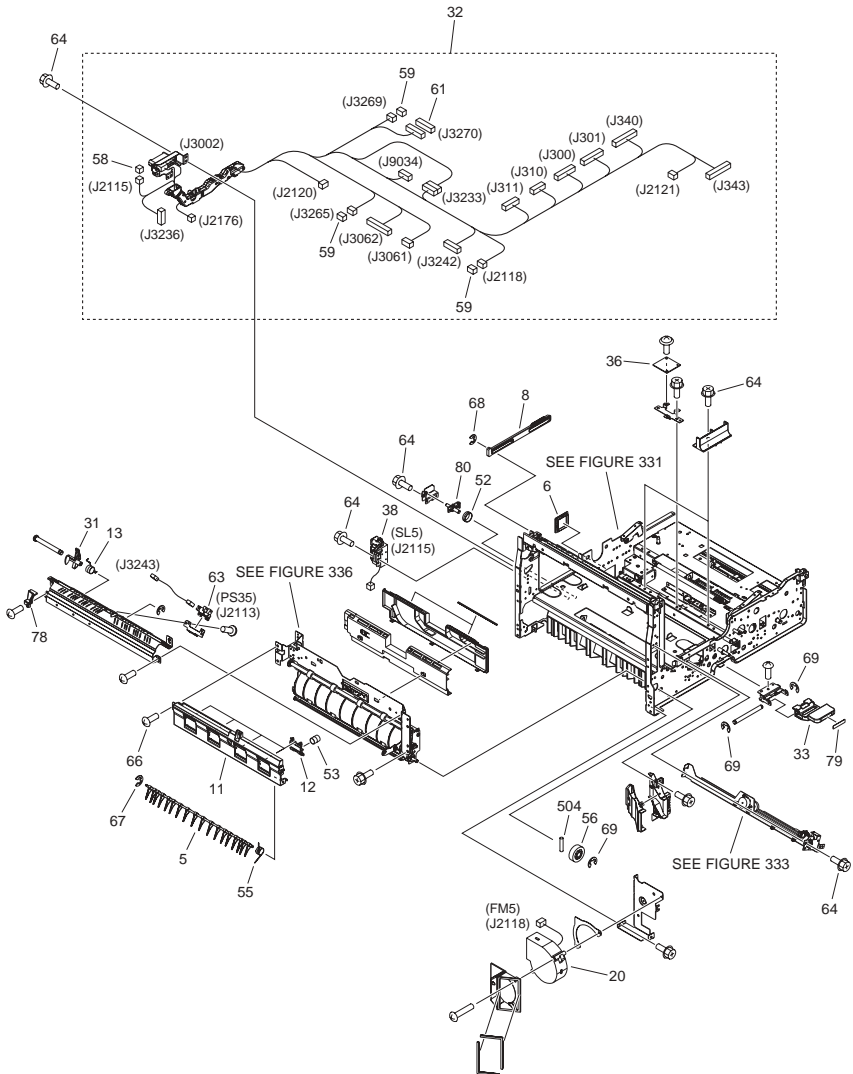
# FIGURE 315 PRE-REGISTRATION GUIDE ASS'Y

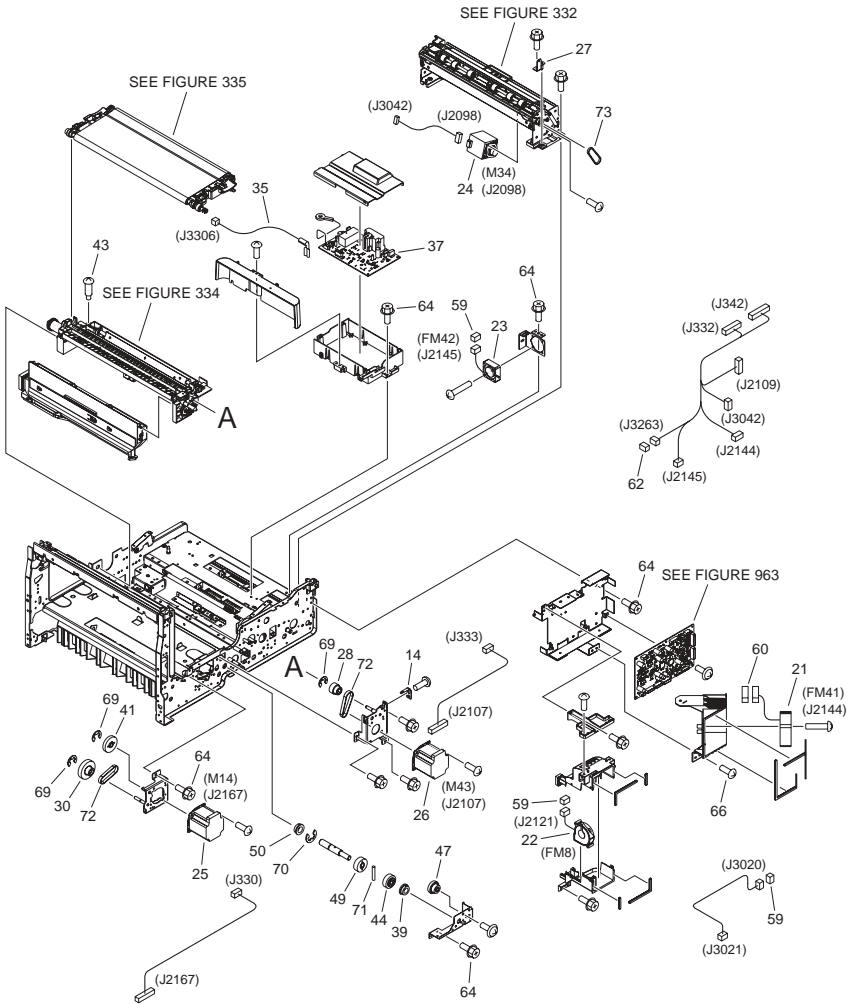


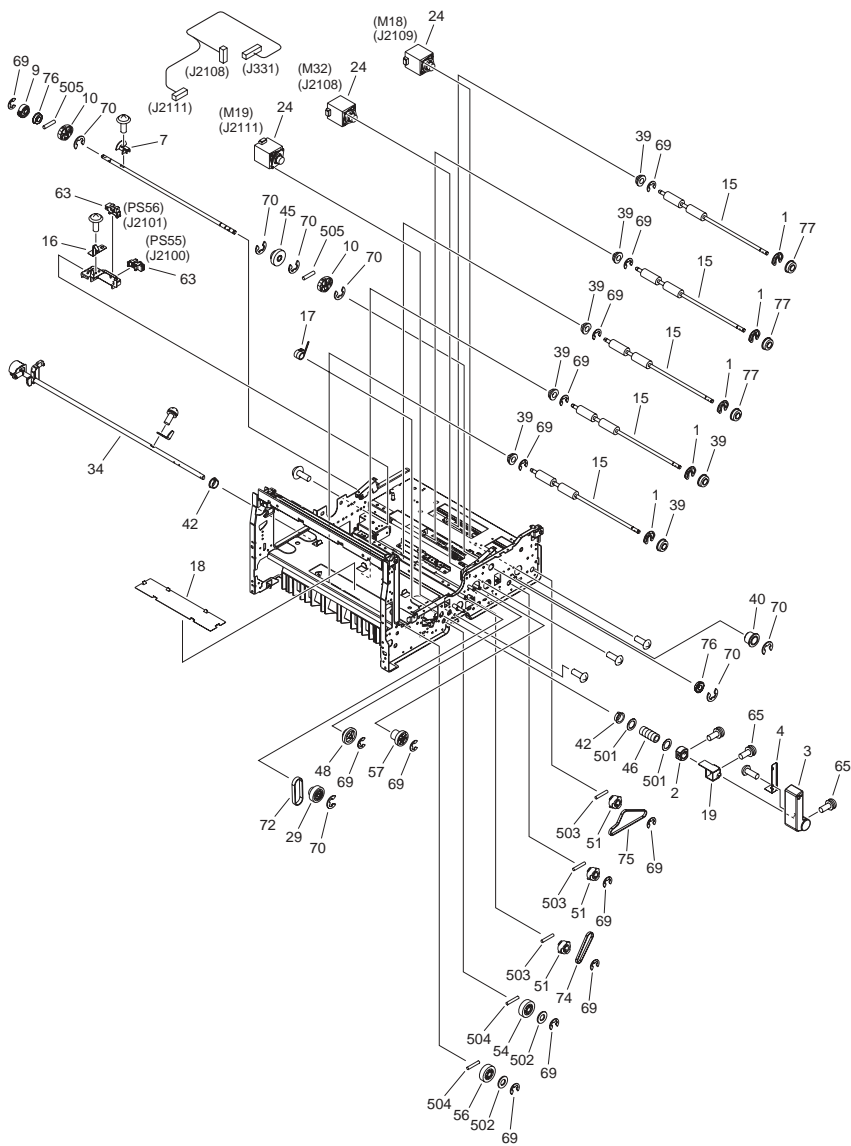
| FIGURE & KEY NO. | PARTS NUMBER | RANK | QTY | DESCRIPTION                  | SERIAL NUMBER/REMARKS | SVC |
|------------------|--------------|------|-----|------------------------------|-----------------------|-----|
| Fig.315          | FM3-7375-000 |      | 1   | PRE-REGISTRATION GUIDE ASS'Y |                       |     |
| 1                | FC8-9354-000 |      | 1   | ROLLER, PRE-REGISTRATION     |                       |     |
| 2                | FL3-0277-000 |      | 1   | GUIDE, MOVABLE               |                       |     |
| 3                | FU8-0333-000 |      | 1   | GEAR, 24T                    |                       |     |
| 4                | XA9-1386-000 |      | 7   | SCREW,RS,M3X8                |                       |     |
| 5                | XD9-0136-000 |      | 4   | RING, E                      |                       |     |
| 6                | XG9-0707-000 |      | 2   | BEARING, BALL, MF126ZZ-1     |                       |     |
| 7                | XG9-0706-000 |      | 1   | BEARING, BALL, MR126ZZ-1     |                       |     |
| 501              | XD3-2200-122 |      | 1   | PIN, PARALLEL                |                       |     |



**FIGURE 330**  
**FIXING/FEEDEr DUPLEXING ASS'Y**





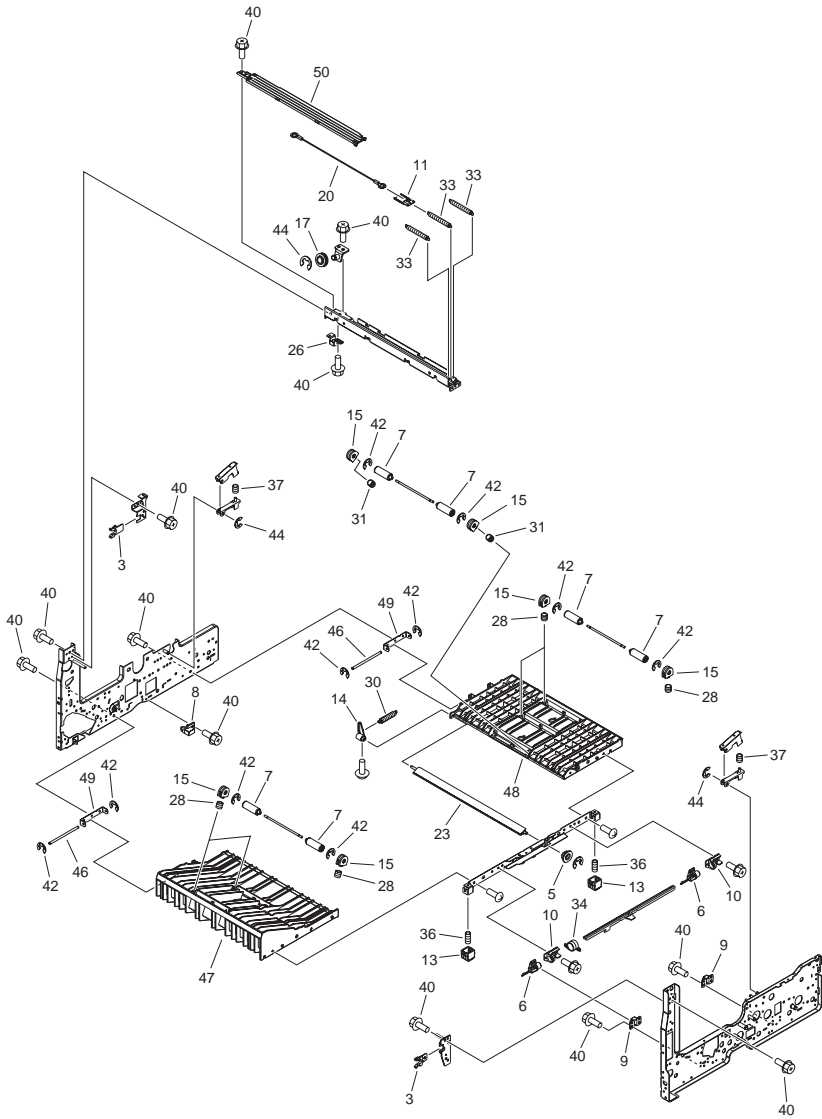


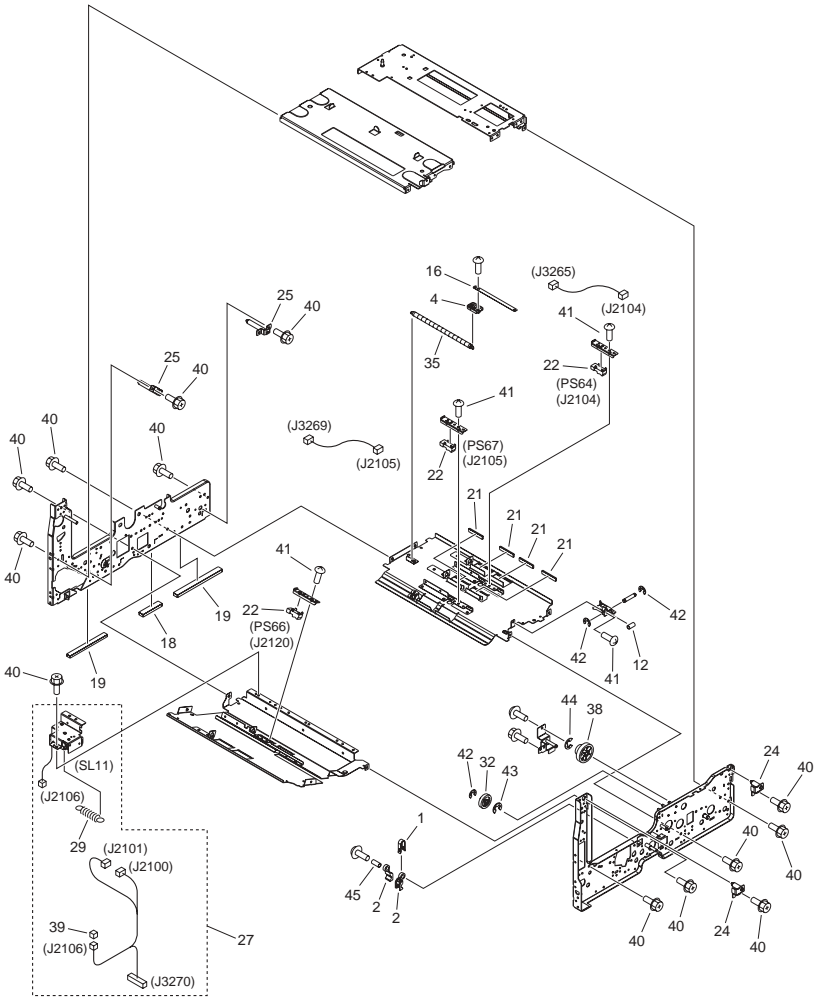
| FIGURE & KEY NO. | PARTS NUMBER | R<br>A<br>N<br>K | Q'TY | DESCRIPTION                   | SERIAL NUMBER/<br>REMARKS | S<br>V<br>C |
|------------------|--------------|------------------|------|-------------------------------|---------------------------|-------------|
| Fig.330          | NPN          |                  | 1    | FIXING/FEEDER DUPLEXING ASSY  |                           |             |
| 1                | FB6-6088-000 |                  | 5    | RING, RETAINING               |                           |             |
| 2                | FC5-2108-000 |                  | 1    | CAM, PRESSURE                 |                           |             |
| 3                | FC5-2386-000 |                  | 1    | HANDLE, TRANSFER FRAME, LOWER |                           |             |
| 4                | FC5-5170-000 |                  | 1    | PLATE, GROUNDING              |                           |             |
| 5                | FC6-1968-000 |                  | 1    | FLAPPER, DUPLEXING REVERSE    |                           |             |
| 6                | FC6-9542-000 |                  | 1    | BUSHING                       |                           |             |
| 7                | FC8-7171-000 |                  | 1    | FLAG, CAM SENSOR              |                           |             |
| 8                | FC8-7192-000 |                  | 1    | RACK, RELEASE ARM             |                           |             |
| 9                | FC8-7199-000 |                  | 1    | GEAR, 26T                     |                           |             |
| 10               | FC8-7200-000 |                  | 2    | CAM, BELT PRESSURE            |                           |             |
| 11               | FC8-7327-000 |                  | 1    | GUIDE, REVERSE, LEFT          |                           |             |
| 12               | FC8-7328-000 |                  | 4    | GUIDE, REVERSE SWING          |                           |             |
| 13               | FC8-9450-000 |                  | 1    | SPRING, TORSION               |                           |             |
| 14               | FC8-9664-000 |                  | 1    | SPRING, GROUNDING             |                           |             |
| 15               | FC9-5463-000 |                  | 5    | ROLLER, DUPLEXING PAPER FEED  |                           |             |
| 16               | FC9-5700-000 |                  | 1    | PLATE, CLEANER GROUNDING      |                           |             |
| 17               | FC9-7845-000 |                  | 1    | SPRING, TORSION               |                           |             |
| 18               | FC9-8828-000 |                  | 1    | SHEET, FIXING CROSSMEMBER     |                           |             |
| 19               | FC9-9067-000 |                  | 1    | STOPPER, HANDLE               |                           |             |
| 20               | FH6-1548-040 |                  | 1    | FAN, COOLING                  | FM5                       |             |
| 21               | FK2-3100-000 |                  | 1    | FAN                           | FM41                      |             |
| 22               | FK2-3149-000 |                  | 1    | FAN                           | FM8                       |             |
| 23               | FK2-7241-000 |                  | 1    | FAN                           | FM42                      |             |
| 24               | FK2-7674-000 |                  | 4    | MOTOR, STEPPING, DC           | M18,M19,M32,M34           |             |
| 25               | FK2-7675-000 |                  | 1    | MOTOR, STEPPING, DC           | M14                       |             |
| 26               | FK2-7719-000 |                  | 1    | MOTOR, STEPPING, DC           | M43                       |             |
| 27               | FL3-0293-000 |                  | 1    | PLATE, POSITIONING            |                           |             |
| 28               | FL3-2171-000 |                  | 1    | GEAR, 26T/PULLEY, 30T         |                           |             |
| 29               | FL3-2814-000 |                  | 1    | GEAR, 30T/PULLEY, 28T         |                           |             |
| 30               | FL3-3018-000 |                  | 1    | GEAR, 39T/PULLEY, 28T         |                           |             |
| 31               | FL3-3868-000 |                  | 1    | LEVER, REVERSE SENSOR         |                           |             |

| FIGURE & KEY NO. | PARTS NUMBER | R<br>A<br>N<br>K | Q'TY | DESCRIPTION                    | SERIAL NUMBER/<br>REMARKS | S<br>V<br>C |
|------------------|--------------|------------------|------|--------------------------------|---------------------------|-------------|
| 32               | FM4-9809-000 |                  | 1    | CABLE, FIXING/FEEDER DRAWER    |                           |             |
| 33               | FC9-9102-000 |                  | 1    | HANDLE, OPEN/CLOSE             |                           |             |
| 34               | FM4-0912-000 |                  | 1    | FIXING/FEEDER LOCK HANDLE UNIT |                           |             |
| 35               | FM4-1051-000 |                  | 1    | CABLE, TRANSFER HIGH VOLTAGE   |                           |             |
| 36               | FM4-1089-000 |                  | 1    | DC-DC CONVERT PCB ASS'Y        |                           |             |
| 37               | FM4-1095-000 |                  | 1    | TRANSFER H.V. PCB ASS'Y        |                           |             |
| 38               | FM4-5141-000 |                  | 1    | REVERSE SOLENOID ASS'Y         | SL5                       |             |
| 39               | FS1-1508-000 |                  | 8    | BUSHING                        |                           |             |
| 40               | FS2-6458-000 |                  | 1    | ROLLER                         |                           |             |
| 41               | FS5-0395-000 |                  | 1    | GEAR, 25T                      |                           |             |
| 42               | FS5-1474-000 |                  | 2    | BUSHING                        |                           |             |
| 43               | FS5-9227-020 |                  | 1    | SCREW, STEPPED, M4             |                           |             |
| 44               | FU3-0339-000 |                  | 1    | GEAR, 20T                      |                           |             |
| 45               | FU9-0314-000 |                  | 1    | GEAR, 30T                      |                           |             |
| 46               | FU5-2154-000 |                  | 1    | SPRING, COMPRESSION            |                           |             |
| 47               | FU6-0137-000 |                  | 1    | GEAR, 27T/18T                  |                           |             |
| 48               | FU6-0138-000 |                  | 1    | GEAR, 32T/19T                  |                           |             |
| 49               | FU6-0603-000 |                  | 1    | GEAR, 30T                      |                           |             |
| 50               | FU6-1199-000 |                  | 1    | BUSHING                        |                           |             |
| 51               | FU6-3053-000 |                  | 3    | PULLEY, 22T                    |                           |             |
| 52               | FU7-2699-000 |                  | 1    | SPRING, COMPRESSION            |                           |             |
| 53               | FU7-2702-000 |                  | 4    | SPRING, COMPRESSION            |                           |             |
| 54               | FU8-0333-000 |                  | 1    | GEAR, 24T                      |                           |             |
| 55               | FU8-2343-000 |                  | 1    | SPRING, TORSION                |                           |             |
| 56               | FU9-0048-000 |                  | 2    | GEAR, 19T                      |                           |             |
| 57               | FU9-0083-000 |                  | 1    | GEAR, 33T/20T                  |                           |             |
| 58               | VS1-7177-002 |                  | 1    | CONNECTOR, SNAP TIGHT, BK      |                           |             |
| 59               | VS1-7177-003 |                  | 6    | CONNECTOR, SNAP TIGHT, BK      |                           |             |
| 60               | VS1-7177-004 |                  | 1    | CONNECTOR, SNAP TIGHT, BK      |                           |             |
| 61               | VS1-7177-008 |                  | 1    | CONNECTOR, SNAP TIGHT, BK      |                           |             |
| 62               | VS1-8412-003 |                  | 1    | CONNECTOR, SNAP TIGHT, BL      |                           |             |
| 63               | WG8-5848-000 |                  | 3    | PHOTO-INTERRUPTER,GP1A173LCS0F | PS35,PS55,PS56            |             |

| FIGURE & KEY NO. | PARTS NUMBER | RANK | Q'TY | DESCRIPTION                   | SERIAL NUMBER/REMARKS | SVC |
|------------------|--------------|------|------|-------------------------------|-----------------------|-----|
| 64               | XA9-0732-000 |      | AR   | SCREW,RS,M4                   |                       |     |
| 65               | XA9-0961-000 |      | 2    | SCREW, WWASHER, M4X10         |                       |     |
| 66               | XA9-1031-000 |      | 6    | SCREW, MACH. TRUSS HEAD, M4X6 |                       |     |
| 67               | XD9-0134-000 |      | 1    | RING, E                       |                       |     |
| 68               | XD9-0135-000 |      | 1    | RING, E                       |                       |     |
| 69               | XD9-0136-000 |      | AR   | RING, E                       |                       |     |
| 70               | XD9-0137-010 |      | 9    | RING, E                       |                       |     |
| 71               | XD9-0292-000 |      | 1    | PIN, PARALLEL                 |                       |     |
| 72               | XF2-1606-260 |      | 3    | BELT, TIMING, COGGED          |                       |     |
| 73               | XF2-1607-040 |      | 1    | BELT, TIMING                  |                       |     |
| 74               | XF2-1607-440 |      | 1    | BELT, TIMING                  |                       |     |
| 75               | XF2-1610-440 |      | 1    | BELT, TIMING, COGGED          |                       |     |
| 76               | XG9-0365-000 |      | 2    | BEARING, BALL                 |                       |     |
| 77               | XG9-0707-000 |      | 3    | BEARING, BALL, MF126ZZ-1      |                       |     |
| 78               | FC9-6182-000 |      | 1    | COVER, SENSOR                 |                       |     |
| 79               | FC9-9015-000 |      | 1    | LABEL, OPEN/CLOSE             |                       |     |
| 80               | FL3-1306-000 |      | 1    | LOCK, HANDLE                  |                       |     |
| 501              | XD1-1100-225 |      | 2    | WASHER, PLAIN                 |                       |     |
| 502              | XD1-1206-239 |      | 2    | WASHER, PLAIN                 |                       |     |
| 503              | XD3-2200-102 |      | 3    | PIN, DOWEL                    |                       |     |
| 504              | XD3-2200-122 |      | 4    | PIN, PARALLEL                 |                       |     |
| 505              | XD3-2300-142 |      | 2    | PIN, PARALLEL                 |                       |     |

FIGURE 331  
FIXING/FEEDEE FRAME ASS'Y



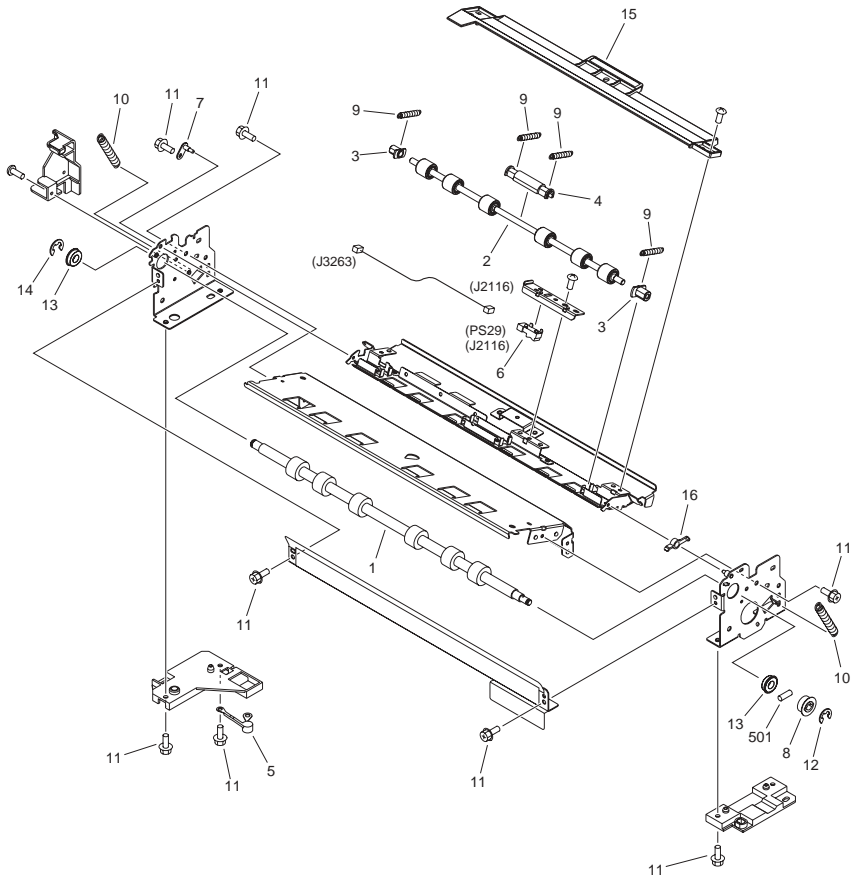




| FIGURE & KEY NO. | PARTS NUMBER | R<br>A<br>N<br>K | Q'TY | DESCRIPTION                    | SERIAL NUMBER/<br>REMARKS | S<br>V<br>C |
|------------------|--------------|------------------|------|--------------------------------|---------------------------|-------------|
| Fig.331          | NPN          |                  | RF   | FIXING/FEEDER FRAME ASS'Y      |                           |             |
| 1                | FC1-3975-020 |                  | 1    | SPRING, LEAF                   |                           |             |
| 2                | FC1-3976-000 |                  | 2    | PAD, BRAKE, PA                 |                           |             |
| 3                | FC5-2271-000 |                  | 2    | BUSHING                        |                           |             |
| 4                | FC5-5167-000 |                  | 1    | MOUNT, TAPE                    |                           |             |
| 5                | FC5-6287-000 |                  | 1    | BUSHING                        |                           |             |
| 6                | FC7-6972-000 |                  | 2    | HOOK, RIGHT DOOR, LOWER        |                           |             |
| 7                | FC7-7208-000 |                  | 10   | ROLLER, DRIVEN                 |                           |             |
| 8                | FC8-7297-000 |                  | 1    | BLOCK, ROLLER PRESSURE RELEASE |                           |             |
| 9                | FC8-7309-000 |                  | 2    | CATCH, GUIDE                   |                           |             |
| 10               | FC8-7324-000 |                  | 2    | BUSHING                        |                           |             |
| 11               | FC8-7334-000 |                  | 1    | HOOK                           |                           |             |
| 12               | FC8-7343-000 |                  | 1    | ROLLER, BELT                   |                           |             |
| 13               | FC8-8802-000 |                  | 2    | BLOCK, PUSHING                 |                           |             |
| 14               | FC9-5580-000 |                  | 1    | BUSHING                        |                           |             |
| 15               | FC9-7993-000 |                  | 10   | BUSHING                        |                           |             |
| 16               | FC9-8817-000 |                  | 1    | BAND, GUIDE                    |                           |             |
| 17               | FC9-8821-000 |                  | 1    | PULLEY, WIRE                   |                           |             |
| 18               | FC9-9104-000 |                  | 1    | SHEET, EXHAUST                 |                           |             |
| 19               | FC9-9105-000 |                  | 2    | SHEET, EXHAUST                 |                           |             |
| 20               | FC9-9152-000 |                  | 1    | WIRE, LIFT                     |                           |             |
| 21               | FC9-9162-000 |                  | 4    | BRUSH                          |                           |             |
| 22               | FK2-6470-000 |                  | 3    | PHOTO-SENSOR, KUA0055C         | PS64,PS66,PS67            |             |
| 23               | FL2-1167-000 |                  | 1    | FLAPPER                        |                           |             |
| 24               | FL3-0272-000 |                  | 2    | PIN, POSITIONING, FRONT        |                           |             |
| 25               | FL3-0273-000 |                  | 2    | PIN, POSITIONING, REAR         |                           |             |
| 26               | FL3-0297-000 |                  | 1    | ROLLER UNIT                    |                           |             |
| 27               | FM4-0889-000 |                  | 1    | SOLENOID ASSEMBLY              | SL11                      |             |
| 28               | FU8-2526-000 |                  | 8    | SPRING, COMPRESSION            |                           |             |
| 29               | FU5-2151-000 |                  | 1    | SPRING, TENSION                |                           |             |
| 30               | FU5-2152-000 |                  | 1    | SPRING, TENSION                |                           |             |
| 31               | FU5-2177-000 |                  | 2    | SPRING, COMPRESSION            |                           |             |

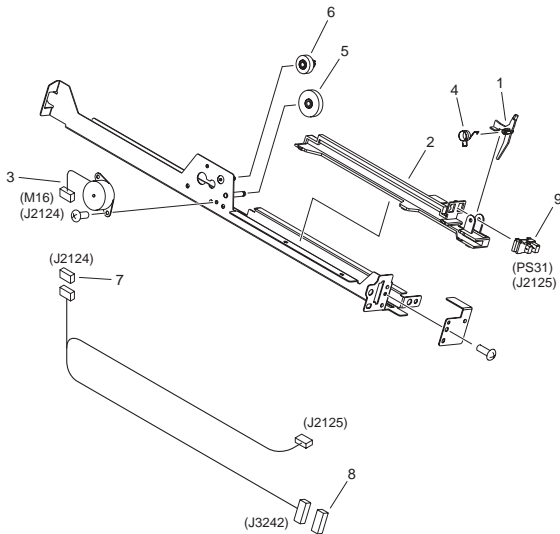
| FIGURE & KEY NO. | PARTS NUMBER | R A N K | Q'TY | DESCRIPTION               | SERIAL NUMBER/REMARKS | S V C |
|------------------|--------------|---------|------|---------------------------|-----------------------|-------|
| 32               | FU6-0139-000 |         | 1    | GEAR, 26T                 |                       |       |
| 33               | FU7-2701-000 |         | 3    | SPRING, TENSION           |                       |       |
| 34               | FU7-2703-000 |         | 1    | SPRING, TORSION           |                       |       |
| 35               | FU7-2704-000 |         | 1    | SPRING, TENSION           |                       |       |
| 36               | FU7-2838-000 |         | 2    | SPRING, COMPRESSION       |                       |       |
| 37               | FU8-2344-000 |         | 2    | SPRING, COMPRESSION       |                       |       |
| 38               | FU9-0082-000 |         | 1    | GEAR, 36T/18T             |                       |       |
| 39               | VS1-7177-002 |         | 1    | CONNECTOR, SNAP TIGHT, BK |                       |       |
| 40               | XA9-0732-000 |         | AR   | SCREW,RS,M4               |                       |       |
| 41               | XA9-0893-000 |         | 4    | SCREW, M4X8               |                       |       |
| 42               | XD9-0134-000 |         | AR   | RING, E                   |                       |       |
| 43               | XD9-0135-000 |         | 1    | RING, E                   |                       |       |
| 44               | XD9-0136-000 |         | 2    | RING, E                   |                       |       |
| 45               | XZ1-1401-205 |         | 1    | SPACER                    |                       |       |
| 46               | FC5-2051-000 |         | 2    | SHAFT, GUIDE SUPPORT      |                       |       |
| 47               | FC8-7321-000 |         | 1    | GUIDE, DUPLEXING LOWER, 1 |                       |       |
| 48               | FC8-7322-000 |         | 1    | GUIDE, DUPLEXING LOWER, 2 |                       |       |
| 49               | FC8-7323-000 |         | 2    | PLATE, HINGE FIXED        |                       |       |
| 50               | FC8-7333-000 |         | 1    | COVER, DAMPER             |                       |       |

# FIGURE 332 REGISTRATION ASS'Y



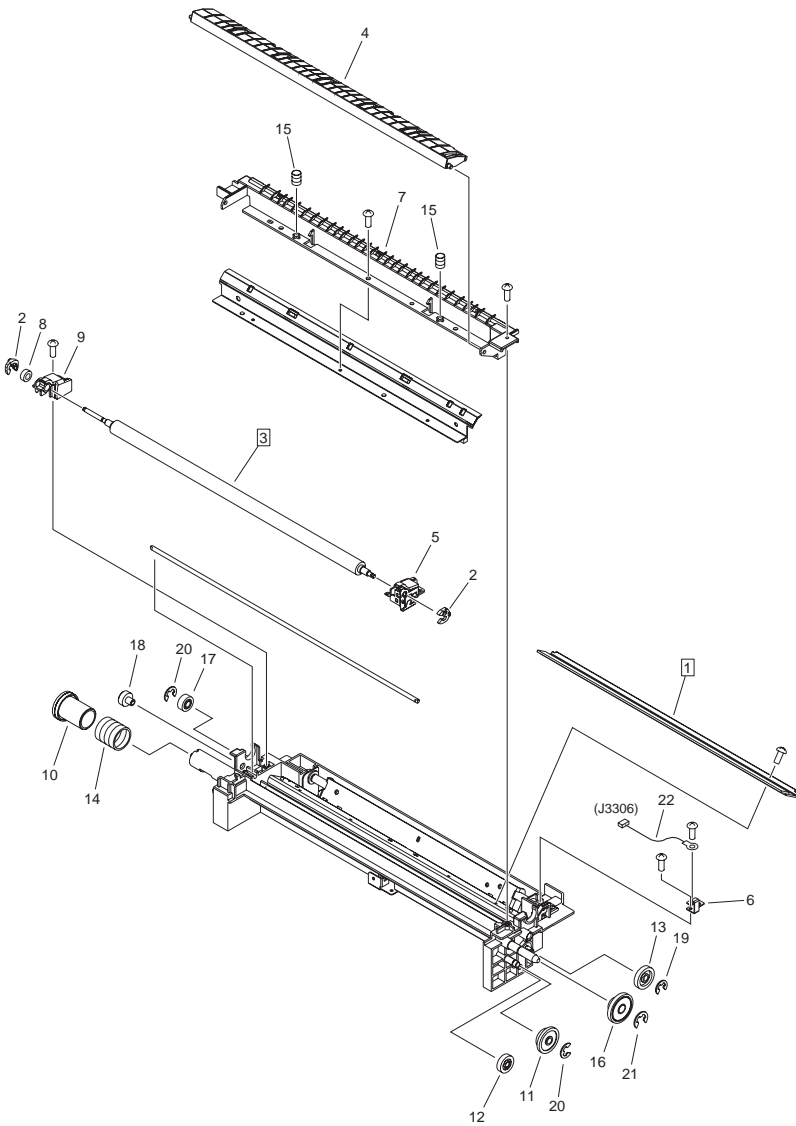
| FIGURE & KEY NO. | PARTS NUMBER | R<br>A<br>N<br>K | Q'TY | DESCRIPTION                  | SERIAL NUMBER/<br>REMARKS | S<br>V<br>C |
|------------------|--------------|------------------|------|------------------------------|---------------------------|-------------|
| Fig.332          | FM4-5156-000 |                  | 1    | REGISTRATION ASS'Y           |                           |             |
| 1                | FC8-7276-000 |                  | 1    | ROLLER, REGISTRATION DRIVE   |                           |             |
| 2                | FC8-7277-000 |                  | 1    | ROLLER, REGISTRATION DRIVEN  |                           |             |
| 3                | FC8-7283-000 |                  | 2    | BUSHING                      |                           |             |
| 4                | FC8-7284-000 |                  | 1    | BUSHING                      |                           |             |
| 5                | FF3-4656-000 |                  | 1    | VARISTOR                     |                           |             |
| 6                | FK2-6470-000 |                  | 1    | PHOTO-SENSOR, KUA0055C       | PS29                      |             |
| 7                | FL3-0292-000 |                  | 1    | PIN, POSITIONING             |                           |             |
| 8                | FU6-3047-000 |                  | 1    | PULLEY, 24T                  |                           |             |
| 9                | FU7-2687-000 |                  | 4    | SPRING, TENSION              |                           |             |
| 10               | FU7-2688-000 |                  | 2    | SPRING, TENSION              |                           |             |
| 11               | XA9-1386-000 |                  | AR   | SCREW,RS,M3X8                |                           |             |
| 12               | XD9-0136-000 |                  | 1    | RING, E                      |                           |             |
| 13               | XG9-0506-000 |                  | 2    | BEARING, BALL, 688AZZ1NR MC3 |                           |             |
| 14               | XD9-0137-010 |                  | 1    | RING, E                      |                           |             |
| 15               | FC8-7286-000 |                  | 1    | COVER, REGISTRATION          |                           |             |
| 16               | FC9-8811-000 |                  | 1    | GUIDE, LIMIT                 |                           |             |
| 501              | XD3-2200-102 |                  | 1    | PIN, DOWEL                   |                           |             |

# FIGURE 333 DUPLEX. SIDE REG. SENSOR ASS'Y



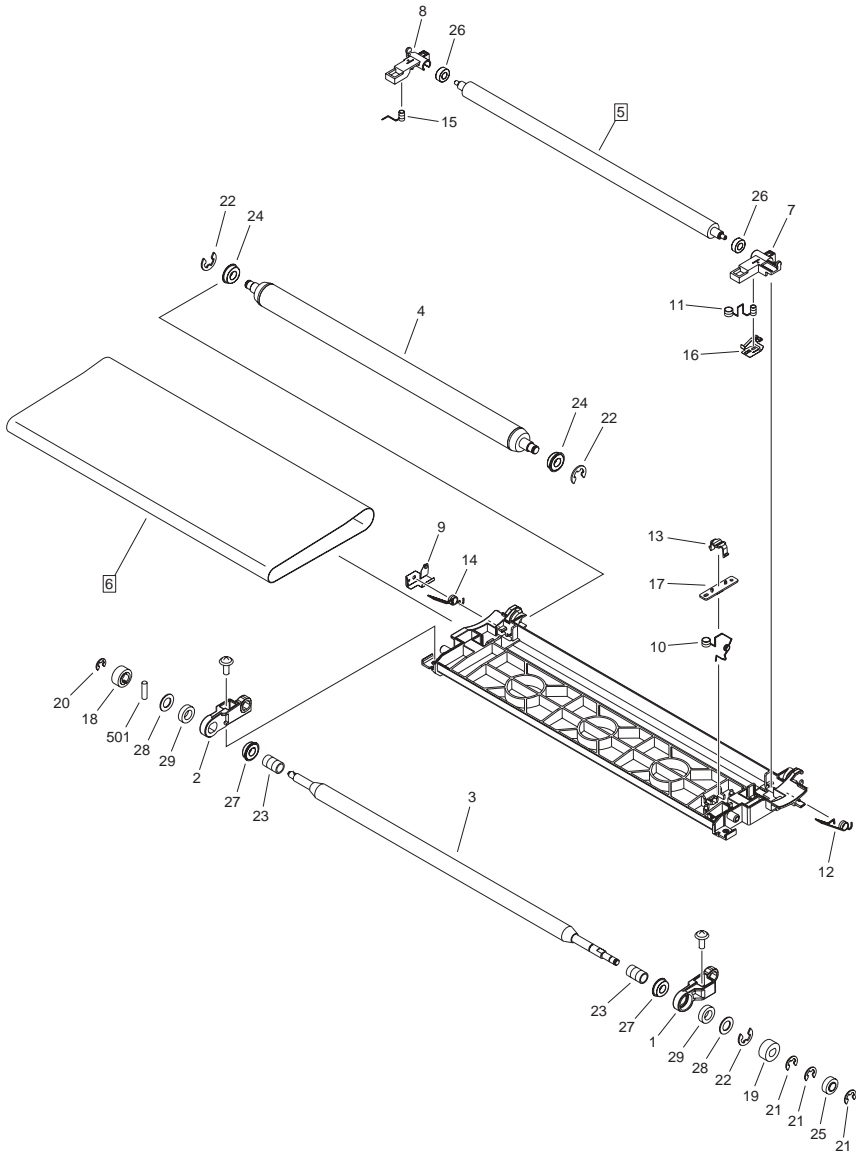
| FIGURE & KEY NO. | PARTS NUMBER | RANK | QTY | DESCRIPTION                    | SERIAL NUMBER/REMARKS | SVC |
|------------------|--------------|------|-----|--------------------------------|-----------------------|-----|
| Fig.333          | FM4-0897-000 |      | 1   | DUPLEX. SIDE REG. SENSOR ASS'Y |                       |     |
| 1                | FC8-7295-000 |      | 1   | FLAG, SIDE REGISTRATION DETECT |                       |     |
| 2                | FC9-5450-000 |      | 1   | SLIDER, SIDE REGISTRATION      |                       |     |
| 3                | FK2-2069-000 |      | 1   | MOTOR, STEPPING, DC            | M16                   |     |
| 4                | FU7-2705-000 |      | 1   | SPRING, TORSION                |                       |     |
| 5                | FU9-0052-000 |      | 1   | GEAR, 12T/36T                  |                       |     |
| 6                | FU9-0053-000 |      | 1   | GEAR, 12T/24T                  |                       |     |
| 7                | VS1-7177-004 |      | 1   | CONNECTOR, SNAP TIGHT, BK      |                       |     |
| 8                | VS1-7177-007 |      | 1   | CONNECTOR, 7P, FEMALE, BK      |                       |     |
| 9                | WG8-5848-000 |      | 1   | PHOTO-INTERRUPTER,GP1A173LCS0F | PS31                  |     |

# FIGURE 334 E.T.B. CLEANING ASSEMBLY



| FIGURE & KEY NO. | PARTS NUMBER | R<br>A<br>N<br>K | Q'TY | DESCRIPTION                  | SERIAL NUMBER/<br>REMARKS | S<br>V<br>C |
|------------------|--------------|------------------|------|------------------------------|---------------------------|-------------|
| Fig.334          | FM4-0913-000 |                  | 1    | E.T.B. CLEANING ASSEMBLY     |                           |             |
| 1                | FC6-1647-000 |                  | 1    | BLADE, CLEANING              | [DP]                      |             |
| 2                | FC7-4155-000 |                  | 2    | RING, E                      |                           |             |
| 3                | FC8-7175-000 |                  | 1    | ROLLER, BRUSH                | [DP]                      |             |
| 4                | FC8-7196-000 |                  | 1    | GUIDE, TRANSFER, REAR        |                           |             |
| 5                | FM4-5398-000 |                  | 1    | MOUNT, FRONT                 |                           |             |
| 6                | FC9-5698-000 |                  | 1    | PLATE, CONTACT               |                           |             |
| 7                | FL3-2815-000 |                  | 1    | GUIDE, SEPARATION            |                           |             |
| 8                | XG9-0774-000 |                  | 1    | BEARING, BALL, MR84ZZ        |                           |             |
| 9                | FL3-3799-000 |                  | 1    | MOUNT, REAR                  |                           |             |
| 10               | FL3-4552-000 |                  | 1    | SHUTTER                      |                           |             |
| 11               | FU5-0016-000 |                  | 1    | GEAR, 33T/22T                |                           |             |
| 12               | FU6-0092-000 |                  | 1    | GEAR, 21T                    |                           |             |
| 13               | FU6-0119-000 |                  | 1    | GEAR, 27T                    |                           |             |
| 14               | FU6-2043-000 |                  | 1    | SPRING, COMPRESSION          |                           |             |
| 15               | FU7-2697-000 |                  | 2    | SPRING, COMPRESSION          |                           |             |
| 16               | FU9-0037-000 |                  | 1    | GEAR, 34T/16T                |                           |             |
| 17               | FU9-0074-000 |                  | 1    | GEAR, 24T                    |                           |             |
| 18               | FU9-0075-000 |                  | 1    | GEAR, 22T                    |                           |             |
| 19               | XD9-0134-000 |                  | 1    | RING, E                      |                           |             |
| 20               | XD9-0136-000 |                  | 2    | RING, E                      |                           |             |
| 21               | XD9-0137-010 |                  | 1    | RING, E                      |                           |             |
| 22               | FM4-1063-000 |                  | 1    | CABLE, TRANSFER HIGH VOLTAGE |                           |             |

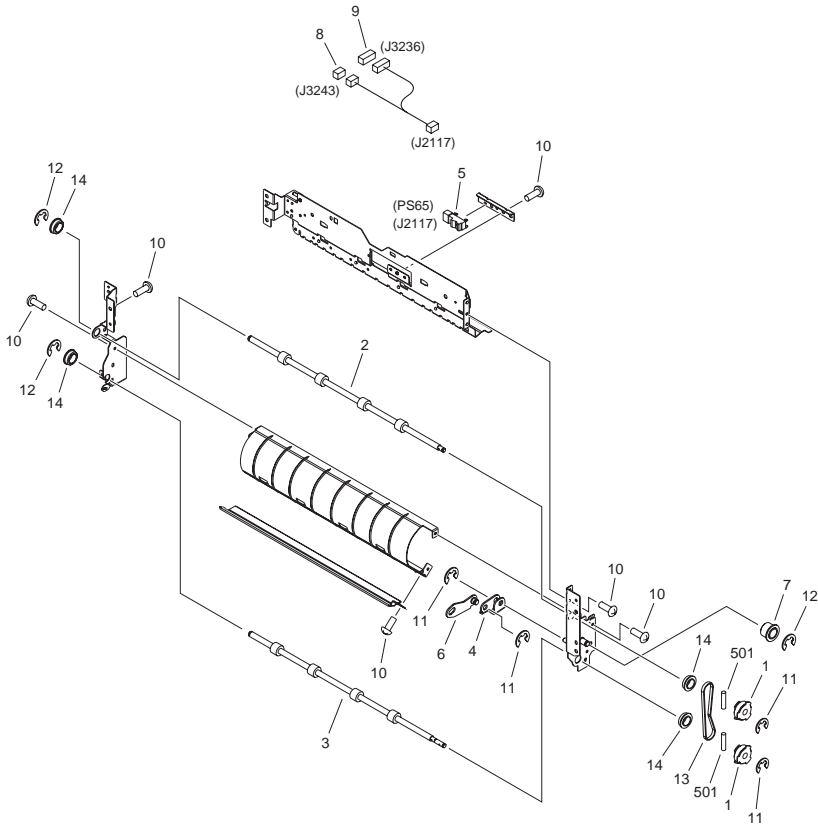
# FIGURE 335 E.T.BELT ASSEMBLY





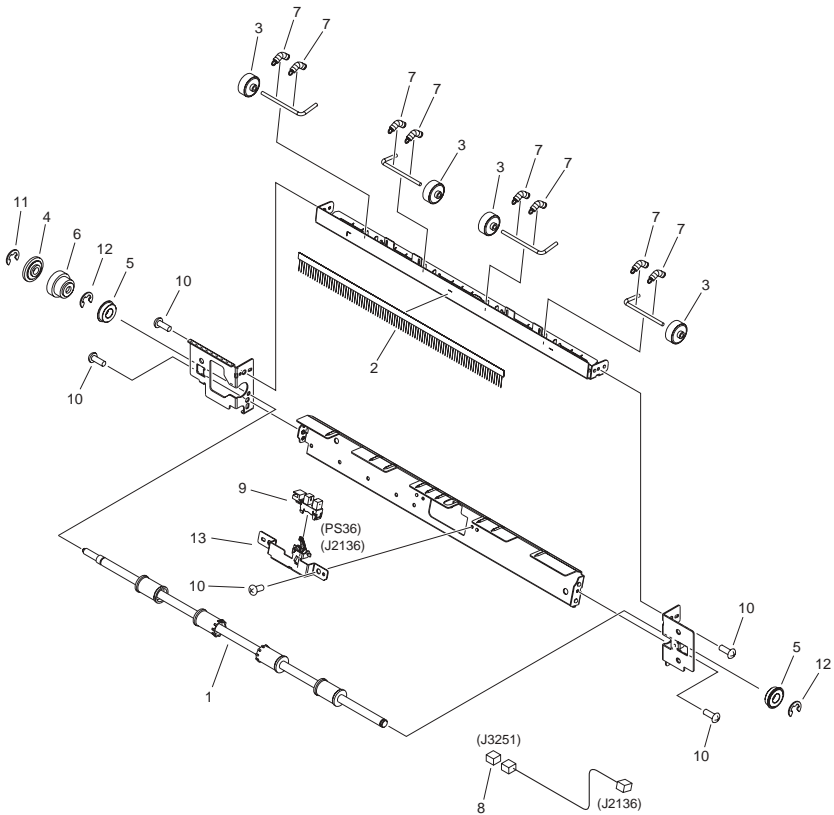
| FIGURE & KEY NO. | PARTS NUMBER | R<br>A<br>N<br>K | Q'TY | DESCRIPTION                    | SERIAL NUMBER/<br>REMARKS | S<br>V<br>C |
|------------------|--------------|------------------|------|--------------------------------|---------------------------|-------------|
| Fig.335          | FM4-0916-000 |                  | 1    | E.T.BELT ASSEMBLY              |                           |             |
| 1                | FC8-7155-000 |                  | 1    | HOLDER, DRIVE ROLLER, FRONT    |                           |             |
| 2                | FC8-7156-000 |                  | 1    | HOLDER, DRIVE ROLLER, REAR     |                           |             |
| 3                | FC8-7157-000 |                  | 1    | ROLLER, DRIVE                  |                           |             |
| 4                | FC8-7158-000 |                  | 1    | ROLLER, IDLER                  |                           |             |
| 5                | FC8-7159-000 |                  | 1    | ROLLER, TRANSFER               | [DP]                      |             |
| 6                | FC8-7160-000 |                  | 1    | BELT, ELECTROSTATIC TRANSPORT. | [DP]                      |             |
| 7                | FC8-7161-000 |                  | 1    | HOLDER, TRANSFER ROLLER, FRONT |                           |             |
| 8                | FC8-7162-000 |                  | 1    | HOLDER, TRANSFER ROLLER, REAR  |                           |             |
| 9                | FC8-7166-000 |                  | 1    | SPRING, LEAF                   |                           |             |
| 10               | FC9-5586-000 |                  | 1    | SPRING, COMPRESSION            |                           |             |
| 11               | FC9-5587-000 |                  | 1    | SPRING, COMPRESSION            |                           |             |
| 12               | FC9-6167-000 |                  | 1    | SPRING, TORSION                |                           |             |
| 13               | FC9-7853-000 |                  | 1    | STOPPER                        |                           |             |
| 14               | FC9-7854-000 |                  | 1    | SPRING, TORSION                |                           |             |
| 15               | FC9-8815-000 |                  | 1    | SPRING, COMPRESSION            |                           |             |
| 16               | FC9-9193-000 |                  | 1    | SPRING, LEAF                   |                           |             |
| 17               | FM2-7196-000 |                  | 1    | HVR PCB ASSEMBLY               |                           |             |
| 18               | FU6-0414-000 |                  | 1    | GEAR, 20T                      |                           |             |
| 19               | FU9-0032-000 |                  | 1    | GEAR, 18T                      |                           |             |
| 20               | XD9-0134-000 |                  | 1    | RING, E                        |                           |             |
| 21               | XD9-0136-000 |                  | 3    | RING, E                        |                           |             |
| 22               | XD9-0137-010 |                  | 3    | RING, E                        |                           |             |
| 23               | FU8-2519-000 |                  | 2    | SPRING, COMPRESSION            |                           |             |
| 24               | XG9-0365-000 |                  | 2    | BEARING, BALL                  |                           |             |
| 25               | XG9-0706-000 |                  | 1    | BEARING, BALL, MR126ZZ-1       |                           |             |
| 26               | XG9-0774-000 |                  | 2    | BEARING, BALL, MR84ZZ          |                           |             |
| 27               | XG9-0773-000 |                  | 2    | BEARING, BALL, MR148ZZ-2       |                           |             |
| 28               | FB2-6285-020 |                  | 2    | SHIM                           |                           |             |
| 29               | XG9-0758-000 |                  | 2    | BEARING, BALL, MR148ZZ-2       |                           |             |
| 501              | XD3-2200-082 |                  | 1    | PIN, DOWEL                     |                           |             |

FIGURE 336  
REVERSE CROSSMEMBER ASS'Y, LF.



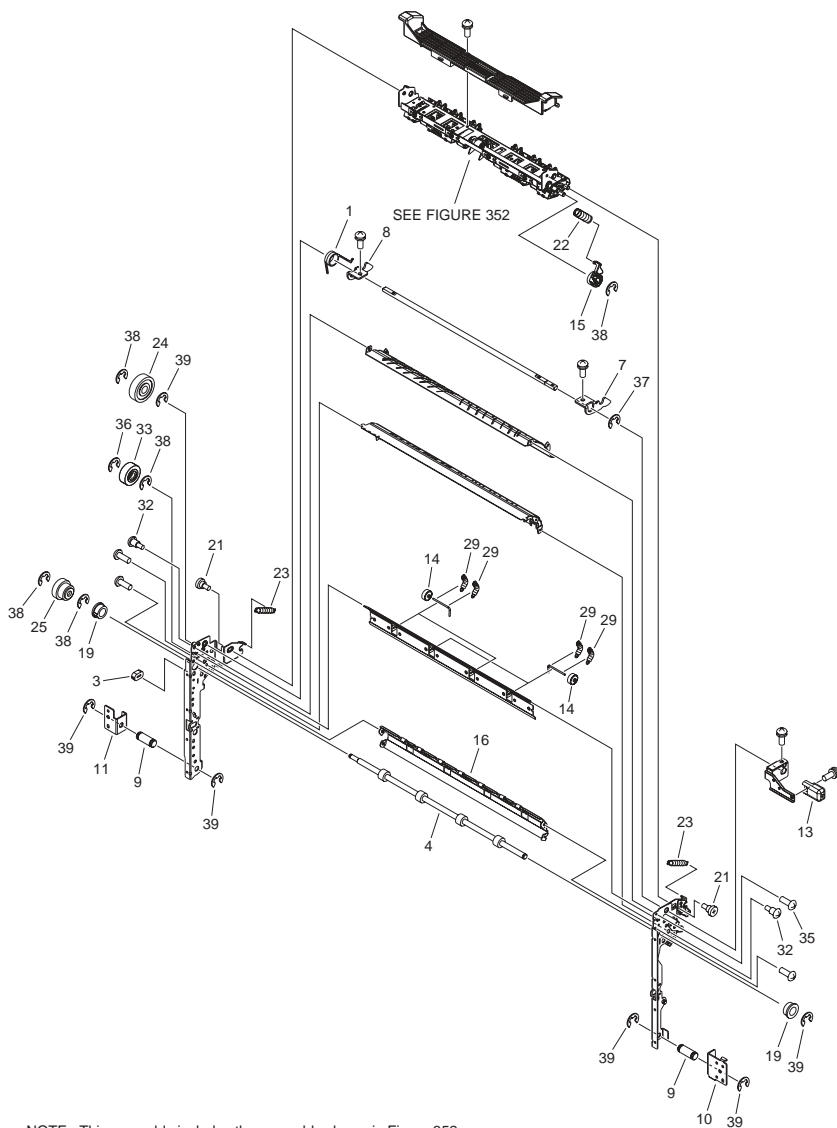
| FIGURE & KEY NO. | PARTS NUMBER | R<br>A<br>N<br>K | Q'TY | DESCRIPTION                    | SERIAL NUMBER/<br>REMARKS | S<br>V<br>C |
|------------------|--------------|------------------|------|--------------------------------|---------------------------|-------------|
| Fig.336          | FM4-0893-000 |                  | 1    | REVERSE CROSSMEMBER ASS'Y, LF. |                           |             |
| 1                | FC5-2261-000 |                  | 2    | PULLEY, 29T                    |                           |             |
| 2                | FC8-7332-000 |                  | 1    | ROLLER, REVERSE V.P.           |                           |             |
| 3                | FC9-5457-000 |                  | 1    | ROLLER, REVERSE V.P., LOWER    |                           |             |
| 4                | FC9-8286-000 |                  | 1    | LINK                           |                           |             |
| 5                | FK2-6470-000 |                  | 1    | PHOTO-SENSOR, KUA0055C         | PS65                      |             |
| 6                | FL3-3733-000 |                  | 1    | LINK                           |                           |             |
| 7                | FS2-6458-000 |                  | 1    | ROLLER                         |                           |             |
| 8                | VS1-7177-003 |                  | 1    | CONNECTOR, SNAP TIGHT, BK      |                           |             |
| 9                | VS1-7177-006 |                  | 1    | CONNECTOR, SNAP TIGHT, BK      |                           |             |
| 10               | XA9-1031-000 |                  | 9    | SCREW, MACH. TRUSS HEAD, M4X6  |                           |             |
| 11               | XD9-0136-000 |                  | 4    | RING, E                        |                           |             |
| 12               | XD9-0137-010 |                  | 3    | RING, E                        |                           |             |
| 13               | XF2-4110-440 |                  | 1    | BELT, TIMING, COGGED           |                           |             |
| 14               | XG9-0709-000 |                  | 4    | BEARING, BALL, MF128ZZ-3       |                           |             |
| 501              | XD3-2200-122 |                  | 2    | PIN, PARALLEL                  |                           |             |

# FIGURE 350 OUTER PAPER DELIVERY ASS'Y

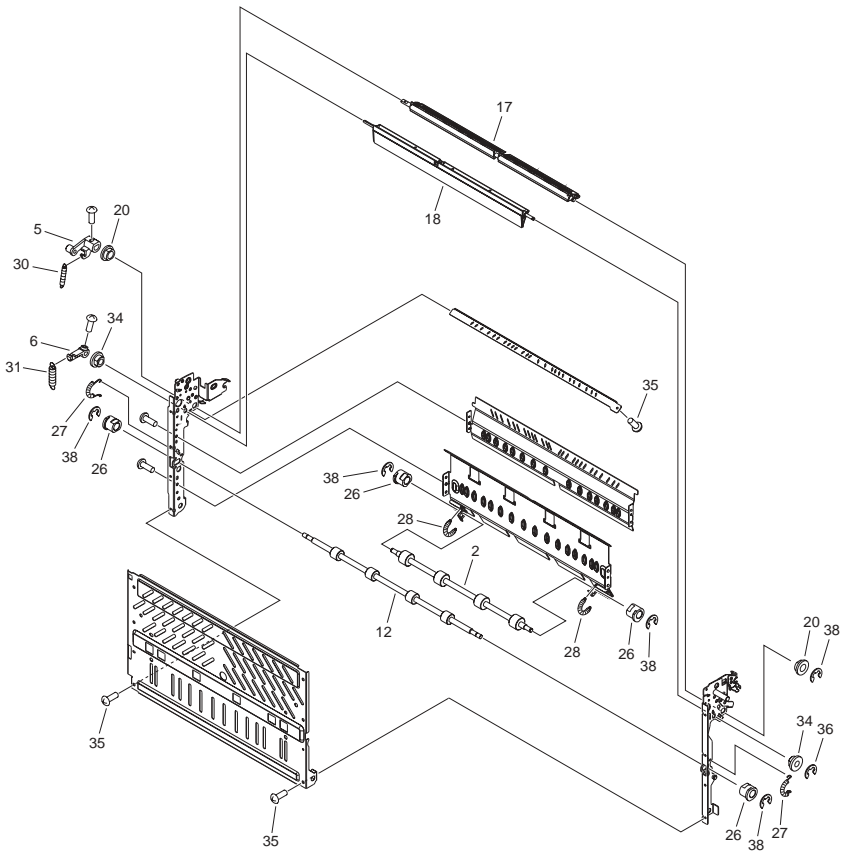


| FIGURE & KEY NO. | PARTS NUMBER | R<br>A<br>N<br>K | Q'TY | DESCRIPTION                    | SERIAL NUMBER/<br>REMARKS | S<br>V<br>C |
|------------------|--------------|------------------|------|--------------------------------|---------------------------|-------------|
| Fig.350          | FM3-7379-000 |                  | 1    | OUTER PAPER DELIVERY ASS'Y     |                           |             |
| 1                | FC8-7378-000 |                  | 1    | ROLLER, OUTER PAPER DELIVERY   |                           |             |
| 2                | FC0-2131-000 |                  | 1    | ELIMINATOR, STATIC CHARGE      |                           |             |
| 3                | FC9-8283-000 |                  | 4    | ROLLER, PAPER DELIVERY         |                           |             |
| 4                | FC9-9135-000 |                  | 1    | ROLLER                         |                           |             |
| 5                | XG9-0365-000 |                  | 2    | BEARING, BALL                  |                           |             |
| 6                | FU5-0207-000 |                  | 1    | GEAR, 19T                      |                           |             |
| 7                | FU5-2141-000 |                  | 8    | SPRING, TENSION                |                           |             |
| 8                | VS1-7177-003 |                  | 1    | CONNECTOR, SNAP TIGHT, BK      |                           |             |
| 9                | WG8-5848-000 |                  | 1    | PHOTO-INTERRUPTER,GP1A173LCS0F | PS36                      |             |
| 10               | XA9-1659-000 |                  | 6    | SCREW,M3X4                     |                           |             |
| 11               | XD9-0134-000 |                  | 1    | RING, E                        |                           |             |
| 12               | XD9-0137-010 |                  | 2    | RING, E                        |                           |             |
| 13               | FL3-3867-000 |                  | 1    | SENSOR FLAG UNIT               |                           |             |

# FIGURE 351 REVERSE PAPER DELIVERY ASS'Y



NOTE : This assembly includes the assembly shown in Figure 352.  
注：このユニットはFigure 352のユニットを含みます。

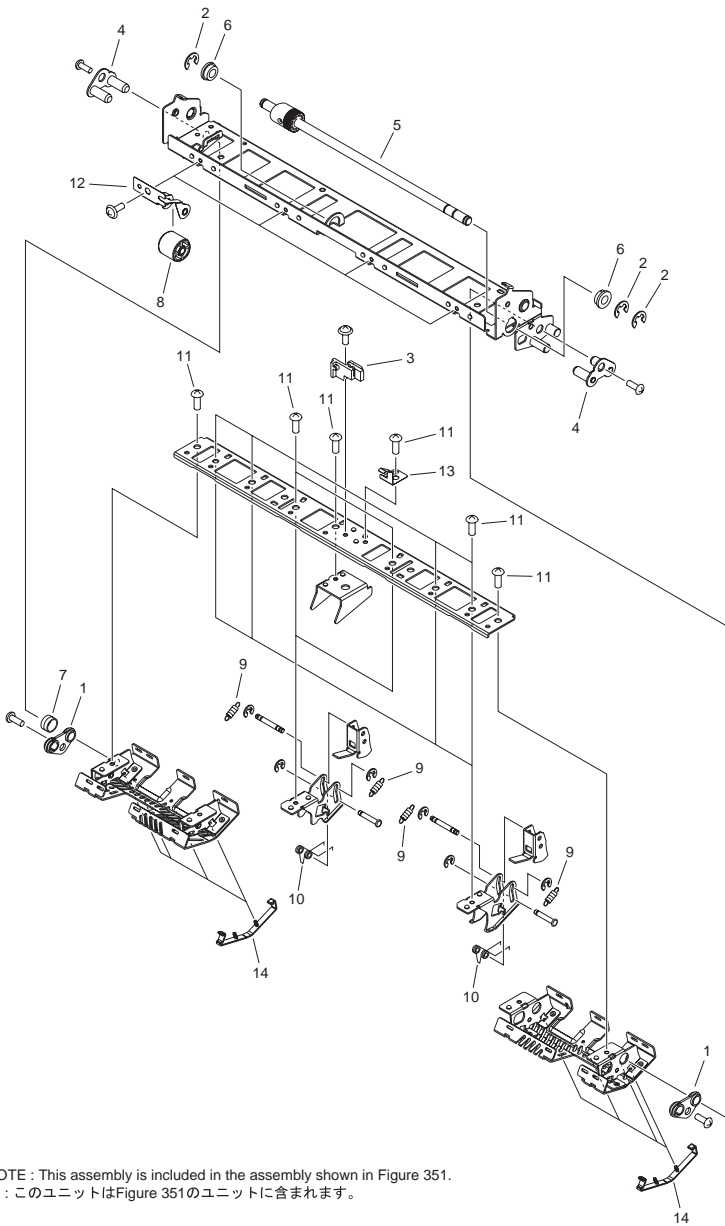


| FIGURE & KEY NO. | PARTS NUMBER | R<br>A<br>N<br>K | Q'TY | DESCRIPTION                     | SERIAL NUMBER/<br>REMARKS | S<br>V<br>C |
|------------------|--------------|------------------|------|---------------------------------|---------------------------|-------------|
| Fig.351          | FM4-5316-000 |                  | 1    | REVERSE PAPER DELIVERY ASSY     | SEE NOTE                  |             |
| 1                | FC5-2226-000 |                  | 1    | SPRING, TORSION                 |                           |             |
| 2                | FC6-9782-000 |                  | 1    | ROLLER, REVERSE DRIVEN, LOWER   |                           |             |
| 3                | FC8-7236-000 |                  | 1    | DAMPER                          |                           |             |
| 4                | FC8-7387-000 |                  | 1    | ROLLER, REVERSE FEED            |                           |             |
| 5                | FC8-7389-000 |                  | 1    | ARM, FLAPPER                    |                           |             |
| 6                | FC8-7390-000 |                  | 1    | ARM, CROSSING FLAPPER           |                           |             |
| 7                | FC8-7392-000 |                  | 1    | HOOK, FRONT                     |                           |             |
| 8                | FC8-7393-000 |                  | 1    | HOOK, REAR                      |                           |             |
| 9                | FC8-9346-000 |                  | 2    | SHAFT, HINGE                    |                           |             |
| 10               | FC8-9347-000 |                  | 1    | PLATE, HINGE, FRONT             |                           |             |
| 11               | FC8-9348-000 |                  | 1    | PLATE, HINGE, REAR              |                           |             |
| 12               | FC9-5458-000 |                  | 1    | ROLLER, REVERSE V.P. DRIVEN     |                           |             |
| 13               | FC9-8281-000 |                  | 1    | HANDLE, SMALL                   |                           |             |
| 14               | FC9-8283-000 |                  | 4    | ROLLER, PAPER DELIVERY          |                           |             |
| 15               | FL3-0275-000 |                  | 1    | LEVER, ONE-WAY                  |                           |             |
| 16               | FL3-3022-000 |                  | 1    | GUIDE, REVERSE, LOWER           |                           |             |
| 17               | FL3-3784-000 |                  | 1    | FLAPPER, REVERSE PAPER DELIVERY |                           |             |
| 18               | FM4-5153-000 |                  | 1    | FLAPPER UNIT                    |                           |             |
| 19               | FS1-1189-000 |                  | 2    | BUSHING, ABS                    |                           |             |
| 20               | FS1-1569-000 |                  | 2    | BUSHING                         |                           |             |
| 21               | FU5-9305-000 |                  | 2    | SCREW, STEPPED                  |                           |             |
| 22               | FS5-2946-000 |                  | 1    | SPRING, TENSION                 |                           |             |
| 23               | FS5-2947-000 |                  | 2    | SPRING, TENSION                 |                           |             |
| 24               | FS6-0042-000 |                  | 1    | GEAR, 26T                       |                           |             |
| 25               | FU5-0207-000 |                  | 1    | GEAR, 19T                       |                           |             |
| 26               | FU5-1046-000 |                  | 4    | BUSHING                         |                           |             |
| 27               | FU5-2139-040 |                  | 2    | SPRING, TENSION                 |                           |             |
| 28               | FU5-2140-000 |                  | 2    | SPRING, TENSION                 |                           |             |
| 29               | FU5-2141-000 |                  | 8    | SPRING, TENSION                 |                           |             |
| 30               | FU5-2147-000 |                  | 1    | SPRING, TENSION                 |                           |             |
| 31               | FU5-2160-000 |                  | 1    | SPRING, TENSION                 |                           |             |



| FIGURE & KEY NO. | PARTS NUMBER | RANK | Q'TY | DESCRIPTION          | SERIAL NUMBER/REMARKS | SVC |
|------------------|--------------|------|------|----------------------|-----------------------|-----|
| 32               | FU5-9035-000 |      | 6    | SCREW, STEPPED, M3X3 |                       |     |
| 33               | FU6-0375-000 |      | 1    | GEAR, 20T            |                       |     |
| 34               | FU6-1196-000 |      | 2    | BUSHING              |                       |     |
| 35               | XA9-1116-030 |      | 9    | SCREW,M3X5           |                       |     |
| 36               | XD9-0134-000 |      | 2    | RING, E              |                       |     |
| 37               | XD9-0135-000 |      | 1    | RING, E              |                       |     |
| 38               | XD9-0136-000 |      | AR   | RING, E              |                       |     |
| 39               | XD9-0137-010 |      | 6    | RING, E              |                       |     |

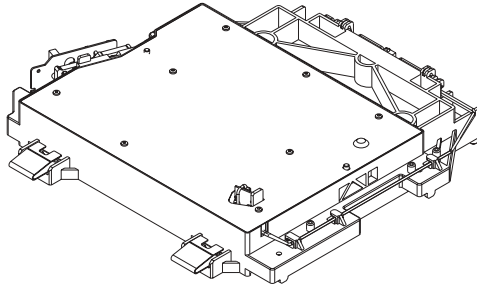
# FIGURE 352 INNER PAPER DELIVERY ASS'Y



NOTE : This assembly is included in the assembly shown in Figure 351.  
注 : このユニットはFigure 351のユニットに含まれます。

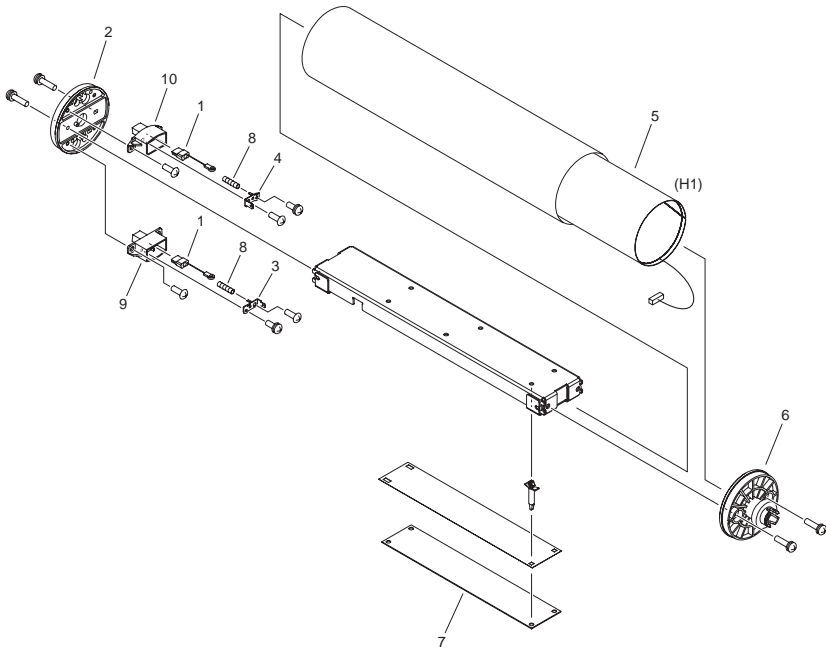
| FIGURE & KEY NO. | PARTS NUMBER | R<br>A<br>N<br>K | Q'TY | DESCRIPTION                | SERIAL NUMBER/<br>REMARKS | S<br>V<br>C |
|------------------|--------------|------------------|------|----------------------------|---------------------------|-------------|
| Fig.352          | FM3-7381-000 |                  | 1    | INNER PAPER DELIVERY ASS'Y | SEE NOTE                  |             |
| 1                | FB2-7163-000 |                  | 2    | BUSHING                    |                           |             |
| 2                | XD9-0136-000 |                  | 3    | RING, E                    |                           |             |
| 3                | FC9-9071-000 |                  | 1    | MOUNT, PIN                 |                           |             |
| 4                | FF5-3055-030 |                  | 2    | SUPPORT, PLATE             |                           |             |
| 5                | FL3-3019-000 |                  | 1    | SHAFT, RECIPROCATING       |                           |             |
| 6                | FS5-1372-000 |                  | 2    | BUSHING                    |                           |             |
| 7                | FS5-2953-020 |                  | 1    | SPRING, COMPRESSION        |                           |             |
| 8                | FC9-9187-000 |                  | 4    | ROLLER, FEED               |                           |             |
| 9                | FS7-2319-000 |                  | 12   | SPRING,TENSION             |                           |             |
| 10               | FC0-2203-000 |                  | 6    | SPRING, TORSION            |                           |             |
| 11               | XA9-1659-000 |                  | AR   | SCREW,M3X4                 |                           |             |
| 12               | FC8-9343-000 |                  | 4    | HOLDER, FEED ROLLER        |                           |             |
| 13               | FC9-5130-000 |                  | 1    | PLATE, RATCHET CLAW        |                           |             |
| 14               | FC9-6947-000 |                  | 8    | GUIDE, PAPER               |                           |             |

# FIGURE 460 LASER SCANNER UNIT



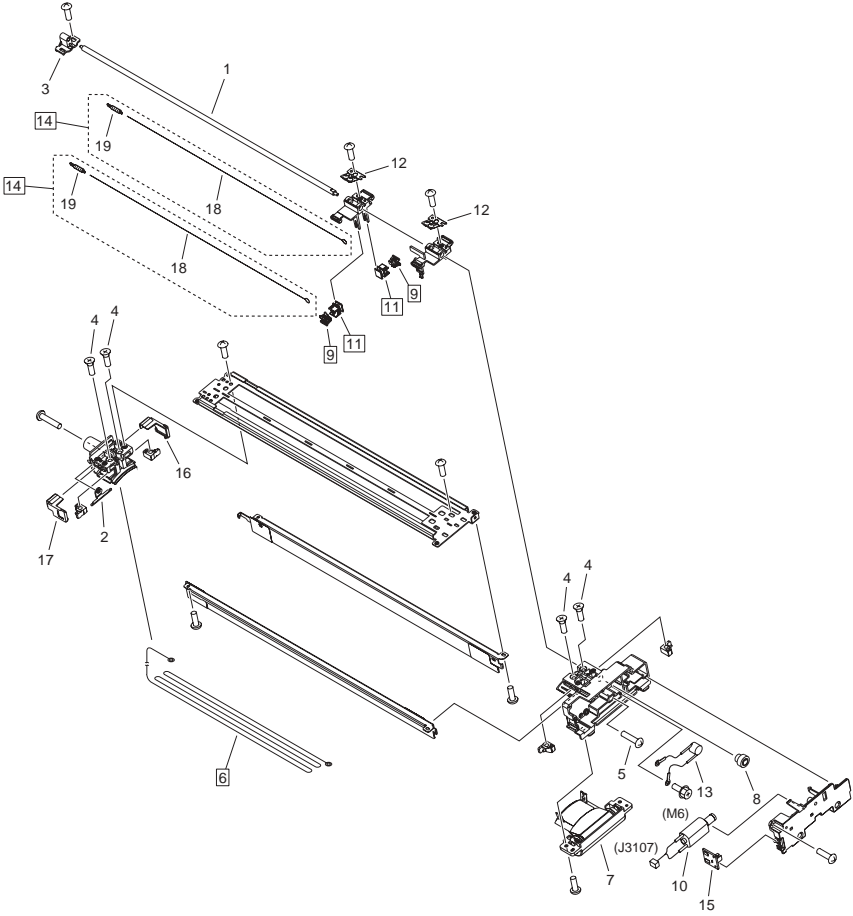
| FIGURE & KEY NO. | PARTS NUMBER | RANK | QTY | DESCRIPTION        | SERIAL NUMBER/REMARKS | SVC |
|------------------|--------------|------|-----|--------------------|-----------------------|-----|
| Fig.460          | FM3-7531-000 |      | 1   | LASER SCANNER UNIT |                       |     |

# FIGURE 510 PHOTO-SENSITIVE DRUM ASSEMBLY



| FIGURE & KEY NO. | PARTS NUMBER | R<br>A<br>N<br>K | Q'TY | DESCRIPTION                    | SERIAL NUMBER/<br>REMARKS | S<br>V<br>C |
|------------------|--------------|------------------|------|--------------------------------|---------------------------|-------------|
| Fig.510          | NPN          |                  | RF   | PHOTO-SENSITIVE DRUM ASSEMBLY  |                           |             |
| 1                | FC5-1766-000 |                  | 2    | ELIMINATOR, STATIC CHARGE      |                           |             |
| 2                | FC9-4872-000 |                  | 1    | FLANGE, DRUM, REAR             |                           |             |
| 3                | FC9-9133-000 |                  | 1    | TERMINAL, POWER DISPATCHING, 1 |                           |             |
| 4                | FC9-9134-000 |                  | 1    | TERMINAL, POWER DISPATCHING, 2 |                           |             |
| 5                | FK2-7723-000 |                  | 1    | HEATER, DRUM                   | 100V H1                   |             |
| 5                | FK2-7724-000 |                  | 1    | HEATER, DRUM                   | 120V H1                   |             |
| 5                | FK2-7725-000 |                  | 1    | HEATER, DRUM                   | 230V H1                   |             |
| 6                | FL3-1250-000 |                  | 1    | FLANGE, DRUM, FRONT            |                           |             |
| 7                | FM4-1107-000 |                  | 1    | DRUM HEATER DRIVER PCB ASS'Y   | 230V                      |             |
| 7                | FM4-1108-000 |                  | 1    | DRUM HEATER DRIVER PCB ASS'Y   | 100V,120V                 |             |
| 8                | FS2-2036-020 |                  | 2    | SPRING, COMPRESSION            |                           |             |
| 9                | FC9-9139-000 |                  | 1    | MOUNT, TERMINAL, 1             |                           |             |
| 10               | FC9-9140-000 |                  | 1    | MOUNT, TERMINAL, 2             |                           |             |

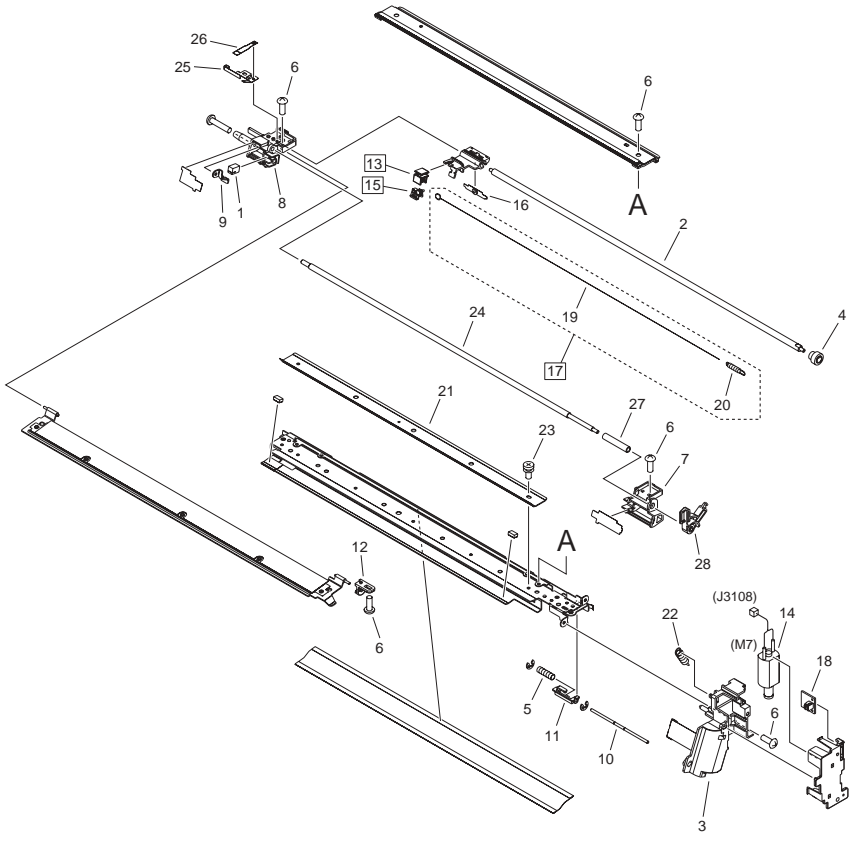
FIGURE 550  
1ST CORONA ASS'Y



| FIGURE & KEY NO. | PARTS NUMBER | R<br>A<br>N<br>K | Q'TY | DESCRIPTION                    | SERIAL NUMBER/<br>REMARKS | S<br>V<br>C |
|------------------|--------------|------------------|------|--------------------------------|---------------------------|-------------|
| Fig.550          | FM3-7288-000 |                  | 1    | 1ST CORONA ASS'Y               | [DP]                      |             |
| 1                | FC5-1810-000 |                  | 1    | SCREW, LEAD                    |                           |             |
| 2                | FC8-7053-000 |                  | 1    | HOOK, CORONA WIRE SPRING       |                           |             |
| 3                | FC8-7054-000 |                  | 1    | BUSHING                        |                           |             |
| 4                | XA9-0228-000 |                  | 4    | SCREW, INSUL., C.S.HEAD        |                           |             |
| 5                | XA9-1302-010 |                  | 1    | SCREW,MACH,TRUSS HEAD,M3X14    |                           |             |
| 6                | FY1-0883-000 |                  | 1    | CORONA WIRE ROLL (100M)        | [DP]                      |             |
| 7                | FM4-5432-000 |                  | 1    | SHUTTER UNIT                   |                           |             |
| 8                | FU5-0268-000 |                  | 1    | GEAR, 18T                      |                           |             |
| 9                | FL2-0462-020 |                  | 2    | BLOCK, WIRE CLEANING PAD       | [DP]                      |             |
| 10               | FL2-0991-000 |                  | 1    | DC MOTOR UNIT                  | M6                        |             |
| 11               | FL2-2720-000 |                  | 2    | HOLDER, WIRE CLEANING PAD      | [DP]                      |             |
| 12               | FL3-5027-000 |                  | 2    | PIN, SLIDER                    |                           |             |
| 13               | FL3-1270-000 |                  | 1    | VARISTOR                       |                           |             |
| 14               | FL3-4558-000 |                  | 2    | WIRE, 1ST CORONA               | [DP]                      |             |
| 15               | FM4-1102-000 |                  | 1    | CONTACT PCB ASS'Y              |                           |             |
| 16               | FC0-2088-000 |                  | 1    | COVER, 1ST CORONA INNER, RIGHT |                           |             |
| 17               | FC0-2089-000 |                  | 1    | COVER, 1ST CORONA INNER, LEFT  |                           |             |
| 18               | FB4-3687-000 |                  | 2    | WIRE, CORONA, 0.06MM (20M)     |                           |             |
| 19               | FU8-2522-000 |                  | 2    | SPRING, TENSION                |                           |             |

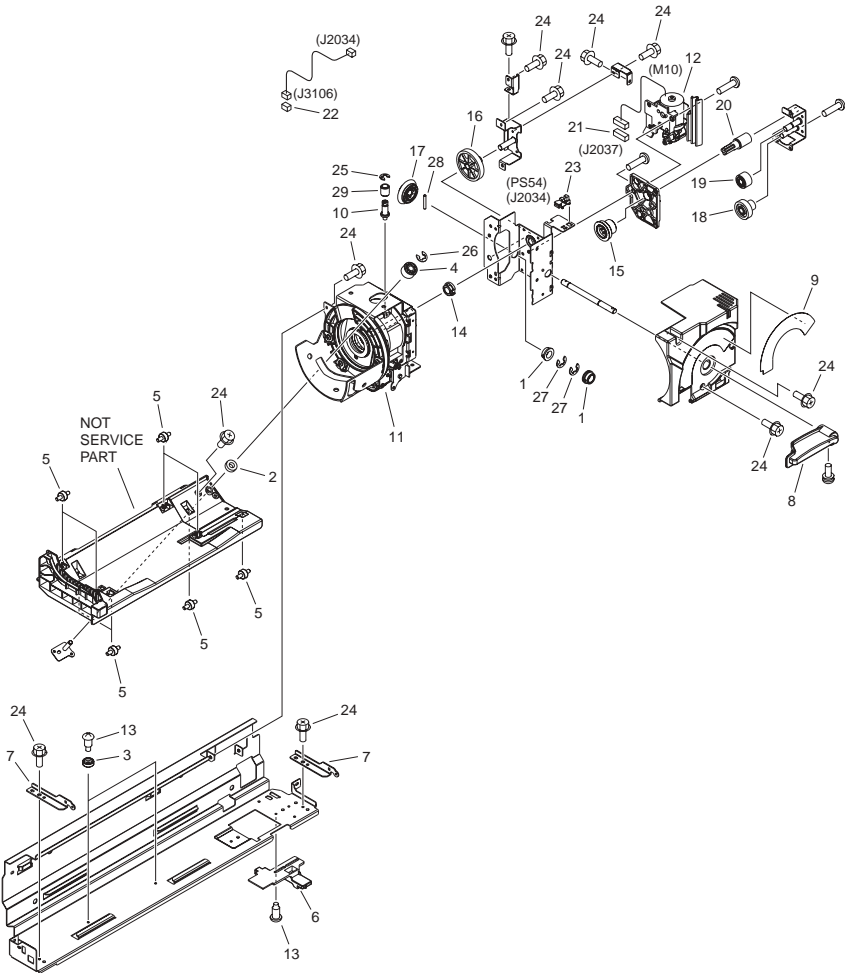


FIGURE 570  
PRE-TRANSFER CORONA ASS'Y



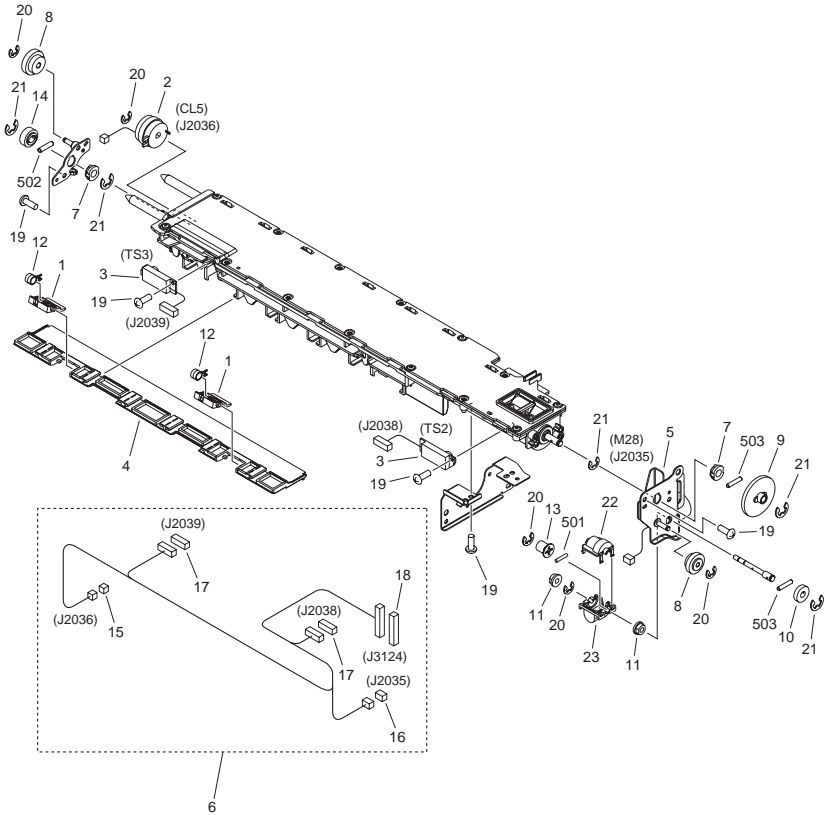
| FIGURE & KEY NO. | PARTS NUMBER | R<br>A<br>N<br>K | Q'TY | DESCRIPTION                    | SERIAL NUMBER/<br>REMARKS | S<br>V<br>C |
|------------------|--------------|------------------|------|--------------------------------|---------------------------|-------------|
| Fig.570          | FM4-3149-000 |                  | 1    | PRE-TRANSFER CORONA ASS'Y      | [DP]                      |             |
| 1                | FA4-1864-000 |                  | 1    | DAMPER                         |                           |             |
| 2                | FC5-1810-000 |                  | 1    | SCREW, LEAD                    |                           |             |
| 3                | FM4-5433-000 |                  | 1    | SHUTTER UNIT                   |                           |             |
| 4                | FU5-0268-000 |                  | 1    | GEAR, 18T                      |                           |             |
| 5                | FU8-2345-000 |                  | 1    | SPRING, COMPRESSION            |                           |             |
| 6                | XA9-1659-000 |                  | 8    | SCREW,M3X4                     |                           |             |
| 7                | FC9-0071-000 |                  | 1    | BLOCK, PRE-TRANSFER CORONA, FR |                           |             |
| 8                | FC9-0074-000 |                  | 1    | BLOCK, PRE-TRANSFER CORONA, RR |                           |             |
| 9                | FC9-4111-000 |                  | 1    | TERMINAL, CORONA WIRE          |                           |             |
| 10               | FC9-6165-000 |                  | 1    | PIN, SLIDE                     |                           |             |
| 11               | FC9-6166-000 |                  | 1    | HOLDER, SLIDE PIN              |                           |             |
| 12               | FC9-8052-000 |                  | 1    | STOPPER, GUIDE                 |                           |             |
| 13               | FL2-0462-020 |                  | 1    | BLOCK, WIRE CLEANING PAD       | [DP]                      |             |
| 14               | FL2-0991-000 |                  | 1    | DC MOTOR UNIT                  | M7                        |             |
| 15               | FL2-2720-000 |                  | 1    | HOLDER, WIRE CLEANING PAD      | [DP]                      |             |
| 16               | FL2-8930-000 |                  | 1    | SPRING, PRESSURE               |                           |             |
| 17               | FL3-4559-000 |                  | 1    | WIRE, PRE-TRANSFER CORONA      | [DP]                      |             |
| 18               | FM4-1102-000 |                  | 1    | CONTACT PCB ASS'Y              |                           |             |
| 19               | FB4-3687-000 |                  | 1    | WIRE, CORONA, 0.06MM (20M)     |                           |             |
| 20               | FU8-2522-000 |                  | 1    | SPRING, TENSION                |                           |             |
| 21               | FL3-3783-000 |                  | 1    | SCRAPER                        |                           |             |
| 22               | FU7-2708-000 |                  | 1    | SPRING, TENSION                |                           |             |
| 23               | XA9-1936-000 |                  | 5    | SCREW, WASHER, FLAT HEAD, M3X4 |                           |             |
| 24               | FC8-9682-000 |                  | 1    | ROLLER, BIAS                   |                           |             |
| 25               | FC8-9687-000 |                  | 1    | PLATE, BIAS ROLLER ELECTRODE   |                           |             |
| 26               | FC0-3223-000 |                  | 1    | SHEET, CONTACT PROTECTIVE      |                           |             |
| 27               | FC9-8819-000 |                  | 1    | COLLAR, INSULATING             |                           |             |
| 28               | FL3-3610-000 |                  | 1    | LEVER, DRIVE                   |                           |             |

FIGURE 620  
HOPPER ASS'Y



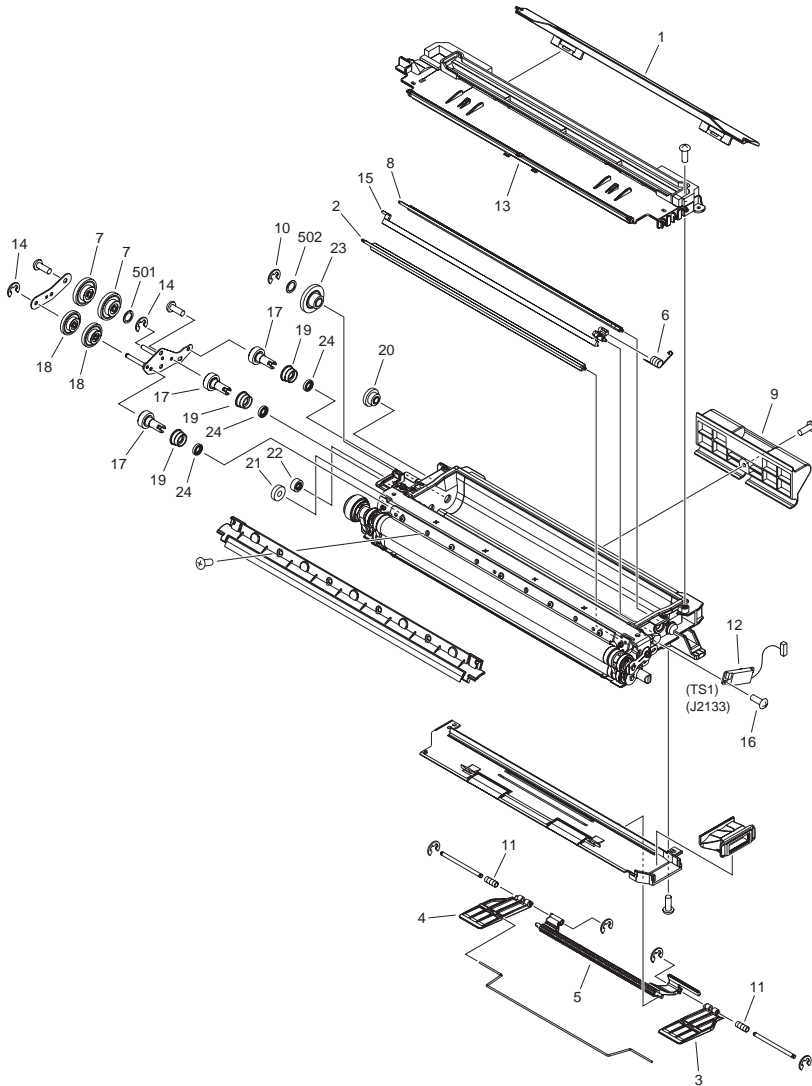
| FIGURE & KEY NO. | PARTS NUMBER | R<br>A<br>N<br>K | Q'TY | DESCRIPTION                     | SERIAL NUMBER/<br>REMARKS | S<br>V<br>C |
|------------------|--------------|------------------|------|---------------------------------|---------------------------|-------------|
| Fig.620          | NPN          |                  | 1    | HOPPER ASS'Y                    |                           |             |
| 1                | FA9-2112-000 |                  | 2    | BUSHING, PL                     |                           |             |
| 2                | XG9-0521-000 |                  | 1    | BEARING, BALL, MR126ZZ          |                           |             |
| 3                | FC9-9196-000 |                  | 2    | ROLLER, BOTTLE BOX LIMIT        |                           |             |
| 4                | FC5-1950-000 |                  | 1    | ROLLER, BOTTLE STOP             |                           |             |
| 5                | FC5-5092-000 |                  | 8    | ROLLER                          |                           |             |
| 6                | FC8-7139-000 |                  | 1    | SHUTTER, TONER CASE             |                           |             |
| 7                | FC9-0160-000 |                  | 2    | SUPPORT, HINGE                  |                           |             |
| 8                | FC9-6942-000 |                  | 1    | LEVER, OPERATOR                 |                           |             |
| 9                | FC9-9054-000 |                  | 1    | LABEL, LEVER POSITION           |                           |             |
| 10               | FC6-2327-000 |                  | 1    | SHAFT, RING                     |                           |             |
| 11               | FM4-0880-000 |                  | 1    | CAM UNIT                        |                           |             |
| 12               | FM4-5309-000 |                  | 1    | BOTTLE DRIVE UNIT               | M10                       |             |
| 13               | FS5-9438-030 |                  | 4    | SCREW, STEPPED                  |                           |             |
| 14               | FU6-1197-000 |                  | 1    | BUSHING                         |                           |             |
| 15               | FU7-0841-000 |                  | 1    | GEAR, 28T                       |                           |             |
| 16               | FU8-0906-000 |                  | 1    | GEAR, BEVEL, 26T/48T            |                           |             |
| 17               | FU8-0907-000 |                  | 1    | GEAR, 32T                       |                           |             |
| 18               | FU9-0078-000 |                  | 1    | GEAR, 17T/47T                   |                           |             |
| 19               | FU9-0079-000 |                  | 1    | GEAR, 25T                       |                           |             |
| 20               | FU9-0080-000 |                  | 1    | GEAR, 18T                       |                           |             |
| 21               | VS1-7177-006 |                  | 1    | CONNECTOR, SNAP TIGHT, BK       |                           |             |
| 22               | VS1-8412-003 |                  | 1    | CONNECTOR, SNAP TIGHT, BL       |                           |             |
| 23               | WG8-5848-000 |                  | 1    | PHOTO-INTERRUPTER, GP1A173LCS0F | PS54                      |             |
| 24               | XA9-1386-000 |                  | AR   | SCREW, RS, M3X8                 |                           |             |
| 25               | XD9-0134-000 |                  | 1    | RING, E                         |                           |             |
| 26               | XD9-0136-000 |                  | 1    | RING, E                         |                           |             |
| 27               | XD9-0137-010 |                  | 2    | RING, E                         |                           |             |
| 28               | XD9-0290-000 |                  | 1    | PIN, PARALLEL                   |                           |             |
| 29               | FC6-3230-000 |                  | 1    | STOPPER, FRONT                  |                           |             |

# FIGURE 625 BUFFER ASS'Y



| FIGURE & KEY NO. | PARTS NUMBER | R<br>A<br>N<br>K | Q'TY | DESCRIPTION               | SERIAL NUMBER/<br>REMARKS | S<br>V<br>C |
|------------------|--------------|------------------|------|---------------------------|---------------------------|-------------|
| Fig.625          | FM4-0953-000 |                  | 1    | BUFFER ASS'Y              |                           |             |
| 1                | FC9-5091-000 |                  | 2    | ARM, SHUTTER              |                           |             |
| 2                | FK2-7728-000 |                  | 1    | CLUTCH, ELECTROMAGNETIC   | CL5                       |             |
| 3                | FK2-7713-000 |                  | 2    | SENSOR UNIT, TONER        | TS2,TS3                   |             |
| 4                | FL3-3782-000 |                  | 1    | SHUTTER, BUFFER           |                           |             |
| 5                | FM4-0956-000 |                  | 1    | MOTOR, STEPPING, DC       | M28                       |             |
| 6                | FM4-0999-000 |                  | 1    | CABLE, BUFFER             |                           |             |
| 7                | FS5-1219-000 |                  | 2    | BUSHING                   |                           |             |
| 8                | FS6-0028-000 |                  | 2    | GEAR, 23T/16T             |                           |             |
| 9                | FU5-0362-000 |                  | 1    | GEAR, 48T                 |                           |             |
| 10               | FU6-0152-000 |                  | 1    | GEAR, 17T                 |                           |             |
| 11               | FU6-1194-000 |                  | 2    | BUSHING                   |                           |             |
| 12               | FU7-2715-000 |                  | 2    | SPRING, TORSION           |                           |             |
| 13               | FU9-0031-000 |                  | 1    | GEAR, 14T                 |                           |             |
| 14               | FU9-0155-000 |                  | 1    | GEAR, 16T                 |                           |             |
| 15               | VS1-7177-002 |                  | 1    | CONNECTOR, SNAP TIGHT, BK |                           |             |
| 16               | VS1-7177-003 |                  | 1    | CONNECTOR, SNAP TIGHT, BK |                           |             |
| 17               | VS1-7177-006 |                  | 2    | CONNECTOR, SNAP TIGHT, BK |                           |             |
| 18               | VS1-8412-017 |                  | 1    | CONNECTOR, SNAP TIGHT, BL |                           |             |
| 19               | XA9-1659-000 |                  | AR   | SCREW,M3X4                |                           |             |
| 20               | XD9-0134-000 |                  | 5    | RING, E                   |                           |             |
| 21               | XD9-0136-000 |                  | 7    | RING, E                   |                           |             |
| 22               | FC9-5092-000 |                  | 1    | COVER, WORM GEAR, UPPER   |                           |             |
| 23               | FC9-5093-000 |                  | 1    | COVER, WORM GEAR, LOWER   |                           |             |
| 501              | XD3-2160-082 |                  | 1    | PIN, PARALLEL             |                           |             |
| 502              | XD3-2200-082 |                  | 1    | PIN, DOWEL                |                           |             |
| 503              | XD3-2200-102 |                  | 2    | PIN, DOWEL                |                           |             |

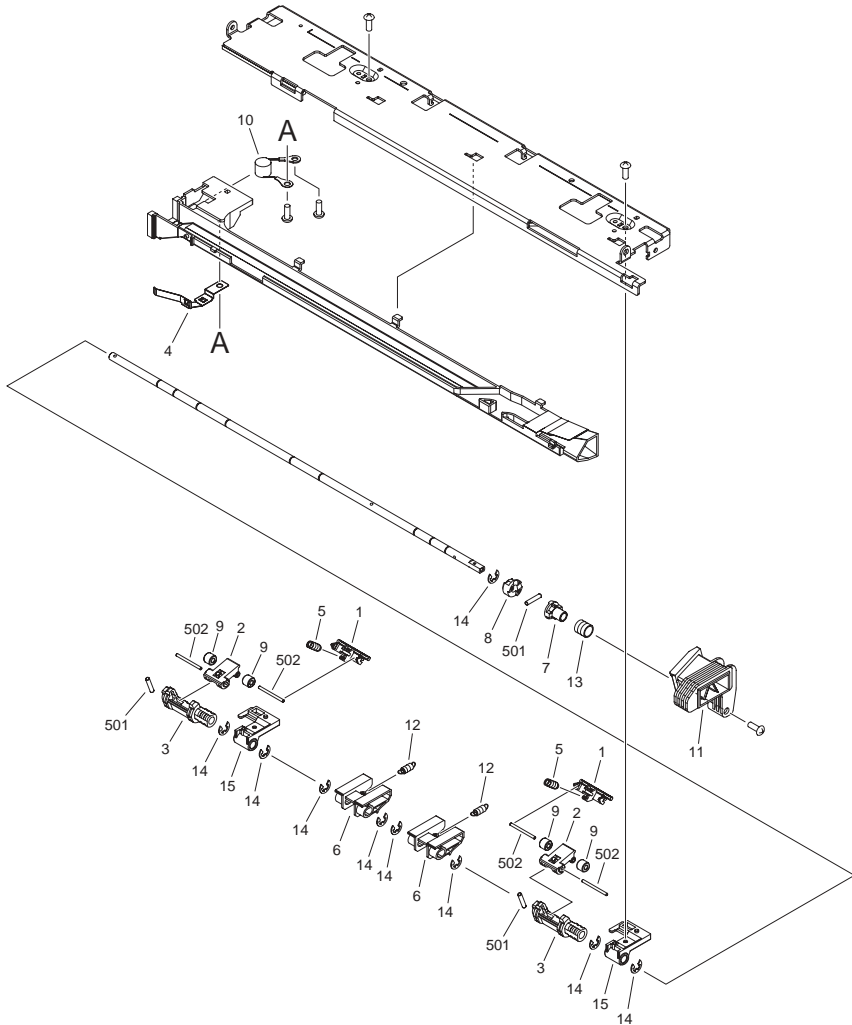
FIGURE 640  
DEVELOPING ASS'Y



| FIGURE & KEY NO. | PARTS NUMBER | R<br>A<br>N<br>K | Q'TY | DESCRIPTION                | SERIAL NUMBER/<br>REMARKS | S<br>V<br>C |
|------------------|--------------|------------------|------|----------------------------|---------------------------|-------------|
| Fig.640          | FM4-0959-000 |                  | 1    | DEVELOPING ASS'Y           | [DP]                      |             |
| 1                | FC8-9582-000 |                  | 1    | COVER, DEVELOPING ENTRANCE |                           |             |
| 2                | FC8-9586-000 |                  | 1    | ROD, STIRRING              |                           |             |
| 3                | FC9-9165-000 |                  | 1    | FOOT, FRONT                |                           |             |
| 4                | FC9-9166-000 |                  | 1    | FOOT, REAR                 |                           |             |
| 5                | FC9-9167-000 |                  | 1    | FOOT, CENTER               |                           |             |
| 6                | FC8-9595-000 |                  | 1    | SPRING, COMPRESSION        |                           |             |
| 7                | FU9-0313-000 |                  | 2    | GEAR, 20T/36T              |                           |             |
| 8                | FL3-2157-000 |                  | 1    | ROD, STIRRING              |                           |             |
| 9                | FC9-5106-000 |                  | 1    | ARM, DEVELOPING            |                           |             |
| 10               | XD9-0137-010 |                  | 1    | RING, E                    |                           |             |
| 11               | FC9-9169-000 |                  | 2    | SPRING, COMPRESSION        |                           |             |
| 12               | FK2-7713-000 |                  | 1    | SENSOR UNIT, TONER         | TS1                       |             |
| 13               | FL3-5181-000 |                  | 1    | LID, DEVELOPING            |                           |             |
| 14               | XD9-0134-000 |                  | 2    | RING, E                    |                           |             |
| 15               | FC8-9585-000 |                  | 1    | ROD, STIRRING              |                           |             |
| 16               | XA9-1659-000 |                  | 2    | SCREW,M3X4                 |                           |             |
| 17               | FS6-0857-000 |                  | 3    | GEAR, 20T                  |                           |             |
| 18               | FU9-0312-000 |                  | 2    | GEAR, 16T/32T              |                           |             |
| 19               | FL3-5186-000 |                  | 3    | BUSHING                    |                           |             |
| 20               | FU7-0265-000 |                  | 1    | GEAR, 14T/22T              |                           |             |
| 21               | FU8-0085-000 |                  | 1    | GEAR, 18T                  |                           |             |
| 22               | FU9-0029-000 |                  | 1    | GEAR, 14T                  |                           |             |
| 23               | FU9-0037-000 |                  | 1    | GEAR, 34T/16T              |                           |             |
| 24               | X71-9310-000 |                  | 3    | SEAL, OIL                  |                           |             |
| 501              | XD1-1104-113 |                  | 1    | WASHER, PLAIN              |                           |             |
| 502              | XD1-1108-218 |                  | 1    | WASHER, PLAIN              |                           |             |

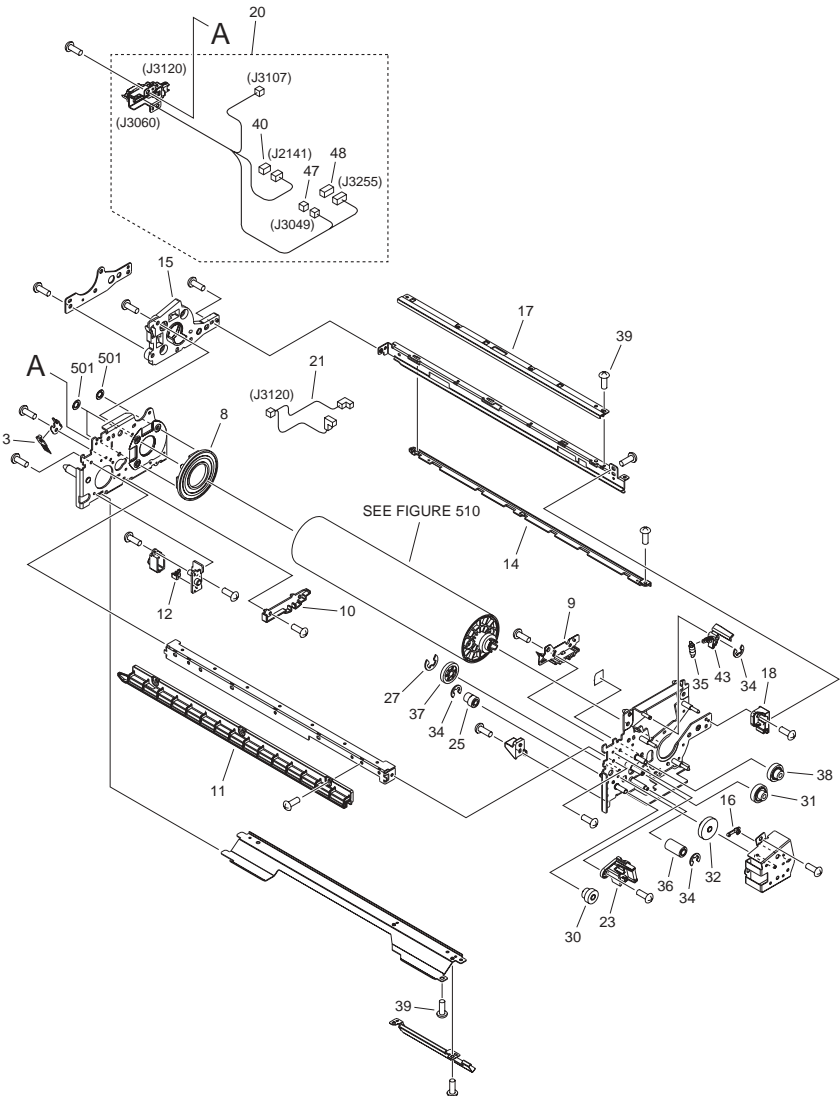


FIGURE 650  
DEVELOPING RELEASE ASS'Y

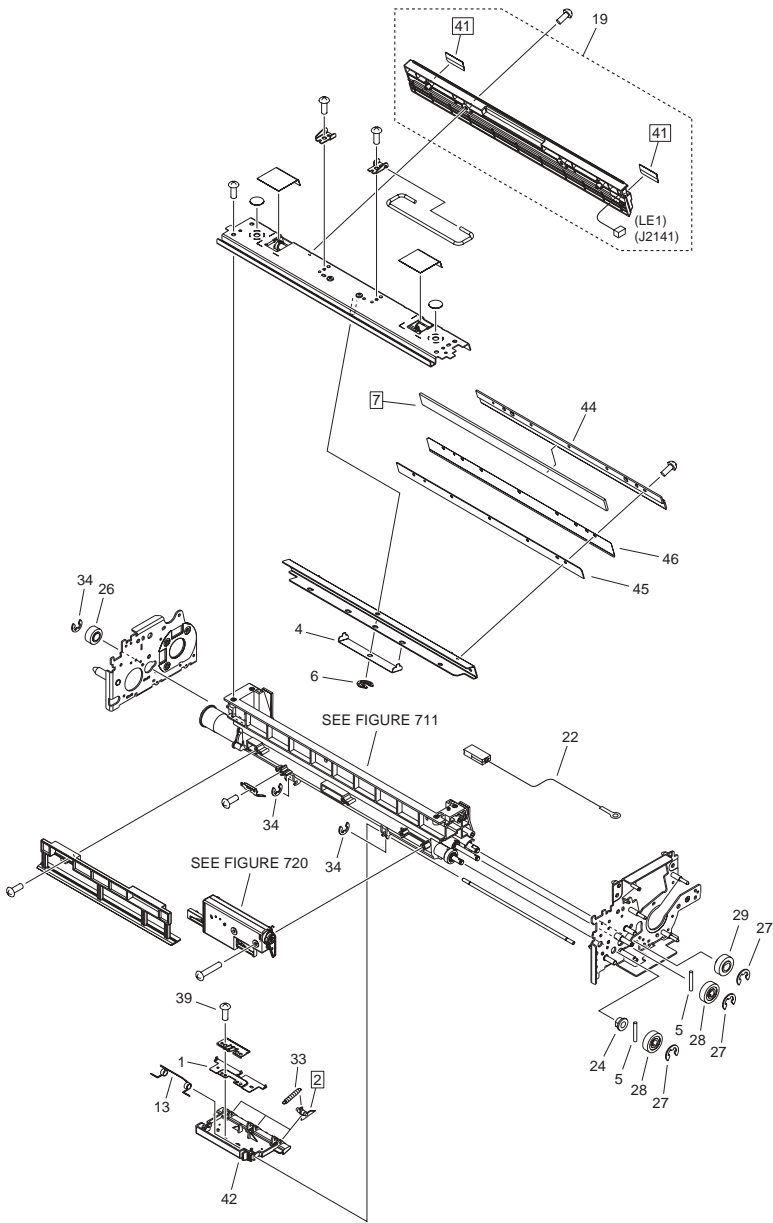


| FIGURE & KEY NO. | PARTS NUMBER | R<br>A<br>N<br>K | Q'TY | DESCRIPTION              | SERIAL NUMBER/<br>REMARKS | S<br>V<br>C |
|------------------|--------------|------------------|------|--------------------------|---------------------------|-------------|
| Fig.650          | FM4-0950-000 |                  | 1    | DEVELOPING RELEASE ASS'Y |                           |             |
| 1                | FC8-7106-000 |                  | 2    | ARM, PRESSURE RELEASE, 1 |                           |             |
| 2                | FC8-7107-000 |                  | 2    | ARM, PRESSURE RELEASE, 2 |                           |             |
| 3                | FC8-7108-000 |                  | 2    | ARM, PRESSURE RELEASE, 3 |                           |             |
| 4                | FC9-7984-000 |                  | 1    | PLATE, VARISTOR          |                           |             |
| 5                | FC8-7113-000 |                  | 2    | SPRING, TENSION          |                           |             |
| 6                | FC8-9571-000 |                  | 2    | BLOCK, MULTI PRESSURE    |                           |             |
| 7                | FC9-5094-000 |                  | 1    | CLAMP, ROTATION, 1       |                           |             |
| 8                | FC9-5095-000 |                  | 1    | CLAMP, ROTATION, 2       |                           |             |
| 9                | FC9-5096-000 |                  | 4    | ROLLER, PRESSURE RELEASE |                           |             |
| 10               | FL3-1270-000 |                  | 1    | VARISTOR                 |                           |             |
| 11               | FL3-2154-000 |                  | 1    | ARM, DUCT                |                           |             |
| 12               | FU7-2706-000 |                  | 2    | SPRING, TENSION          |                           |             |
| 13               | FU8-2313-000 |                  | 1    | SPRING, COMPRESSION      |                           |             |
| 14               | XD9-0136-000 |                  | 9    | RING, E                  |                           |             |
| 15               | FC8-7109-000 |                  | 2    | HOLDER, ARM              |                           |             |
| 501              | XD3-2200-102 |                  | 3    | PIN, DOWEL               |                           |             |
| 502              | XD3-2200-262 |                  | 4    | PIN, PARALLEL            |                           |             |

# FIGURE 710 AP. KIT ASS'Y



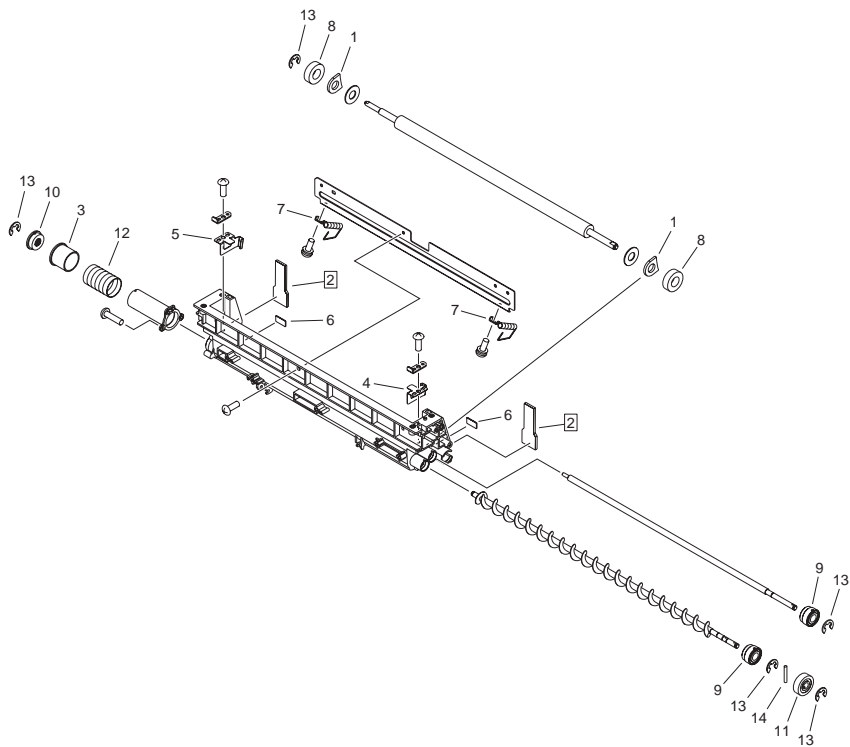
NOTE : This assembly does not included the assembly shown in Figure 510.  
 NOTE : This assembly includes the assemblies shown in Figure 711 and 720.  
 注 : このユニットにFigure 510のユニットは含まれません。  
 注 : このユニットはFigure 711, 720のユニットを含みます。



| FIGURE & KEY NO. | PARTS NUMBER | R<br>A<br>N<br>K | Q'TY | DESCRIPTION                    | SERIAL NUMBER/<br>REMARKS | S<br>V<br>C |
|------------------|--------------|------------------|------|--------------------------------|---------------------------|-------------|
| Fig.710          | FM3-7291-000 |                  | 1    | AP. KIT ASS'Y                  | SEE NOTE                  |             |
| 1                | FB4-8012-020 |                  | 1    | PLATE, SEPARATION CLAW         |                           |             |
| 2                | FB4-8018-010 |                  | 3    | CLAW, SEPARATION               | [DP]                      |             |
| 3                | FB5-9104-010 |                  | 1    | ELIMINATOR, STATIC CHARGE      |                           |             |
| 4                | FB6-2385-000 |                  | 1    | SPRING, LEAF                   |                           |             |
| 5                | XD9-0290-000 |                  | 2    | PIN, PARALLEL                  |                           |             |
| 6                | FB6-6088-000 |                  | 1    | RING, RETAINING                |                           |             |
| 7                | FL3-5187-000 |                  | 1    | BLADE, DRUM CLEANING           | [DP]                      |             |
| 8                | FC8-7093-000 |                  | 1    | RING, SLIP                     |                           |             |
| 9                | FC8-7097-000 |                  | 1    | GUIDE, TRANSFER POSITION,FRONT |                           |             |
| 10               | FC8-7098-000 |                  | 1    | GUIDE, TRANSFER POSITION, REAR |                           |             |
| 11               | FC8-9404-000 |                  | 1    | RAIL, LEFT                     |                           |             |
| 12               | FC8-9413-000 |                  | 1    | CONNECTOR, HIGH VOLTAGE        |                           |             |
| 13               | FC9-4863-000 |                  | 1    | SPRING, TORSION                |                           |             |
| 14               | FC9-4867-000 |                  | 1    | RAIL, RIGHT                    |                           |             |
| 15               | FC9-4870-000 |                  | 1    | GUIDE, POSITIONING             |                           |             |
| 16               | FC9-5573-000 |                  | 1    | STOPPER                        |                           |             |
| 17               | FC9-6169-000 |                  | 1    | RAIL, PRE-TRANSFER CORONA      |                           |             |
| 18               | FC9-7440-000 |                  | 1    | JOINT, RAIL                    |                           |             |
| 19               | FM3-7292-000 |                  | 1    | PRE-EXPOSURE ASS'Y             | LE1                       |             |
| 20               | FM3-7293-000 |                  | 1    | DRAWER ASSEMBLY                |                           |             |
| 21               | FM4-0992-000 |                  | 1    | CABLE, DRUM HEATER             |                           |             |
| 22               | FM4-0994-000 |                  | 1    | CABLE, HIGH VOLTAGE            |                           |             |
| 23               | FM4-5148-000 |                  | 1    | MOUNT, CONTACT                 |                           |             |
| 24               | FS1-1205-000 |                  | 1    | BUSHING                        |                           |             |
| 25               | FS6-0136-000 |                  | 1    | GEAR, 18T                      |                           |             |
| 26               | FS6-0972-000 |                  | 1    | GEAR, 14T                      |                           |             |
| 27               | XD9-0136-000 |                  | 4    | RING, E                        |                           |             |
| 28               | FU3-0303-000 |                  | 2    | GEAR, 30T                      |                           |             |
| 29               | FU6-0619-000 |                  | 1    | GEAR, 20T                      |                           |             |
| 30               | FU6-0620-000 |                  | 1    | GEAR, 21T/30T                  |                           |             |
| 31               | FU7-0363-000 |                  | 1    | GEAR, 18T/36T                  |                           |             |

| FIGURE & KEY NO. | PARTS NUMBER | R<br>A<br>N<br>K | Q'TY | DESCRIPTION               | SERIAL NUMBER/<br>REMARKS | S<br>V<br>C |
|------------------|--------------|------------------|------|---------------------------|---------------------------|-------------|
| 32               | FU7-0364-000 |                  | 1    | GEAR, 18T/48T             | [DP]                      |             |
| 33               | FU7-2711-000 |                  | 3    | SPRING, TENSION           |                           |             |
| 34               | XD9-0134-000 |                  | 6    | RING, E                   |                           |             |
| 35               | FU7-2713-000 |                  | 1    | SPRING, TENSION           |                           |             |
| 36               | FU8-0899-000 |                  | 1    | GEAR, 18T                 |                           |             |
| 37               | FU9-0051-000 |                  | 1    | GEAR, 38T                 |                           |             |
| 38               | FU9-0159-000 |                  | 1    | GEAR, 18T/26T             |                           |             |
| 39               | XA9-1659-000 |                  | 7    | SCREW,M3X4                |                           |             |
| 40               | VS1-7177-003 |                  | 1    | CONNECTOR, SNAP TIGHT, BK |                           |             |
| 41               | FC9-9153-000 |                  | 2    | SHEET, SCRAPER            |                           |             |
| 42               | FC9-4860-000 |                  | 1    | HOLDER, SEPARATION CLAW   |                           |             |
| 43               | FC9-4871-000 |                  | 1    | STOPPER, CORONA           |                           |             |
| 44               | FL3-5194-000 |                  | 1    | RETAINER, BLADE           |                           |             |
| 45               | FC8-7083-000 |                  | 1    | PLATE, BLADE AUXILIARY    |                           |             |
| 46               | FL3-5193-000 |                  | 1    | PLATE, BLADE BACKING      |                           |             |
| 47               | VS1-7177-002 |                  | 1    | CONNECTOR, SNAP TIGHT, BK |                           |             |
| 48               | VS1-7177-004 |                  | 1    | CONNECTOR, SNAP TIGHT, BK |                           |             |
| 501              | XD2-2300-602 |                  | 3    | GRIP RING                 |                           |             |

# FIGURE 711 DRUM CLEANING ASS'Y

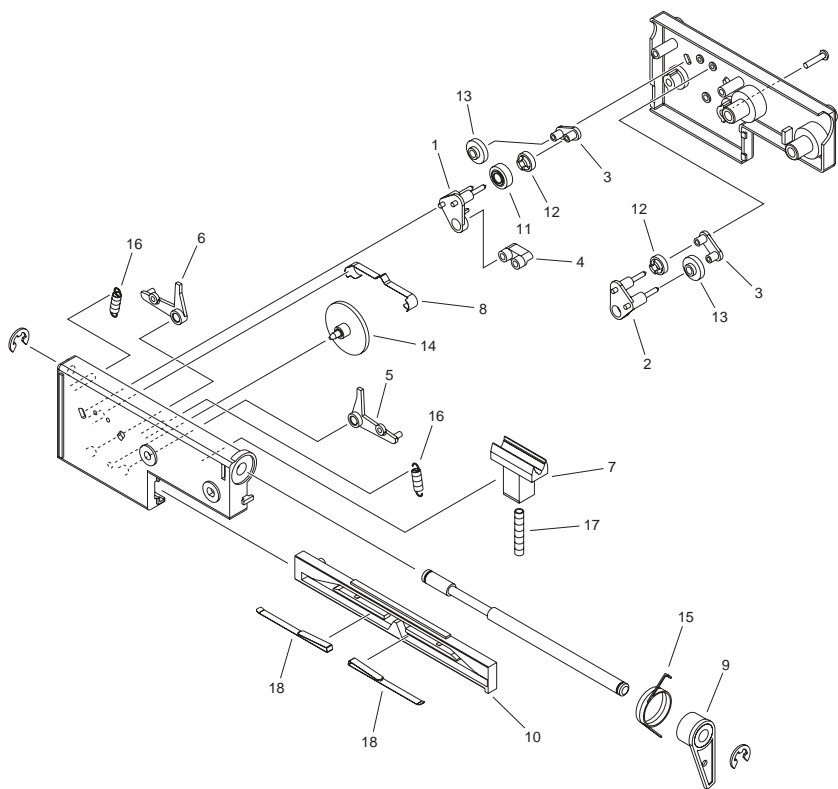


NOTE : This assembly is included in the assembly shown in Figure 710.  
 注 : このユニットはFigure 710のユニットに含まれます。

| FIGURE & KEY NO. | PARTS NUMBER | R<br>A<br>N<br>K | Q'TY | DESCRIPTION                  | SERIAL NUMBER/<br>REMARKS | S<br>V<br>C |
|------------------|--------------|------------------|------|------------------------------|---------------------------|-------------|
| Fig.711          | FM3-7294-000 |                  | 1    | DRUM CLEANING ASS'Y          | SEE NOTE                  |             |
| 1                | FB2-6872-000 |                  | 2    | SEAL, FELT                   |                           |             |
| 2                | FC8-7086-000 |                  | 2    | SCRAPER, SIDE END            | [DP]                      |             |
| 3                | FC9-9143-000 |                  | 1    | SHUTTER, WASTE TONER         |                           |             |
| 4                | FC8-7074-000 |                  | 1    | SCRAPER, SIDE, FRONT         |                           |             |
| 5                | FC8-7075-000 |                  | 1    | SCRAPER, SIDE, REAR          |                           |             |
| 6                | FC9-9159-000 |                  | 2    | SHEET, POSITIONING           |                           |             |
| 7                | FC9-9173-000 |                  | 2    | SPRING, TORSION              |                           |             |
| 8                | XG9-0727-000 |                  | 2    | BEARING, BALL, 688-2RS SH44M |                           |             |
| 9                | FL3-3700-000 |                  | 2    | BUSHING                      |                           |             |
| 10               | FL3-4551-000 |                  | 1    | BUSHING                      |                           |             |
| 11               | FU3-0303-000 |                  | 1    | GEAR, 30T                    |                           |             |
| 12               | FU7-2695-000 |                  | 1    | SPRING, COMPRESSION          |                           |             |
| 13               | XD9-0136-000 |                  | 5    | RING, E                      |                           |             |
| 14               | XD9-0290-000 |                  | 1    | PIN, PARALLEL                |                           |             |



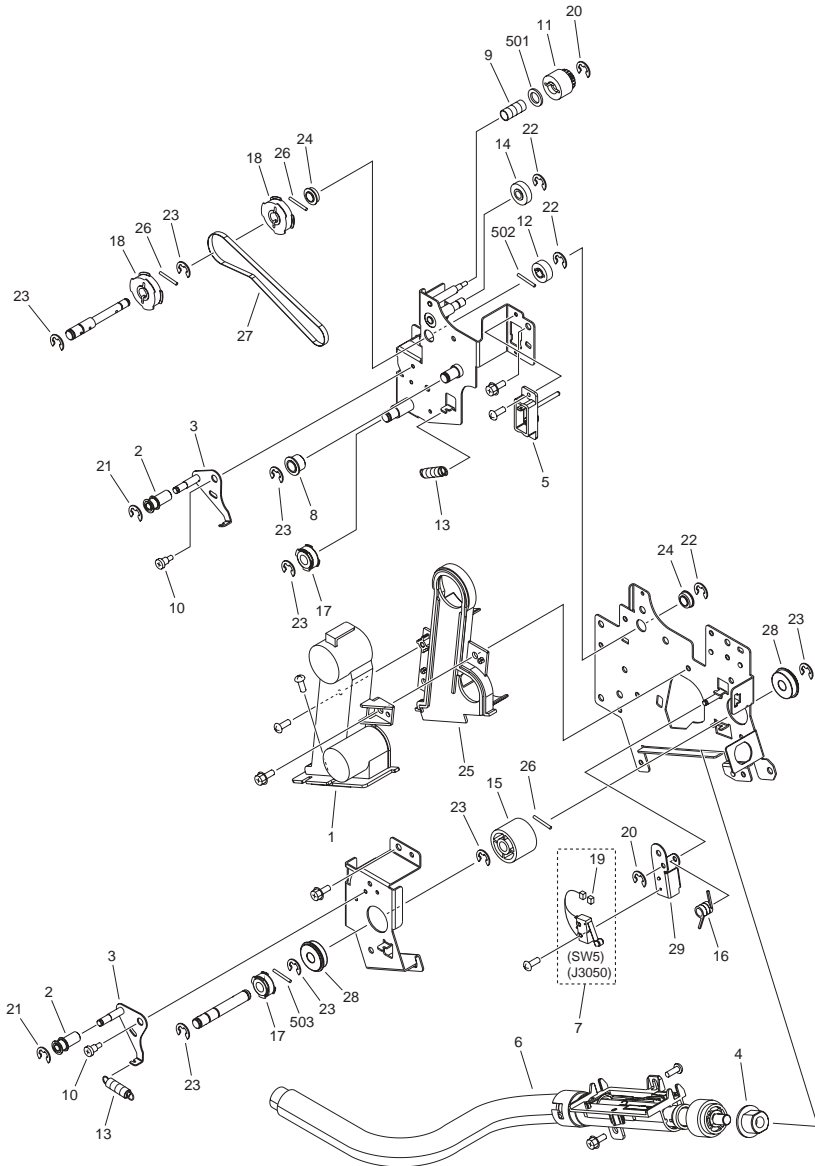
# FIGURE 720 SEPARATION CLAW DRIVE ASSEMBLY



NOTE : This assembly includes the assemblies shown in Figure 710.  
注 : このユニットはFigure 710のユニットに含まれます。

| FIGURE & KEY NO. | PARTS NUMBER | R<br>A<br>N<br>K | Q'TY | DESCRIPTION                    | SERIAL NUMBER/<br>REMARKS | S<br>V<br>C |
|------------------|--------------|------------------|------|--------------------------------|---------------------------|-------------|
| Fig.720          | FG5-5789-000 |                  | 1    | SEPARATION CLAW DRIVE ASSEMBLY | SEE NOTE                  |             |
| 1                | FA3-2473-000 |                  | 1    | LINK, LEFT                     |                           |             |
| 2                | FA3-2474-000 |                  | 1    | LINK, RIGHT                    |                           |             |
| 3                | FA3-2475-000 |                  | 2    | BRACE                          |                           |             |
| 4                | FA3-2476-000 |                  | 1    | LINK                           |                           |             |
| 5                | FA3-2477-000 |                  | 1    | LEVER, RESET, RIGHT            |                           |             |
| 6                | FA3-2478-000 |                  | 1    | LEVER, RESET, LEFT             |                           |             |
| 7                | FA3-2483-000 |                  | 1    | BRAKE                          |                           |             |
| 8                | FS7-2995-000 |                  | 1    | SPRING, LEAF                   |                           |             |
| 9                | FA9-3943-000 |                  | 1    | LEVER, DRIVE                   |                           |             |
| 10               | FB2-8299-000 |                  | 1    | RACK                           |                           |             |
| 11               | FS2-0088-000 |                  | 1    | GEAR, 20T                      |                           |             |
| 12               | FS2-0089-000 |                  | 2    | GEAR, 20T                      |                           |             |
| 13               | FS2-0090-000 |                  | 2    | GEAR, 25T                      |                           |             |
| 14               | FS2-0091-000 |                  | 1    | GEAR, 60T                      |                           |             |
| 15               | FS2-2001-000 |                  | 1    | SPRING, TORSION                |                           |             |
| 16               | FS2-2002-000 |                  | 2    | SPRING                         |                           |             |
| 17               | FS2-2058-000 |                  | 1    | SPRING, COMPRESSION            |                           |             |
| 18               | FS7-2994-000 |                  | 2    | SPRING, LEAF                   |                           |             |

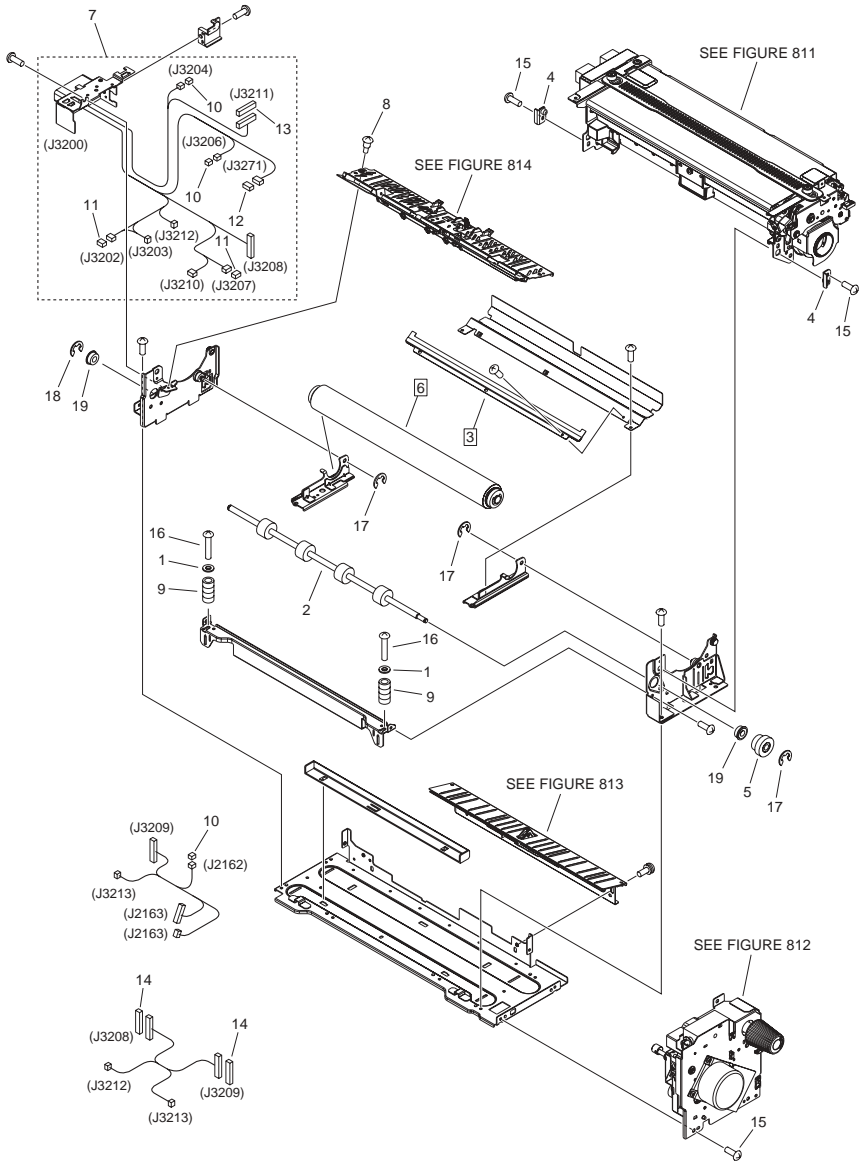
# FIGURE 770 WASTE TONER FEED ASSEMBLY



| FIGURE & KEY NO. | PARTS NUMBER | R<br>A<br>N<br>K | Q'TY | DESCRIPTION                   | SERIAL NUMBER/<br>REMARKS | S<br>V<br>C |
|------------------|--------------|------------------|------|-------------------------------|---------------------------|-------------|
| Fig.770          | FM4-0899-000 |                  | 1    | WASTE TONER FEED ASSEMBLY     |                           |             |
| 1                | FC8-7424-000 |                  | 1    | CAP, WASTE TONER DRIVE, UPPER |                           |             |
| 2                | FC9-5134-000 |                  | 2    | ROLLER, TENSIONER             |                           |             |
| 3                | FL3-0286-000 |                  | 2    | TENSIONER                     |                           |             |
| 4                | FL3-3875-000 |                  | 1    | BUSHING                       |                           |             |
| 5                | FM4-0902-000 |                  | 1    | CONTACT PIN SUPPORT UNIT      |                           |             |
| 6                | FM4-0903-000 |                  | 1    | WASTE TONER SCREW DRIVE ASS'Y |                           |             |
| 7                | FM4-1029-000 |                  | 1    | CABLE, LOCK DETECT SWITCH     | SW5                       |             |
| 8                | FS2-6458-000 |                  | 1    | ROLLER                        |                           |             |
| 9                | FS5-2959-000 |                  | 1    | SPRING, TORSION               |                           |             |
| 10               | FS5-9714-000 |                  | 2    | SCREW, STEPPED, M3            |                           |             |
| 11               | FU9-0315-000 |                  | 1    | GEAR, 18T                     |                           |             |
| 12               | FU6-0446-000 |                  | 1    | GEAR, 18T                     |                           |             |
| 13               | FU7-2692-000 |                  | 2    | SPRING, TENSION               |                           |             |
| 14               | FU8-0079-000 |                  | 1    | GEAR, 20T                     |                           |             |
| 15               | FU8-0082-000 |                  | 1    | GEAR, 26T                     |                           |             |
| 16               | FU8-2515-000 |                  | 1    | SPRING, TORSION               |                           |             |
| 17               | FU9-0157-000 |                  | 2    | PULLEY, 28T                   |                           |             |
| 18               | FU9-0158-000 |                  | 2    | PULLEY, 40T                   |                           |             |
| 19               | VS1-7177-002 |                  | 1    | CONNECTOR, SNAP TIGHT, BK     |                           |             |
| 20               | XD9-0134-000 |                  | 2    | RING, E                       |                           |             |
| 21               | XD9-0135-000 |                  | 2    | RING, E                       |                           |             |
| 22               | XD9-0136-000 |                  | 3    | RING, E                       |                           |             |
| 23               | XD9-0137-010 |                  | 8    | RING, E                       |                           |             |
| 24               | XG9-0705-000 |                  | 2    | BEARING, BALL, MF106ZZS       |                           |             |
| 25               | FL3-1300-000 |                  | 1    | CAP, WASTE TONER DRIVE, LOWER |                           |             |
| 26               | XD9-0292-000 |                  | 3    | PIN, PARALLEL                 |                           |             |
| 27               | XF2-4114-240 |                  | 1    | BELT, TIMING, COGGED          |                           |             |
| 28               | XG9-0492-000 |                  | 2    | BEARING, BALL, 608ZZ          |                           |             |
| 29               | FC9-9131-000 |                  | 1    | SUPPORT, WASTE TONER, SENSOR  |                           |             |
| 501              | XD1-1206-229 |                  | 1    | WASHER, PLAIN                 |                           |             |
| 502              | XD3-2200-102 |                  | 1    | PIN, DOWEL                    |                           |             |

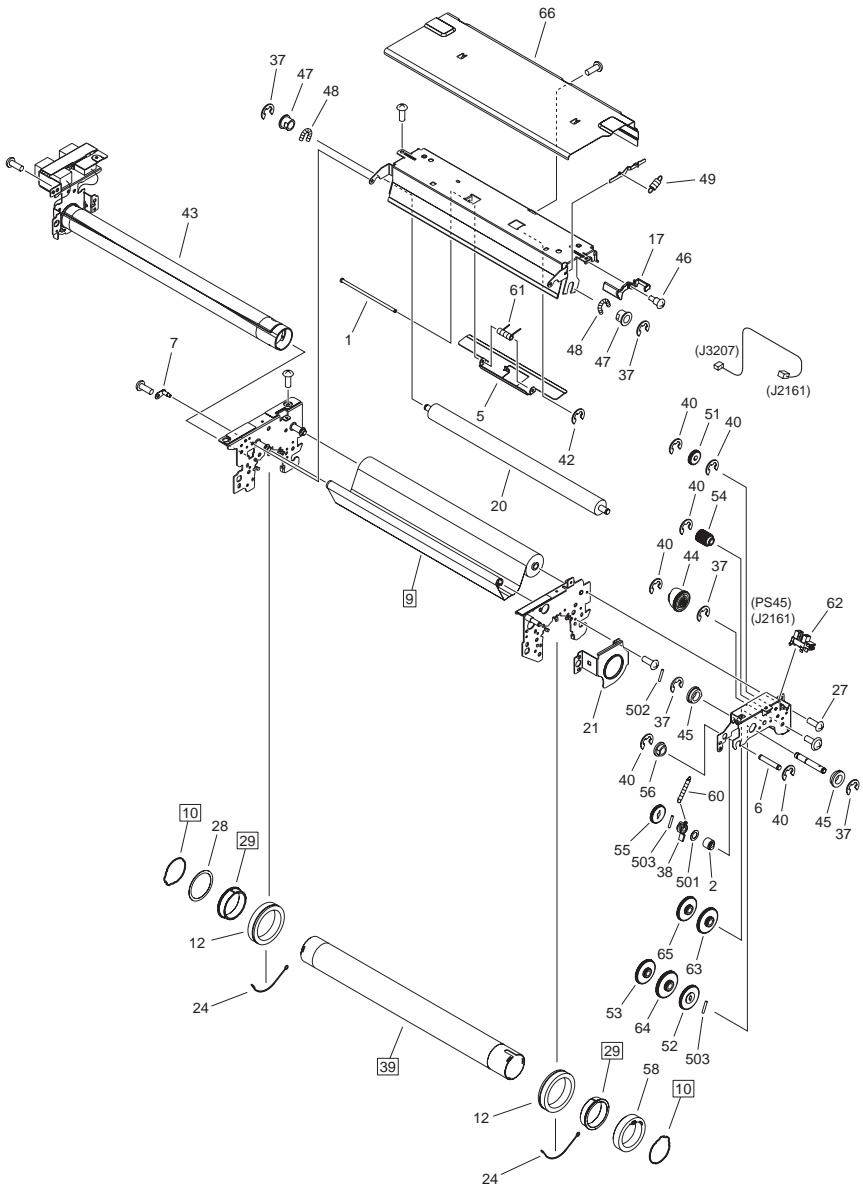
| FIGURE<br>& KEY<br>NO. | PARTS<br>NUMBER | R<br>A<br>N<br>K | Q'TY | DESCRIPTION   | SERIAL NUMBER/<br>REMARKS | S<br>V<br>C |
|------------------------|-----------------|------------------|------|---------------|---------------------------|-------------|
| 503                    | XD3-2200-122    |                  | 1    | PIN, PARALLEL |                           |             |

# FIGURE 810 FIXING ASS'Y

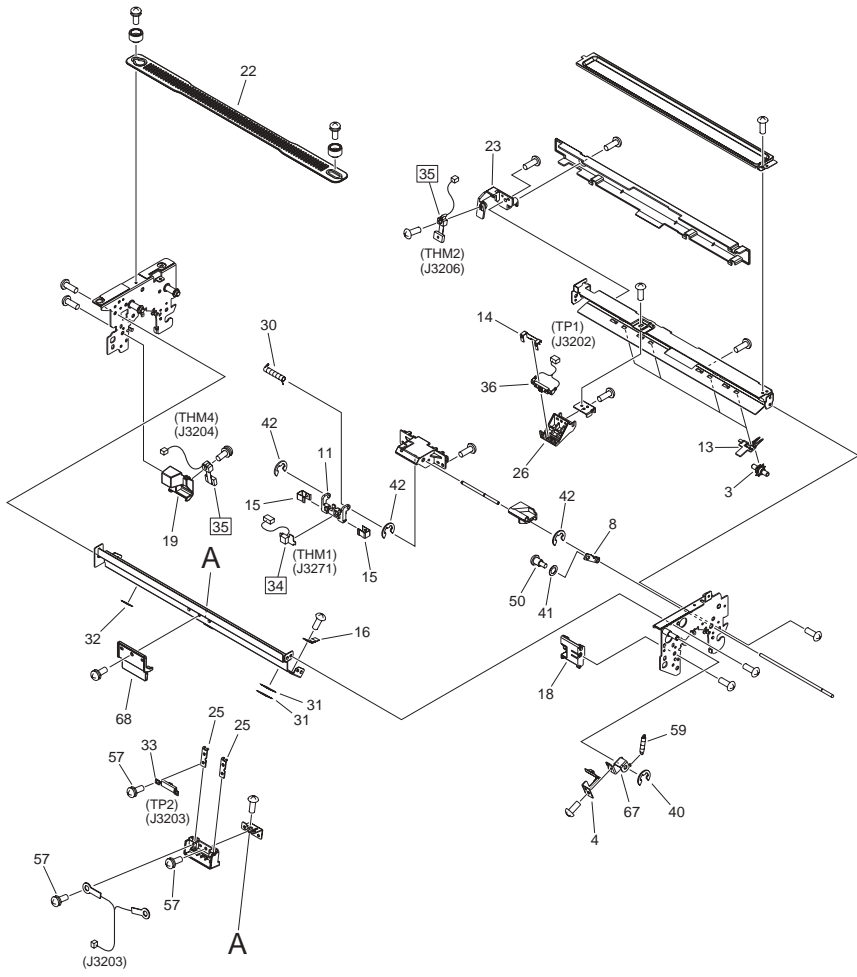


| FIGURE & KEY NO. | PARTS NUMBER | R<br>A<br>N<br>K | Q'TY | DESCRIPTION                     | SERIAL NUMBER/<br>REMARKS | S<br>V<br>C |
|------------------|--------------|------------------|------|---------------------------------|---------------------------|-------------|
| Fig.810          | NPN          |                  | RF   | FIXING ASS'Y                    |                           |             |
| 1                | FB4-1200-020 |                  | 2    | COLLAR, SPRING                  |                           |             |
| 2                | FC8-9520-000 |                  | 1    | ROLLER, INNER PAPER DELIVERY    |                           |             |
| 3                | FC9-6170-000 |                  | 1    | ELIMINATOR, STATIC CHARGE       | [DP]                      |             |
| 4                | FL3-0219-000 |                  | 2    | SUPPORT, FIXING                 |                           |             |
| 5                | FL3-3731-000 |                  | 1    | GEAR, 19T                       |                           |             |
| 6                | FM4-3158-000 |                  | 1    | ROLLER, PRESSURE                | [DP]                      |             |
| 7                | FM4-5158-000 |                  | 1    | CABLE, FIXING DC DRAWER         |                           |             |
| 8                | FS5-9162-020 |                  | 1    | SCREW, STEPPED                  |                           |             |
| 9                | FU6-2858-000 |                  | 2    | SPRING, COMPRESSION             |                           |             |
| 10               | VS1-7177-002 |                  | 3    | CONNECTOR, SNAP TIGHT, BK       |                           |             |
| 11               | VS1-7177-003 |                  | 2    | CONNECTOR, SNAP TIGHT, BK       |                           |             |
| 12               | VS1-7177-004 |                  | 1    | CONNECTOR, SNAP TIGHT, BK       |                           |             |
| 13               | VS1-7177-006 |                  | 1    | CONNECTOR, SNAP TIGHT, BK       |                           |             |
| 14               | VS1-7177-009 |                  | 2    | CONNECTOR, 9P                   |                           |             |
| 15               | XA9-1031-000 |                  | 7    | SCREW, MACH. TRUSS HEAD, M4X6   |                           |             |
| 16               | XA9-1945-000 |                  | 2    | SCREW, MACH., TRUSS HEAD, M4X45 |                           |             |
| 17               | XD9-0136-000 |                  | 3    | RING, E                         |                           |             |
| 18               | XD9-0137-010 |                  | 1    | RING, E                         |                           |             |
| 19               | XG9-0365-000 |                  | 2    | BEARING, BALL                   |                           |             |

# FIGURE 811 FIXING ASS'Y, UPPER





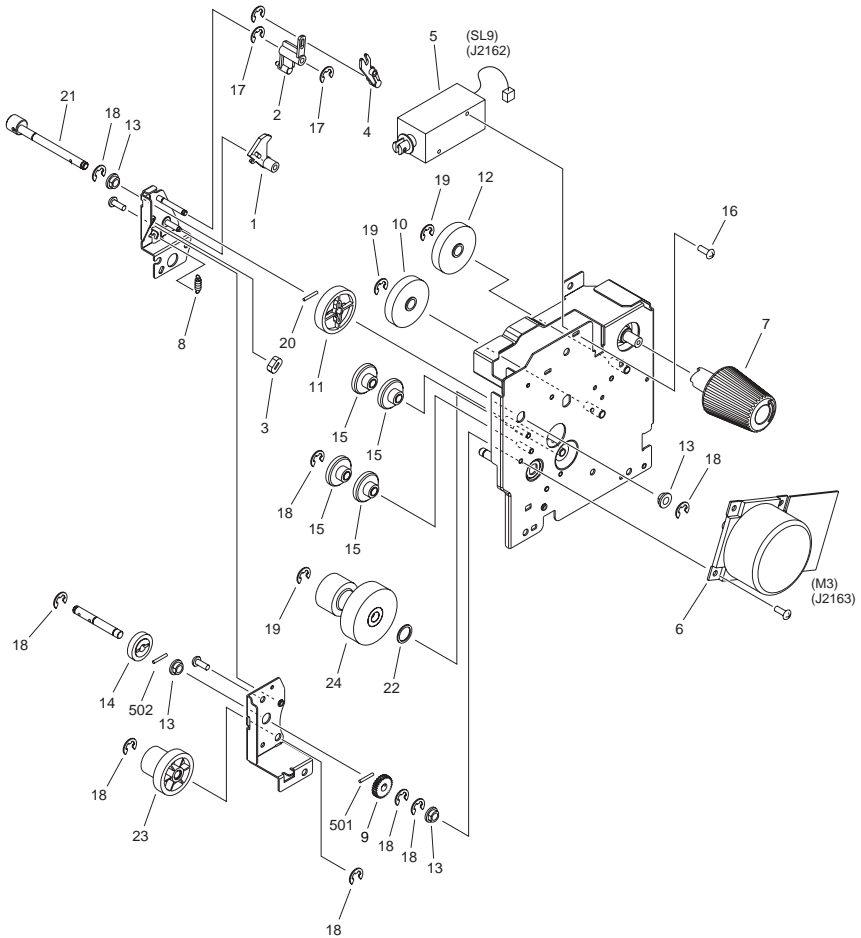


| FIGURE & KEY NO. | PARTS NUMBER | R<br>A<br>N<br>K | Q'TY | DESCRIPTION                    | SERIAL NUMBER/<br>REMARKS | S<br>V<br>C |
|------------------|--------------|------------------|------|--------------------------------|---------------------------|-------------|
| Fig.811          | FM3-7340-000 |                  | 1    | FIXING ASS'Y, UPPER            |                           |             |
| 1                | FA6-3071-020 |                  | 1    | ROD, PLATE MOUNTING            |                           |             |
| 2                | FB1-6833-000 |                  | 1    | BUSHING                        |                           |             |
| 3                | FB1-8776-000 |                  | 4    | ROWEL                          |                           |             |
| 4                | FB2-7219-030 |                  | 1    | PLATE, LIMIT, ARM              |                           |             |
| 5                | FB2-7221-000 |                  | 1    | PLATE, SUPPORT                 |                           |             |
| 6                | FB2-7230-000 |                  | 1    | SHAFT, ONE-WAY                 |                           |             |
| 7                | FL2-3051-000 |                  | 1    | PLATE,ROLL SHAFT,REAR          |                           |             |
| 8                | FB5-5521-000 |                  | 1    | HOLDER, SHAFT                  |                           |             |
| 9                | FC5-2286-000 |                  | 1    | CLEANER SUPPLY ROLL            | [DP]                      |             |
| 10               | FC6-3501-020 |                  | 2    | RETAINER,FIXING ROLLER,THRUST  | [DP]                      |             |
| 11               | FC6-3592-000 |                  | 1    | HOLDER,MAIN THERMISTOR         |                           |             |
| 12               | FC6-3673-000 |                  | 2    | RETAINER,BEARING               |                           |             |
| 13               | FC6-3808-000 |                  | 4    | HOLDER, ROLLER                 |                           |             |
| 14               | FC7-0658-000 |                  | 1    | SPRING, LEAF, SWITCH RETAINING |                           |             |
| 15               | FC7-7800-000 |                  | 2    | SPRING                         |                           |             |
| 16               | FC0-2111-000 |                  | 1    | ELIMINATOR, STATIC CHARGE      |                           |             |
| 17               | FC8-7247-000 |                  | 1    | LEVER, CLEANER REMNANT SENSING |                           |             |
| 18               | FC8-7251-000 |                  | 1    | STOPPER, CLAW, FRONT           |                           |             |
| 19               | FC8-7252-000 |                  | 1    | HOLDER, SUB THERMISTOR, LEFT   |                           |             |
| 20               | FC8-7257-000 |                  | 1    | ROLLER, CLEANING               |                           |             |
| 21               | FC8-9508-000 |                  | 1    | PLATE, SHAFT FIXED, FRONT      |                           |             |
| 22               | FC8-9509-000 |                  | 1    | BELT, HANDLE                   |                           |             |
| 23               | FC8-9512-000 |                  | 1    | HOLDER, SUB THERMISTOR, RIGHT  |                           |             |
| 24               | XG9-0563-000 |                  | 2    | BEARING,BALL,6809ZZN S1C4      |                           |             |
| 25               | FC8-9530-000 |                  | 2    | PLATE, THERMOSWITCH ELECTRODE  |                           |             |
| 26               | FC9-5123-000 |                  | 1    | HOLDER, THERMO SWITCH, RIGHT   |                           |             |
| 27               | XA9-1031-000 |                  | 2    | SCREW, MACH. TRUSS HEAD, M4X6  |                           |             |
| 28               | FC9-8067-000 |                  | 1    | SPACER, BUSHING                |                           |             |
| 29               | FC9-8069-000 |                  | 2    | BUSHING                        | [DP]                      |             |
| 30               | FC9-8085-000 |                  | 1    | SPRING, COMPRESSION            |                           |             |
| 31               | FC9-9174-000 |                  | 2    | SHEET, SPACER                  |                           |             |

| FIGURE & KEY NO. | PARTS NUMBER | R<br>A<br>N<br>K | Q'TY | DESCRIPTION                    | SERIAL NUMBER/<br>REMARKS | S<br>V<br>C |
|------------------|--------------|------------------|------|--------------------------------|---------------------------|-------------|
| 32               | FC9-9175-000 |                  | 1    | SHEET, SPACER                  |                           |             |
| 33               | FK2-7679-000 |                  | 1    | THERMOSWITCH                   | TP2                       |             |
| 34               | FK2-7692-000 |                  | 1    | THERMISTOR UNIT, MAIN          | THM1 [DP]                 |             |
| 35               | FK2-7693-000 |                  | 2    | THERMISTOR UNIT, SUB           | THM2,THM4 [DP]            |             |
| 36               | FK2-7698-000 |                  | 1    | THERMOSWITCH                   | TP1                       |             |
| 37               | XD9-0137-010 |                  | 5    | RING, E                        |                           |             |
| 38               | FL3-2159-000 |                  | 1    | ARM, ONE-WAY                   |                           |             |
| 39               | FL3-3602-000 |                  | 1    | ROLLER, FIXING                 | [DP]                      |             |
| 40               | XD9-0136-000 |                  | 6    | RING, E                        |                           |             |
| 41               | XD9-0067-000 |                  | 1    | WASHER, FRONT PANEL ARM, S     |                           |             |
| 42               | XD9-0134-000 |                  | 3    | RING, E                        |                           |             |
| 43               | FM4-5160-000 |                  | 1    | FIXING HEATER UNIT             |                           |             |
| 44               | FM4-5308-000 |                  | 1    | RECIPROCATING GEAR CAM UNIT    |                           |             |
| 45               | FS1-1449-000 |                  | 2    | BUSHING, PL                    |                           |             |
| 46               | FS1-9009-020 |                  | 1    | TWO-STEP SCREW, M3             |                           |             |
| 47               | FS2-1256-000 |                  | 2    | BUSHING                        |                           |             |
| 48               | FU8-2523-000 |                  | 2    | SPRING, TENSION                |                           |             |
| 49               | FS5-2940-000 |                  | 1    | SPRING, TENSION                |                           |             |
| 50               | FS5-9162-020 |                  | 1    | SCREW, STEPPED                 |                           |             |
| 51               | FS6-0103-000 |                  | 1    | GEAR, 28T                      |                           |             |
| 52               | FS7-0891-000 |                  | 1    | GEAR, 60T                      |                           |             |
| 53               | FS6-0105-000 |                  | 1    | GEAR, 22T/60T                  |                           |             |
| 54               | FS6-0106-000 |                  | 1    | GEAR, 23T                      |                           |             |
| 55               | FS6-0134-000 |                  | 1    | GEAR                           |                           |             |
| 56               | FU6-1193-000 |                  | 1    | BUSHING                        |                           |             |
| 57               | XA9-1932-000 |                  | 5    | SCREW, W/WASHER, M3X6          |                           |             |
| 58               | FU8-0505-000 |                  | 1    | GEAR, 52T                      |                           |             |
| 59               | FU8-2315-000 |                  | 1    | SPRING, TENSION                |                           |             |
| 60               | FU8-2316-000 |                  | 1    | SPRING, TENSION                |                           |             |
| 61               | FU8-2516-000 |                  | 1    | SPRING, TORSION                |                           |             |
| 62               | WG8-5848-000 |                  | 1    | PHOTO-INTERRUPTER,GP1A173LCS0F | PS45                      |             |
| 63               | FS7-0893-000 |                  | 1    | GEAR, 22T/63T                  |                           |             |

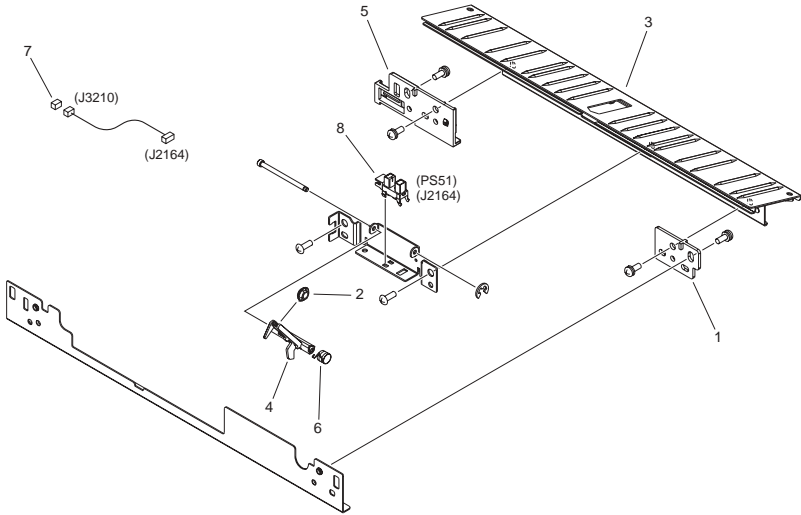
| FIGURE<br>& KEY<br>NO. | PARTS<br>NUMBER | R<br>A<br>N<br>K | Q'TY | DESCRIPTION          | SERIAL NUMBER/<br>REMARKS | S<br>V<br>C |
|------------------------|-----------------|------------------|------|----------------------|---------------------------|-------------|
| 64                     | FS7-0894-000    |                  | 1    | GEAR, 19T/63T        |                           |             |
| 65                     | FS7-0895-000    |                  | 1    | GEAR, 19T/60T        |                           |             |
| 66                     | FC8-9527-000    |                  | 1    | COVER, FIXING, UPPER |                           |             |
| 67                     | FC9-5137-000    |                  | 1    | PLATE, LIMIT, ARM, 2 |                           |             |
| 68                     | FC8-9529-000    |                  | 1    | COVER, THERMO SWITCH |                           |             |
| 501                    | XD1-1106-235    |                  | 1    | WASHER, SHIM         |                           |             |
| 502                    | XD3-1300-122    |                  | 1    | PIN, SPRING          |                           |             |
| 503                    | XD3-2200-122    |                  | 2    | PIN, PARALLEL        |                           |             |

FIGURE 812  
FIXING DRIVE ASS'Y



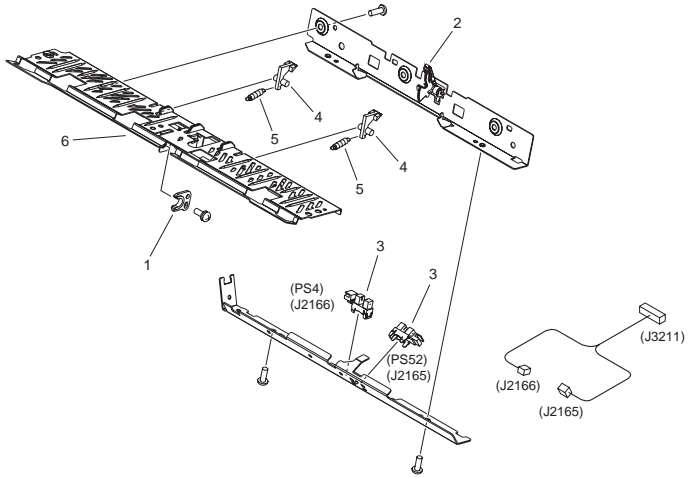
| FIGURE & KEY NO. | PARTS NUMBER | R<br>A<br>N<br>K | Q'TY | DESCRIPTION        | SERIAL NUMBER/<br>REMARKS | S<br>V<br>C |
|------------------|--------------|------------------|------|--------------------|---------------------------|-------------|
| Fig.812          | FM3-7339-000 |                  | 1    | FIXING DRIVE ASS'Y |                           |             |
| 1                | FB2-7243-000 |                  | 1    | ARM, SOLENOID, 2   |                           |             |
| 2                | FC8-7235-000 |                  | 1    | LINK, SOLENOID     |                           |             |
| 3                | FC8-7236-000 |                  | 1    | DAMPER             |                           |             |
| 4                | FC8-7244-000 |                  | 1    | ARM, SOLENOID      |                           |             |
| 5                | FK2-0839-000 |                  | 1    | SOLENOID           | SL9                       |             |
| 6                | FK2-7670-000 |                  | 1    | MOTOR, DC          | M3                        |             |
| 7                | FM2-4169-000 |                  | 1    | FIXING KNOB UNIT   |                           |             |
| 8                | FS5-2967-000 |                  | 1    | SPRING, TENSION    |                           |             |
| 9                | FS6-0103-000 |                  | 1    | GEAR, 28T          |                           |             |
| 10               | FS7-0665-000 |                  | 1    | GEAR, 60T          |                           |             |
| 11               | FU3-0302-000 |                  | 1    | GEAR, 58T          |                           |             |
| 12               | FU6-0738-000 |                  | 1    | GEAR,60T           |                           |             |
| 13               | FU6-1193-000 |                  | 4    | BUSHING            |                           |             |
| 14               | FU9-0045-000 |                  | 1    | GEAR, 20T          |                           |             |
| 15               | FU9-0156-000 |                  | 4    | GEAR, 16T/38T      |                           |             |
| 16               | XA9-1659-000 |                  | 2    | SCREW,M3X4         |                           |             |
| 17               | XD9-0134-000 |                  | 2    | RING, E            |                           |             |
| 18               | XD9-0136-000 |                  | 8    | RING, E            |                           |             |
| 19               | XD9-0137-010 |                  | 3    | RING, E            |                           |             |
| 20               | XD9-0290-000 |                  | 1    | PIN, PARALLEL      |                           |             |
| 21               | FL3-0285-000 |                  | 1    | CAM                |                           |             |
| 22               | FS5-6487-000 |                  | 1    | WASHER             |                           |             |
| 23               | FU9-0083-000 |                  | 1    | GEAR, 33T/20T      |                           |             |
| 24               | FC6-3494-000 |                  | 1    | GEAR,71T/26T       |                           |             |
| 501              | XD3-2200-102 |                  | 1    | PIN, DOWEL         |                           |             |
| 502              | XD3-2200-122 |                  | 1    | PIN, PARALLEL      |                           |             |

# FIGURE 813 FIXING ENTRANCE GUIDE ASS'Y



| FIGURE & KEY NO. | PARTS NUMBER | R<br>A<br>N<br>K | Q'TY | DESCRIPTION                    | SERIAL NUMBER/<br>REMARKS | S<br>V<br>C |
|------------------|--------------|------------------|------|--------------------------------|---------------------------|-------------|
| Fig.813          | NPN          |                  | 1    | FIXING ENTRANCE GUIDE ASS'Y    |                           |             |
| 1                | FB5-6948-000 |                  | 1    | PLATE, HEIGHT ADJUSTING        |                           |             |
| 2                | FB6-3150-000 |                  | 1    | ROLLER, TRANSFER SENSOR        |                           |             |
| 3                | FC8-9517-000 |                  | 1    | GUIDE, ENTRANCE                |                           |             |
| 4                | FC5-5145-000 |                  | 1    | FLAG, FIXING ENTRANCE SENSOR   |                           |             |
| 5                | FC9-5026-000 |                  | 1    | MOUNT, HEIGHT                  |                           |             |
| 6                | FU5-2175-000 |                  | 1    | SPRING, TORSION                |                           |             |
| 7                | VS1-7177-003 |                  | 1    | CONNECTOR, SNAP TIGHT, BK      |                           |             |
| 8                | WG8-5848-000 |                  | 1    | PHOTO-INTERRUPTER,GP1A173LCS0F | PS51                      |             |

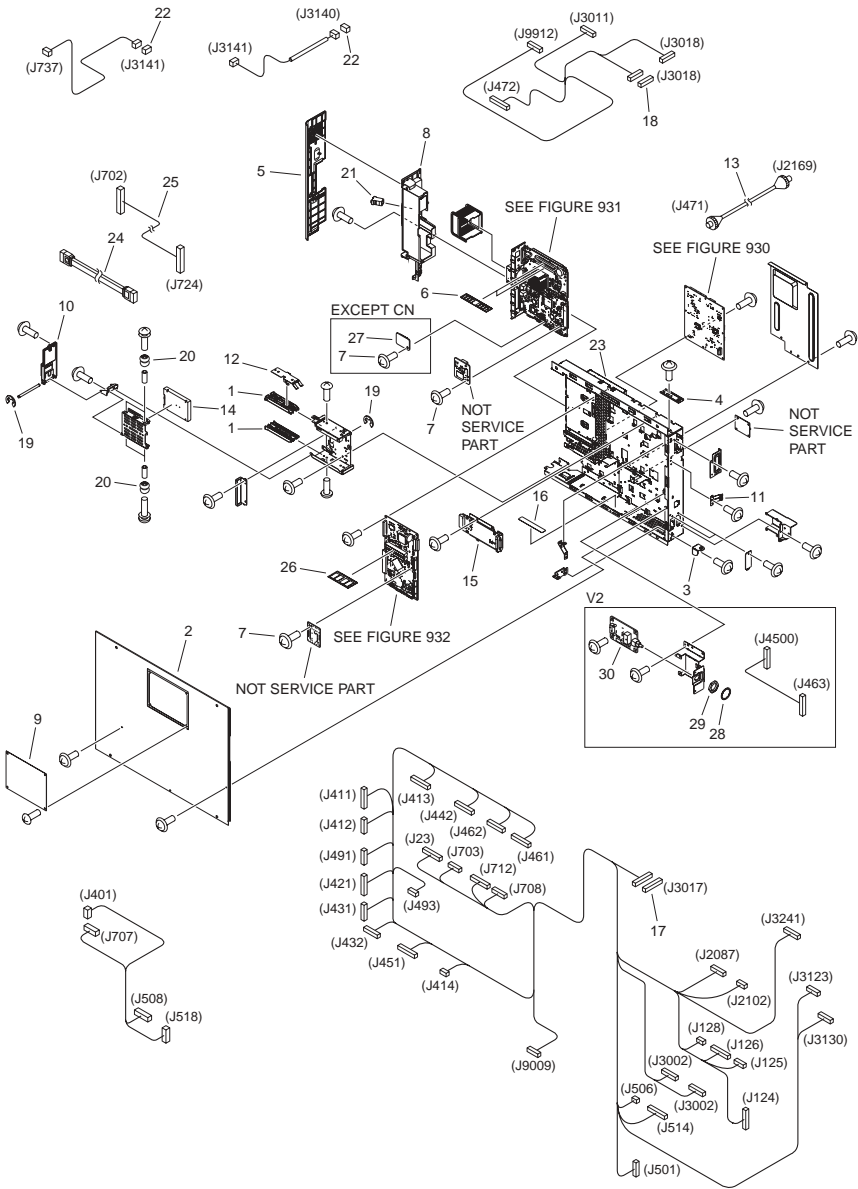
# FIGURE 814 FIXING EXIT GUIDE ASS'Y



| FIGURE & KEY NO. | PARTS NUMBER | RANK | QTY | DESCRIPTION                    | SERIAL NUMBER/REMARKS | SVC |
|------------------|--------------|------|-----|--------------------------------|-----------------------|-----|
| Fig.814          | NPN          |      | 1   | FIXING EXIT GUIDE ASS'Y        |                       |     |
| 1                | FB5-5530-000 |      | 1   | HOLDER, SHAFT                  |                       |     |
| 2                | FL3-3619-000 |      | 1   | CLAMP UNIT, SEPARATION CLAW    |                       |     |
| 3                | WG8-5848-000 |      | 2   | PHOTO-INTERRUPTER,GP1A173LCS0F | PS4,PS52              |     |
| 4                | FA2-9037-000 |      | 2   | SEPARATION CLAW, LOWER         |                       |     |
| 5                | FS1-2834-000 |      | 2   | SPRING, TENSION                |                       |     |
| 6                | FL3-3736-000 |      | 1   | GUIDE, INNER PAPER DELIVERY, H |                       |     |

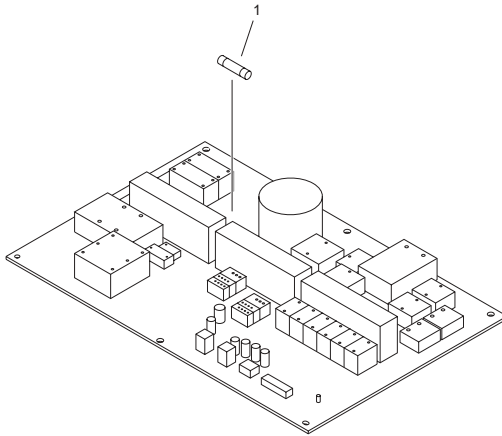


# FIGURE 900 CONTROLLER BOX ASSEMBLY



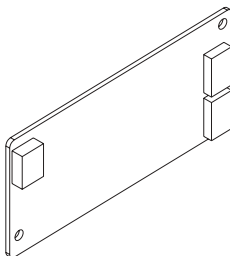
| FIGURE & KEY NO. | PARTS NUMBER | R<br>A<br>N<br>K | Q'TY | DESCRIPTION                 | SERIAL NUMBER/<br>REMARKS | S<br>V<br>C |
|------------------|--------------|------------------|------|-----------------------------|---------------------------|-------------|
| Fig.900          | NPN          |                  | RF   | CONTROLLER BOX ASSEMBLY     |                           |             |
| 1                | FC8-4051-000 |                  | 2    | RAIL, HARD DISK DRIVE GUIDE |                           |             |
| 2                | FC8-7016-000 |                  | 1    | COVER, REAR UPPER           |                           |             |
| 3                | FC8-7023-000 |                  | 1    | SUPPORT, HINGE, 1           |                           |             |
| 4                | FC8-7024-000 |                  | 1    | SUPPORT, HINGE, 2           |                           |             |
| 5                | FC9-0079-000 |                  | 1    | COVER, RIGHT REAR, 1        |                           |             |
| 6                | FM4-0831-000 |                  | 2    | DIMM ASS'Y                  |                           |             |
| 7                | XA9-1979-000 |                  | 3    | SCREW, WWASHER, M3X4        |                           |             |
| 8                | FC9-6958-000 |                  | 1    | COVER, SIDE                 |                           |             |
| 9                | FC9-7059-000 |                  | 1    | COVER, REAR, SMALL          |                           |             |
| 10               | FC9-7847-000 |                  | 1    | COVER, HARD DISK DRIVE      |                           |             |
| 11               | FC9-8812-000 |                  | 1    | PLATE, GROUNDING            |                           |             |
| 12               | FC9-8980-000 |                  | 1    | SPRING, LEAF                |                           |             |
| 13               | FK2-7714-000 |                  | 1    | CABLE, COAXIAL              |                           |             |
| 14               | FK2-8418-000 |                  | 1    | HARD DISK DRIVE             |                           |             |
| 15               | FM3-9201-000 |                  | 1    | CHANNEL LINK PCB ASSEMBLY   |                           |             |
| 16               | FU6-8861-000 |                  | 1    | LABEL, MEMORY CAUTION       |                           |             |
| 17               | VS1-7173-017 |                  | 1    | CONNECTOR, SNAP TIGHT       |                           |             |
| 18               | VS1-8412-009 |                  | 1    | CONNECTOR, SNAP TIGHT, BL   |                           |             |
| 19               | XD9-0134-000 |                  | 2    | RING, E                     |                           |             |
| 20               | XH9-0132-000 |                  | 4    | DAMPER, CUSHION             |                           |             |
| 21               | XZ9-0379-000 |                  | 1    | LATCH                       |                           |             |
| 22               | VS1-7177-002 |                  | 2    | CONNECTOR, SNAP TIGHT, BK   |                           |             |
| 23               | FL3-5778-000 |                  | 1    | BOX, ELECTRICAL COMPONENTS  |                           |             |
| 24               | FK2-7824-000 |                  | 1    | CABLE, HARD DISK DRIVE DATA |                           |             |
| 25               | FK2-7825-000 |                  | 1    | CABLE, HARD DISK P. S.      |                           |             |
| 26               | FM3-9203-000 |                  | 1    | DIMM ASS'Y                  |                           |             |
| 27               | FM4-0783-000 |                  | 1    | TPM PCB ASSEMBLY            | EXCEPT CN                 |             |
| 28               | FC7-0616-000 |                  | 1    | WASHER, TOOTHED LOCK        | V2                        |             |
| 29               | FC7-0617-000 |                  | 1    | NUT                         | V2                        |             |
| 30               | FM4-8569-000 |                  | 1    | INTERFACE PCB ASSEMBLY      | V2                        |             |

# FIGURE 910 IH POWER SUPPLY PCB ASS'Y



| FIGURE & KEY NO. | PARTS NUMBER | RANK | Q'TY | DESCRIPTION               | SERIAL NUMBER/REMARKS | SVC |
|------------------|--------------|------|------|---------------------------|-----------------------|-----|
| Fig.910          | FM4-1092-000 |      | 1    | IH POWER SUPPLY PCB ASS'Y |                       |     |
| 1                | VD7-3422-002 |      | 1    | FUSE                      | FU101                 |     |
| L                | FH3-0937-000 |      | 1    | INDUCTOR                  | L101                  |     |
| T                | FK2-0598-000 |      | 1    | TRANSFORMER               | T101                  |     |
| T                | FK2-0680-000 |      | 2    | TRANSFORMER               | T161,T171             |     |
| T                | FK2-0681-000 |      | 1    | TRANSFORMER               | T102                  |     |
| T                | RH3-0323-000 |      | 2    | TRANSFORMER               | T301,T302             |     |

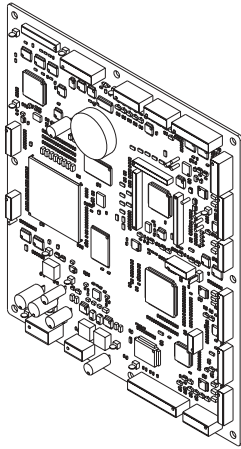
# FIGURE 920 INVERTER PCB ASSEMBLY



NOTE : This assembly is included in the assembly shown in Figure 135.  
注 : このユニットはFigure 135のユニットに含まれます。

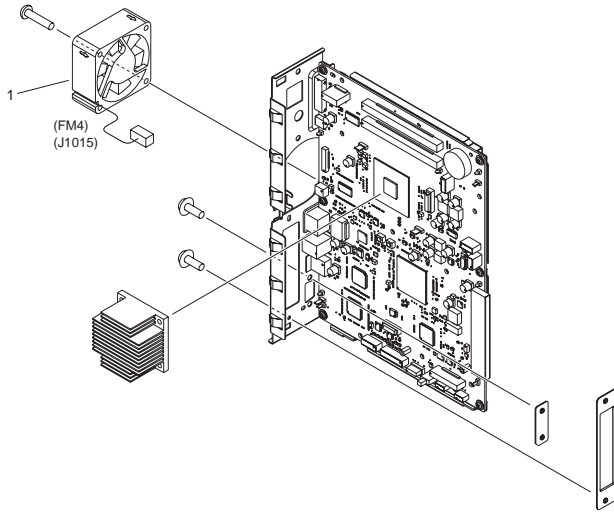
| FIGURE & KEY NO. | PARTS NUMBER | RANK | QTY | DESCRIPTION           | SERIAL NUMBER/REMARKS | SVC |
|------------------|--------------|------|-----|-----------------------|-----------------------|-----|
| Fig.920          | FM3-9994-000 |      | 1   | INVERTER PCB ASSEMBLY | SEE NOTE              |     |
| T                | FK2-8080-000 |      | 1   | TRANSFORMER, INVERTER | T1                    |     |

# FIGURE 930 DC CONTROLLER PCB ASS'Y



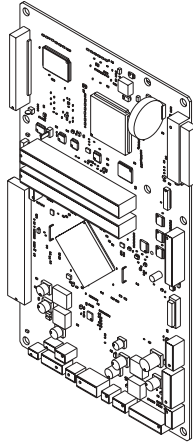
| FIGURE & KEY NO. | PARTS NUMBER | RANK | QTY | DESCRIPTION                | SERIAL NUMBER/REMARKS | SVC |
|------------------|--------------|------|-----|----------------------------|-----------------------|-----|
| Fig.930          | FM4-1105-000 |      | 1   | DC CONTROLLER PCB ASSY     | EXCEPT V2             |     |
| Fig.930          | FM4-8571-000 |      | 1   | DC CONTROLLER PCB ASSY     | V2                    |     |
| IC               | FH4-6300-000 |      | 1   | IC, M38871M2-010GP, MCU    | IC13                  |     |
| IC               | FK2-7596-000 |      | 1   | IC, STANDARD CELL          | IC101                 |     |
| IC               | FK3-1009-000 |      | 1   | IC, T6UN8EFG-0002(O)       | IC23                  |     |
| IC               | FK2-7712-000 |      | 1   | IC, T6UP4AFG-0102(O), MPU  | IC28                  |     |
| IC               | FK2-7721-000 |      | 1   | IC, R5F61638N50FPV-FK27721 | IC14                  |     |

# FIGURE 931 MAIN CONTROLLER PCB ASS'Y, 1



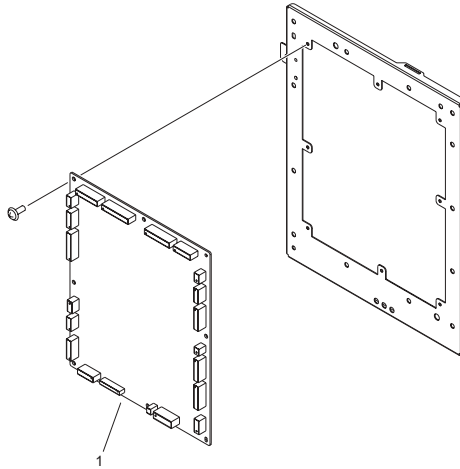
| FIGURE & KEY NO. | PARTS NUMBER | RANK | QTY | DESCRIPTION                  | SERIAL NUMBER/REMARKS | SVC |
|------------------|--------------|------|-----|------------------------------|-----------------------|-----|
| Fig.931          | FM4-5303-000 |      | 1   | MAIN CONTROLLER PCB ASS'Y, 1 | iR-ADV 8085           |     |
| Fig.931          | FM4-5304-000 |      | 1   | MAIN CONTROLLER PCB ASS'Y, 1 | iR-ADV 8095           |     |
| Fig.931          | FM4-5305-000 |      | 1   | MAIN CONTROLLER PCB ASS'Y, 1 | iR-ADV 8105           |     |
| 1                | FK2-8276-000 |      | 1   | FAN                          | FM4                   |     |
| IC               | FK2-8272-000 |      | 1   | IC, LE80578EG009C, MPU       | IC3                   |     |

# FIGURE 932 MAIN CONTROLLER PCB ASS'Y, 2



| FIGURE & KEY NO. | PARTS NUMBER | RANK | Q'TY | DESCRIPTION                   | SERIAL NUMBER/REMARKS | SVC |
|------------------|--------------|------|------|-------------------------------|-----------------------|-----|
| Fig.932          | FM3-9213-000 |      | 1    | MAIN CONTROLLER PCB ASS'Y, 2  |                       |     |
| IC               | FK2-3218-000 |      | 1    | IC, MB87L8650, GATE ARRAY     | IC24                  |     |
| IC               | FK2-6757-000 |      | 1    | IC, FSC0HD200B, STANDARD CELL | IC36                  |     |
| IC               | FK2-7819-000 |      | 1    | IC, ASIC, MB87Q1921           | IC35                  |     |
| IC               | FK2-7835-000 |      | 1    | IC, ASIC, R8A03018ABG         | IC1                   |     |
| IC               | FK2-7829-000 |      | 1    | IC, CLOCK GENERATOR, HYBRID   | IC22                  |     |
| IC               | FK2-8321-000 |      | 1    | IC, MB87S1801                 | IC7                   |     |

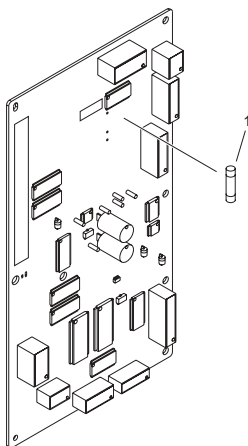
# FIGURE 960 MAIN DRIVE DRIVER PCB ASS'Y



| FIGURE & KEY NO. | PARTS NUMBER | RANK | QTY | DESCRIPTION                    | SERIAL NUMBER/REMARKS | SVC |
|------------------|--------------|------|-----|--------------------------------|-----------------------|-----|
| Fig.960          | NPN          |      | RF  | MAIN DRIVE DRIVER PCB ASS'Y    |                       |     |
| 1                | FM4-1083-000 |      | 1   | MAIN DRIVE DRIVER PCB ASS'Y    |                       |     |
| IC               | FK2-1773-000 |      | 3   | IC,TC200GO2EFG-1031,GATE ARRAY | IC1,IC2,IC3           |     |



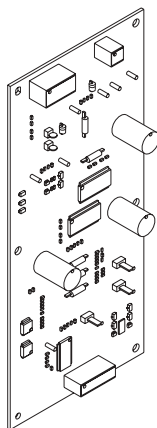
# FIGURE 961 AC DRIVER PCB ASS'Y



NOTE : This assembly is included in the assembly shown in Figure 140.  
注 : このユニットはFigure 140のユニットに含まれます。

| FIGURE & KEY NO. | PARTS NUMBER | RANK | QTY | DESCRIPTION          | SERIAL NUMBER/REMARKS | SVC |
|------------------|--------------|------|-----|----------------------|-----------------------|-----|
| Fig.961          | FM4-1087-000 |      | 1   | AC DRIVER PCB ASS'Y  | SEE NOTE 100V,120V    |     |
| Fig.961          | FM4-1088-000 |      | 1   | AC DRIVER PCB ASS'Y  | SEE NOTE 230V         |     |
| 1                | VD7-0522-501 |      | 1   | FUSE, 2.5A, 125V     | 100V,120V FU601       |     |
| 1                | VD7-2892-501 |      | 1   | FUSE, 2.5A, 125V     | 230V FU601            |     |
| SR               | FK2-7682-000 |      | 1   | SENSOR UNIT, CURRENT | 100V,120V SR601       |     |
| SR               | FK2-7681-000 |      | 1   | SENSOR UNIT, CURRENT | 230V SR601            |     |

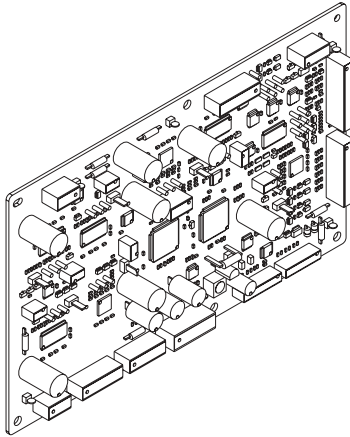
# FIGURE 962 NOISE FILTER PCB ASSEMBLY



NOTE : This assembly is included in the assembly shown in Figure 140.  
注 : このユニットはFigure 140のユニットに含まれます。

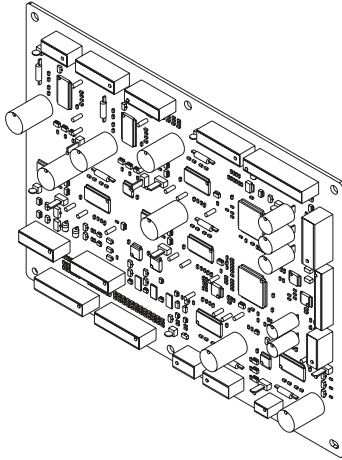
| FIGURE & KEY NO. | PARTS NUMBER | RANK | QTY | DESCRIPTION               | SERIAL NUMBER/REMARKS | SVC |
|------------------|--------------|------|-----|---------------------------|-----------------------|-----|
| Fig.962          | FM4-1098-000 |      | 1   | NOISE FILTER PCB ASSEMBLY | SEE NOTE 100V,120V    |     |
| Fig.962          | FM4-1100-000 |      | 1   | NOISE FILTER PCB ASSEMBLY | SEE NOTE 230V         |     |
| L                | FH3-0991-000 |      | 2   | INDUCTOR                  | 100V,120V L801,L802   |     |
| L                | FH3-0937-000 |      | 1   | INDUCTOR                  | 230V L801             |     |

# FIGURE 963 DUPLEXING DRIVER PCB ASSEMBLY



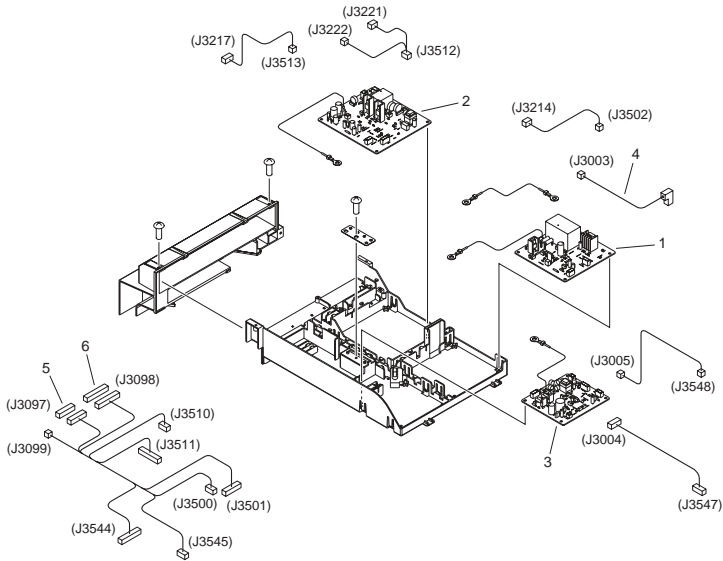
| FIGURE & KEY NO. | PARTS NUMBER | RANK | QTY | DESCRIPTION                    | SERIAL NUMBER/REMARKS | SVC |
|------------------|--------------|------|-----|--------------------------------|-----------------------|-----|
| Fig.963          | FM4-1085-000 |      | 1   | DUPLEXING DRIVER PCB ASSEMBLY  |                       |     |
| IC               | FK2-1773-000 |      | 2   | IC,TC200GO2EFG-1031,GATE ARRAY | IC319,IC320           |     |

# FIGURE 964 FEED DRIVER PCB ASSEMBLY



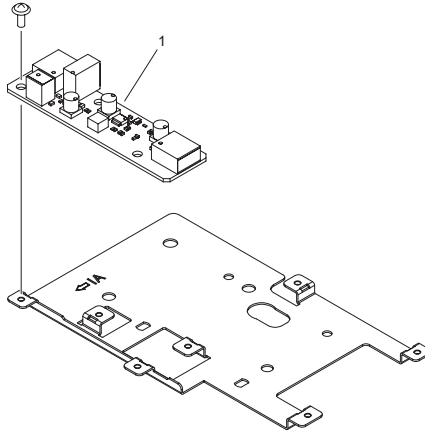
| FIGURE & KEY NO. | PARTS NUMBER | RANK | QTY | DESCRIPTION                    | SERIAL NUMBER/REMARKS | SVC |
|------------------|--------------|------|-----|--------------------------------|-----------------------|-----|
| Fig.964          | FM4-1084-000 |      | 1   | FEED DRIVER PCB ASSEMBLY       |                       |     |
| IC               | FK2-1773-000 |      | 2   | IC.TC200GO2EFG-1031,GATE ARRAY | IC17,IC18             |     |

# FIGURE 980 H.V. POWER SUPPLY ASS'Y



| FIGURE & KEY NO. | PARTS NUMBER | R A N K | Q'TY | DESCRIPTION                   | SERIAL NUMBER/REMARKS | S V C |
|------------------|--------------|---------|------|-------------------------------|-----------------------|-------|
| Fig.980          | NPN          |         | RF   | H.V. POWER SUPPLY ASS'Y       |                       |       |
| 1                | FM4-1093-000 |         | 1    | 1ST CHARGE H.V. PCB ASS'Y     |                       |       |
| 2                | FM4-1094-000 |         | 1    | DEVELOPING H.V. PCB ASS'Y     |                       |       |
| 3                | FM4-1106-000 |         | 1    | PRE-TRANSFER CHARGE PCB ASS'Y |                       |       |
| 4                | FM4-4314-000 |         | 1    | CABLE, H.V. MAIN 1ST CORONA   |                       |       |
| 5                | VS1-8412-009 |         | 1    | CONNECTOR, SNAP TIGHT, BL     |                       |       |
| 6                | VS1-8412-025 |         | 1    | CONNECTOR, SNAP TIGHT, BL     |                       |       |

# FIGURE T40 DEVICE PORT ASSEMBLY (EUR)



| FIGURE & KEY NO. | PARTS NUMBER | RANK | QTY | DESCRIPTION              | SERIAL NUMBER/REMARKS | SVC |
|------------------|--------------|------|-----|--------------------------|-----------------------|-----|
| Fig.T40          | NPN          |      | RF  | DEVICE PORT ASSEMBLY     | EUR                   |     |
| 1                | FM4-0721-000 |      | 1   | DEVICE PORT PCB ASSEMBLY |                       |     |

# FIGURE ZZA

## MECHANICAL STANDARD PARTS (HOW TO USE)

### Mechanical standard parts

#### 機械標準部品

##### About a mechanical standard parts

A Mechanical standard parts is a mechanical part which not parts peculiar to a product. They are parts which are common to a Canon product and are used, such as a screw and a washer. The Fig No. and parts number of the mechanical standard parts are not listed in the product parts catalog. Refer to the parts catalog of mechanical standard parts when checking the parts number for screw or washer etc. and identify them by part shape or size.

##### 機械標準部品とは

機械標準部品とは、製品特有の部品ではなく、ねじやワッシャなどキヤノン製品共通で使用されている機械部品（メカ部品）のことです。製品のパーツカタログには、機械標準部品のFig No.や部品番号は記載しておりません。ねじや、ワッシャ等の部品番号を調べるときは、機械標準部品のパーツカタログを参照し、部品の形状や大きさから判断し、使用している部品を調べてください。

##### Material and surface treatment of a mechanical standard parts

Material and surface treatment of mechanical standard parts are assigned commonly for each part. Refer to the Table 1 for the parts which material and surface treatment are assigned as numbers.

##### 機械標準部品の材料および表面処理

機械標準部品の材料および表面処理については、各種部品共通で決められています。材料および表面処理が番号で決められている部品については、表1を参照してください。

Table 1 Material and Surface treatment  
表1 材料および表面処理

| No. 番号 | Material 材料              | Surface treatment 表面処理   | Color 色    |
|--------|--------------------------|--|------------|
| 1      | Stainless steel<br>ステンレス | Stainless steel black coloring (BC4)<br>ステンレス黒着色(BC4)            | Black<br>黒 |
| 2      |                          | not to be given<br>なし  | White<br>白 |
| 3      | Brass<br>黄銅              | Regular nickel plating (NL)<br>普通ニッケルメッキ(NL)                     | White<br>白 |
| 4      |                          | Black nickel plating (BN)<br>黒色ニッケルメッキ(BN)                       | Black<br>黒 |
| 5      | Steel<br>鋼               | White zinc trivalent chromate treating (ZC3)<br>白色亜鉛3価クロメート(ZC3) | White<br>白 |
| 6      |                          | Regular nickel chromium plating (NC)<br>普通ニッケルクロムメッキ(NC)         | White<br>白 |
| 7      |                          | Regular nickel plating (NL)<br>普通ニッケルメッキ(NL)                     | White<br>白 |
| 8      |                          | Iron and steel phosphating (P1)<br>鉄鋼磷酸塩処理(P1)                   | Black<br>黒 |
| 9      |                          | Black zinc trivalent chromate treating (BZ3)<br>黒色亜鉛3価クロメート(BZ3) | Black<br>黒 |

# FIGURE ZZB MECHANICAL STANDARD PARTS (SCREWS)

## 1. Screws ねじ

How to read Parts Numbers  
部品番号の見方

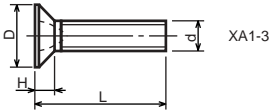
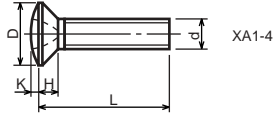
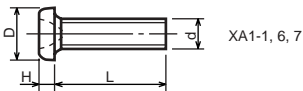
Screws  
ねじ

**XB1-2400-609**

Type No.  
類別番号  
Normal designation (d)  
ねじの呼び(d)  
Length (L)  
ねじの長さ(L)  
Material and Surface treatment  
材料および表面処理

XB1-2 expresses Binding head machine screw.  
XB1-2は、バインドねじを表す  
40 expresses M4.0.  
40は、M4.0を表す  
0-60 expresses a length of 6.0mm.  
0-60は、6.0mmの長さを表す  
9 expresses Steel (Black zinc trivalent chromate  
treating) from Table 1.  
9は、表1より鋼(黒色亜鉛3価クロメート)を表す

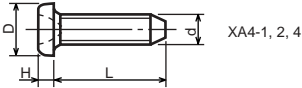
### 1-1. Cross Recessed Head Screws for Precision Equipments 精密機器用十字穴付き小ねじ



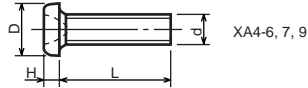
| Type No.<br>類別番号 | Type<br>類別                             | Head size (mm)<br>頭部寸法 (mm) |       |      |      |      |      |      |      |
|------------------|--|-----------------------------|-------|------|------|------|------|------|------|
|                  |  | M1.4                        | M1.6  | M1.7 | M2   | M2.5 | M2.6 |      |      |
| XA1-1            | Pan head Class 1<br>なべ1種               | D                           | XA1-1 | 2    | 2.4  | 2.5  | 3    | 3.8  | 4    |
|                  |  | H                           | XA1-1 | 0.5  | 0.55 | 0.5  | 0.6  | 0.9  | 0.8  |
| XA1-3            | Countersunk head Class 1<br>さら1種       | D                           | XA1-3 | 2    | 2.4  | 2.5  | 3    | 3.8  | 4    |
|                  |  | H                           | XA1-3 | 0.48 | 0.55 | 0.58 | 0.73 | 0.85 | 0.93 |
| XA1-4            | Oval countersunk head Class 1<br>丸さら1種 | D                           | XA1-4 | 2    | 2.4  | 2.5  | 3    | 3.8  | 4    |
|                  |  | H + K                       | XA1-4 | 0.68 | 0.8  | 0.88 | 1    | 1.25 | 1.3  |
| XA1-6            | Pan head Class 3<br>なべ3種               | D                           | XA1-6 | 2.5  | 2.8  | 3    | 3.5  | 4.3  | 4.5  |
|                  |  | H                           | XA1-6 | 0.8  | 0.85 | 0.9  | 1    | 1.3  | 1.2  |
| XA1-7            | Pan head Class 2<br>なべ2種               | D                           | XA1-7 | 2.5  | 2.8  | 3    | 3.5  | 4.3  | 4.5  |
|                  |  | H                           | XA1-7 | 0.5  | 0.55 | 0.5  | 0.6  | 0.9  | 0.8  |



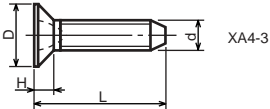
1-2. Precision Tapping Screws  
精密用タッピンねじ



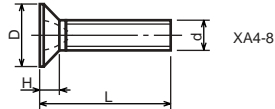
XA4-1, 2, 4



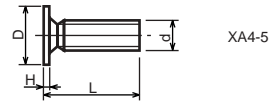
XA4-6, 7, 9



XA4-3



XA4-8



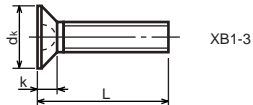
XA4-5

| Type No.<br>類別番号 | Type<br>類別                                      | Head size (mm)<br>頭部寸法 (mm) |      |      |      |      |      |      |
|------------------|---|-----------------------------|------|------|------|------|------|------|
|                  |   | M1.4                        | M1.6 | M1.7 | M2   | M2.5 | M2.6 |      |
| XA4-1            | With tapered end pan head Class 1<br>絞りなべ1種     | D XA4-1                     | 2    | 2.4  | 2.5  | 3    | 3.8  | 4    |
|                  |   | H XA4-1                     | 0.5  | 0.55 | 0.5  | 0.6  | 0.9  | 0.8  |
| XA4-2            | With tapered end pan head Class 3<br>絞りなべ3種     | D XA4-2                     | 2.5  | 2.8  | 3    | 3.5  | 4.3  | 4.5  |
|                  |   | H XA4-2                     | 0.8  | 0.85 | 0.9  | 1    | 1.3  | 1.2  |
| XA4-3            | With tapered end countersunk head<br>絞り-さら      | D XA4-3                     | 2    | 2.4  | 2.5  | 3    | 3.8  | 4    |
|                  |   | H XA4-3                     | 0.48 | 0.55 | 0.58 | 0.73 | 0.85 | 0.93 |
| XA4-4            | With tapered end pan head Class 2<br>絞りなべ2種     | D XA4-4                     | 2.5  | 2.8  | 3    | 3.5  | 4.3  | 4.5  |
|                  |   | H XA4-4                     | 0.5  | 0.55 | 0.5  | 0.6  | 0.9  | 0.8  |
| XA4-5            | With parallel end ultra thin head<br>ストレート-超薄頭  | D XA4-5                     | 2.5  | 2.8  | 3    | -    | -    | -    |
|                  |   | H XA4-5                     | 0.2  | 0.2  | 0.2  | -    | -    | -    |
| XA4-6            | With parallel end pan head Class 1<br>ストレートなべ1種 | D XA4-6                     | 2    | 2.4  | 2.5  | 3    | 3.8  | 4    |
|                  |   | H XA4-6                     | 0.5  | 0.55 | 0.5  | 0.6  | 0.9  | 0.8  |
| XA4-7            | With parallel end pan head Class 3<br>ストレートなべ3種 | D XA4-7                     | 2.5  | 2.8  | 3    | 3.5  | 4.3  | 4.5  |
|                  |   | H XA4-7                     | 0.8  | 0.85 | 0.9  | 1    | 1.3  | 1.2  |
| XA4-8            | With parallel end countersunk head<br>ストレート-さら  | D XA4-8                     | 2    | 2.4  | 2.5  | 3    | 3.8  | 4    |
|                  |   | H XA4-8                     | 0.48 | 0.55 | 0.58 | 0.73 | 0.85 | 0.93 |
| XA4-9            | With parallel end pan head Class 2<br>ストレートなべ2種 | D XA4-9                     | 2.5  | 2.8  | 3    | 3.5  | 4.3  | 4.5  |
|                  |   | H XA4-9                     | 0.5  | 0.55 | 0.5  | 0.6  | 0.9  | 0.8  |

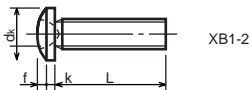
**1-3. Cross Recessed Head Screws**  
 一般用十字穴付き小ねじ



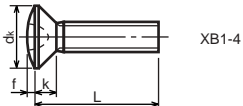
XB1-1



XB1-3



XB1-2

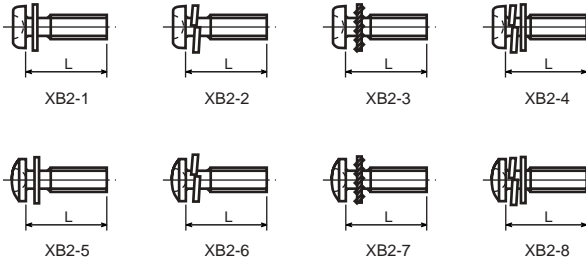


XB1-4

| Type No.<br>類別番号 | Type<br>類別                   |
|------------------|------------------------------|
| XB1-1            | Pan head<br>なべ               |
| XB1-2            | Binding head<br>バインド         |
| XB1-3            | Countersunk head<br>さら       |
| XB1-4            | Oval countersunk head<br>丸さら |

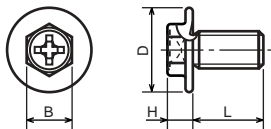
|                              |       | Head size (mm)<br>頭部寸法 (mm) |      |      |      |     |      |
|------------------------------|-------|-----------------------------|------|------|------|-----|------|
|                              |       | M2                          | M2.5 | M2.6 | M3   | M4  | M5   |
| dk                           | XB1-1 | 3.5                         | 4.5  | 4.5  | 5.5  | 7   | 9    |
| k                            | XB1-1 | 1.3                         | 1.7  | 1.7  | 2    | 2.6 | 3.3  |
| dk                           | XB1-2 | 4.3                         | 5.3  | 5.5  | 6.3  | 8.3 | 10.3 |
| k+f                          | XB1-2 | 1.2                         | 1.5  | 1.6  | 1.9  | 2.5 | 3.1  |
| dk                           | XB1-3 | 4                           | 5    | -    | 6    | 8   | 10   |
| k                            | XB1-3 | 1.2                         | 1.45 | -    | 1.75 | 2.3 | 2.8  |
| dk                           | XB1-4 | 4                           | 5    | -    | 6    | 8   | 10   |
| k+f                          | XB1-4 | 1.6                         | 2    | -    | 2.45 | 3.2 | 4    |
| Screw part length<br>ねじ部長さ b | b     | 8                           | 12   | 12   | 12   | 16  | 20   |

1-4. Cross Recessed Head Screws with Captive Washer  
 座金組込み十字穴付き小ねじ



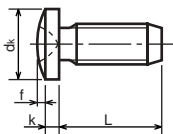
| Type No.<br>類別番号 | Type<br>類別   |
|------------------|--|
| XB2-1            | Pan head + Plain washer (circular bright)<br>なべねじ+平座金                              |
| XB2-2            | Pan head + Spring washer<br>なべねじ+ばね座金  |
| XB2-3            | Pan head + Toothed lock washer<br>なべねじ+歯付座金  |
| XB2-4            | Pan head + Spring washer and plain washer (circular bright)<br>なべねじ+(ばね+平)座金       |
| XB2-5            | Binding head + Plain washer (circular bright)<br>バインドねじ+平座金                        |
| XB2-6            | Binding head + Spring washer<br>バインドねじ+ばね座金  |
| XB2-7            | Binding head + Toothed lock washer<br>バインドねじ+歯付座金                                  |
| XB2-8            | Binding head + Spring washer and plain washer (circular bright)<br>バインドねじ+(ばね+平)座金 |

**1-5. Hexagon Head Tapping Screws for Metallic Materials**  
 金属用六角タッピンねじ



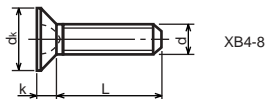
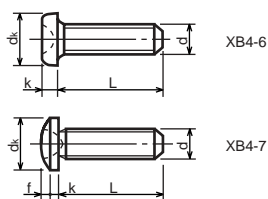
| Type No.<br>類別番号 | Type<br>類別   | Head size (mm)<br>頭部寸法 (mm) |         |
|------------------|--|-----------------------------|---------|
|                  |  | M3                          | M4      |
| XB3-6            | For metallic materials<br>金属用タッピン                  | D                           | 8 10    |
|                  |  | B                           | 5.5 5.5 |
| XB3-7            | For metallic materials with clawed<br>金属用タッピン-つめ付き | H XB3-6                     | 3.1 3.1 |
|                  |  | H XB3-7                     | 3.2 3.2 |

**1-6. Special Tapping Screws**  
 特殊タッピンねじ



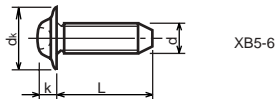
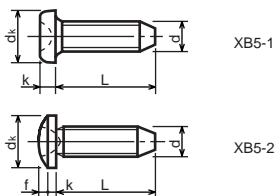
| Type No.<br>類別番号 | Type<br>類別           | Head size (mm)<br>頭部寸法 (mm) |         |
|------------------|----------------------|-----------------------------|---------|
|                  |                      | M3                          | M4      |
| XB4-5            | Binding head<br>バインド | dk                          | 6.3 8.3 |
|                  |                      | k                           | 1.3 1.7 |
|                  |                      | k+f                         | 1.9 2.5 |

1-7. General Head Tapping Screws  
一般用タッピンねじ



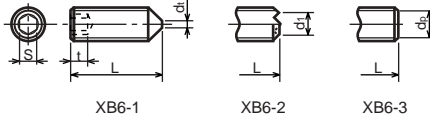
| Type No.<br>類別番号 | Type<br>類別             | Head size (mm)<br>頭部寸法 (mm) |      |      |     |      |     |      |
|------------------|------------------------|-----------------------------|------|------|-----|------|-----|------|
|                  |                        | M2                          | M2.5 | M2.6 | M3  | M4   | M5  |      |
| XB4-6            | Pan head<br>なべ         | d <sub>k</sub> XB4-6        | 3.5  | 4.5  | 4.5 | 5.5  | 7   | 9    |
|                  |                        | k XB4-6                     | 1.3  | 1.7  | 1.7 | 2    | 2.6 | 3.3  |
| XB4-7            | Binding head<br>バインド   | d <sub>k</sub> XB4-7        | 4.3  | 5.3  | 5.5 | 6.3  | 8.3 | 10.3 |
|                  |                        | k+f XB4-7                   | 1.2  | 1.5  | 1.6 | 1.9  | 2.5 | 3.1  |
| XB4-8            | Countersunk head<br>さら | d <sub>k</sub> XB4-8        | 4    | 5    | 5.2 | 6    | 8   | 10   |
|                  |                        | k XB4-8                     | 1.2  | 1.45 | 1.5 | 1.75 | 2.3 | 2.8  |

1-8. Tapping Screws for Metallic Materials  
金属用タッピンねじ



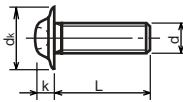
| Type No.<br>類別番号 | Type<br>類別                 | Head size (mm)<br>頭部寸法 (mm) |      |     |      |     |      |
|------------------|----------------------------|-----------------------------|------|-----|------|-----|------|
|                  |                            | M2.5                        | M2.6 | M3  | M4   | M5  |      |
| XB5-1            | Pan head<br>なべ             | d <sub>k</sub> XB5-1        | 4.5  | 4.5 | 5.5  | 7   | 9    |
|                  |                            | k XB5-1                     | 1.7  | 1.7 | 2    | 2.6 | 3.3  |
| XB5-2            | Binding head<br>バインド       | d <sub>k</sub> XB5-2        | 5.5  | 5.5 | 6.3  | 8.3 | 10.3 |
|                  |                            | k+f XB5-2                   | 1.6  | 1.6 | 1.9  | 2.5 | 3.1  |
| XB5-6            | Flanged pan head<br>つば付きなべ | d <sub>k</sub> XB5-6        | 6.5  | 6.5 | 8    | 10  | 12   |
|                  |                            | k XB5-6                     | 2.1  | 2.1 | 1.75 | 3.2 | 4    |

**1-9. Hexagon Socket Set Screws**  
六角穴付止めねじ



| Type No.<br>類別番号 | Type<br>類別         | Head size (mm)<br>頭部寸法 (mm) |      |              |      |      |      |      |     |
|------------------|--------------------|-----------------------------|------|--------------|------|------|------|------|-----|
|                  |                    | M1.6<br>M1.7                | M2   | M2.5<br>M2.6 | M3   | M5   | M5   | M6   |     |
| XB6-1            | Cone point<br>とがり先 | S                           | 0.7  | 0.9          | 1.3  | 1.5  | 2    | 2.5  | 3   |
|                  |                    | t                           | 1.5  | 1.7          | 2    | 2    | 2.5  | 3    | 3.5 |
|                  |                    | $d_{t \max}$ XB6-1          | 0.4  | 0.5          | 0.65 | 0.75 | 1    | 1.25 | 1.5 |
|                  |                    | $d_{l \max}$ XB6-2          | -    | 1.2          | 1.5  | 1.7  | 2.2  | 2.8  | 3.3 |
|                  |                    | $d_{l \min}$ XB6-2          | -    | 1            | 1.2  | 1.4  | 1.9  | 2.4  | 2.9 |
|                  |                    | $d_{p \max}$ XB6-3          | 0.8  | 1            | 1.5  | 2    | 2.5  | 3.5  | 4   |
|                  |                    | $d_{p \min}$ XB6-3          | 0.55 | 0.75         | 1.25 | 1.75 | 2.25 | 3.2  | 3.7 |

**1-10. Flanged Pan Head Machine Screws**  
つば付きなべ小ねじ



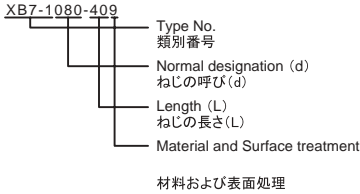
| Type No.<br>類別番号 | Type<br>類別                 | Head size (mm)<br>頭部寸法 (mm) |              |     |     |     |    |
|------------------|----------------------------|-----------------------------|--------------|-----|-----|-----|----|
|                  |                            | M2                          | M2.5<br>M2.6 | M3  | M5  | M5  |    |
| XB6-7            | Flanged pan head<br>つば付きなべ | $d_k$                       | 5            | 6.5 | 8   | 10  | 12 |
|                  |                            | k                           | 1.7          | 2.1 | 2.5 | 3.2 | 4  |

# FIGURE ZZC MECHANICAL STANDARD PARTS (BOLTS)

## 2. Bolts (Socket head cap screw) ボルト

How to read Parts Numbers  
部品番号の見方

Bolt (Socket head cap screw)  
ボルト



XB7-1 expresses Hexagon socket head cap screws.  
XB7-1は、六角穴付きボルトを表す

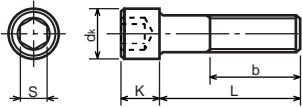
080 expresses M8.0.  
080は、M8.0を表す

40 expresses a length of 40mm.  
40は、40mmの長さを表す

9 expresses Steel (Black zinc trivalent chromate  
treating) from Table 1.

9は、表1より鋼(黒色亜鉛3価クロメート)を表す

### 2-1. Hexagon socket head cap screws 六角穴付きボルト



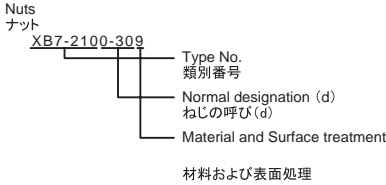
| Type No.<br>類別番号 | Type<br>類別                                 |
|------------------|--|
| XB7-1            | Hexagon socket head cap screws<br>六角穴付きボルト |

|   | Head size (mm)<br>頭部寸法 (mm) |    |     |    |    |     |     |
|---|-----------------------------|----|-----|----|----|-----|-----|
|   | M3                          | M4 | M5  | M6 | M8 | M10 | M12 |
| S   | 2.5                         | 3  | 4   | 5  | 6  | 8   | 10  |
| $d_k$   | 5.5                         | 7  | 8.5 | 10 | 13 | 16  | 18  |
| K   | 3                           | 4  | 5   | 6  | 8  | 10  | 12  |
| Screw part length<br>$b_{max}$<br>ねじ部長さ $b_{max}$ | 18                          | 20 | 22  | 24 | 28 | 32  | 36  |

# FIGURE ZZD MECHANICAL STANDARD PARTS (NUTS)

## 3. Nuts ナット

How to read Parts Numbers  
部品番号の見方



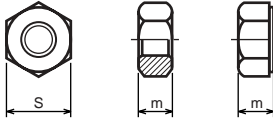
XB7-210 expresses Hexagon nut class 1.  
XB7-210は、六角ナット1種を表す

0-30 expresses M3.0.  
0-30は、M3.0を表す

9 expresses Steel (Black zinc trivalent chromate  
treating) from Table 1.

9は、表1より鋼(黒色亜鉛3価クロメート)を表す

### 3-1. Hexagon Nuts and Hexagon Thin Nuts 六角ナット



| Type No.<br>類別番号 | Type<br>類別   |
|------------------|--|
| XB7-210          | Hexagon nut Class 1<br>六角ナット-1種                          |
| XB7-220          | Hexagon nut Class 3<br>六角ナット-3種                          |
| XB7-230          | Hexagon nut Style 1 double chamfered<br>六角ナット-スタイル1-両面とり |
| XB7-231          | Hexagon nut Style 1 washer faced<br>六角ナット-スタイル1-座付き      |
| XB7-240          | Hexagon nut Style 2 double chamfered<br>六角ナット-スタイル2-両面とり |
| XB7-241          | Hexagon nut Style 2 washer faced<br>六角ナット-スタイル2-座付き      |
| XB7-250          | Hexagon nut<br>六角ナット                                     |
| XB7-260          | Hexagon thin nut double chamfered<br>六角低ナット-両面とり         |
| XB7-270          | Hexagon thin nut not chamfered<br>六角低ナット-面とり無し           |

|                | Head size (mm)<br>頭部寸法 (mm) |      |     |     |     |     |     |
|----------------|-----------------------------|------|-----|-----|-----|-----|-----|
|                | M2                          | M2.5 | M3  | M4  | M5  | M6  | M8  |
| S              | 4                           | 5    | 5.5 | 7   | 8   | 10  | 13  |
| m XB7-210      | 1.6                         | 2    | 2.4 | 3.2 | 4   | 5   | 6.5 |
| m XB7-220      | 1.2                         | 1.6  | 1.8 | 2.4 | 3.2 | 3.6 | 5   |
| m XB7-230, 231 | 1.6                         | 2    | 2.4 | 3.2 | 4.7 | 5.2 | 6.8 |
| m XB7-240, 241 | -                           | -    | -   | -   | 5.1 | 5.7 | 7.5 |
| m XB7-250      | -                           | -    | -   | -   | 5.6 | 6.1 | 7.9 |
| m XB7-260      | 1.2                         | 1.6  | 1.8 | 2.2 | 2.7 | 3.2 | 4   |
| m XB7-270      | 1.2                         | 1.6  | 1.8 | 2.2 | 2.7 | 3.2 | 4   |

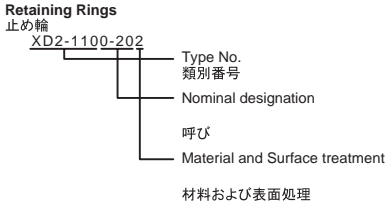


# FIGURE ZZE MECHANICAL STANDARD PARTS (RETAINING RINGS)

## 5. Retaining Rings

止め輪

How to read Parts Numbers  
部品番号の見方



XD2-110 expresses retaining ring-E type (Type1).  
XD2-110は、E形止め輪(1種)を表す

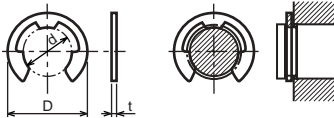
0-20 expresses a 020 of nominal designation.  
(See Table 5)

0-20は、呼び020を表す(表5参照)

2 expresses Stainless steel (Surface treatment is not to be given) from Table 1.  
2は、表1よりステンレス(表面処理なし)を表す

### 5-1. Retaining Rings - E type

E形止め輪

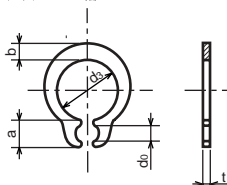


| Type No.<br>類別番号 | Type<br>類別                                    |
|------------------|---|
| XD2-110          | Retaining ring - E type (Type 1)<br>E形止め輪(1種) |
| XD2-120          | Retaining ring - E type (Type 2)<br>E形止め輪(2種) |

Table 5 表5

| Type<br>種類   | Nominal<br>designation<br>呼び | d (mm) | D (mm) | t (mm) |
|--------------|------------------------------|--------|--------|--------|
| Type 1<br>1種 | 007                          | 0.65   | 2      | 0.2    |
|              | 010                          | 0.95   | 2.8    | 0.2    |
|              | 013                          | 1.25   | 3.3    | 0.3    |
|              | 017                          | 1.65   | 4.2    | 0.4    |
|              | 020                          | 1.95   | 4.6    | 0.5    |
|              | 024                          | 2.35   | 6      | 0.6    |
|              | 028                          | 2.74   | 6.5    | 0.6    |
|              | 032                          | 3.14   | 7.2    | 0.6    |
|              | 037                          | 3.64   | 8      | 0.7    |
|              | 040                          | 3.93   | 10     | 0.7    |
|              | 042                          | 4.13   | 10     | 0.7    |
|              | 050                          | 4.93   | 11     | 0.7    |
|              | 058                          | 5.73   | 12     | 0.7    |
|              | 060                          | 5.93   | 12.7   | 0.9    |
|              | 064                          | 6.32   | 13.5   | 0.9    |
|              | 074                          | 7.31   | 15     | 0.9    |
| 080          | 7.91                         | 16.5   | 1      |        |
| Type 2<br>2種 | 008                          | 0.8    | 2      | 0.2    |
|              | 012                          | 1.2    | 3      | 0.3    |
|              | 015                          | 1.5    | 4      | 0.4    |
|              | 020                          | 2      | 5      | 0.4    |
|              | 025                          | 2.5    | 6      | 0.4    |
|              | 030                          | 3      | 7      | 0.6    |
|              | 040                          | 4      | 9      | 0.6    |
|              | 050                          | 5      | 11     | 0.6    |
|              | 060                          | 6      | 12     | 0.8    |
|              | 070                          | 7      | 14     | 0.8    |
|              | 080                          | 8      | 16     | 0.8    |
|              | 090                          | 9      | 18     | 0.8    |
|              | 100                          | 10     | 20     | 1      |

5-2. Grip Rings  
グリップ止め輪

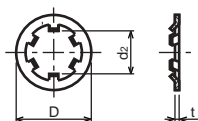


| Type No.<br>類別番号 | Type<br>類別           |
|------------------|----------------------|
| XD2-210          | Grip ring<br>グリップ止め輪 |

Table 5 表5

| Nominal designation<br>呼び | d <sub>3</sub> (mm) | t (mm) | b (mm) | a (mm) | d <sub>0</sub> (mm) |
|---------------------------|---------------------|--------|--------|--------|---------------------|
| 020                       | 1.9                 | 0.5    | 1      | 1.8    | 0.8                 |
| 025                       | 2.35                | 0.5    | 1.2    | 1.9    | 0.9                 |
| 030                       | 2.85                | 0.6    | 1.4    | 1.9    | 0.9                 |
| 035                       | 3.3                 | 0.6    | 1.6    | 2      | 0.9                 |
| 040                       | 3.8                 | 0.8    | 1.8    | 2.8    | 1.2                 |
| 045                       | 4.25                | 0.8    | 2      | 2.9    | 1.3                 |
| 050                       | 4.75                | 0.8    | 2.2    | 2.9    | 1.3                 |
| 060                       | 5.7                 | 1      | 2.4    | 3.1    | 1.4                 |
| 070                       | 6.7                 | 1      | 2.7    | 3.3    | 1.4                 |
| 080                       | 7.7                 | 1      | 3      | 3.5    | 1.4                 |
| 090                       | 8.65                | 1.2    | 3.3    | 4.7    | 1.5                 |
| 100                       | 9.65                | 1.2    | 3.5    | 4.7    | 2                   |

5-3. Toothed Retaining Rings  
歯付き形止め輪



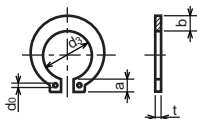
| Type No.<br>類別番号 | Type<br>類別                        |
|------------------|-----------------------------------|
| XD2-230          | Toothed retaining ring<br>歯付き形止め輪 |

Table 5 表5

| Nominal designation<br>呼び | d <sub>z</sub> (mm) | D (mm) | t (mm) | No of teeth<br>歯数 |
|---------------------------|---------------------|--------|--------|-------------------|
| 015                       | 1.4                 | 5.2    | 0.25   | 3                 |
| 020                       | 1.9                 | 6      | 0.25   | 3                 |
| 024                       | 2.3                 | 6.4    | 0.25   | 3                 |
| 030                       | 2.8                 | 8      | 0.25   | 4                 |
| 040                       | 3.8                 | 9      | 0.25   | 4                 |
| 050                       | 4.8                 | 10     | 0.25   | 5                 |
| 060                       | 5.8                 | 11     | 0.25   | 5                 |
| 080                       | 7.8                 | 13     | 0.25   | 5                 |
| 100                       | 9.8                 | 15.4   | 0.25   | 6                 |

### 5-4. Retaining Rings - C Type

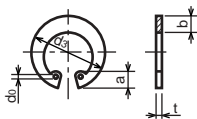
C形止め輪



| Type No.<br>類別番号 | Type<br>類別                                    |
|------------------|---|
| XD2-310          | Retaining ring - C type for shaft<br>C形止め輪 軸用 |

Table 5 表5

| Nominal designation<br>呼び | d <sub>3</sub> (mm) | t (mm) | b (mm) | a (mm) | d <sub>0</sub> (mm) |
|---------------------------|---------------------|--------|--------|--------|---------------------|
| 010                       | 9.3                 | 1      | 1.6    | 3      | 1.2                 |
| 012                       | 11.1                | 1      | 1.8    | 3.2    | 1.5                 |
| 014                       | 12.9                | 1      | 2      | 3.4    | 1.7                 |
| 015                       | 13.8                | 1      | 2.1    | 3.5    | 1.7                 |
| 016                       | 14.7                | 1      | 2.2    | 3.6    | 1.7                 |
| 017                       | 15.7                | 1      | 2.2    | 3.7    | 1.7                 |
| 018                       | 16.5                | 1.2    | 2.6    | 3.8    | 1.7                 |
| 020                       | 18.5                | 1.2    | 2.7    | 3.9    | 2                   |
| 022                       | 20.5                | 1.2    | 2.7    | 4.1    | 2                   |
| 025                       | 23.2                | 1.2    | 3.1    | 4.3    | 2                   |
| 028                       | 25.9                | 1.5    | 3.1    | 4.6    | 2                   |
| 030                       | 27.9                | 1.5    | 3.5    | 4.8    | 2                   |
| 032                       | 29.6                | 1.5    | 3.5    | 5      | 2.5                 |
| 035                       | 32.2                | 1.5    | 4      | 5.4    | 2.5                 |



| Type No.<br>類別番号 | Type<br>類別                                   |
|------------------|--|
| XD2-320          | Retaining ring - C type for hole<br>C形止め輪 穴用 |

Table 5 表5

| Nominal designation<br>呼び | d <sub>3</sub> (mm) | t (mm) | b (mm) | a (mm) | d <sub>0</sub> (mm) |
|---------------------------|---------------------|--------|--------|--------|---------------------|
| 010                       | 10.7                | 1      | 1.8    | 3.1    | 1.2                 |
| 011                       | 11.8                | 1      | 1.8    | 3.2    | 1.2                 |
| 012                       | 13                  | 1      | 1.8    | 3.3    | 1.5                 |
| 014                       | 15.1                | 1      | 2      | 3.6    | 1.7                 |
| 016                       | 17.3                | 1      | 2      | 3.7    | 1.7                 |
| 018                       | 19.5                | 1      | 2.5    | 4      | 1.7                 |
| 019                       | 20.5                | 1      | 2.5    | 4      | 2                   |
| 020                       | 21.5                | 1      | 2.5    | 4      | 2                   |
| 022                       | 23.5                | 1      | 2.5    | 4.1    | 2                   |
| 025                       | 26.9                | 1.2    | 3      | 4.4    | 2                   |
| 028                       | 30.1                | 1.2    | 3      | 4.6    | 2                   |
| 030                       | 32.1                | 1.2    | 3      | 4.7    | 2                   |
| 032                       | 34.4                | 1.2    | 3.5    | 5.2    | 2.5                 |
| 035                       | 37.8                | 1.5    | 3.5    | 5.2    | 2.5                 |
| 037                       | 39.8                | 1.5    | 3.5    | 5.2    | 2.5                 |
| 040                       | 43.5                | 1.8    | 4      | 5.7    | 2.5                 |
| 042                       | 45.5                | 1.8    | 4      | 5.8    | 2.5                 |
| 045                       | 48.5                | 1.8    | 4.5    | 5.9    | 2.5                 |
| 047                       | 50.5                | 1.8    | 4.5    | 6.1    | 2.5                 |
| 050                       | 54.2                | 2      | 4.5    | 6.5    | 2.5                 |
| 052                       | 56.2                | 2      | 5.1    | 6.5    | 2.5                 |
| 055                       | 59.2                | 2      | 5.1    | 6.5    | 2.5                 |
| 060                       | 64.2                | 2      | 5.1    | 6.8    | 2.5                 |
| 062                       | 66.2                | 2      | 5.5    | 6.9    | 2.5                 |
| 068                       | 72.5                | 2.5    | 6      | 7.4    | 2.5                 |
| 072                       | 76.5                | 2.5    | 6.6    | 7.4    | 2.5                 |
| 075                       | 79.5                | 2.5    | 6.6    | 7.8    | 2.5                 |
| 080                       | 85.5                | 2.5    | 7      | 8      | 2.5                 |
| 085                       | 90.5                | 3      | 7      | 8      | 3                   |
| 090                       | 95.5                | 3      | 7.6    | 8.3    | 3                   |
| 095                       | 100.5               | 3      | 8      | 8.5    | 3                   |



Prepared by  
OIP Service Management Center  
CANON INC.

**Canon**