



Carriage Drive Parts

Belt

- 1 1500-0855 'Y' axis drive belt
- 2 C2847-00029 Carriage belt
NO LONGER SUPPLIED

Bracket

- 3 07575-40125 Drive-tensioner bracket - For pen carriage drive belt tensioning wedge
- 4 C1633-60029 Y-drive assembly bracket
NO LONGER SUPPLIED
- 5 C2847-00051 Y-tensioner bracket on left side plate
NO LONGER SUPPLIED

Bushing

- 6 C1633-20034 Bushing for reduction pulley

Cable

- 7 C3180-60007 Trailing cable which connects the main logic board to the carriage board
NO LONGER SUPPLIED

Carriage

- 8 C1633-60120 Carriage assembly - Includes carriage PC board
NO LONGER SUPPLIED
- 9 C2847-60071 Carriage assembly - Includes carriage PC board
NO LONGER SUPPLIED

Link

- 10 C1633-60033 Automatic cartridge adjust linkage
NO LONGER SUPPLIED

Motor

- 11 C2847-60221 Motor assembly - Includes power cable
NO LONGER SUPPLIED

Pulley

- 12 07570-60105 Idler pulley - For main drive belt
- 13 07570-60112 Idler drive pulley - Applies tension to the pen carriage drive belt (small belt)
- 14 C3170-60009 Reduction pulley - Between the motor belt and carriage belt
NO LONGER SUPPLIED

Spring

- 15 1460-2061 Extension spring - Zinc plated music wire, 0.875in long, 0.187in OD, 0.020in wire diameter, 1.8 in/lb rate - For pen carriage drive belt pulley tensioning wedge
NO LONGER SUPPLIED
- 16 1460-2139 Compression tensioner spring - Stainless steel, passivated finish, 41.3mm long, 9.14mm OD, 42um wire diameter, 44.5 N/mm rate - Installed on shaft of tensioning wedge for carriage drive belt idler pulley
NO LONGER SUPPLIED
- 17 C1633-80014 Compression spring - For the rear bushing on the carriage

Wedge

- 18 07550-40104 Tensioning wedge (cam tensioner) - For the pen carriage drive belt pulley
NO LONGER SUPPLIED
- 19 07570-40105 Main tensioning wedge - For the carriage drive belt idler pulley
NO LONGER SUPPLIED

Electronic Accessories

Cable (Interface)

- 17255D RS-232C serial cable - 25 pin (M) to 25 pin (F) - 1.2m (3.9ft) long
NO LONGER SUPPLIED
- 17302A RS-232C serial cable - 25 pin (M) to 8 pin (M) DIN - 1.5m (4.9ft) long
NO LONGER SUPPLIED



Electronic Accessories

Cable (Interface)

24540-80010	Centronics (parallel) cable - 36 pin (M) to 25 pin (M) - 2.0m (6.6ft) long
24542G	RS-232C serial cable - 25 pin (M) to 9 pin (F) - 3.0m (9.8ft) long - Used to connect to HP Vectra and IBM PC/AT compatibles
5063-1256	IEEE-1284 Bi-Tronics parallel cable - DB-25 (M) connector (type A) to 36 pin Centronics (M) connector (type B) - 2.0m (6.6ft) long
5063-1257	IEEE-1284 Bi-Tronics parallel cable - DB-25 (M) connector (type A) to 36 pin Centronics (M) connector (type B) - 3.0m (9.8ft) long
C2913A	RS-232C serial cable - 25 pin (M) to 25 pin (F) - 1.2m (3.9ft) long NO LONGER SUPPLIED
C2950A	IEEE-1284 Bi-Tronics parallel cable - DB-25 (M) connector (type A) to 36 pin Centronics (M) connector (type B) - 2.0m (6.6ft) long
5063-1256	<i>New Part for C2950A</i>
C2951A	IEEE-1284 Bi-Tronics parallel cable - DB-25 (M) connector (type A) to 36 pin Centronics (M) connector (type B) - 3.0m (9.8ft) long
C2990A	IEEE-1284 Bi-Tronics parallel cable - DB-25 (M) (type A) to 36 pin (M) Centronics (type B) - 1.8m (6ft) long NO LONGER SUPPLIED
C2991A	IEEE-1284 Bi-Tronics parallel cable - DB-25 (M) (type A) to 36 pin (M) Centronics (type B) - 3.0m (10ft) long NO LONGER SUPPLIED

Memory (Product)

31	C2065A	4MB, 80nS, 36-bit SIMM memory module - For HP LaserJet IIISi, 4/4M, 4Si/MX NO LONGER SUPPLIED
32	C2066A	8MB, 80nS, 36-bit SIMM memory module - For HP LaserJet IIISi, 4/4M, 4Si/MX

Memory (SIMM)

33	D2152-69001	8MB, 80nS, 36-bit SIMM memory module REQUIRES RETURN OF DEFECTIVE PART
	D2152-63001	<i>New Part for D2152-69001</i>
34	D2156-69001	4MB, 80nS, 36-bit SIMM memory module REQUIRES RETURN OF DEFECTIVE PART
	D2156-63001	<i>New Part for D2156-69001</i>
35	D2381-63001	2MB, 80nS, 36-bit SIMM memory module

Electronics/Power Supply

Cable

36	C2847-60005	Power supply cable - Has 12 pin (F) connectors - 33cm (13 inches) long NO LONGER SUPPLIED
37	C3180-60007	Trailing cable which connects the main logic board to the carriage board NO LONGER SUPPLIED

Control Panel

38	C3180-60010	Control panel - Mounts in control panel support NO LONGER SUPPLIED
----	-------------	---

Ferrite Assembly

39	9170-1535	Split ferrite - Installed inside electronics enclosure NO LONGER SUPPLIED
----	-----------	--

IC ROM

40	1818-6521	Masked ROM - U28 on main logic board (Rev A.01.02) - NOTE: replace EPROM'S (40-pin) U4, U9, U28, & U29 with New masked ROM'S (42-pin) in U28/U29 sockets and leave U4/U9 empty NO LONGER SUPPLIED
41	1818-6522	Masked ROM - U29 on main logic board (Rev A.01.02) - NOTE: replace EPROM'S (40-pin) U4, U9, U28, & U29 with New masked ROM'S (42-pin) in U28/U29 sockets and leave U4/U9 empty NO LONGER SUPPLIED



Electronics/Power Supply

Insulator

42 C3180-60013 Power supply insulator - Installed over power supply board
NO LONGER SUPPLIED

Motor

43 C3180-60005 Stepper motor
NO LONGER SUPPLIED

PC Board

44 0950-2417 Power supply board
NO LONGER SUPPLIED

45 C3180-69102 Main logic board
NO LONGER SUPPLIED

Power Cord

- 8120-0698 Power cord (Black) - 18 AWG, 2.3m (7.5ft) long - Has straight (F) receptacle (For 220V/240V in the USA and Canada)
- 8120-1351 Power cord (Mint Gray) - 17 AWG, 2.3m (7.5ft) long - Has straight (F) receptacle (For 240V in the UK, Hong Kong, Singapore, Malaysia, and Brunei)
- 8120-1369 Power cord (Mint Gray) - 17 AWG, 2.0m (6.6ft) long - Has straight (F) receptacle (For 240V in Australia, New Zealand, and China)
- 8120-1378 Power cord (Jade Gray) - 18 AWG, 2.3m (7.5ft) long - Has straight (F) receptacle (For 120V in USA, Canada, Latin America, Korea, Taiwan, Thailand, Spain, Brazil, and Vietnam)
- 8120-1689 Power cord (Mint Gray) - 17 AWG, 2.0m (6.6ft) long - Has straight (F) receptacle (For 220V in Europe, Bangladesh, Indonesia, Pakistan, Burma, Sri Lanka, and Vietnam)
- 8120-2104 Power cord (Mint Gray) - 2.0m (6.6ft) long - Has straight (F) receptacle (For 220V in Switzerland)
- 8120-2956 Power cord (Mint Gray) - 2.0m (6.6ft) long - Has straight (F) receptacle (For 220V in Denmark)
- 8120-4211 Power cord (Mint Gray) - 17 AWG, 2.0m (6.6ft) long - Has straight (F) receptacle (For 240V in South Africa and India)

Receptacle

54 C3180-60006 AC power receptacle assembly - Includes cable
NO LONGER SUPPLIED

Sensor

55 C3180-60001 Media sensor assembly
NO LONGER SUPPLIED

56 C3180-60009 Sensor - For lift-up view window
NO LONGER SUPPLIED

57 C3180-60034 Pincharm sensor - Includes cable
NO LONGER SUPPLIED

Switch

C3180-60002 Bail switch assembly
NO LONGER SUPPLIED

External Case Parts

Bezel

59 C3180-40014 Front panel bezel - Mounts over front panel
NO LONGER SUPPLIED

Bin

60 C2847-00005 Media bin back - For top of wire rack below plotter
NO LONGER SUPPLIED

61 C2847-00006 Media bin front - Main part of wire rack below plotter
NO LONGER SUPPLIED

62 C2847-00012 Media bin adjust - Adjustable media bottom stop in wire rack
NO LONGER SUPPLIED



External Case Parts

Card

63	C3180-60021	Overlay and help cards for front panel - (English) NO LONGER SUPPLIED
64	C3180-60022	Overlay and help cards for front panel - (Korean) NO LONGER SUPPLIED
65	C3180-60023	Overlay and help cards for front panel - (Taiwan) NO LONGER SUPPLIED
66	C3180-60024	Overlay and help cards for front panel - (German) NO LONGER SUPPLIED
67	C3180-60025	Overlay and help cards for front panel - (French) NO LONGER SUPPLIED
68	C3180-60026	Overlay and help cards for front panel - (Spanish) NO LONGER SUPPLIED
69	C3180-60027	Overlay and help cards for front panel - (Italian) NO LONGER SUPPLIED
70	C3180-60028	Overlay and help cards for front panel - (Japanese) NO LONGER SUPPLIED
71	C3180-60029	Overlay and help cards for front panel - (Portuguese) NO LONGER SUPPLIED
72	C3180-60030	Overlay and help cards for front panel - (Chinese) NO LONGER SUPPLIED

Caster

73	1492-0145	Lockable caster assembly - Includes stem and washer NO LONGER SUPPLIED
----	-----------	---

Cover

74	C3180-00003	Electronics enclosure - The larger of the two metal covers for the area containing the main PC board and power supply NO LONGER SUPPLIED
75	C3180-00004	Electronics enclosure - The smaller of the two metal covers for the area containing the main PC board and power supply NO LONGER SUPPLIED
76	C3180-00005	Cover - Top center of plotter NO LONGER SUPPLIED
77	C3180-40003	Left end cover assembly - For end of upper stand (Chassis) NO LONGER SUPPLIED
78	C3180-40004	Right end cover - For end of upper stand (Chassis) assembly NO LONGER SUPPLIED
79	C3180-60008	Bottom cover NO LONGER SUPPLIED

Cross-Brace

80	C3185-00034	Cross-brace - Main structure that extends between stand legs NO LONGER SUPPLIED
----	-------------	--

Door

81	C3180-40015	Door - On right half of front panel bezel NO LONGER SUPPLIED
82	C3180-40016	Help card lock - Mounts to top of fold out front panel door NO LONGER SUPPLIED

Hardware

83	0570-1316	Machine screw/standoff (Textron R86-20000-382) - 4-40 thread, 9.4mm long, hex head - Steel NO LONGER SUPPLIED
----	-----------	--

Hardware Kit

84	C2847-60061	Hardware kit - Package of 6 screws for stand assembly NO LONGER SUPPLIED
----	-------------	---



External Case Parts

Keypad

85 5041-1203 Power switch keycap (White)

Latch

86 C3180-40019 Latch assembly for top center cover
NO LONGER SUPPLIED

Leg

87 C2847-60002 Leg assembly - Side support with foot bar and 2 casters
NO LONGER SUPPLIED

Nameplate/Logo

88 C3187-00011 Nameplate - DesignJet 200/220 printer
NO LONGER SUPPLIED

Stand

C3192A DesignJet 230/250C Optional Stand (D/A1) - Includes legs, casters and brace - Does NOT include the paper bin
NO LONGER SUPPLIED

Window

90 C3180-60039 Lift-up viewing window assembly
NO LONGER SUPPLIED

Optional Interfaces

Interface (Module)

J4101-61011 External JetDirect 300X print server module (10Base-T and 100Base-T) - Connects between printer parallel port and LAN network - Does NOT include power module - (J4101A, J4101B)

Interface (Product)

J2590A External JetDirect LAN interface module with RJ-45 connector for EtherTwist (10Base-T) or 100VG/802.12 input and 3 parallel (DB-25) output connectors
NO LONGER SUPPLIED

J2591A External JetDirect LAN interface module and power module - Has EtherTwist (10Base-T) and ThinLAN (10Base-2) connectors
NO LONGER SUPPLIED

J3258B External JetDirect 170X LAN interface module - Interfaces a parallel printer to an ethernet 10Base-T (RJ-45) LAN

J3264A External JetDirect 500X token ring interface module - Interfaces up to 3 parallel printers to a token ring (DB-9 or RJ-45) LAN

J3265A External JetDirect 500X LAN interface module - Interfaces up to 3 parallel printers to an ethernet 10Base-T (RJ-45), 10Base2 (BNC), or 100Base-TX (RJ-45) LAN

Module

J2382-69003 External JetDirect LAN interface module with ethertwist (10Base-T) and ThinLAN (10BASE-2) connectors

J2383-61005 External token ring interface module - Has DB-9 connector

J2590-69001 External JetDirect LAN interface module with RJ-45 connector for ethertwist (10Base-T) or 100VG/802.12 input and 3 parallel (DB-25) output connectors
REQUIRES RETURN OF DEFECTIVE PART

J2590-61011 New Part for J2590-69001

J2591-69001 External JetDirect LAN interface module with ethertwist (10Base-T) and ThinLAN (10BASE-2) connectors

J2592-69001 External JetDirect LAN interface module with ethertwist (10Base-T) connector
REQUIRES RETURN OF DEFECTIVE PART

J2592-61001 New Part for J2592-69001

J2593-69001 External JetDirect LAN interface module with Ethertwist (10Base-T) and ThinLAN (10BASE-2) input connectors and 3 parallel (DB-25) output connectors - (part of J2593A)

J2594-69001 External JetDirect token ring interface module with DB-9 and RJ-45 input connectors and 3 parallel (DB-25) output connectors - (part of J2594A)
REQUIRES RETURN OF DEFECTIVE PART

J2594-61011 New Part for J2594-69001



Optional Interfaces

Module

J3258-61011	External JetDirect LAN interface module with EtherTwist (10Base-T) connector - (J3258A, J3258B)
J4102-69011	External JetDirect LAN interface module with EtherTwist (10Base-T) connector - (J4102A, J4102B) REQUIRES RETURN OF DEFECTIVE PART
J4102-61011	<i>New Part for J4102-69011</i>

Module (Product)

J4101B	External JetDirect LAN interface module with EtherTwist (10Base-T/Base-TX) connector
J4102B	External JetDirect LAN interface module with EtherTwist (10Base-T) connector

Power Cord

8120-1351	Power cord (Mint Gray) - 17 AWG, 2.3m (7.5ft) long - Has straight (F) receptacle (For 240V in the UK, Hong Kong, Singapore, Malaysia, and Brunei)
8120-1369	Power cord (Mint Gray) - 17 AWG, 2.0m (6.6ft) long - Has straight (F) receptacle (For 240V in Australia, New Zealand, and China)
8120-1378	Power cord (Jade Gray) - 18 AWG, 2.3m (7.5ft) long - Has straight (F) receptacle (For 120V in USA, Canada, Latin America, Korea, Taiwan, Thailand, Spain, Brazil, and Vietnam)
8120-1689	Power cord (Mint Gray) - 17 AWG, 2.0m (6.6ft) long - Has straight (F) receptacle (For 220V in Europe, Bangladesh, Indonesia, Pakistan, Burma, Sri Lanka, and Vietnam)
8120-2104	Power cord (Mint Gray) - 2.0m (6.6ft) long - Has straight (F) receptacle (For 220V in Switzerland)
8120-2956	Power cord (Mint Gray) - 2.0m (6.6ft) long - Has straight (F) receptacle (For 220V in Denmark)
8120-4753	Power cord (Flint Gray) - 18 AWG, 2.3m (7.5ft) long - Has straight (F) receptacle (For 100V in Japan)
8120-6302	'Daisy chain' power cord (Dove Gray) - 18 AWG, 1.2m (4.0ft) long - Has C14 (M) plug for power input and C13 (F) plug for power output

Power Module

0950-2372	Power supply module - 100-240VAC input, 47-63Hz, requires separate AC power cord - 5VDC output, 1A, 5 watts - For J3282/83A/B
0950-3169	Wall mount power supply module - 110-127V AC 57-63Hz input - 13V DC output at 300mA (USA, Canada) - For use with the J2592A external JetDirect LAN interface module
0950-3170	Power supply module - 209-253VAC input, 47-53Hz - 13VDC output, 300mA (Europe, Israel) - For use with the J2592A external JetDirect LAN interface module
0950-3171	Power supply module - 220-240VAC input, 47-53Hz - 13VDC output, 300mA (U.K., Hong Kong) - For use with the J2592A external JetDirect LAN interface module
0950-3172	Power supply module - 240VAC input, 47-53Hz - 13VDC output, 300mA (Australia) - For use with the J2592A external JetDirect LAN interface module
0950-3348	Wall mount power supply module (MEI-AH ED12006) - 110-127VAC input, 57-63Hz - 13VDC output, 800mA, 10.4 watts (for use in the United States and Canada) - For models J2590/91/93/94A, J2964A, J3258A/B, J3263/64/65A, J3282B, J4101A/B, J4102A/B
0950-3349	Wall mount power supply module (MEI-AH ED12007) - 230VAC input, 47-53Hz - 13VDC output, 800mA, 10.4 watts (for use in Europe and Israel) - For JetDirect/infrared interface models J2590/91/93/94A, J2964A, J3258A/B, J3263/64/65A, J3282B, J4101A/B, J4102A/B
0950-3350	Wall mount power supply module (MEI-AH ED12008) - 220-240VAC input, 47-53Hz - 13VDC output, 800mA, 10.4 watts (for use in the United Kingdom) - For JetDirect/infrared interfaces J2590/91/93/94A, J2964A, J3258A/B, J3263/64/65A, J3282B, J4101A/B, J4102A/B
0950-3351	Wall mount power supply module (MEI-AH ED12009) - 220VAC input, 47-63Hz - 13VDC output, 800mA, 10.4 watts (for use in South Korea) - For JetDirect/infrared interface models J2590/91/93/94A, J2964A, J3258A/B, J3263/64/65A, J3282B, J4101A/B, J4102A/B
0950-3352	Wall mount power supply module (MEI-AH ED12010) - 100VAC input, 47-63Hz - 13VDC output, 800mA, 10.4 watts (for use in Japan) - For JetDirect/infrared interface models J2590/91/93/94A, J2964A, J3258A/B, J3263/64/65A, J3282B, J4101A/B, J4102A/B
0950-3354	Wall mount power supply module (MEI-AH ED12010) - 220-250VAC input, 47-53Hz - 13VDC output, 800mA, 10.4 watts (for use in South Africa) - For JetDirect/infrared interface models J2590/91/93/94A, J2964A, J3258A/B, J3263/64/65A, J3282B, J4101A/B, J4102A/B
9100-5176	Wall mount power supply module (Leader Electronics 48130625HK) - 200VAC input, 48-52Hz - 13VDC output, 625mA (Hong Kong) - For JetDirect Modules and Infrared Interface Models J2590/91/93/94A, J2964A, J3258A/B, J3263/64/65A, J3282B, J4101A/B, J4102A/B

0950-3350 *New Part for 9100-5176*



Other Accessories

CD-ROM (Support)

C7769-90066 DesignJet support CD ROM - Version A.04.01 - Has product information, user's manuals, service manuals, diagnostic software, test drawings, newsletters, and service notes

Card

- 128 C3180-60021 Overlay and help cards for front panel - (English)
NO LONGER SUPPLIED
- 129 C3180-60022 Overlay and help cards for front panel - (Korean)
NO LONGER SUPPLIED
- 130 C3180-60023 Overlay and help cards for front panel - (Taiwan)
NO LONGER SUPPLIED
- 131 C3180-60024 Overlay and help cards for front panel - (German)
NO LONGER SUPPLIED
- 132 C3180-60025 Overlay and help cards for front panel - (French)
NO LONGER SUPPLIED
- 133 C3180-60026 Overlay and help cards for front panel - (Spanish)
NO LONGER SUPPLIED
- 134 C3180-60027 Overlay and help cards for front panel - (Italian)
NO LONGER SUPPLIED
- 135 C3180-60028 Overlay and help cards for front panel - (Japanese)
NO LONGER SUPPLIED
- 136 C3180-60029 Overlay and help cards for front panel - (Portuguese)
NO LONGER SUPPLIED
- 137 C3180-60030 Overlay and help cards for front panel - (Chinese)
NO LONGER SUPPLIED

Cartridge

- 51626A Black print cartridge (High capacity) - Prints approximately 800 pages based on 5% density on an 8in by 10in print area (for USA)
- 51626AA Black print cartridge (High capacity) - Prints approximately 800 pages based on 5% density on a 8inch by 10inch print area (for asia/pacific)
- 51626AC Black print cartridge (High capacity) - Prints approximately 800 pages based on 5% density on a 8inch by 10inch print area (for canada)
- 51626AE Black print cartridge (High capacity) - Prints approximately 800 pages based on 5% density on a 8inch by 10inch print area (for europe)
- 51626AL Black print cartridge (High capacity) - Prints approximately 800 pages based on 5% density on a 8in by 10in print area (for latin america)
- 51626G Black print cartridge (Regular) - Prints approximately 397 pages based on 5% density on an 8in by 10in print area (for USA)
- 51626GA Black print cartridge (Regular) - Prints approximately 397 pages based on 5% density on a 8in by 10in print area (for asia/pacific)
- 51626GC Black print cartridge (Regular) - Prints approximately 397 pages based on 5% density on a 8in by 10in print area (for Canada)
- 51626GE Black print cartridge (Regular) - Prints approximately 397 pages based on 5% density on a 8in by 10in print area (for Europe)
- 51626GL Black print cartridge (Regular) - Prints approximately 397 pages based on 5% density on a 8in by 10in print area (for Latin America)
- 51626TE Black print cartridge (High capacity) - (2 pack of 51626AE) - Each one prints approximately 800 pages based on 5% density on a 8in by 10in print area (for Europe)
- C6611AN Black print cartridges (High capacity) - (2 pack of 51626A) each prints approximately 800 pages based on 5% density on an 8 inch (20.3cm) by 10 inch (25.4cm) print area (for USA)
NO LONGER SUPPLIED



Other Accessories

Envelope

5960-8286 Final exam return envelopes - Contains 10 envelopes

Kit

5182-7322 Maintenance kit - Includes carriage assembly, wiper pad, left bail bracket, reduction pulley, 'Y' belt, and a service station kit

Label

C3195-00057 Safety label - Provides warning that encoder strip is sharp

Lubricant

6040-0855 Synthetic oil - 4oz (113g) plastic bottle

C3190-60155 Grease - For helical gear (Drive roller gear)

Manual

07595-90001 HP-GL reference guide - Programming information
NO LONGER SUPPLIED

5959-9733 HP-GL/2 & HP RTL reference guide - Programming information, handbook for developers

5960-3743 HP RTL reference guide - Programming information

C3180-90001 C3180A & C3181A DesignJet plotter user's guide
NO LONGER SUPPLIED

C3180-90002 C3180A & C3181A DesignJet plotter user's guide (Korean)
NO LONGER SUPPLIED

C3180-90003 C3180A & C3181A DesignJet plotter user's guide (Taiwan)
NO LONGER SUPPLIED

C3180-90004 C3180A & C3181A DesignJet plotter user's guide (German)
NO LONGER SUPPLIED

C3180-90005 C3180A & C3181A DesignJet plotter user's guide (French)
NO LONGER SUPPLIED

C3180-90006 C3180A & C3181A DesignJet plotter user's guide (Spanish)
NO LONGER SUPPLIED

C3180-90007 C3180A & C3181A DesignJet plotter user's guide (Italian)
NO LONGER SUPPLIED

C3180-90008 C3180A & C3181A DesignJet plotter user's guide (Japanese)
NO LONGER SUPPLIED

C3180-90009 C3180A & C3181A DesignJet plotter user's guide (Portuguese)
NO LONGER SUPPLIED

C3180-90010 C3180A & C3181A DesignJet plotter user's guide (Chinese)
NO LONGER SUPPLIED

C3187-90000 C3180/81A & C3187/88A DesignJet plotter service manual
NO LONGER SUPPLIED

Return Kit

5183-5267 Return kit with box and instructions - For returning defective Thermal InkJet (TIJ) 2.0 cartridges covered under the CREW program

Software

C6072-60281 Toolbox and driver software - HP-GL/2 and RTL drivers for Windows 3.1/95/98/NT 4.0 (all DesignJets), and toolbox software for Windows 95/NT 4.0 (Only for DesignJet 430/450C/455CA/1050C/1055CM) - On 3.5-inch 1.44MB floppy disks (English)

C6072-60284 Toolbox and driver software - HP-GL/2 and RTL drivers for Windows 3.1/95/98/NT 4.0 (all DesignJets), and toolbox software for Windows 95/NT 4.0 (Only for DesignJet 430/450C/455CA/1050C/1055CM) - On 3.5-inch 1.44MB floppy disks (German)

C6072-60285 Toolbox and driver software - HP-GL/2 and RTL drivers for Windows 3.1/95/98/NT 4.0 (all DesignJets), and toolbox software for Windows 95/NT 4.0 (Only for DesignJet 430/450C/455CA/1050C/1055CM) - On 3.5-inch 1.44MB floppy disks (French)

C6072-60286 Toolbox and driver software - HP-GL/2 and RTL drivers for Windows 3.1/95/98/NT 4.0 (all DesignJets), and toolbox software for Windows 95/NT 4.0 (Only for DesignJet 430/450C/455CA/1050C/1055CM) - On 3.5-inch 1.44MB floppy disks (Spanish)



Other Accessories

Software

C6072-60287	Toolbox and driver software - HP-GL/2 and RTL drivers for Windows 3.1/95/98/NT 4.0 (all DesignJets), and toolbox software for Windows 95/NT 4.0 (Only for DesignJet 430/450C/455CA/1050C/1055CM) - On 3.5-inch 1.44MB floppy disks (Italian)
C6072-60301	HP-GL/2 driver software for AutoCAD - For DOS and Windows 3.1/95/NT 4.0 - On 3.5-inch 1.44MB floppy disks (English)
C6072-60304	HP-GL/2 driver software for AutoCAD - For DOS and Windows 3.1/95/NT 4.0 - On 3.5-inch 1.44MB floppy disks (German)
C6072-60305	HP-GL/2 driver software for AutoCAD - For DOS and Windows 3.1/95/NT 4.0 - On 3.5-inch 1.44MB floppy disks (French)
C6072-60306	HP-GL/2 driver software for AutoCAD - For DOS and Windows 3.1/95/NT 4.0 - On 3.5-inch 1.44MB floppy disks (Spanish)
C6072-60307	HP-GL/2 driver software for AutoCAD - For DOS and Windows 3.1/95/NT 4.0 - On 3.5-inch 1.44MB floppy disks (Italian)

Training Kit

C3180A+49A-61	Self paced training kit for DesignJet plotters - Includes service manual, NTSC format video (VHS), and ten tests NO LONGER SUPPLIED
C3180A+49A-62	Self paced training kit for C3180/81A DesignJet plotters - Includes service manual, PAL format video (VHS), and ten tests NO LONGER SUPPLIED

Training Test

C3180+49A-90002	Additional self paced training test - Contains 1 test NO LONGER SUPPLIED
-----------------	---

Other Internal Parts

Bracket

184	C1633-00132	Encoder spring bracket NO LONGER SUPPLIED
185	C1633-40093	Encoder strip bracket NO LONGER SUPPLIED
186	C3180-40013	Bracket for bail switch assembly NO LONGER SUPPLIED

Clamp

187	9170-1533	Clamp - Holds ferrite in place within electronics enclosure NO LONGER SUPPLIED
-----	-----------	---

Cover

188	C1633-40003	Service station cover NO LONGER SUPPLIED
-----	-------------	---

Door

189	C1633-00068	Door for tensioner housing NO LONGER SUPPLIED
-----	-------------	--

Fan

190	3160-0814	Tubeaxial fan (Matsushita FBK-09A12M2-MOD) - 12VDC, 35.3cfm - Mounting hole center spacing 82.5mm, 25.5mm thick NO LONGER SUPPLIED
-----	-----------	---

Ferrite Assembly

191	9170-1536	Ferrite ring - Installed on Y-drive assembly bracket NO LONGER SUPPLIED
-----	-----------	--

Guide

192	C2847-00014	Trailing cable front guide (Tray) NO LONGER SUPPLIED
-----	-------------	---



Other Internal Parts

Housing

- 193 C1633-40001 Service station housing - The base of the service station assembly
NO LONGER SUPPLIED
- 194 C1633-40065 Tensioner housing - Holds the tensioner wedge and tensioner spring for the carriage drive belt idler pulley
NO LONGER SUPPLIED
- 195 C3180-40012 Switch housing (mount) - For protecting the power switch

Kit

- 196 C2847-60083 Service station kit - Includes sled, fitting caps, and service station caps
NO LONGER SUPPLIED

Sensor Mechanism

- 197 C3190-60130 Sensor mechanism - Does NOT include the media sensor assembly

Spring

- 198 C1633-00002 Encoder strip spring - Installed on right side of plotter
NO LONGER SUPPLIED
- 199 C1633-80003 Blade spring on right side of trailing cable front guide
NO LONGER SUPPLIED
- 200 C1633-80016 Linkage spring between Y-tensioner bracket and automatic carriage adjust linkage
NO LONGER SUPPLIED
- 201 C3180-80001 Window spring
NO LONGER SUPPLIED

Strip

- 202 C4713-60098 Encoder strip assembly (D-size) - Includes encoder strip and encoder strip spring

Wiper

- 203 C1633-40006 Wiper pad
NO LONGER SUPPLIED
- 204 C3180-60014 Wiper assembly - Includes wiper rocker, wiper rod and wiper pad
NO LONGER SUPPLIED

Paper Drive Parts

Bail

- C3190-60095 Bail assembly - Includes bail, starwheels, and brackets

Bail Lift Mechanism

- 212 C2858-60209 Bail lift mechanism kit - Includes cam gear, engaging lever, engaging lever gear, engaging lever spring, Y-tensioner bracket, bail lift cam, cam gear support, screws, and washers
NO LONGER SUPPLIED

Bracket

- 213 C1633-40037 Right bail bracket
NO LONGER SUPPLIED
- 214 C1633-40038 Left bail bracket
- 215 C2847-00051 Y-tensioner bracket on left side plate
NO LONGER SUPPLIED

Bushing

- 216 C1633-40082 Pincharm spring retaining bushing

Cable

- 217 C2847-60019 Ribbon cable - 5 pin (F) connector to 5 pin (F) connector - 40.3cm (15.9 inches) long
NO LONGER SUPPLIED

Cam

- 218 C1633-40052 Bail lift cam - Activates the bail lift lever (part of the bail lift mechanism kit)
NO LONGER SUPPLIED
- 219 C2847-20005 Pinch arm bar cam (D-size) - Long rod from left to right side of printer - Used to lift the pinch arms



Paper Drive Parts

Cam

- 220 C3180-40020 Pinch arm cam - Attached to pinch arm (Media) lever
- 221 C3190-60149 Left cam journal - Mounted on left end of pincharm shaft

Gear

- 222 C1633-40019 Overdrive gear cluster
- 223 C1633-40027 Bail engaging lever gear
- 224 C1633-40028 Bail lift cam gear
NO LONGER SUPPLIED

Gear Assembly

- 225 C4705-60089 Clutch / overdrive gear assembly

Guide

- C3180-40018 Media guide
NO LONGER SUPPLIED

Handle

- 227 C3180-40017 Handle - Right side of plotter - Raise to load paper
NO LONGER SUPPLIED

Hardware

- 228 0510-0083 Retaining E-ring - 0.250-in diameter, steel zinc-dichromate dip

Lever

- 229 C2847-40013 Bail engaging lever - Used to move engaging lever gear
NO LONGER SUPPLIED

Motor/Gear

- 230 C2848-60003 Motor/encoder assembly (includes helical drive gear) - 'X' axis drive - NOTE: motor and gear are only sold as a set

Mount

- 231 C1633-20006 'X' axis motor mount
NO LONGER SUPPLIED

Overdrive/Bail Kit

- 232 C3190-60138 Overdrive and bail kit - Includes left and right bail brackets, 10 starwheel mount assemblies, bail lift mechanism kit, overdrive roller, overdrive enclosure, media guides
NO LONGER SUPPLIED

Pincharm

- 233 C1633-60039 Pincharm Assembly - Curved black plastic plate with 4 small rubber rollers (Does NOT include spring or bushing)

Platen

- 234 C3180-00002 Entry Platen - Large structure in front of platen roller
NO LONGER SUPPLIED

Roller

- 235 C3190-60040 Overdrive roller - Shaft With rollers - Runs width of plotter
NO LONGER SUPPLIED
- 236 C4699-60042 Paper drive (Platen) roller assembly - Long gear driven roller - Includes roller and mark encoder

Spring

- 237 C1633-80005 Compression spring between pincharm assembly and bushing
- 238 C1633-80006 Bail engaging lever spring
NO LONGER SUPPLIED

Starwheel Mount

- 239 C4713-60035 Starwheel mount assembly - Includes cover, body, spring and two starwheels



Paper Drive Parts

Support

240	C2847-40015	Cam gear support - Supports bail lift cam gear - Mounted on Y-tensioner bracket (Part of the bail lift mechanism kit) NO LONGER SUPPLIED
	C2858-60209	<i>New Part for C2847-40015</i>

Paper and Other Media

Film (Matte)

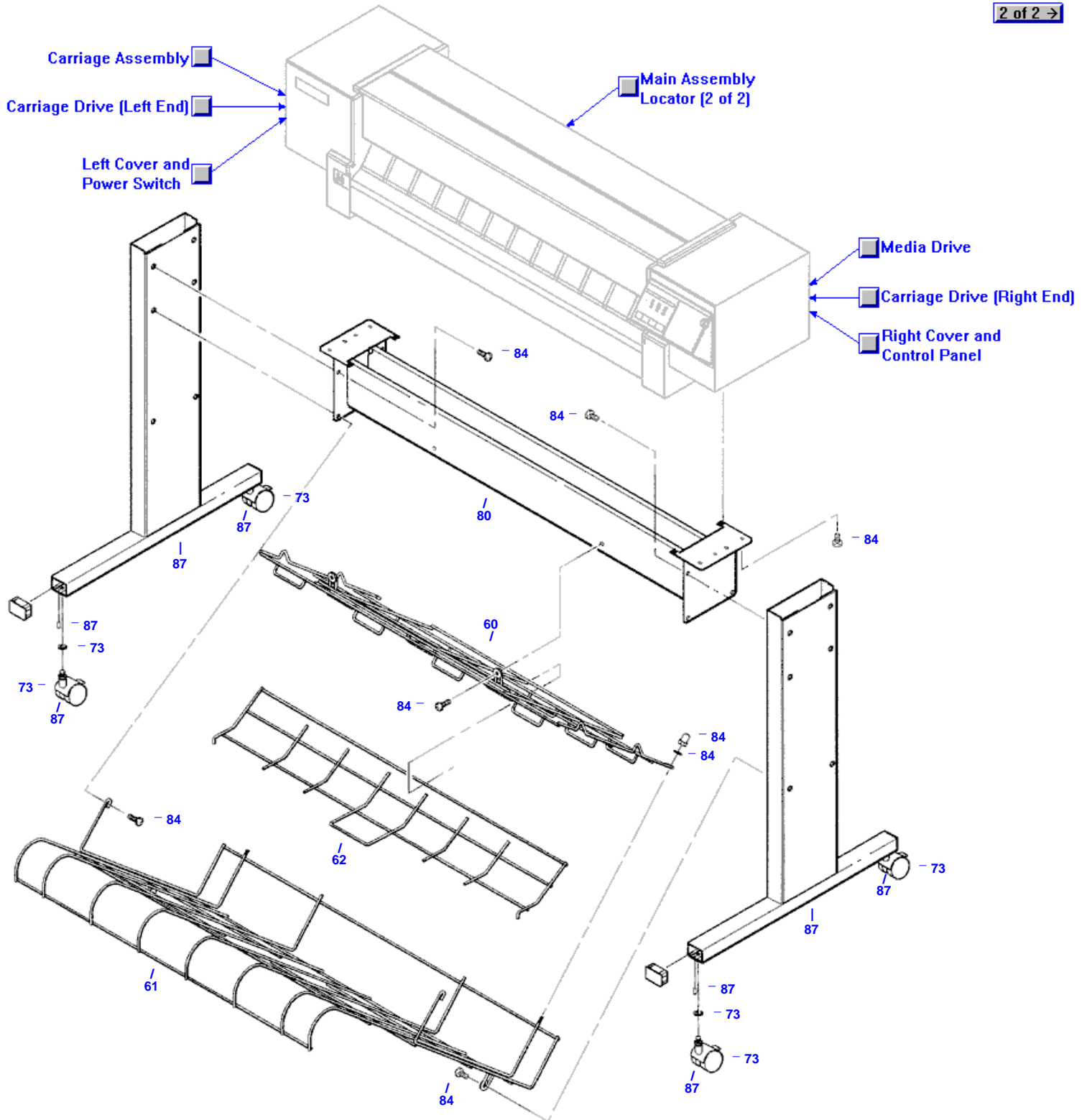
51642C	Polyester matte film - B size (11 x 17-inches) - 40 sheets NO LONGER SUPPLIED
51642A	<i>New Part for 51642C</i>
51642F	Polyester matte film - A3 size (29.7cm x 42.0cm) - 40 sheets NO LONGER SUPPLIED
51642G	Polyester matte film - D size (22 x 34-inches) - 40 sheets NO LONGER SUPPLIED
51642A	<i>New Part for 51642G</i>
51642H	Polyester matte film - A1 size (59.4cm x 84.1cm) - 40 sheets NO LONGER SUPPLIED
51642J	Polyester matte film - Architectural D size (24 x 36-inches) - 40 sheets NO LONGER SUPPLIED
51642A	<i>New Part for 51642J</i>

Paper

C3855A	Opaque bond paper - Architectural D size (24 x 36-inches) - 100 sheets NO LONGER SUPPLIED
C1860A	<i>New Part for C3855A</i>

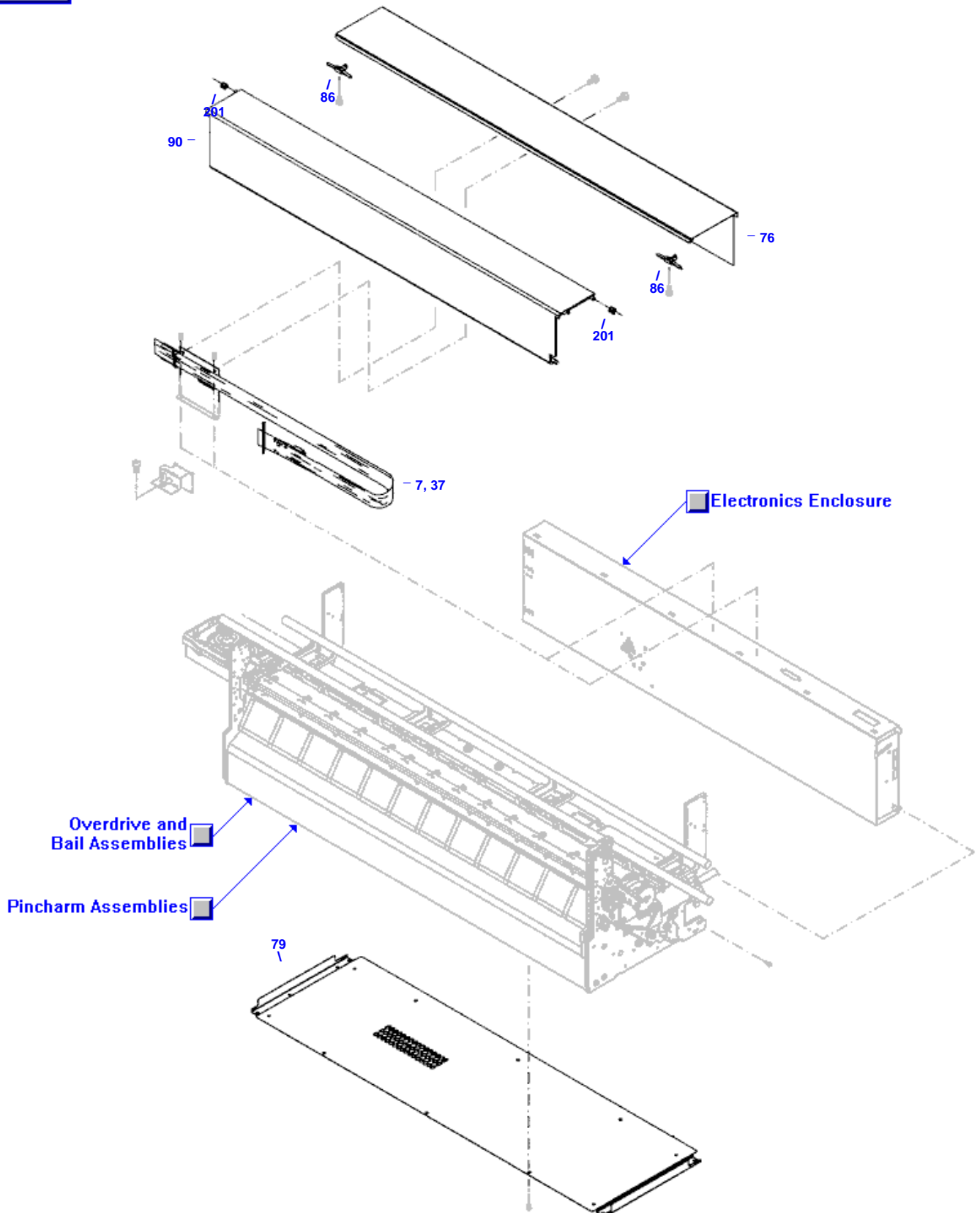
Main Assembly Locator (1 of 2)

2 of 2 →

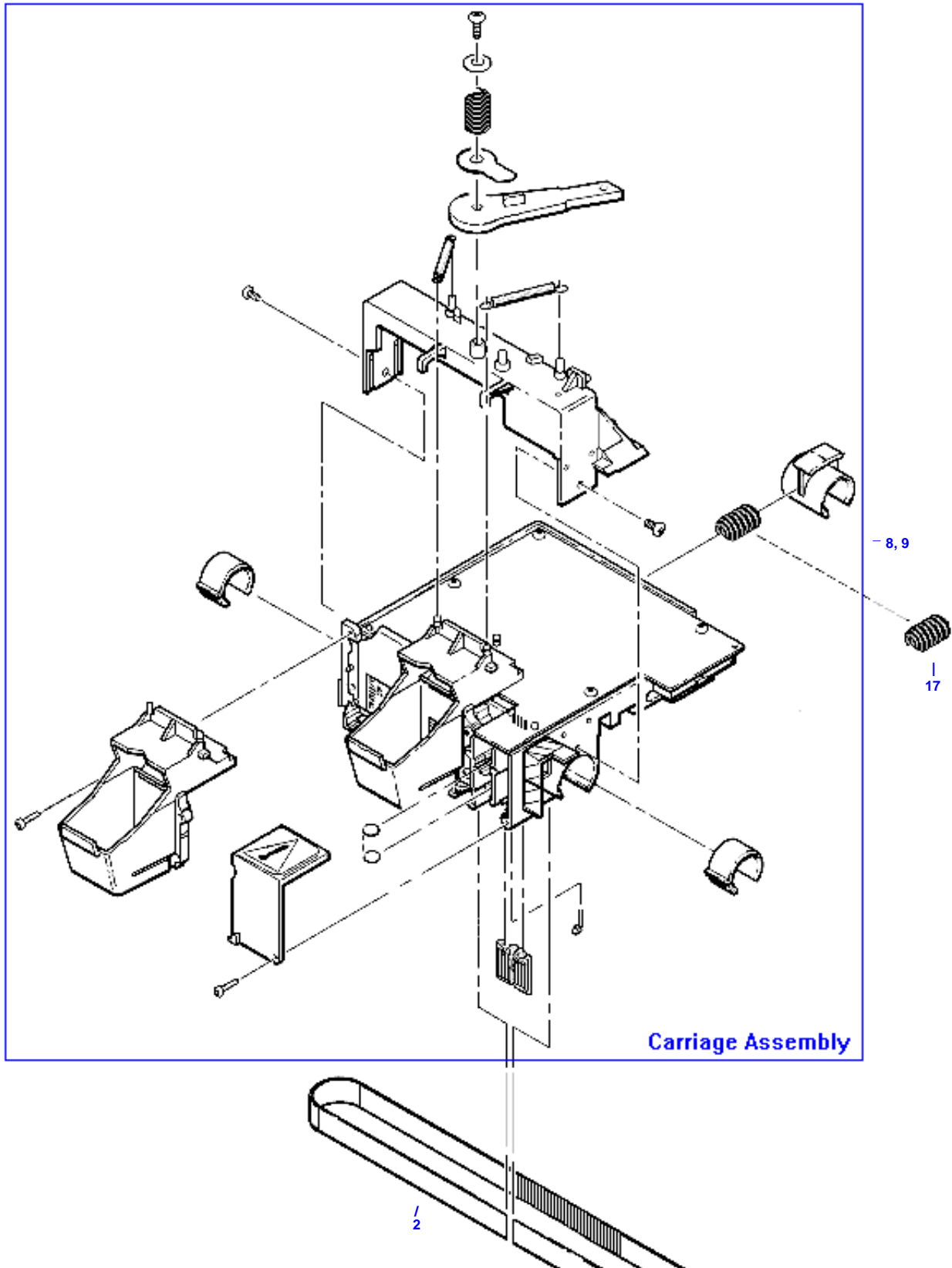


Main Assembly Locator (2 of 2)

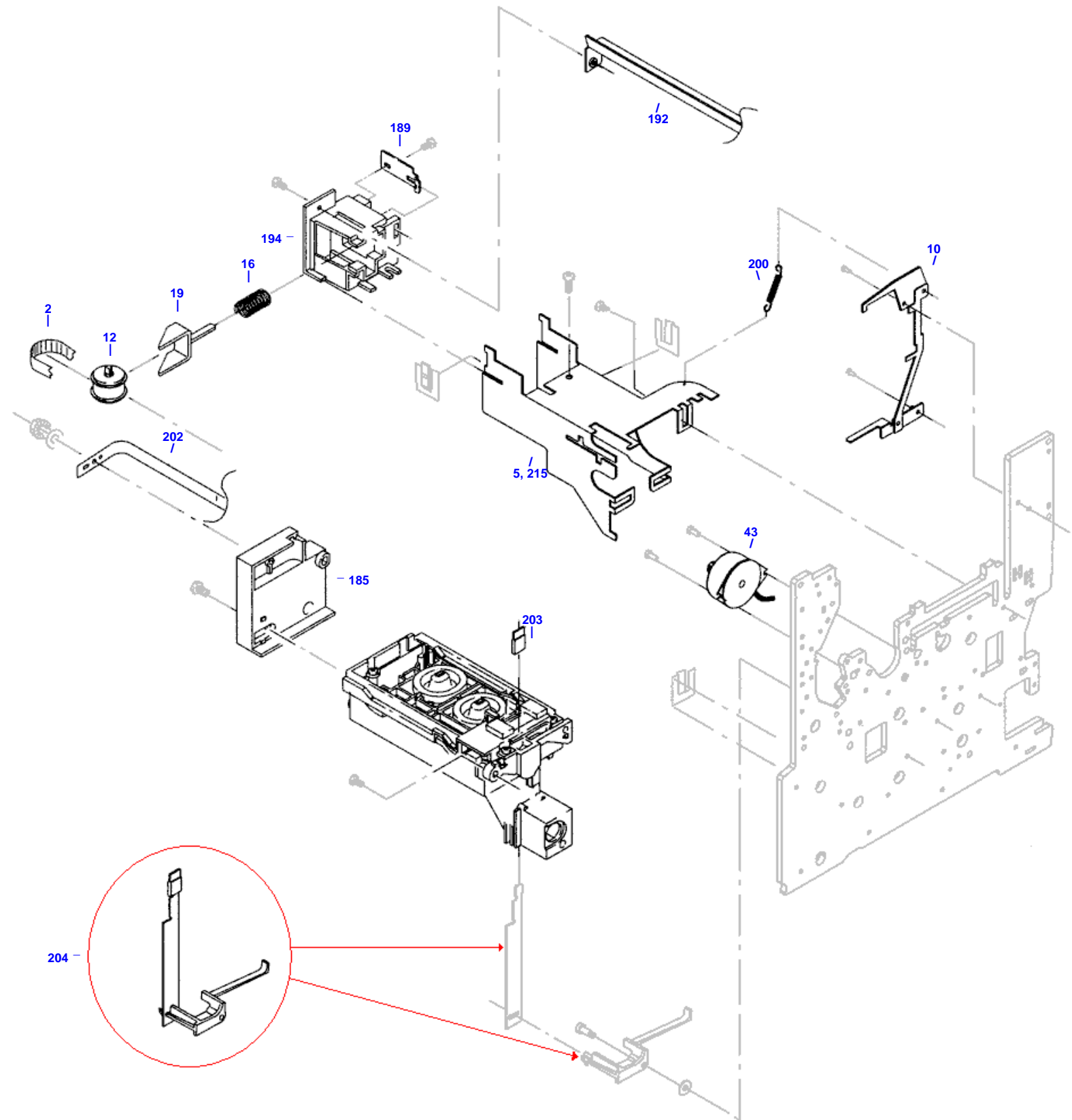
← 1 of 2



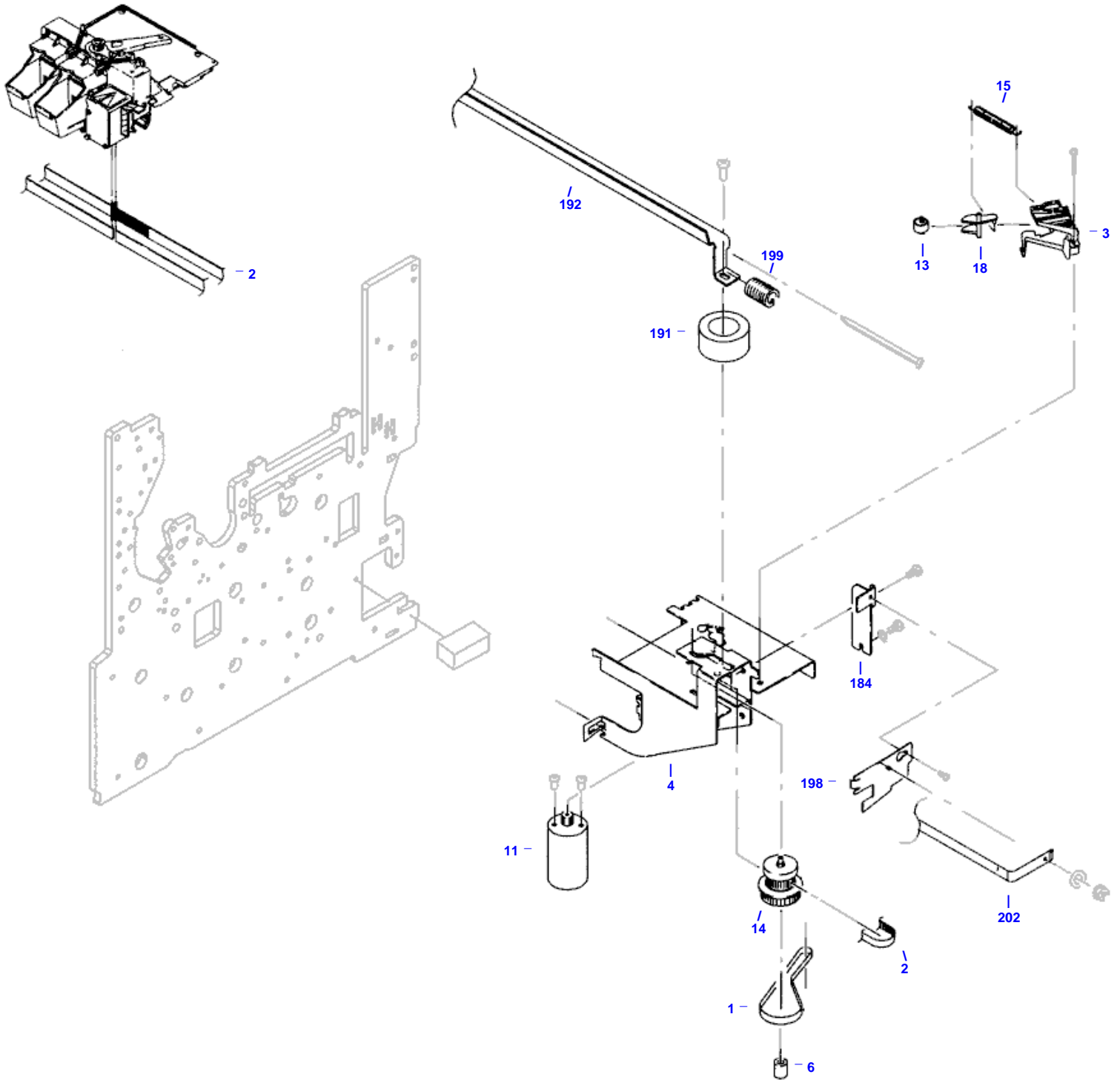
Carriage Assembly



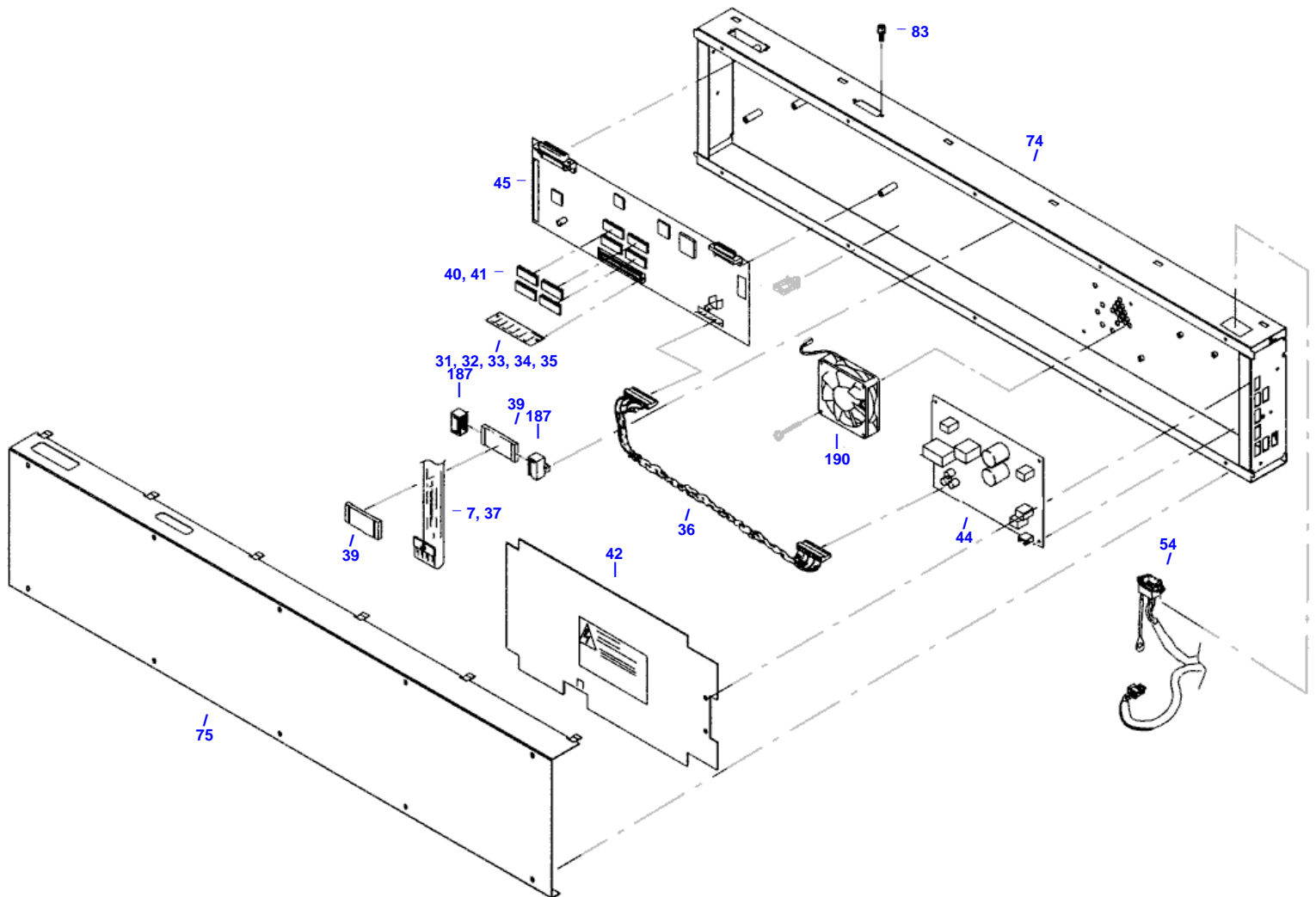
Carriage Drive (Left End)



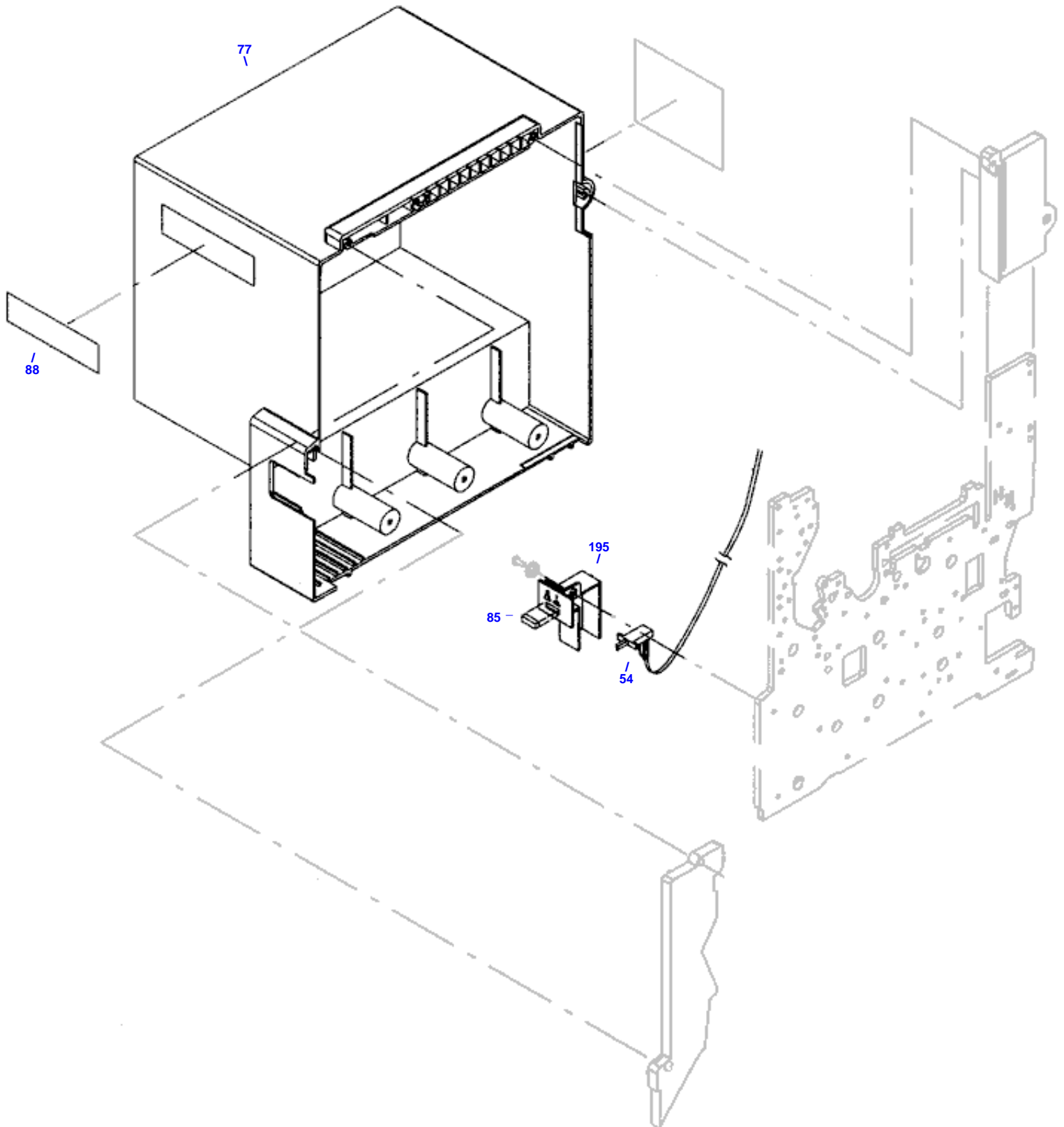
Carriage Drive (Right End)



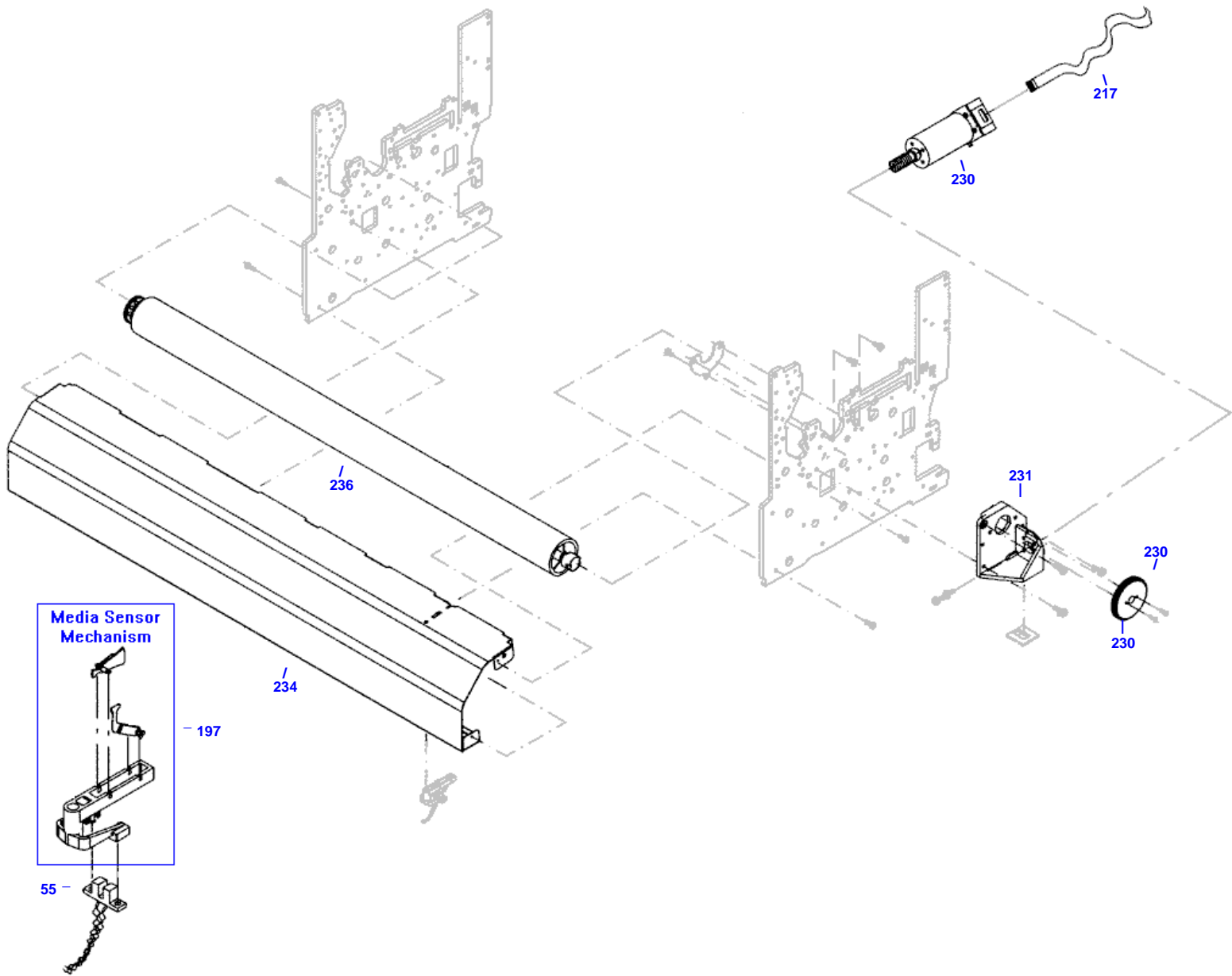
Electronics Enclosure



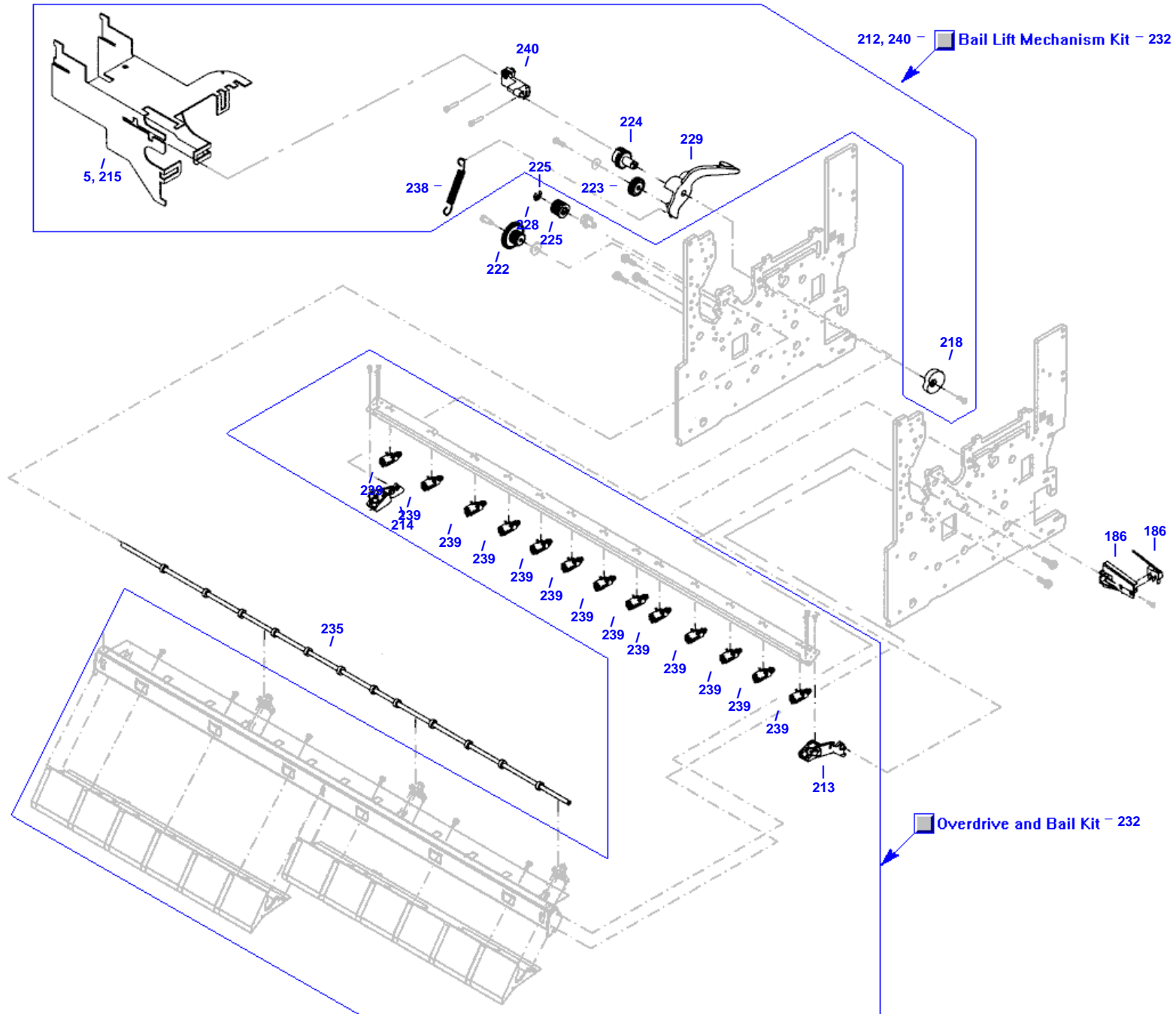
Left Cover and Power Switch



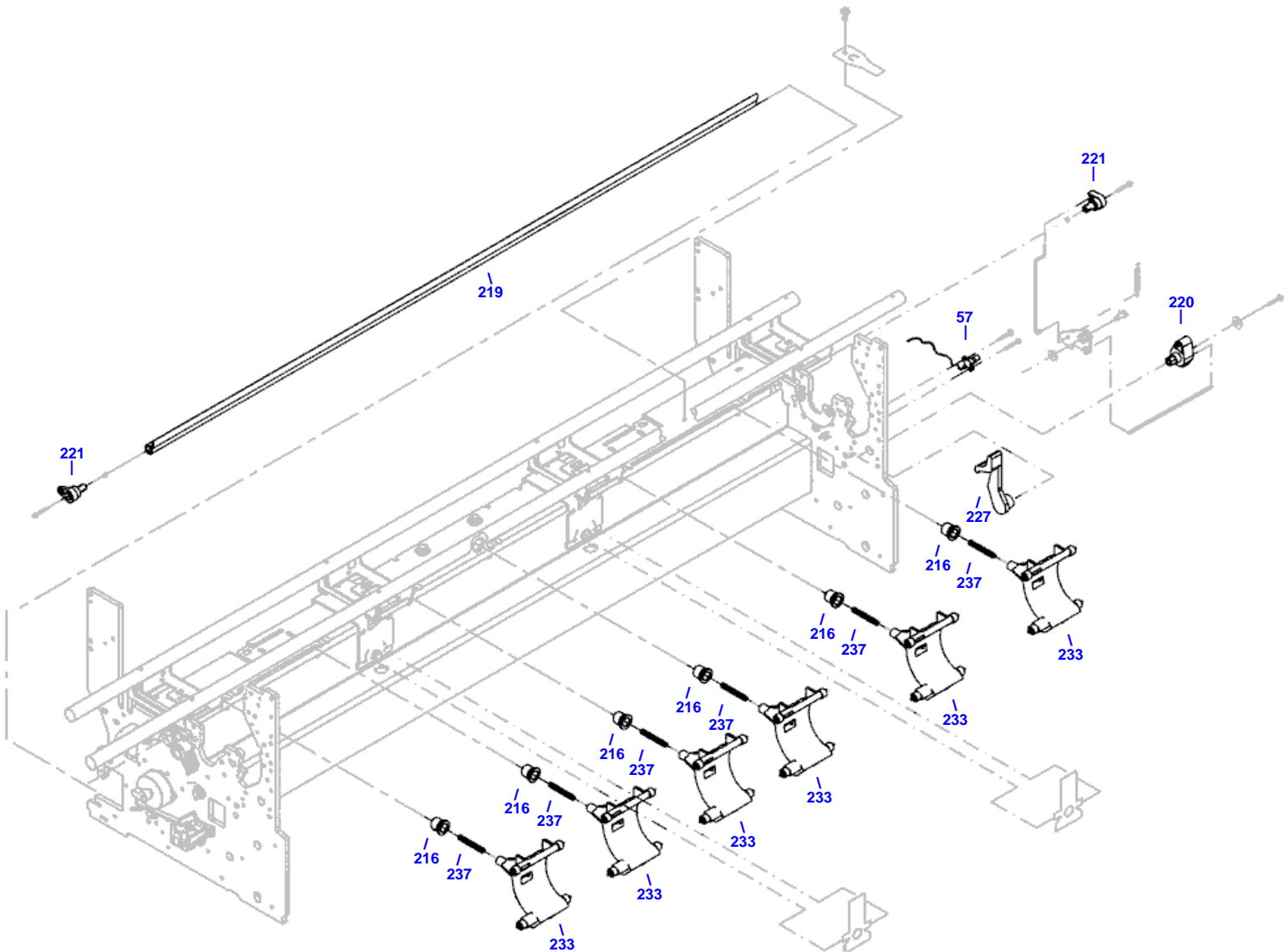
Media Drive



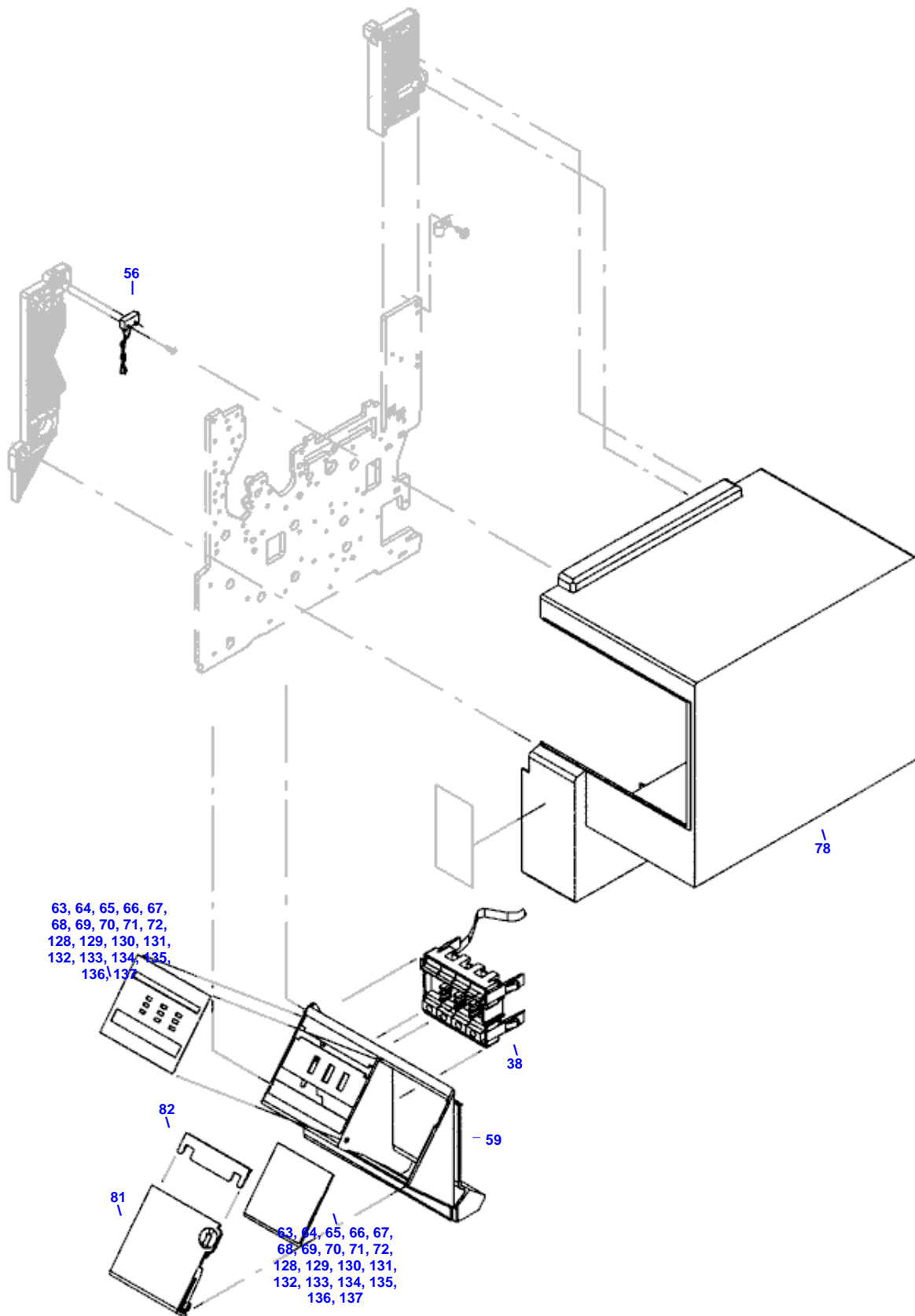
Overdrive and Bail Assemblies



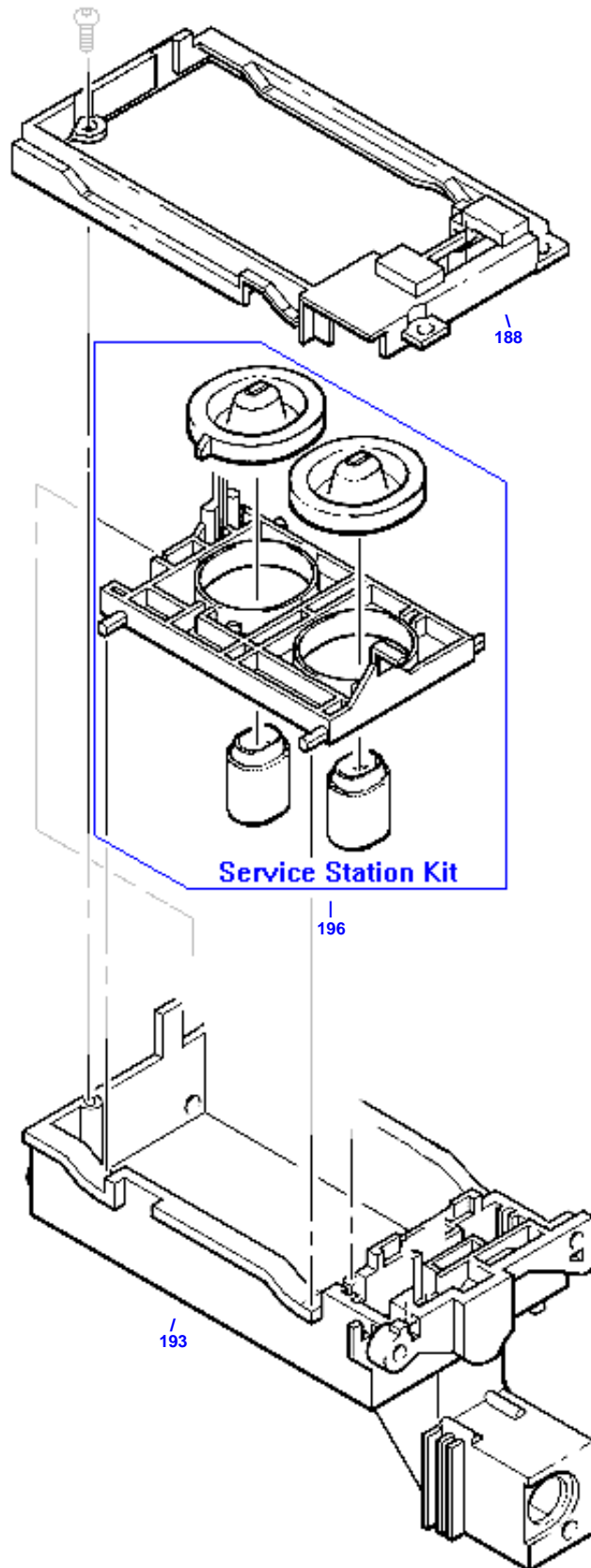
Pincharm Assemblies



Right Cover and Control Panel



Service Station





HP Parts Reference Guide

<http://www.hp.com/go/parts>

HP PartSurfer

<http://partsurfer.hp.com>

HP Parts Ordering Information

<http://www.hp.com/go/hpparts>

HP Parts Questions/Comments

<http://partsurfer.hp.com/contactus.htm>